

Am29BDS640G

Data Sheet



RETIRED
PRODUCT

This product has been retired and is not recommended for designs. For new designs, S29WS064K supersedes Am29BDS640G. Please refer to the S29WS-K family data sheet for specifications and ordering information. Availability of this document is retained for reference and historical purposes only.

The following document contains information on Spansion memory products.

Continuity of Specifications

There is no change to this data sheet as a result of offering the device as a Spansion product. Any changes that have been made are the result of normal data sheet improvement and are noted in the document revision summary.

For More Information

Please contact your local sales office for additional information about Spansion memory solutions.



THIS PAGE LEFT INTENTIONALLY BLANK.

Am29BDS640G

64 Megabit (4 M x 16-Bit), 1.8 Volt-only Simultaneous Read/Write, Burst Mode Flash Memory



Data Sheet

This product has been retired and is not recommended for designs. For new designs, S29WS064K supersedes Am29BDS640G. Please refer to the S29WS-K family data sheet for specifications and ordering information. Availability of this document is retained for reference and historical purposes only.

Distinctive Characteristics

Architectural Advantages

- **Single 1.8 volt read, program and erase (1.65 to 1.95 volt)**
- **Manufactured on 0.17 μm process technology**
- **Enhanced VersatileIO™ (V_{IO}) Feature**
 - Device generates data output voltages and tolerates data input voltages as determined by the voltage on the V_{IO} pin
 - 1.8V and 3V compatible I/O signals
- **Simultaneous Read/Write operation**
 - Data can be continuously read from one bank while executing erase/program functions in other bank
 - Zero latency between read and write operations
 - Four bank architecture: 16Mb/16Mb/16Mb/16Mb
- **Programmable Burst Interface**
 - 2 Modes of Burst Read Operation
 - Linear Burst: 8, 16, and 32 words with wrap-around
 - Continuous Sequential Burst
- **Sector Architecture**
 - Eight 8 Kword sectors and one hundred twenty-six 32 Kword sectors
 - Banks A and D each contain four 8 Kword sectors and thirty-one 32 Kword sectors; Banks B and C each contain thirty-two 32 Kword sectors
 - Eight 8 Kword boot sectors, four at the top of the address range, and four at the bottom of the address range
- **Minimum 1 million erase cycle guarantee per sector**
- **20-year data retention at 125°C**
 - Reliable operation for the life of the system
- **80-ball FBGA package**

PERFORMANCE CHARACTERISTICS

- **Read access times at 54/40 MHz (at 30 pF)**
 - Burst access times of 13.5/20 ns
 - Asynchronous random access times of 70 ns
 - Initial Synchronous access times as fast as 87.5/95 ns

- **Power dissipation (typical values, $C_L = 30$ pF)**

- Burst Mode Read: 10 mA
- Simultaneous Operation: 25 mA
- Program/Erase: 15 mA
- Standby mode: 0.2 μA

Hardware Features

- **Sector Protection**
 - Software command sector locking
- **Handshaking feature available**
 - Provides host system with minimum possible latency by monitoring RDY
- **Hardware reset input (RESET#)**
 - Hardware method to reset the device for reading array data
- **WP# input**
 - Write protect (WP#) function protects sectors 0 and 1 (bottom boot), or sectors 132 and 133 (top boot), regardless of sector protect status
- **ACC input: Acceleration function reduces programming time; all sectors locked when ACC = V_{IL}**
- **CMOS compatible inputs, CMOS compatible outputs**
- **Low V_{CC} write inhibit**

Software Features

- **Supports Common Flash Memory Interface (CFI)**
- **Software command set compatible with JEDEC 42.4 standards**
 - Backwards compatible with Am29F and Am29LV families
- **Data# Polling and toggle bits**
 - Provides a software method of detecting program and erase operation completion
- **Erase Suspend/Resume**
 - Suspends an erase operation to read data from, or program data to, a sector that is not being erased, then resumes the erase operation
- **Unlock Bypass Program command**
 - Reduces overall programming time when issuing multiple program command sequences

General Description

The Am29BDS640G is a 64 Mbit, 1.8 Volt-only, simultaneous Read/Write, Burst Mode Flash memory device, organized as 4,194,304 words of 16 bits each. This device uses a single V_{CC} of 1.65 to 1.95 V to read, program, and erase the memory array. The device supports Enhanced V_{IO} to offer up to 3V compatible inputs and outputs. A 12.0-volt V_{ID} may be used for faster program performance if desired. The device can also be programmed in standard EPROM programmers.

At 54 MHz, the device provides a burst access of 13.5 ns at 30 pF with a latency of 87.5 ns at 30 pF. At 40 MHz, the device provides a burst access of 20 ns at 30 pF with a latency of 95 ns at 30 pF. The device operates within the industrial temperature range of -40°C to +85°C. The device is offered in the 80-ball FBGA package.

The Simultaneous Read/Write architecture provides **simultaneous operation** by dividing the memory space into four banks. The device can improve overall system performance by allowing a host system to program or erase in one bank, then immediately and simultaneously read from another bank, with zero latency. This releases the system from waiting for the completion of program or erase operations.

The device is divided as shown in the following table:

Bank	Quantity	Size
A	4	8 Kwords
	31	32 Kwords
B	32	32 Kwords
C	32	32 Kwords
D	31	32 Kwords
	4	8 Kwords

The Enhanced VersatileIO™ (V_{IO}) control allows the host system to set the voltage levels that the device generates at its data outputs and the voltages tolerated at its data inputs to the same voltage level that is asserted on the V_{IO} pin. This allows the device to operate in 1.8 V and 3 V system environments as required.

The device uses Chip Enable (CE#), Write Enable (WE#), Address Valid (AVD#) and Output Enable (OE#) to control asynchronous read and write operations. For burst operations, the device additionally requires Ready (RDY), and Clock (CLK). This implementation allows easy interface with minimal glue logic to a wide range of microprocessors/microcontrollers for high performance read operations.

The burst read mode feature gives system designers flexibility in the interface to the device. The user can preset the burst length and wrap through the same memory space, or read the flash array in continuous mode.

The clock polarity feature provides system designers a choice of active clock edges, either rising or falling. The active clock edge initiates burst accesses and determines when data will be output.

The device is entirely command set compatible with the **JEDEC 42.4 single-power-supply Flash standard**. Commands are written to the command register using standard microprocessor write timing. Register contents serve as inputs to an internal state-machine that controls the erase and programming circuitry. Write cycles also internally latch addresses and data needed for the programming and erase operations. Reading data out of the device is similar to reading from other Flash or EPROM devices.

The **Erase Suspend/Erase Resume** feature enables the user to put erase on hold for any period of time to read data from, or program data to, any sector that is not selected for erasure. True background erase can thus be achieved.

The **hardware RESET# pin** terminates any operation in progress and resets the internal state machine to reading array data. The RESET# pin may be tied to the system reset circuitry. A system reset would thus also reset the device, enabling the system microprocessor to read boot-up firmware from the Flash memory device.

The host system can detect whether a program or erase operation is complete by using the device status bit DQ7 (Data# Polling) and DQ6/DQ2 (toggle bits). After a program or erase cycle has been completed, the device automatically returns to reading array data.

The **sector erase architecture** allows memory sectors to be erased and reprogrammed without affecting the data contents of other sectors. The device is fully erased when shipped from the factory.

Hardware data protection measures include a low V_{CC} detector that automatically inhibits write operations during power transitions. The device also offers two types of data protection at the sector level. The **sector lock/unlock command sequence** disables or re-enables both program and erase operations in any sector. When at V_{IL} , **WP#** locks sectors 0 and 1 (bottom boot device) or sectors 132 and 133 (top boot device).

The device offers two power-saving features. When addresses have been stable for a specified amount of time, the device enters the **automatic sleep mode**. The system can also place the device into the **standby mode**. Power consumption is greatly reduced in both modes.

Spansion flash technology combines years of flash memory manufacturing experience to produce the highest levels of quality, reliability and cost effectiveness. The device electrically erases all bits within a sector simultaneously via Fowler-Nordheim tunnelling. The data is programmed using hot electron injection.

Table of Contents

Product Selector Guide	6	Configuration Register	30
Block Diagram	7	Table 12. Burst Mode Configuration Register	30
Block Diagram of Simultaneous		Sector Lock/Unlock Command Sequence	30
Operation Circuit	8	Reset Command	31
Connection Diagram	9	Autoselect Command Sequence	31
Special Handling Instructions for FBGA Package	9	Program Command Sequence	32
Input/Output Descriptions	10	Unlock Bypass Command Sequence	32
Logic Symbol	10	Figure 2. Erase Operation.....	33
Ordering Information	11	Chip Erase Command Sequence	34
Device Bus Operations	12	Sector Erase Command Sequence	34
Table 1. Device Bus Operations	12	Erase Suspend/Erase Resume Commands	35
Enhanced VersatileIO™ (V _{IO}) Control	12	Figure 3. Program Operation.....	36
Requirements for Asynchronous Read		Command Definitions	37
Operation (Non-Burst)	12	Table 13. Command Definitions	37
Requirements for Synchronous (Burst) Read Operation	13	Write Operation Status	38
8-, 16-, and 32-Word Linear Burst with Wrap Around	14	DQ7: Data# Polling	38
Table 2. Burst Address Groups	14	Figure 4. Data# Polling Algorithm.....	39
Burst Mode Configuration Register	14	RDY: Ready	40
Reduced Wait-State Handshaking Option	14	DQ6: Toggle Bit I	40
Simultaneous Read/Write Operations with Zero Latency	15	Figure 5. Toggle Bit Algorithm.....	41
Writing Commands/Command Sequences	15	DQ2: Toggle Bit II	41
Accelerated Program Operation	15	Table 14. DQ6 and DQ2 Indications	42
Autoselect Functions	16	Reading Toggle Bits DQ6/DQ2	42
Standby Mode	16	DQ5: Exceeded Timing Limits	42
Automatic Sleep Mode	16	DQ3: Sector Erase Timer	43
RESET#: Hardware Reset Input	16	Table 15. Write Operation Status	43
Output Disable Mode	17	Absolute Maximum Ratings	44
Hardware Data Protection	17	Figure 6. Maximum Negative Overshoot Waveform	44
Write Protect (WP#)	17	Figure 7. Maximum Positive	
Low V _{CC} Write Inhibit	17	Overshoot Waveform.....	44
Write Pulse “Glitch” Protection	18	Operating Ranges	44
Logical Inhibit	18	DC Characteristics	45
Power-Up Write Inhibit	18	Test Conditions	46
V _{CC} and V _{IO} Power-up And Power-down Sequencing	18	Figure 8. Test Setup	46
Common Flash Memory Interface (CFI)	18	Table 16. Test Specifications	46
Table 3. CFI Query Identification String	19	Key to Switching Waveforms	46
System Interface String.....	19	Switching Waveforms	46
Table 5. Device Geometry Definition.....	20	Figure 9. Input Waveforms and Measurement Levels.....	46
Table 6. Primary Vendor-Specific Extended Query	21	AC Characteristics	47
Table 7. Sector Address Table	22	Figure 10. V _{CC} and V _{IO} Power-up Diagram.....	47
Command Definitions	26	AC Characteristics	48
Reading Array Data	26	Synchronous/Burst Read	48
Set Burst Mode Configuration Register Command Sequence	26	Figure 11. CLK Synchronous Burst Mode Read	
Figure 1. Synchronous/Asynchronous State Diagram	27	(rising active CLK).....	49
Read Mode Setting	27	Figure 12. CLK Synchronous Burst Mode Read	
Programmable Wait State Configuration	27	(Falling Active Clock)	50
Table 8. Programmable Wait State Settings	28	Figure 13. Synchronous Burst Mode Read.....	51
Reduced Wait-State Handshaking Option	28	Figure 14. 8-word Linear Burst with Wrap Around.....	51
Table 9. Initial Access Cycles vs. Frequency	28	Figure 15. Burst with RDY Set One Cycle Before Data.....	52
Standard Handshaking Operation	29	Figure 16. Reduced Wait-State Handshaking Burst	
Table 10. Wait States for Standard Handshaking	29	Mode Read Starting at an Even Address	53
Burst Read Mode Configuration	29	Figure 17. Reduced Wait-State Handshaking Burst Mode Read	
Table 11. Burst Read Mode Settings	29	Starting at an Odd Address.....	54
Burst Active Clock Edge Configuration	29	Asynchronous Read	55
RDY Configuration	30	Figure 18. Asynchronous Mode Read with Latched Addresses .	55
		Figure 19. Asynchronous Mode Read.....	56
		Figure 20. Reset Timings.....	57
		Figure 21. Asynchronous Program Operation Timings	59

Figure 22. Alternate Asynchronous Program Operation Timings	60	Figure 32. Example of Wait States Insertion (Standard Handshaking Device)	69
Figure 23. Synchronous Program Operation Timings	61	Figure 33. Back-to-Back Read/Write Cycle Timings	70
Figure 24. Alternate Synchronous Program Operation Timings	62	Erase and Programming Performance	71
Figure 25. Chip/Sector Erase Command Sequence	63	FBGA Ball Capacitance	71
Figure 26. Accelerated Unlock Bypass Programming Timing	64	Data Retention	71
Figure 27. Data# Polling Timings (During Embedded Algorithm)	65	Physical Dimensions	72
Figure 28. Toggle Bit Timings (During Embedded Algorithm)	65	FBE080—80-ball Fine-Pitch Ball Grid Array (FBGA)	
Figure 29. Synchronous Data Polling Timings/ Toggle Bit Timings	66	II x 12 mm Package	72
Figure 30. Latency with Boundary Crossing	67		
Figure 31. Latency with Boundary Crossing into Program/Erase Bank	68		

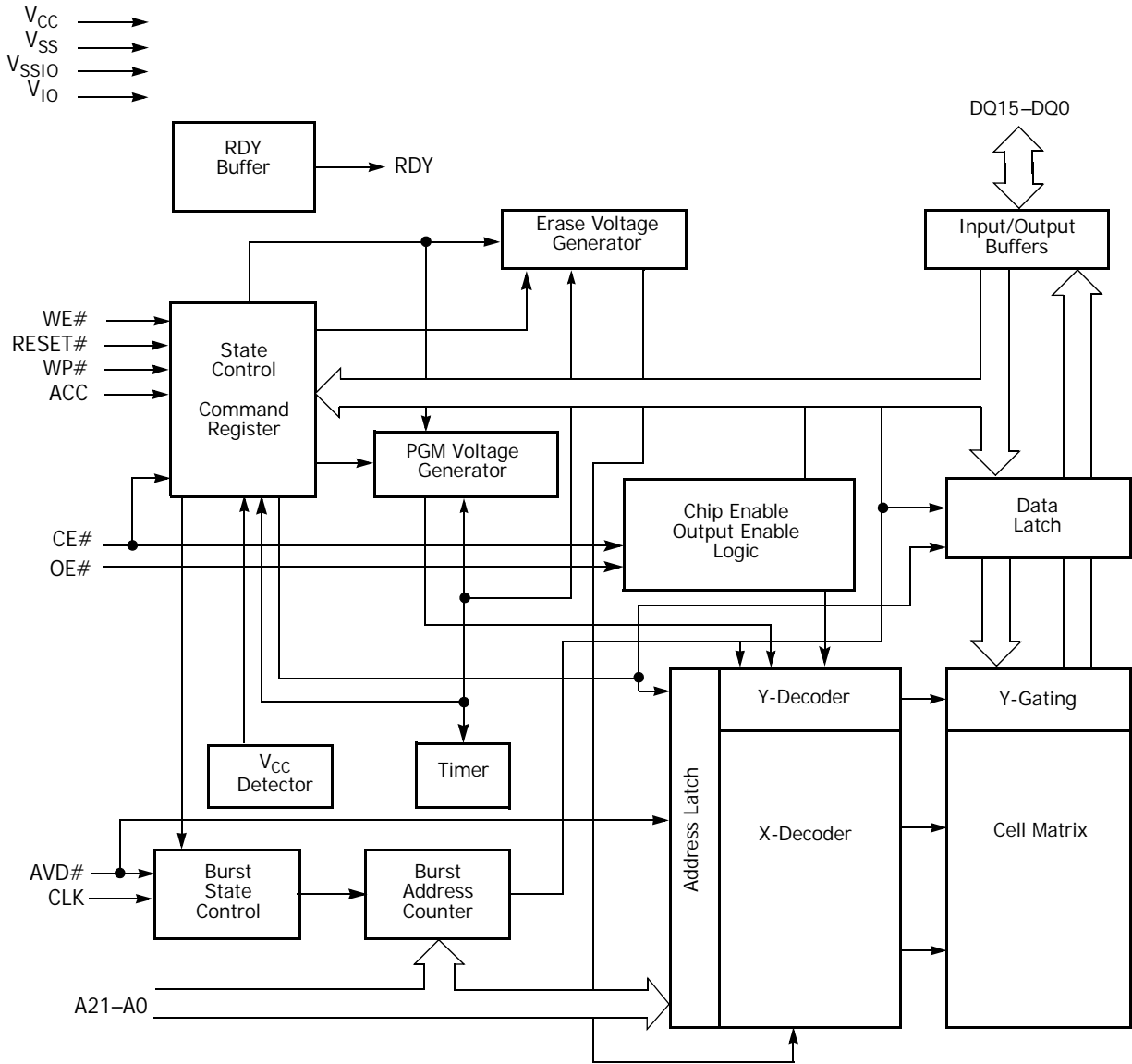
Product Selector Guide

Part Number	Am29BDS640G		
Burst Frequency		54 MHz	40 MHz
Speed Option	$V_{CC} = 1.65 - 1.95 \text{ V}$, $V_{IO} = 2.7 - 3.15 \text{ V}$	D3, D4	C3, C4
	$V_{CC}, V_{IO} = 1.65 - 1.95 \text{ V}$	D8, D9	C8, C9
Max Initial Synchronous Access Time, ns (t_{IACC}) Reduced Wait-state Handshaking: Even Address		87.5	95
Max Initial Synchronous Access Time, ns (t_{IACC}) Reduced Wait-state Handshaking: Odd Address; or Standard Handshaking		106	120
Max Burst Access Time, ns (t_{BACC})		13.5	20
Max Asynchronous Access Time, ns (t_{ACC})		70	90
Max CE# Access, ns (t_{CE})			
Max OE# Access, ns (t_{OE})		13.5	20

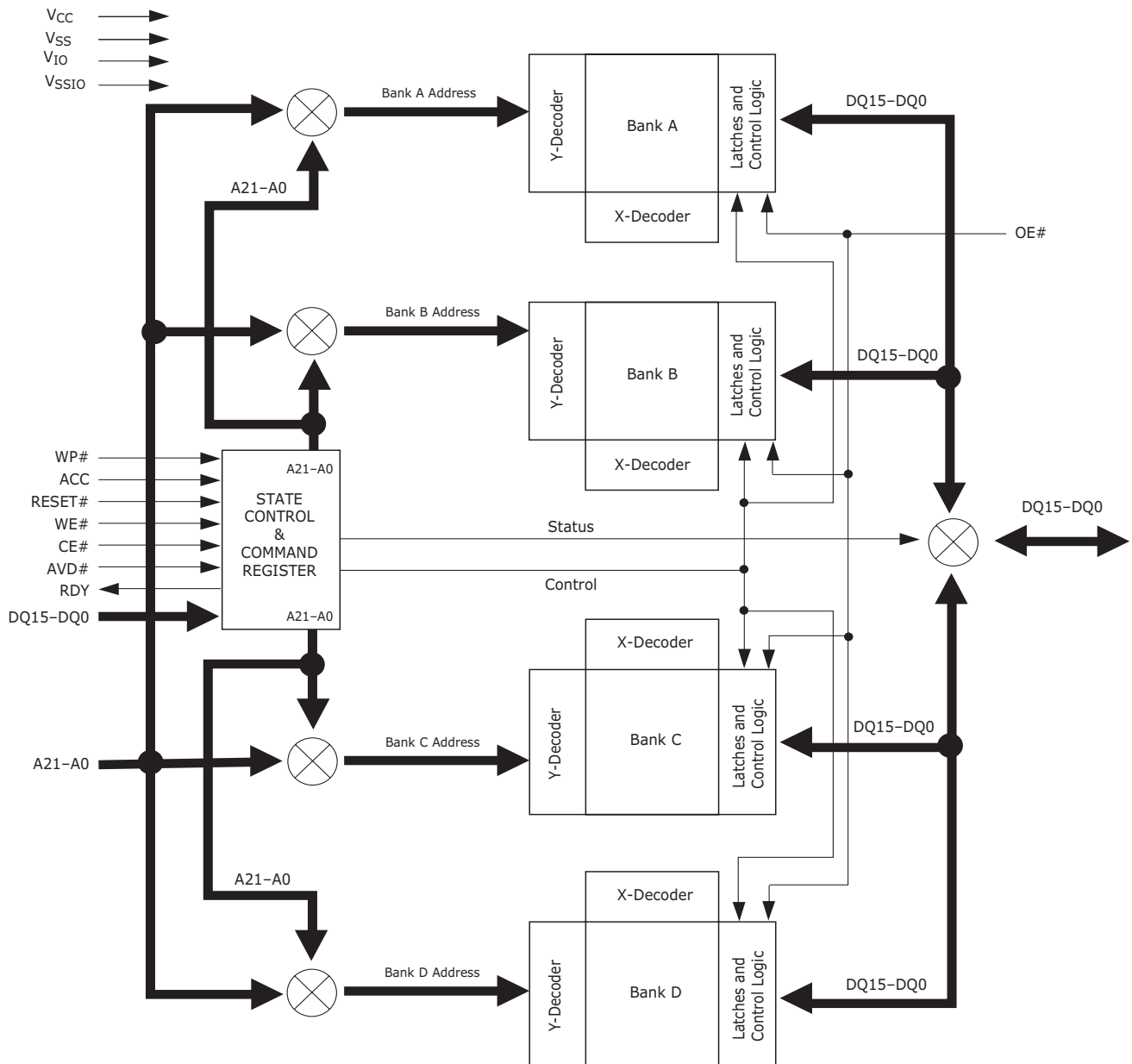
Notes:

1. Speed Options ending in "3" and "8" indicate the "reduced wait-state handshaking" option, which speeds initial synchronous accesses for even addresses.
2. Speed Options ending in "4" and "9" indicate the "standard handshaking" option.
3. See the AC Characteristics section of this datasheet for full specifications.

Block Diagram

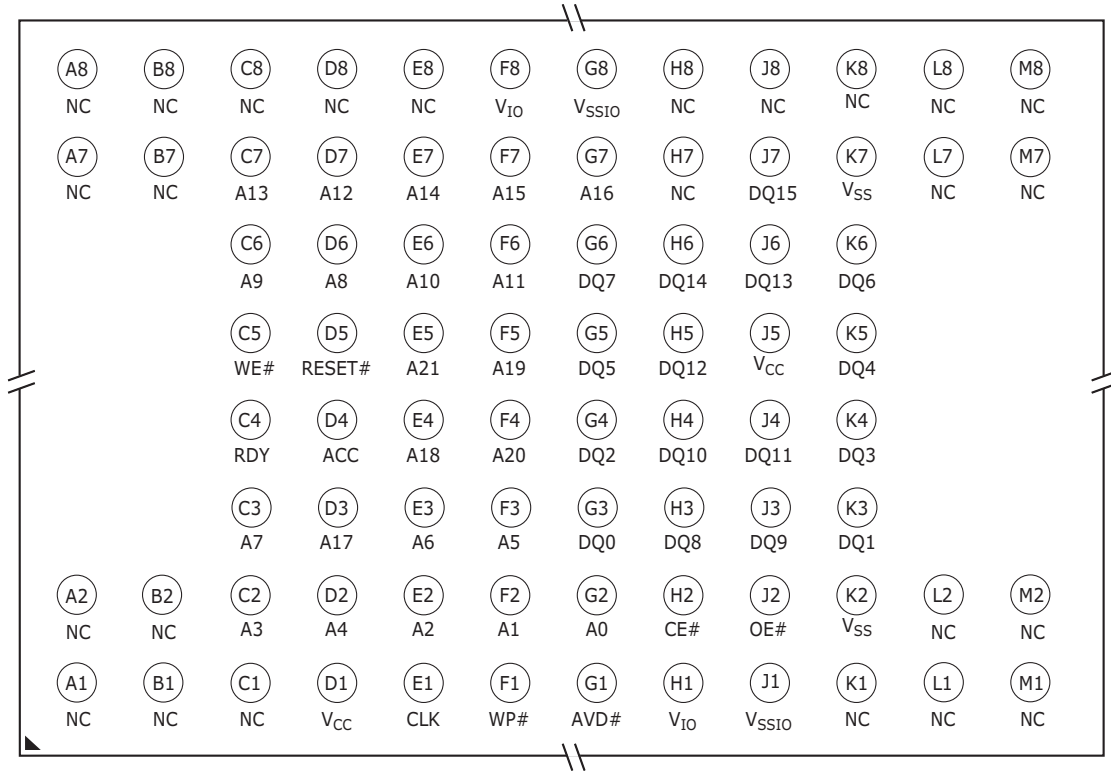


Block Diagram of Simultaneous Operation Circuit



Connection Diagram

80-ball Fine-Pitch Ball Grid Array
(Top View, Balls Facing Down)



Special Handling Instructions for FBGA Package

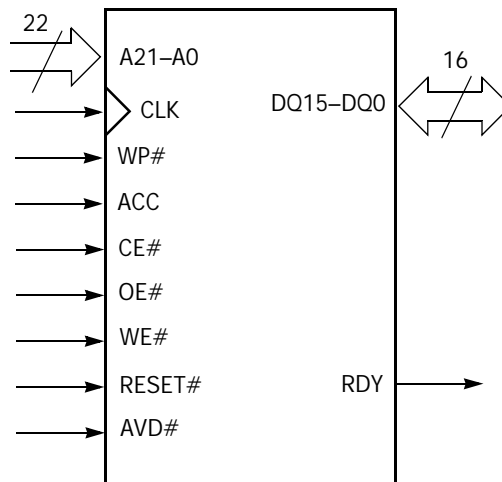
Special handling is required for Flash Memory products in FBGA packages.

Flash memory devices in FBGA packages may be damaged if exposed to ultrasonic cleaning methods. The package and/or data integrity may be compromised if the package body is exposed to temperatures above 150°C for prolonged periods of time.

Input/Output Descriptions

A21-A0	=	Address inputs
DQ15-DQ0	=	Data input/output
CE#	=	Chip Enable input. Asynchronous relative to CLK for the Burst mode.
OE#	=	Output Enable input. Asynchronous relative to CLK for the Burst mode.
WE#	=	Write Enable input.
V _{CC}	=	Device Power Supply (1.65 – 1.95 V).
V _{IO}	=	Input & Output Buffer Power Supply (either 1.65 – 1.95 V or 2.7 – 3.15 V).
V _{SS}	=	Ground
V _{SSIO}	=	Output Buffer Ground
NC	=	No Connect; not connected internally
RDY	=	Ready output; indicates the status of the Burst read. Low = data not valid at expected time. High = data valid.
CLK	=	CLK is not required in asynchronous mode. In burst mode, after the initial word is output, subsequent active edges of CLK increment the internal address counter.
AVD#	=	Address Valid input. Indicates to device that the valid address is present on the address inputs (A21–A0). Low = for asynchronous mode, indicates valid address; for burst mode, causes starting address to be latched. High = device ignores address inputs
RESET#	=	Hardware reset input. Low = device resets and returns to reading array data
WP#	=	Hardware write protect input. At V _{IL} , disables program and erase functions in the two outermost sectors. Should be at V _{IH} for all other conditions.
ACC	=	At V _{ID} , accelerates programming; automatically places device in unlock bypass mode. At V _{IL} , locks all sectors. Should be at V _{IH} for all other conditions.








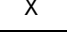
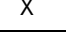
Logic Symbol



Device Bus Operations

This section describes the requirements and use of the device bus operations, which are initiated through the internal command register. The command register itself does not occupy any addressable memory location. The register is composed of latches that store the commands, along with the address and data information needed to execute the command. The contents of the register serve as inputs to the internal state machine. The state machine outputs dictate the function of the device. Table 1 lists the device bus operations, the inputs and control levels they require, and the resulting output. The following subsections describe each of these operations in further detail.

Table 1. Device Bus Operations

Operation	CE#	OE#	WE#	A21–0	DQ15–0	RESET#	CLK (See Note)	AVD#
Asynchronous Read - Addresses Latched	L	L	H	Addr In	I/O	H	X	
Asynchronous Read - Addresses Steady State	L	L	H	Addr In	I/O	H	X	L
Asynchronous Write	L	H	L	Addr In	I/O	H	L	L
Synchronous Write	L	H	L	Addr In	I/O	H		
Standby (CE#)	H	X	X	HIGH Z	HIGH Z	H	X	X
Hardware Reset	X	X	X	HIGH Z	HIGH Z	L	X	X
Burst Read Operations								
Load Starting Burst Address	L	X	H	Addr In	X	H		
Advance Burst to next address with appropriate Data presented on the Data Bus	L	L	H	HIGH Z	Burst Data Out	H		H
Terminate current Burst read cycle	H	X	H	HIGH Z	HIGH Z	H		X
Terminate current Burst read cycle via RESET#	X	X	H	HIGH Z	HIGH Z	L	X	X
Terminate current Burst read cycle and start new Burst read cycle	L	X	H	HIGH Z	I/O	H		

Legend: L = Logic 0, H = Logic 1, X = Don't Care, S = Stable Logic 0 or 1 but no transitions.

Note: Default active edge of CLK is the rising edge.

Enhanced VersatileIO™ (V_{IO}) Control

The Enhanced VersatileIO (V_{IO}) control allows the host system to set the voltage levels that the device generates at its data outputs and the voltages tolerated at its data and address inputs to the same voltage level that is asserted on the V_{IO} pin. The device is available with either 1.65–1.95 or 2.7–3.15 V_{IO}. This allows the device to operate in 1.8 V or 3 V system environments as required.

For example, a V_{IO} of 2.7 – 3.15 volts allows for I/O at the 3 volt level, driving and receiving signals to and from other 3 V devices on the same bus.

Requirements for Asynchronous Read Operation (Non-Burst)

To read data from the memory array, the system must first assert a valid address on A21–A0, while driving AVD# and CE# to V_{IL}. WE# should remain at V_{IH}. The rising edge of AVD# latches the address. The data will appear on DQ15–DQ0.

Since the memory array is divided into four banks, each bank remains enabled for read access until the command register contents are altered.

Address access time (t_{ACC}) is equal to the delay from stable addresses to valid output data. The chip enable access time (t_{CE}) is the delay from the stable addresses and stable CE# to valid data at the outputs. The output enable access time (t_{OE}) is the delay from the falling edge of OE# to valid data at the output.

The internal state machine is set for reading array data upon device power-up, or after a hardware reset. This ensures that no spurious alteration of the memory content occurs during the power transition.

Requirements for Synchronous (Burst) Read Operation

The device is capable of continuous sequential burst operation and linear burst operation of a preset length. When the device first powers up, it is enabled for asynchronous read operation.

Prior to entering burst mode, the system should determine how many wait states are desired for the initial word (t_{IACC}) of each burst access, what mode of burst operation is desired, which edge of the clock will be the active clock edge, and how the RDY signal will transition with valid data. The system would then write the burst mode configuration register command sequence. See "Set Burst Mode Configuration Register Command Sequence" and "Command Definitions" for further details.

Once the system has written the "Set Burst Mode Configuration Register" command sequence, the device is enabled for synchronous reads only.

The initial word is output t_{IACC} after the active edge of the first CLK cycle. Subsequent words are output t_{BACC} after the active edge of each successive clock cycle, which automatically increments the internal address counter. Note that the device has a fixed internal address boundary that occurs every 64 words, starting at address 00003Fh. During the time the device is outputting data at this fixed internal address boundary (address 00003Fh, 00007Fh, 0000BFh, etc.), a two cycle latency occurs before data appears for the next address (address 000040h, 000080h, 0000C0h, etc.). The RDY output indicates this condition to the system by pulsing low. For standard handshaking devices, there is no two cycle latency between 3Fh and 40h (or addresses offset from 3F and 40h by a multiple of 64). See [Table 10](#).

For reduced wait-state handshaking devices, if the address latched is 3Dh (or offset from 3Dh by a multiple of 64), an additional cycle latency occurs prior to the initial access. If the address latched is 3Eh (or offset from 3Eh by a multiple of 64) two additional cycle latency occurs prior to the initial access and the 2 cycle latency between 3Fh and 40h (or offset from 3Fh by a multiple of 64) will not occur. For 3Fh latched addresses (or offset from 3Fh by a multiple of 64) three additional cycle latency occurs prior to the initial access and the 2 cycle latency between 3Fh and 40h (or offset from these addresses by a multiple of 64) will not occur.

The device will continue to output sequential burst data, wrapping around to address 000000h after it reaches the highest addressable memory location, until the system drives CE# high, RESET# low, or AVD# low in conjunction with a new address. See [Table 1, "Device Bus Operations," on page 12](#).

If the host system crosses the bank boundary while reading in burst mode, and the device is not programming or erasing, a two-cycle latency will occur as described above in the subsequent bank. If the host system crosses the bank

boundary while the device is programming or erasing, the device will provide read status information. The clock will be ignored. After the host has completed status reads, or the device has completed the program or erase operation, the host can restart a burst operation using a new address and AVD# pulse.

If the clock frequency is less than 6 MHz during a burst mode operation, additional latencies will occur. RDY indicates the length of the latency by pulsing low.

8-, 16-, and 32-Word Linear Burst with Wrap Around

The remaining three modes are of the linear wrap around design, in which a fixed number of words are read from consecutive addresses. In each of these modes, the burst addresses read are determined by the group within which the starting address falls. The groups are sized according to the number of words read in a single burst sequence for a given mode (see [Table 2.](#))

Table 2. Burst Address Groups

Mode	Group Size	Group Address Ranges
8-word	8 words	0-7h, 8-Fh, 10-17h, ...
16-word	16 words	0-Fh, 10-1Fh, 20-2Fh, ...
32-word	32 words	00-1Fh, 20-3Fh, 40-5Fh, ...

As an example: if the starting address in the 8-word mode is 39h, the address range to be read would be 38-3Fh, and the burst sequence would be 39-3A-3B-3C-3D-3E-3F-38h-etc. The burst sequence begins with the starting address written to the device, but wraps back to the first address in the selected group. In a similar fashion, the 16-word and 32-word Linear Wrap modes begin their burst sequence on the starting address written to the device, and then wrap back to the first address in the selected address group. **Note that in these three burst read modes the address pointer does not cross the boundary that occurs every 64 words; thus, no wait states are inserted (except during the initial access).**

The RDY pin indicates when data is valid on the bus. The devices can wrap through a maximum of 128 words of data (8 words up to 16 times, 16 words up to 8 times, or 32 words up to 4 times) before requiring a new synchronous access (latching of a new address).

Burst Mode Configuration Register

The device uses a configuration register to set the various burst parameters: number of wait states, burst read mode, active clock edge, RDY configuration, and synchronous mode active.

Reduced Wait-State Handshaking Option

The device can be equipped with a reduced wait-state handshaking feature that allows the host system to simply monitor the RDY signal from the device to determine when the initial word of burst data is ready to be read. The host system should use the programmable wait state configuration to set the number of wait states for optimal burst mode operation. The initial word of burst data is indicated by the rising edge of RDY after OE# goes low.

The presence of the reduced wait-state handshaking feature may be verified by writing the autoselect command sequence to the device. See "Autoselect Command Sequence" for details.

For optimal burst mode performance on devices without the reduced wait-state handshaking option, the host system must set the appropriate number of wait states in the flash device depending on clock frequency and the presence of a boundary crossing. See “[Set Burst Mode Configuration Register Command Sequence](#)” section on page 26 section for more information. The device will automatically delay RDY and data by one additional clock cycle when the starting address is odd.

The autoselect function allows the host system to determine whether the flash device is enabled for reduced wait-state handshaking. See the “Autoselect Command Sequence” section for more information.

Simultaneous Read/Write Operations with Zero Latency

This device is capable of reading data from one bank of memory while programming or erasing in another bank of memory. An erase operation may also be suspended to read from or program to another location within the same bank (except the sector being erased). [Figure 33, “Back-to-Back Read/Write Cycle Timings,” on page 70](#) shows how read and write cycles may be initiated for simultaneous operation with zero latency. Refer to the DC Characteristics table for read-while-program and read-while-erase current specifications.

Writing Commands/Command Sequences

The device has the capability of performing an asynchronous or synchronous write operation. During a synchronous write operation, to write a command or command sequence (which includes programming data to the device and erasing sectors of memory), the system must drive AVD# and CE# to V_{IL} , and OE# to V_{IH} when providing an address to the device, and drive WE# and CE# to V_{IL} , and OE# to V_{IH} when writing commands or data. During an asynchronous write operation, the system must drive CE#, WE#, and CLK to V_{IL} and OE# to V_{IH} when providing an address, command, and data. The asynchronous and synchronous programming operation is independent of the Set Device Read Mode bit in the Burst Mode Configuration Register.

The device features an Unlock Bypass mode to facilitate faster programming. Once the device enters the Unlock Bypass mode, only two write cycles are required to program a word, instead of four.

An erase operation can erase one sector, multiple sectors, or the entire device. [Table 8, “Programmable Wait State Settings,” on page 28](#) indicates the address space that each sector occupies. The device address space is divided into four banks: Banks B and C contain only 32 Kword sectors, while Banks A and D contain both 8 Kword boot sectors in addition to 32 Kword sectors. A “bank address” is the address bits required to uniquely select a bank. Similarly, a “sector address” is the address bits required to uniquely select a sector.

I_{CC2} in the DC Characteristics table represents the active current specification for the write mode. The AC Characteristics section contains timing specification tables and timing diagrams for write operations.

Accelerated Program Operation

The device offers accelerated program operations through the ACC function. ACC is primarily intended to allow faster manufacturing throughput at the factory.

If the system asserts V_{ID} on this input, the device automatically enters the aforementioned Unlock Bypass mode and uses the higher voltage on the input to reduce the time required for program operations. The system would use a two-

cycle program command sequence as required by the Unlock Bypass mode. Removing V_{ID} from the ACC input returns the device to normal operation. Note that sectors must be unlocked prior to raising ACC to V_{ID} . *Note that the ACC pin must not be at V_{ID} for operations other than accelerated programming, or device damage may result. In addition, the ACC pin must not be left floating or unconnected; inconsistent behavior of the device may result.*

When at V_{IL} , ACC locks all sectors. ACC should be at V_{IH} for all other conditions.

Autoselect Functions

If the system writes the autoselect command sequence, the device enters the autoselect mode. The system can then read autoselect codes from the internal register (which is separate from the memory array) on DQ15–DQ0. Autoselect mode may only be entered and used when in the asynchronous read mode. Refer to the “[Autoselect Command Sequence](#)” section on page 31 section for more information.

Standby Mode

When the system is not reading or writing to the device, it can place the device in the standby mode. In this mode, current consumption is greatly reduced, and the outputs are placed in the high impedance state, independent of the OE# input.

The device enters the CMOS standby mode when the CE# and RESET# inputs are both held at $V_{CC} \pm 0.2$ V. The device requires standard access time (t_{CE}) for read access, before it is ready to read data.

If the device is deselected during erasure or programming, the device draws active current until the operation is completed.

I_{CC3} in the DC Characteristics table represents the standby current specification.

Automatic Sleep Mode

The automatic sleep mode minimizes Flash device energy consumption. While in asynchronous mode, the device automatically enables this mode when addresses remain stable for $t_{ACC} + 60$ ns. The automatic sleep mode is independent of the CE#, WE#, and OE# control signals. Standard address access timings provide new data when addresses are changed. While in sleep mode, output data is latched and always available to the system. While in synchronous mode, the device automatically enables this mode when either the first active CLK edge occurs after t_{ACC} or the CLK runs slower than 5MHz. Note that a new burst operation is required to provide new data.

I_{CC4} in the “[DC Characteristics](#)” section on page 45 represents the automatic sleep mode current specification.

RESET#: Hardware Reset Input

The RESET# input provides a hardware method of resetting the device to reading array data. When RESET# is driven low for at least a period of t_{RP} , the device immediately terminates any operation in progress, tristates all outputs, resets the configuration register, and ignores all read/write commands for the duration of the RESET# pulse. The device also resets the internal state machine to reading array data. The operation that was interrupted should be reinitiated once the device is ready to accept another command sequence, to ensure data integrity.

Current is reduced for the duration of the RESET# pulse. When RESET# is held at $V_{SS} \pm 0.2$ V, the device draws CMOS standby current (I_{CC4}). If RESET# is held at V_{IL} but not within $V_{SS} \pm 0.2$ V, the standby current will be greater.

RESET# may be tied to the system reset circuitry. A system reset would thus also reset the Flash memory, enabling the system to read the boot-up firmware from the Flash memory.

If RESET# is asserted during a program or erase operation, the device requires a time of t_{READY} (during Embedded Algorithms) before the device is ready to read data again. If RESET# is asserted when a program or erase operation is not executing, the reset operation is completed within a time of t_{READY} (not during Embedded Algorithms). The system can read data t_{RH} after RESET# returns to V_{IH} .

Refer to the AC Characteristics tables for RESET# parameters and to [Figure 20, "Reset Timings,"](#) on [page 57](#) for the timing diagram.

Output Disable Mode

When the OE# input is at V_{IH} , output from the device is disabled. The outputs are placed in the high impedance state.

Hardware Data Protection

The command sequence requirement of unlock cycles for programming or erasing provides data protection against inadvertent writes (refer to [Table 13, "Command Definitions,"](#) on [page 37](#) for command definitions).

The device offers two types of data protection at the sector level:

- The sector lock/unlock command sequence disables or re-enables both program and erase operations in any sector.
- When WP# is at V_{IL} , sectors 0 and 1 (bottom boot) or sectors 132 and 133 (top boot) are locked.
- When ACC is at V_{IL} , all sectors are locked.

The following hardware data protection measures prevent accidental erasure or programming, which might otherwise be caused by spurious system level signals during V_{CC} power-up and power-down transitions, or from system noise.

Write Protect (WP#)

The Write Protect (WP#) input provides a hardware method of protecting data without using V_{ID} .

If the system asserts V_{IL} on the WP# pin, the device disables program and erase functions in sectors 0 and 1 (bottom boot) or sectors 132 and 133 (top boot).

If the system asserts V_{IH} on the WP# pin, the device reverts to whether the two outermost 8K Byte boot sectors were last set to be protected or unprotected.

Note that the WP# pin must not be left floating or unconnected; inconsistent behavior of the device may result.

Low V_{CC} Write Inhibit

When V_{CC} is less than V_{LKO} , the device does not accept any write cycles. This protects data during V_{CC} power-up and power-down. The command register and all internal program/erase circuits are disabled, and the device resets to reading array data. Subsequent writes are ignored until V_{CC} is greater than V_{LKO} . The sys-

tem must provide the proper signals to the control inputs to prevent unintentional writes when V_{CC} is greater than V_{LKO} .

Write Pulse “Glitch” Protection

Noise pulses of less than 5 ns (typical) on OE#, CE# or WE# do not initiate a write cycle.

Logical Inhibit

Write cycles are inhibited by holding any one of OE# = V_{IL} , CE# = V_{IH} or WE# = V_{IH} . To initiate a write cycle, CE# and WE# must be a logical zero while OE# is a logical one.

Power-Up Write Inhibit

If WE# = CE# = RESET# = V_{IL} and OE# = V_{IH} during power up, the device does not accept commands on the rising edge of WE#. The internal state machine is automatically reset to the read mode on power-up.

V_{CC} and V_{IO} Power-up And Power-down Sequencing

The device imposes no restrictions on V_{CC} and V_{IO} power-up or power-down sequencing. Asserting RESET# to V_{IL} is required during the entire V_{CC} and V_{IO} power sequence until the respective supplies reach their operating voltages. Once V_{CC} and V_{IO} attain their respective operating voltages, de-assertion of RESET# to V_{IH} is permitted.

Common Flash Memory Interface (CFI)

The Common Flash Interface (CFI) specification outlines device and host system software interrogation handshake, which allows specific vendor-specified software algorithms to be used for entire families of devices. Software support can then be device-independent, JEDEC ID-independent, and forward- and backward-compatible for the specified flash device families. Flash vendors can standardize their existing interfaces for long-term compatibility.

This device enters the CFI Query mode when the system writes the CFI Query command, 98h, to address 55h any time the device is ready to read array data. The system can read CFI information at the addresses given in Tables 3-6. To terminate reading CFI data, the system must write the reset command.

The system can also write the CFI query command when the device is in the autoselect mode. The device enters the CFI query mode, and the system can read CFI data at the addresses given in Tables 3-6. The system must write the reset command to return the device to reading array data.

For further information, please refer to the CFI Specification and CFI Publication 100, available via the web at the following URL: <http://www.amd.com/flash/cfi>. Alternatively, contact an sales office or representative for copies of these documents.

Table 3. CFI Query Identification String

Addresses	Data	Description
10h 11h 12h	0051h 0052h 0059h	Query Unique ASCII string "QRY"
13h 14h	0002h 0000h	Primary OEM Command Set
15h 16h	0040h 0000h	Address for Primary Extended Table
17h 18h	0000h 0000h	Alternate OEM Command Set (00h = none exists)
19h 1Ah	0000h 0000h	Address for Alternate OEM Extended Table (00h = none exists)

Table 4. System Interface String

Addresses	Data	Description
1Bh	0017h	V _{CC} Min. (write/erase) D7–D4: volt, D3–D0: 100 millivolt
1Ch	0019h	V _{CC} Max. (write/erase) D7–D4: volt, D3–D0: 100 millivolt
1Dh	0000h	V _{PP} Min. voltage (00h = no V _{PP} pin present)
1Eh	0000h	V _{PP} Max. voltage (00h = no V _{PP} pin present)
1Fh	0004h	Typical timeout per single byte/word write 2 ⁿ μs
20h	0000h	Typical timeout for Min. size buffer write 2 ⁿ μs (00h = not supported)
21h	0009h	Typical timeout per individual block erase 2 ⁿ ms
22h	0000h	Typical timeout for full chip erase 2 ⁿ ms (00h = not supported)
23h	0004h	Max. timeout for byte/word write 2 ⁿ times typical
24h	0000h	Max. timeout for buffer write 2 ⁿ times typical
25h	0004h	Max. timeout per individual block erase 2 ⁿ times typical
26h	0000h	Max. timeout for full chip erase 2 ⁿ times typical (00h = not supported)

Table 5. Device Geometry Definition

Addresses	Data	Description
27h	0017h	Device Size = 2 ^N byte
28h 29h	0001h 0000h	Flash Device Interface description (refer to CFI publication 100)
2Ah 2Bh	0000h 0000h	Max. number of bytes in multi-byte write = 2 ^N (00h = not supported)
2Ch	0003h	Number of Erase Block Regions within device
2Dh 2Eh 2Fh 30h	0003h 0000h 0040h 0000h	Erase Block Region 1 Information (refer to the CFI specification or CFI publication 100)
31h 32h 33h 34h	007Dh 0000h 0000h 0001h	Erase Block Region 2 Information
35h 36h 37h 38h	0003h 0000h 0040h 0000h	Erase Block Region 3 Information
39h 3Ah 3Bh 3Ch	0000h 0000h 0000h 0000h	Erase Block Region 4 Information

Table 6. Primary Vendor-Specific Extended Query

Addresses	Data	Description
40h 41h 42h	0050h 0052h 0049h	Query-unique ASCII string "PRI"
43h	0031h	Major version number, ASCII
44h	0033h	Minor version number, ASCII
45h	0004h	Address Sensitive Unlock (Bits 1-0) 0 = Required, 1 = Not Required Silicon Technology (Bits 5-2) 0001 = 0.17 μ m
46h	0002h	Erase Suspend 0 = Not Supported, 1 = To Read Only, 2 = To Read & Write
47h	0001h	Sector Protect 0 = Not Supported, X = Number of sectors in per group
48h	0000h	Sector Temporary Unprotect 00 = Not Supported, 01 = Supported
49h	0005h	Sector Protect/Unprotect scheme 04 = 29LV800 mode
4Ah	0063h	Simultaneous Operation Number of Sectors in all banks except boot block
4Bh	0001h	Burst Mode Type 00 = Not Supported, 01 = Supported
4Ch	0000h	Page Mode Type 00 = Not Supported, 01 = 4 Word Page, 02 = 8 Word Page
4Dh	00B5h	ACC (Acceleration) Supply Minimum 00h = Not Supported, D7-D4: Volt, D3-D0: 100 mV
4Eh	00C5h	ACC (Acceleration) Supply Maximum 00h = Not Supported, D7-D4: Volt, D3-D0: 100 mV
4Fh	00xxh	Top/Bottom Boot Sector Flag 02h = Bottom Boot Device, 03h = Top Boot Device
50h	0000h	Program Suspend. 00h = not supported
57h	0004h	Bank Organization: X = Number of banks
58h	0023h	Bank A Region Information. X = Number of sectors in bank
59h	0020h	Bank B Region Information. X = Number of sectors in bank
5Ah	0020h	Bank C Region Information. X = Number of sectors in bank
5Bh	0023h	Bank D Region Information. X = Number of sectors in bank

Table 7. Sector Address Table

	Sector	Sector Size	(x16) Address Range
Bank D	SA0	8 Kwords	000000h-001FFFh
	SA1	8 Kwords	002000h-003FFFh
	SA2	8 Kwords	004000h-005FFFh
	SA3	8 Kwords	006000h-007FFFh
	SA4	32 Kwords	008000h-00FFFFh
	SA5	32 Kwords	010000h-017FFFh
	SA6	32 Kwords	018000h-01FFFFh
	SA7	32 Kwords	020000h-027FFFh
	SA8	32 Kwords	028000h-02FFFFh
	SA9	32 Kwords	030000h-037FFFh
	SA10	32 Kwords	038000h-03FFFFh
	SA11	32 Kwords	040000h-047FFFh
	SA12	32 Kwords	048000h-04FFFFh
	SA13	32 Kwords	050000h-057FFFh
	SA14	32 Kwords	058000h-05FFFFh
	SA15	32 Kwords	060000h-067FFFh
	SA16	32 Kwords	068000h-06FFFFh
	SA17	32 Kwords	070000h-077FFFh
	SA18	32 Kwords	078000h-07FFFFh
	SA19	32 Kwords	080000h-087FFFh
	SA20	32 Kwords	088000h-08FFFFh
	SA21	32 Kwords	090000h-097FFFh
	SA22	32 Kwords	098000h-09FFFFh
	SA23	32 Kwords	0A0000h-0A7FFFh
	SA24	32 Kwords	0A8000h-0AFFFFh
	SA25	32 Kwords	0B0000h-0B7FFFh
	SA26	32 Kwords	0B8000h-0BFFFFh
	SA27	32 Kwords	0C0000h-0C7FFFh
	SA28	32 Kwords	0C8000h-0CFFFFh
	SA29	32 Kwords	0D0000h-0D7FFFh
	SA30	32 Kwords	0D8000h-0DFFFFh
	SA31	32 Kwords	0E0000h-0E7FFFh
	SA32	32 Kwords	0E8000h-0EFFFFh
	SA33	32 Kwords	0F0000h-0F7FFFh
SA34	32 Kwords	0F8000h-0FFFFFh	

Table 7. Sector Address Table (Continued)

	Sector	Sector Size	(x16) Address Range
Bank C	SA35	32 Kwords	100000h-107FFFh
	SA36	32 Kwords	108000h-10FFFFh
	SA37	32 Kwords	110000h-117FFFh
	SA38	32 Kwords	118000h-11FFFFh
	SA39	32 Kwords	120000h-127FFFh
	SA40	32 Kwords	128000h-12FFFFh
	SA41	32 Kwords	130000h-137FFFh
	SA42	32 Kwords	138000h-13FFFFh
	SA43	32 Kwords	140000h-147FFFh
	SA44	32 Kwords	148000h-14FFFFh
	SA45	32 Kwords	150000h-157FFFh
	SA46	32 Kwords	158000h-15FFFFh
	SA47	32 Kwords	160000h-167FFFh
	SA48	32 Kwords	168000h-16FFFFh
	SA49	32 Kwords	170000h-177FFFh
	SA50	32 Kwords	178000h-17FFFFh
	SA51	32 Kwords	180000h-187FFFh
	SA52	32 Kwords	188000h-18FFFFh
	SA53	32 Kwords	190000h-197FFFh
	SA54	32 Kwords	198000h-19FFFFh
	SA55	32 Kwords	1A0000h-1A7FFFh
	SA56	32 Kwords	1A8000h-1AFFFFh
	SA57	32 Kwords	1B0000h-1B7FFFh
	SA58	32 Kwords	1B8000h-1BFFFFh
	SA59	32 Kwords	1C0000h-1C7FFFh
	SA60	32 Kwords	1C8000h-1CFFFFh
	SA61	32 Kwords	1D0000h-1D7FFFh
	SA62	32 Kwords	1D8000h-1DFFFFh
	SA63	32 Kwords	1E0000h-1E7FFFh
	SA64	32 Kwords	1E8000h-1EFFFFh
	SA65	32 Kwords	1F0000h-1F7FFFh
	SA66	32 Kwords	1F8000h-1FFFFh

Table 7. Sector Address Table (Continued)

	Sector	Sector Size	(x16) Address Range
Bank B	SA67	32 Kwords	200000h-207FFFh
	SA68	32 Kwords	208000h-20FFFFh
	SA69	32 Kwords	210000h-217FFFh
	SA70	32 Kwords	218000h-21FFFFh
	SA71	32 Kwords	220000h-227FFFh
	SA72	32 Kwords	228000h-22FFFFh
	SA73	32 Kwords	230000h-237FFFh
	SA74	32 Kwords	238000h-23FFFFh
	SA75	32 Kwords	240000h-247FFFh
	SA76	32 Kwords	248000h-24FFFFh
	SA77	32 Kwords	250000h-257FFFh
	SA78	32 Kwords	258000h-25FFFFh
	SA79	32 Kwords	260000h-267FFFh
	SA80	32 Kwords	268000h-26FFFFh
	SA81	32 Kwords	270000h-277FFFh
	SA82	32 Kwords	278000h-27FFFFh
	SA83	32 Kwords	280000h-287FFFh
	SA84	32 Kwords	288000h-28FFFFh
	SA85	32 Kwords	290000h-297FFFh
	SA86	32 Kwords	298000h-29FFFFh
	SA87	32 Kwords	2A0000h-2A7FFFh
	SA88	32 Kwords	2A8000h-2AFFFFh
	SA89	32 Kwords	2B0000h-2B7FFFh
	SA90	32 Kwords	2B8000h-2BFFFFh
	SA91	32 Kwords	2C0000h-2C7FFFh
	SA92	32 Kwords	2C8000h-2CFFFFh
	SA93	32 Kwords	2D0000h-2D7FFFh
	SA94	32 Kwords	2D8000h-2DFFFFh
	SA95	32 Kwords	2E0000h-2E7FFFh
	SA96	32 Kwords	2E8000h-2EFFFFh
	SA97	32 Kwords	2F0000h-2F7FFFh
	SA98	32 Kwords	2F8000h-2FFFFFh

Table 7. Sector Address Table (Continued)

	Sector	Sector Size	(x16) Address Range
Bank A	SA99	32K words	300000h-307FFFh
	SA100	32K words	308000h-30FFFFh
	SA101	32K words	310000h-317FFFh
	SA102	32K words	318000h-31FFFFh
	SA103	32K words	320000h-327FFFh
	SA104	32K words	328000h-32FFFFh
	SA105	32K words	330000h-337FFFh
	SA106	32K words	338000h-33FFFFh
	SA107	32K words	340000h-347FFFh
	SA108	32K words	348000h-34FFFFh
	SA109	32K words	350000h-357FFFh
	SA110	32K words	358000h-35FFFFh
	SA111	32K words	360000h-367FFFh
	SA112	32K words	368000h-36FFFFh
	SA113	32K words	370000h-377FFFh
	SA114	32K words	378000h-37FFFFh
	SA115	32K words	380000h-387FFFh
	SA116	32K words	388000h-38FFFFh
	SA117	32K words	390000h-397FFFh
	SA118	32K words	398000h-39FFFFh
	SA119	32K words	3A0000h-3A7FFFh
	SA120	32K words	3A8000h-3AFFFFh
	SA121	32K words	3B0000h-3B7FFFh
	SA122	32K words	3B8000h-3BFFFFh
	SA123	32K words	3C0000h-3C7FFFh
	SA124	32K words	3C8000h-3CFFFFh
	SA125	32K words	3D0000h-3D7FFFh
	SA126	32K words	3D8000h-3DFFFFh
	SA127	32K words	3E0000h-3E7FFFh
	SA128	32K words	3E8000h-3EFFFFh
	SA129	32K words	3F0000h-3F7FFFh
	SA130	8K words	3F8000h-3F9FFFh
	SA131	8K words	3FA000h-3FBFFFh
	SA132	8K words	3FC000h-3FDFFFh
	SA133	8K words	3FE000h-3FFFFFh

Command Definitions

Writing specific address and data commands or sequences into the command register initiates device operations. [Table 13, “Command Definitions,” on page 37](#) defines the valid register command sequences. Note that writing incorrect address and data values or writing them in the improper sequence may place the device in an unknown state. A reset command is required to return the device to normal operation.

Refer to the AC Characteristics section for timing diagrams.

Reading Array Data

The device is automatically set to reading array data after device power-up. No commands are required to retrieve data in asynchronous mode. Each bank is ready to read array data after completing an Embedded Program or Embedded Erase algorithm.

After the device accepts an Erase Suspend command, the corresponding bank enters the erase-suspend-read mode, after which the system can read data from any non-erase-suspended sector within the same bank. After completing a programming operation in the Erase Suspend mode, the system may once again read array data with the same exception. See the [“Erase Suspend/Erase Resume Commands” section on page 35](#) section for more information.

The system must issue the reset command to return a bank to the read (or erase-suspend-read) mode if DQ5 goes high during an active program or erase operation, or if the bank is in the autoselect mode. See the [“Reset Command” section on page 31](#) section for more information.

See also [“Requirements for Asynchronous Read Operation \(Non-Burst\)”](#) and [“Requirements for Synchronous \(Burst\) Read Operation”](#) sections for more information. The Asynchronous Read and Synchronous/Burst Read tables provide the read parameters, and [Figures 11, 13, and 18](#) show the timings.

Set Burst Mode Configuration Register Command Sequence

The device uses a burst mode configuration register to set the various burst parameters: number of wait states, burst read mode, active clock edge, RDY configuration, and synchronous mode active. The burst mode configuration register must be set before the device will enter burst mode.

The burst mode configuration register is loaded with a three-cycle command sequence. The first two cycles are standard unlock sequences. On the third cycle, the data should be C0h, address bits A11–A0 should be 555h, and address bits A19–A12 set the code to be latched. The device will power up or after a hardware reset with the default setting, which is in asynchronous mode. The register must be set before the device can enter synchronous mode. The burst mode configuration register can not be changed during device operations (program, erase, or sector lock).

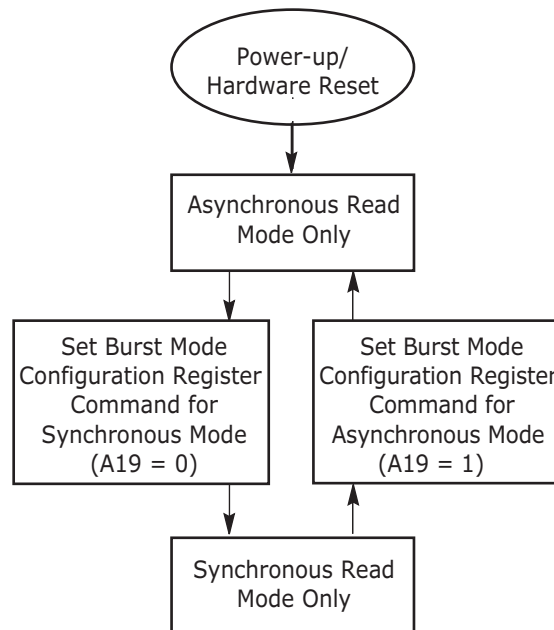


Figure 1. Synchronous/Asynchronous State Diagram

Read Mode Setting

On power-up or hardware reset, the device is set to be in asynchronous read mode. This setting allows the system to enable or disable burst mode during system operations. Address A19 determines this setting: "1" for asynchronous mode, "0" for synchronous mode.

Programmable Wait State Configuration

The programmable wait state feature informs the device of the number of clock cycles that must elapse after AVD# is driven active before data will be available. This value is determined by the input frequency of the device. Address bits A14–A12 determine the setting (see [Table 8](#)).

The wait state command sequence instructs the device to set a particular number of clock cycles for the initial access in burst mode. The number of wait states that should be programmed into the device is directly related to the clock frequency.

Table 8. Programmable Wait State Settings

A14	A13	A12	Total Initial Access Cycles
0	0	0	2
0	0	1	3
0	1	0	4
0	1	1	5
1	0	0	6
1	0	1	7

Notes:

1. Upon power-up or hardware reset, the default setting is seven wait states.
2. RDY will default to being active with data when the Wait State Setting is set to a total initial access cycle of 2.
3. Assumes even address.

It is recommended that the wait state command sequence be written, even if the default wait state value is desired, to ensure the device is set as expected. A hardware reset will set the wait state to the default setting.

Reduced Wait-State Handshaking Option

If the device is equipped with the reduced wait-state handshaking option, the host system should set address bits A14–A12 to 010 for a clock frequency of 40 MHz or to 011 for a clock frequency of 54 MHz for the system/device to execute at maximum speed.

Table 9 describes the typical number of clock cycles (wait states) for various conditions.

Table 9. Initial Access Cycles vs. Frequency

System Frequency Range	Even Initial Addr.	Odd Initial Addr.	Even Initial Addr. with Boundary	Odd Initial Addr. with Boundary	Device Speed Rating
6–11 MHz	2	2	3	4	40 MHz
12–23 MHz	2	3	4	5	
24–33 MHz	3	4	5	6	
34–40 MHz	4	5	6	7	
40–47 MHz	4	5	6	7	54 MHz
48–54 MHz	5	6	7	8	

Note: In the 8-, 16- and 32-word burst read modes, the address pointer does not cross 64-word boundaries (addresses which are multiples of 3Fh).

The autoselect function allows the host system to determine whether the flash device is enabled for reduced wait-state handshaking. See the “Autoselect Command Sequence” section for more information.

Standard Handshaking Operation

For optimal burst mode performance on devices without the handshaking option, the host system must set the appropriate number of wait states in the flash device depending on the clock frequency.

Table 10 describes the typical number of clock cycles (wait states) for various conditions with A14–A12 set to 101.

Table 10. Wait States for Standard Handshaking

Conditions at Address	Typical No. of Clock Cycles after AVD# Low
	40/54 MHz
Initial address is even	7
Initial address is odd	7
Initial address is even, and is at boundary crossing*	7
Initial address is odd, and is at boundary crossing*	7

* In the 8-, 16- and 32-word burst read modes, the address pointer does not cross 64-word boundaries (addresses which are multiples of 3Fh).

Burst Read Mode Configuration

The device supports four different burst read modes: continuous mode, and 8, 16, and 32 word linear wrap around modes. A continuous sequence begins at the starting address and advances the address pointer until the burst operation is complete. If the highest address in the device is reached during the continuous burst read mode, the address pointer wraps around to the lowest address.

For example, an eight-word linear burst with wrap around begins on the starting burst address written to the device and then proceeds until the next 8 word boundary. The address pointer then returns to the first word of the burst sequence, wrapping back to the starting location. The sixteen- and thirty-two linear wrap around modes operate in a fashion similar to the eight-word mode.

Table 11 shows the address bits and settings for the four burst read modes.

Table II. Burst Read Mode Settings

Burst Modes	Address Bits	
	A16	A15
Continuous	0	0
8-word linear wrap around	0	1
16-word linear wrap around	1	0
32-word linear wrap around	1	1

Note: Upon power-up or hardware reset the default setting is continuous.

Burst Active Clock Edge Configuration

By default, the device will deliver data on the rising edge of the clock after the initial synchronous access time. Subsequent outputs will also be on the following rising edges, barring any delays. The device can be set so that the falling clock

edge is active for all synchronous accesses. Address bit A17 determines this setting; "1" for rising active, "0" for falling active.

RDY Configuration

By default, the device is set so that the RDY pin will output V_{OH} whenever there is valid data on the outputs. The device can be set so that RDY goes active one data cycle before active data. Address bit A18 determines this setting; "1" for RDY active with data, "0" for RDY active one clock cycle before valid data.

Configuration Register

Table 12 shows the address bits that determine the configuration register settings for various device functions.

Table 12. Burst Mode Configuration Register

Address Bit	Function	Settings (Binary)
A19	Set Device Read Mode	0 = Synchronous Read (Burst Mode) Enabled 1 = Asynchronous Mode (default)
A18	RDY	0 = RDY active one clock cycle before data 1 = RDY active with data (default)
A17	Clock	0 = Burst starts and data is output on the falling edge of CLK 1 = Burst starts and data is output on the rising edge of CLK (default)
A16	Burst Read Mode	00 = Continuous (default)
A15		01 = 8-word linear with wrap around 10 = 16-word linear with wrap around 11 = 32-word linear with wrap around
A14	Programmable Wait State	000 = Data is valid on the 2nd active CLK edge after AVD# transition to V_{IH}
A13		001 = Data is valid on the 3rd active CLK edge after AVD# transition to V_{IH}
A12		010 = Data is valid on the 4th active CLK edge after AVD# transition to V_{IH} 011 = Data is valid on the 5th active CLK edge after AVD# transition to V_{IH} 100 = Data is valid on the 6th active CLK edge after AVD# transition to V_{IH} 101 = Data is valid on the 7th active CLK edge after AVD# transition to V_{IH} (default)

Note: Device will be in the default state upon power-up or hardware reset.

Sector Lock/Unlock Command Sequence

The sector lock/unlock command sequence allows the system to determine which sectors are protected from accidental writes. When the device is first powered up, all sectors are locked. To unlock a sector, the system must write the sector lock/unlock command sequence. In the first and second cycles, the address must point to the bank that contains the sector(s) to be locked or unlocked. The first and second cycle data is 60h. In the third cycle, the address must point to the target sector, and A6 is used to specify a lock ($A6 = V_{IL}$) or unlock ($A6 = V_{IH}$) operation. The third cycle data is 60h. After the third cycle, the system can continue to lock or unlock additional sectors in the same bank or exit the sector lock/unlock sequence by writing the reset command (F0h).

It is not possible to read from the bank selected for sector lock/unlock operations. To enable such read operations, write the reset command.

Note that the last two outermost boot sectors can be locked by taking the WP# signal to V_{IL} .

Reset Command

Writing the reset command resets the banks to the read or erase-suspend-read mode. Address bits are don't cares for this command.

The reset command may be written between the sequence cycles in an erase command sequence before erasing begins. This resets the bank to which the system was writing to the read mode. Once erasure begins, however, the device ignores reset commands until the operation is complete.

The reset command may be written between the sequence cycles in a program command sequence before programming begins (prior to the third cycle). This resets the bank to which the system was writing to the read mode. If the program command sequence is written to a bank that is in the Erase Suspend mode, writing the reset command returns that bank to the erase-suspend-read mode. Once programming begins, however, the device ignores reset commands until the operation is complete.

The reset command may be written between the sequence cycles in an autoselect command sequence. Once in the autoselect mode, the reset command must be written to return to the read mode. If a bank entered the autoselect mode while in the Erase Suspend mode, writing the reset command returns that bank to the erase-suspend-read mode.

If DQ5 goes high during a program or erase operation, writing the reset command returns the banks to the read mode (or erase-suspend-read mode if that bank was in Erase Suspend).

The reset command is used to exit the sector lock/unlock sequence. This command is required before reading from the bank selected for sector lock/unlock operations.

Autoselect Command Sequence

The autoselect command sequence allows the host system to access the manufacturer and device codes, and determine whether or not a sector is protected. [Table 13, "Command Definitions," on page 37](#) shows the address and data requirements. The autoselect command sequence may be written to an address within a bank that is either in the read or erase-suspend-read mode. The autoselect command may not be written while the device is actively programming or erasing in the other bank.

The autoselect command sequence is initiated by first writing two unlock cycles. This is followed by a third write cycle that contains the bank address and the autoselect command. The bank then enters the autoselect mode. No subsequent data will be made available if the autoselect data is read in synchronous mode. The system may read at any address within the same bank any number of times without initiating another autoselect command sequence. The following table describes the address requirements for the various autoselect functions, and the resulting data. BA represents the bank address, and SA represents the sector address. The device ID is read in three cycles.

Description	Address	Read Data
Manufacturer ID	(BA) + 00h	0001h
Device ID, Word 1	(BA) + 01h	227Eh
Device ID, Word 2	(BA) + 0Eh	2204h (1.8 V V _{IO} , top boot), 2224h (1.8 V V _{IO} , bottom boot), 2214h (3.0 V V _{IO} , top boot), 2234h (3.0 V V _{IO} , bottom boot)
Device ID, Word 3	(BA) + 0Fh	2201h
Sector Block Lock/Unlock	(SA) + 02h	0001 (locked), 0000 (unlocked)
Handshaking	(BA) + 03h	43h (reduced wait-state), 42h (standard)

The system must write the reset command to return to the read mode (or erase-suspend-read mode if the bank was previously in Erase Suspend).

Program Command Sequence

Programming is a four-bus-cycle operation. The program command sequence is initiated by writing two unlock write cycles, followed by the program set-up command. The program address and data are written next, which in turn initiate the Embedded Program algorithm. The system is not required to provide further controls or timings. The device automatically provides internally generated program pulses and verifies the programmed cell margin. [Table 13](#) shows the address and data requirements for the program command sequence.

When the Embedded Program algorithm is complete, that bank then returns to the read mode and addresses are no longer latched. The system can determine the status of the program operation by monitoring DQ7 or DQ6/DQ2. Refer to the [“Write Operation Status” section on page 38](#) section for information on these status bits.

Any commands written to the device during the Embedded Program Algorithm are ignored. Note that a hardware reset immediately terminates the program operation. The program command sequence should be reinitiated once that bank has returned to the read mode, to ensure data integrity.

Programming is allowed in any sequence and across sector boundaries. A bit cannot be programmed from “0” back to a “1.” Attempting to do so may cause that bank to set DQ5 = 1, or cause the DQ7 and DQ6 status bit to indicate the operation was successful. However, a succeeding read will show that the data is still “0.” Only erase operations can convert a “0” to a “1.”

Unlock Bypass Command Sequence

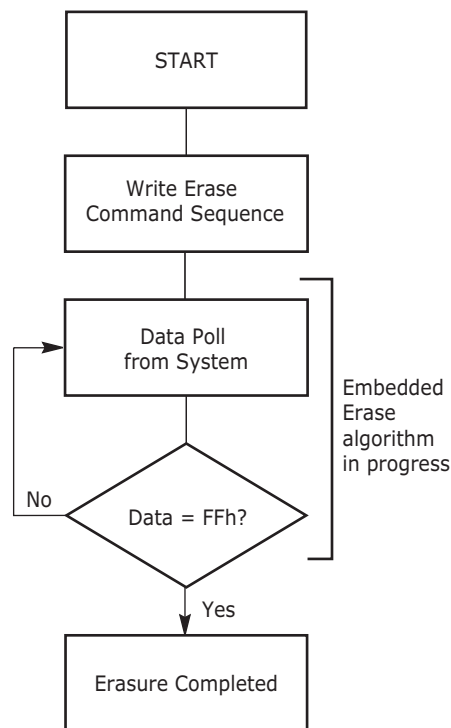
The unlock bypass feature allows the system to primarily program to a bank faster than using the standard program command sequence. The unlock bypass command sequence is initiated by first writing two unlock cycles. This is followed by a third write cycle containing the unlock bypass command, 20h. That bank then enters the unlock bypass mode. A two-cycle unlock bypass program command sequence is all that is required to program in this mode. The first cycle in this sequence contains the unlock bypass program command, A0h; the second cycle contains the program address and data. Additional data is programmed in the same manner. This mode dispenses with the initial two unlock cycles required

in the standard program command sequence, resulting in faster total programming time. The host system may also initiate the chip erase and sector erase sequences in the unlock bypass mode. The erase command sequences are four cycles in length instead of six cycles. [Table 13, "Command Definitions," on page 37](#) shows the requirements for the unlock bypass command sequences.

During the unlock bypass mode, only the Unlock Bypass Program, Unlock Bypass Sector Erase, Unlock Bypass Chip Erase, and Unlock Bypass Reset commands are valid. To exit the unlock bypass mode, the system must issue the two-cycle unlock bypass reset command sequence. The first cycle must contain the bank address and the data 90h. The second cycle need only contain the data 00h. The bank then returns to the read mode.

The device offers accelerated program operations through the ACC input. When the system asserts V_{ID} on this input, the device automatically enters the Unlock Bypass mode. The system may then write the two-cycle Unlock Bypass program command sequence. The device uses the higher voltage on the ACC input to accelerate the operation.

[Figure 2](#) illustrates the algorithm for the program operation. Refer to the Erase/Program Operations table in the AC Characteristics section for parameters, and [Figure 21, "Asynchronous Program Operation Timings," on page 59](#) for timing diagrams.



Notes:

1. See [Table 13](#) for erase command sequence.
2. See the section on *DQ3* for information on the sector erase timer.

Figure 2. Erase Operation

Chip Erase Command Sequence

Chip erase is a six bus cycle operation. The chip erase command sequence is initiated by writing two unlock cycles, followed by a set-up command. Two additional unlock write cycles are then followed by the chip erase command, which in turn invokes the Embedded Erase algorithm. The device does not require the system to preprogram prior to erase. The Embedded Erase algorithm automatically preprograms and verifies the entire memory for an all zero data pattern prior to electrical erase. The system is not required to provide any controls or timings during these operations. [Table 13, "Command Definitions," on page 37](#) shows the address and data requirements for the chip erase command sequence.

When the Embedded Erase algorithm is complete, that bank returns to the read mode and addresses are no longer latched. The system can determine the status of the erase operation by using DQ7 or DQ6/DQ2. Refer to the "Write Operation Status" section for information on these status bits.

Any commands written during the chip erase operation are ignored. However, note that a **hardware reset** immediately terminates the erase operation. If that occurs, the chip erase command sequence should be reinitiated once that bank has returned to reading array data, to ensure data integrity.

The host system may also initiate the chip erase command sequence while the device is in the unlock bypass mode. The command sequence is two cycles in length instead of six cycles. See [Table 13](#) for details on the unlock bypass command sequences.

[Figure 2](#) illustrates the algorithm for the erase operation. Refer to the Erase/Program Operations table in the AC Characteristics section for parameters and timing diagrams.

Sector Erase Command Sequence

Sector erase is a six bus cycle operation. The sector erase command sequence is initiated by writing two unlock cycles, followed by a set-up command. Two additional unlock cycles are written, and are then followed by the address of the sector to be erased, and the sector erase command. [Table 13](#) shows the address and data requirements for the sector erase command sequence.

The device does not require the system to preprogram prior to erase. The Embedded Erase algorithm automatically programs and verifies the entire memory for an all zero data pattern prior to electrical erase. The system is not required to provide any controls or timings during these operations.

After the command sequence is written, a sector erase time-out of no less than 35 μ s occurs. During the time-out period, additional sector addresses and sector erase commands may be written. Loading the sector erase buffer may be done in any sequence, and the number of sectors may be from one sector to all sectors. The time between these additional cycles must be less than 50 μ s, otherwise erasure may begin. Any sector erase address and command following the exceeded time-out may or may not be accepted. It is recommended that processor interrupts be disabled during this time to ensure all commands are accepted. The interrupts can be re-enabled after the last Sector Erase command is written. Any command other than Sector Erase or Erase Suspend during the time-out period resets that bank to the read mode. The system must rewrite the command sequence and any additional addresses and commands.

The system can monitor DQ3 to determine if the sector erase timer has timed out (See “[DQ3: Sector Erase Timer](#)” section on page 43.). The time-out begins from the rising edge of the final WE# pulse in the command sequence.

When the Embedded Erase algorithm is complete, the bank returns to reading array data and addresses are no longer latched. Note that while the Embedded Erase operation is in progress, the system can read data from the non-erasing bank. The system can determine the status of the erase operation by reading DQ7 or DQ6/DQ2 in the erasing bank. Refer to the “[Write Operation Status](#)” section on page 38 section for information on these status bits.

Once the sector erase operation has begun, only the Erase Suspend command is valid. All other commands are ignored. However, note that a hardware reset immediately terminates the erase operation. If that occurs, the sector erase command sequence should be reinitiated once that bank has returned to reading array data, to ensure data integrity.

The host system may also initiate the sector erase command sequence while the device is in the unlock bypass mode. The command sequence is four cycles in length instead of six cycles.

[Figure 2](#) illustrates the algorithm for the erase operation. Refer to the Erase/Program Operations table in the AC Characteristics section for parameters and timing diagrams.

Erase Suspend/Erase Resume Commands

The Erase Suspend command, B0h, allows the system to interrupt a sector erase operation and then read data from, or program data to, any sector not selected for erasure. The bank address is required when writing this command. This command is valid only during the sector erase operation, including the minimum 50 μ s time-out period during the sector erase command sequence. The Erase Suspend command is ignored if written during the chip erase operation or Embedded Program algorithm.

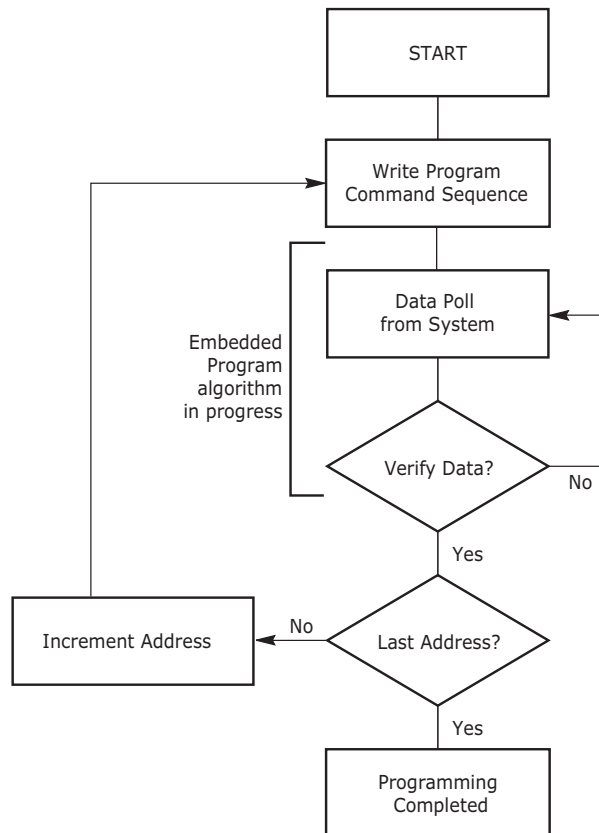
When the Erase Suspend command is written during the sector erase operation, the device requires a maximum of 35 μ s to suspend the erase operation. However, when the Erase Suspend command is written during the sector erase time-out, the device immediately terminates the time-out period and suspends the erase operation.

After the erase operation has been suspended, the bank enters the erase-suspend-read mode. The system can read data from or program data to any sector not selected for erasure. (The device “erase suspends” all sectors selected for erasure.) Reading at any address within erase-suspended sectors produces status information on DQ7–DQ0. The system can use DQ7, or DQ6 and DQ2 together, to determine if a sector is actively erasing or is erase-suspended. Refer to the Write Operation Status section for information on these status bits.

After an erase-suspended program operation is complete, the bank returns to the erase-suspend-read mode. The system can determine the status of the program operation using the DQ7 or DQ6 status bits, just as in the standard program operation. Refer to the “[Write Operation Status](#)” section for more information.

In the erase-suspend-read mode, the system can also issue the autoselect command sequence. Refer to the “[Autoselect Functions](#)” section on page 16 and “[Autoselect Command Sequence](#)” section on page 31 sections for details.

To resume the sector erase operation, the system must write the Erase Resume command. The bank address of the erase-suspended bank is required when writing this command. Further writes of the Resume command are ignored. Another Erase Suspend command can be written after the chip has resumed erasing.



Note: See Table 13 for program command sequence.

Figure 3. Program Operation

Command Definitions

Table I3. Command Definitions

Command Sequence (Notes)		Cycles	Bus Cycles (Notes 1–5)												
			First		Second		Third		Fourth		Fifth		Sixth		
			Addr	Data	Addr	Data	Addr	Data	Addr	Data	Addr	Data	Addr	Data	
Asynchronous Read (6)		1	RA	RD											
Reset (7)		1	XXX	F0											
Autoselect (8)	Manufacturer ID	4	555	AA	2AA	55	(BA)555	90	(BA)X00	0001					
	Device ID (9)	6	555	AA	2AA	55	(BA)555	90	(BA)X01	227E	(BA)X0E	(Note 9)	(BA)X0F	2201	
	Sector Lock Verify (10)	4	555	AA	2AA	55	(SA)555	90	(SA)X02	0000/0001					
	Handshaking Option (11)	4	555	AA	2AA	55	(BA)555	90	(BA)X03	0042/0043					
Program		4	555	AA	2AA	55	555	A0	PA	Data					
Unlock Bypass		3	555	AA	2AA	55	555	20							
Unlock Bypass Program (12)		2	XXX	A0	PA	PD									
Unlock Bypass Sector Erase (12)		2	XXX	80	SA	30									
Unlock Bypass Chip Erase (12)		2	XXX	80	XXX	10									
Unlock Bypass Reset (13)		2	BA	90	XXX	00									
Chip Erase		6	555	AA	2AA	55	555	80	555	AA	2AA	55	555	10	
Sector Erase		6	555	AA	2AA	55	555	80	555	AA	2AA	55	SA	30	
Erase Suspend (7, 14)		1	BA	B0											
Erase Resume (15)		1	BA	30											
Sector Lock/Unlock (7)		3	BA	60	BA	60	SLA	60							
Set Burst Mode Configuration Register (16)		3	555	AA	2AA	55	(CR)555	C0							
CFI Query (17)		1	55	98											

Legend:

X = Don't care

RA = Address of the memory location to be read.

RD = Data read from location RA during read operation.

PA = Address of the memory location to be programmed. Addresses latch on the rising edge of the AVD# pulse.

PD = Data to be programmed at location PA. Data latches on the rising edge of WE# pulse.

SA = Address of the sector to be verified (in autoselect mode) or erased. Address bits A21–A14 uniquely select any sector.

BA = Address of the bank (A21, A20) that is being switched to Autoselect mode, is in bypass mode, is being erased, or is being selected for sector lock/unlock.

SLA = Address of the sector to be locked. Set sector address (SA) and either A6 = 1 for unlocked or A6 = 0 for locked.

CR = Configuration Register address bits A19–A12.

Notes:

- See Table 1 for description of bus operations.
- All values are in hexadecimal.
- Except for the read cycle and the fourth cycle of the autoselect command sequence, all bus cycles are write cycles.
- Data bits DQ15–DQ8 are don't care in command sequences, except for RD and PD.
- Unless otherwise noted, address bits A21–A12 are don't cares.
- No unlock or command cycles required when bank is reading array data.
- The Reset command is required to return to reading array data (or to the erase-suspend-read mode if previously in Erase Suspend) when a bank is in the autoselect mode, or if DQ5 goes high (while the bank is providing status information) or performing sector lock/unlock.
- The fourth cycle of the autoselect command sequence is a read cycle. The system must provide the bank address. See the Autoselect Command Sequence section for more information.
- The data in the fifth cycle is 2204h for 1.8 V V_{IO}, and 2214h for 3.0 V V_{IO} (top boot); 2224h for 1.8 V V_{IO}, and 2234h for 3.0 V V_{IO} (bottom boot).
- The data is 0000h for an unlocked sector and 0001h for a locked sector.
- The data is 0043h for handshaking provided and 0042h for handshaking not provided.
- The Unlock Bypass command sequence is required prior to this command sequence.
- The Unlock Bypass Reset command is required to return to reading array data when the bank is in the unlock bypass mode.
- The system may read and program in non-erasing sectors, or enter the autoselect mode, when in the Erase Suspend mode. The Erase Suspend command is valid only during a sector erase operation, and requires the bank address.
- The Erase Resume command is valid only during the Erase Suspend mode, and requires the bank address.
- See "Set Burst Mode Configuration Register Command Sequence" for details.
- Command is valid when device is ready to read array data or when device is in autoselect mode.

Write Operation Status

The device provides several bits to determine the status of a program or erase operation: DQ2, DQ3, DQ5, DQ6, and DQ7. [Table 15, “Write Operation Status,” on page 43](#) and the following subsections describe the function of these bits. DQ7 and DQ6 each offers a method for determining whether a program or erase operation is complete or in progress.

DQ7: Data# Polling

The Data# Polling bit, DQ7, indicates to the host system whether an Embedded Program or Erase algorithm is in progress or completed, or whether a bank is in Erase Suspend. Data# Polling is valid after the rising edge of the final WE# pulse in the command sequence.

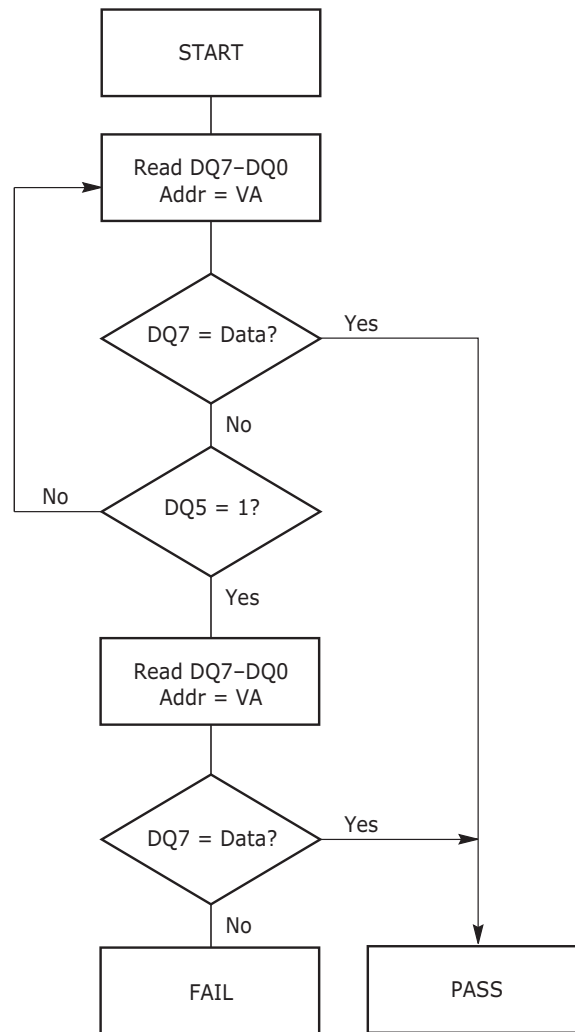
During the Embedded Program algorithm, the device outputs on DQ7 the complement of the datum programmed to DQ7. This DQ7 status also applies to programming during Erase Suspend. When the Embedded Program algorithm is complete, the device outputs the datum programmed to DQ7. The system must provide the program address to read valid status information on DQ7. If a program address falls within a protected sector, Data# Polling on DQ7 is active for approximately 1 μ s, then that bank returns to the read mode.

During the Embedded Erase algorithm, Data# Polling produces a “0” on DQ7. When the Embedded Erase algorithm is complete, or if the bank enters the Erase Suspend mode, Data# Polling produces a “1” on DQ7. The system must provide an address within any of the sectors selected for erasure to read valid status information on DQ7.

After an erase command sequence is written, if all sectors selected for erasing are protected, Data# Polling on DQ7 is active for approximately 100 μ s, then the bank returns to the read mode. If not all selected sectors are protected, the Embedded Erase algorithm erases the unprotected sectors, and ignores the selected sectors that are protected. However, if the system reads DQ7 at an address within a protected sector, the status may not be valid.

Just prior to the completion of an Embedded Program or Erase operation, DQ7 may change asynchronously with DQ6–DQ0 while Output Enable (OE#) is asserted low. That is, the device may change from providing status information to valid data on DQ7. Depending on when the system samples the DQ7 output, it may read the status or valid data. Even if the device has completed the program or erase operation and DQ7 has valid data, the data outputs on DQ6–DQ0 may be still invalid. Valid data on DQ7–DQ0 will appear on successive read cycles.

[Table 15](#) shows the outputs for Data# Polling on DQ7. [Figure 3](#) shows the Data# Polling algorithm. [Figure 27, “Data# Polling Timings \(During Embedded Algorithm\),” on page 65](#) in the AC Characteristics section shows the Data# Polling timing diagram.

**Notes:**

1. *VA = Valid address for programming. During a sector erase operation, a valid address is any sector address within the sector being erased. During chip erase, a valid address is any non-protected sector address.*
2. *DQ7 should be rechecked even if DQ5 = "1" because DQ7 may change simultaneously with DQ5.*

Figure 4. Data# Polling Algorithm

RDY: Ready

The RDY is a dedicated output that, by default, indicates (when at logic low) the system should wait 1 clock cycle before expecting the next word of data. Using the RDY Configuration Command Sequence, RDY can be set so that a logic low indicates the system should wait 2 clock cycles before expecting valid data.

RDY functions only while reading data in burst mode. The following conditions cause the RDY output to be low: during the initial access (in burst mode), and after the boundary that occurs every 64 words beginning with the 64th address, 3Fh.

DQ6: Toggle Bit I

Toggle Bit I on DQ6 indicates whether an Embedded Program or Erase algorithm is in progress or complete, or whether the device has entered the Erase Suspend mode. Toggle Bit I may be read at any address in the same bank, and is valid after the rising edge of the final WE# pulse in the command sequence (prior to the program or erase operation), and during the sector erase time-out.

During an Embedded Program or Erase algorithm operation, successive read cycles to any address cause DQ6 to toggle. When the operation is complete, DQ6 stops toggling.

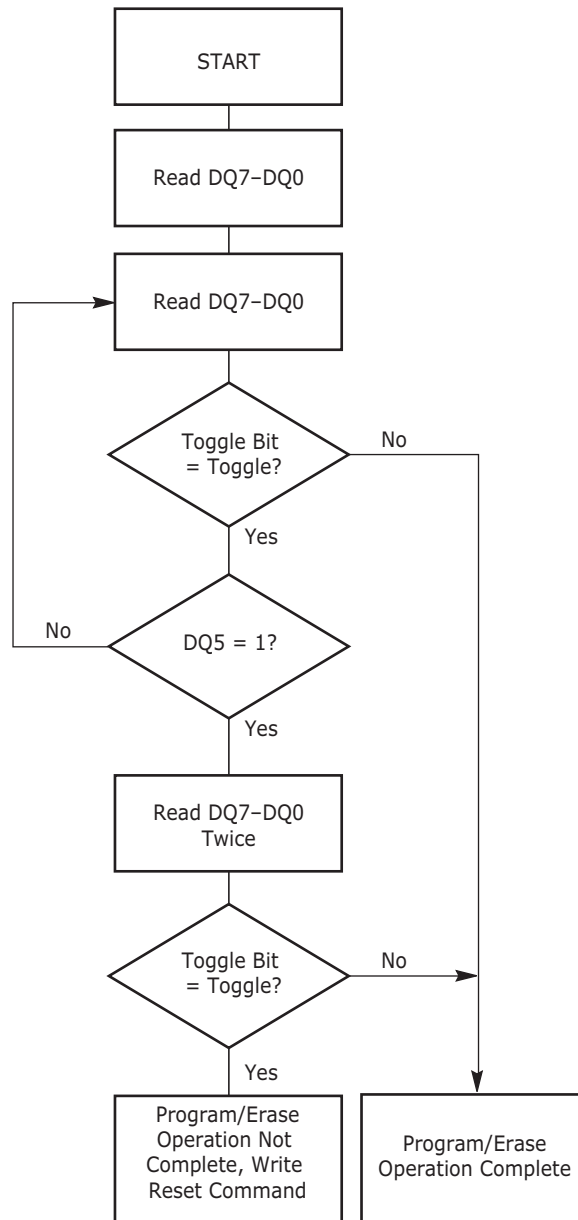
After an erase command sequence is written, if all sectors selected for erasing are protected, DQ6 toggles for approximately 100 μ s, then returns to reading array data. If not all selected sectors are protected, the Embedded Erase algorithm erases the unprotected sectors, and ignores the selected sectors that are protected.

The system can use DQ6 and DQ2 together to determine whether a sector is actively erasing or is erase-suspended. When the device is actively erasing (that is, the Embedded Erase algorithm is in progress), DQ6 toggles. When the device enters the Erase Suspend mode, DQ6 stops toggling. However, the system must also use DQ2 to determine which sectors are erasing or erase-suspended. Alternatively, the system can use DQ7 (see the subsection on DQ7: Data# Polling).

If a program address falls within a protected sector, DQ6 toggles for approximately 1 ms after the program command sequence is written, then returns to reading array data.

DQ6 also toggles during the erase-suspend-program mode, and stops toggling once the Embedded Program algorithm is complete.

See the following for additional information: Figure 4 (toggle bit flowchart), DQ6: Toggle Bit I (description), [Figure 28, "Toggle Bit Timings \(During Embedded Algorithm\)," on page 65](#) (toggle bit timing diagram), and [Table 14, "DQ6 and DQ2 Indications," on page 42](#).



Note: The system should recheck the toggle bit even if $DQ5 = "1"$ because the toggle bit may stop toggling as $DQ5$ changes to "1." See the subsections on $DQ6$ and $DQ2$ for more information.

Figure 5. Toggle Bit Algorithm

DQ2: Toggle Bit II

The "Toggle Bit II" on $DQ2$, when used with $DQ6$, indicates whether a particular sector is actively erasing (that is, the Embedded Erase algorithm is in progress), or whether that sector is erase-suspended. Toggle Bit II is valid after the rising edge of the final $WE\#$ pulse in the command sequence.

$DQ2$ toggles when the system reads at addresses within those sectors that have been selected for erasure. But $DQ2$ cannot distinguish whether the sector is actively erasing or is erase-suspended. $DQ6$, by comparison, indicates whether the device is actively erasing, or is in Erase Suspend, but cannot distinguish which

sectors are selected for erasure. Thus, both status bits are required for sector and mode information. Refer to [Table 14](#) to compare outputs for DQ2 and DQ6.

See the following for additional information: [Figure 5, "Toggle Bit Algorithm,"](#) on page 41, [See "DQ6: Toggle Bit 1" on page 40.](#), [Figure 28, "Toggle Bit Timings \(During Embedded Algorithm\),"](#) on page 65, and [Table 14, "DQ6 and DQ2 Indications,"](#) on page 42.

Table 14. DQ6 and DQ2 Indications

If device is	and the system reads	then DQ6	and DQ2
programming,	at any address,	toggles,	does not toggle.
actively erasing,	at an address within a sector selected for erasure,	toggles,	also toggles.
	at an address within sectors <i>not</i> selected for erasure,	toggles,	does not toggle.
erase suspended,	at an address within a sector selected for erasure,	does not toggle,	toggles.
	at an address within sectors <i>not</i> selected for erasure,	returns array data,	returns array data. The system can read from any sector not selected for erasure.
programming in erase suspend	at any address,	toggles,	is not applicable.

Reading Toggle Bits DQ6/DQ2

Refer to [Figure 4](#) for the following discussion. Whenever the system initially begins reading toggle bit status, it must read DQ7–DQ0 at least twice in a row to determine whether a toggle bit is toggling. Typically, the system would note and store the value of the toggle bit after the first read. After the second read, the system would compare the new value of the toggle bit with the first. If the toggle bit is not toggling, the device has completed the program or erase operation. The system can read array data on DQ7–DQ0 on the following read cycle.

However, if after the initial two read cycles, the system determines that the toggle bit is still toggling, the system also should note whether the value of DQ5 is high (see the section on DQ5). If it is, the system should then determine again whether the toggle bit is toggling, since the toggle bit may have stopped toggling just as DQ5 went high. If the toggle bit is no longer toggling, the device has successfully completed the program or erase operation. If it is still toggling, the device did not completed the operation successfully, and the system must write the reset command to return to reading array data.

The remaining scenario is that the system initially determines that the toggle bit is toggling and DQ5 has not gone high. The system may continue to monitor the toggle bit and DQ5 through successive read cycles, determining the status as described in the previous paragraph. Alternatively, it may choose to perform other system tasks. In this case, the system must start at the beginning of the algorithm when it returns to determine the status of the operation (top of [Figure 4](#)).

DQ5: Exceeded Timing Limits

DQ5 indicates whether the program or erase time has exceeded a specified internal pulse count limit. Under these conditions DQ5 produces a "1," indicating that the program or erase cycle was not successfully completed.

The device may output a "1" on DQ5 if the system tries to program a "1" to a location that was previously programmed to "0." Only an erase operation can change a "0" back to a "1." Under this condition, the device halts the operation, and when the timing limit has been exceeded, DQ5 produces a "1."

Under both these conditions, the system must write the reset command to return to the read mode (or to the erase-suspend-read mode if a bank was previously in the erase-suspend-program mode).

DQ3: Sector Erase Timer

After writing a sector erase command sequence, the system may read DQ3 to determine whether or not erasure has begun. (The sector erase timer does not apply to the chip erase command.) If additional sectors are selected for erasure, the entire time-out also applies after each additional sector erase command. When the time-out period is complete, DQ3 switches from a "0" to a "1." If the time between additional sector erase commands from the system can be assumed to be less than 50 μ s, the system need not monitor DQ3. See also the Sector Erase Command Sequence section.

After the sector erase command is written, the system should read the status of DQ7 (Data# Polling) or DQ6 (Toggle Bit I) to ensure that the device has accepted the command sequence, and then read DQ3. If DQ3 is "1," the Embedded Erase algorithm has begun; all further commands (except Erase Suspend) are ignored until the erase operation is complete. If DQ3 is "0," the device will accept additional sector erase commands. To ensure the command has been accepted, the system software should check the status of DQ3 prior to and following each subsequent sector erase command. If DQ3 is high on the second status check, the last command might not have been accepted.

Table 15 shows the status of DQ3 relative to the other status bits.

Table 15. Write Operation Status

Status		DQ7 (Note 2)	DQ6	DQ5 (Note 1)	DQ3	DQ2 (Note 2)	
Standard Mode	Embedded Program Algorithm	DQ7#	Toggle	0	N/A	No toggle	
	Embedded Erase Algorithm	0	Toggle	0	1	Toggle	
Erase Suspend Mode	Erase-Suspend-Read (Note 4)	Erase Suspended Sector	1	No toggle	0	N/A	Toggle
		Non-Erase Suspended Sector	Data	Data	Data	Data	Data
	Erase-Suspend-Program	DQ7#	Toggle	0	N/A	N/A	

Notes:

1. DQ5 switches to '1' when an Embedded Program or Embedded Erase operation has exceeded the maximum timing limits. Refer to the section on DQ5 for more information.
2. DQ7 and DQ2 require a valid address when reading status information. Refer to the appropriate subsection for further details.
3. When reading write operation status bits, the system must always provide the bank address where the Embedded Algorithm is in progress. The device outputs array data if the system addresses a non-busy bank.
4. The system may read either asynchronously or synchronously (burst) while in erase suspend. RDY will function exactly as in non-erase-suspended mode.

Absolute Maximum Ratings

Storage Temperature, Plastic Packages	-65°C to +150°C
Ambient Temperature with Power Applied	-65°C to +125°C
Voltage with Respect to Ground:	
All Inputs and I/Os except as noted below (Note 1)	-0.5 V to $V_{IO} + 0.5$ V
V_{CC} (Note 1)	-0.5 V to +2.5 V
V_{IO}	-0.5 V to +3.5 V
ACC.	-0.5 V to +12.5 V
Output Short Circuit Current (Note 3)	100 mA

Notes:

1. Minimum DC voltage on input or I/Os is -0.5 V. During voltage transitions, inputs or I/Os may undershoot V_{SS} to -2.0 V for periods of up to 20 ns during voltage transitions inputs might overshoot to $V_{CC} + 0.5$ V for periods up to 20 ns. See Figure 6. Maximum DC voltage on input or I/Os is $V_{CC} + 0.5$ V. During voltage transitions outputs may overshoot to $V_{CC} + 2.0$ V for periods up to 20 ns. See Figure 7.
2. No more than one output may be shorted to ground at a time. Duration of the short circuit should not be greater than one second.
3. Stresses above those listed under "Absolute Maximum Ratings" may cause permanent damage to the device. This is a stress rating only; functional operation of the device at these or any other conditions above those indicated in the operational sections of this data sheet is not implied. Exposure of the device to absolute maximum rating conditions for extended periods may affect device reliability.

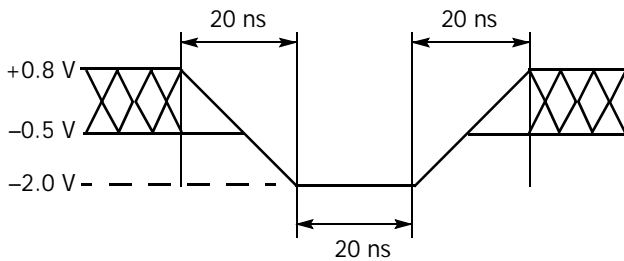


Figure 6. Maximum Negative Overshoot Waveform

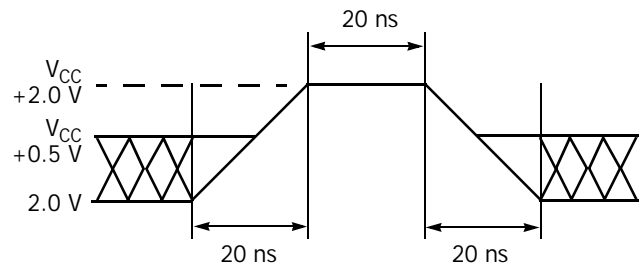


Figure 7. Maximum Positive Overshoot Waveform

Operating Ranges

Industrial (I) Devices

Ambient Temperature (T_A)	-40°C to +85°C
---	----------------

Supply Voltages

V_{CC} Supply Voltages	+1.65 V to +1.95 V
------------------------------------	--------------------

V_{IO} Supply Voltages:

$V_{IO} \leq V_{CC}$	+1.65 V to +1.95 V
$V_{IO} > V_{CC}$	+2.7 to +3.15 V

Note: Operating ranges define those limits between which the functionality of the device is guaranteed.

DC Characteristics

CMOS Compatible

Parameter	Description	Test Conditions (Note 1,2)	Min	Typ.	Max	Unit
I_{LI}	Input Load Current	$V_{IN} = V_{SS}$ to V_{CC} , $V_{CC} = V_{CCmax}$			± 1	μA
I_{LO}	Output Leakage Current	$V_{OUT} = V_{SS}$ to V_{CC} , $V_{CC} = V_{CCmax}$			± 1	μA
I_{CCB}	V_{CC} Active Burst Read Current	$CE\# = V_{IL}$, $OE\# = V_{IH}$, $WE\# = V_{IH}$, 54 MHz		10	20	mA
		$CE\# = V_{IL}$, $OE\# = V_{IH}$, $WE\# = V_{IH}$, 40 MHz		8	16	mA
I_{IO}	V_{IO} Non-active Output	$V_{IO} = 1.8 V$, $OE\# = V_{IH}$		0.2	10	μA
		$V_{IO} = 3.0 V$, $OE\# = V_{IH}$		0.2	10	μA
I_{CC1}	V_{CC} Active Asynchronous Read Current (Note 3)	$CE\# = V_{IL}$, $OE\# = V_{IH}$, $WE\# = V_{IH}$	5 MHz	12	16	mA
			1 MHz	3.5	5	mA
I_{CC2}	V_{CC} Active Write Current (Note 4)	$CE\# = V_{IL}$, $OE\# = V_{IH}$, $V_{PP} = V_{IH}$		15	40	mA
I_{CC3}	V_{CC} Standby Current (Note 5)	$CE\# = RESET\# = V_{CC} \pm 0.2 V$		0.2	10	μA
I_{CC4}	V_{CC} Reset Current	$RESET\# = V_{IL}$, $CLK = V_{IL}$		0.2	10	μA
I_{CC5}	V_{CC} Active Current (Read While Write)	$CE\# = V_{IL}$, $OE\# = V_{IH}$		25	60	mA
V_{IL}	Input Low Voltage	$V_{IO} = 1.8 V$	-0.5		0.2	V
		$V_{IO} = 3.0 V$	-0.5		0.4	V
V_{IH}	Input High Voltage	$V_{IO} = 1.8 V$	$V_{IO} - 0.2$		$V_{IO} + 0.2$	V
		$V_{IO} = 3.0 V$	$V_{IO} - 0.4$		$V_{IO} + 0.4$	V
V_{OL}	Output Low Voltage	$I_{OL} = 100 \mu A$, $V_{CC} = V_{CC min}$, $V_{IO} = V_{IO min}$			0.1	V
V_{OH}	Output High Voltage	$I_{OH} = -100 \mu A$, $V_{CC} = V_{CC min}$, $V_{IO} = V_{IO min}$	$V_{IO} - 0.1$			V
V_{ID}	Voltage for Accelerated Program		11.5		12.5	V
V_{LKO}	Low V_{CC} Lock-out Voltage		1.0		1.4	V

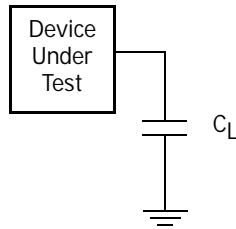
Notes:

1. Maximum I_{CC} specifications are tested with $V_{CC} = V_{CCmax}$.
2. All I_{CC} specifications are tested with $V_{IO} = V_{CC}$.
3. The I_{CC} current listed is typically less than 2 mA/MHz, with $OE\#$ at V_{IH} .
4. I_{CC} active while Embedded Erase or Embedded Program is in progress.
5. Device enters automatic sleep mode when addresses are stable for $t_{ACC} + 60 ns$. Typical sleep mode current is equal to I_{CC3} .

Test Conditions

Table 16. Test Specifications

Test Condition	All Speed Options	Unit
Output Load Capacitance, C_L (including jig capacitance)	30	pF
Input Rise and Fall Times	5	ns
Input Pulse Levels	0.0– V_{IO}	V
Input timing measurement reference levels	$V_{IO}/2$	V
Output timing measurement reference levels	$V_{IO}/2$	V



Note: Diodes are IN3064 or equivalent

Figure 8. Test Setup

Key to Switching Waveforms

WAVEFORM	INPUTS	OUTPUTS
	Steady	
	Changing from H to L	
	Changing from L to H	
	Don't Care, Any Change Permitted	Changing, State Unknown
	Does Not Apply	Center Line is High Impedance State (High Z)

Switching Waveforms

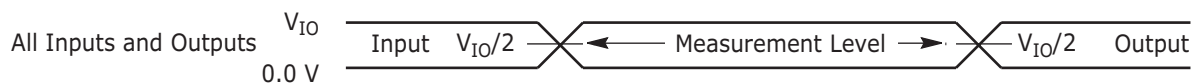


Figure 9. Input Waveforms and Measurement Levels

AC Characteristics

V_{CC} and V_{IO} Power-up

Parameter	Description	Test Setup	Speed	Unit
t_{VCS}	V_{CC} Setup Time	Min	50	μs
t_{VIOS}	V_{IO} Setup Time	Min	50	μs
t_{RSTH}	RESET# Low Hold Time	Min	50	μs

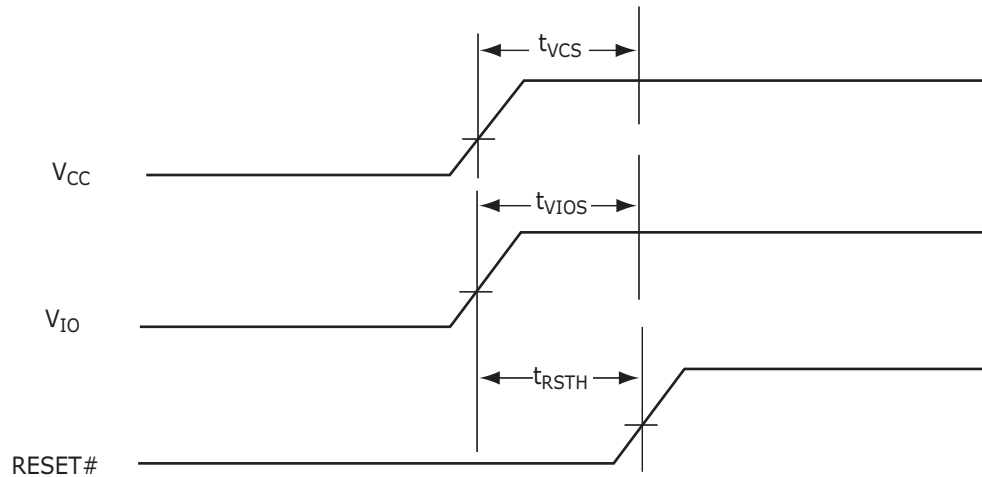


Figure 10. V_{CC} and V_{IO} Power-up Diagram

AC Characteristics

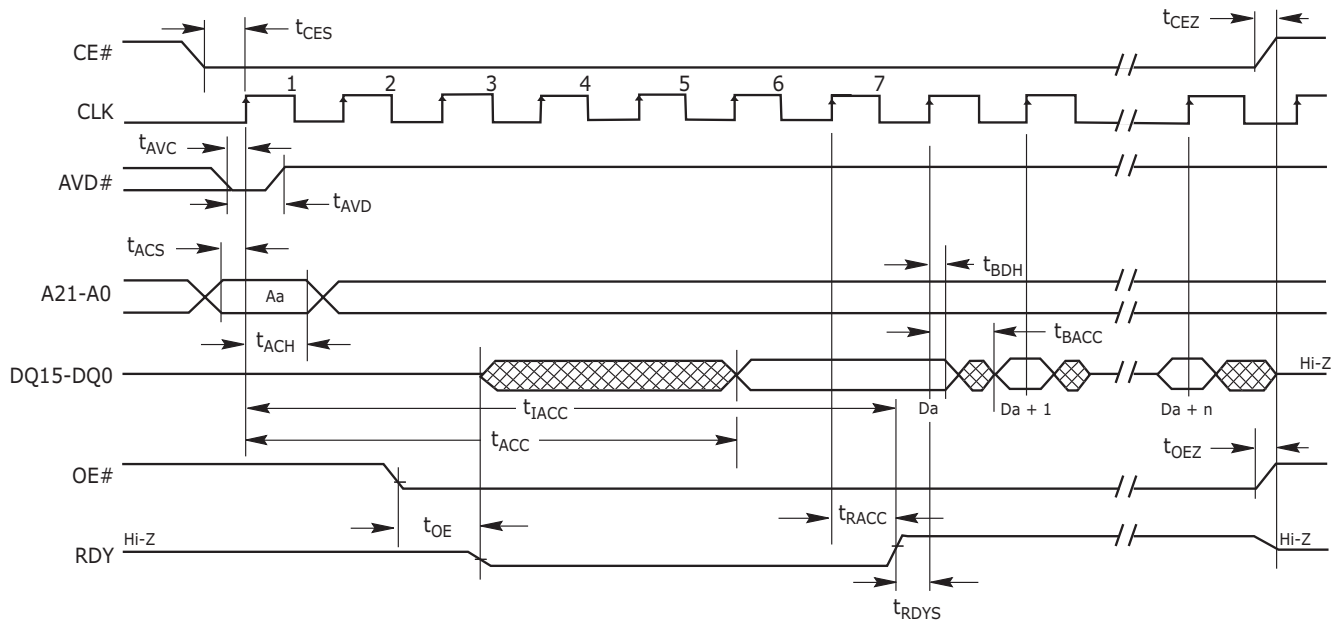
Synchronous/Burst Read

Parameter		Description		98	78	93	73	Unit
JEDEC	Standard			(40 MHz)	(54 MHz)	(40 MHz)	(54 MHz)	
	t_{IACC}	Latency (Even Address in Handshake Mode)	Max	95	87.5	95	88	ns
Parameter		Description		98, 99	78, 79	93, 94	73, 74	Unit
JEDEC	Standard			(40 MHz)	(54 MHz)	(40 MHz)	(54 MHz)	
	t_{IACC}	Latency—(Non-Handshake or Odd Address in Handshake mode)	Max	120	106	120	106.5	ns
	t_{BACC}	Burst Access Time Valid Clock to Output Delay	Max	20	13.5	20	14	ns
	t_{ACS}	Address Setup Time to CLK (See Note)	Min	5				ns
	t_{ACH}	Address Hold Time from CLK (See Note)	Min	7				ns
	t_{BDH}	Data Hold Time from Next Clock Cycle	Max	4				ns
	t_{OE}	Output Enable to Output Valid	Max	20	13.5	20	14	ns
	t_{CEZ}	Chip Enable to High Z	Max	10		10.5	10.5	ns
	t_{OEZ}	Output Enable to High Z	Max	10		10.5	10.5	ns
	t_{CES}	CE# Setup Time to CLK	Min	5				ns
	t_{RDYS}	RDY Setup Time to CLK	Min	5		4.5	4.5	ns
	t_{RACC}	Ready Access Time from CLK	Max	20	13.5	20	14	ns
	t_{AAS}	Address Setup Time to AVD# (See Note)	Min	5				ns
	t_{AAH}	Address Hold Time to AVD# (See Note)	Min	7				ns
	t_{CAS}	CE# Setup Time to AVD#	Min	0				ns
	t_{AVC}	AVD# Low to CLK	Min	5				ns
	t_{AVD}	AVD# Pulse	Min	12				ns
	t_{ACC}	Access Time	Max	70				ns

Note: Addresses are latched on the first of either the active edge of CLK or the rising edge of AVD#.

AC Characteristics

7 cycles for initial access shown.

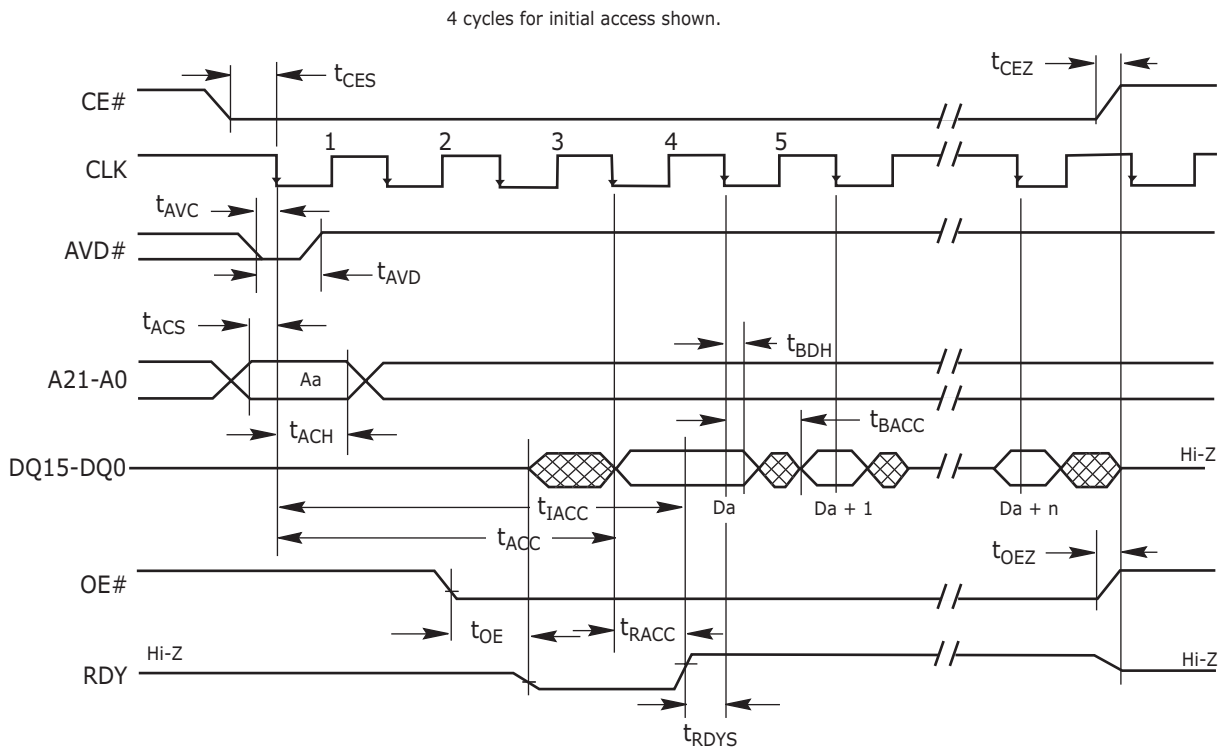


Notes:

1. Figure shows total number of wait states set to seven cycles. The total number of wait states can be programmed from two cycles to seven cycles.
2. If any burst address occurs at a 64-word boundary, one additional clock cycle is inserted, and is indicated by RDY.
3. The device is in synchronous mode.

Figure II. CLK Synchronous Burst Mode Read (rising active CLK)

AC Characteristics

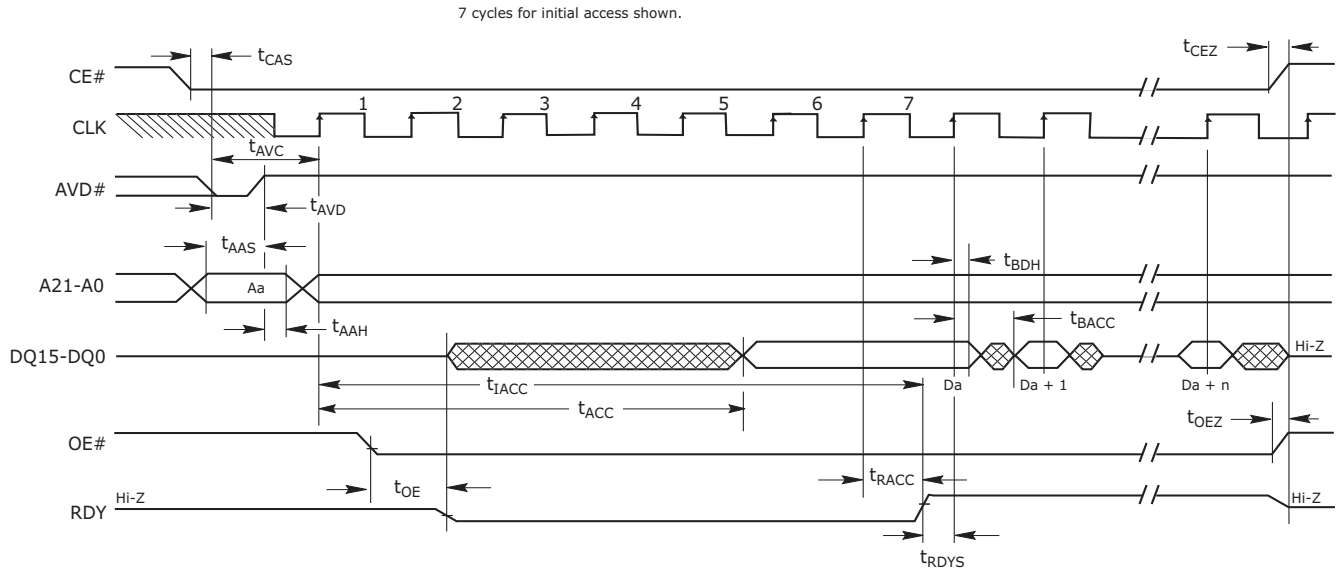


Notes:

1. Figure shows total number of wait states set to four cycles. The total number of wait states can be programmed from two cycles to seven cycles. Clock is set for active falling edge.
2. If any burst address occurs at a 64-word boundary, one additional clock cycle is inserted, and is indicated by RDY.
3. The device is in synchronous mode.
4. In the Burst Mode Configuration Register, A17 = 0.

Figure I2. CLK Synchronous Burst Mode Read (Falling Active Clock)

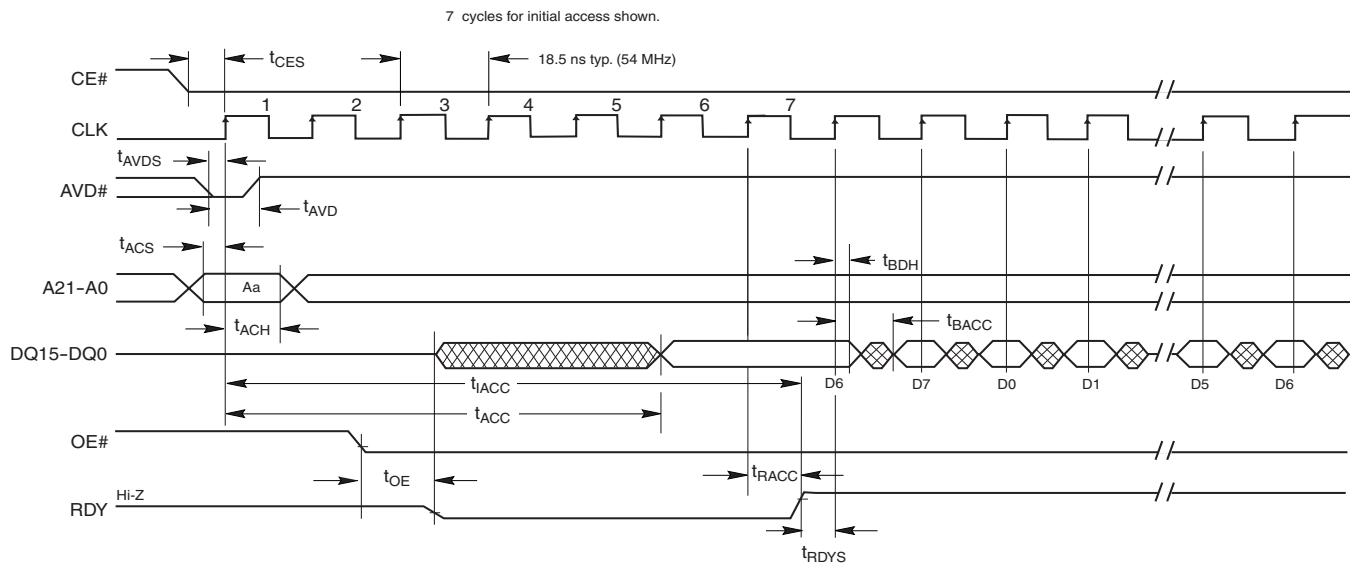
AC Characteristics



Notes:

1. Figure shows total number of wait states set to seven cycles. The total number of wait states can be programmed from two cycles to seven cycles. Clock is set for active rising edge.
2. If any burst address occurs at a 64-word boundary, one additional clock cycle is inserted, and is indicated by RDY.
3. The device is in synchronous mode.
4. In the Burst Mode Configuration Register, A17 = 1.

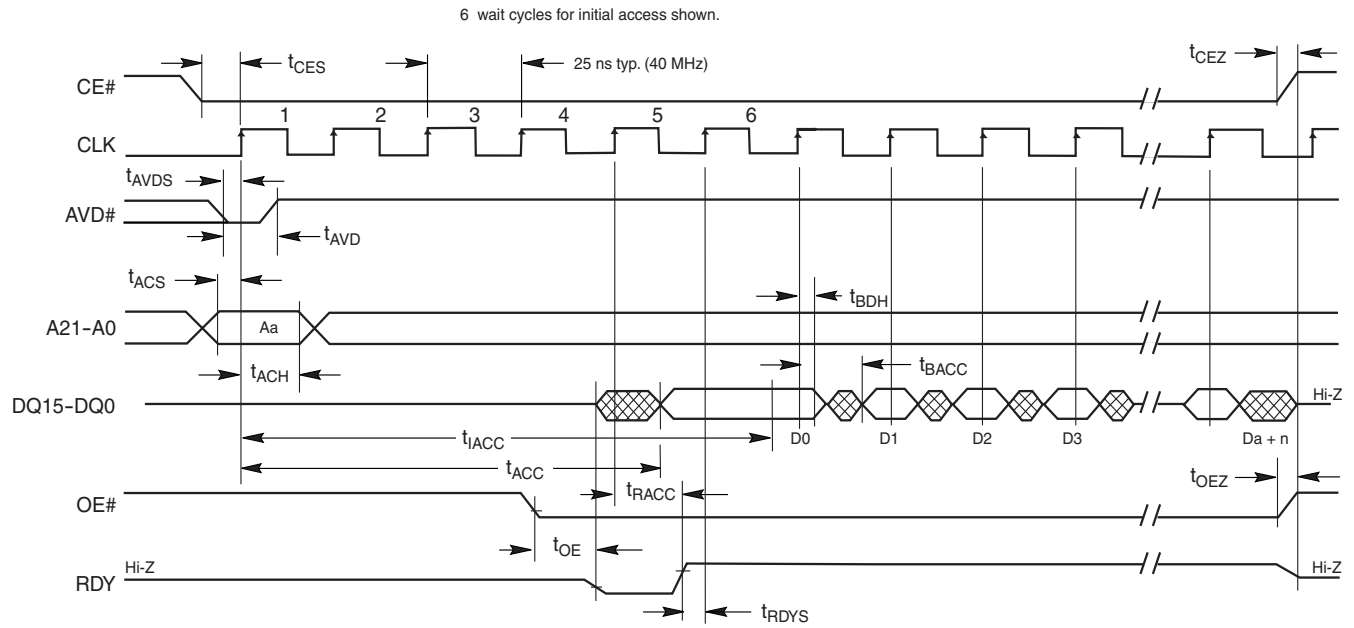
Figure I3. Synchronous Burst Mode Read



Note: Figure assumes 7 wait states for initial access, 54 MHz clock, and automatic detect synchronous read. D0–D7 in data waveform indicate the order of data within a given 8-word address range, from lowest to highest. Data will wrap around within the 8 words non-stop unless the RESET# is asserted low, or AVD# latches in another address. Starting address in figure is the 7th address in range (A6). See “Requirements for Synchronous (Burst) Read Operation”. The Set Configuration Register command sequence has been written with A18=1; device will output RDY with valid data.

Figure I4. 8-word Linear Burst with Wrap Around

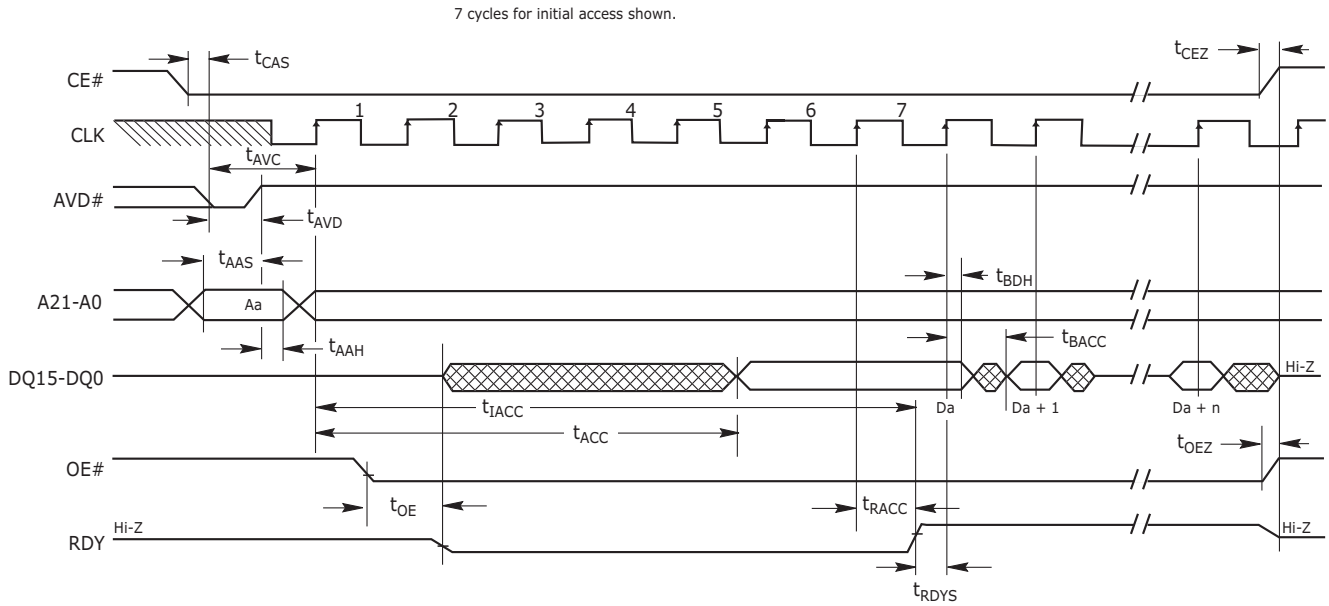
AC Characteristics



Note: Figure assumes 6 wait states for initial access, 40 MHz clock, and synchronous read. The Set Configuration Register command sequence has been written with A18=0; device will output RDY one cycle before valid data.

Figure 15. Burst with RDY Set One Cycle Before Data

AC Characteristics



Notes:

1. Figure shows total number of wait states set to seven cycles. The total number of wait states can be programmed from two cycles to seven cycles. Clock is set for active rising edge.
2. If any burst address occurs at a 64-word boundary, one additional clock cycle is inserted, and is indicated by RDY.
3. The device is in synchronous mode.
4. This waveform represents a synchronous burst mode, the device will also operate in reduced wait-state handshaking under a CLK synchronous burst mode.

Figure I6. Reduced Wait-State Handshaking Burst Mode Read Starting at an Even Address

AC Characteristics

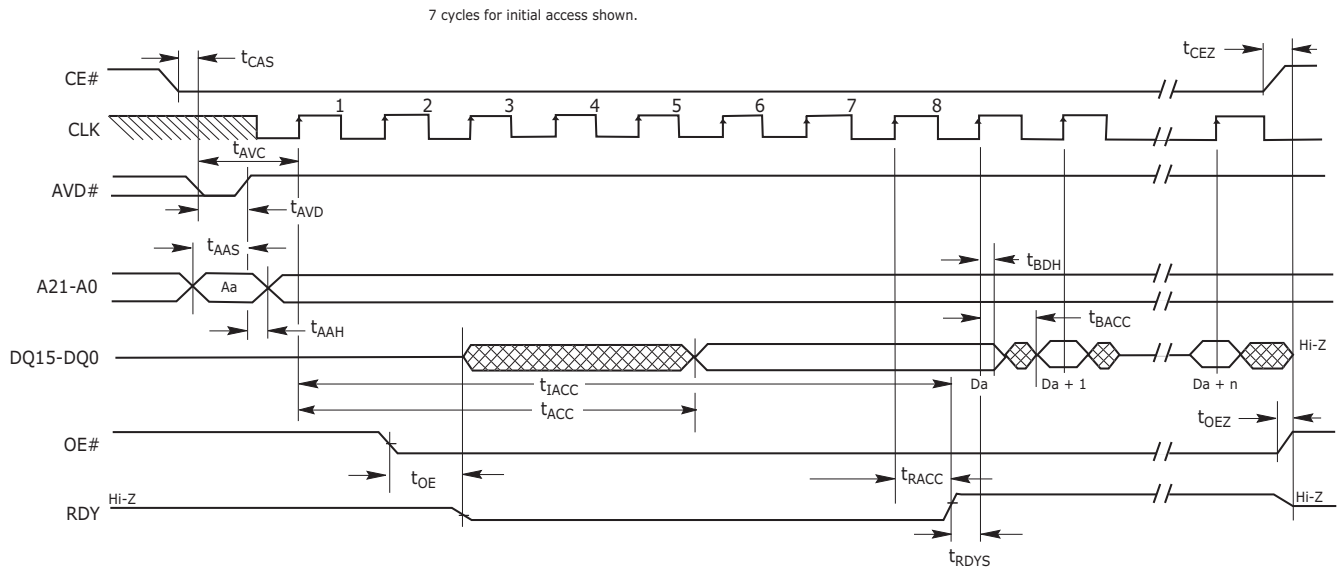


Figure 17. Reduced Wait-State Handshaking Burst Mode Read Starting at an Odd Address

Notes:

1. Figure shows total number of wait states set to seven cycles. The total number of wait states can be programmed from two cycles to seven cycles. Clock is set for active rising edge.
2. If any burst address occurs at a 64-word boundary, one additional clock cycle is inserted, and is indicated by RDY.
3. The device is in synchronous mode.
4. This waveform represents a synchronous burst mode, the device will also operate in reduced wait-state handshaking under a CLK synchronous burst mode.

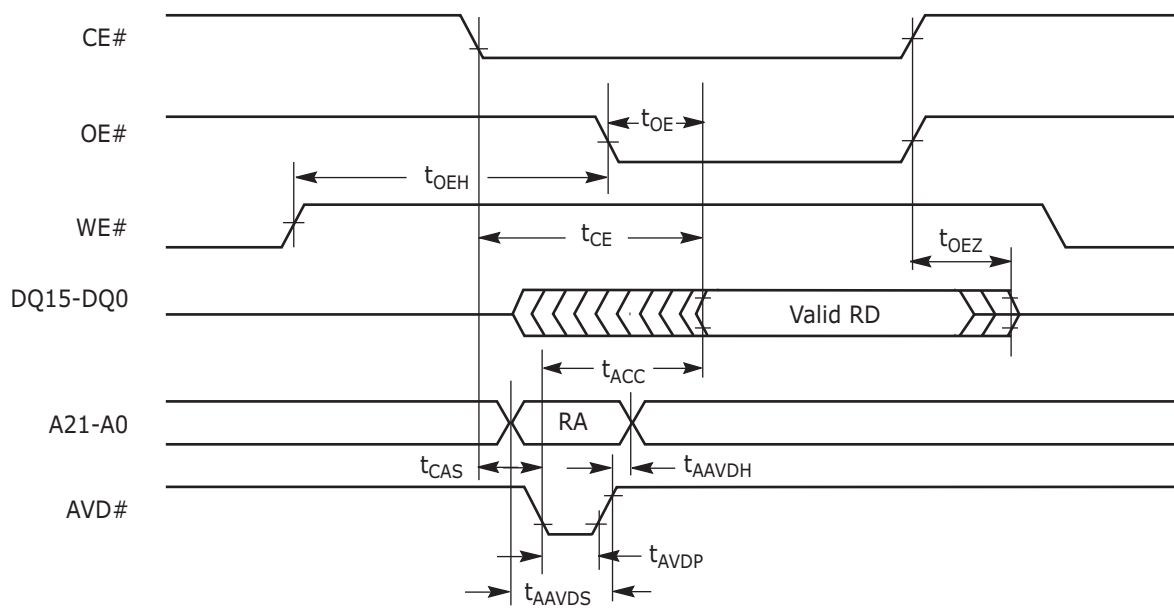
AC Characteristics

Asynchronous Read

Parameter		Description		D3, D4	C3, C4	Unit
JEDEC	Standard			D8, D9	C8, C9	
	t_{CE}	Access Time from CE# Low	Max	70	90	ns
	t_{ACC}	Asynchronous Access Time (Note 1)	Max	70	90	ns
	t_{AVDP}	AVD# Low Time	Min	12		ns
	t_{AAVDS}	Address Setup Time to Rising Edge of AVD	Min	5		ns
	t_{AAVDH}	Address Hold Time from Rising Edge of AVD	Min	7		ns
	t_{OE}	Output Enable to Output Valid	Max	13.5	20	ns
	t_{OEH}	Output Enable Hold Time	Read	0		ns
			Toggle and Data# Polling	10		ns
	t_{OEZ}	Output Enable to High Z (Note 2)	Max	10	10.5	ns
	t_{CAS}	CE# Setup Time to AVD#	Min	0		ns

Notes:

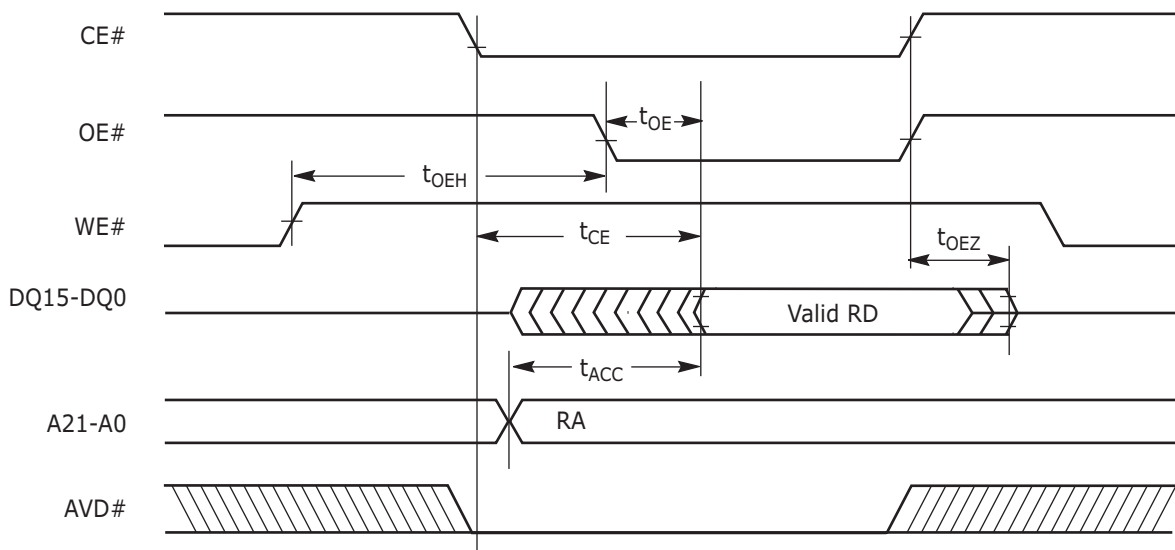
- Asynchronous Access Time is from the last of either stable addresses or the falling edge of AVD#.
- Not 100% tested.



Note: RA = Read Address, RD = Read Data.

Figure I8. Asynchronous Mode Read with Latched Addresses

AC Characteristics



Note: RA = Read Address, RD = Read Data.

Figure 19. Asynchronous Mode Read

AC Characteristics

Hardware Reset (RESET#)

Parameter		Description		All Speed Options	Unit
JEDEC	Std				
	t_{Readyw}	RESET# Pin Low (During Embedded Algorithms) to Read Mode (See Note)	Max	35	μs
	t_{Ready}	RESET# Pin Low (NOT During Embedded Algorithms) to Read Mode (See Note)	Max	500	ns
	t_{RP}	RESET# Pulse Width	Min	500	ns
	t_{RH}	Reset High Time Before Read (See Note)	Min	200	ns
	t_{RPD}	RESET# Low to Standby Mode	Min	20	μs

Note: Not 100% tested.

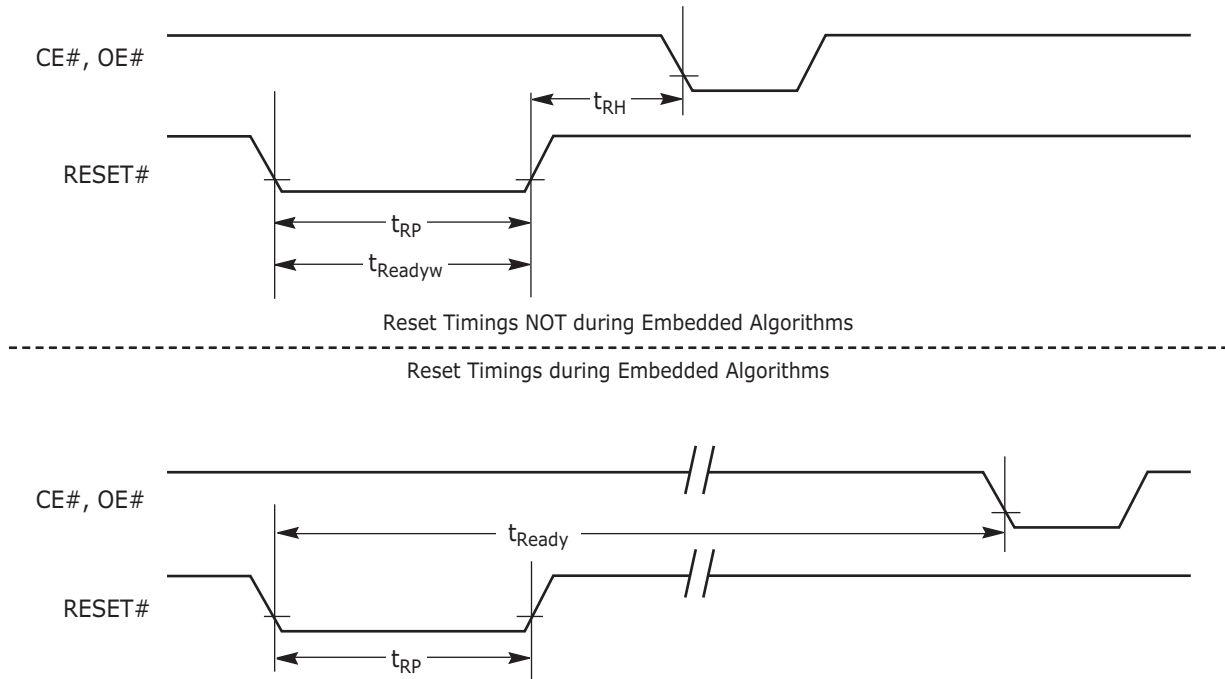


Figure 20. Reset Timings

AC Characteristics

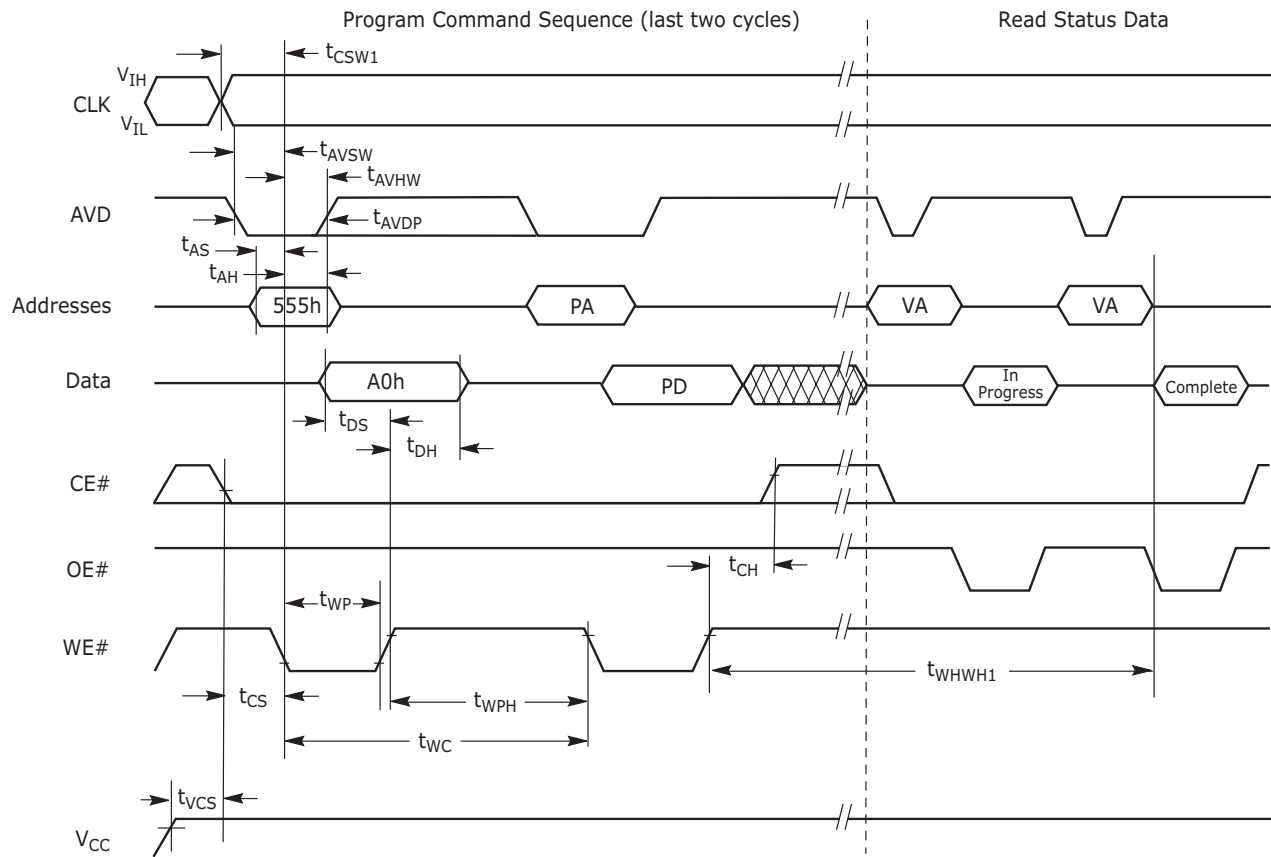
Erase/Program Operations

Parameter		Description		All Speed Options	Unit
JEDEC	Standard				
t_{AVAV}	t_{WC}	Write Cycle Time (Note 1)	Min	80	ns
t_{AVWL}	t_{AS}	Address Setup Time (Note 2)	Min	Synchronous	5
				Asynchronous	0
t_{WLAX}	t_{AH}	Address Hold Time (Note 2)	Min	Synchronous	7
				Asynchronous	45
	t_{ACS}	Address Setup Time to CLK (Note 2)	Min	5	ns
	t_{ACH}	Address Hold Time to CLK (Note 2)	Min	7	ns
t_{DVWH}	t_{DS}	Data Setup Time	Min	45	ns
t_{WHDX}	t_{DH}	Data Hold Time	Min	0	ns
t_{GHWL}	t_{GHWL}	Read Recovery Time Before Write	Min	0	ns
	t_{CAS}	CE# Setup Time to AVD#	Min	0	ns
t_{WHEH}	t_{CH}	CE# Hold Time	Min	0	ns
t_{WLWH}	t_{WP}	Write Pulse Width	Min	50	ns
t_{WHWL}	t_{WPH}	Write Pulse Width High	Min	30	ns
	$t_{SR/W}$	Latency Between Read and Write Operations	Min	0	ns
t_{WHWH1}	t_{WHWH1}	Programming Operation (Note 3)	Typ	8	μ s
t_{WHWH1}	t_{WHWH1}	Accelerated Programming Operation (Note 3)	Typ	2.5	μ s
t_{WHWH2}	t_{WHWH2}	Sector Erase Operation (Notes 3, 4)	Typ	0.2	sec
		Chip Erase Operation (Notes 3, 4)		26.8	
	t_{VID}	V_{ACC} Rise and Fall Time	Min	500	ns
	t_{VIDS}	V_{ACC} Setup Time (During Accelerated Programming)	Min	1	μ s
	t_{VCS}	V_{CC} Setup Time	Min	50	μ s
	t_{CSW1}	Clock Setup Time to WE# (Asynchronous)	Min	5	ns
	t_{CSW2}	Clock Setup Time to WE# (Synchronous)	Min	1	ns
	t_{CHW}	Clock Hold Time from WE#	Max	1	ns
t_{ELWL}	t_{CS}	CE# Setup Time to WE#	Min	0	ns
	t_{AVSW}	AVD# Setup Time to WE#	Min	5	ns
	t_{AVHW}	AVD# Hold Time to WE#	Min	5	ns
	t_{AVHC}	AVD# Hold Time to CLK	Min	5	ns
	t_{AVDP}	AVD# Low Time	Min	12	ns

Notes:

1. Not 100% tested.
2. In asynchronous timing, addresses are latched on the falling edge of WE#. In synchronous mode, addresses are latched on the first of either the rising edge of AVD# or the active edge of CLK.
3. See the "Erase and Programming Performance" section for more information.
4. Does not include the preprogramming time.

AC Characteristics

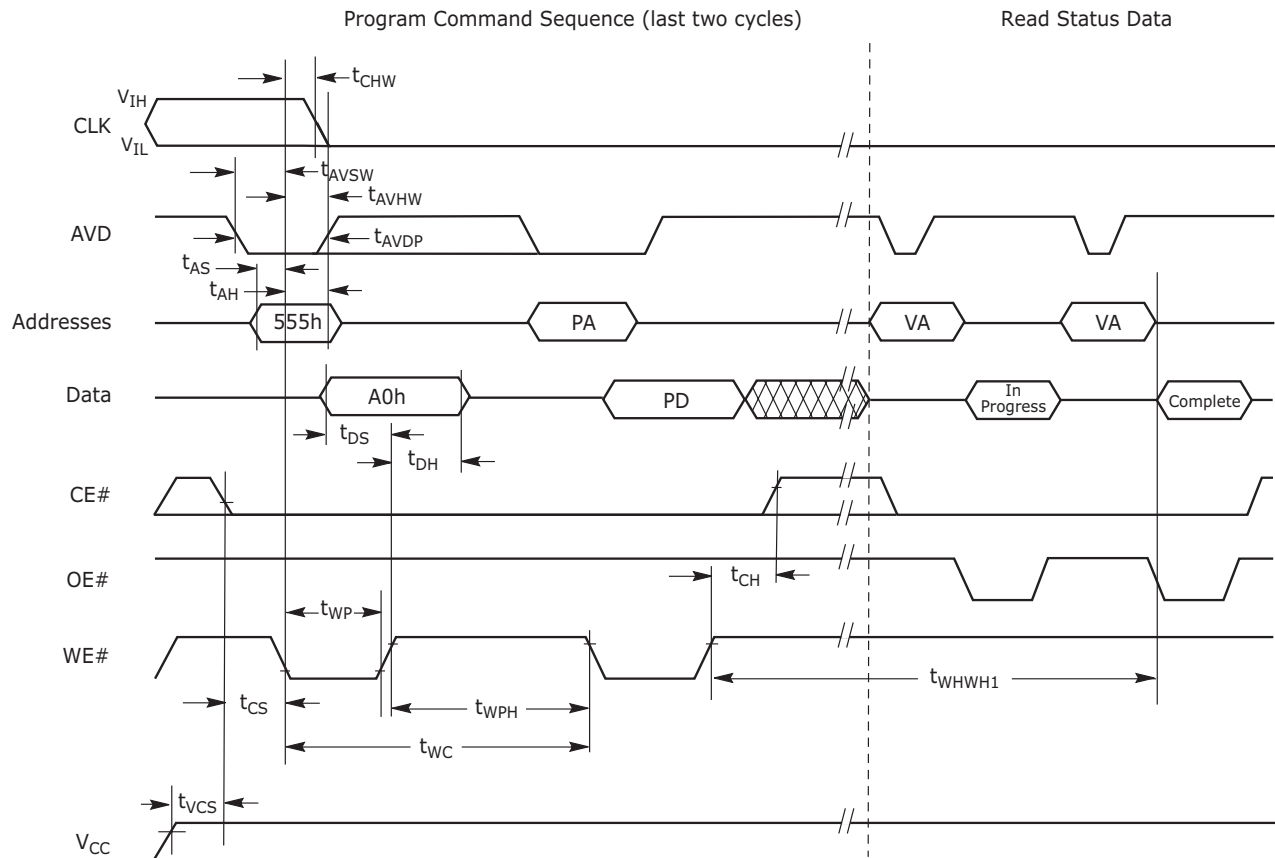


Notes:

1. PA = Program Address, PD = Program Data, VA = Valid Address for reading status bits.
2. "In progress" and "complete" refer to status of program operation.
3. A21–A12 are don't care during command sequence unlock cycles.
4. The Asynchronous programming operation is independent of the Set Device Read Mode bit in the Burst Mode Configuration Register.

Figure 21. Asynchronous Program Operation Timings

AC Characteristics

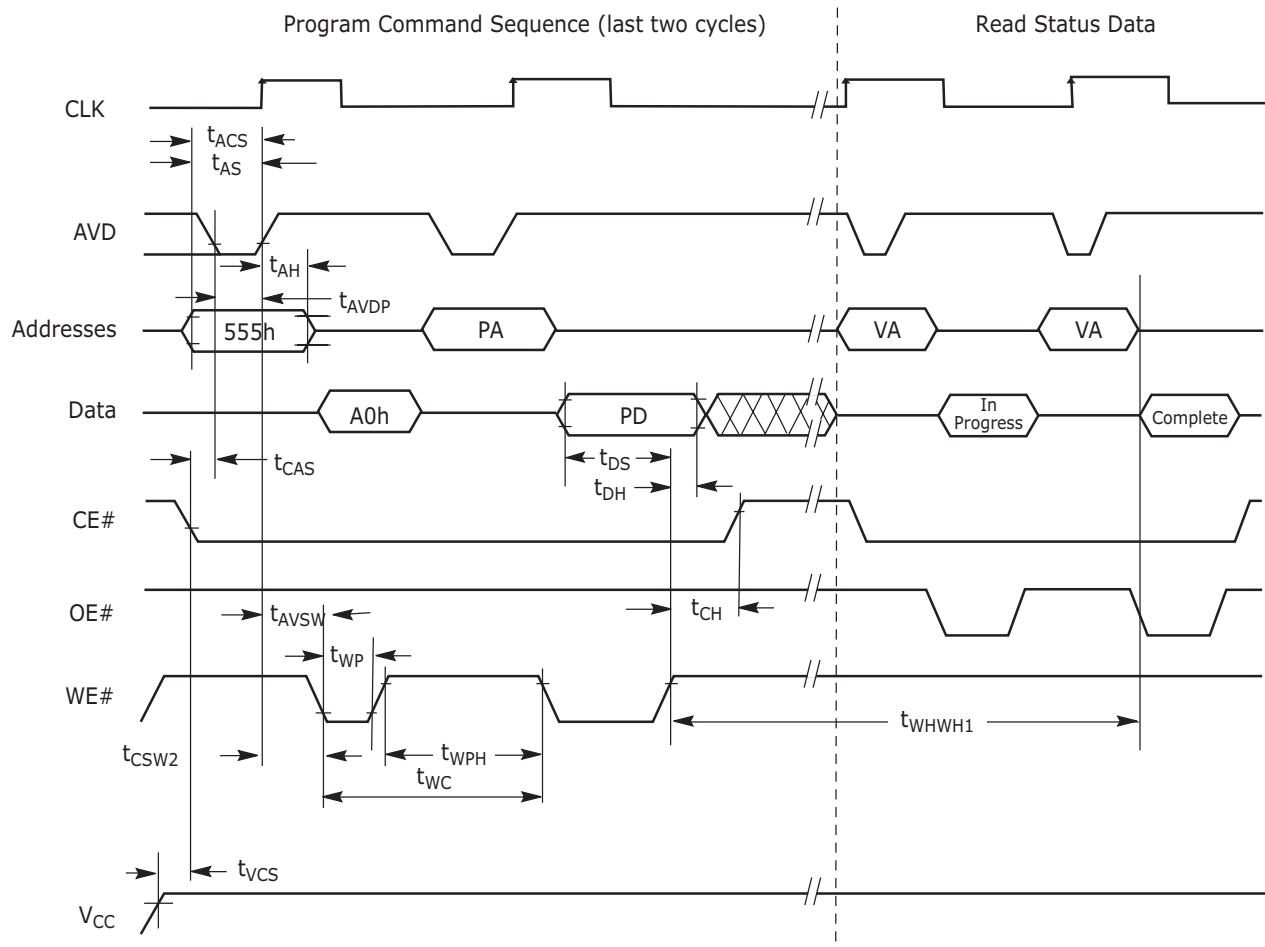


Notes:

1. PA = Program Address, PD = Program Data, VA = Valid Address for reading status bits.
2. "In progress" and "complete" refer to status of program operation.
3. A21–A12 are don't care during command sequence unlock cycles.
4. The Asynchronous programming operation is independent of the Set Device Read Mode bit in the Burst Mode Configuration Register.

Figure 22. Alternate Asynchronous Program Operation Timings

AC Characteristics

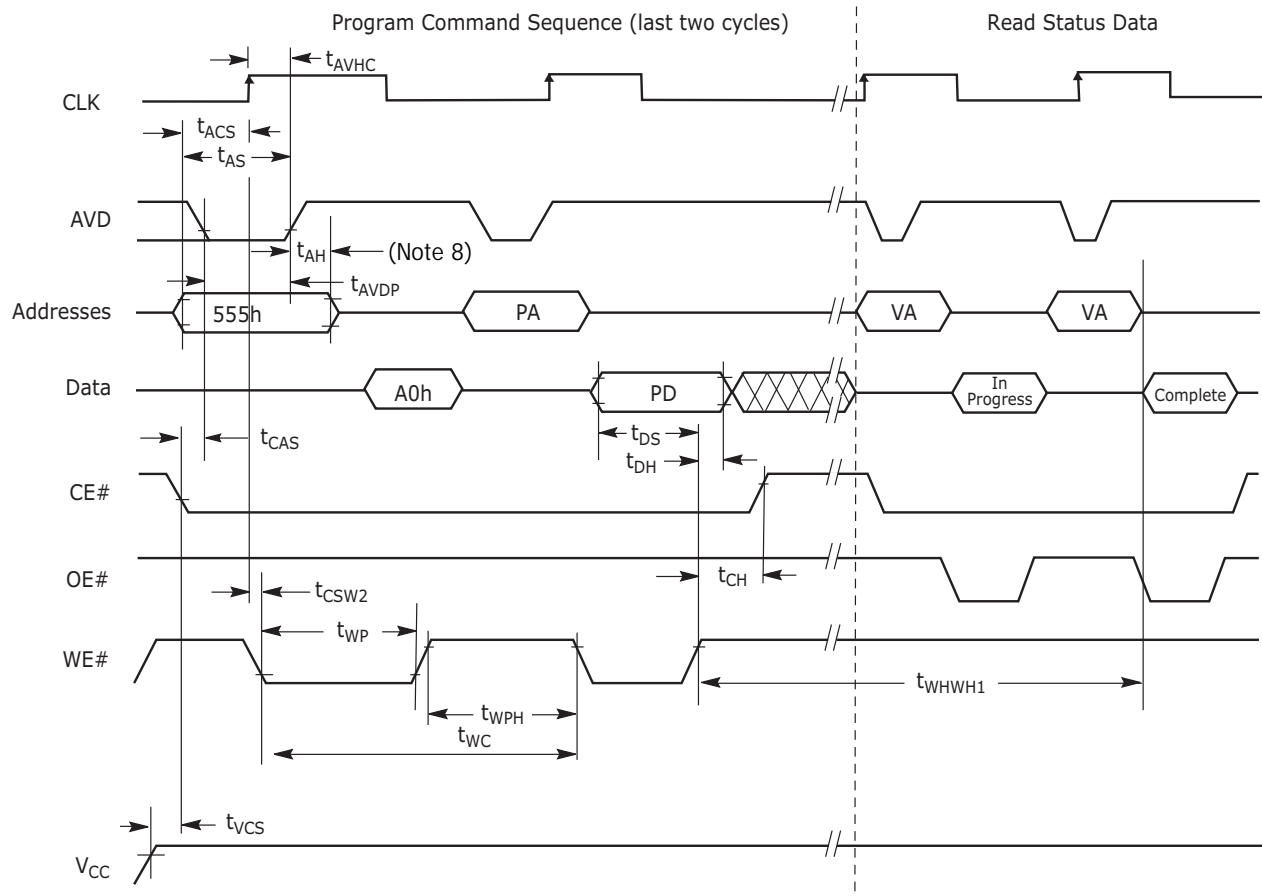


Notes:

1. PA = Program Address, PD = Program Data, VA = Valid Address for reading status bits.
2. "In progress" and "complete" refer to status of program operation.
3. A21–A12 are don't care during command sequence unlock cycles.
4. Addresses are latched on the first of either the rising edge of AVD# or the active edge of CLK.
5. Either CS# or AVD# is required to go from low to high in between programming command sequences.
6. The Synchronous programming operation is independent of the Set Device Read Mode bit in the Burst Mode Configuration Register.
7. CLK must not have an active edge while WE# is at V_{IL} .
8. AVD# must toggle during command sequence unlock cycles.

Figure 23. Synchronous Program Operation Timings

AC Characteristics



Notes:

1. PA = Program Address, PD = Program Data, VA = Valid Address for reading status bits.
2. "In progress" and "complete" refer to status of program operation.
3. A21–A12 are don't care during command sequence unlock cycles.
4. Addresses are latched on the first of either the rising edge of AVD# or the active edge of CLK.
5. Either CS# or AVD# is required to go from low to high in between programming command sequences.
6. The Synchronous programming operation is independent of the Set Device Read Mode bit in the Burst Mode Configuration Register.
7. AVD# must toggle during command sequence unlock cycles.
8. $t_{AH} = 45 \text{ ns}$.
9. CLK must not have an active edge while WE# is at V_{IL} .

Figure 24. Alternate Synchronous Program Operation Timings

AC Characteristics

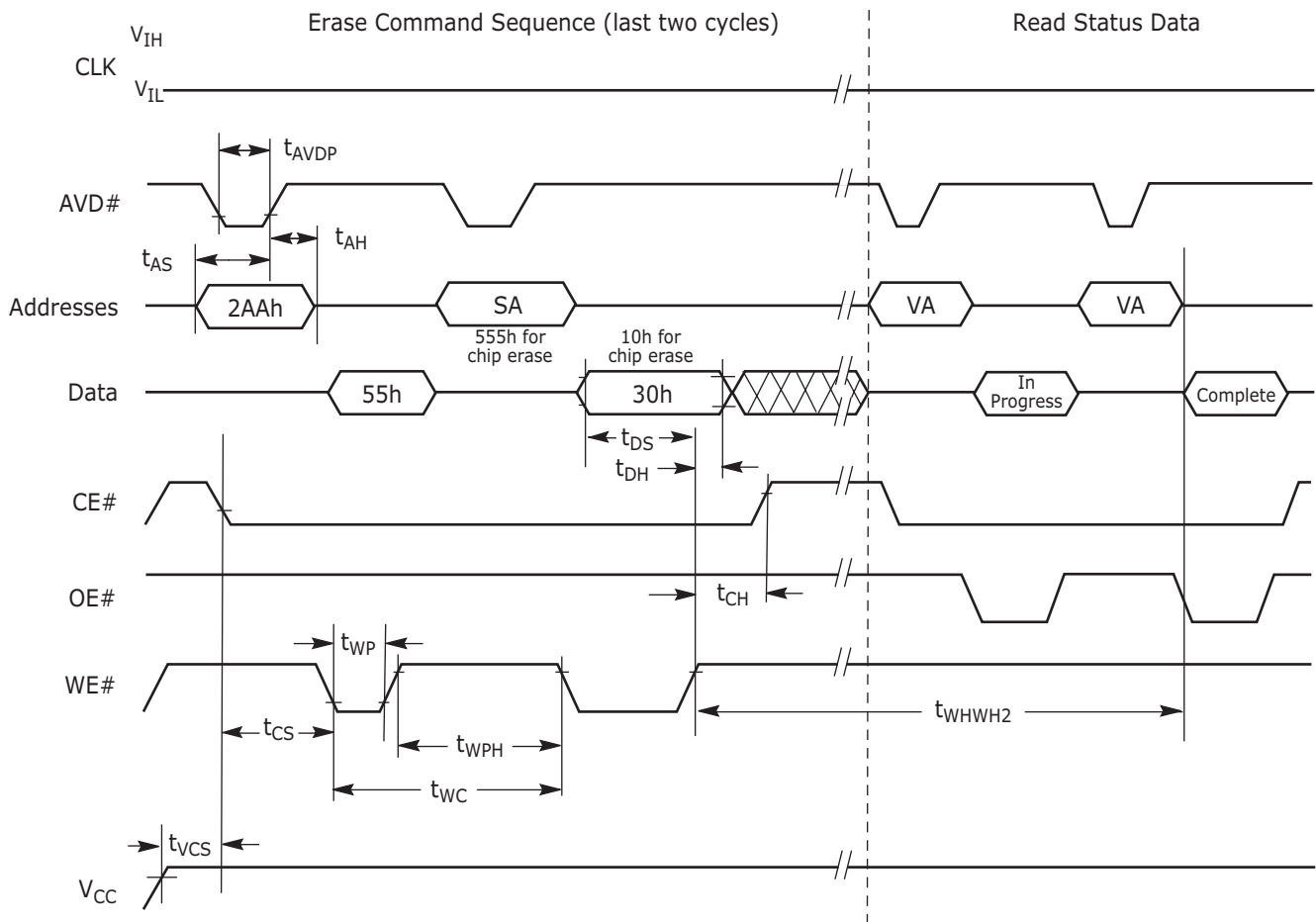
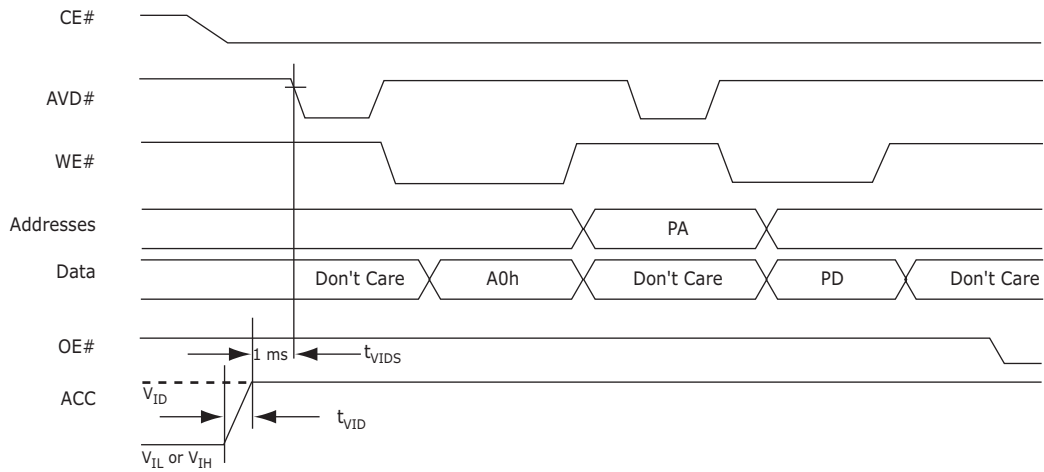


Figure 25. Chip/Sector Erase Command Sequence

Notes:

1. SA is the sector address for Sector Erase.
2. Address bits A21–A12 are don't cares during unlock cycles in the command sequence.

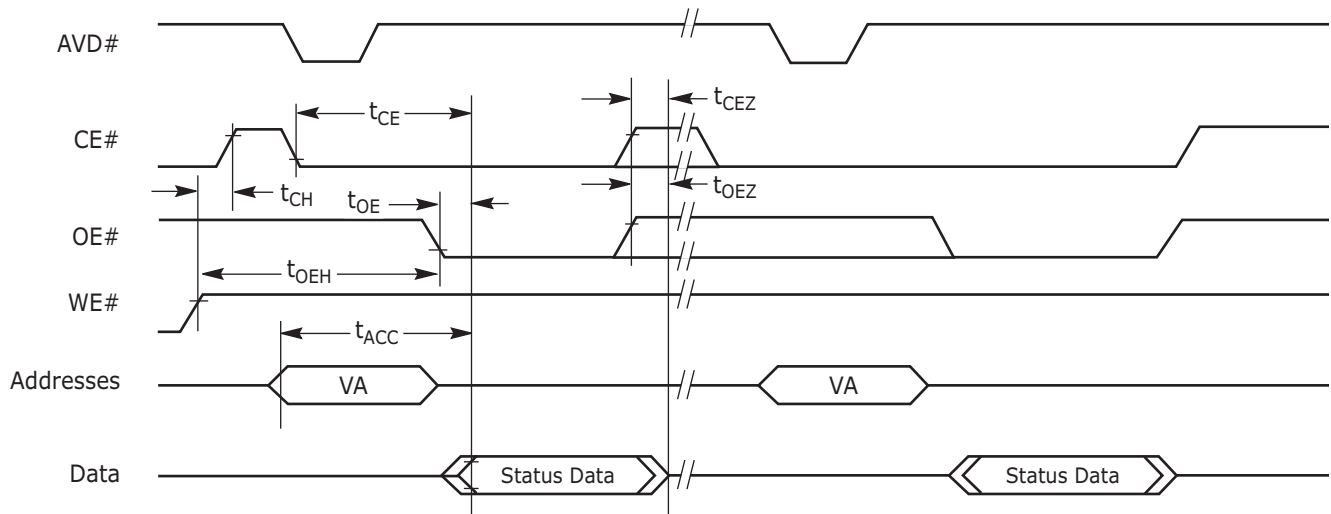
AC Characteristics



Note: Use setup and hold times from conventional program operation.

Figure 26. Accelerated Unlock Bypass Programming Timing

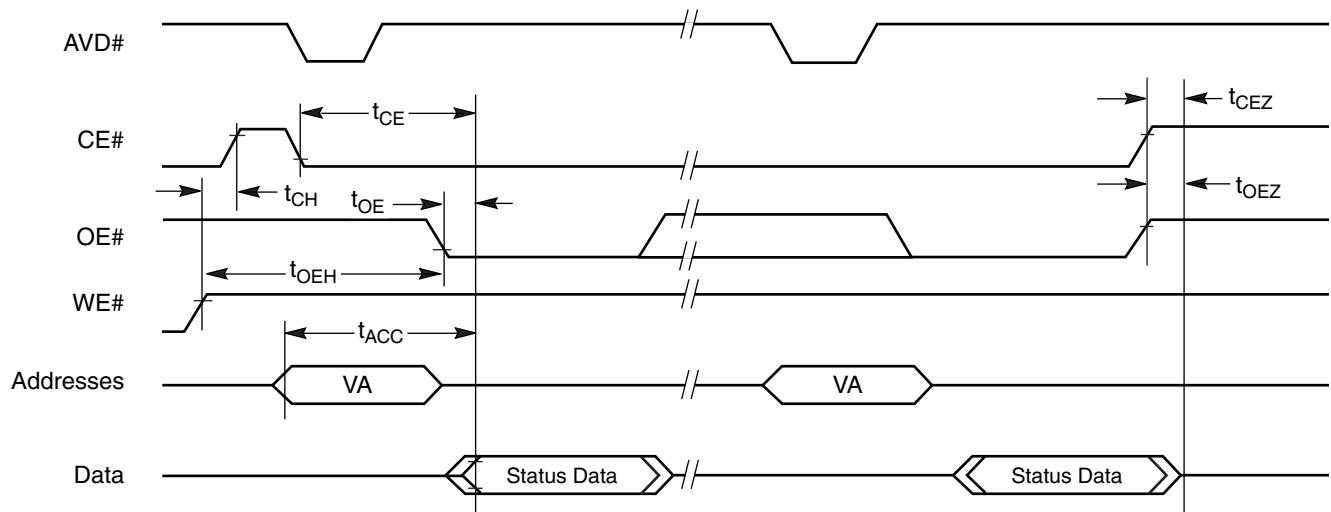
AC Characteristics



Notes:

1. Status reads in figure are shown as asynchronous.
2. VA = Valid Address. Two read cycles are required to determine status. When the Embedded Algorithm operation is complete, and Data# Polling will output true data.
3. AVD# must toggle between data reads.

Figure 27. Data# Polling Timings (During Embedded Algorithm)

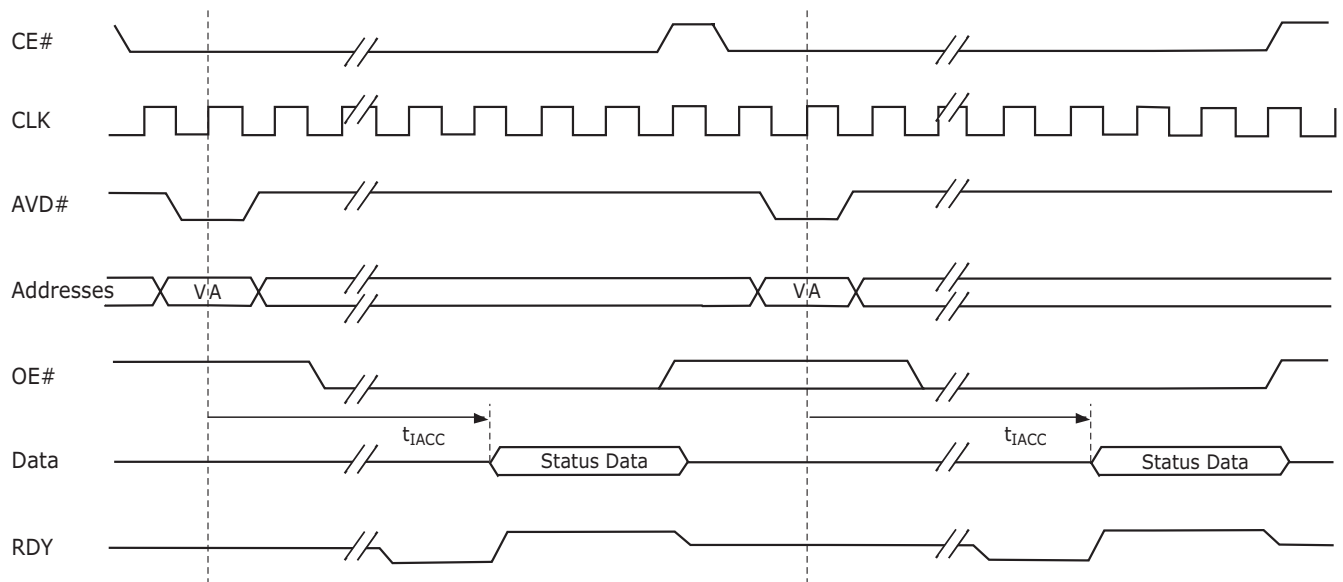


Notes:

1. Status reads in figure are shown as asynchronous.
2. VA = Valid Address. Two read cycles are required to determine status. When the Embedded Algorithm operation is complete, the toggle bits will stop toggling.
3. AVD# must toggle between data reads.

Figure 28. Toggle Bit Timings (During Embedded Algorithm)

AC Characteristics



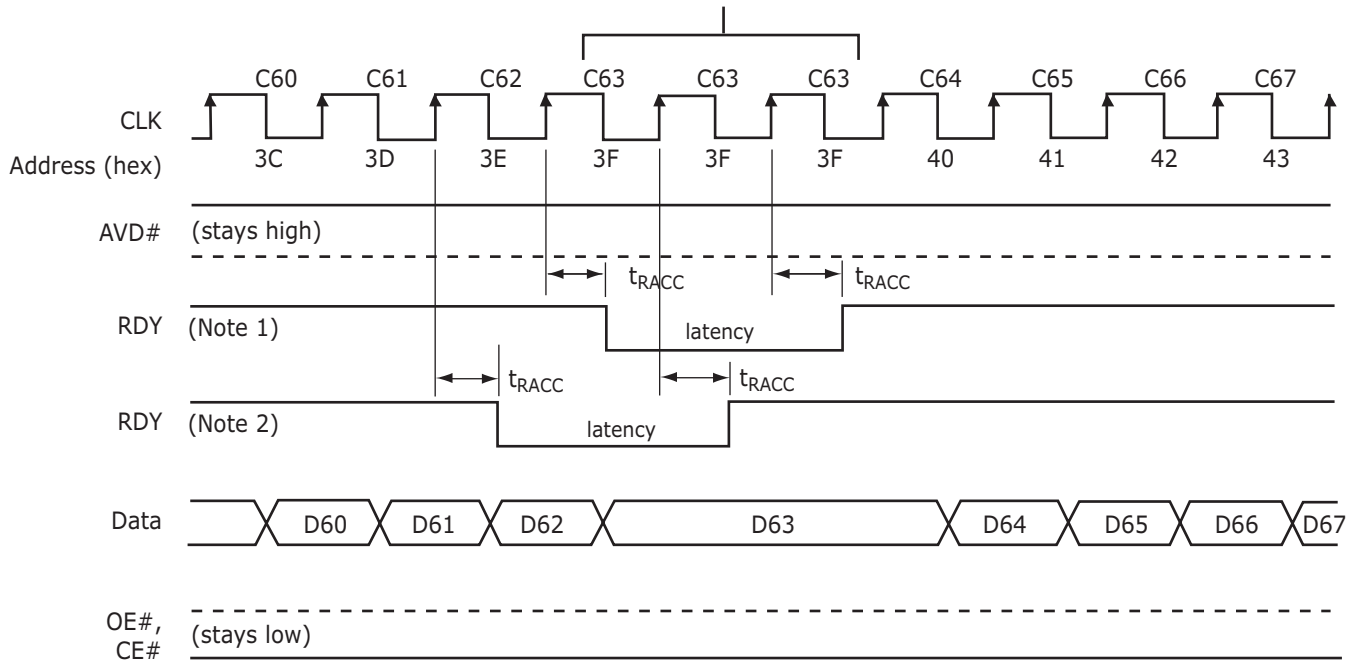
Notes:

1. The timings are similar to synchronous read timings.
2. VA = Valid Address. Two read cycles are required to determine status. When the Embedded Algorithm operation is complete, the toggle bits will stop toggling.
3. RDY is active with data (A18 = 0 in the Burst Mode Configuration Register). When A18 = 1 in the Burst Mode Configuration Register, RDY is active one clock cycle before data.
4. AVD# must toggle between data reads.

**Figure 29. Synchronous Data Polling Timings/
Toggle Bit Timings**

AC Characteristics

Address boundary occurs every 64 words, beginning at address 00003Fh (00007Fh, 0000BFh, etc.). Address 000000h is also a boundary crossing.



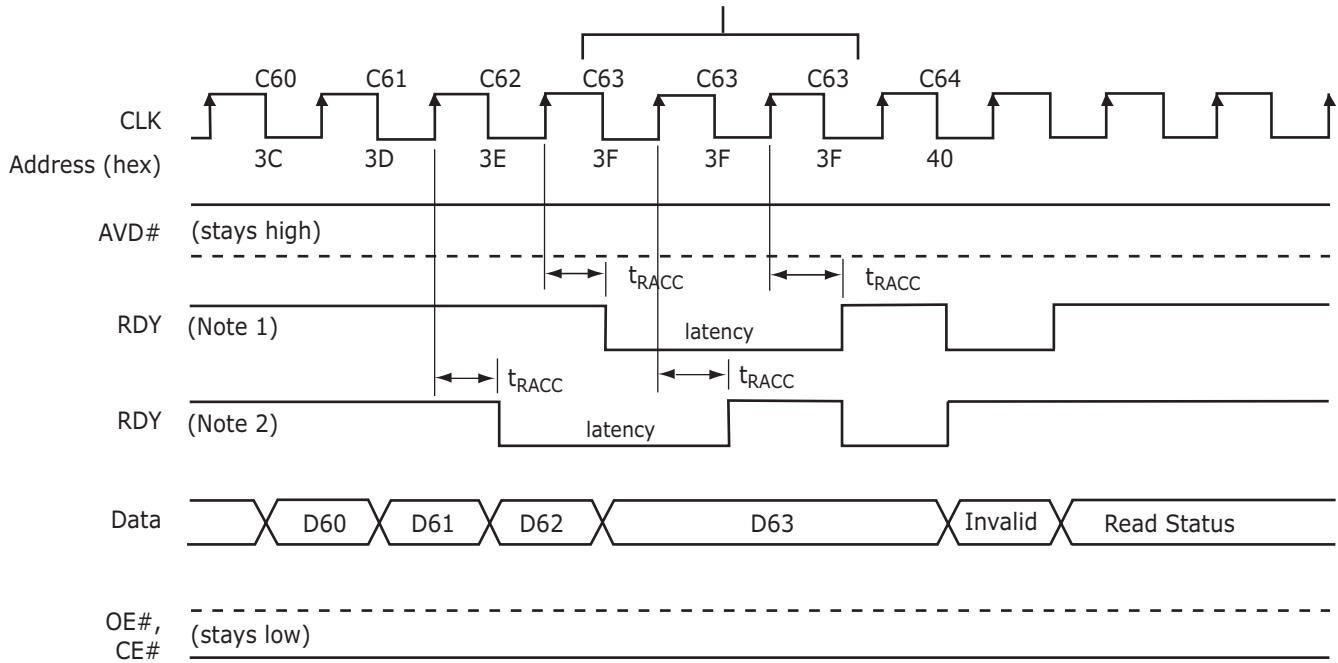
Notes:

1. RDY active with data (A18 = 1 in the Burst Mode Configuration Register).
2. RDY active one clock cycle before data (A18 = 0 in the Burst Mode Configuration Register).
3. Cxx indicates the clock that triggers Dxx on the outputs; for example, C60 triggers D60. Figure shows the device not crossing a bank in the process of performing an erase or program.

Figure 30. Latency with Boundary Crossing

AC Characteristics

Address boundary occurs every 64 words, beginning at address 00003Fh (00007Fh, 0000BFh, etc.). Address 000000h is also a boundary crossing

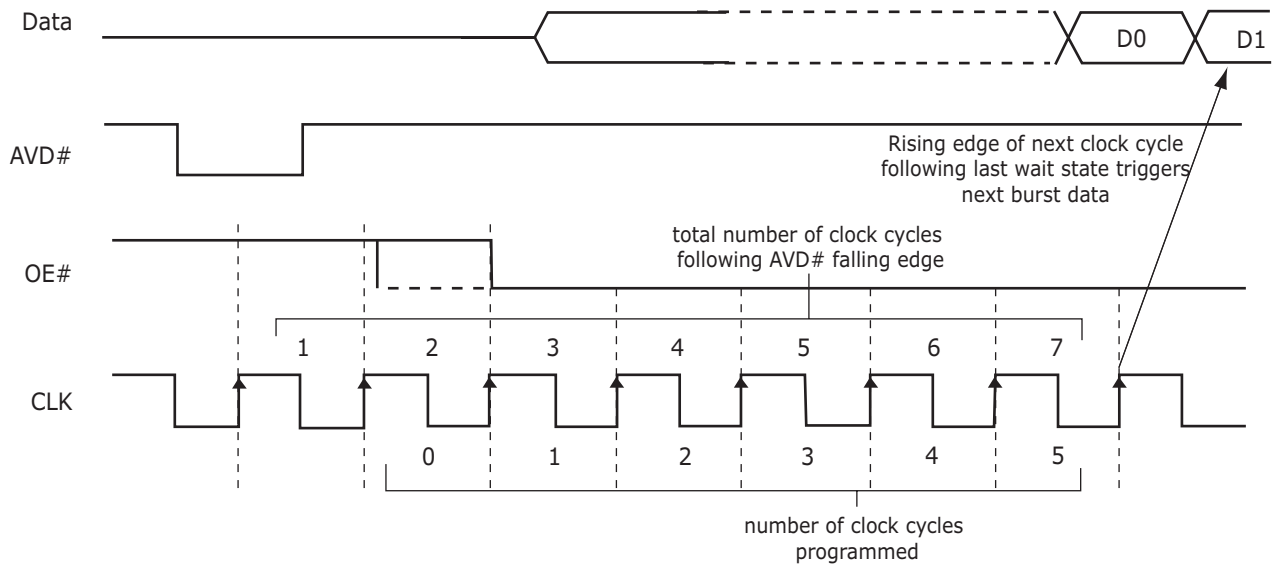


Notes:

1. RDY active with data (A18 = 1 in the Burst Mode Configuration Register).
2. RDY active one clock cycle before data (A18 = 0 in the Burst Mode Configuration Register).
3. Cxx indicates the clock that triggers Dxx on the outputs; for example, C60 triggers D60. Figure shows the device crossing a bank in the process of performing an erase or program.

Figure 3I. Latency with Boundary Crossing into Program/Erase Bank

AC Characteristics



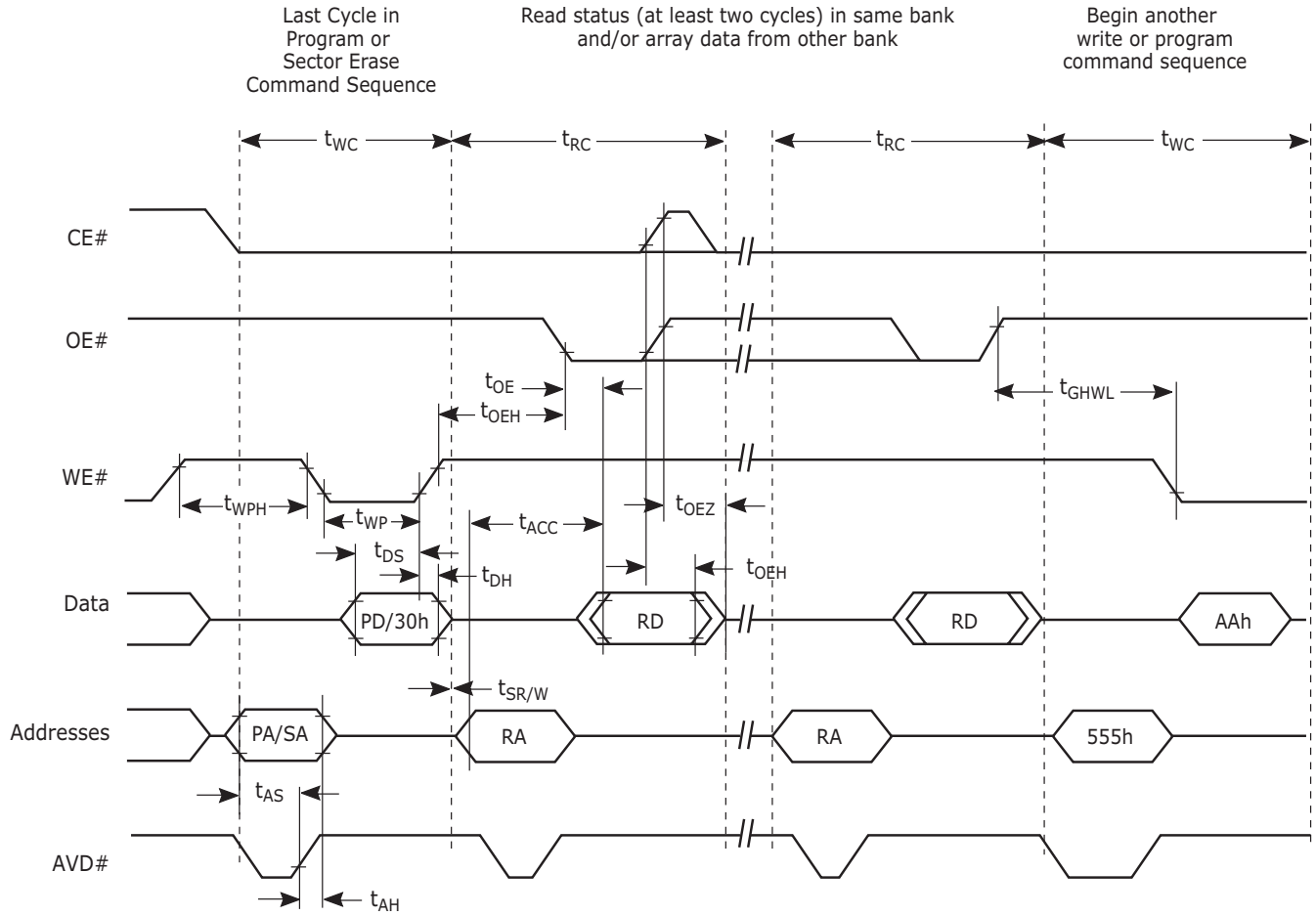
Note:

A14, A13, A12 = "101" ⇒ 5 programmed, 7 total
A14, A13, A12 = "100" ⇒ 4 programmed, 6 total
A14, A13, A12 = "011" ⇒ 3 programmed, 5 total
A14, A13, A12 = "010" ⇒ 2 programmed, 4 total
A14, A13, A12 = "001" ⇒ 1 programmed, 3 total
A14, A13, A12 = "000" ⇒ 0 programmed, 2 total

Figure assumes address D0 is not at an address boundary, active clock edge is rising, and wait state is set to "101".

Figure 32. Example of Wait States Insertion (Standard Handshaking Device)

AC Characteristics



Note: Breakpoints in waveforms indicate that system may alternately read array data from the “non-busy bank” while checking the status of the program or erase operation in the “busy” bank. The system should read status twice to ensure valid information.

Figure 33. Back-to-Back Read/Write Cycle Timings

Erase and Programming Performance

Parameter		Typ (Note 1)	Max (Note 2)	Unit	Comments
Sector Erase Time	32 Kword	0.4	5	s	Excludes 00h programming prior to erasure (Note 4)
	8 Kword	0.4	5		
Chip Erase Time		54		s	
Word Programming Time		11.5	210	μ s	Excludes system level overhead (Note 5)
Accelerated Word Programming Time		4	120	μ s	
Chip Programming Time (Note 3)		48	144	s	Excludes system level overhead (Note 5)
Accelerated Chip Programming Time		16	48	s	

Notes:

1. Typical program and erase times assume the following conditions: 25°C, 1.8 V V_{CC} , 1 million cycles. Additionally, programming typicals assumes a checkerboard pattern.
2. Under worst case conditions of 90°C, $V_{CC} = 1.65$ V, 1,000,000 cycles.
3. The typical chip programming time is considerably less than the maximum chip programming time listed.
4. In the pre-programming step of the Embedded Erase algorithm, all words are programmed to 00h before erasure.
5. System-level overhead is the time required to execute the two- or four-bus-cycle sequence for the program command. See Table 13 for further information on command definitions.
6. The device has a minimum erase and program cycle endurance of 1 million cycles.

FBGA Ball Capacitance

Parameter Symbol	Parameter Description	Test Setup	Typ	Max	Unit
C_{IN}	Input Capacitance	$V_{IN} = 0$	4.2	5.0	pF
C_{OUT}	Output Capacitance	$V_{OUT} = 0$	5.4	6.5	pF
C_{IN2}	Control Pin Capacitance	$V_{IN} = 0$	3.9	4.7	pF

Notes:

1. Sampled, not 100% tested.
2. Test conditions $T_A = 25^\circ\text{C}$, $f = 1.0$ MHz.
3. Fortified BGA ball capacitance TBD.

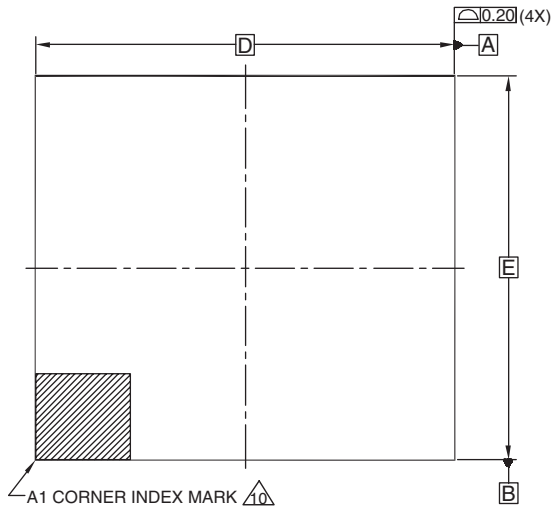
Data Retention

Parameter	Test Conditions	Min	Unit
Minimum Pattern Data Retention Time	150°C	10	Years
	125°C	20	Years

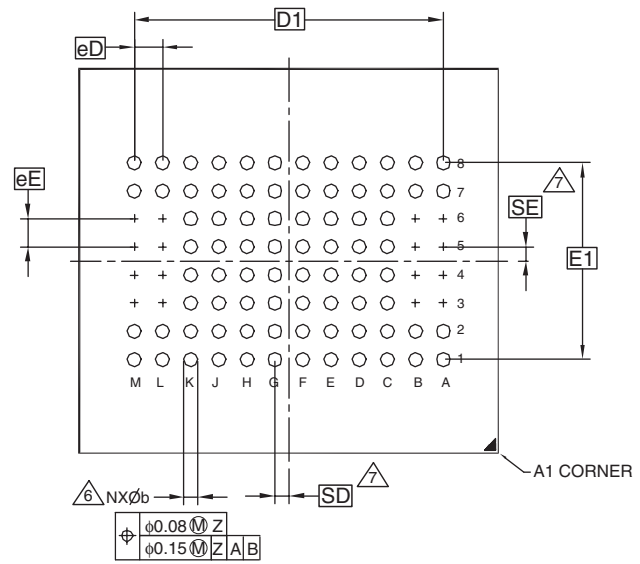
Physical Dimensions

FBE080—80-ball Fine-Pitch Ball Grid Array (FBGA)

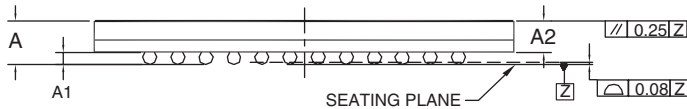
11 x 12 mm Package



TOP VIEW



BOTTOM VIEW



SIDE VIEW

NOTES:

1. DIMENSIONING AND TOLERANCING PER ASME Y14.5M-1994.
2. ALL DIMENSIONS ARE IN MILLIMETERS.
3. BALL POSITION DESIGNATION PER JESD 95-1, SPP-010.
4. [e] REPRESENTS THE SOLDER BALL GRID PITCH.

5. SYMBOL "MD" IS THE BALL ROW MATRIX SIZE IN THE "D" DIRECTION. SYMBOL "ME" IS THE BALL COLUMN MATRIX SIZE IN THE "E" DIRECTION. N IS THE TOTAL NUMBER OF SOLDER BALLS.

6. DIMENSION "b" IS MEASURED AT THE MAXIMUM BALL DIAMETER IN A PLANE PARALLEL TO DATUM Z.

7. SD AND SE ARE MEASURED WITH RESPECT TO DATUMS A AND B AND DEFINE THE POSITION OF THE CENTER SOLDER BALL IN THE OUTER ROW. WHEN THERE IS AN ODD NUMBER OF SOLDER BALLS IN THE OUTER ROW PARALLEL TO THE D OR E DIMENSION, RESPECTIVELY, SD OR SE = 0.000.

WHEN THERE IS AN EVEN NUMBER OF SOLDER BALLS IN THE OUTER ROW, SD OR SE = [e/2]

8. "+" IN THE PACKAGE DRAWING INDICATES THE THEORETICAL CENTER OF DEPOPULATED BALLS.

9. FOR PACKAGE THICKNESS, "A" IS THE CONTROLLING DIMENSION.

10. A1 CORNER TO BE IDENTIFIED BY CHAMFER, INK MARK, METALLIZED MARKINGS INDENTATION OR OTHER MEANS.

3150/38.9G

PACKAGE	FBE 080			NOTE
JEDEC	N/A			
	10.95 mm x 11.95 mm PACKAGE			
SYMBOL	MIN.	NOM.	MAX.	
A	---	---	1.20	OVERALL THICKNESS
A1	0.20	---	---	BALL HEIGHT
A2	0.84	---	0.94	BODY THICKNESS
[D]	11.95 BSC.			BODY SIZE
[E]	10.95 BSC.			BODY SIZE
[D1]	8.80 BSC.			BALL FOOTPRINT
[E1]	5.60 BSC.			BALL FOOTPRINT
MD	12			ROW MATRIX SIZE D DIRECTION
ME	8			ROW MATRIX SIZE E DIRECTION
N	80			TOTAL BALL COUNT
b	0.25	0.30	0.35	BALL DIAMETER
[e]	0.80 BSC.			BALL PITCH
[SD / SE]	0.40 BSC.			SOLDER BALL PLACEMENT
	A3-A6, B3-B6, L3-L6, M3-M6			DEPOPULATED SOLDER BALLS
	E			PACKAGE OUTLINE TYPE

Note: BSC is an ANSI standard for Basic Space Centering.

Revision Summary

Revision A (February 13, 2002)

Initial release.

Revision A+1 (February 19, 2002)

Automatic Sleep Mode

Clarified description to indicate that sleep mode is activated when the first CLK edge occurs after t_{ACC} .

Figure 20, Asynchronous Program Operation Timings

Modified to show that CLK is don't care prior to AVD# going low, and that AVD# must not be low before CE# transitions low.

Revision A+2 (February 27, 2002)

Figure 21, Asynchronous Program Operation Timings

Extended don't care section of CLK to falling edge of WE#.

Revision A+3 (May 9, 2002)

Requirements for Synchronous (Burst) Read Operation

Shifted address, clock, and data cycle references in third paragraph up by one.

Table 4, System Interface String

Corrected data for address 23h.

Table 9, Initial Access Cycles vs. Frequency

Added table.

Autoselect Command Sequence

Added bottom boot device IDs to table.

Table 13, Command Definitions

Added bottom boot device IDs to table.

RDY: Ready

Corrected address boundary from 63rd word/3Eh to 64th word/3Fh.

DC Characteristics

Added $V_{IO} = V_{IO\ min}$ to test conditions for V_{OL} and V_{OH} in table.

Erase/Program Operations table

Added specifications for parameters t_{CSW1} , t_{CSW2} , t_{CHW} , t_{AHC} .

Figures 21, 23

Added note to indicate AVD# must toggle during command sequence unlock cycles. Added t_{CSW1} to 21.

Figures 22, 24

Added figures, which show different timings between addresses, CLK, WE#, and AVD#.

Figures 25, 27, 28

Added note to indicate AVD# must toggle during data reads.

Figures 30, 31

Shifted address, clock, and data cycle counts up by one.

Revision A + 4 (July 26, 2002)

Table 1, Device Bus Operations

Changed Synchronous Write to rising edge of CLK.

Writing Commands/Command Sequences

Added CLK as part of the asynchronous write operation system drive. Added V_{CC} and V_{IO} Power-up and Power-down Sequencing section.

AC Characteristics

Changed t_{CHW} erase/program time from Min to Max.

Figure 20, Asynchronous Program Operation Timings

Changed t_{CSW1} reference to WE# from AVD#.

Figure 21, Alternate Asynchronous Program Operation Timings

Changed to show CLK low after t_{CHW} time.

Figure 22, Synchronous Program Operation Timings

Removed t_{ACH} . Changed t_{AHW} to t_{AVSW} and added t_{CSW2} .

Figure 23, Alternate Synchronous Program Operation Timings

Changed t_{AVCH} to t_{AVHC} . Removed t_{ACH} .

DC Characteristics, CMOS Compatible

Corrected $I_{CCB} OE# = V_{IL}$ to $= V_{IH}$; switched Typ. and Max. values.

Revision B (October 31, 2002)

Global

Renamed Handshaking Enabled to Reduced Wait-State Handshaking. Renamed non-Handshaking to Standard Handshaking

Product Selector Guide

Revised with renamed speed options and added Synchronous Access Time with Reduced Wait-state Handshaking. Added Asynchronous Access Time.

Connection Diagram

Corrected pin numbers on bottom row.

Ordering Information

Revised with global changes. Revised Valid Combinations with updated ordering information.

FBGA Capacitance

Added BGA Capacitance Table after Erase and Programming Performance.

Revision C (August 13, 2003)

Global

Updated formatting to new Spansion template. Changed data sheet status from Advance Information to Preliminary.

Sector Lock/Unlock Command Sequence

Modified description of write cycles.

Reset Command

Modified last paragraph of section.

Table 13, Command Definitions

Added note references to Erase Suspend and Sector Lock/Unlock rows in table. Replaced addresses "XXX" with "BA" in first and second cycles of Sector Lock/Unlock table row. Modified description of BA in legend.

Revision C + I (October 1, 2003)**DC Characteristics - CMOS Compatible**

Added note #2. Modified column heading from Test Conditions (Note 1) to Test Conditions (Note 1,2)

Revision C2 (May 9, 2006)

Added migration and obsolescence information.

Colophon

The products described in this document are designed, developed and manufactured as contemplated for general use, including without limitation, ordinary industrial use, general office use, personal use, and household use, but are not designed, developed and manufactured as contemplated (I) for any use that includes fatal risks or dangers that, unless extremely high safety is secured, could have a serious effect to the public, and could lead directly to death, personal injury, severe physical damage or other loss (i.e., nuclear reaction control in nuclear facility, aircraft flight control, air traffic control, mass transport control, medical life support system, missile launch control in weapon system), or (2) for any use where chance of failure is intolerable (i.e., submersible repeater and artificial satellite). Please note that Spansion LLC will not be liable to you and/or any third party for any claims or damages arising in connection with above-mentioned uses of the products. Any semiconductor devices have an inherent chance of failure. You must protect against injury, damage or loss from such failures by incorporating safety design measures into your facility and equipment such as redundancy, fire protection, and prevention of over-current levels and other abnormal operating conditions. If any products described in this document represent goods or technologies subject to certain restrictions on export under the Foreign Exchange and Foreign Trade Law of Japan, the US Export Administration Regulations or the applicable laws of any other country, the prior authorization by the respective government entity will be required for export of those product.

Trademarks

Copyright © 2001–2006 Spansion LLC. All Rights Reserved.

Spansion, the Spansion logo, MirrorBit, ORNAND, HD-SIM, and combinations thereof are trademarks of Spansion LLC. Other names are for informational purposes only and may be trademarks of their respective owners.