

# QL4009 - QuickRAM™



9,000 Usable PLD Gate QuickRAM ESP Combining Performance, Density, and Embedded RAM

## DEVICE HIGHLIGHTS

### High Performance & High Density

- 9,000 Usable PLD Gates with 82 I/Os
- 300 MHz 16-bit Counters, 400 MHz Datapaths, 160+ MHz FIFOs
- 0.35µm four-layer metal non-volatile CMOS process for smallest die sizes

### High Speed Embedded SRAM

- 8 dual-port RAM modules, organized in user-configurable 1,152 bit blocks
- 5ns access times, each port independently accessible
- Fast and efficient for FIFO, RAM, and ROM functions

### Easy to Use / Fast Development Cycles

- 100% routable with 100% utilization and complete pin-out stability
- Variable-grain logic cells provide high performance and 100% utilization
- Comprehensive design tools include high quality Verilog/VHDL synthesis

### Advanced I/O Capabilities

- Interfaces with both 3.3 volt and 5.0 volt devices
- PCI compliant with 3.3V and 5.0V busses for -1/-2/-3/-4 speed grades
- Full JTAG boundary scan
- Registered I/O cells with individually controlled clocks and output enables

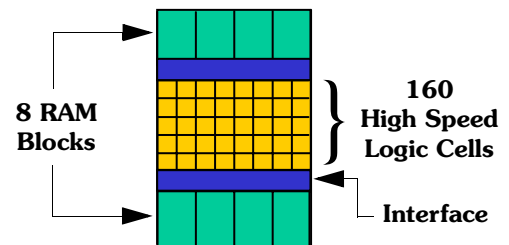


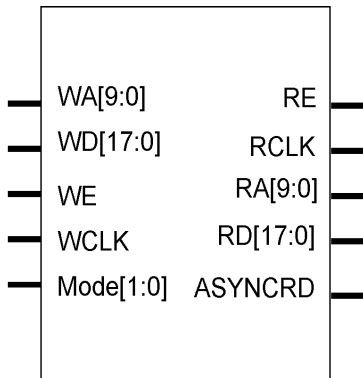
FIGURE 1. QuickRAM Block Diagram

## ARCHITECTURE OVERVIEW

The QuickRAM family of ESPs (Embedded Standard Products) offers FPGA logic in combination with Dual-Port SRAM modules. The QL4009 is a 9,000 usable PLD gate member of the QuickRAM family of ESPs. QuickRAM ESPs are fabricated on a 0.35µm four-layer metal process using QuickLogic's patented ViaLink™ technology to provide a unique combination of high performance, high density, low cost, and extreme ease-of-use.

The QL4009 contains 160 logic cells and 8 dual port RAM modules (see Figure 1). Each RAM module has 1,152 RAM bits, for a total of 9,216 bits. RAM Modules are Dual Port (one read port, one write port) and can be configured into one of four modes: 64 (deep) x18 (wide), 128x9, 256x4, or 512x2 (see Figure 2). With a maximum of 82 I/Os, the QL4009 is available in 68-pin PLCC, 84-pin PLCC, and 100-pin TQFP packages.

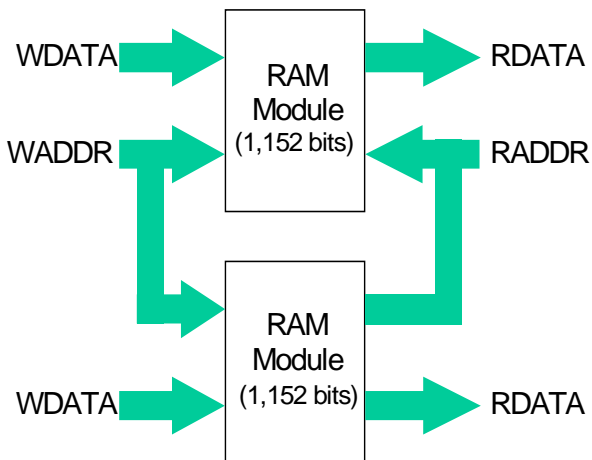
Designers can cascade multiple RAM modules to increase the depth or width allowed in single modules by connecting corresponding address lines together and dividing the words between modules (see Figure 3). This approach allows up to 512-deep configurations as large as 16 bits wide in the smallest QuickRAM device and 44 bits wide in the largest device.



**FIGURE 2. QuickRAM Module**

Software support for the complete QuickRAM family, including the QL4009, is available through two basic packages. The turnkey QuickWorks™ package provides the most complete ESP software solution from design entry to logic synthesis, to place and route, to simulation. The QuickTools™ for Workstations package provides a solution for designers who use Cadence, Exemplar, Mentor, Syn-opsys, Synplicity, Viewlogic, Veribest, or other third-party tools for design entry, synthesis, or simulation.

The QuickLogic variable grain logic cell features up to 16 simultaneous inputs and 5 outs within a cell that can be fragmented into 5 independent cells. Each cell has a fan-in of 29 including register and control lines (see Figure 4).



**FIGURE 3. QuickRAM Module bits**

## PRODUCT SUMMARY

### Total of 82 I/O Pins

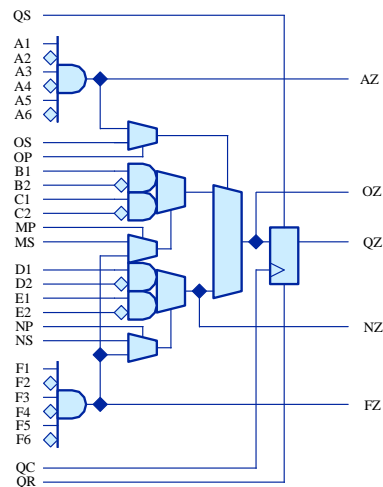
- 74 bi-directional input/output pins, PCI-compliant for 5.0 volt and 3.3 volt buses for -1/-2/-3/-4 speed grades
- 8 high-drive input/distributed network pins

### Eight Low-Skew Distributed Networks

- Two array clock/control networks available to the logic cell flip-flop clock, set and reset inputs - each driven by and input-only pin
- Six global clock/control networks available to the logic cell F1, clock, set and reset inputs and the input and I/O register clock, reset and enable inputs as well as the output enable control - each driven by an input-only or I/O pin, or any logic cell output or I/O cell feedback

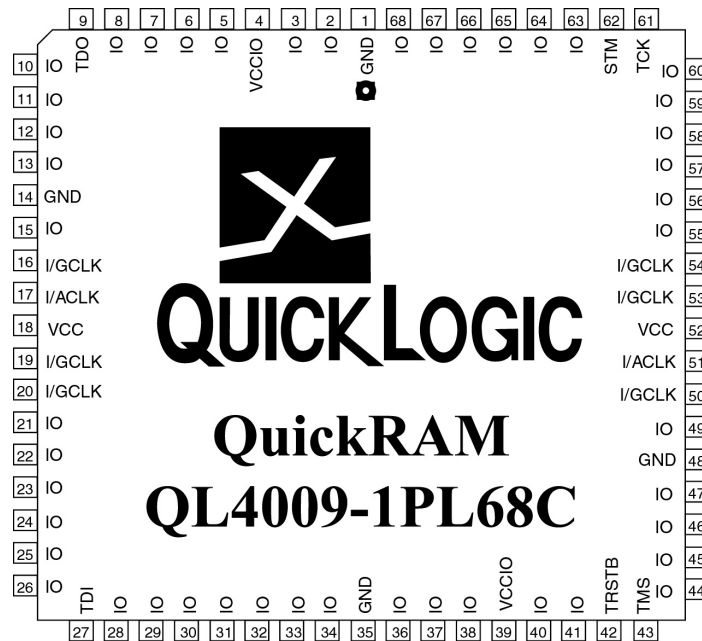
### High Performance

- Input + logic cell + output total delays under 6 ns
- Data path speeds over 400 MHz
- counter speeds over 300 MHz
- FIFO speeds over 160 MHz

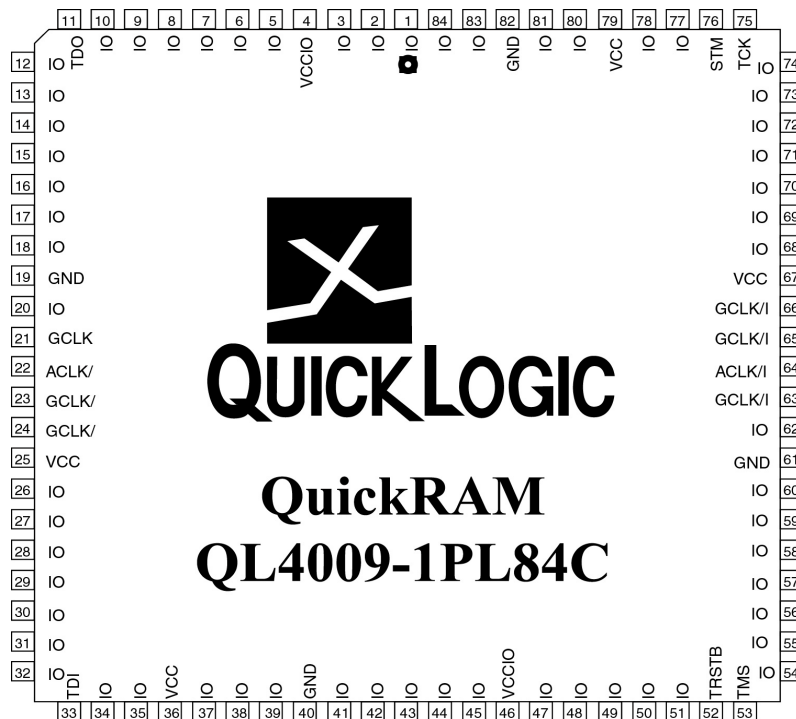


**FIGURE 4. Logic Cell**

# QL4009 - QuickRAM™

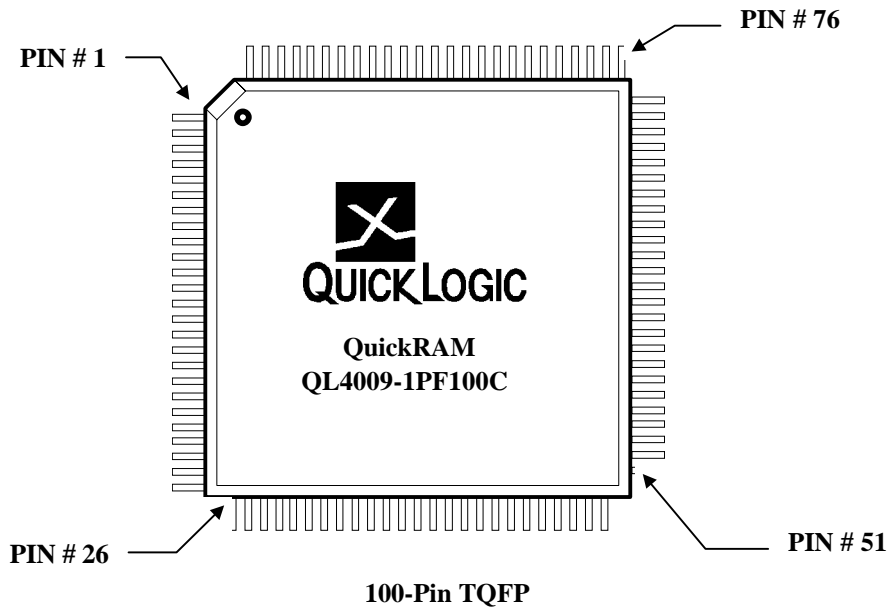


**68 Pin PLCC  
Pinout Diagram**



**84 Pin PLCC  
Pinout Diagram**

# QL4009 - QuickRAM™



100 TQFP	Function	100 TQFP	Function	100 TQFP	Function	100 TQFP	Function
1	I/O	26	TDI	51	I/O	76	TCK
2	I/O	27	I/O	52	I/O	77	STM
3	I/O	28	I/O	53	I/O	78	I/O
4	I/O	29	I/O	54	I/O	79	I/O
5	I/O	30	I/O	55	I/O	80	I/O
6	I/O	31	I/O	56	I/O	81	I/O
7	I/O	32	I/O	57	I/O	82	I/O
8	I/O	33	I/O	58	I/O	83	I/O
9	GND	34	I/O	59	GND	84	I/O
10	I/O	35	GND	60	I/O	85	GND
11	I	36	I/O	61	I	86	I/O
12	ACLK / I	37	I/O	62	ACLK / I	87	I/O
13	VCC	38	GND	63	VCC	88	GND
14	I	39	I/O	64	I	89	I/O
15	GCLK / I	40	I/O	65	GCLK / I	90	I/O
16	VCC	41	I/O	66	VCC	91	I/O
17	I/O	42	VCCIO	67	I/O	92	VCCIO
18	I/O	43	I/O	68	I/O	93	I/O
19	I/O	44	I/O	69	I/O	94	I/O
20	I/O	45	I/O	70	I/O	95	I/O
21	I/O	46	I/O	71	I/O	96	I/O
22	I/O	47	I/O	72	I/O	97	I/O
23	I/O	48	I/O	73	I/O	98	I/O
24	I/O	49	TRSTB	74	I/O	99	I/O
25	I/O	50	TMS	75	I/O	100	TDO

**100 TQFP Pinout Table**

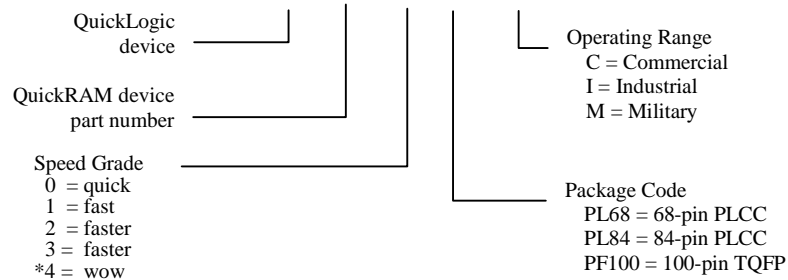
# QL4009 - QuickRAM™

## PIN DESCRIPTIONS

Pin	Function	Description
TDI/RSI	Test Data In for JTAG / RAM init. Serial Data In	Hold HIGH during normal operation. Connects to serial PROM data in for RAM initialization. Connect to VCC if unused.
TRSTB/RRO	Active low Reset for JTAG / RAM init. reset out	Hold LOW during normal operation. Connects to serial PROM reset for RAM initialization. Connect to GND if unused.
TMS	Test Mode Select for JTAG	Hold HIGH during normal operation. Connect to VCC if not used for JTAG.
TCK	Test Clock for JTAG	Hold HIGH or LOW during normal operation. Connect to VCC or ground if not used for JTAG.
TDO/RCO	Test data out for JTAG / RAM init. clock out	Connect to serial PROM clock for RAM initialization. Must be left unconnected if not used for JTAG or RAM initialization.
STM	Special Test Mode	Must be grounded during normal operation.
I/ACLK	High-drive input and/or array network driver	Can be configured as either or both.
I/GCLK	High-drive input and/or global network driver	Can be configured as either or both.
I	High-drive input	Use for input signals with high fanout.
I/O	Input/Output pin	Can be configured as an input and/or output.
VCC	Power supply pin	Connect to 3.3V supply.
VCCIO	Input voltage tolerance pin	Connect to 5.0 volt supply if 5 volt input tolerance is required, otherwise connect to 3.3V supply.
GND	Ground pin	Connect to ground.
GND/THERM	Ground/Thermal pin	Available on 456-PBGA only. Connect to ground plane on PCB if heat sinking desired. Otherwise may be left unconnected.

## ORDERING INFORMATION

### QL 4009 - 1 PF100 C



\* Contact QuickLogic regarding availability.

# QL4009 - QuickRAM™

## Absolute Maximum Ratings

VCC Voltage.....	-0.5 to 4.6V	DC Input Current.....	±20 mA
VCCIO Voltage .....	-0.5 to 7.0V	ESD Pad Protection .....	±2000V
Input Voltage.....	-0.5 to VCCIO+0.5V	Storage Temperature .....	-65×°C to +150°C
Latch-up Immunity .....	±200mA	Lead Temperature .....	300×°C

## Operating Range

Symbol	Parameter	Military		Industrial		Commercial		Unit	
		Min	Max	Min	Max	Min	Max		
VCC	Supply Voltage	3.0	3.6	3.0	3.6	3.0	3.6	V	
VCCIO	I/O Input Tolerance Voltage	3.0	5.5	3.0	5.5	3.0	5.25	V	
TA	Ambient Temperature	-55		-40	85	0	70	°C	
TC	Case Temperature		125					°C	
K	Delay Factor	-0 Speed Grade	0.42	2.03	0.43	1.90	0.46	1.85	
		-1 Speed Grade	0.42	1.64	0.43	1.54	0.46	1.50	
		-2 Speed Grade	0.42	1.37	0.43	1.28	0.46	1.25	
		-3 Speed Grade	N/A	N/A	0.43	0.90	0.46	0.88	
		-4 Speed Grade	N/A	N/A	0.43	0.82	0.46	0.80	

## DC Characteristics

Symbol	Parameter	Conditions	Min	Max	Unit
VIH	Input HIGH Voltage		0.5VCC	VCCIO+0.5	V
VIL	Input LOW Voltage		-0.5	0.3VCC	V
VOH	Output HIGH Voltage	IOH = -12 mA	2.4		V
		IOH = -500 µA	0.9VCC		V
VOL	Output LOW Voltage	IOL = 16 mA [1]		0.45	V
		IOL = 1.5 mA		0.1VCC	V
II	I or I/O Input Leakage Current	VI = VCCIO or GND	-10	10	µA
IOZ	3-State Output Leakage Current	VI = VCCIO or GND	-10	10	µA
CI	Input Capacitance [2]			10	pF
IOS	Output Short Circuit Current [3]	VO = GND	-15	-180	mA
		VO = VCC	40	210	mA
ICC	D.C. Supply Current [4]	VI, VIO = VCCIO or GND	0.50 (typ)	2	mA
ICCIO	D.C. Supply Current on VCCIO		0	100	µA

Notes:

- [1] Applies only to -1/-2/-3/-4 commercial grade devices. These speed grades are also PCI-compliant. All other devices have 8 mA IOL specifications.
- [2] Capacitance is sample tested only. Clock pins are 12 pF maximum.
- [3] Only one output at a time. Duration should not exceed 30 seconds.
- [4] For -1/-2/-3/-4 commercial grade devices only. Maximum ICC is 3 mA for -0 commercial grade and all industrial grade devices, and 5 mA for all military grade devices. For AC conditions, contact QuickLogic customer engineering.

## AC CHARACTERISTICS at VCC = 3.3V, TA = 25°C (K = 1.00)

(To calculate delays, multiply the appropriate K factor in the "Operating Range" section by the following numbers.)

### Logic Cells

Symbol	Parameter	Propagation Delays (ns) Fanout [5]				
		1	2	3	4	8
tPD	Combinatorial Delay [6]	1.4	1.7	1.9	2.2	3.2
tSU	Setup Time [6]	1.7	1.7	1.7	1.7	1.7
tH	Hold Time	0.0	0.0	0.0	0.0	0.0
tCLK	Clock to Q Delay	0.7	1.0	1.2	1.5	2.5
tCWHI	Clock High Time	1.2	1.2	1.2	1.2	1.2
tCWLO	Clock Low Time	1.2	1.2	1.2	1.2	1.2
tSET	Set Delay	1.0	1.3	1.5	1.8	2.8
tRESET	Reset Delay	0.8	1.1	1.3	1.6	2.6
tSW	Set Width	1.9	1.9	1.9	1.9	1.9
tRW	Reset Width	1.8	1.8	1.8	1.8	1.8

### RAM Cell Synchronous Write Timing

Symbol	Parameter	Propagation Delays (ns) Fanout				
		1	2	3	4	8
TSWA	WA Setup Time to WCLK	1.0	1.0	1.0	1.0	1.0
THWA	WA Hold Time to WCLK	0.0	0.0	0.0	0.0	0.0
TSWD	WD Setup Time to WCLK	1.0	1.0	1.0	1.0	1.0
THWD	WD Hold Time to WCLK	0.0	0.0	0.0	0.0	0.0
TSWE	WE Setup Time to WCLK	1.0	1.0	1.0	1.0	1.0
THWE	WE Hold Time to WCLK	0.0	0.0	0.0	0.0	0.0
TWCRD	WCLK to RD (WA=RA) [5]	5.0	5.3	5.6	5.9	7.1

Notes:

[5] Stated timing for worst case Propagation Delay over process variation at VCC=3.3V and TA=25°C. Multiply by the appropriate Delay Factor, K, for speed grade, voltage and temperature settings as specified in the Operating Range.

[6] These limits are derived from a representative selection of the slowest paths through the QuickRAM logic cell including typical net delays. Worst case delay values for specific paths should be determined from timing analysis of your particular design.

## RAM Cell Synchronous Read Timing

Symbol	Parameter	Propagation Delays (ns) Fanout				
		1	2	3	4	8
TSRA	RA Setup Time to RCLK	1.0	1.0	1.0	1.0	1.0
THRA	RA Hold Time to RCLK	0.0	0.0	0.0	0.0	0.0
TSRE	RE Setup Time to RCLK	1.0	1.0	1.0	1.0	1.0
THRE	RE Hold Time to RCLK	0.0	0.0	0.0	0.0	0.0
TRCRD	RCLK to RD [5]	4.0	4.3	4.6	4.9	6.1

## RAM Cell Asynchronous Read Timing

Symbol	Parameter	Propagation Delays (ns) Fanout				
		1	2	3	4	8
RPDRD	RA to RD [5]	3.0	3.3	3.6	3.9	5.1

## Input-Only/Clock Cells

Symbol	Parameter	Propagation Delays (ns) Fanout [5]							
		1	2	3	4	8	12	24	
TIN	High Drive Input Delay	1.5	1.6	1.8	1.9	2.4	2.9	4.4	
TINI	High Drive Input, Inverting Delay	1.6	1.7	1.9	2.0	2.5	3.0	4.5	
TISU	Input Register Set-Up Time	3.1	3.1	3.1	3.1	3.1	3.1	3.1	
TIH	Input Register Hold Time	0.0	0.0	0.0	0.0	0.0	0.0	0.0	
TICLK	Input Register Clock To Q	0.7	0.8	1.0	1.1	1.6	2.1	3.6	
TIRST	Input Register Reset Delay	0.6	0.7	0.9	1.0	1.5	2.0	3.5	
TIESU	Input Register Clock Enable Setup Time	2.3	2.3	2.3	2.3	2.3	2.3	2.3	
TIEH	Input Register Clock Enable Hold Time	0.0	0.0	0.0	0.0	0.0	0.0	0.0	

## Clock Cells

Symbol	Parameter	Propagation Delays (ns) Loads per Half Column [7]							
		1	2	3	4	8	10	11	
tACK	Array Clock Delay	1.2	1.2	1.3	1.3	1.5	1.6	1.7	
tGCKP	Global Clock Pin Delay	0.7	0.7	0.7	0.7	0.7	0.7	0.7	
tGCKB	Global Clock Buffer Delay	0.8	0.8	0.9	0.9	1.1	1.2	1.3	

Notes:

- [7] The array distributed networks consist of 40 half columns and the global distributed networks consist of 44 half columns, each driven by an independent buffer. The number of half columns used does not affect clock buffer delay. The array clock has up to 8 loads per half column. The global clock has up to 11 loads per half column.



## I/O Cell Input Delays

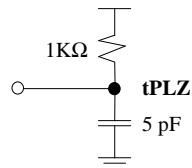
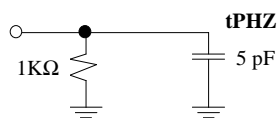
Symbol	Parameter	Propagation Delays (ns) Fanout [5]					
		1	2	3	4	8	10
tI/O	Input Delay (bidirectional pad)	1.3	1.6	1.8	2.1	3.1	3.6
TISU	Input Register Set-Up Time	3.1	3.1	3.1	3.1	3.1	3.1
TIH	Input Register Hold Time	0.0	0.0	0.0	0.0	0.0	0.0
TIOCLK	Input Register Clock To Q	0.7	1.0	1.2	1.5	2.5	3.0
TIORST	Input Register Reset Delay	0.6	0.9	1.1	1.4	2.4	2.9
TIESU	Input Register clock Enable Set-Up Time	2.3	2.3	2.3	2.3	2.3	2.3
TIEH	Input Register Clock Enable Hold Time	0.0	0.0	0.0	0.0	0.0	0.0

## I/O Cell Output Delays

Symbol	Parameter	Propagation Delays (ns) Output Load Capacitance (pF)				
		30	50	75	100	150
TOUTLH	Output Delay Low to High	2.1	2.5	3.1	3.6	4.7
TOUTH	Output Delay High to Low	2.2	2.6	3.2	3.7	4.8
TPZH	Output Delay Tri-state to High	1.2	1.7	2.2	2.8	3.9
TPZL	Output Delay Tri-state to Low	1.6	2.0	2.6	3.1	4.2
TPHZ	Output Delay High to Tri-State [8]	2.0				
TPLZ	Output Delay Low to Tri-State [8]	1.2				

Notes:

[8] The following loads are used for tPXZ



# QL4009 - QuickRAM™