

2 to 8 GHz WIDE BAND AMPLIFIER CHIP

DESCRIPTION

The μ PG110P is a GaAs monolithic integrated circuit designed as a wide band amplifier from 2 to 8 GHz. And the device is available in chip form. The μ PG110P is suitable for the gain stage required high gain characteristic of the microwave communication system and the measurement equipment.

FEATURES

- Ultra wide band : 2 to 8 GHz
- High Power Gain : $G_P = 15$ dB TYP. @f = 2 to 8 GHz
- Medium Power : $P_{O(1\text{ dB})} = +14$ dBm TYP. @f = 2 to 8 GHz

ORDERING INFORMATION

PART NUMBER	FORM
μ PG110P	Chip

ABSOLUTE MAXIMUM RATINGS ($T_A = 25$ °C)

Supply Voltage	V_{DD}	+10	V
Input Voltage	V_{IN}	-5 to +0.6	V
Input Power	P_{in}	+10	dBm
Total Power Dissipation	P_{tot}^{*1}	1.5	W
Operating Temperature	T_{opr}^{*2}	-65 to +125	°C
Storage Temperature	T_{stg}	-65 to +125	°C

*1 Mounted with AuSn hard solder

*2 The temperature of base material beside the chip

RECOMMENDED OPERATING CONDITIONS ($T_A = 25$ °C)

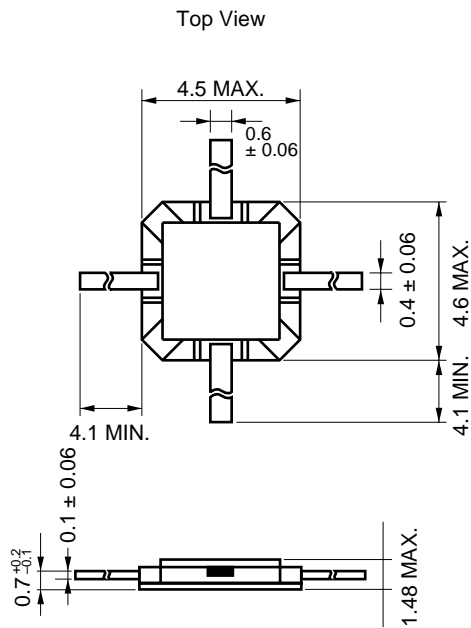
Supply Voltage	V_{DD}	$+8 \pm 0.2$	V
Input Power	P_{in}	-5	dBm

ELECTRICAL CHARACTERISTICS (T_A = 25 °C)*3

CHARACTERISTIC	SYMBOL	MIN.	TYP.	MAX.	UNIT	TEST CONDITIONS
Supply Current	I _{DD}	65	135	180	mA	V _{DD} = +8 V f = 2 to 8 GHz
Power Gain	G _P	12	15		dB	
Gain Flatness	ΔG _P			±1.5	dB	
Input Return Loss	RL _{in}	6	10		dB	
Output Return Loss	RL _{out}	7	10		dB	
Isolation	ISL	30	40		dB	
Output Power at 1 dB Gain Compression Point	P _{O(1 dB)}	10	14		dBm	

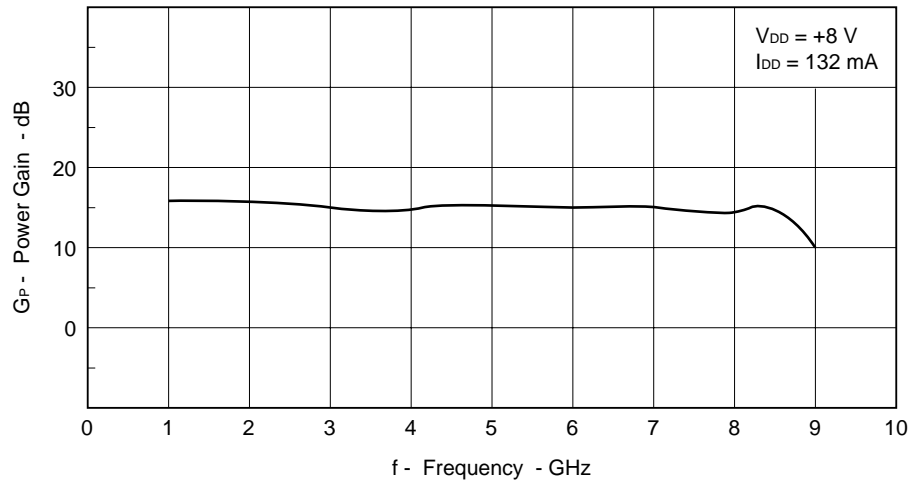
*3 These characteristics are based on performance of devices mounted in the standard package shown in Fig. 1.

Fig. 1 4 pin Ceramic Package

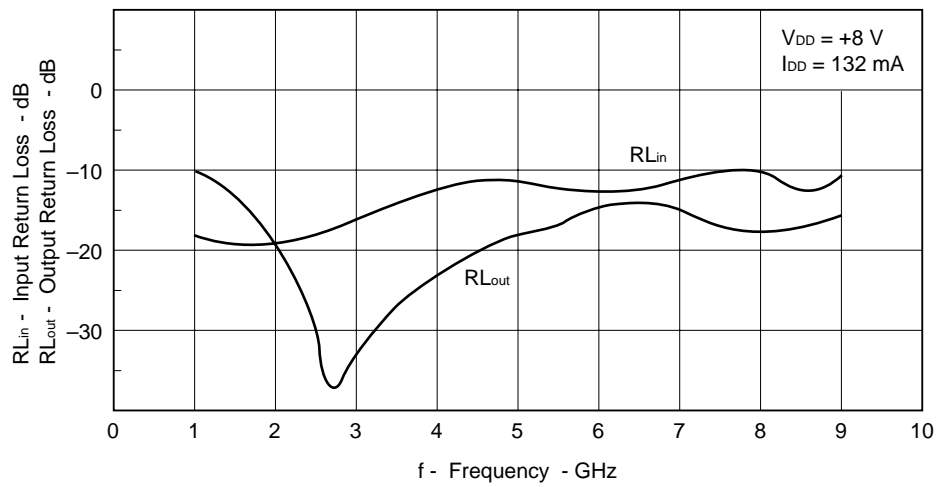


TYPICAL CHARACTERISTICS ($T_A = 25\text{ }^\circ\text{C}$)*4

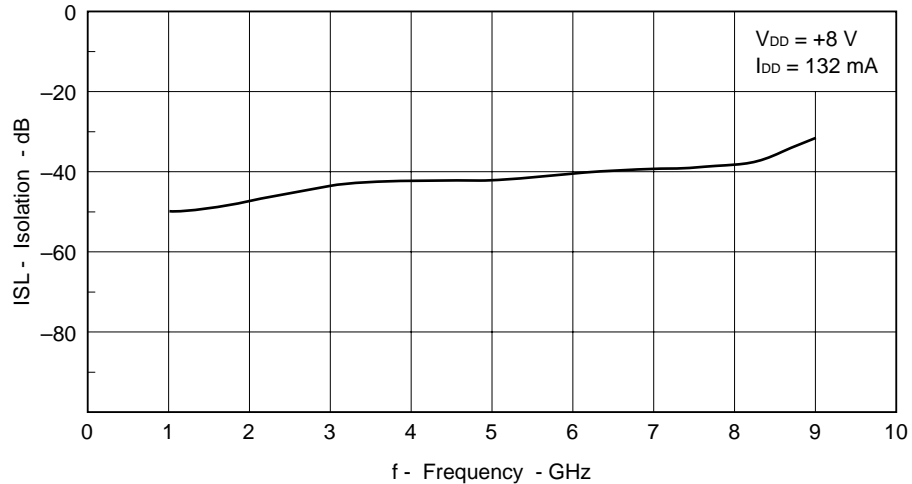
POWER GAIN vs. FREQUENCY

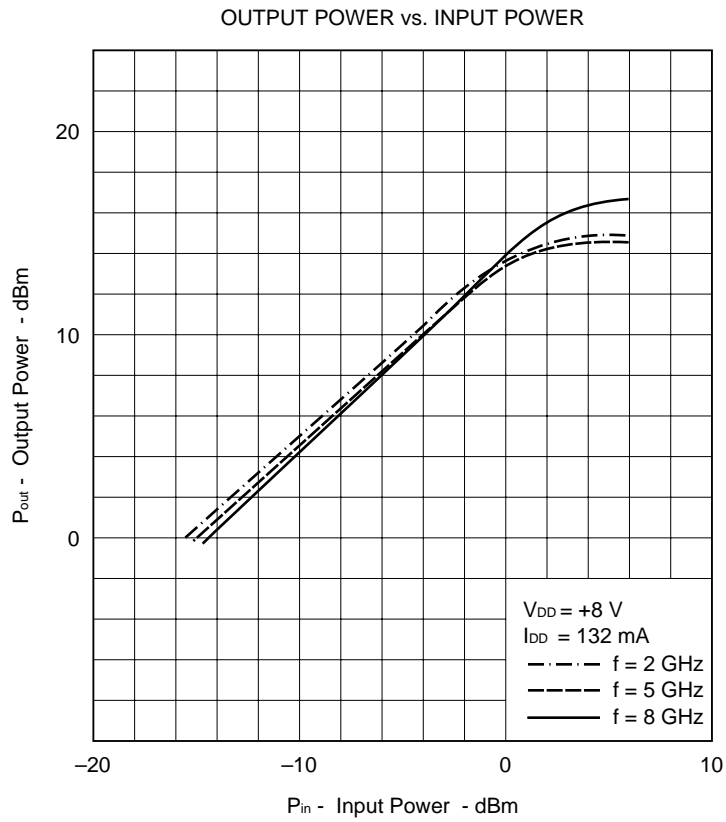


INPUT RETURN LOSS vs. FREQUENCY



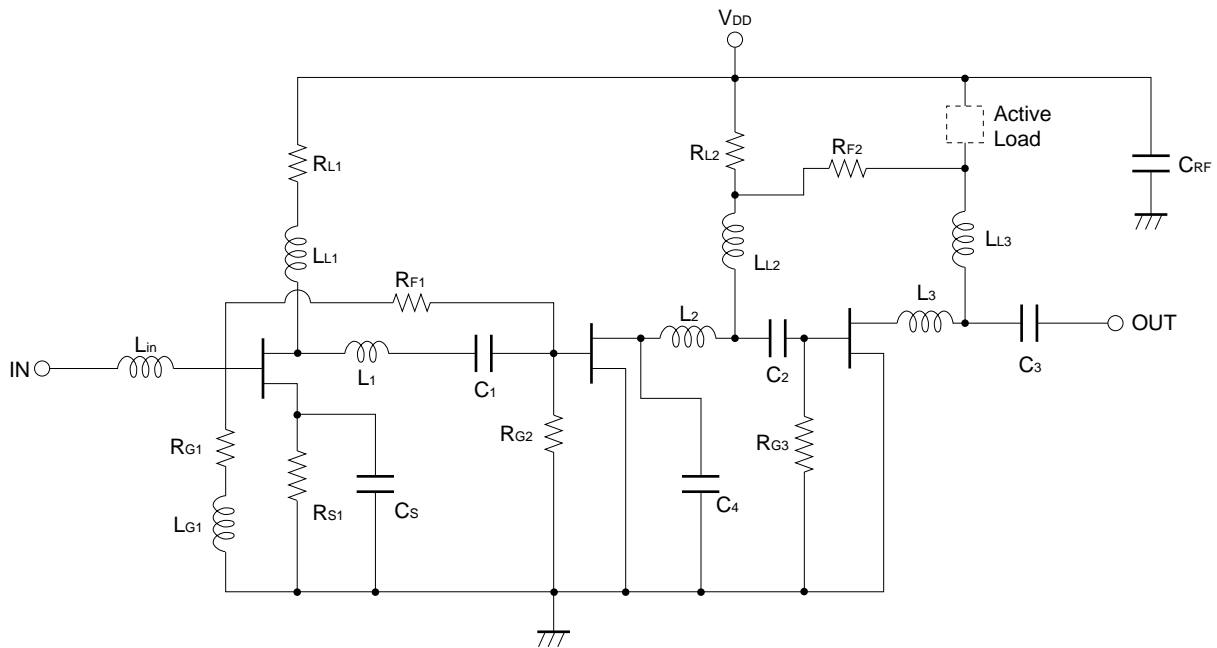
ISOLATION vs. FREQUENCY





*4 These characteristics are measured for device mounted in the standard package shown in Fig. 1.

EQUIVALENT CIRCUIT



RECOMMENDED CHIP ASSEMBLY CONDITIONS

Die Attachment

Atmosphere : N₂ gas

Temperature : 320 ± 5 °C

AuSn Preform : 0.5 × 0.5 × 0.05^t (mm), 1 pce.

* The hard solder such as AuSi or AuGe which has higher melting point than AuSn should not be used.

Base Material : CuW, Cu, KV

* Other material should not be used.

Epoxy Die Attach is not recommended.

Bonding

Machine : TCB

* USB is not recommended

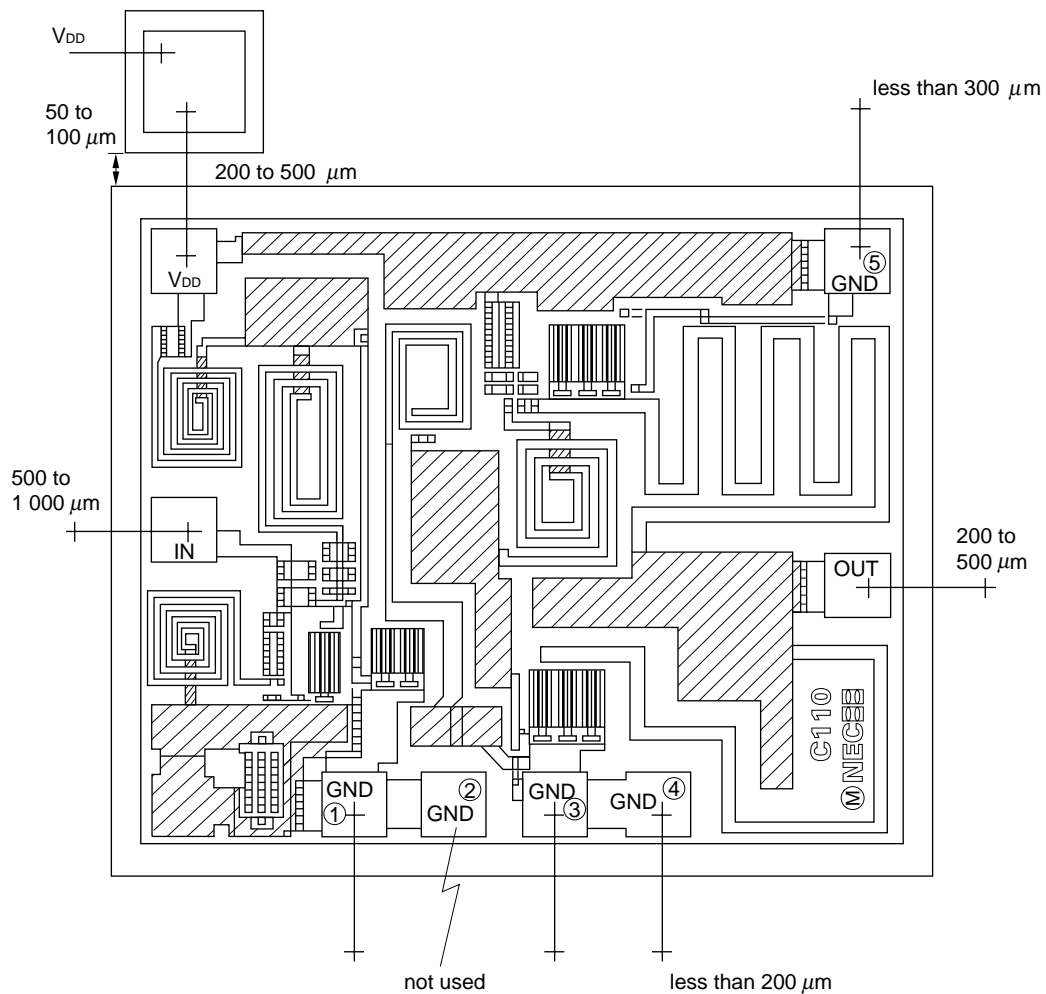
Wire : 30 μm diameter Au wire

Temperature : 260 ± 5 °C

Strength : 31 ± 3 g

Atmosphere : N₂ gas

Chip Bonding Diagram



Recommended Wire Length

1. 500 to 1 000 μm for Input (the longer the wire, the better the VSWR)
2. 200 to 500 μm for Output (the shorter the wire, the better the VSWR)
3. It should be bonded via a chip capacitor for V_{DD} .

Wire length is 200 to 500 μm

4. There are five GND pads but GND pad <2> is not used.

Wire length is 200 μm for <1>, <3> and <4>.

Less than 300 μm for <5>.

Chip Size: 1.1 \times 1.3 mm

t = 140 μm

Pad Size : 100 \times 100 μm

QUALITY ASSURANCE (Refer to GET-30116)**1. 100 % Tests**

1-1 100 % DC Probe

1-2 Visual Inspection

MIL-STD-883 Method 2010 Condition B

2. Tests on Sampling Basis

2-1 Bond Pull Tests (In case of recommended chip handling)

MIL-STD-883 Method 2011

5 samples/wafer and 20 points tested

Accept 0/Reject 1

2-2 Tests in Standard Package

Test the electrical characteristics of chips assembled into the standard package used for μPG110B

5 samples/wafer tested

DC and RF measurement Accept 1/Reject 2

3. Warrantee

NEC has a responsibility of quality assurance for the products within 180 days after delivered to customers where these are handled properly and stored in a desiccater with the flow of dry N₂ gas.

4. Caution

4-1 Take great care to prevent static electricity.

4-2 Be sure that Die Attach is performed in N₂ atmosphere.

Caution

The Great Care must be taken in dealing with the devices in this guide.

The reason is that the material of the devices is GaAs (Galium Arsenide), which is designated as harmful substance according to the law concerned.

Keep the law concerned and so on, especially in case of removal.

No part of this document may be copied or reproduced in any form or by any means without the prior written consent of NEC Corporation. NEC Corporation assumes no responsibility for any errors which may appear in this document.

NEC Corporation does not assume any liability for infringement of patents, copyrights or other intellectual property rights of third parties by or arising from use of a device described herein or any other liability arising from use of such device. No license, either express, implied or otherwise, is granted under any patents, copyrights or other intellectual property rights of NEC Corporation or others.

While NEC Corporation has been making continuous effort to enhance the reliability of its semiconductor devices, the possibility of defects cannot be eliminated entirely. To minimize risks of damage or injury to persons or property arising from a defect in an NEC semiconductor device, customers must incorporate sufficient safety measures in its design, such as redundancy, fire-containment, and anti-failure features.

NEC devices are classified into the following three quality grades:

"Standard", "Special", and "Specific". The Specific quality grade applies only to devices developed based on a customer designated "quality assurance program" for a specific application. The recommended applications of a device depend on its quality grade, as indicated below. Customers must check the quality grade of each device before using it in a particular application.

Standard: Computers, office equipment, communications equipment, test and measurement equipment, audio and visual equipment, home electronic appliances, machine tools, personal electronic equipment and industrial robots

Special: Transportation equipment (automobiles, trains, ships, etc.), traffic control systems, anti-disaster systems, anti-crime systems, safety equipment and medical equipment (not specifically designed for life support)

Specific: Aircrafts, aerospace equipment, submersible repeaters, nuclear reactor control systems, life support systems or medical equipment for life support, etc.

The quality grade of NEC devices is "Standard" unless otherwise specified in NEC's Data Sheets or Data Books. If customers intend to use NEC devices for applications other than those specified for Standard quality grade, they should contact an NEC sales representative in advance.

Anti-radioactive design is not implemented in this product.