

High-Level Serial Communications Controller for Terminals PSB/PSF 21525

The HSCX TE is an optimized terminal version of the HSCX (SAB 82525). The HSCX TE has been designed to implement high-speed communication links using HDLC protocols and to reduce the hardware and software overhead needed for serial synchronous communications.

1. Potential application

- ISDN PC-Card/Terminal Adapter
- ISDN Data Terminal

2. Features:

- Optimized solution of HSCX (SAB 82525) for terminal equipment
 - Non-auto mode and transparent mode (no auto mode)
 - Clock mode 5 only
 - Transfer of data blocks from/to system memory by interrupt request (no DMA mode)
- Two independent full-duplex HDLC channels
- Independent time-slot length (1-256 bit)
- Transparent receive/transmit of data bytes without HDLC framing
- Various types of protocol support depending on operating mode
- 64 byte FIFOs per channel and direction
- 8-bit demultiplexed or multiplexed bus interface

3. Packing

Type	Ordering Code	Package
PSB 21525 N V2.1	Q67100-H6672	P-LCC-44
PSB 21525 H V2.1	Q67100-H6671	P-MQFP-44
PSB 21525 F V2.1	Q67100-H6733	P-TQFP-44
PSF 21525 H V2.1	Q67233-H1032	P-MQFP-44

4. Product status

Product	Step	Status	Changes
PSB 21525 N/H/F	V 2.1	Prod. Delivery Release	
PSF 21525 H	V 2.1	ES in Q3/97	

5. Diagram

Grafikname:
Erstellt in:
Erstellt am:

6. Documentation (Please contact our sales office for details)

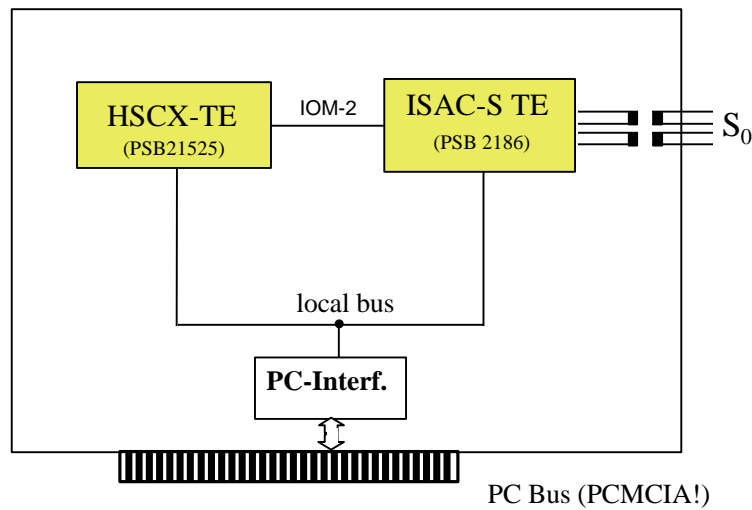
	<u>Date of issue/version</u>	<u>Type of material</u>
User's Manual	11/95	T2152-5V10-M1-7600
Delta Sheet V2.1	2/96	Copy
Delta Sheet (PSF 21525)	5/97	Copy

7. Development Tooling

	<u>Availability</u>	<u>Ordering number</u>
SIPB 5000 Mainboard	available	Q67100-H8647
SIPB 5100 S-Access Module (with PEB 2086)	available	Q67100-H6599
SIPB 5100 S-Access Module (with PSB 2186)	available	Q67100-H6598
SIPB 71525 PS HSCX-TE Ref. Board S-only, complete package	available	Q67100-H6819

8. Applications

- passive ISDN PC-Card



- active ISDN Terminal Adapter

