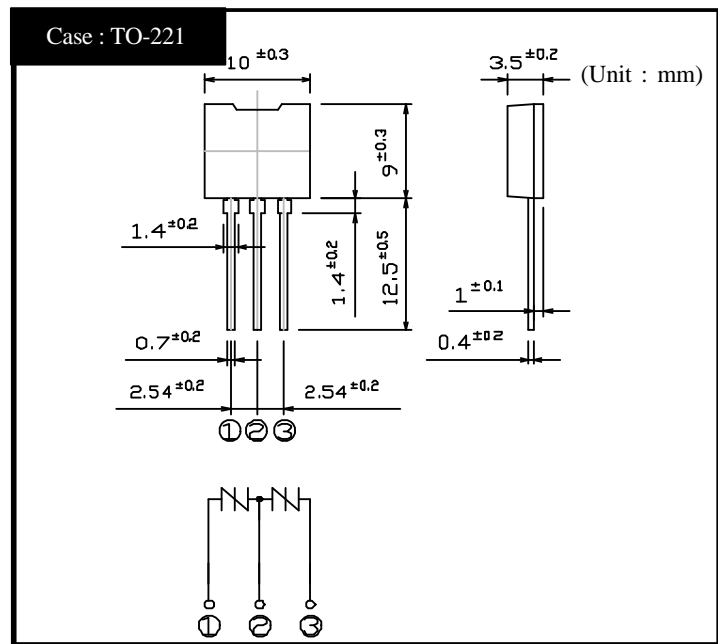


SHINDENGEN

TSS KT Series

KT10N14

OUTLINE DIMENSIONS



RATINGS

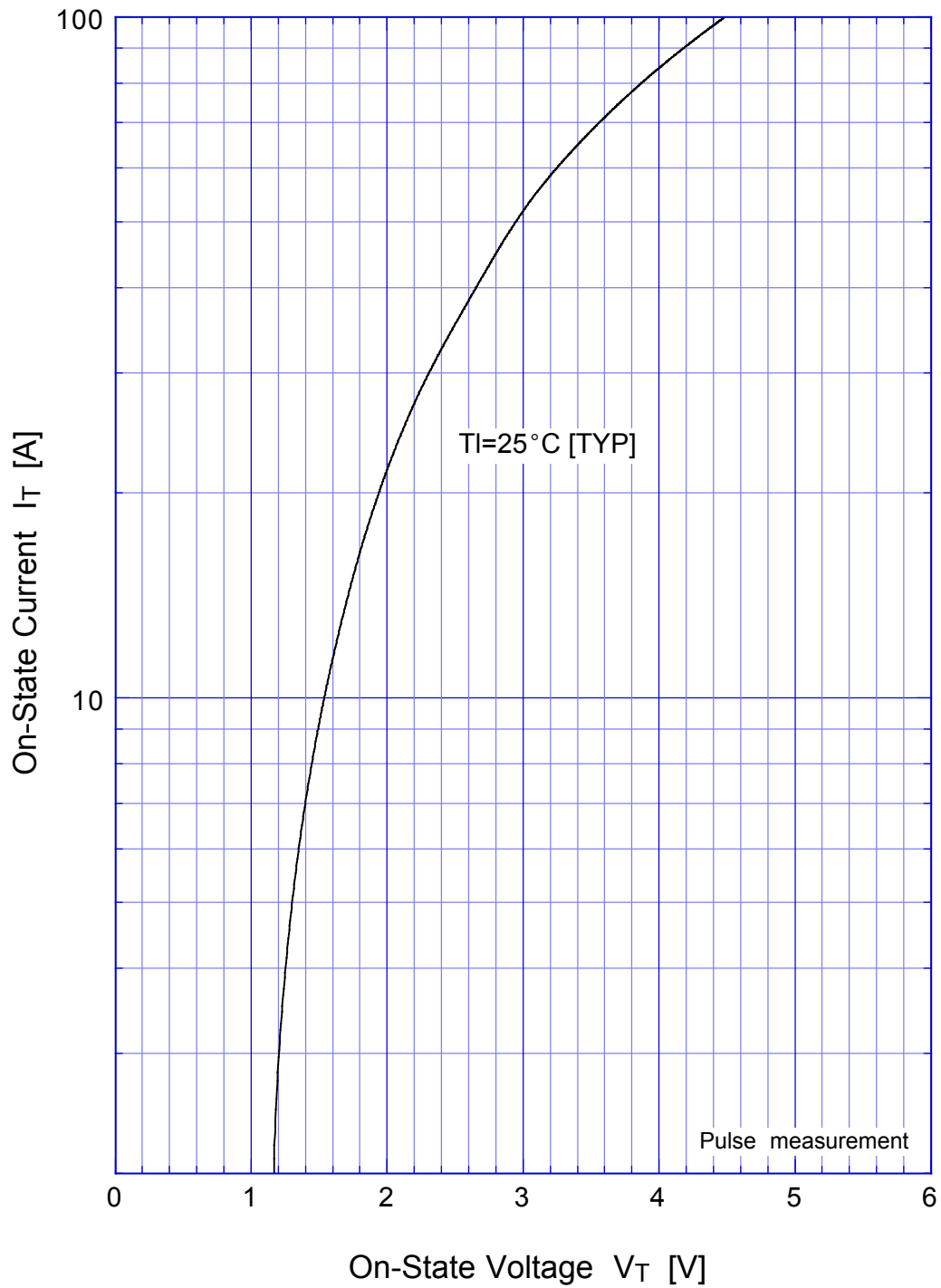
Absolute Maximum Ratings

Item	Symbol	Conditions	Ratings	Unit
Storage Temperature	T_{stg}		-40 ~ 125	
Junction Temperature	T_j		125	
Maximum Off-State Voltage	V_{DRM}		120	V
Surge On-State Current	I_{TSM}	10/1000 μ s, Non-repetitive	100	A
		10/200 μ s, Non-repetitive	150	
		8/20 μ s, Non-repetitive	250	

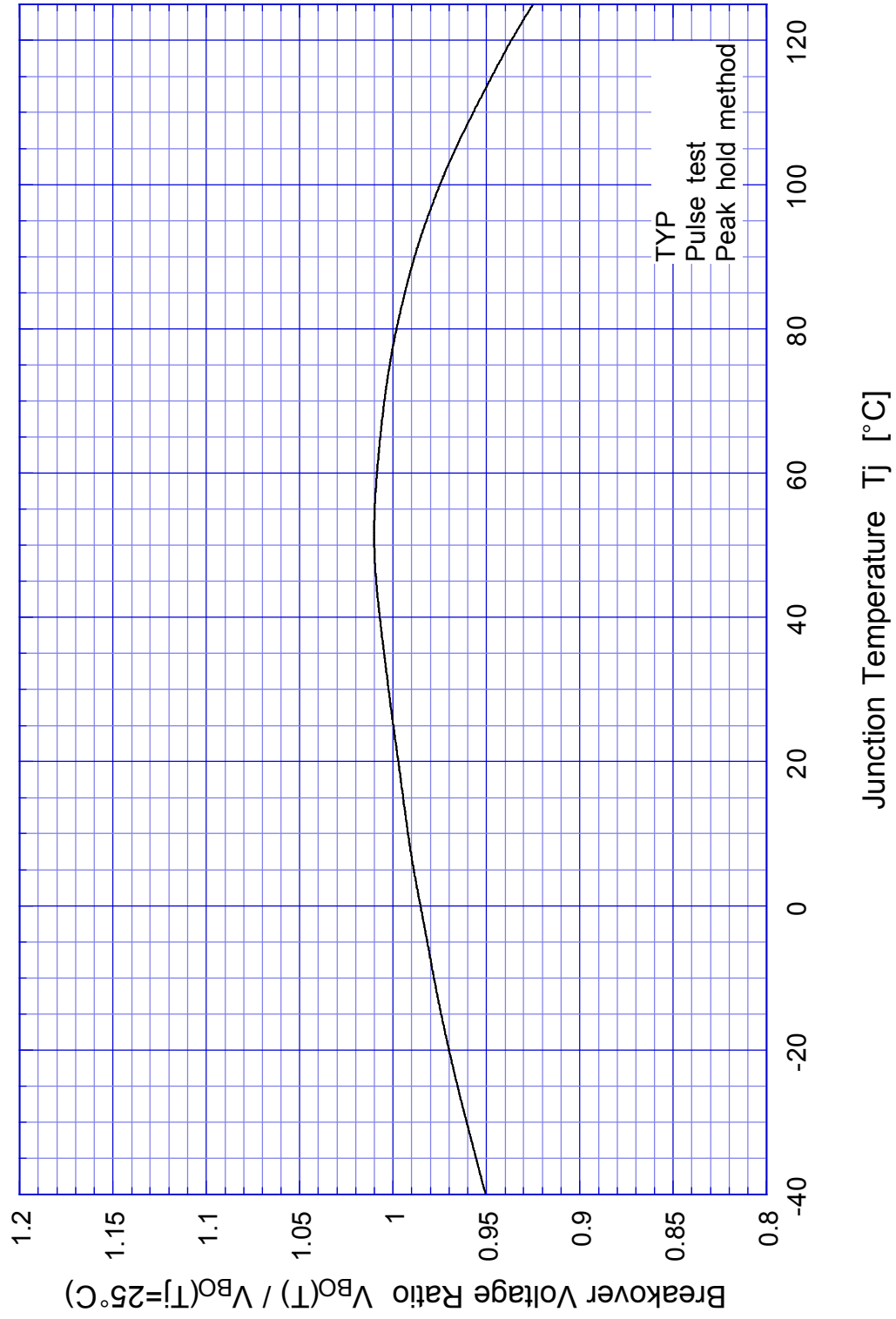
Electrical Characteristics (Tl=25)

Item	Symbol	Conditions	Ratings	Unit
Breakover Voltage	V_{BO}	Pulse measurement (Peak hold)	Min 130	V
Off-State Current	I_{DRM}	$V_D = V_{DRM}$	Max 10	μ A
Holding Current	I_H	Pulse measurement	Min 100	mA
On-State Voltage	V_T	$I_T = 2A$	TYP 1.15	V
Junction Capacitance	C_j	f = 1kHz OSC = 1V, $V_D = 50V$	Max 140	pF
Clamping Voltage	V_{CL}	dv/dt = 100V/ μ s	Max 195	V

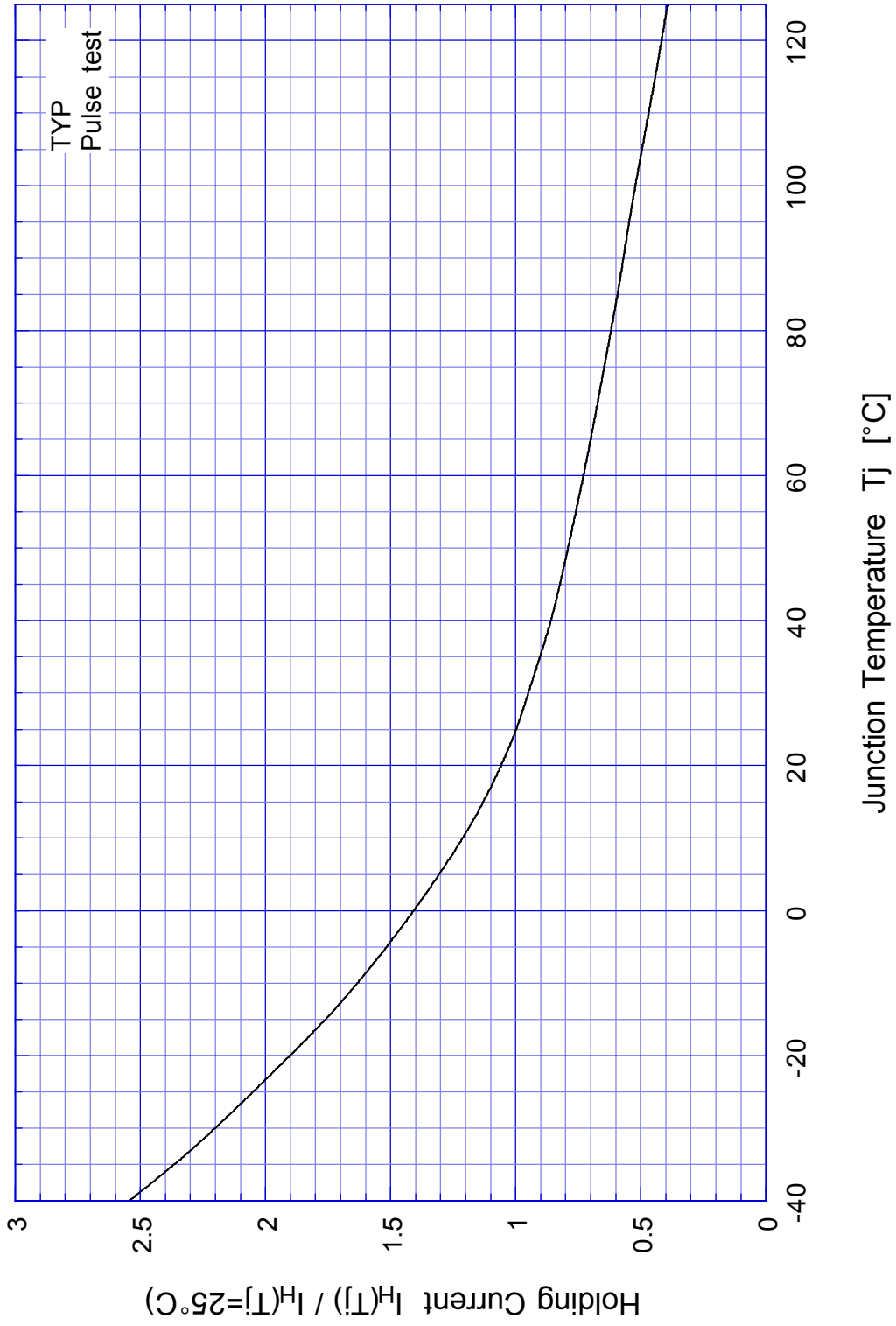
KT10N14 On-State Voltage - On-State Current



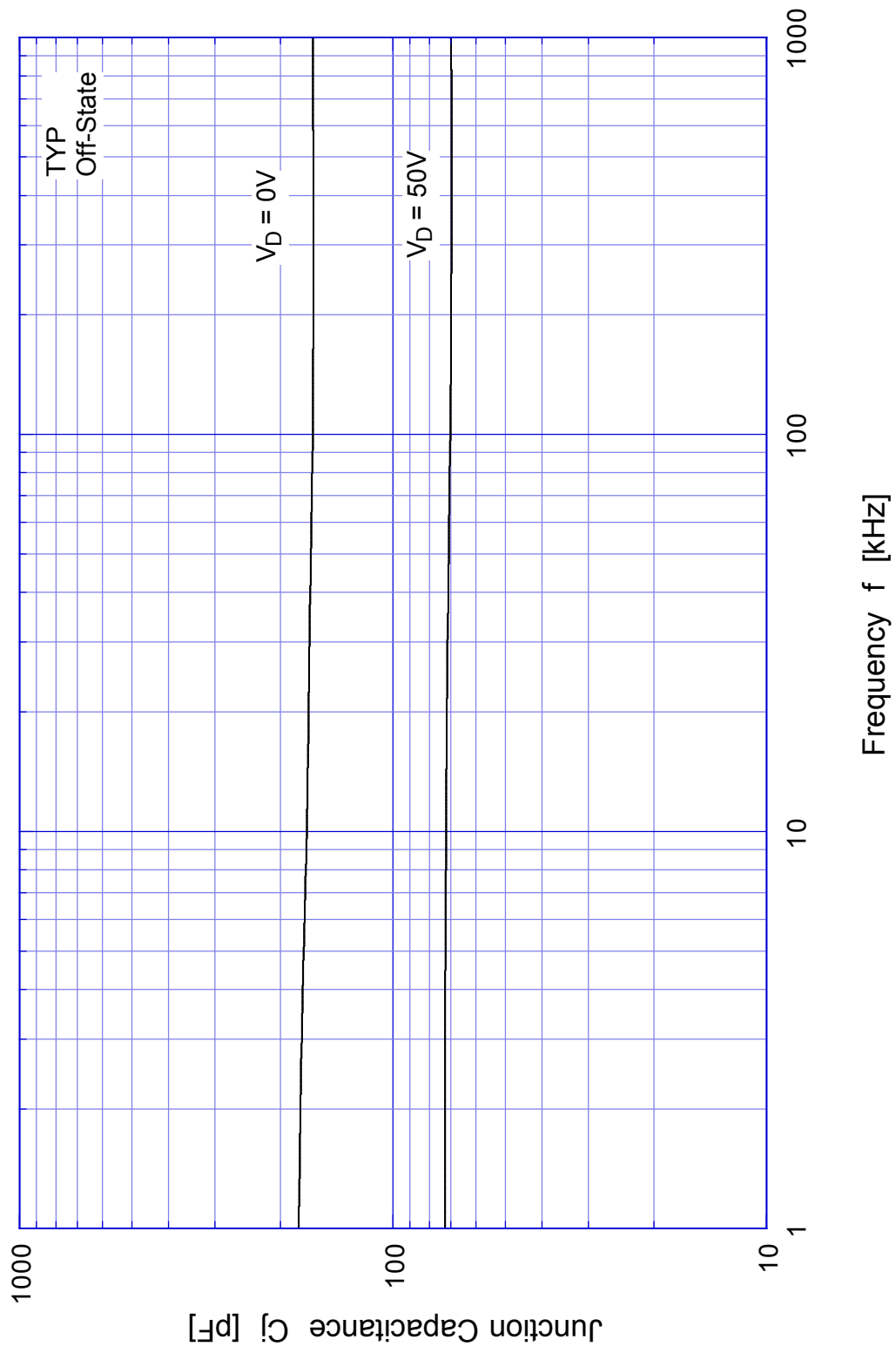
KT10N14 Breakover Voltage - Junction Temperature



KT10N14 Holding Current - Junction Temperature



KT10N14 Junction Capacitance



KT10N14 Junction Capacitance

