

# 54ABT241

## Octal Buffer/Line Driver with TRI-STATE® Outputs

### General Description

The ABT241 is an octal buffer and line driver with 3-STATE outputs designed to be employed as a memory and address driver, clock driver, or bus-oriented transmitter/receiver.

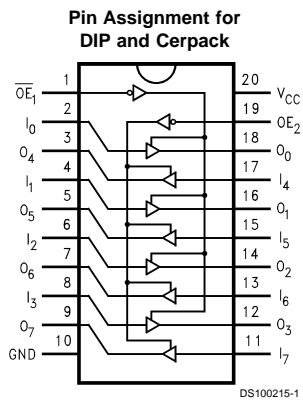
### Features

- Non-inverting buffers
- Output sink capability of 48 mA, source capability of 24 mA
- Guaranteed latchup protection
- High impedance glitch free bus loading during entire power up and power down cycle
- Nondestructive hot insertion capability
- Standard Microcircuit Drawing (SMD) 5962-9322701

### Ordering Code

Military	Package Number	Package Description
54ABT241J-QML	J20A	20-Lead Ceramic Dual-In-Line
54ABT241W-QML	W20A	20-Lead Cerpack
54ABT241E-QML	E20A	20-Lead Ceramic Leadless Chip Carrier, Type C

### Connection Diagram

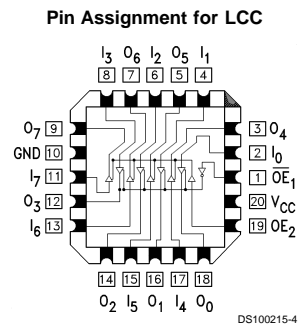


Pin Names	Description
$\overline{OE}_1$	Output Enable Input (Active Low)
$OE_2$	Output Enable Input (Active High)
$I_0-I_7$	Inputs
$O_0-O_7$	Outputs

### Truth Table

$\overline{OE}_1$	$I_{0-3}$	$O_{0-3}$	$\overline{OE}_2$	$I_{4-7}$	$O_{4-7}$
H	X	Z	L	X	Z
L	H	H	H	H	H
L	L	L	H	L	L

H = HIGH Voltage Level  
 L = LOW Voltage Level  
 X = Immaterial  
 Z = High Impedance



TRI-STATE® is a registered trademark of National Semiconductor Corporation.

### Absolute Maximum Ratings (Note 1)

Storage Temperature	-65°C to +150°C
Ambient Temperature under Bias	-55°C to +125°C
Junction Temperature under Bias	
Ceramic	-55°C to +175°C
V <sub>CC</sub> Pin Potential to Ground Pin	-0.5V to +7.0V
Input Voltage (Note 2)	-0.5V to +7.0V
Input Current (Note 2)	-30 mA to +5.0 mA
Voltage Applied to Any Output in the Disabled or Power-Off State	-0.5V to 5.5V
in the HIGH State	-0.5V to V <sub>CC</sub>
Current Applied to Output in LOW State (Max)	twice the rated I <sub>OL</sub> (mA)

DC Latchup Source Current (Over Comm Operating Range)	-500 mA
Over Voltage Latchup (I/O)	10V

### Recommended Operating Conditions

Free Air Ambient Temperature	
Military	-55°C to +125°C
Supply Voltage	
Military	+4.5V to +5.5V
Minimum Input Edge Rate	(ΔV/Δt)
Data Input	50 mV/ns
Enable Input	20 mV/ns

**Note 1:** Absolute maximum ratings are values beyond which the device may be damaged or have its useful life impaired. Functional operation under these conditions is not implied.

**Note 2:** Either voltage limit or current limit is sufficient to protect inputs.

### DC Electrical Characteristics

Symbol	Parameter	Min	Typ	Max	Units	V <sub>CC</sub>	Conditions
V <sub>IH</sub>	Input HIGH Voltage	2.0			V		Recognized HIGH Signal
V <sub>IL</sub>	Input LOW Voltage			0.8	V		Recognized LOW Signal
V <sub>CD</sub>	Input Clamp Diode Voltage			-1.2	V	Min	I <sub>IN</sub> = -18 mA
V <sub>OH</sub>	Output HIGH Voltage	54ABT	2.5		V	Min	I <sub>OH</sub> = -3 mA
		54ABT	2.0		V	Min	I <sub>OH</sub> = -24 mA
V <sub>OL</sub>	Output LOW Voltage	54ABT		0.55	V	Min	I <sub>OL</sub> = 48 mA
I <sub>IH</sub>	Input HIGH Current			5	μA	Max	V <sub>IN</sub> = 2.7V (Note 4)
				5	μA	Max	V <sub>IN</sub> = V <sub>CC</sub>
I <sub>BVI</sub>	Input HIGH Current Breakdown Test			7	μA	Max	V <sub>IN</sub> = 7.0V
I <sub>IL</sub>	Input LOW Current			-5	μA	Max	V <sub>IN</sub> = 0.5V (Note 4)
				-5	μA	Max	V <sub>IN</sub> = 0.0V
V <sub>ID</sub>	Input Leakage Test	4.75			V	0.0	I <sub>ID</sub> = 1.9 μA All Other Pins Grounded
I <sub>OZH</sub>	Output Leakage Current			50	μA	0 - 5.5V	V <sub>OUT</sub> = 2.7V; $\overline{OE}_n = 2.0V$
I <sub>OZL</sub>	Output Leakage Current			-50	μA	0 - 5.5V	V <sub>OUT</sub> = 0.5V; $\overline{OE}_n = 2.0V$
I <sub>OS</sub>	Output Short-Circuit Current	-100		-275	mA	Max	V <sub>OUT</sub> = 0.0V
I <sub>CEX</sub>	Output High Leakage Current			50	μA	Max	V <sub>OUT</sub> = V <sub>CC</sub>
I <sub>ZZ</sub>	Bus Drainage Test			100	μA	0.0	V <sub>OUT</sub> = 5.5V; All Others GND
I <sub>CCH</sub>	Power Supply Current			50	μA	Max	All Outputs HIGH
I <sub>CCL</sub>	Power Supply Current			30	mA	Max	All Outputs LOW
I <sub>CCZ</sub>	Power Supply Current			50	μA	Max	$\overline{OE}_n = V_{CC}$ ; All Others at V <sub>CC</sub> or Ground
I <sub>CCT</sub>	Additional I <sub>CC</sub> /Input	Outputs Enabled		2.5	mA	Max	V <sub>I</sub> = V <sub>CC</sub> - 2.1V
		Outputs 3-STATE		2.5	mA	Max	Enable Input V <sub>I</sub> = V <sub>CC</sub> - 2.1V
		Outputs 3-STATE		50	μA	Max	Data Input V <sub>I</sub> = V <sub>CC</sub> - 2.1V All Others at V <sub>CC</sub> or Ground
I <sub>CCD</sub>	Dynamic I <sub>CC</sub>	No Load			mA/ MHz	Max	Outputs Open $\overline{OE}_n = GND$ , (Note 3) One Bit Toggling, 50% Duty Cycle

**Note 3:** For 8 bits toggling, I<sub>CCD</sub> < 0.8 mA/MHz.

**Note 4:** Guaranteed, but not tested.

## DC Electrical Characteristics

Symbol	Parameter	Min	Max	Units	V <sub>CC</sub>	Conditions C <sub>L</sub> = 50 pF, R <sub>L</sub> = 500Ω
V <sub>OLP</sub>	Quiet Output Maximum Dynamic V <sub>OL</sub>		0.67	V	5.0	T <sub>A</sub> = 25°C (Note 5)
V <sub>OLV</sub>	Quiet Output Minimum Dynamic V <sub>OL</sub>		-1.35	V	5.0	T <sub>A</sub> = 25°C (Note 5)

**Note 5:** Max number of outputs defined as (n). n - 1 data inputs are driven 0V to 3V. One output at LOW. Guaranteed, but not tested.

## AC Electrical Characteristics

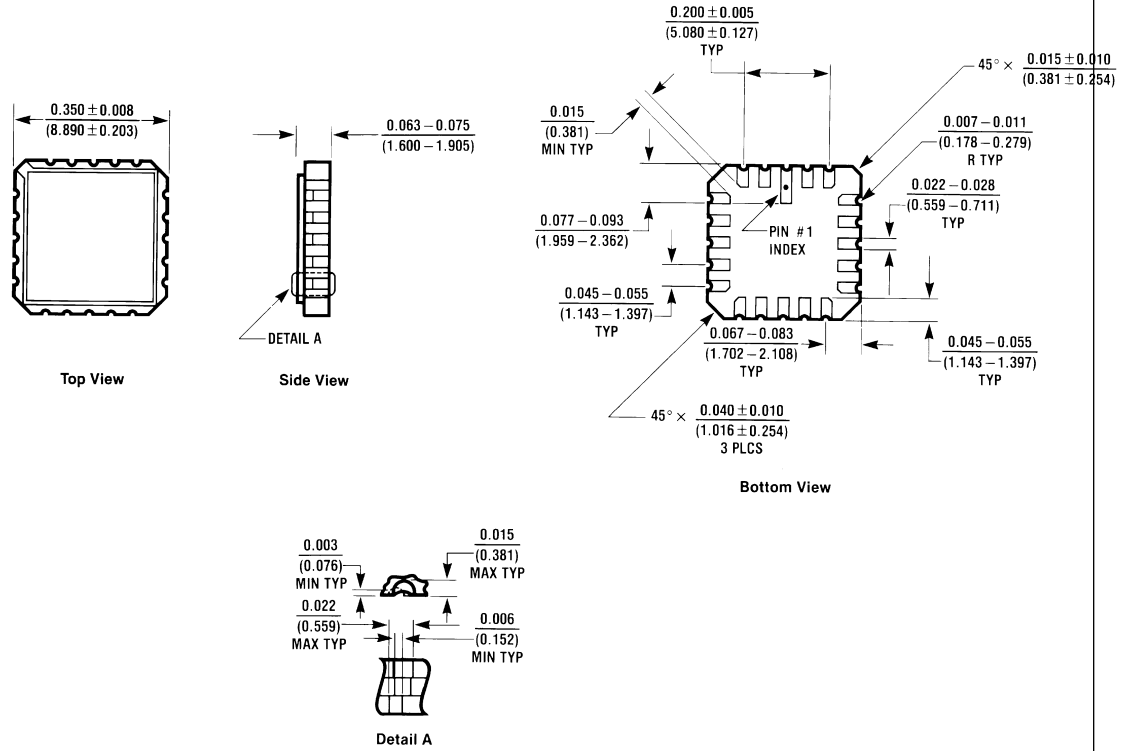
Symbol	Parameter	T <sub>A</sub> = -55°C to +125°C V <sub>CC</sub> = 4.5V-5.5V C <sub>L</sub> = 50 pF		Units	Fig. No.
		Min	Max		
t <sub>PLH</sub>	Propagation Delay	0.8	5.3	ns	
t <sub>PHL</sub>	Data to Outputs	0.8	5.0		
t <sub>PZH</sub>	Output Enable	1.0	7.0	ns	
t <sub>PZL</sub>	Time	1.0	7.0		
t <sub>PHZ</sub>	Output Disable	0.8	7.9	ns	
t <sub>PLZ</sub>	Time	0.8	6.2		

## Capacitance

Symbol	Parameter	Typ	Units	Conditions T <sub>A</sub> = 25°C
C <sub>IN</sub>	Input Capacitance	5.0	pF	V <sub>CC</sub> = 0V
C <sub>OUT</sub> (Note 6)	Output Capacitance	9.0	pF	V <sub>CC</sub> = 5.0V

**Note 6:** C<sub>OUT</sub> is measured at frequency f = 1 MHz, per MIL-STD-883B, Method 3012.

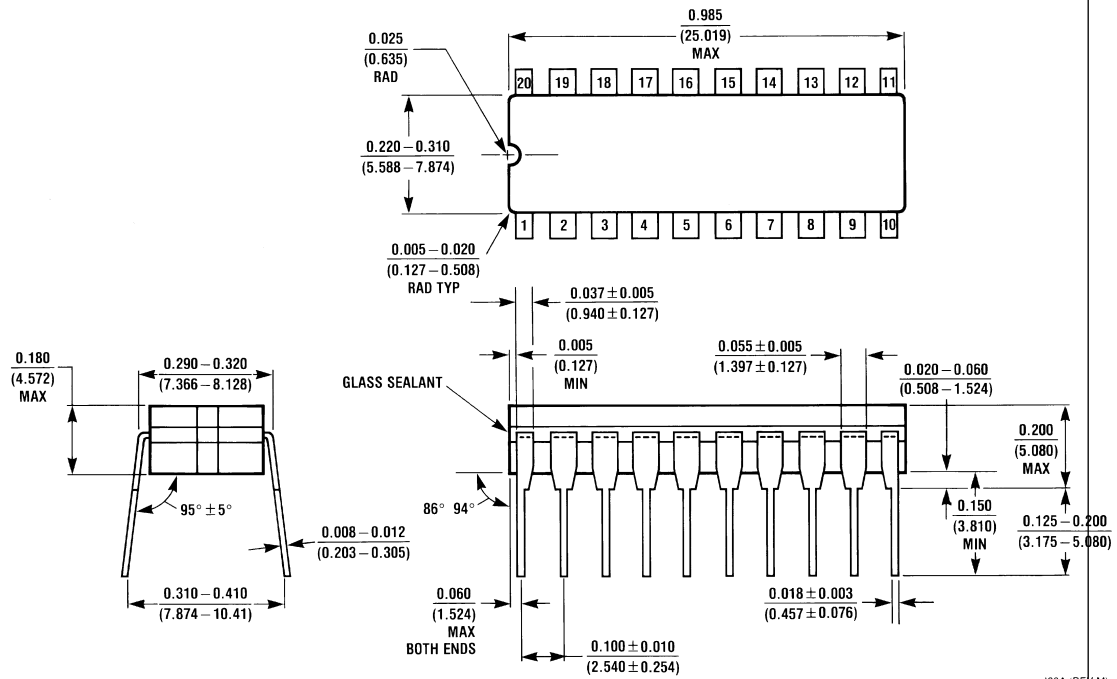
### Physical Dimensions inches (millimeters) unless otherwise noted



20-Lead Ceramic Leadless Chip Carrier  
Package Number E20A

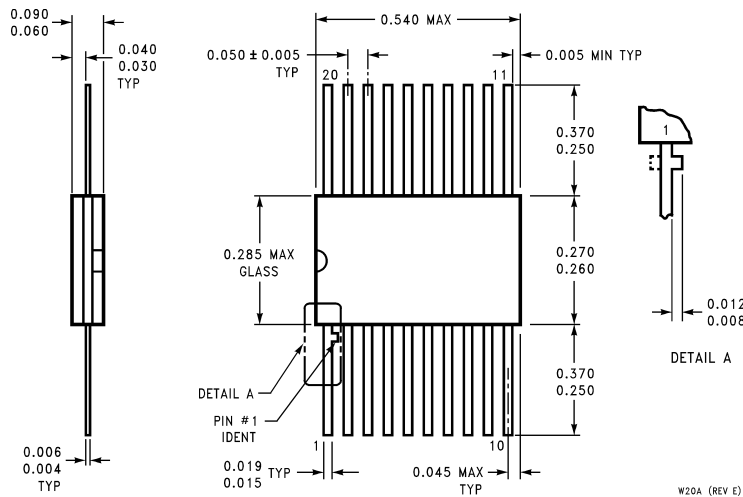
E20A (REV. D)

**Physical Dimensions** inches (millimeters) unless otherwise noted (Continued)



J20A (REV M)

**20-Lead Ceramic Dual-In-Line  
Package Number J20A**



W20A (REV E)

**20-Lead Ceramic Flatpack  
Package Number W20A**

**LIFE SUPPORT POLICY**

NATIONAL'S PRODUCTS ARE NOT AUTHORIZED FOR USE AS CRITICAL COMPONENTS IN LIFE SUPPORT DEVICES OR SYSTEMS WITHOUT THE EXPRESS WRITTEN APPROVAL OF THE PRESIDENT OF NATIONAL SEMICONDUCTOR CORPORATION. As used herein:

1. Life support devices or systems are devices or systems which, (a) are intended for surgical implant into the body, or (b) support or sustain life, and whose failure to perform when properly used in accordance with instructions for use provided in the labeling, can be reasonably expected to result in a significant injury to the user.
2. A critical component in any component of a life support device or system whose failure to perform can be reasonably expected to cause the failure of the life support device or system, or to affect its safety or effectiveness.



**National Semiconductor Corporation**  
Americas  
Tel: 1-800-272-9959  
Fax: 1-800-737-7018  
Email: support@nsc.com

**National Semiconductor Europe**  
Fax: +49 (0) 1 80-530 85 86  
Email: europe.support@nsc.com  
Deutsch Tel: +49 (0) 1 80-530 85 85  
English Tel: +49 (0) 1 80-532 78 32  
Français Tel: +49 (0) 1 80-532 93 58  
Italiano Tel: +49 (0) 1 80-534 16 80

**National Semiconductor Asia Pacific Customer Response Group**  
Tel: 65-2544466  
Fax: 65-2504466  
Email: sea.support@nsc.com

**National Semiconductor Japan Ltd.**  
Tel: 81-3-5620-6175  
Fax: 81-3-5620-6179

www.national.com

National does not assume any responsibility for use of any circuitry described, no circuit patent licenses are implied and National reserves the right at any time without notice to change said circuitry and specifications.