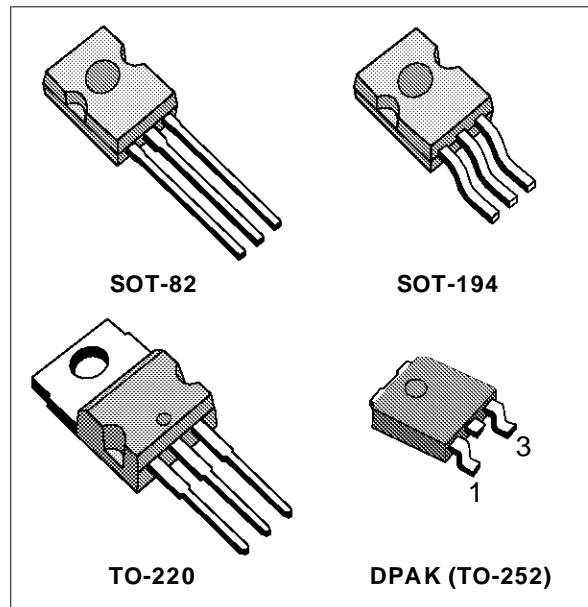


VERY LOW DROP 1A REGULATOR

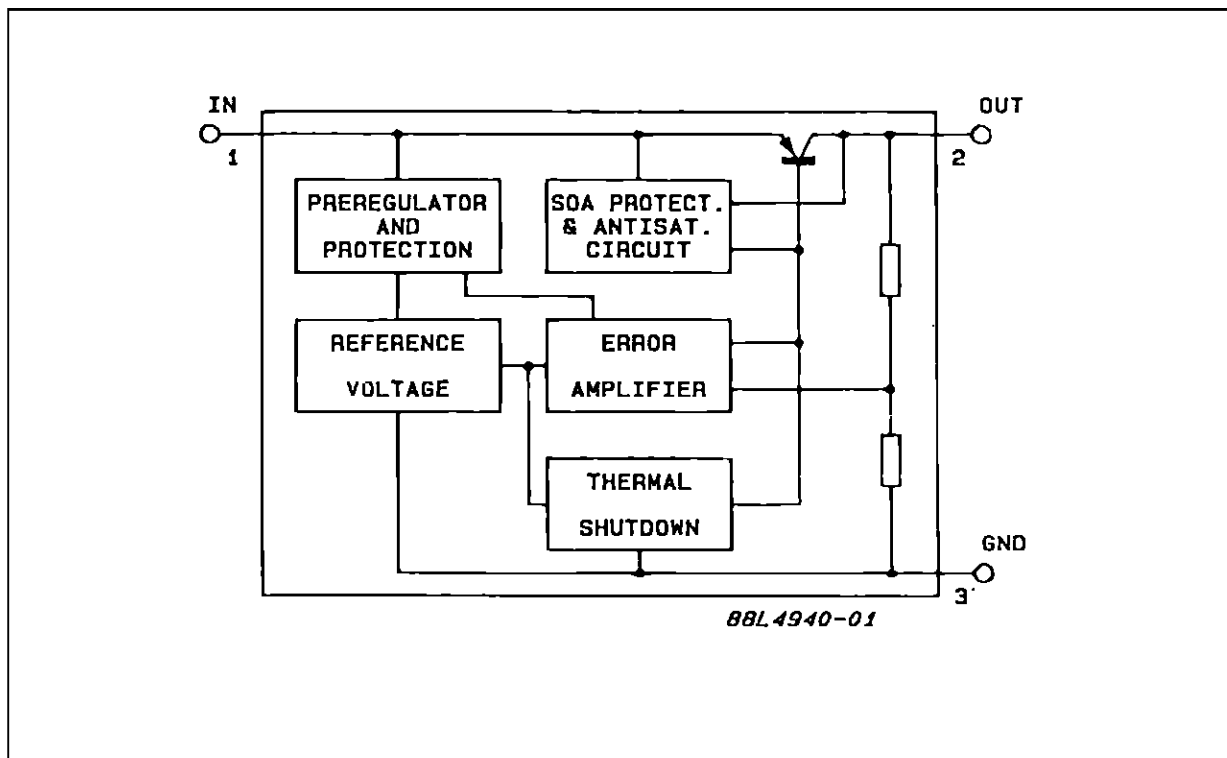
- LOW DROPOUT VOLTAGE (450 mV typ at 1A)
- VERY LOW QUIESCENT CURRENT
- THERMAL SHUTDOWN
- SHORT CIRCUIT PROTECTION
- REVERSE POLARITY PROTECTION

DESCRIPTION

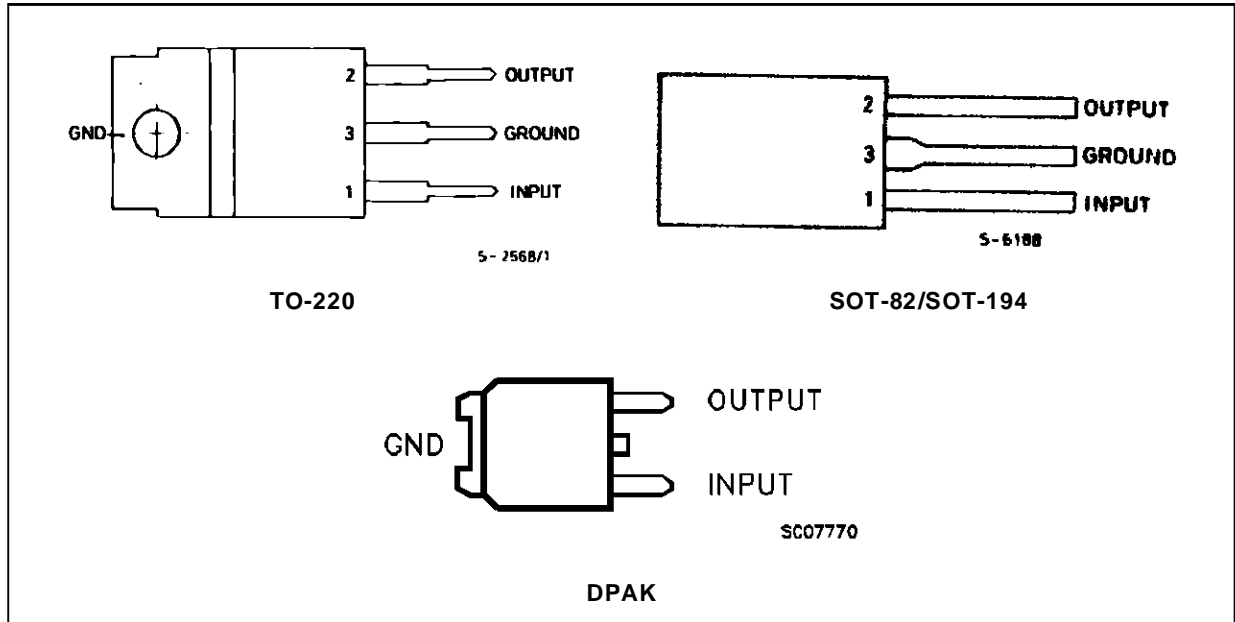
The L4941 is a three terminal 5 V positive regulator available in TO-220, SOT-82, SOT-194 and DPAK packages, making it useful in a wide range of the industrial and consumer applications. Thanks to its very low input/output voltage drop, this device is particularly suitable for battery powered equipment, reducing consumption and prolonging battery life. It employs internal current limiting, antisaturation circuit, thermal shut-down and safe area protection.



BLOCK DIAGRAM



PIN CONNECTIONS AND ORDERING NUMBER (top view)



ORDERING NUMBERS	OUTPUT VOLTAGE	PACKAGE
L4941BV	5V	TO-220
L4941BX	5V	SOT-82
L4941BS	5V	SOT-194
L4941BDT	5V	DPAK

ABSOLUTE MAXIMUM RATINGS

Symbol	Parameter	Value	Unit
V_i	Forward Input Voltage	30	V
V_{iR}	Reverse Input Voltage ($R_O = 100 \Omega$)	- 15	V
I_O	Output Current	Internally Limited	
P_{tot}	Power Dissipation	Internally Limited	
T_j, T_{stg}	Junction and Storage Temperature	- 40 to 150	°C

THERMAL DATA

			SOT-82 SOT-194 DPAK	TO-220	
$R_{thj-case}$	Thermal Resistance Junction-case	Max	8	3	°C/W
$R_{thj-amb}$	Thermal resistance Junction-ambient	Max	100	50	°C/W

TEST CIRCUITS

Figure 1 : DC Parameters.

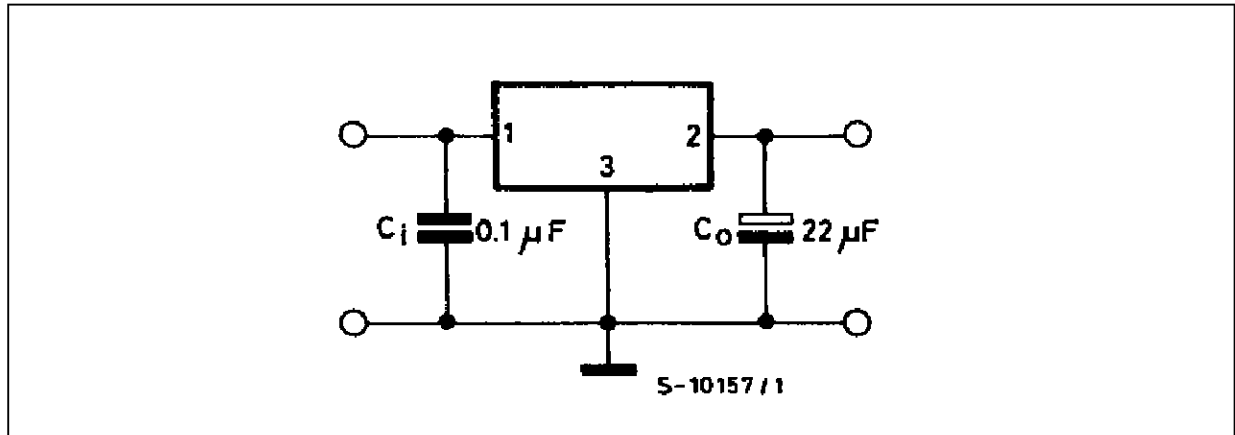


Figure 2 : Load Regulation.

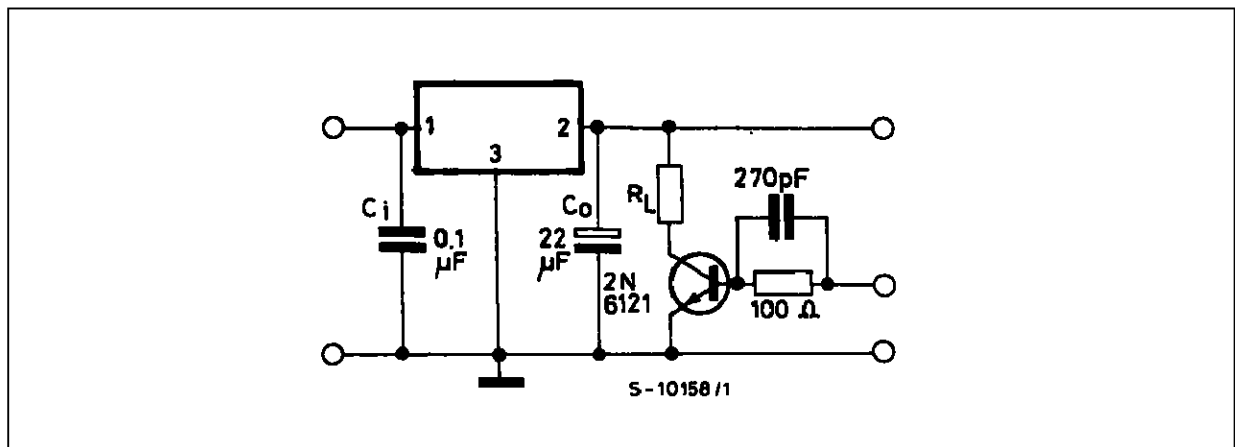
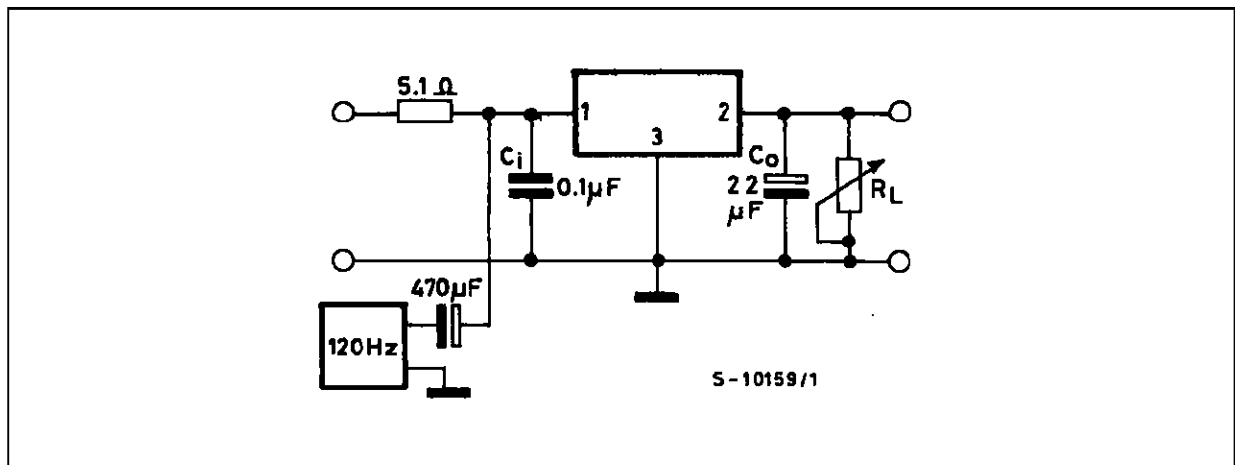


Figure 3 : Ripple Rejection.



ELECTRICAL CHARACTERISTICS (refer to the test circuits $T_j = 25\text{ }^\circ\text{C}$, $C_i = 0.1\text{ }\mu\text{F}$, $C_o = 22\text{ }\mu\text{F}$, unless otherwise specified)

Symbol	Parameter	Test Conditions	Min.	Typ.	Max.	Unit
Output Voltage			5			
Input Voltage (unless otherwise specified)			7			
V_o	Output Voltage	$I_o = 5\text{ mA to }1\text{ A}$ $V_i = 6\text{ V to }14\text{ V}$	4.8	5	5.2	V
V_i	Operating Input Voltage	$I_o = 5\text{ mA}$			16	V
ΔV_o	Line Regulation	$V_i = 6\text{ V to }16\text{ V}$ $I_o = 5\text{ mA}$		5	20	mV
ΔV_o	Load Regulation	$I_o = 5\text{ mA to }1\text{ A}$ $I_o = 0.5\text{ A to }1\text{ A}$		8 5	20 15	mV
I_Q	Quiescent Current	$V_i = 6\text{ V}$	$I_o = 5\text{ mA}$	4	8	mA
			$I_o = 1\text{ A}$	20	40	
ΔI_Q	Quiescent Current Change	$V_i = 6\text{ V to }14\text{ V}$	$I_o = 5\text{ mA}$		3	mA
			$I_o = 1\text{ A}$		- 10	
V_d	Dropout Voltage	$I_o = 0.5\text{ A}$		250	450	mV
		$I_o = 1\text{ A}$		450	700	
$\frac{\Delta V_o}{\Delta T}$	Output Voltage Drift			0.6		mV/ $^\circ\text{C}$
SVR	Supply Voltage Rejection	$f = 120\text{ Hz}$ $I_o = 0.5\text{ A}$	58	68		dB
I_{sc}	Short Circuit Current Limit	$V_i = 14\text{ V}$		1.6	2.0	A
		$V_i = 6\text{ V}$		1.8	2.2	
Z_o	Output Impedance	$f = 1\text{ kHz}$ $I_o = 0.5\text{ A}$		30		m Ω
e_N	Output Noise Voltage	$B = 100\text{ Hz to }100\text{ kHz}$		30		$\mu\text{V}/V_o$

Figure 4 : Dropout voltage vs. Output Current.

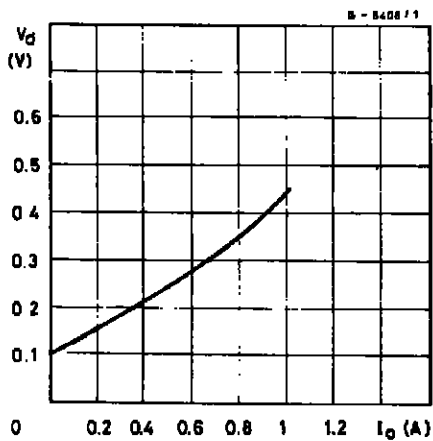


Figure 5 : Dropout Voltage vs. Temperature.

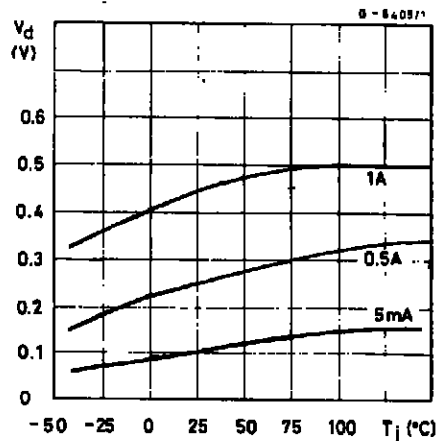


Figure 6 : Output voltage vs. Temperature.

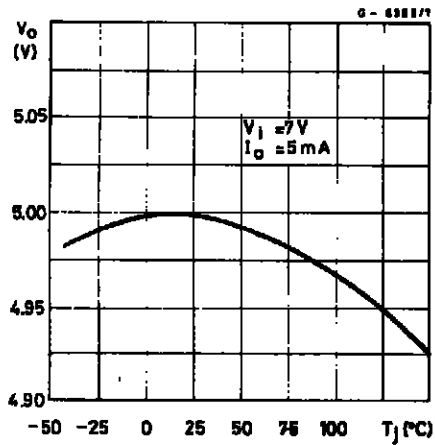


Figure 7 : Quiescent Current vs. Temperature

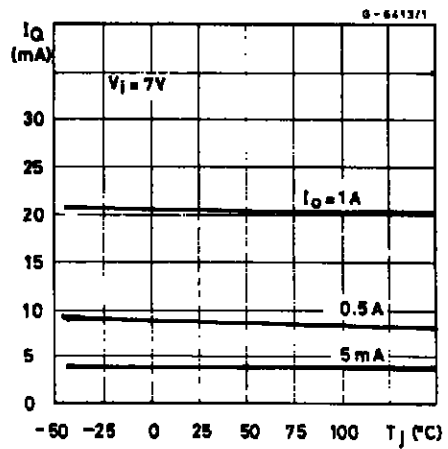


Figure 8 : Quiescent Current vs. Input Voltage.

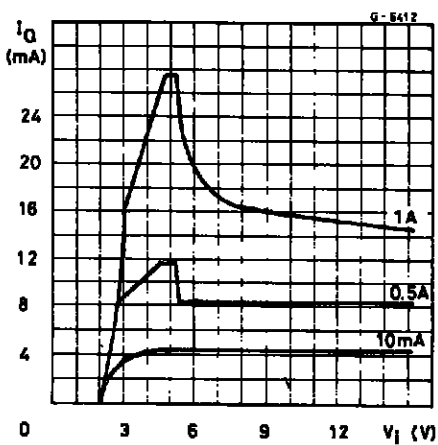


Figure 9 : Quiescent Current vs. Output Current

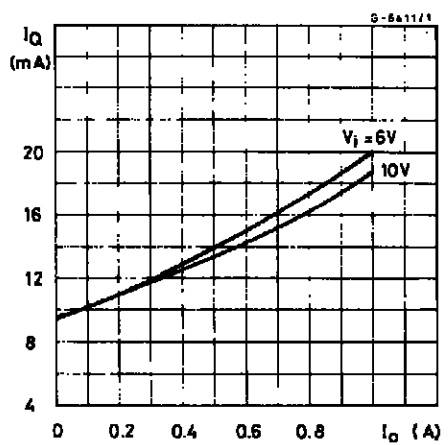


Figure 10 : Short-circuit Current vs. Temperature.

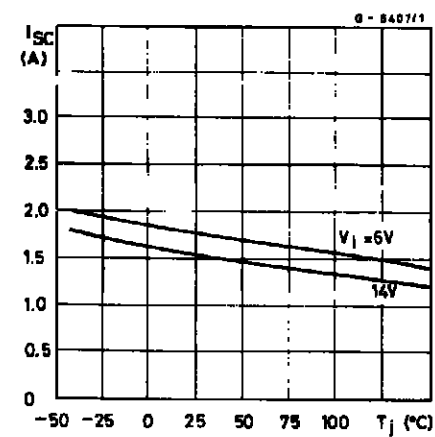


Figure 11 : Peak Output Current vs. Input/Output Differential Voltage.

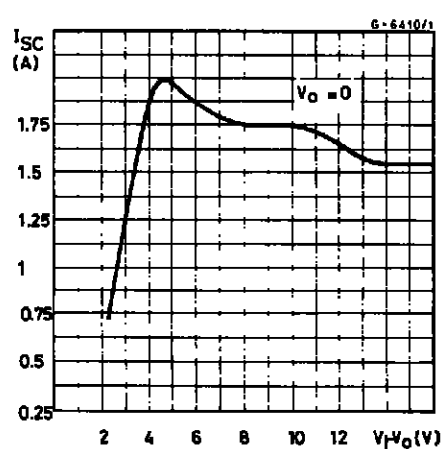


Figure 12 : Low Voltage Behavior.

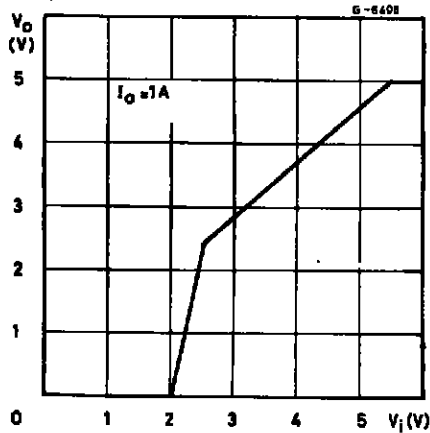


Figure 14 : Supply Voltage Rejection vs. Output Current.

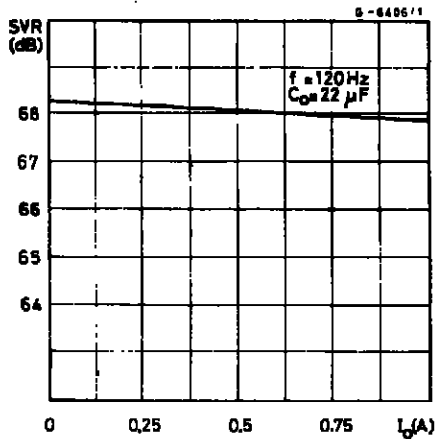


Figure 16 : Line Transient Response.

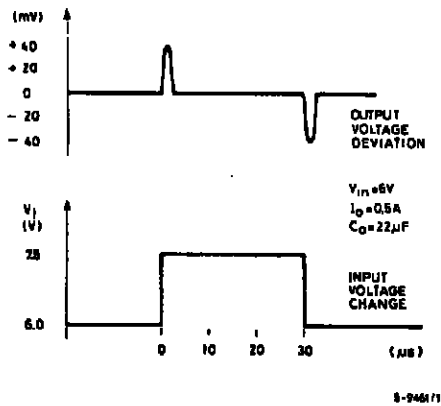


Figure 13 : Supply Voltage Rejection vs. Frequency

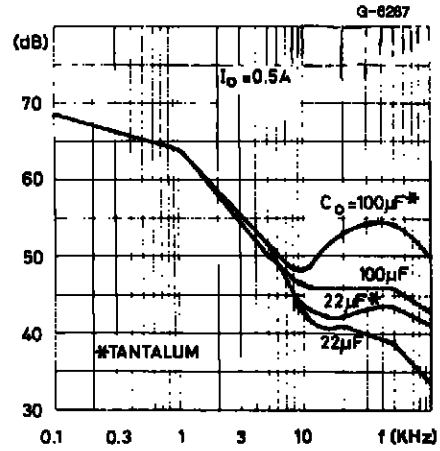


Figure 15 : Load Dump Characteristics.

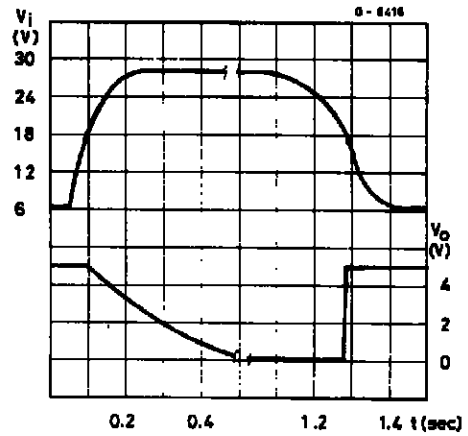


Figure 17 : Load Transient Response.

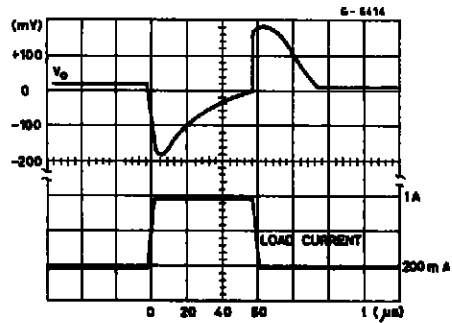


Figure 18 : Total Power Dissipation (TO-220).

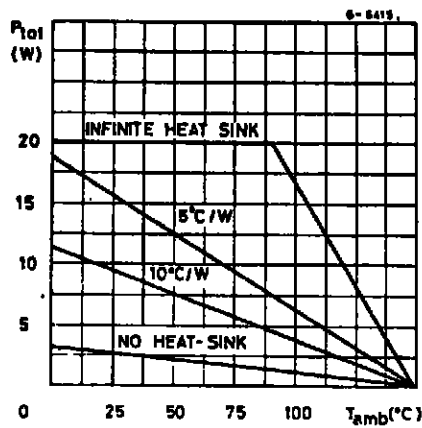
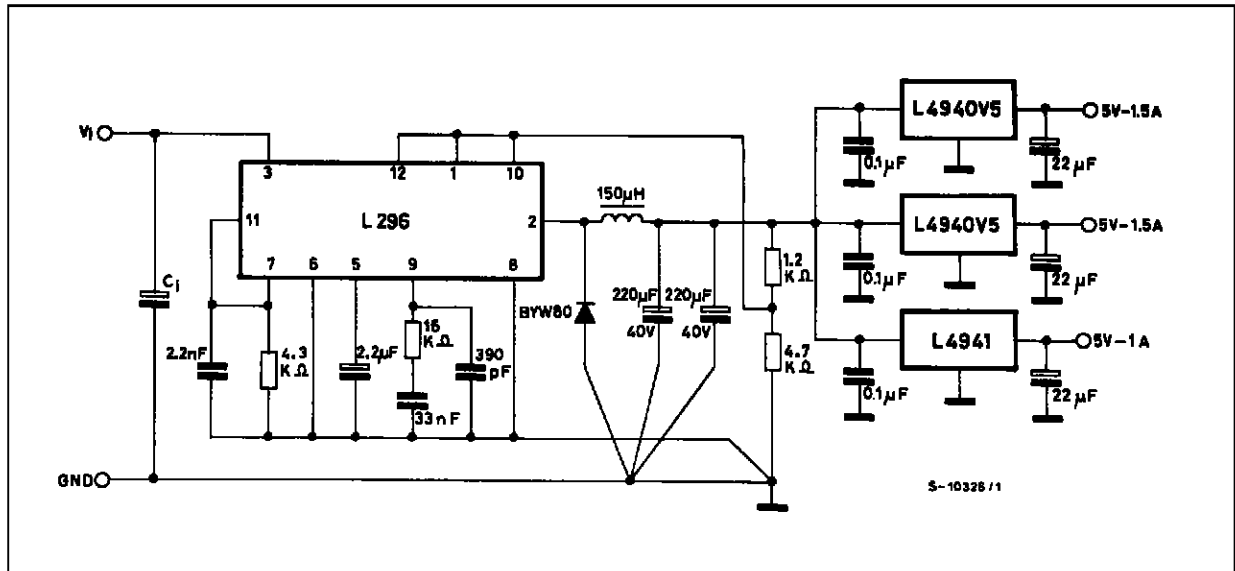


Figure 19 : Distributed Supply with On-card L4940 and L4941 Low-drop Regulators.

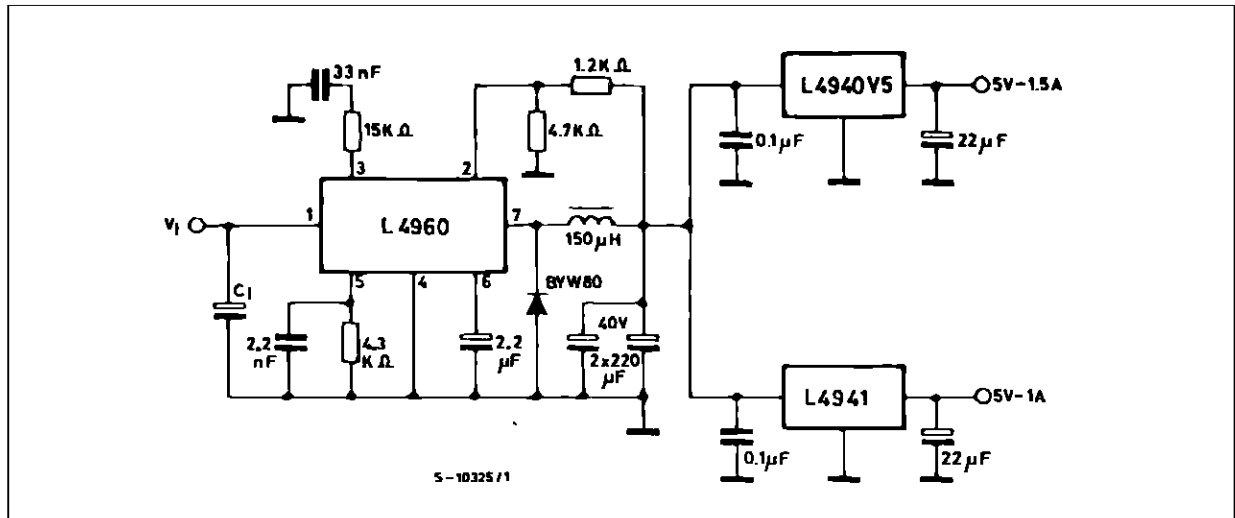


ADVANTAGES OF THESE APPLICATIONS ARE :

- On card regulation with short-circuit and thermal protection on each output.
- Very high total system efficiency due to the switching preregulation and very low-drop postregulations.

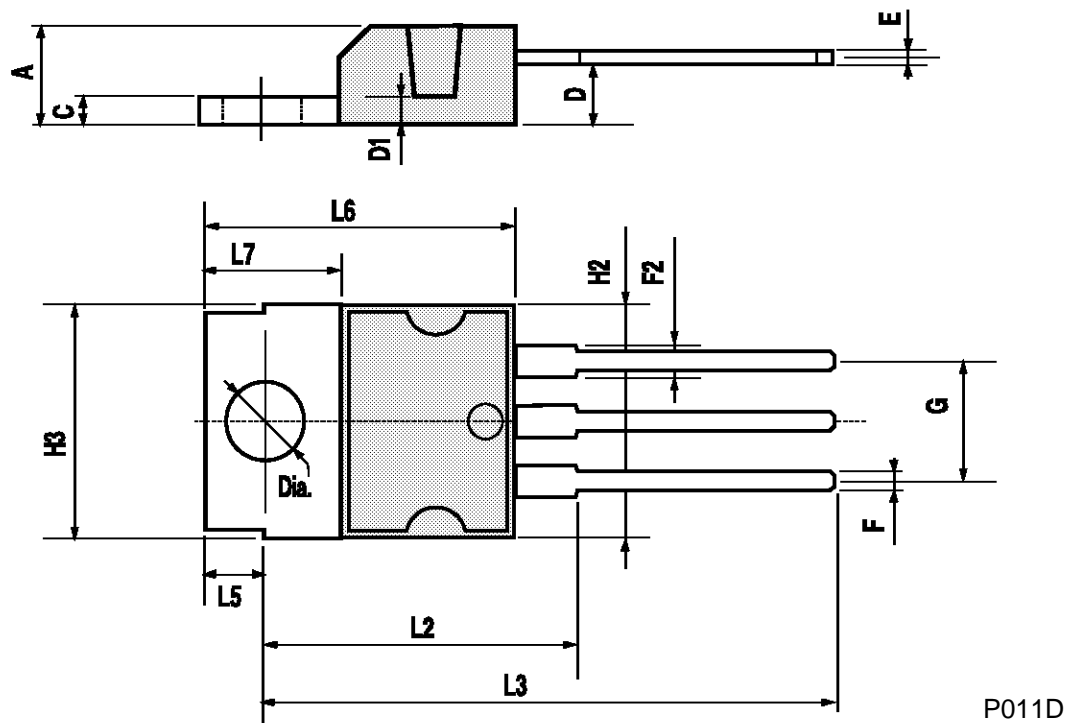
L4941

Figure 20 : Distributed Supply with On-card L4940 and L4941 Low-drop Regulators.



TO-220 MECHANICAL DATA

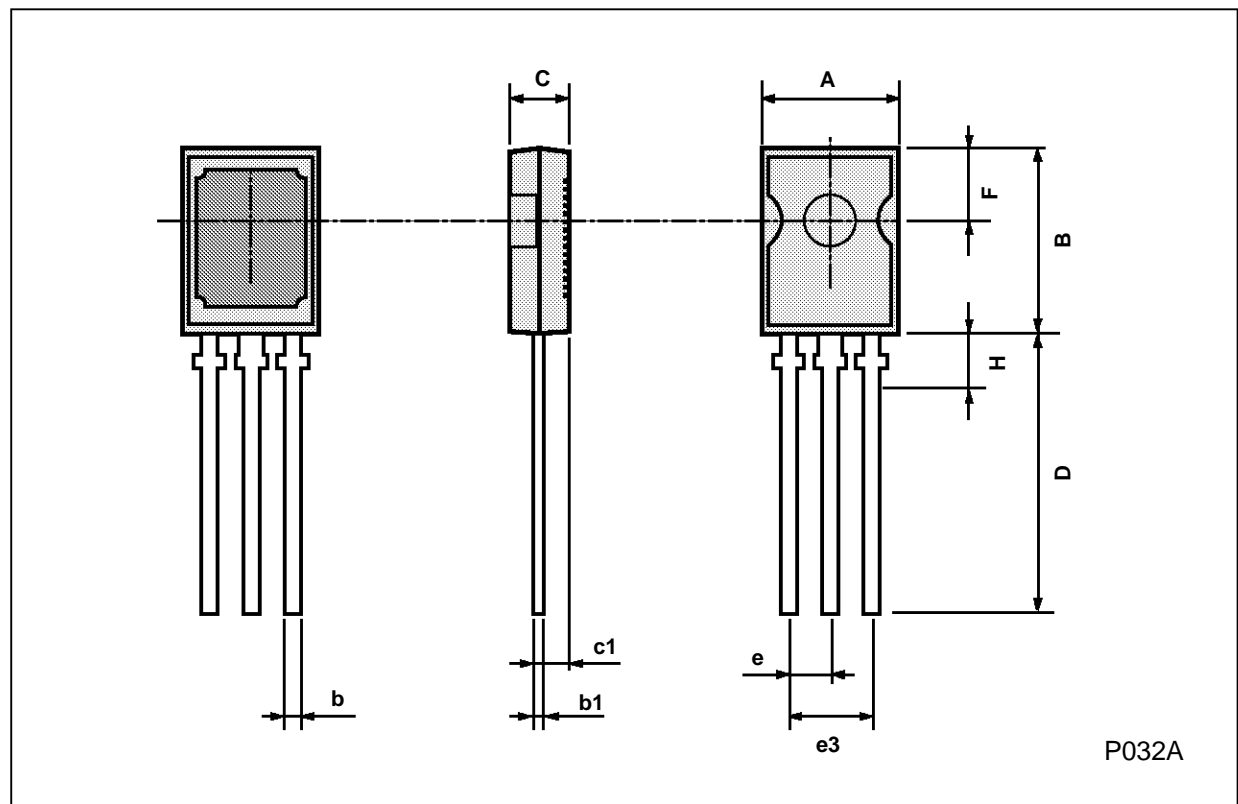
DIM.	mm			inch		
	MIN.	TYP.	MAX.	MIN.	TYP.	MAX.
A			4.8			0.189
C			1.37			0.054
D	2.4		2.8	0.094		0.110
D1	1.2		1.35	0.047		0.053
E	0.35		0.55	0.014		0.022
F	0.8		1.05	0.031		0.041
F2	1.15		1.4	0.045		0.055
G	4.95	5.08	5.21	0.195	0.200	0.205
H2			10.4			0.409
H3	10.05		10.4	0.396		0.409
L2		16.2			0.638	
L3	26.3	26.7	27.1	1.035	1.051	1.067
L5	2.6		3	0.102		0.118
L6	15.1		15.8	0.594		0.622
L7	6		6.6	0.236		0.260
Dia.	3.65		3.85	0.144		0.152



P011D

SOT-82 MECHANICAL DATA

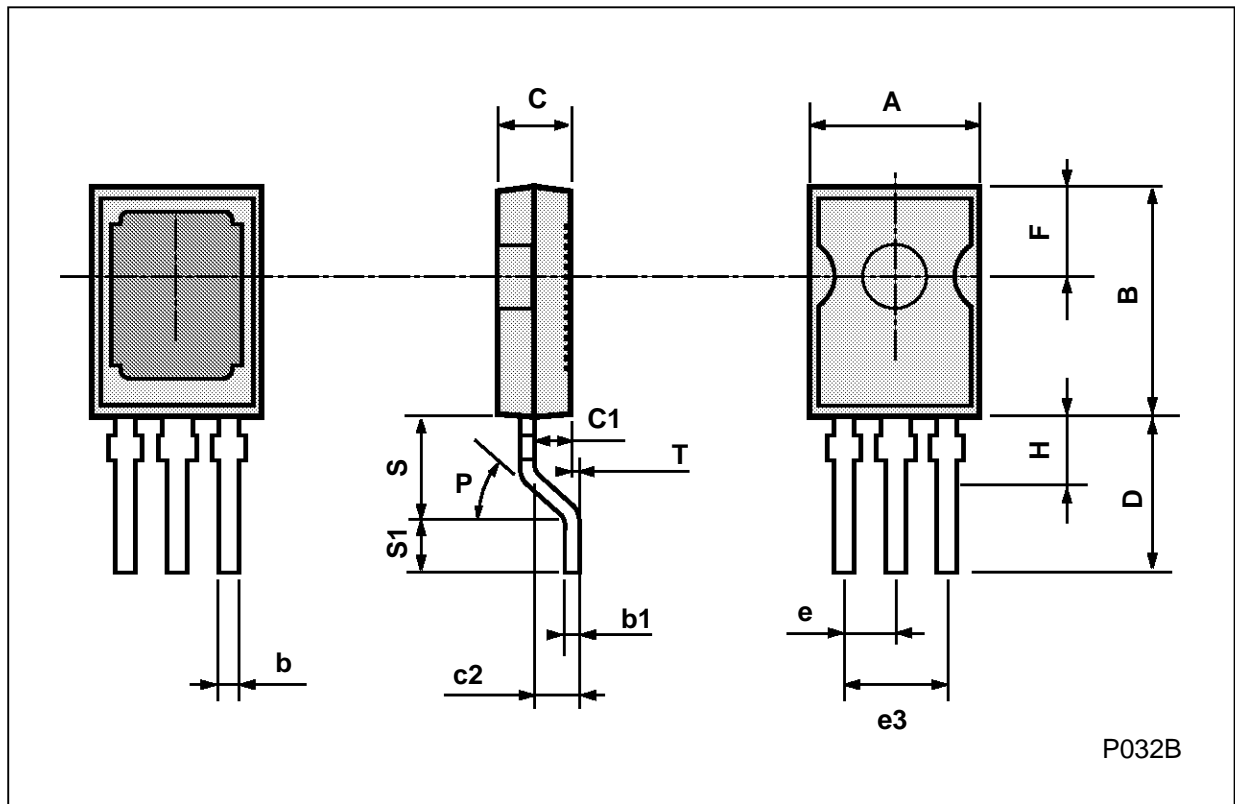
DIM.	mm			inch		
	MIN.	TYP.	MAX.	MIN.	TYP.	MAX.
A	7.4		7.8	0.291		0.307
B	10.5		11.3	0.413		0.445
b	0.7		0.9	0.028		0.035
b1	0.49		0.75	0.019		0.030
C	2.4		2.7	0.04		0.106
c1		1.2			0.047	
D		15.7			0.618	
e		2.2			0.087	
e3		4.4			0.173	
F		3.8			0.150	
H			2.54		0.100	



P032A

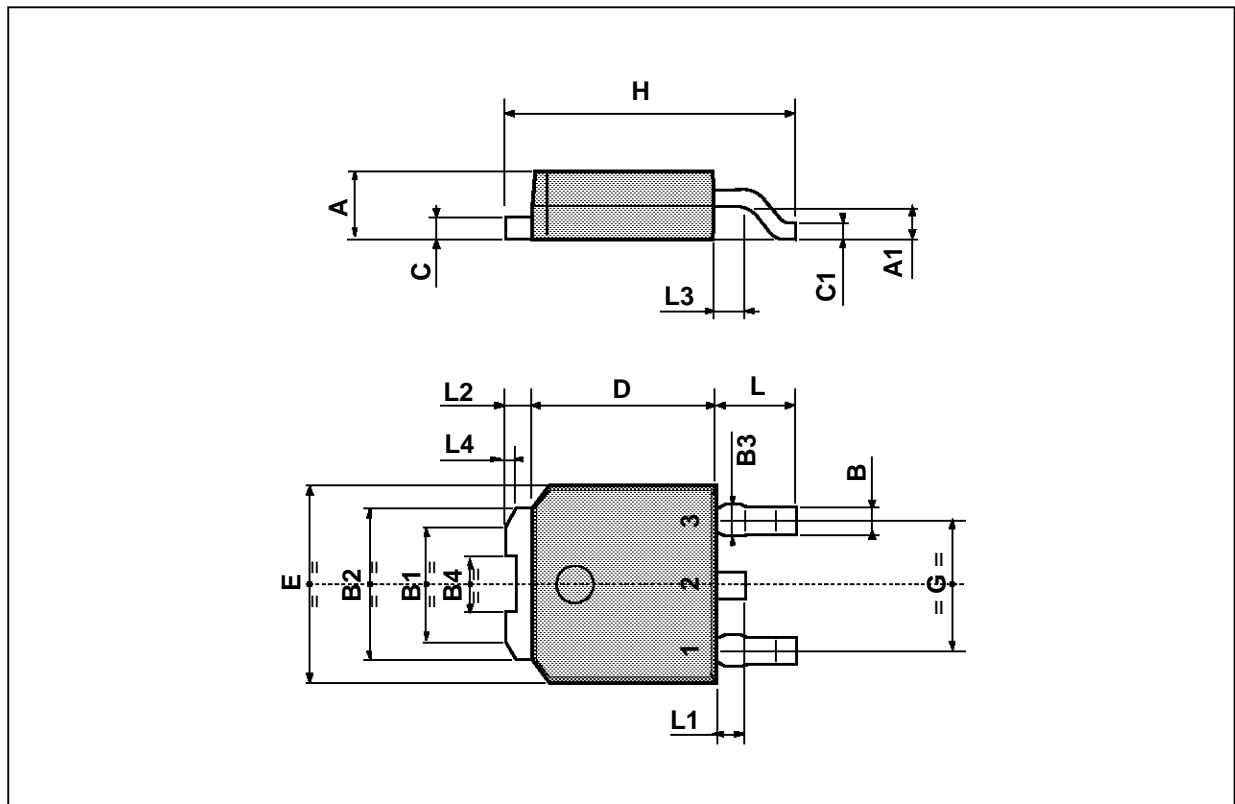
SOT-194 MECHANICAL DATA

DIM.	mm			inch		
	MIN.	TYP.	MAX.	MIN.	TYP.	MAX.
A	7.4		7.8	0.291		0.307
B	10.5		11.3	0.413		0.445
b	0.7		0.9	0.028		0.035
b1	0.49		0.75	0.019		0.030
C	2.4		2.7	0.094		0.106
c1		1.2			0.047	
c2		1.3			0.051	
D		6			0.236	
e		2.2			0.087	
e3		4.4			0.173	
F		3.8			0.150	
H			2.54			0.100
P	45° (typ.)					
S		4			0.157	
S1		2			0.079	
T		0.1			0.004	



TO-252 (DPAK) MECHANICAL DATA

DIM.	mm			inch		
	MIN.	TYP.	MAX.	MIN.	TYP.	MAX.
A	2.2		2.4	0.086		0.094
A1	0.9		1.1	0.035		0.043
B	0.64		0.8	0.025		0.031
B1	3.4		3.6	0.133		0.141
B2	5.2		5.4	0.204		0.212
B3			0.9			0.035
B4	1.9		2.1	0.074		0.082
C	0.48		0.6	0.018		0.023
C1	0.45		0.6	0.017		0.023
D	6		6.2	0.236		0.244
E	6.4		6.6	0.252		0.260
G	4.4		4.6	0.173		0.181
H	9.35		10.1	0.368		0.397
L	2.55		3.05	0.100		0.120
L1	0.6		1	0.023		0.039
L2		0.8			0.031	
L3	0.8		1.2	0.031		0.047
L4	0.3		0.45	0.012		0.017



Information furnished is believed to be accurate and reliable. However, SGS-THOMSON Microelectronics assumes no responsibility for the consequences of use of such information nor for any infringement of patents or other rights of third parties which may result from its use. No license is granted by implication or otherwise under any patent or patent rights of SGS-THOMSON Microelectronics. Specifications mentioned in this publication are subject to change without notice. This publication supersedes and replaces all information previously supplied. SGS-THOMSON Microelectronics products are not authorized for use as critical components in life support devices or systems without express written approval of SGS-THOMSON Microelectronics.

© 1994 SGS-THOMSON Microelectronics - All Rights Reserved

SGS-THOMSON Microelectronics GROUP OF COMPANIES

Australia - Brazil - France - Germany - Hong Kong - Italy - Japan - Korea - Malaysia - Malta - Morocco - The Netherlands -
Singapore - Spain - Sweden - Switzerland - Taiwan - Thailand - United Kingdom - U.S.A