

---

# HN58V65A Series

# HN58V66A Series

64 k EEPROM (8-kword × 8-bit)  
Ready/Busy function, RES function (HN58V66A)

# HITACHI

ADE-203-539B (Z)

Rev. 2.0

Nov. 1997

---

## Description

The Hitachi HN58V65A series and HN58V66A series are a electrically erasable and programmable EEPROM's organized as 8192-word × 8-bit. They have realized high speed, low power consumption and high reliability by employing advanced MNOS memory technology and CMOS process and circuitry technology. They also have a 64-byte page programming function to make their write operations faster.

## Features

- Single supply: 2.7 to 5.5 V
- Access time:
  - 100 ns (max) at  $2.7\text{ V} \leq V_{CC} < 4.5\text{ V}$
  - 70 ns (max) at  $4.5\text{ V} \leq V_{CC} \leq 5.5\text{ V}$
- Power dissipation:
  - Active: 20 mW/MHz (typ)
  - Standby: 110  $\mu$ W (max)
- On-chip latches: address, data,  $\overline{CE}$ ,  $\overline{OE}$ ,  $\overline{WE}$
- Automatic byte write: 10 ms (max)
- Automatic page write (64 bytes): 10 ms (max)
- Ready/ $\overline{Busy}$
- Data polling and Toggle bit
- Data protection circuit on power on/off
- Conforms to JEDEC byte-wide standard
- Reliable CMOS with MNOS cell technology

# HN58V65A Series, HN58V66A Series

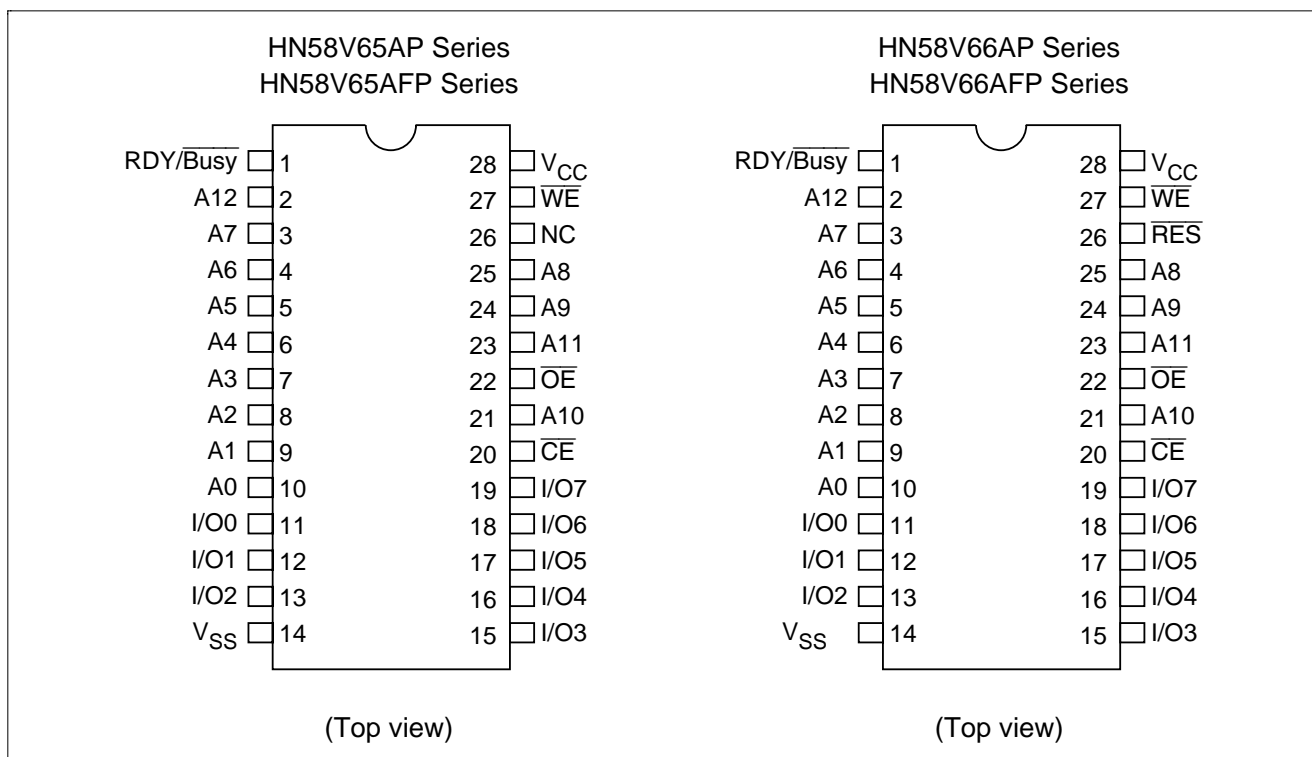
## Features (cont)

- $10^5$  erase/write cycles (in page mode)
- 10 years data retention
- Software data protection
- Write protection by  $\overline{\text{RES}}$  pin (only the HN58V66A series)
- Industrial versions (Temperatur range:  $-20$  to  $85^\circ\text{C}$  and  $-40$  to  $85^\circ\text{C}$ ) are also available.

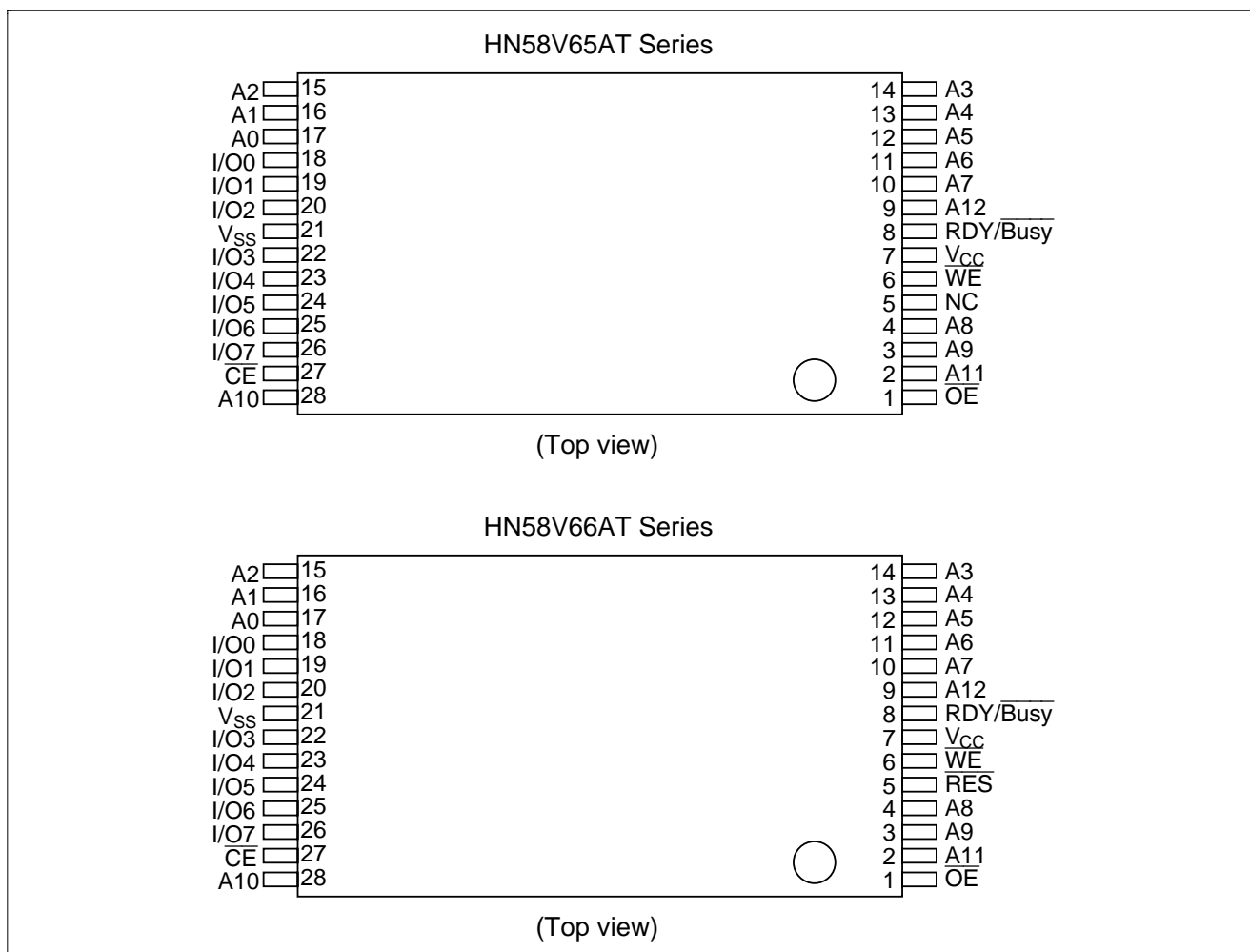
## Ordering Information

Type No.	Access time		Package
	$2.7\text{ V} \leq V_{\text{CC}} < 4.5\text{ V}$	$4.5\text{ V} \leq V_{\text{CC}} \leq 5.5\text{ V}$	
HN58V65AP-10	100 ns	70 ns	600 mil 28-pin plastic DIP (DP-28)
HN58V66AP-10	100 ns	70 ns	
HN58V65AFP-10	100 ns	70 ns	400 mil 28-pin plastic SOP (FP-28D)
HN58V66AFP-10	100 ns	70 ns	
HN58V65AT-10	100 ns	70 ns	28-pin plastic TSOP(TFP-28DB)
HN58V66AT-10	100 ns	70 ns	

## Pin Arrangement



## Pin Arrangement (cont)



# HN58V65A Series, HN58V66A Series

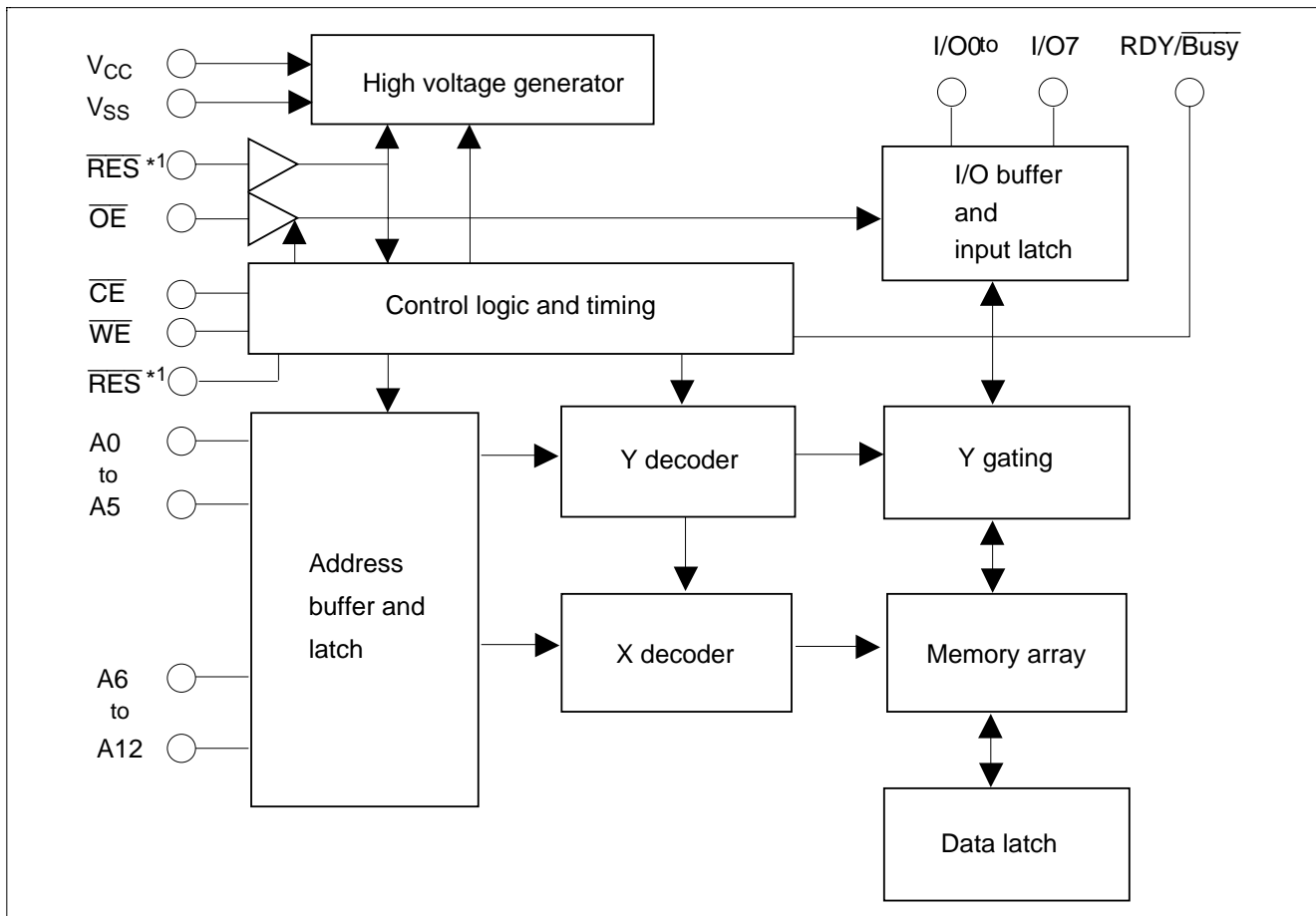
## Pin Description

Pin name	Function
A0 to A12	Address input
I/O0 to I/O7	Data input/output
$\overline{OE}$	Output enable
$\overline{CE}$	Chip enable
$\overline{WE}$	Write enable
$V_{CC}$	Power supply
$V_{SS}$	Ground
$\overline{RDY/Busy}$	Ready busy
$\overline{RES}^{*1}$	Reset
NC	No connection

Notes: 1. This function is supported by only the HN58V66A series.

## Block Diagram

Notes: This function is supported by only the HN58V66A series.



## Operation Table

Operation	$\overline{CE}$	$\overline{OE}$	$\overline{WE}$	$\overline{RES}^{*3}$	$\overline{RDY/Busy}$	I/O
Read	$V_{IL}$	$V_{IL}$	$V_{IH}$	$V_H^{*1}$	High-Z	Dout
Standby	$V_{IH}$	$\times^{*2}$	$\times$	$\times$	High-Z	High-Z
Write	$V_{IL}$	$V_{IH}$	$V_{IL}$	$V_H$	High-Z to $V_{OL}$	Din
Deselect	$V_{IL}$	$V_{IH}$	$V_{IH}$	$V_H$	High-Z	High-Z
Write Inhibit	$\times$	$\times$	$V_{IH}$	$\times$	—	—
	$\times$	$V_{IL}$	$\times$	$\times$	—	—
Data Polling	$V_{IL}$	$V_{IL}$	$V_{IH}$	$V_H$	$V_{OL}$	Dout (I/O7)
Program reset	$\times$	$\times$	$\times$	$V_{IL}$	High-Z	High-Z

- Notes:
1. Refer to the recommended DC operating conditions.
  2.  $\times$  : Don't care
  3. This function supported by only the HN58V66A series.

## Absolute Maximum Ratings

Parameter	Symbol	Value	Unit
Power supply voltage relative to $V_{SS}$	$V_{CC}$	-0.6 to +7.0	V
Input voltage relative to $V_{SS}$	$V_{in}$	-0.5 <sup>*1</sup> to +7.0 <sup>*3</sup>	V
Operating temperature range <sup>*2</sup>	$T_{opr}$	0 to +70	°C
Storage temperature range	$T_{stg}$	-55 to +125	°C

- Notes:
1.  $V_{in}$  min : -3.0 V for pulse width  $\leq$  50 ns.
  2. Including electrical characteristics and data retention.
  3. Should not exceed  $V_{CC} + 1$  V.

# HN58V65A Series, HN58V66A Series

## Recommended DC Operating Conditions

Parameter	Symbol	Min	Typ	Max	Unit
Supply voltage	$V_{CC}$	2.7	—	5.5	V
	$V_{SS}$	0	0	0	V
Input voltage	$V_{IL}$	$-0.3^{*1}$	—	$0.6^{*5}$	V
	$V_{IH}$	$1.9^{*2}$	—	$V_{CC} + 0.3^{*3}$	V
	$V_H^{*4}$	$V_{CC} - 0.5$	—	$V_{CC} + 1.0$	V
Operating temperature	$T_{opr}$	0	—	70	°C

- Notes:
- $V_{IL}$  min:  $-1.0$  V for pulse width  $\leq 50$  ns.
  - $V_{IH} = 2.2$  V for  $V_{CC} = 3.6$  to  $5.5$  V.
  - $V_{IH}$  max:  $V_{CC} + 1.0$  V for pulse width  $\leq 50$  ns.
  - This function is supported by only the HN58V66A series.
  - $V_{IL} = 0.8$  V for  $V_{CC} = 3.6$  V to  $5.5$  V

## DC Characteristics ( $T_a = 0$ to $+70^\circ\text{C}$ , $V_{CC} = 2.7$ to $5.5$ V)

Parameter	Symbol	Min	Typ	Max	Unit	Test conditions
Input leakage current	$I_{LI}$	—	—	$2^{*1}$	$\mu\text{A}$	$V_{in} = 0$ V to $V_{CC}$
Output leakage current	$I_{LO}$	—	—	2	$\mu\text{A}$	$V_{out} = 0$ V to $V_{CC}$
Standby $V_{CC}$ curren	$I_{CC1}$	—	1 to 2	5	$\mu\text{A}$	$\overline{CE} = V_{CC} - 0.3$ V to $V_{CC} + 1.0$ V
	$I_{CC2}$	—	—	1	$\text{mA}$	$\overline{CE} = V_{IH}$
Operating $V_{CC}$ current	$I_{CC3}$	—	—	6	$\text{mA}$	$I_{out} = 0$ mA, Duty = 100%, Cycle = 1 $\mu\text{s}$ at $V_{CC} = 3.6$ V
		—	—	8	$\text{mA}$	$I_{out} = 0$ mA, Duty = 100%, Cycle = 1 $\mu\text{s}$ at $V_{CC} = 5.5$ V
		—	—	12	$\text{mA}$	$I_{out} = 0$ mA, Duty = 100%, Cycle = 100 ns at $V_{CC} = 3.6$ V
		—	—	25	$\text{mA}$	$I_{out} = 0$ mA, Duty = 100%, Cycle = 70 ns at $V_{CC} = 5.5$ V
Output low voltage	$V_{OL}$	—	—	0.4	V	$I_{OL} = 2.1$ mA
Output high voltage	$V_{OH}$	$V_{CC} \times 0.8$	—	—	V	$I_{OH} = -400$ $\mu\text{A}$

Note: 1.  $I_{LI}$  on  $\overline{RES}$  : 100  $\mu\text{A}$  max (only the HN58V66A series)

## Capacitance ( $T_a = 25^\circ\text{C}$ , $f = 1$ MHz)

Parameter	Symbol	Min	Typ	Max	Unit	Test conditions
Input capacitance	$C_{in}^{*1}$	—	—	6	pF	$V_{in} = 0$ V
Output capacitance	$C_{out}^{*1}$	—	—	12	pF	$V_{out} = 0$ V

Note: 1. This parameter is sampled and not 100% tested.

## AC Characteristics (Ta = 0 to + 70°C, V<sub>CC</sub> = 2.7 to 5.5 V)

### Test Conditions

- Input pulse levels : 0.4 V to 2.4 V (V<sub>CC</sub> = 2.7 to 3.6 V), 0.4 V to 3.0 V (V<sub>CC</sub> = 3.6 to 5.5 V)  
0 V to V<sub>CC</sub> ( $\overline{\text{RES}}$  pin\*2)
- Input rise and fall time : ≤ 5 ns
- Input timing reference levels : 0.8, 1.8 V
- Output load : 1TTL Gate +100 pF
- Output reference levels : 1.5 V, 1.5 V

### Read Cycle 1 (V<sub>CC</sub> = 2.7 to 4.5 V)

HN58V65A/HN58V66A					
-10					
Parameter	Symbol	Min	Max	Unit	Test conditions
Address to output delay	t <sub>ACC</sub>	—	100	ns	$\overline{\text{CE}} = \overline{\text{OE}} = V_{\text{IL}}, \overline{\text{WE}} = V_{\text{IH}}$
$\overline{\text{CE}}$ to output delay	t <sub>CE</sub>	—	100	ns	$\overline{\text{OE}} = V_{\text{IL}}, \overline{\text{WE}} = V_{\text{IH}}$
$\overline{\text{OE}}$ to output delay	t <sub>OE</sub>	10	50	ns	$\overline{\text{CE}} = V_{\text{IL}}, \overline{\text{WE}} = V_{\text{IH}}$
Address to output hold	t <sub>OH</sub>	0	—	ns	$\overline{\text{CE}} = \overline{\text{OE}} = V_{\text{IL}}, \overline{\text{WE}} = V_{\text{IH}}$
$\overline{\text{OE}}$ ( $\overline{\text{CE}}$ ) high to output float*1	t <sub>DF</sub>	0	40	ns	$\overline{\text{CE}} = V_{\text{IL}}, \overline{\text{WE}} = V_{\text{IH}}$
$\overline{\text{RES}}$ low to output float*1,2	t <sub>DFR</sub>	0	350	ns	$\overline{\text{CE}} = \overline{\text{OE}} = V_{\text{IL}}, \overline{\text{WE}} = V_{\text{IH}}$
$\overline{\text{RES}}$ to output delay*2	t <sub>RR</sub>	0	450	ns	$\overline{\text{CE}} = \overline{\text{OE}} = V_{\text{IL}}, \overline{\text{WE}} = V_{\text{IH}}$

# HN58V65A Series, HN58V66A Series

## Write Cycle 1 ( $V_{CC} = 2.7$ to $4.5$ V)

Parameter	Symbol	Min <sup>*3</sup>	Typ	Max	Unit	Test conditions
Address setup time	$t_{AS}$	0	—	—	ns	
Address hold time	$t_{AH}$	50	—	—	ns	
$\overline{CE}$ to write setup time ( $\overline{WE}$ controlled)	$t_{CS}$	0	—	—	ns	
$\overline{CE}$ hold time ( $\overline{WE}$ controlled)	$t_{CH}$	0	—	—	ns	
$\overline{WE}$ to write setup time ( $\overline{CE}$ controlled)	$t_{WS}$	0	—	—	ns	
$\overline{WE}$ hold time ( $\overline{CE}$ controlled)	$t_{WH}$	0	—	—	ns	
$\overline{OE}$ to write setup time	$t_{OES}$	0	—	—	ns	
$\overline{OE}$ hold time	$t_{OEH}$	0	—	—	ns	
Data setup time	$t_{DS}$	50	—	—	ns	
Data hold time	$t_{DH}$	0	—	—	ns	
$\overline{WE}$ pulse width ( $\overline{WE}$ controlled)	$t_{WP}$	200	—	—	ns	
$\overline{CE}$ pulse width ( $\overline{CE}$ controlled)	$t_{CW}$	200	—	—	ns	
Data latch time	$t_{DL}$	100	—	—	ns	
Byte load cycle	$t_{BLC}$	0.3	—	30	$\mu$ s	
Byte load window	$t_{BL}$	100	—	—	$\mu$ s	
Write cycle time	$t_{WC}$	—	—	$10^{*4}$	ms	
Time to device busy	$t_{DB}$	120	—	—	ns	
Write start time	$t_{DW}$	$0^{*5}$	—	—	ns	
Reset protect time <sup>*2</sup>	$t_{RP}$	100	—	—	$\mu$ s	
Reset high time <sup>*2, 6</sup>	$t_{RES}$	1	—	—	$\mu$ s	

- Notes:
- $t_{DF}$  and  $t_{DFR}$  are defined as the time at which the outputs achieve the open circuit conditions and are no longer driven.
  - This function is supported by only the HN58V66A series.
  - Use this device in longer cycle than this value.
  - $t_{WC}$  must be longer than this value unless polling techniques or  $\overline{RDY}/\overline{Busy}$  are used. This device automatically completes the internal write operation within this value.
  - Next read or write operation can be initiated after  $t_{DW}$  if polling techniques or  $\overline{RDY}/\overline{Busy}$  are used.
  - This parameter is sampled and not 100% tested.
  - A6 through A12 are page addresses and these addresses are latched at the first falling edge of  $\overline{WE}$ .
  - A6 through A12 are page addresses and these addresses are latched at the first falling edge of  $\overline{CE}$ .
  - See AC read characteristics.



## HN58V65A Series, HN58V66A Series

**Read Cycle 2** ( $V_{CC} = 4.5$  to  $5.5$  V)

		HN58V65A/HN58V66A			
		-10			
Parameter	Symbol	Min	Max	Unit	Test conditions
Address to output delay	$t_{ACC}$	—	70	ns	$\overline{CE} = \overline{OE} = V_{IL}, \overline{WE} = V_{IH}$
$\overline{CE}$ to output delay	$t_{CE}$	—	70	ns	$\overline{OE} = V_{IL}, \overline{WE} = V_{IH}$
$\overline{OE}$ to output delay	$t_{OE}$	10	40	ns	$\overline{CE} = V_{IL}, \overline{WE} = V_{IH}$
Address to output hold	$t_{OH}$	0	—	ns	$\overline{CE} = \overline{OE} = V_{IL}, \overline{WE} = V_{IH}$
$\overline{OE}$ ( $\overline{CE}$ ) high to output float* <sup>1</sup>	$t_{DF}$	0	30	ns	$\overline{CE} = V_{IL}, \overline{WE} = V_{IH}$
$\overline{RES}$ low to output float* <sup>1,2</sup>	$t_{DFR}$	0	350	ns	$\overline{CE} = \overline{OE} = V_{IL}, \overline{WE} = V_{IH}$
$\overline{RES}$ to output delay* <sup>2</sup>	$t_{RR}$	0	450	ns	$\overline{CE} = \overline{OE} = V_{IL}, \overline{WE} = V_{IH}$

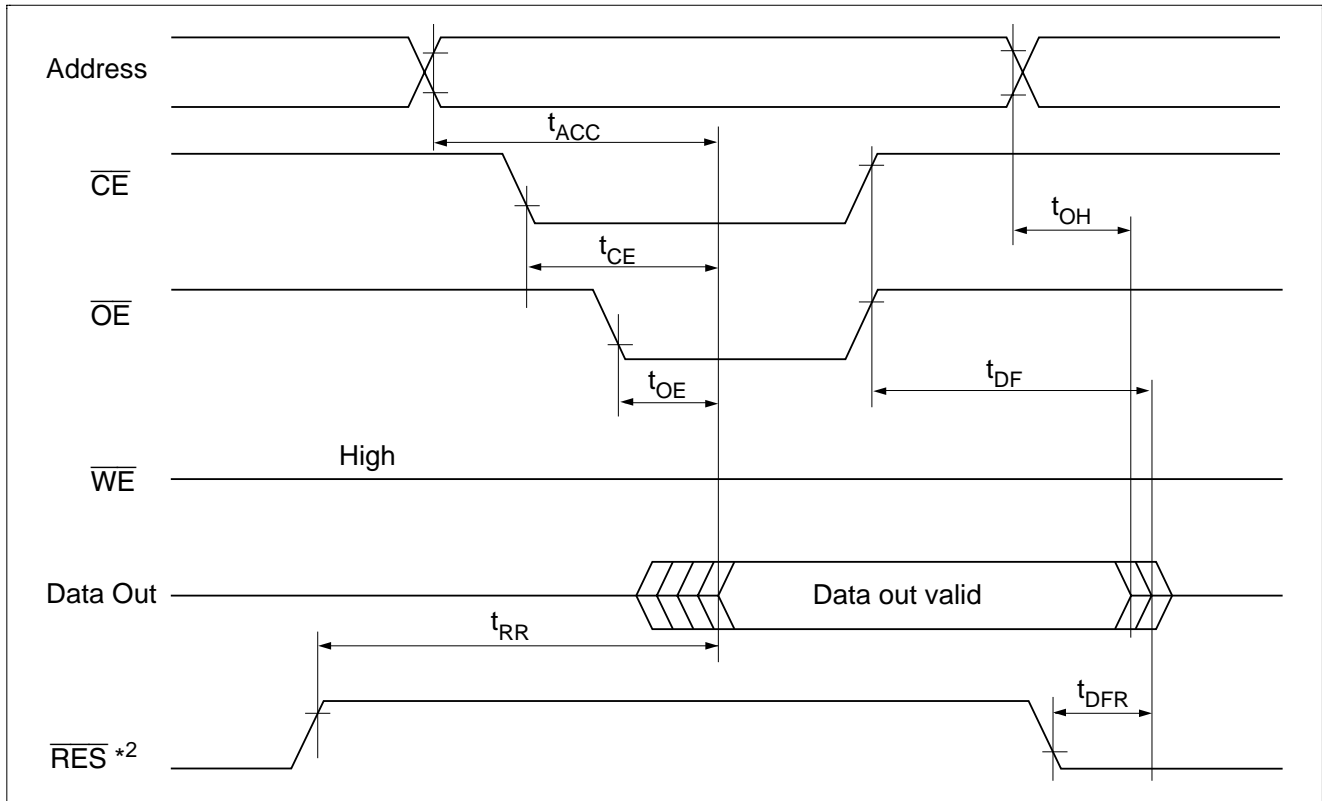
# HN58V65A Series, HN58V66A Series

## Write Cycle 2 ( $V_{CC} = 4.5$ to $5.5$ V)

Parameter	Symbol	Min <sup>*3</sup>	Typ	Max	Unit	Test conditions
Address setup time	$t_{AS}$	0	—	—	ns	
Address hold time	$t_{AH}$	50	—	—	ns	
$\overline{CE}$ to write setup time ( $\overline{WE}$ controlled)	$t_{CS}$	0	—	—	ns	
$\overline{CE}$ hold time ( $\overline{WE}$ controlled)	$t_{CH}$	0	—	—	ns	
$\overline{WE}$ to write setup time ( $\overline{CE}$ controlled)	$t_{WS}$	0	—	—	ns	
$\overline{WE}$ hold time ( $\overline{CE}$ controlled)	$t_{WH}$	0	—	—	ns	
$\overline{OE}$ to write setup time	$t_{OES}$	0	—	—	ns	
$\overline{OE}$ hold time	$t_{OEH}$	0	—	—	ns	
Data setup time	$t_{DS}$	50	—	—	ns	
Data hold time	$t_{DH}$	0	—	—	ns	
$\overline{WE}$ pulse width ( $\overline{WE}$ controlled)	$t_{WP}$	100	—	—	ns	
$\overline{CE}$ pulse width ( $\overline{CE}$ controlled)	$t_{CW}$	100	—	—	ns	
Data latch time	$t_{DL}$	50	—	—	ns	
Byte load cycle	$t_{BLC}$	0.2	—	30	$\mu$ s	
Byte load window	$t_{BL}$	100	—	—	$\mu$ s	
Write cycle time	$t_{WC}$	—	—	$10^{*4}$	ms	
Time to device busy	$t_{DB}$	120	—	—	ns	
Write start time	$t_{DW}$	$0^{*5}$	—	—	ns	
Reset protect time <sup>*2</sup>	$t_{RP}$	100	—	—	$\mu$ s	
Reset high time <sup>*2, 6</sup>	$t_{RES}$	1	—	—	$\mu$ s	

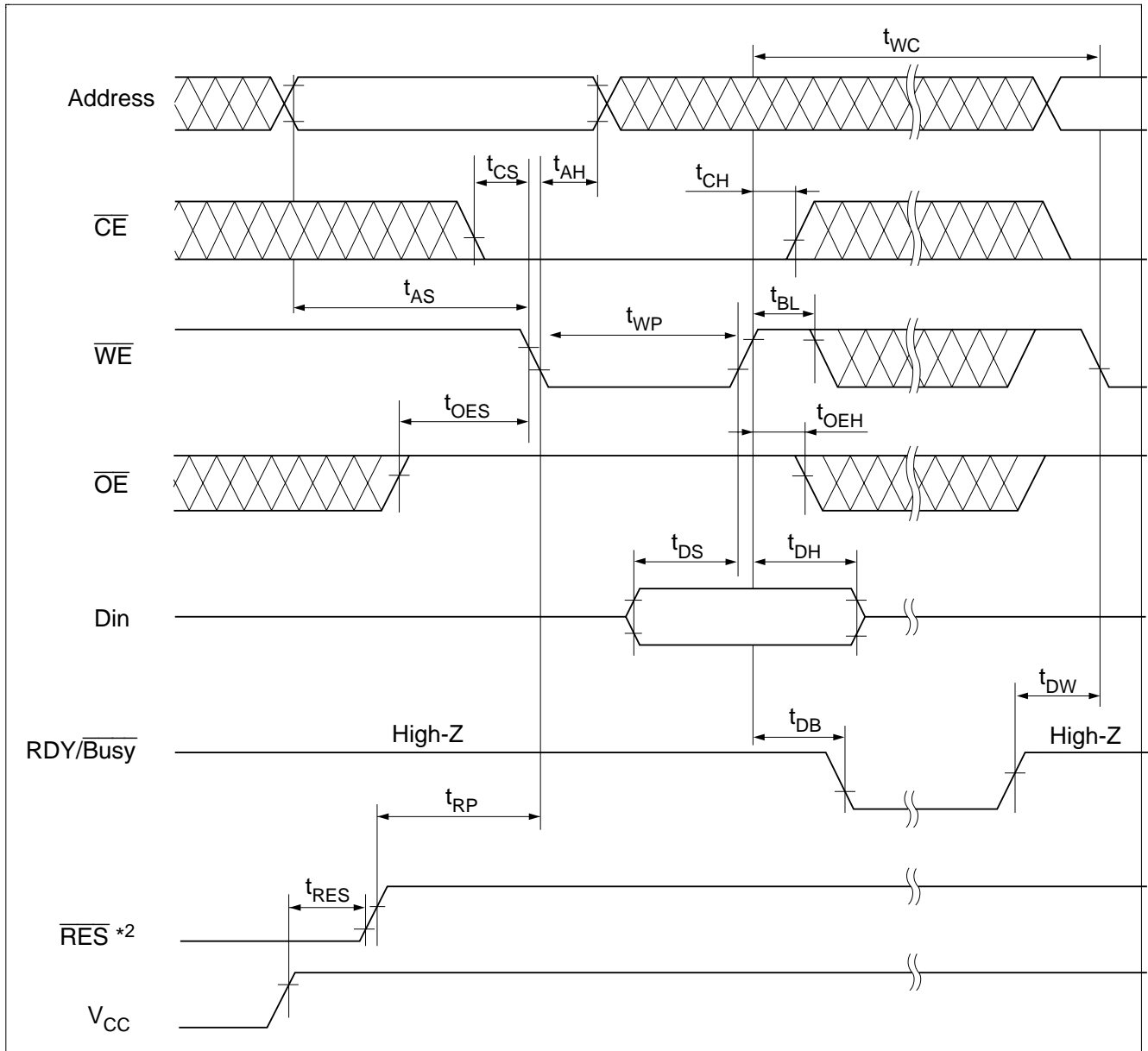
- Notes:
- $t_{DF}$  and  $t_{DFR}$  are defined as the time at which the outputs achieve the open circuit conditions and are no longer driven.
  - This function is supported by only the HN58V66A series.
  - Use this device in longer cycle than this value.
  - $t_{WC}$  must be longer than this value unless polling techniques or  $\overline{RDY}/\overline{Busy}$  are used. This device automatically completes the internal write operation within this value.
  - Next read or write operation can be initiated after  $t_{DW}$  if polling techniques or  $\overline{RDY}/\overline{Busy}$  are used.
  - This parameter is sampled and not 100% tested.
  - A6 through A12 are page addresses and these addresses are latched at the first falling edge of  $\overline{WE}$ .
  - A6 through A12 are page addresses and these addresses are latched at the first falling edge of  $\overline{CE}$ .
  - See AC read characteristics.

## Read Timing Waveform

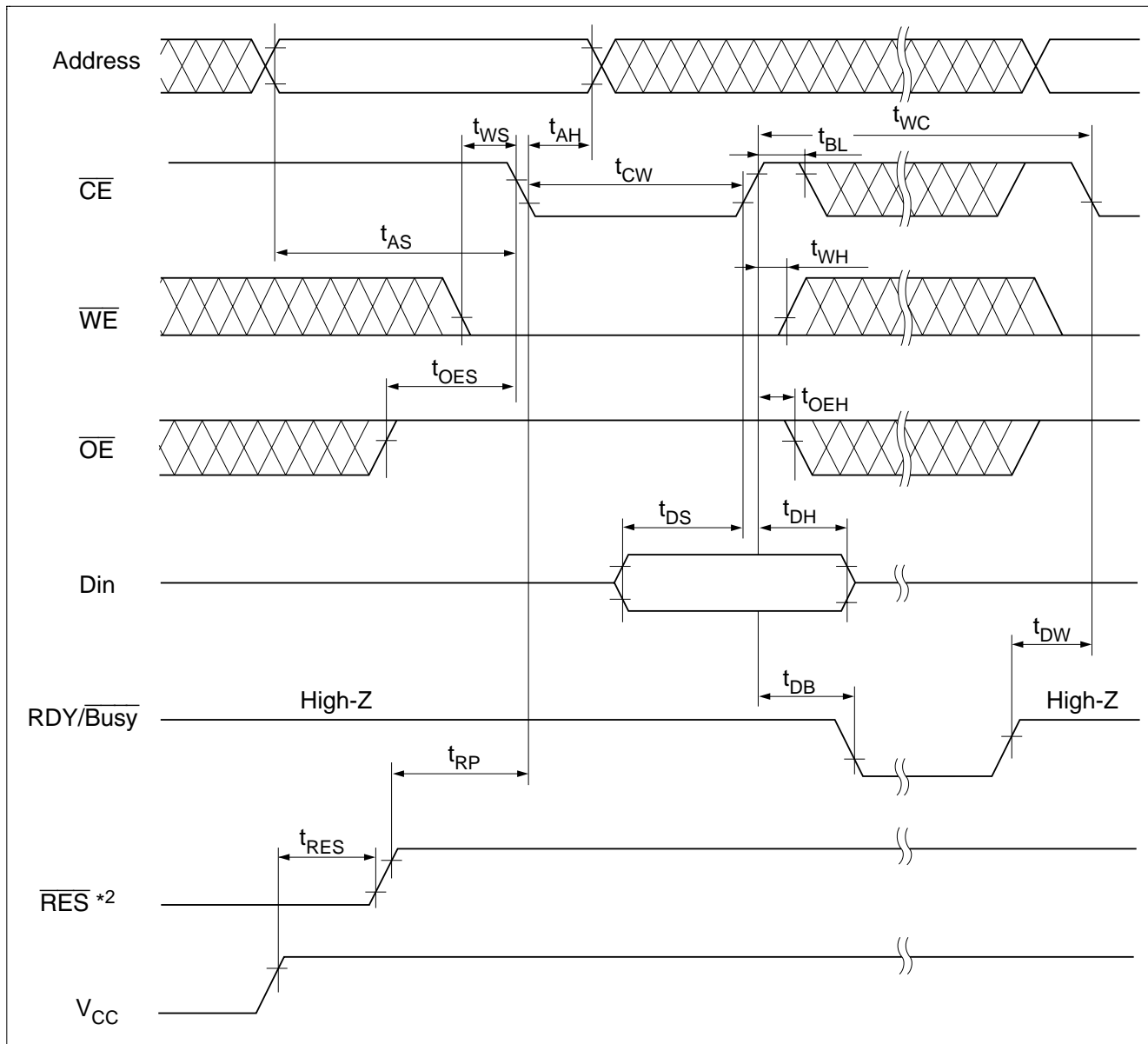


# HN58V65A Series, HN58V66A Series

## Byte Write Timing Waveform(1) ( $\overline{\text{WE}}$ Controlled)

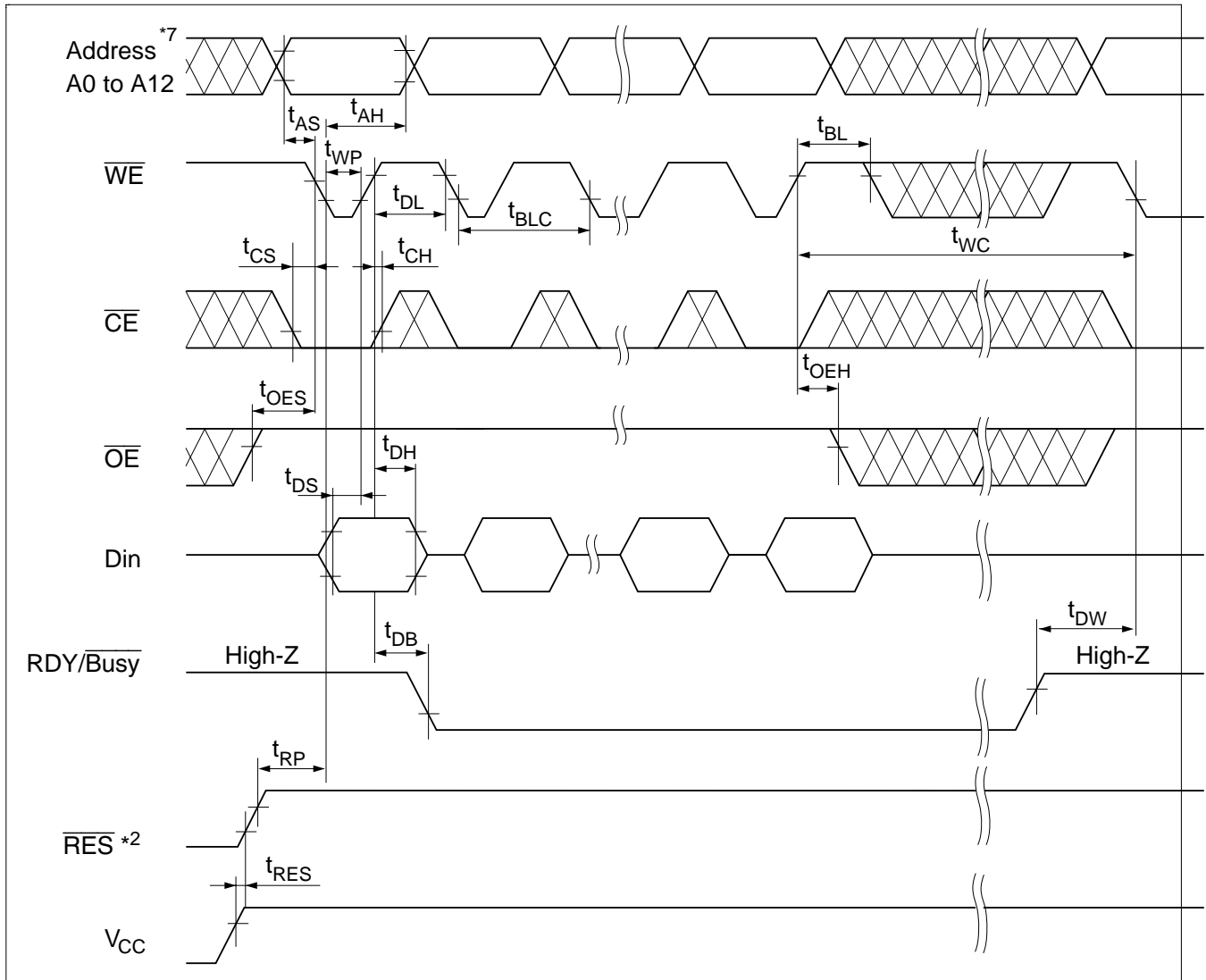


## Byte Write Timing Waveform(2) ( $\overline{CE}$ Controlled)

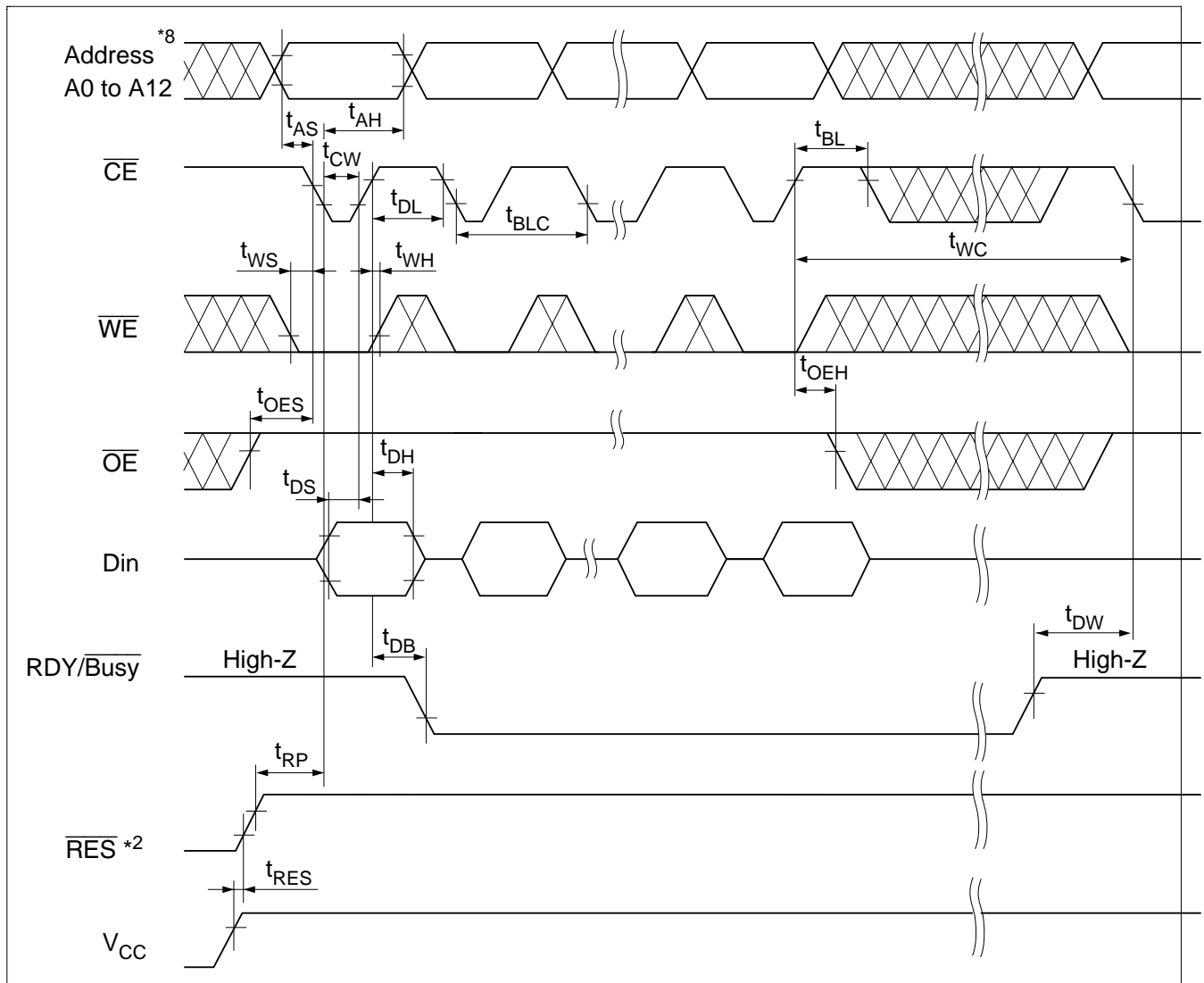


# HN58V65A Series, HN58V66A Series

## Page Write Timing Waveform(1) ( $\overline{\text{WE}}$ Controlled)

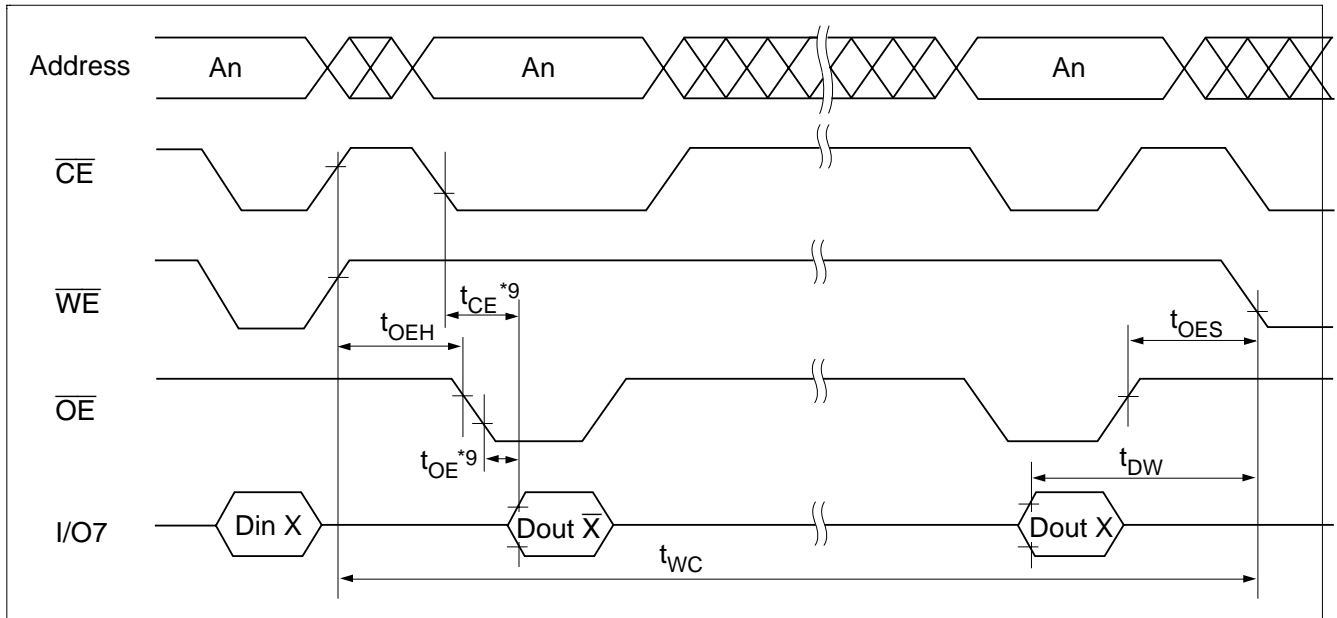


## Page Write Timing Waveform(2) ( $\overline{CE}$ Controlled)



# HN58V65A Series, HN58V66A Series

## Data Polling Timing Waveform

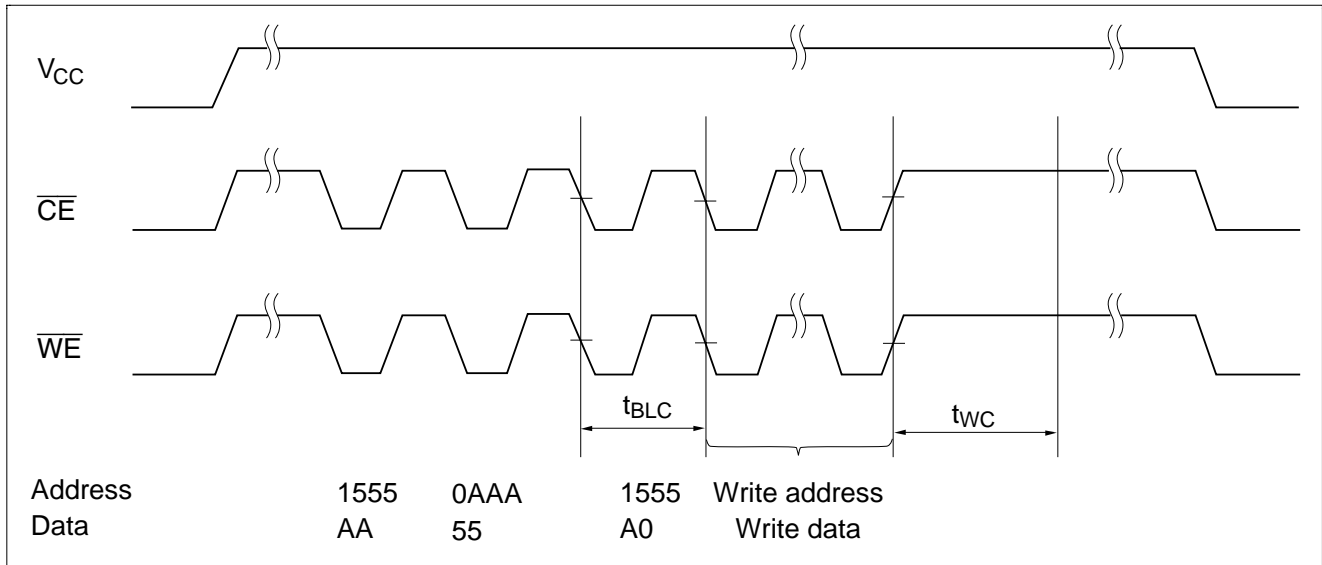




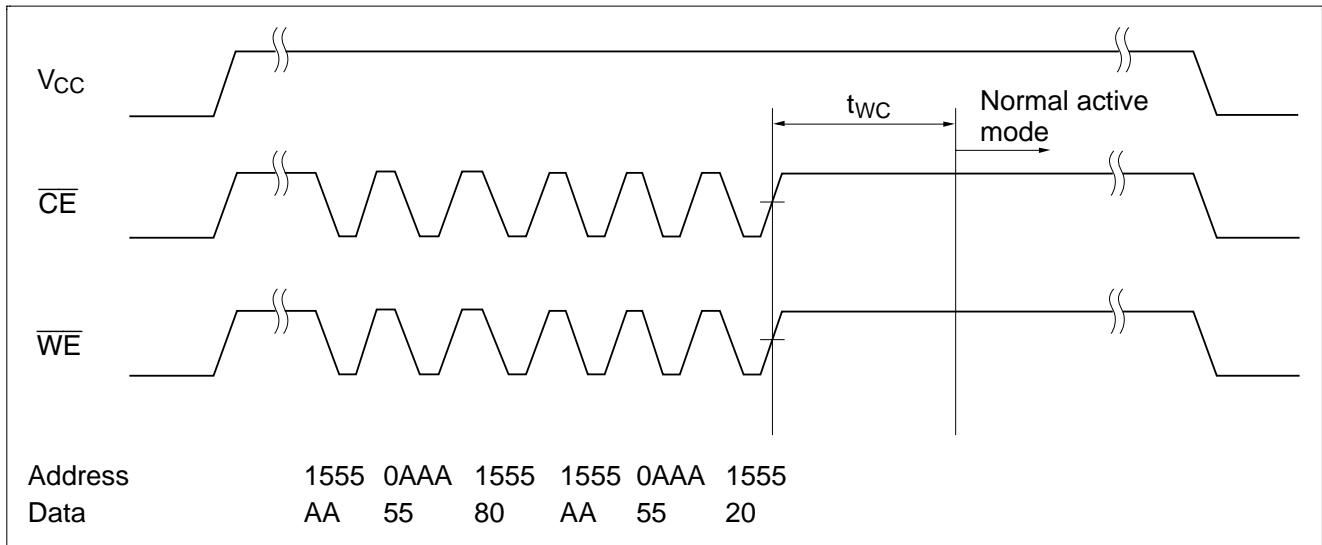


# HN58V65A Series, HN58V66A Series

**Software Data Protection Timing Waveform(1) (in protection mode)**



**Software Data Protection Timing Waveform(2) (in non-protection mode)**



## Functional Description

### Automatic Page Write

Page-mode write feature allows 1 to 64 bytes of data to be written into the EEPROM in a single write cycle. Following the initial byte cycle, an additional 1 to 63 bytes can be written in the same manner. Each additional byte load cycle must be started within 30  $\mu$ s from the preceding falling edge of  $\overline{WE}$  or  $\overline{CE}$ . When  $\overline{CE}$  or  $\overline{WE}$  is kept high for 100  $\mu$ s after data input, the EEPROM enters write mode automatically and the input data are written into the EEPROM.

### Data Polling

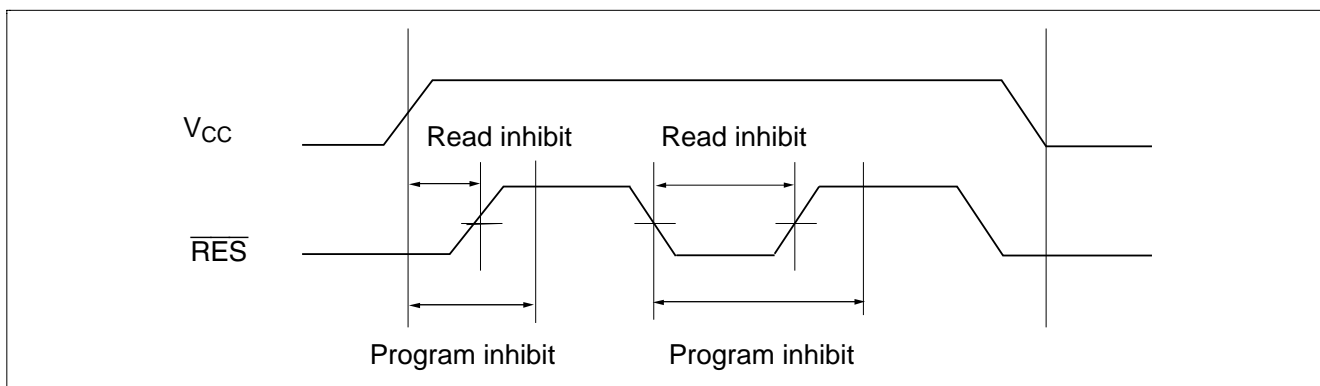
Data polling indicates the status that the EEPROM is in a write cycle or not. If EEPROM is set to read mode during a write cycle, an inversion of the last byte of data outputs from I/O7 to indicate that the EEPROM is performing a write operation.

### RDY/Busy Signal

RDY/Busy signal also allows status of the EEPROM to be determined. The RDY/Busy signal has high impedance except in write cycle and is lowered to  $V_{OL}$  after the first write signal. At the end of a write cycle, the RDY/Busy signal changes state to high impedance.

### $\overline{RES}$ Signal (only the HN58V66A series)

When  $\overline{RES}$  is low, the EEPROM cannot be read or programmed. Therefore, data can be protected by keeping  $\overline{RES}$  low when  $V_{CC}$  is switched.  $\overline{RES}$  should be high during read and programming because it doesn't provide a latch function.



## $\overline{\text{WE}}$ , $\overline{\text{CE}}$ Pin Operation

During a write cycle, addresses are latched by the falling edge of  $\overline{\text{WE}}$  or  $\overline{\text{CE}}$ , and data is latched by the rising edge of  $\overline{\text{WE}}$  or  $\overline{\text{CE}}$ .

## Write/Erase Endurance and Data Retention Time

The endurance is  $10^5$  cycles in case of the page programming and  $10^4$  cycles in case of the byte programming (1% cumulative failure rate). The data retention time is more than 10 years when a device is page-programmed less than  $10^4$  cycles.

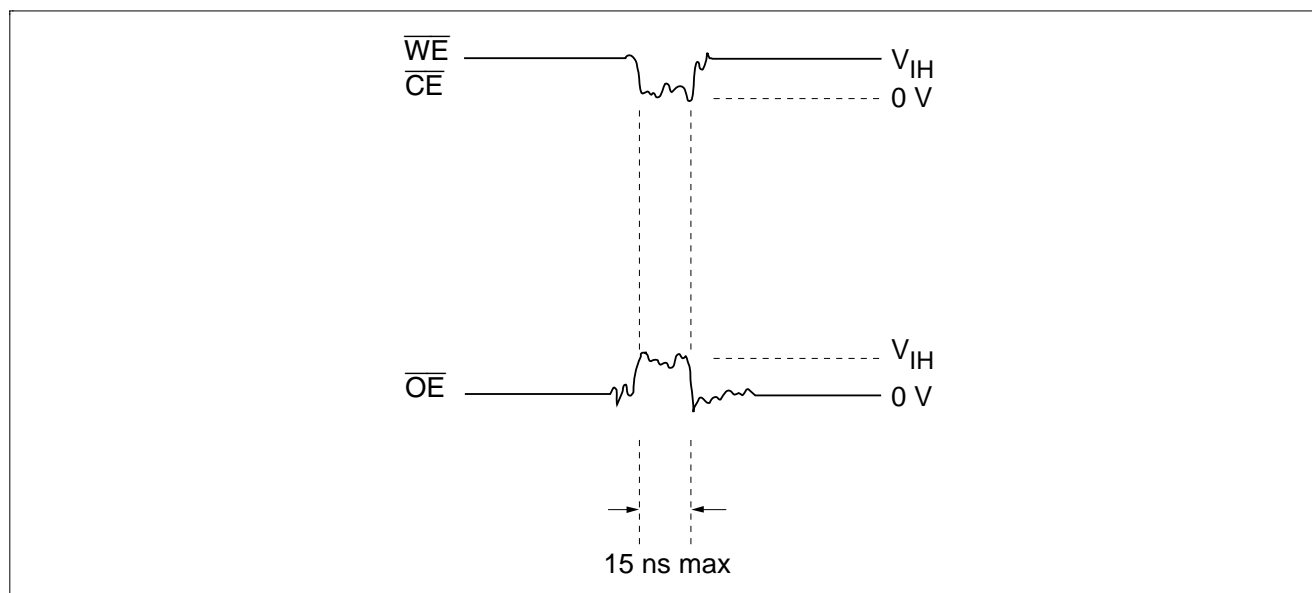
## Data Protection

### 1. Data Protection against Noise on Control Pins ( $\overline{\text{CE}}$ , $\overline{\text{OE}}$ , $\overline{\text{WE}}$ ) during Operation

During readout or standby, noise on the control pins may act as a trigger and turn the EEPROM to programming mode by mistake.

To prevent this phenomenon, this device has a noise cancellation function that cuts noise if its width is 15 ns or less.

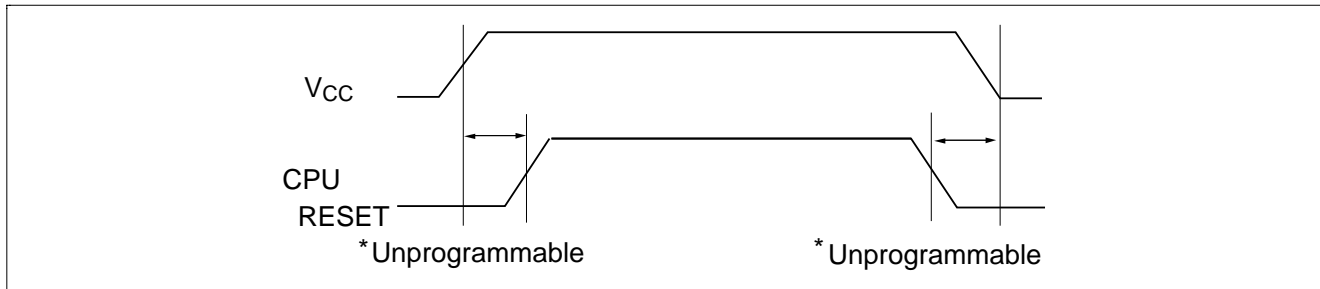
Be careful not to allow noise of a width of more than 15 ns on the control pins.



## 2. Data protection at $V_{CC}$ on/off

When  $V_{CC}$  is turned on or off, noise on the control pins generated by external circuits (CPU, etc) may act as a trigger and turn the EEPROM to program mode by mistake. To prevent this unintentional programming, the EEPROM must be kept in an unprogrammable state while the CPU is in an unstable state.

Note: The EEPROM should be kept in unprogrammable state during  $V_{CC}$  on/off by using CPU RESET signal.



### (1) Protection by $\overline{CE}$ , $\overline{OE}$ , $\overline{WE}$

To realize the unprogrammable state, the input level of control pins must be held as shown in the table below.

$\overline{CE}$	$V_{CC}$	×	×
$\overline{OE}$	×	$V_{SS}$	×
$\overline{WE}$	×	×	$V_{CC}$

×: Don't care.

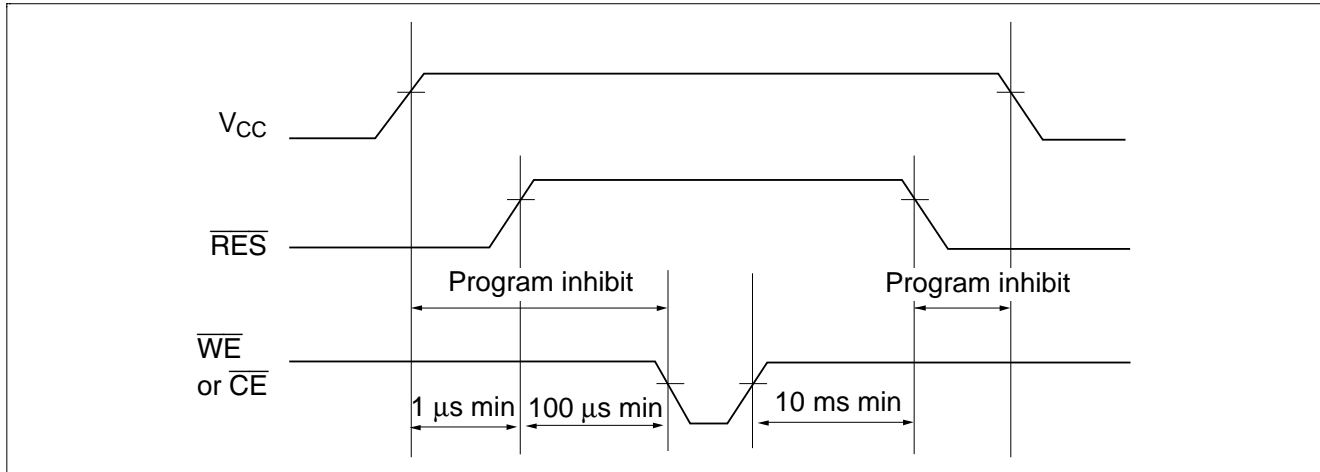
$V_{CC}$ : Pull-up to  $V_{CC}$  level.

$V_{SS}$ : Pull-down to  $V_{SS}$  level.

## HN58V65A Series, HN58V66A Series

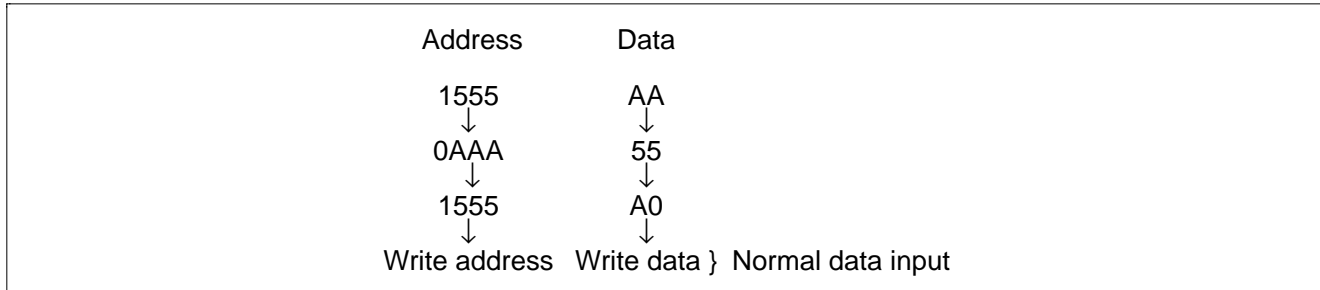
(2) Protection by  $\overline{\text{RES}}$  (only the HN58V66A series)

The unprogrammable state can be realized by that the CPU's reset signal inputs directly to the EEPROM's  $\overline{\text{RES}}$  pin.  $\overline{\text{RES}}$  should be kept  $V_{\text{SS}}$  level during  $V_{\text{CC}}$  on/off. The EEPROM breaks off programming operation when  $\overline{\text{RES}}$  becomes low, programming operation doesn't finish correctly in case that  $\overline{\text{RES}}$  falls low during programming operation.  $\overline{\text{RES}}$  should be kept high for 10 ms after the last data input.

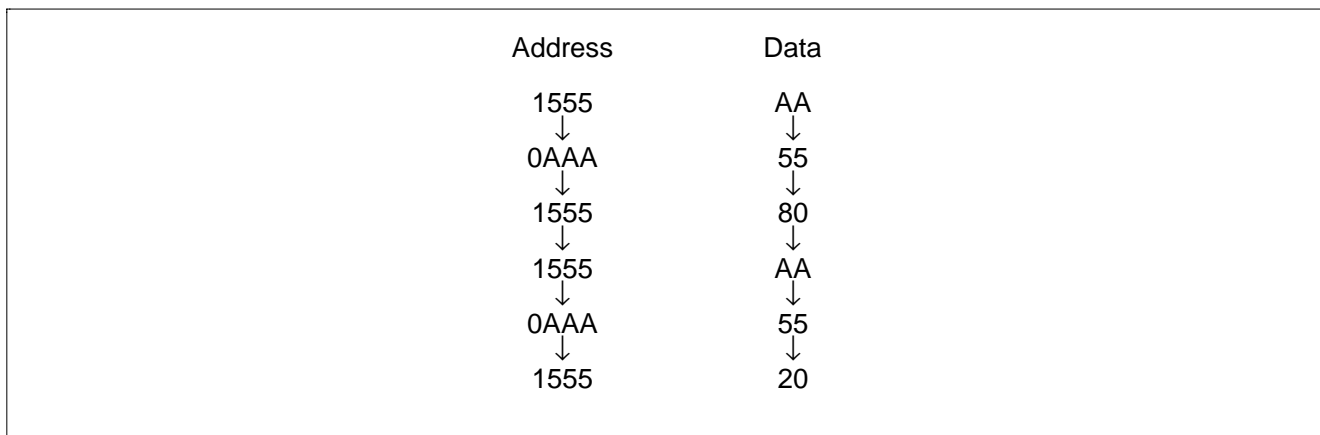


## 3. Software data protection

To prevent unintentional programming caused by noise generated by external circuits, this device has the software data protection function. In software data protection mode, 3 bytes of data must be input before write data as follows. And these bytes can switch the non-protection mode to the protection mode. SDP is enabled if only the 3 bytes code is input.



Software data protection mode can be cancelled by inputting the following 6 bytes. After that, this device turns to the non-protection mode and can write data normally. But when the data is input in the cancelling cycle, the data cannot be written.



The software data protection is not enabled at the shipment.

Note: There are some differences between Hitachi's and other company's for enable/disable sequence of software data protection. If there are any questions, please contact with Hitachi sales offices.

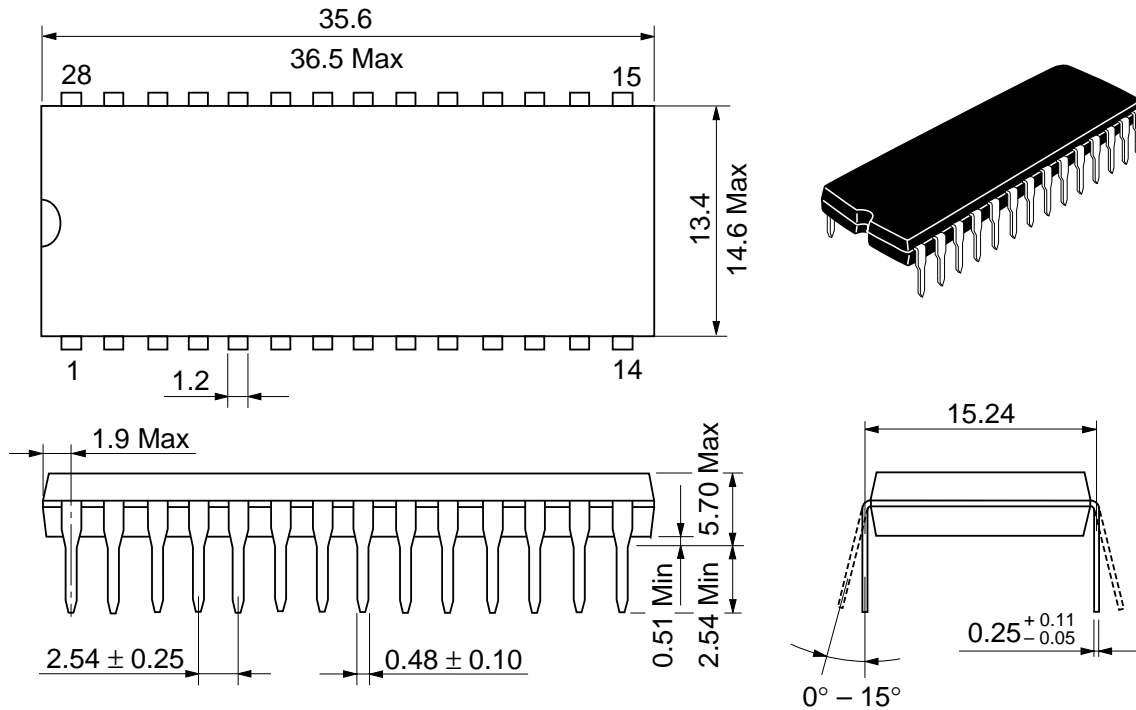
# HN58V65A Series, HN58V66A Series

## Package Dimensions

HN58V65AP Series

HN58V66AP Series (DP-28)

Unit: mm



Hitachi Code	DP-28
JEDEC Code	—
EIAJ Code	SC-510-28E
Weight (reference value)	4.6 g

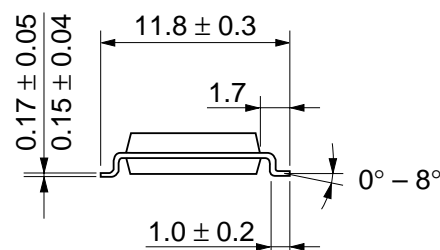
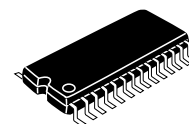
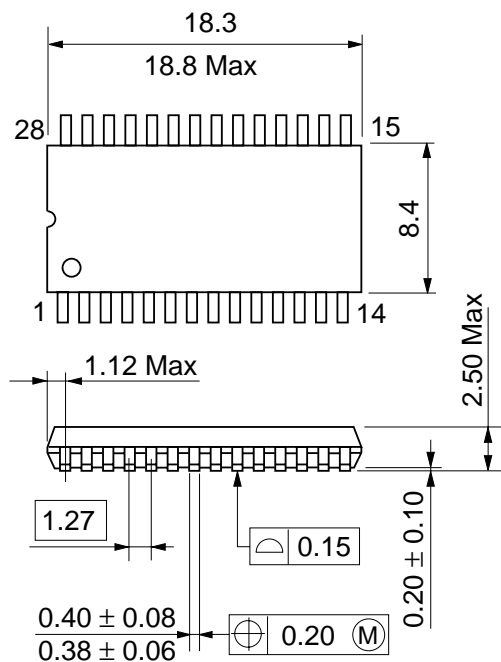


## Package Dimensions (cont)

**HN58V65AFP Series**

**HN58V66AFP Series (FP-28D)**

Unit: mm



Dimension including the plating thickness  
Base material dimension

Hitachi Code	FP-28D
JEDEC Code	MO-059-AC
EIAJ Code	—
Weight (reference value)	0.7 g

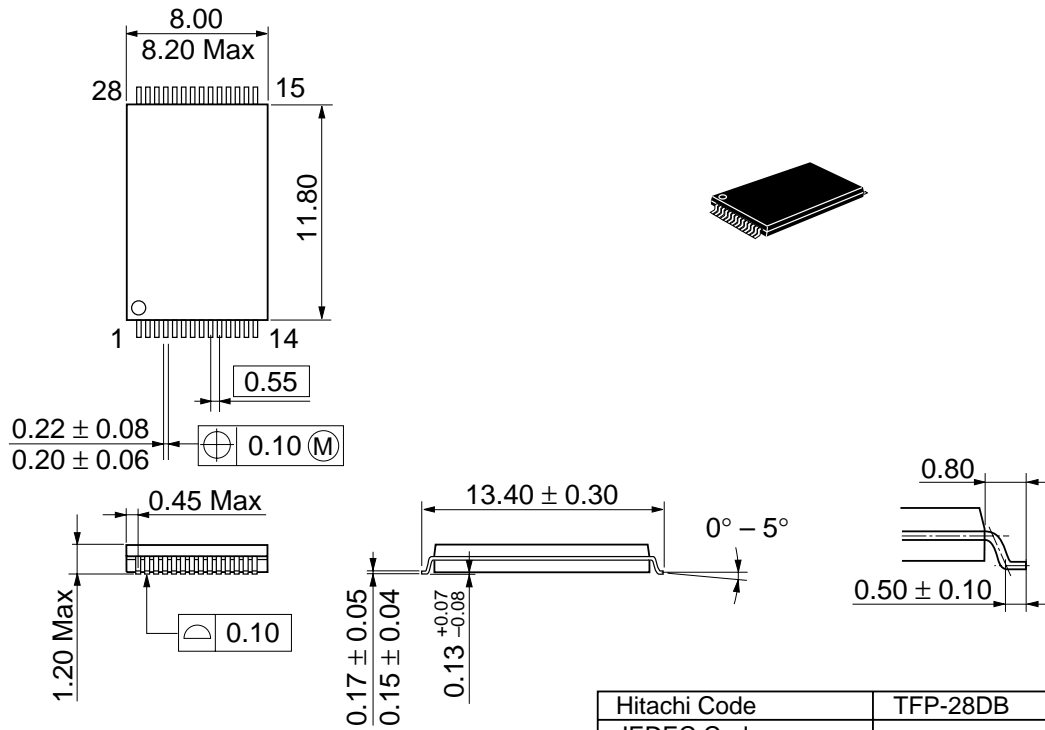
# HN58V65A Series, HN58V66A Series

## Package Dimensions (cont)

HN58V65AT Series

HN58V66AT Series (TFP-28DB)

Unit: mm



Dimension including the plating thickness  
Base material dimension

Hitachi Code	TFP-28DB
JEDEC Code	—
EIAJ Code	—
Weight (reference value)	0.23 g

When using this document, keep the following in mind:

1. This document may, wholly or partially, be subject to change without notice.
2. All rights are reserved: No one is permitted to reproduce or duplicate, in any form, the whole or part of this document without Hitachi's permission.
3. Hitachi will not be held responsible for any damage to the user that may result from accidents or any other reasons during operation of the user's unit according to this document.
4. Circuitry and other examples described herein are meant merely to indicate the characteristics and performance of Hitachi's semiconductor products. Hitachi assumes no responsibility for any intellectual property claims or other problems that may result from applications based on the examples described herein.
5. No license is granted by implication or otherwise under any patents or other rights of any third party or Hitachi, Ltd.
6. **MEDICAL APPLICATIONS:** Hitachi's products are not authorized for use in **MEDICAL APPLICATIONS** without the written consent of the appropriate officer of Hitachi's sales company. Such use includes, but is not limited to, use in life support systems. Buyers of Hitachi's products are requested to notify the relevant Hitachi sales offices when planning to use the products in **MEDICAL APPLICATIONS**.

---

---

# HITACHI

## Hitachi, Ltd.

Semiconductor & IC Div.  
Nippon Bldg., 2-6-2, Ohte-machi, Chiyoda-ku, Tokyo 100, Japan  
Tel: Tokyo (03) 3270-2111  
Fax: (03) 3270-5109

### For further information write to:

Hitachi America, Ltd.  
Semiconductor & IC Div.  
2000 Sierra Point Parkway  
Brisbane, CA. 94005-1835  
U S A  
Tel: 415-589-8300  
Fax: 415-583-4207

Hitachi Europe GmbH  
Electronic Components Group  
Continental Europe  
Dornacher Straße 3  
D-85622 Feldkirchen  
München  
Tel: 089-9 91 80-0  
Fax: 089-9 29 30 00

Hitachi Europe Ltd.  
Electronic Components Div.  
Northern Europe Headquarters  
Whitebrook Park  
Lower Cookham Road  
Maidenhead  
Berkshire SL6 8YA  
United Kingdom  
Tel: 0628-585000  
Fax: 0628-778322

Hitachi Asia Pte. Ltd.  
16 Collyer Quay #20-00  
Hitachi Tower  
Singapore 0104  
Tel: 535-2100  
Fax: 535-1533

Hitachi Asia (Hong Kong) Ltd.  
Unit 706, North Tower,  
World Finance Centre,  
Harbour City, Canton Road  
Tsim Sha Tsui, Kowloon  
Hong Kong  
Tel: 27359218  
Fax: 27306071