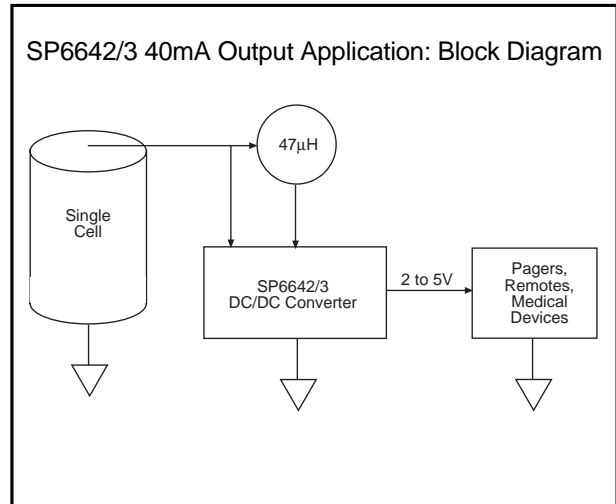




SP6642/3

Application Note: High Current Output

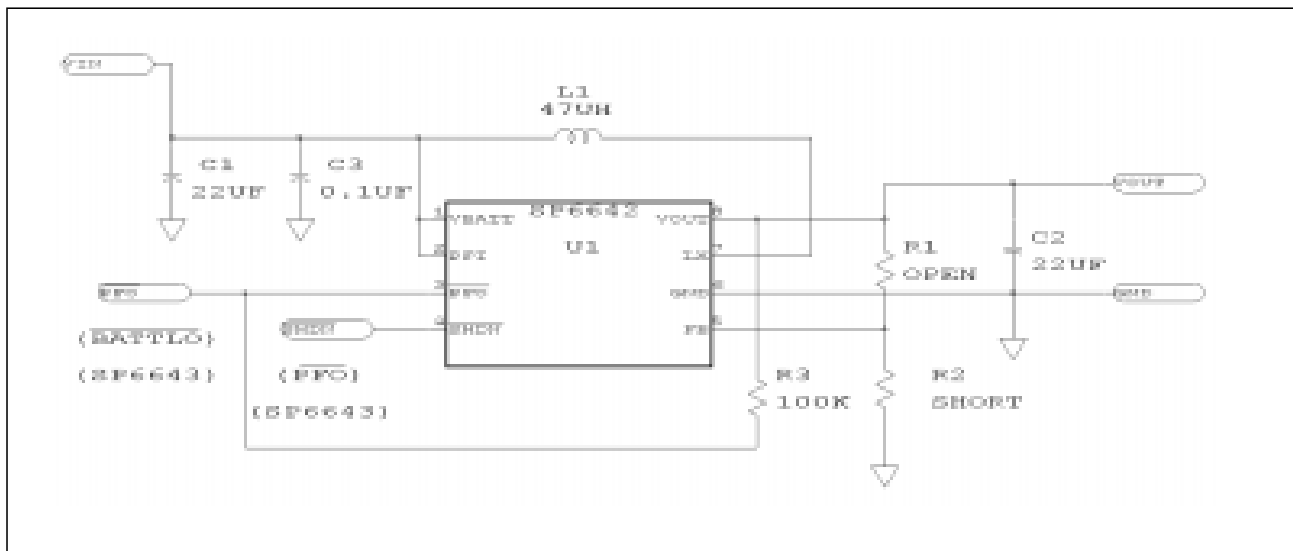
- 40mA Output Current for the SP6642/3 Single Cell to 2V to 5V Converter
- High Efficiency: 81%
- Twice the Output Current as the Pin-to-Pin Compatible MAX1642/3
- 0.75V Start-up Voltage



Description

The **SP6642/6643** devices are high-efficiency, low-power step-up DC-DC converters for +1V inputs ideal for single alkaline cell applications such as pagers, remote controls, pointing devices and other low-power portable products. This application note is for users like medical devices, emergency lighting and others who need twice the output current than the datasheet specified values for the SP6642/6643. Typically specified at 20mA for 3.3V out with a 1.2V input, the SP6642 can actually output double the current if a lower value of inductor is selected.

SP6642/6643 Applications Schematic – 47µH Inductor



High Current Application

Changing the inductor on the **SP6642/3** from 100μH to 47μH will increase the peak inductor current by 2 times from about 250mA to about 500mA. This can be seen from the relationship of inductor current in the equation

$$V_L = L di/dt$$

where V_L is set by V_{in} and V_{out} , dt is the charge time set by the On-Time Constant, K as specified in the **SP6642/3** datasheet. Since L is the only factor changing, for a decrease of L by 1/2, the peak current, di , will double. With a doubling of peak current, the output current the **SP6642/3** can provide will double. The saturation current specified for the inductor needs to be greater than the peak current to avoid saturating the inductor, which would result in a loss in efficiency and could damage the inductor. *Table 1* below lists the inductors recommended for their low DC resistance and sufficient saturation current rating.

INDUCTANCE (μH)	VENDOR/PART NO.	INDUCTOR SPECIFICATION	
		RESISTANCE	Isat (mA)
47	Sumida CD54-470	0.37	720
100	Sumida CD54-101	0.7	520

Table 1. Recommended Surface Mount Inductors

High Current Performance

The curves in figures 1-6 illustrate **SP6642** efficiency Vs output current using the Sumida 47uH inductor CD54-470 and the Sumida 100uH inductor CD54-101 for 3 different output voltages (2.4V, 3.3V, 5.0V) and 4 different input voltages (0.85V, 1.0V, 1.2V, 1.6V). These figures cover the full range of input and output voltages and currents for a single cell step-up converter for 2-5V output. Comparing figures 1,3,5 for the 47uH inductor to figures 2,4,6 for the 100μH inductor and you will see about double the output current for the 47μH Vs the 100μH. For example, for 5V out for V_{in} of 1.0 to 1.6V (typical single cell voltages), the 47μH maximum output current is 30 to 50mA, while the 100μH maximum output is 15 to 25mA.

Comparing efficiencies, the 47μH is less efficient than the 100uH at the maximum output current by about 4%. This difference can be attributed to the difference in time constant of charge for the inductor (L/R) in the equation for charging current:

$$I_{ch} = I_{max} * (1 - e^{-t/(L/R)})$$

where I_{max} is the peak inductor current, t is the charging time, L/R is the time constant for charge in the inductor. Since L changes by 1/2 from 100μH to 47μH, the DC series resistance R needs to decrease by 1/2 for L/R to remain the same. But, the DC resistance is composed of **SP6642/3** switch resistance and the DC resistance of the inductor. Even though inductor resistance reduces by about 1/2 (table 1) the **SP6642/3** switch resistance remains the same and the total DC resistance R will not reduce by 1/2. From this you can see that to decrease inductor values to be even less than 47μH, the efficiency will continue to decrease and peak current could rise to unacceptable levels.

In summary, the **SP6642/3** can obtain higher output currents by using a properly selected inductor value. The efficiency curves show double the output current allowing the **SP6642/3** to be used in a wider variety of portable products including medical devices and emergency lighting.

SP6642 Efficiency vs. Output Current

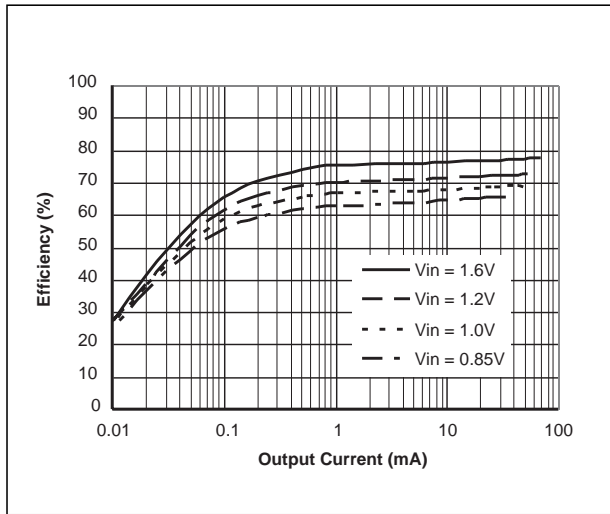


Figure 1. 2.4V_{OUT} Sumida 47µH

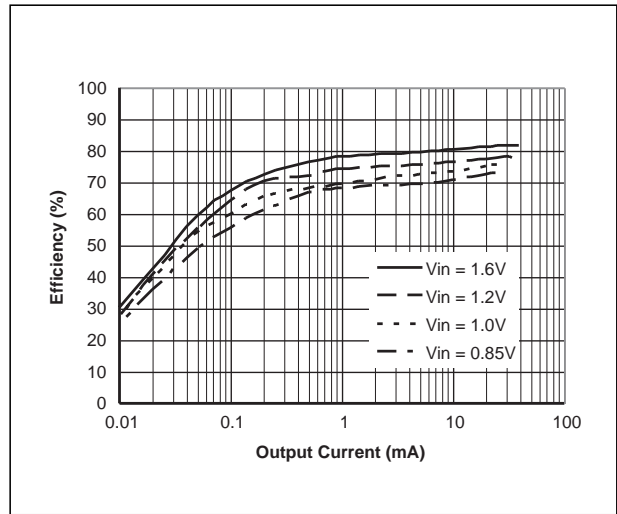


Figure 2. 2.4V_{OUT} Sumida 100µH

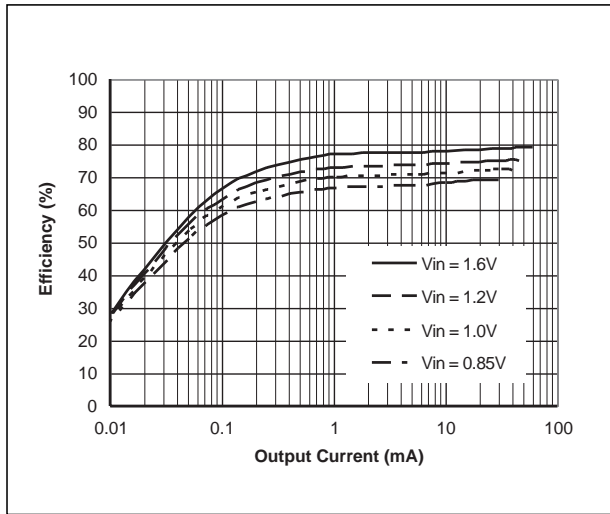


Figure 3. 3.3V_{OUT} Sumida 47µH

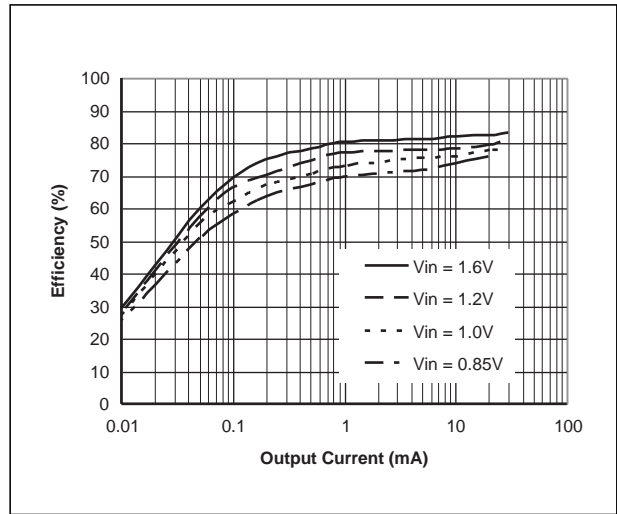


Figure 4. 3.3V_{OUT} Sumida 100µH

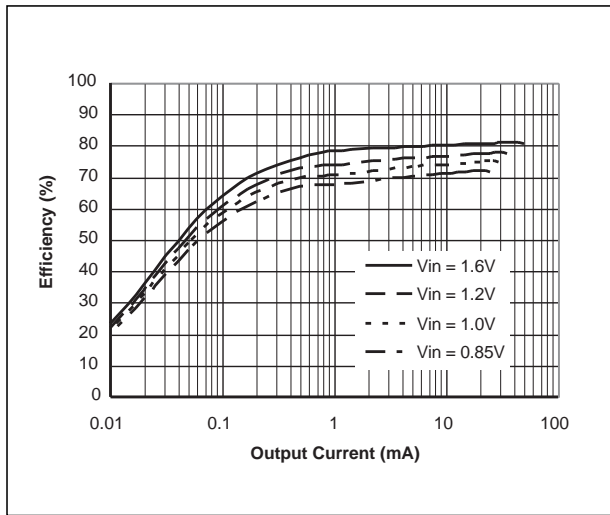


Figure 5. 5V_{OUT} Sumida 47µH

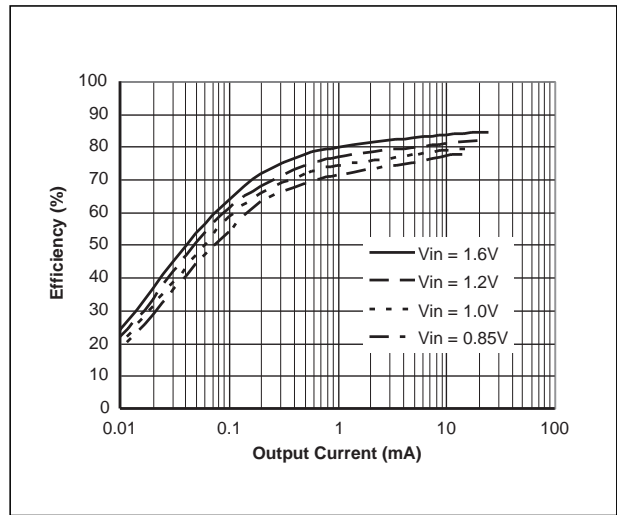


Figure 6. 5V_{OUT} Sumida 100µH

ORDERING INFORMATION

Model	Temperature Range	Package Types
SP6642EU	-40°C to +85°C.	8-pin μ SOIC
SP6643EU	-40°C to +85°C.	8-pin μ SOIC
SP6642UEB		SP6642 Evaluation Board

Please consult the factory for pricing and availability on a Tape-On-Reel option.



SIGNAL PROCESSING EXCELLENCE

Sipex Corporation

Headquarters and Sales Office

22 Linnell Circle
Billerica, MA 01821
TEL: (978) 667-8700
FAX: (978) 670-9001
e-mail: sales@sipex.com

Sales Office

233 South Hillview Drive
Milpitas, CA 95035
TEL: (408) 934-7500
FAX: (408) 935-7600

Sipex Corporation reserves the right to make changes to any products described herein. Sipex does not assume any liability arising out of the application or use of any product or circuit described hereing; neither does it convey any license under its patent rights nor the rights of others.