

DESCRIPTION

The LX6431 series precision adjustable three terminal shunt voltage regulators are pin-to-pin compatible with the industry standard TL431, but with significant improvements. The LX6431 design has eliminated regions of instability common to older generation shunt regulator products like the TL431. Designs are made simpler by eliminating the task of insuring capacitive loads, and output voltage and cathode currents don't combine for unstable operation. The capacitor value is chosen simply to give the best load transient response without the possibility of instability. A lower reference input current allows the use of higher value reference divider resistors,

reducing the current drain from batteries in portable equipment as well as reducing the voltage programming errors due to the impedance of the divider network (See Product Highlight figure below). In addition, the LX6431B has an improved initial accuracy of 0.4%, and the output voltage is programmable by using two external resistors from 2.5V to 36V.

These devices offer low output impedance for improved load regulation. The typical output impedance of these devices is 100mΩ. The reduced reference input bias current and minimum operating currents make these devices suitable for portable and micropower applications.

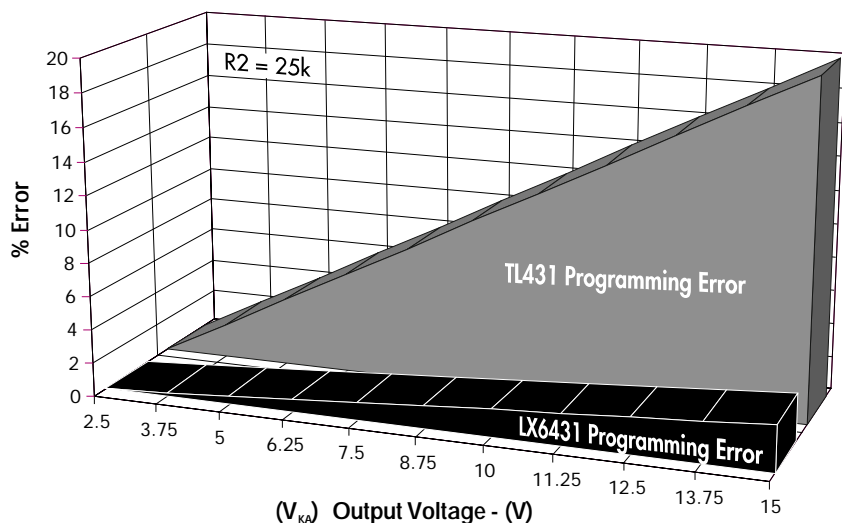
NOTE: For current data & package dimensions, visit our web site: <http://www.linfinity.com>.

KEY FEATURES

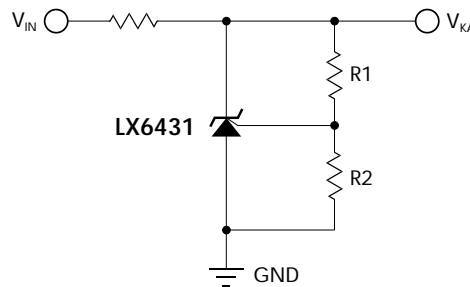
- Unconditionally Stable For All Cathode To Anode Capacitance Values
- Reduced Reference Input Current Allowing The Use Of Higher Value Divider Resistors (0.5μA Max.)
- Initial Voltage Reference Accuracy Of 0.4% (LX6431B)
- Sink Current Capability 0.6mA to 100mA
- Typical Output Dynamic Impedance Less Than 100mΩ
- Adjustable Output Voltage From 2.5V to 36V

PRODUCT HIGHLIGHT

OUTPUT VOLTAGE ERROR DUE TO I_{REF}



TYPICAL PROGRAMMABLE VOLTAGE REFERENCE CIRCUIT



PACKAGE ORDER INFORMATION

T_A (°C)	Initial Tolerance	DM	LP
		Plastic SOIC 8-pin	Plastic TO-92 3-pin
0 to 70	2%	LX6431CDM	LX6431CLP
	1%	LX6431ACDM	LX6431ACL
	0.4%	LX6431BCDM	LX6431BCLP
-40 to 85	2%	LX6431IDM	LX6431ILP
	1%	LX6431AIDM	LX6431AILP
	0.4%	LX6431BIDM	LX6431BILP

Note: All surface-mount packages are available in Tape & Reel.
 Append the letter "T" to part number. (i.e. LX5212CDPT)
 TO-92 (LP) package also available in ammo-pack.

LX6431/LX6431A/LX6431B

PRECISION PROGRAMMABLE REFERENCES

PRODUCTION DATA SHEET

ABSOLUTE MAXIMUM RATINGS (Note 1)

Cathode to Anode Voltage (V_{KA})	-0.3V to 37V
Reference Input Current (I_{REF})	-50 μ A to 10 μ A
Continuous Cathode Current (I_K)	-100mA to 150mA
Operating Junction Temperature	
Plastic (DM & LP Packages)	150°C
Storage Temperature Range	-65°C to 150°C
Lead Temperature	300°C

Note 1. Exceeding these ratings could cause damage to the device. All voltages are with respect to Ground. Currents are positive into, negative out of the specified terminal. Pin numbers refer to DIL packages only.

THERMAL DATA

DM PACKAGE:

THERMAL RESISTANCE-JUNCTION TO AMBIENT, θ_{JA}	165°C/W
---	---------

LP PACKAGE:

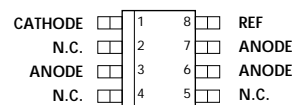
THERMAL RESISTANCE-JUNCTION TO AMBIENT, θ_{JA}	156°C/W
---	---------

Junction Temperature Calculation: $T_J = T_A + (P_D \times \theta_{JA})$.

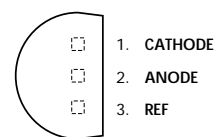
The θ_{JA} numbers are guidelines for the thermal performance of the device/pc-board system.

All of the above assume no ambient airflow

PACKAGE PIN OUTS

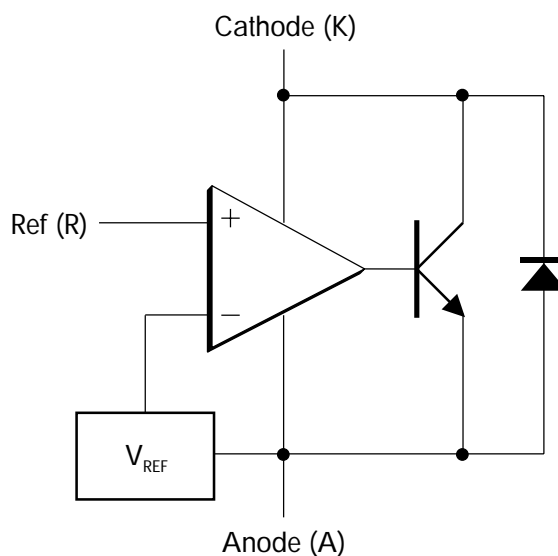


DM PACKAGE
(Top View)



LP PACKAGE
(Top View)

BLOCK DIAGRAM



LX6431/LX6431A/LX6431B

PRECISION PROGRAMMABLE REFERENCES

PRODUCTION DATA SHEET

ELECTRICAL CHARACTERISTICS (Note 2)

(Unless otherwise specified, these specifications apply over the operating ambient temperatures for LX6431C/LX6431AC/LX6431BC with $0^{\circ}\text{C} \leq T_A \leq 70^{\circ}\text{C}$, LX6431I/LX6431AI/LX6431BI with $-40^{\circ}\text{C} \leq T_A \leq 85^{\circ}\text{C}$.)

Parameter	Symbol	Test Conditions	LX6431			Units
			Min.	Typ.	Max.	
Reference Input Voltage	LX6431	$I_K = 10\text{mA}, V_{KA} = V_{REF}, T_A = 25^{\circ}\text{C}$	2440		2550	mV
	LX6431A		2470		2520	mV
	LX6431B		2490		2510	mV
Reference Drift	LX6431	$I_K = 10\text{mA}, V_{KA} = V_{REF}, 0^{\circ}\text{C} \leq T_A \leq 70^{\circ}\text{C}$			15	mV
		$I_K = 10\text{mA}, V_{KA} = V_{REF}, -40^{\circ}\text{C} \leq T_A \leq 85^{\circ}\text{C}$			25	mV
	LX6431A	$I_K = 10\text{mA}, V_{KA} = V_{REF}, 0^{\circ}\text{C} \leq T_A \leq 70^{\circ}\text{C}$			15	mV
		$I_K = 10\text{mA}, V_{KA} = V_{REF}, -40^{\circ}\text{C} \leq T_A \leq 85^{\circ}\text{C}$			25	mV
	LX6431B	$I_K = 10\text{mA}, V_{KA} = V_{REF}, 0^{\circ}\text{C} \leq T_A \leq 70^{\circ}\text{C}$			15	mV
		$I_K = 10\text{mA}, V_{KA} = V_{REF}, -40^{\circ}\text{C} \leq T_A \leq 85^{\circ}\text{C}$			20	mV
Voltage Ratio, Reference to Cathode (Note 3)		$I_K = 10\text{mA}, V_{KA} = 2.5\text{V to } 36\text{V}, T_A = 25^{\circ}\text{C}$	0.3		1	mV/V
		$I_K = 10\text{mA}, V_{KA} = 2.5\text{V to } 36\text{V}, T_A = \text{Operating Range}$	0.3		1	mV/V
Reference Input Current	I_{REF}	$V_{KA} = V_{REF}, T_A = 25^{\circ}\text{C}$	0.1		0.5	μA
		$V_{KA} = V_{REF}, T_A = \text{Operating Range}$	0.1		0.5	μA
Minimum Operating Current	I_{MIN}	$V_{KA} = V_{REF} \text{ to } 36\text{V}, T_A = 25^{\circ}\text{C}$		0.4	0.6	mA
		$V_{KA} = V_{REF} \text{ to } 36\text{V}, T_A = \text{Operating Range}$		0.4	0.6	mA
Off-State Cathode Current	I_{OFF}	$V_{KA} = 36\text{V}, V_{REF} = 0\text{V}, T_A = 25^{\circ}\text{C}$		0.3	1	μA
Dynamic Impedance	Z_{KA}	$V_{KA} = V_{REF}, I_K = 0.6\text{mA to } 100\text{mA}, f \leq 1\text{kHz}, T_A = 25^{\circ}\text{C}$		30	100	m Ω

Note 2. These parameters are guaranteed by design.

Note 3. $\frac{\Delta V_{REF}}{\Delta V_{KA}}$ Ratio of change in reference input voltage to the change in cathode voltage.

GRAPH / CURVE INDEX

Characteristic Curves

FIGURE

1. REFERENCE VOLTAGE vs. FREE-AIR TEMPERATURE
2. REFERENCE CURRENT vs. FREE-AIR TEMPERATURE
3. CATHODE CURRENT vs. CATHODE VOLTAGE
4. OFF-STATE CATHODE CURRENT vs. FREE-AIR TEMPERATURE
5. RATIO OF DELTA REFERENCE VOLTAGE TO DELTA CATHODE VOLTAGE vs. FREE-AIR TEMPERATURE
6. EQUIVALENT INPUT NOISE VOLTAGE vs. FREQUENCY

FIGURE INDEX

Application Information

FIGURE

7. COMPARISON OF REFERENCE RESISTOR VALUES BETWEEN AN LX6431B AND A TL1431. Resistors used with the LX6431B are 5 times higher in value.
8. COMPARISON OF REFERENCE RESISTOR VALUES BETWEEN AN LX6431B AND A TL1431. When used as 0.5%, 5V shunt regulators.

Parameter Measurement Information

FIGURE

9. TEST CIRCUIT FOR $V_{KA} = V_{REF}$
10. TEST CIRCUIT FOR $V_{KA} > V_{REF}$
11. TEST CIRCUIT FOR I_{OFF}

Typical Characteristics

FIGURE

12. EQUIVALENT INPUT NOISE VOLTAGE OVER A 10-SECOND PERIOD
13. SMALL-SIGNAL VOLTAGE AMPLIFICATION vs. FREQUENCY
14. REFERENCE IMPEDANCE vs. FREQUENCY
15. PULSE RESPONSE
16. DIFFERENTIAL VOLTAGE AMPLIFICATION vs. FREQUENCY

CHARACTERISTIC CURVES

FIGURE 1. — REFERENCE VOLTAGE vs. FREE-AIR TEMPERATURE

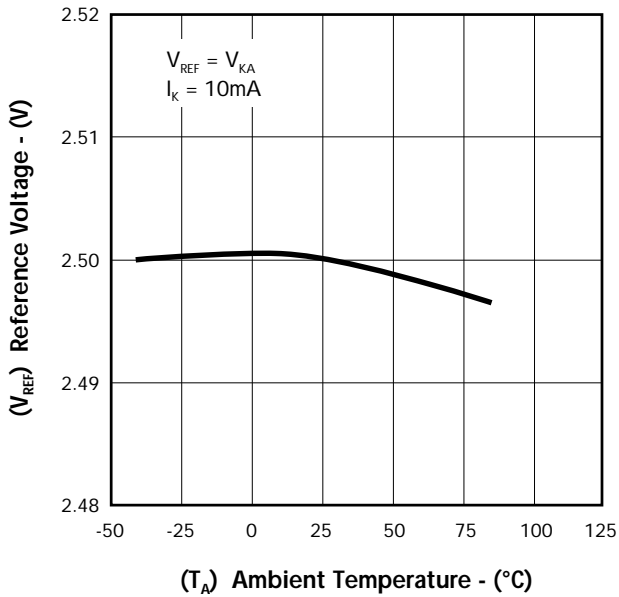


FIGURE 2. — REFERENCE CURRENT vs. FREE-AIR TEMPERATURE

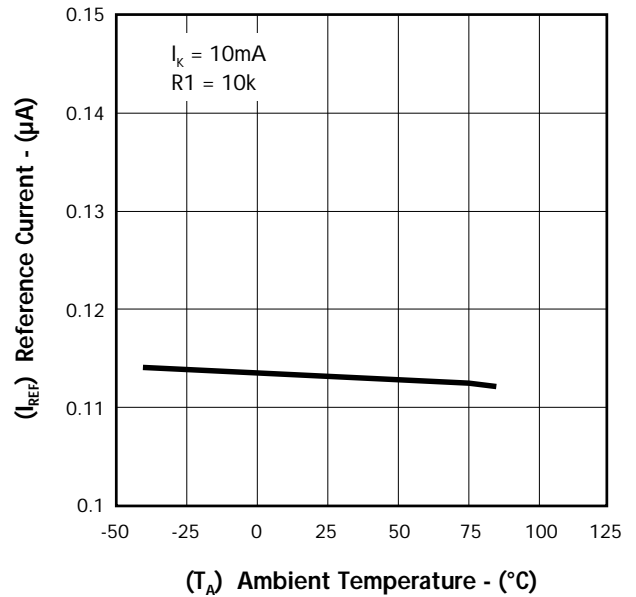


FIGURE 3. — CATHODE CURRENT vs. CATHODE VOLTAGE

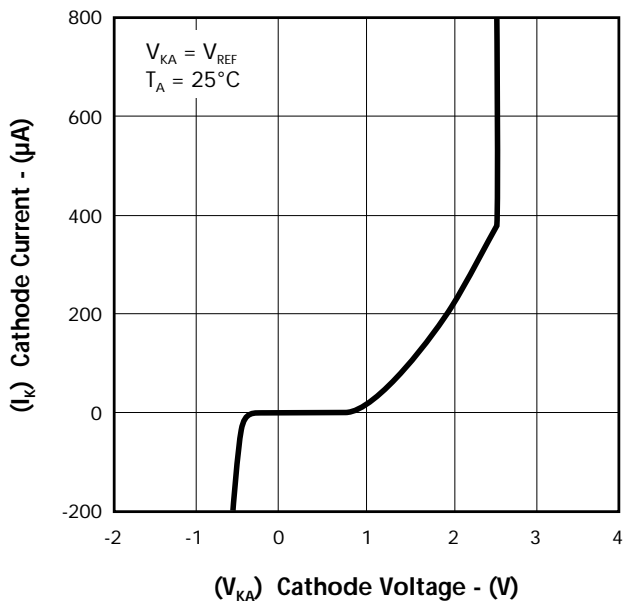
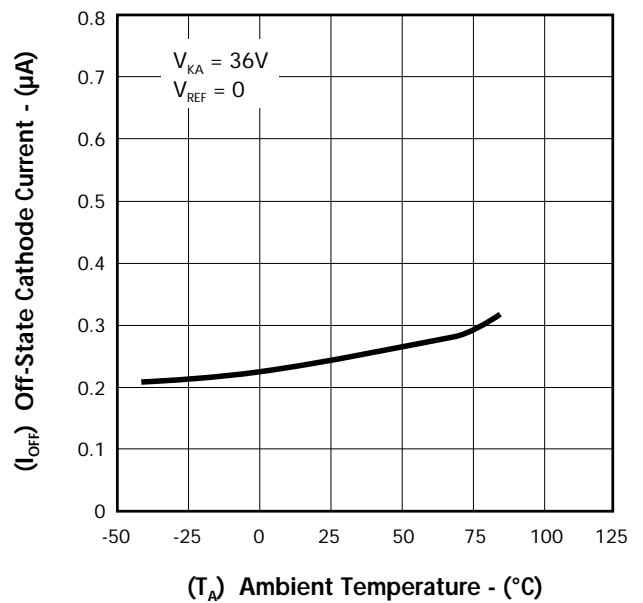


FIGURE 4. — OFF-STATE CATHODE CURRENT vs. FREE-AIR TEMPERATURE



CHARACTERISTIC CURVES

FIGURE 5. — RATIO OF DELTA REFERENCE VOLTAGE TO DELTA CATHODE VOLTAGE vs. FREE-AIR TEMPERATURE

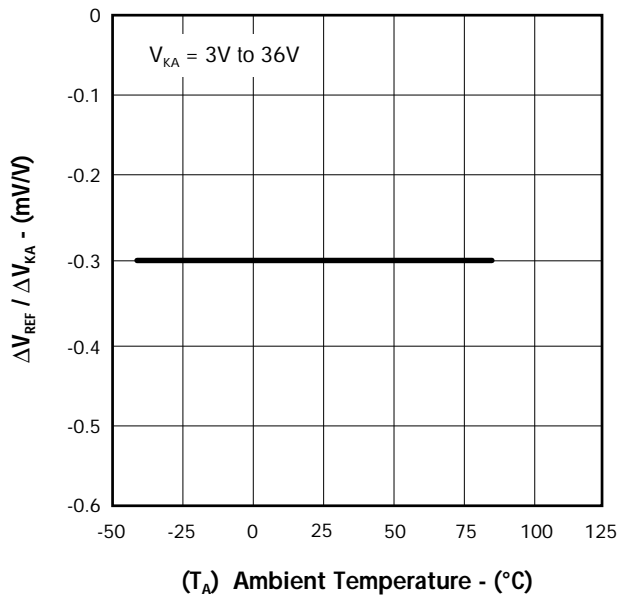
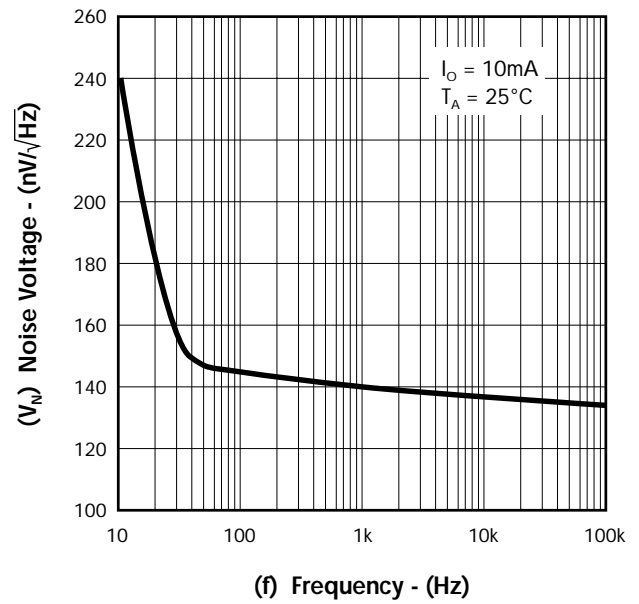


FIGURE 6. — EQUIVALENT INPUT NOISE VOLTAGE vs. FREQUENCY



APPLICATION INFORMATION

Application Hints

The reference input current of the LX6431 series voltage references is much lower than other similar precision parts. This helps to design programmable voltage references that can use much higher value programming resistors while maintaining the same accuracy as the other precision parts. Figure 7 below shows a 5V, 1% shunt regulator using the LX6431B and a shunt regulator using the TL1431 (Also available from Linfinity). Figure 8 shows 0.5% shunt regulators. Noteworthy are the values of the reference resistors used in the two circuits. With the LX6431B it is possible to use 25k resistors for setting the output voltage with 1% precision as opposed to 5k programming resistors when the same precision needs to be achieved with a TL1431.

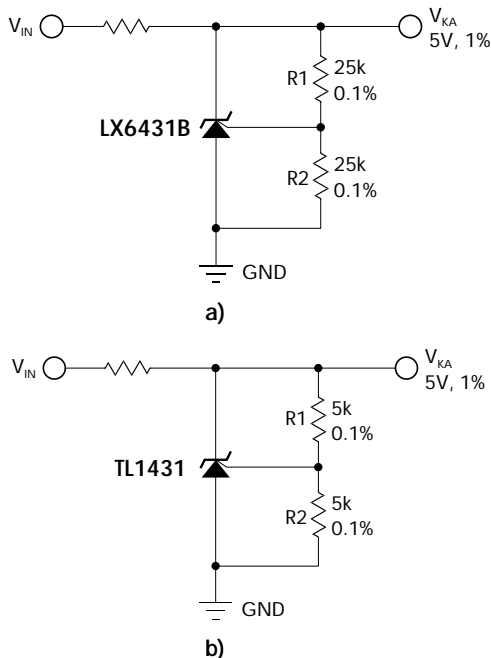


FIGURE 7 — Comparison of reference resistor values between an LX6431B and a TL1431, resistors used with the LX6431B are 5 times higher in value.

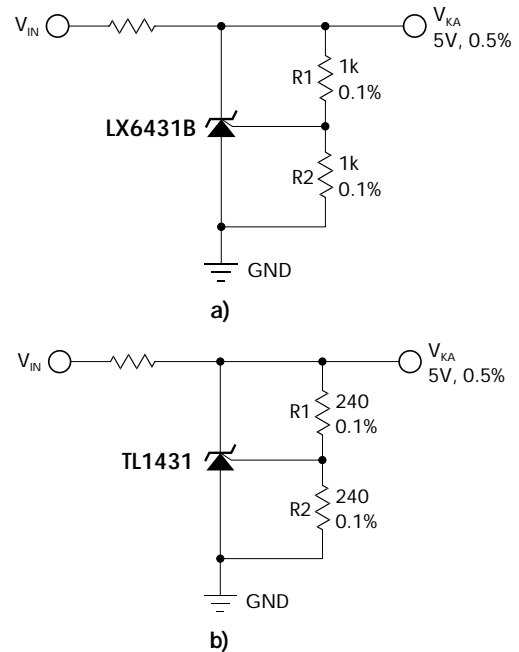


FIGURE 8 — Comparison of reference resistor values between an LX6431B and a TL1431, when used as 0.5%, 5V shunt regulators.

The output voltage of the reference can be programmed by using the formula below:

$$V_{KA} \cong 2.5 * \left(1 + \frac{R1}{R2} \right)$$

If more accuracy is required then the effects of the input bias current (I_{REF}) must be taken into account. The formula below accounts for the error this current produces.

$$V_{KA} = 2.5 * \left(1 + \frac{R1}{R2} \right) + I_{REF} * R1$$

Smaller values of programming resistors tend to minimize bias current errors. In this respect the low input current characteristics of the LX6431B helps to reduce the power dissipation on the programming resistors by a factor of five compared to other references like the TL1431 and TL431.

The LX6431 series of voltage references have an enhanced circuit design that can tolerate any value of cathode to anode capacitance.

PARAMETER MEASUREMENT INFORMATION

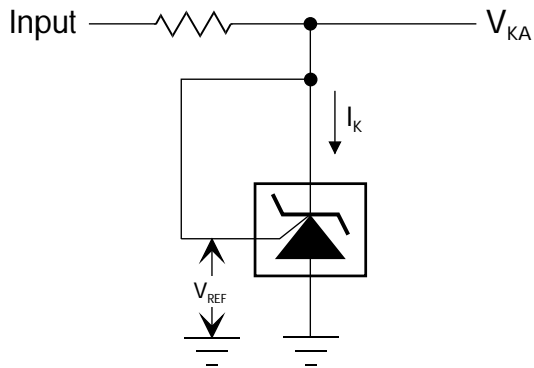


FIGURE 9 — TEST CIRCUIT FOR $V_{KA} = V_{REF}$

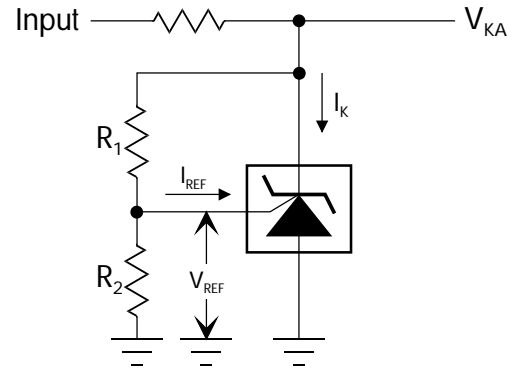


FIGURE 10 — TEST CIRCUIT FOR $V_{KA} > V_{REF}$

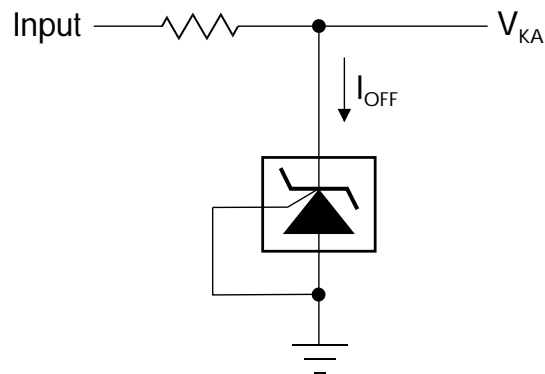


FIGURE 11 — TEST CIRCUIT FOR I_{OFF}

TYPICAL CHARACTERISTICS

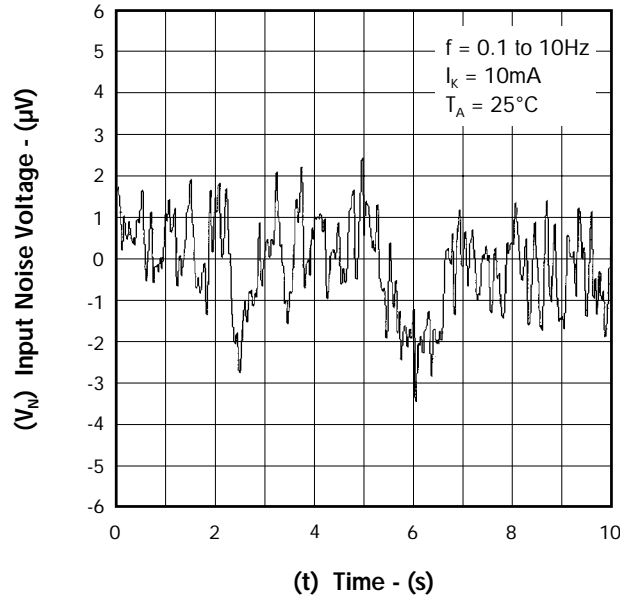
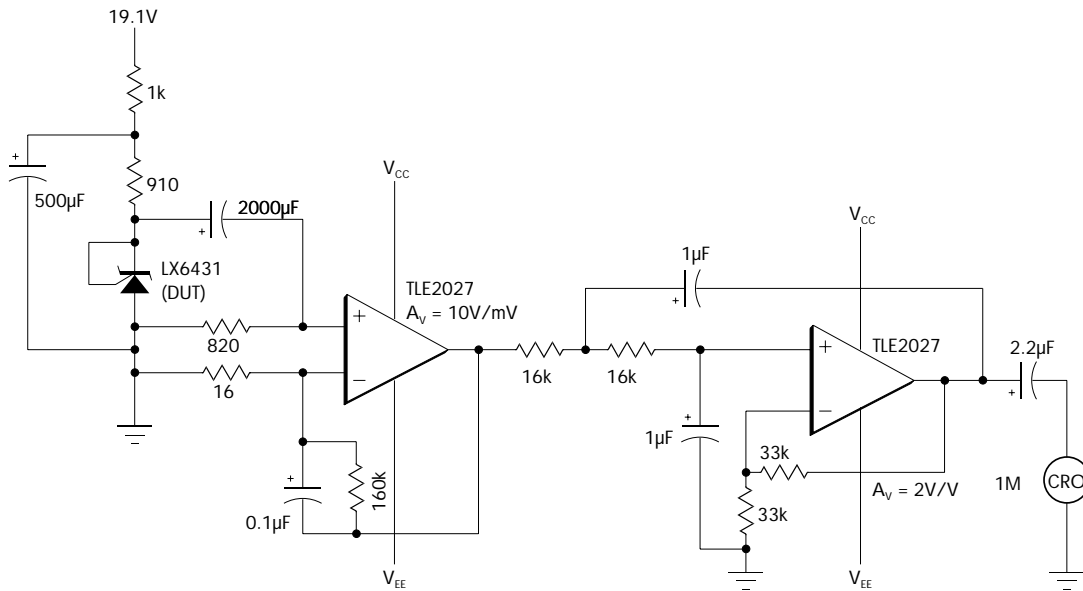


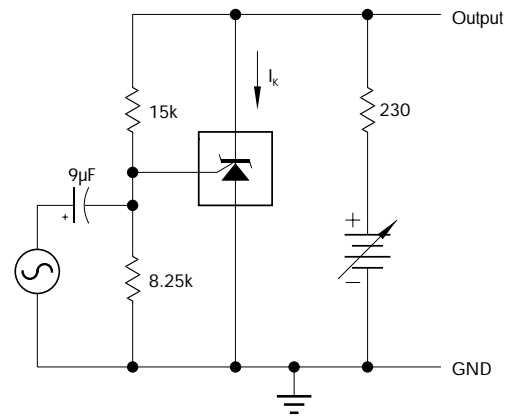
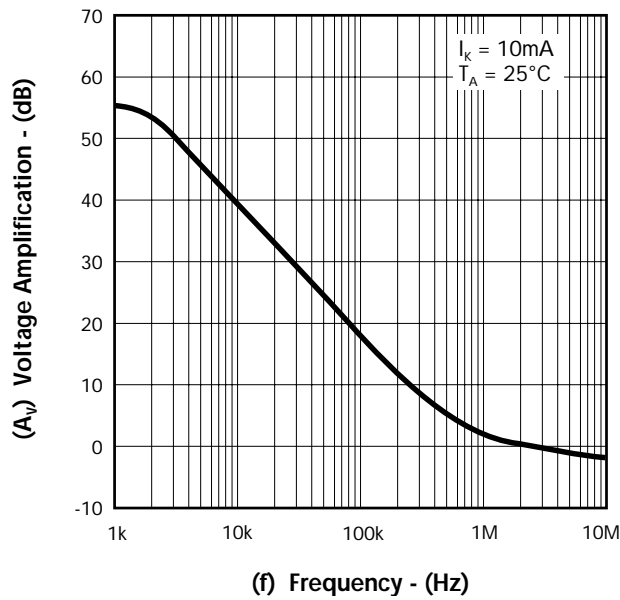
FIGURE 12. — EQUIVALENT INPUT NOISE VOLTAGE OVER A 10-SECOND PERIOD



Test Circuit for 0.1Hz to 10Hz Equivalent Input Noise Voltage

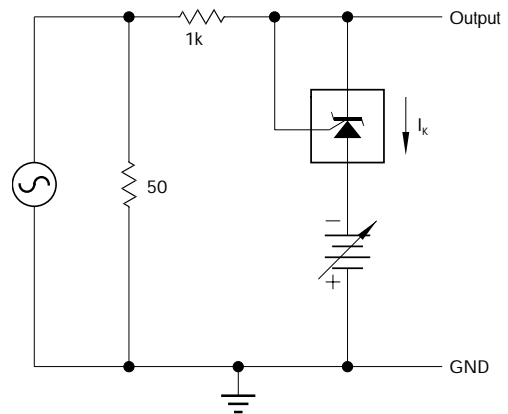
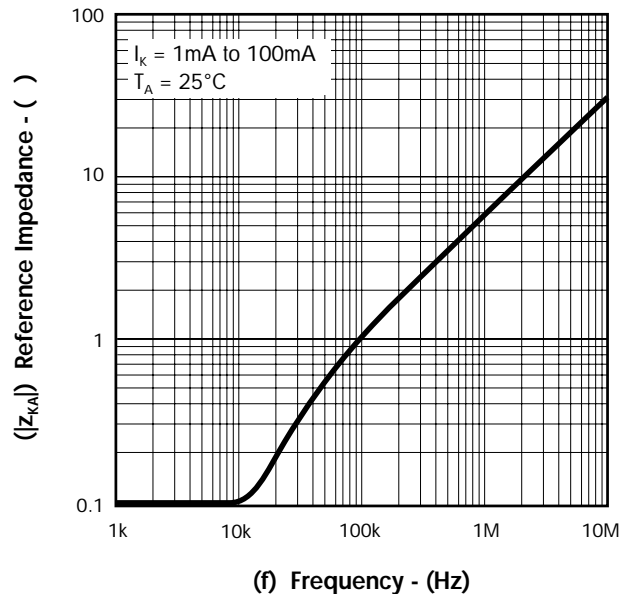
TYPICAL CHARACTERISTICS

FIGURE 13. — SMALL-SIGNAL VOLTAGE AMPLIFICATION vs. FREQUENCY



Test Circuit for Voltage Amplification

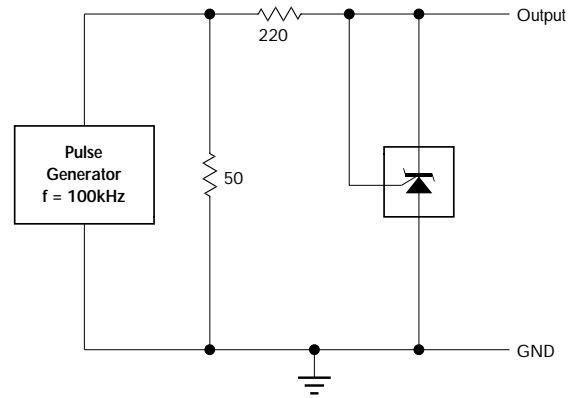
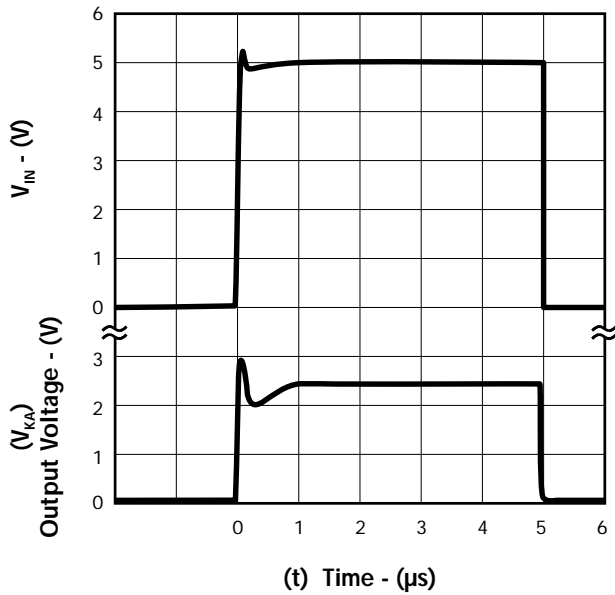
FIGURE 14. — REFERENCE IMPEDANCE vs. FREQUENCY



Test Circuit for Reference Impedance

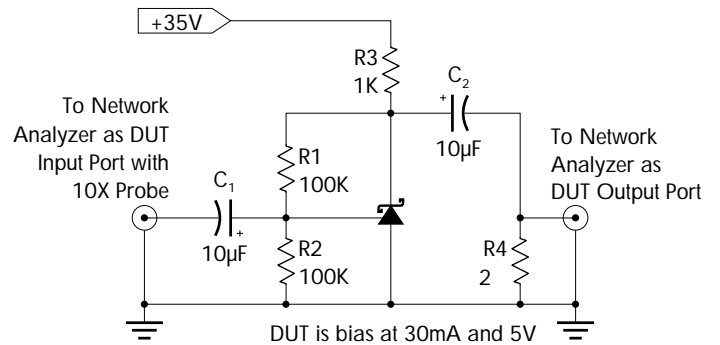
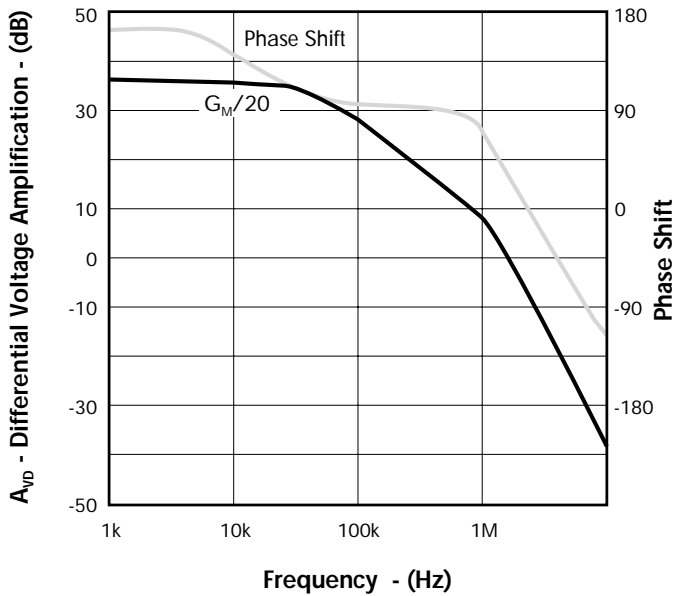
TYPICAL CHARACTERISTICS

FIGURE 15. — PULSE RESPONSE



Test Circuit for Pulse Response

FIGURE 16. — DIFFERENTIAL VOLTAGE AMPLIFICATION vs. FREQUENCY



Test Setup for Measuring A_{VD} vs. Frequency

PRODUCTION DATA - Information contained in this document is proprietary to Linfinity, and is current as of publication date. This document may not be modified in any way without the express written consent of Linfinity. Product processing does not necessarily include testing of all parameters. Linfinity reserves the right to change the configuration and performance of the product and to discontinue product at any time.