

LM64P89L

Large Size Graphic Type LCD Module
(FA/POS/Measuring instruments)

Features

- 26 cm [10.4"] VGA format
- Transmissive B/W display
- Built-in long life CCFT B/L
- High contrast (18 : 1)

Specifications

Parameter		Unit
Display size	26 [10.4]	cm ["]
Dot format (H x V)	640 x 480	dot
Dot pitch (H x V)	0.33 x 0.33	mm
Active area (H x V)	211.2 x 158.4	mm
Panel type	*1	-
Panel mode	Transmissive	-
Color	B/W	-
Contrast ratio	18 : 1	-
Response time	- [350]	ms

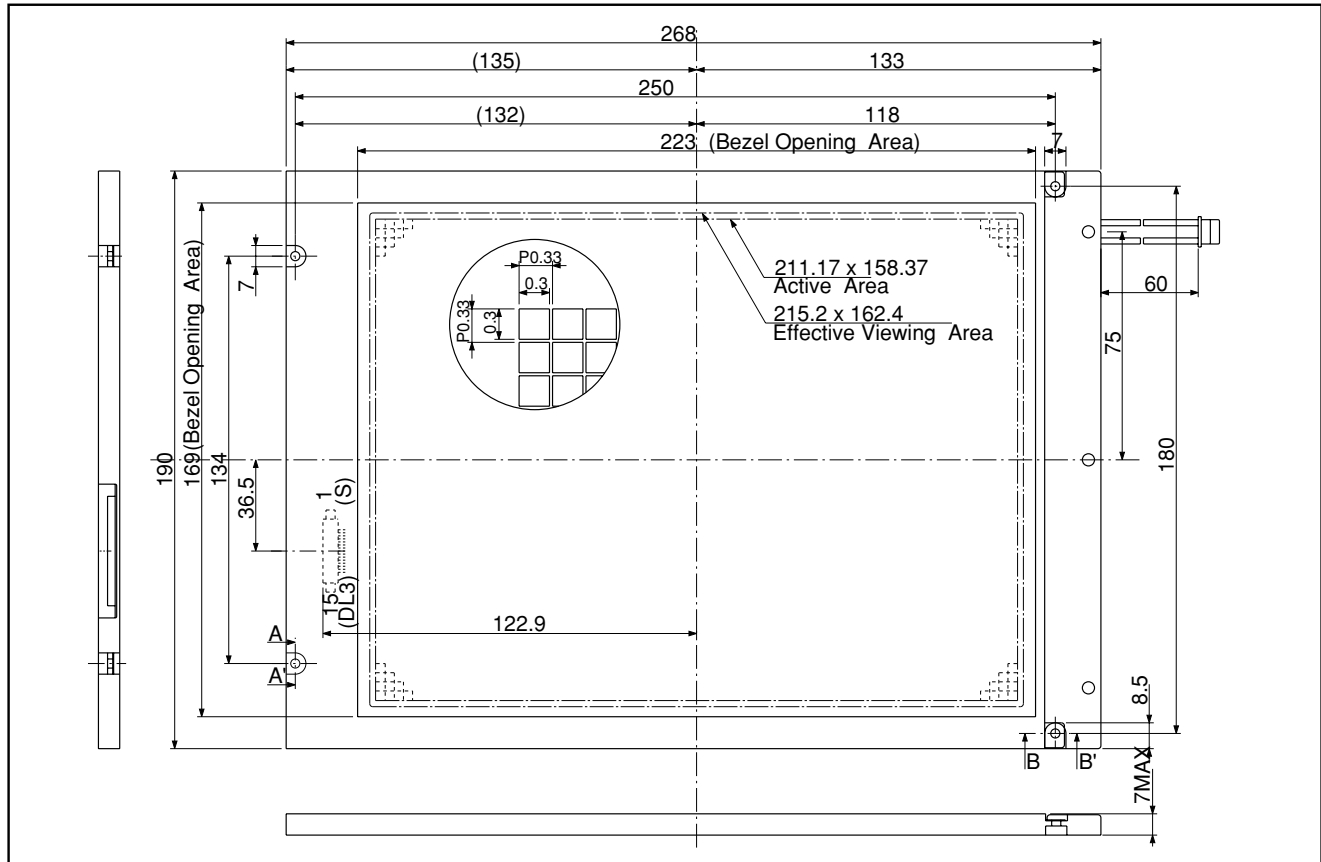
Parameter		Unit
Brightness	75	cd/m ²
Duty ratio	1/240	-
Backlight type	1CCFT(E)	-
Power consumption	2 550	mW
Outline dimensions (W x H x D)	250.0(268.0)*2 x 190.0 x 7.0	mm
Weight	340	g
Operating temperature	0 to +45	°C
Storage temperature	-25 to +60	°C

*1...Triple Super Twisted Nematic

*2...() value ... Including mounting tabs.

Outline Dimensions

unit : mm



In the absence of confirmation by device specification sheets, SHARP takes no responsibility for any defects that may occur in using any SHARP devices shown in catalogs, data books, etc. Contact SHARP in order to obtain the latest device specification sheets before using any SHARP device. Specifications are subject to change without notice for improvement.