

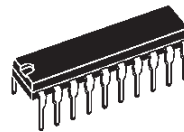
## POWER FACTOR CORRECTOR

- CONTROL BOOST PWM UP TO 0.99P.F.
- LIMIT LINE CURRENT DISTORTION TO < 5%
- UNIVERSAL INPUT MAINS
- FEED FORWARD LINE AND LOAD REGULATION
- AVERAGE CURRENT MODE PWM FOR MINIMUM NOISE SENSITIVITY
- HIGH CURRENT BIPOLAR AND DMOS TO-TEM POLE OUTPUT
- LOW START-UP CURRENT (0.3mA TYP.)
- UNDER VOLTAGE LOCKOUT WITH HYS-TERESIS AND PROGRAMMABLE TURN ON THRESHOLD
- OVERVOLTAGE, OVERCURRENT PROTEC-TION
- PRECISE 2% ON CHIP REFERENCE EX-TERNALLY AVAILABLE
- SOFT START

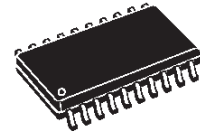
### DESCRIPTION

The L4981 I.C. provides the necessary features to achieve a very high power factor up to 0.99. Realized in BCD 60II technology this power factor corrector (PFC) pre-regulator contains all the con-

### MULTIPOWER BCD TECHNOLOGY



DIP20



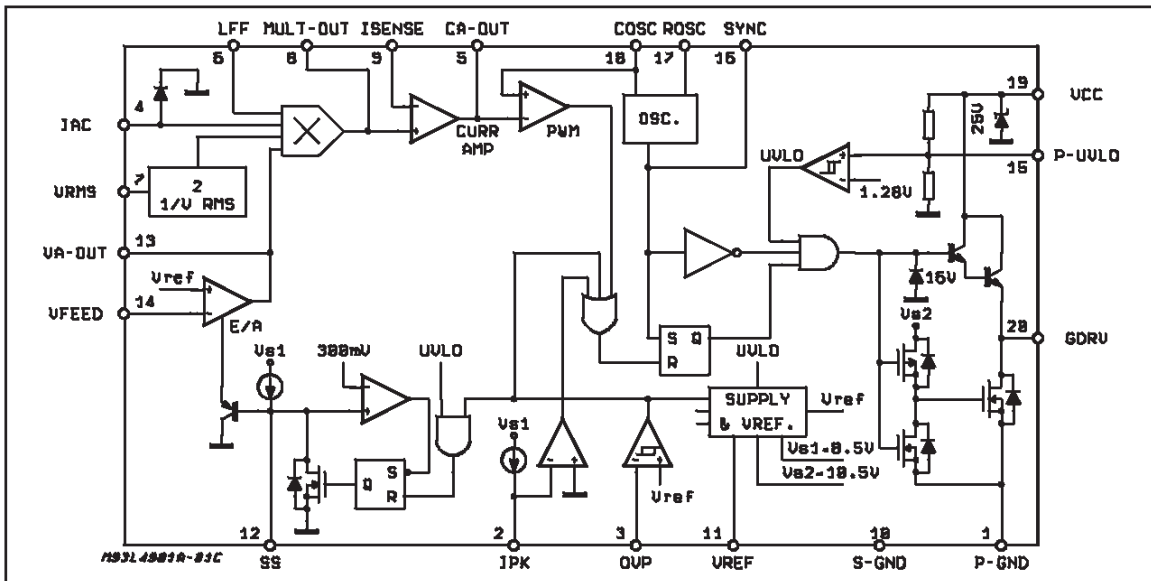
SO20

ORDERING NUMBERS: L4981X (DIP20)  
L4981XD (SO20)

rol functions for designing a high efficiency-mode power supply with sinusoidal line current consumption.

The L4981 can be easily used in systems with mains voltages between 85V to 265V without any line switch. This new PFC offers the possibility to work at fixed frequency (L4981A) or modulated frequency (L4981B) optimizing the size of the in-

### BLOCK DIAGRAM



## L4981A - L4981B

put filter; both the operating frequency modes working with an average current mode PWM controller, maintaining sinusoidal line current without slope compensation.

Besides power MOSFET gate driver, precise voltage reference (externally available), error amplifier, undervoltage lockout, current sense and the

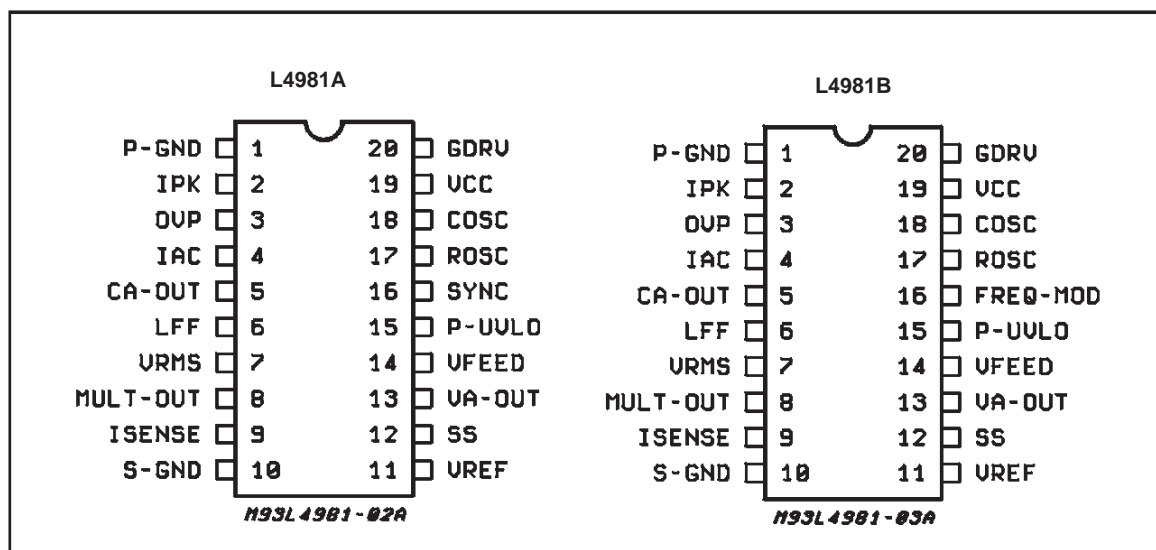
soft start are included. To limit the number of the external components, the device integrates protections as overvoltage and overcurrent. The overcurrent level can be programmed using a simple resistor for L4981A. For a better precision and for L4981B an external divider must be used.

### ABSOLUTE MAXIMUM RATINGS

Symbol	Pin	Parameter	Value	Unit	
V <sub>CC</sub>	19	Supply Voltage (I <sub>CC</sub> ≤ 50mA) (*)	selflimit	V	
I <sub>GDRV</sub>	20	Gate driv. output peak current (t = 1μs)	SINK	2	A
			SOURCE	1.5	A
V <sub>GDRV</sub>		Gate driv. output voltage t = 0.1μs	-1	V	
		Voltages at pins 3, 14, 7, 6, 12, 15	-0.3 to 9	V	
V <sub>VA-OUT</sub>	13	Error Amplifier Voltage	-0.3 to 8.5	V	
I <sub>AC</sub>	4	AC Input Current	5	mA	
		Voltages at pin 8, 9	-0.5 to 7	V	
V <sub>CA-OUT</sub>	5	Current Amplifier Volt. (I <sub>source</sub> = -20mA; I <sub>sink</sub> = 20mA)	-0.3 to 8.5	V	
V <sub>ROSC</sub>	17	Voltage at pin 17	-0.3 to 3	V	
	11, 18	Voltage at pin 11, 18	-0.3 to 7	V	
I <sub>COSC</sub>	18	Input Sink Current	15	mA	
I <sub>FREQ-MOD</sub>	16	Frequency Modulation Sink Current (L4981B)	5	mA	
V <sub>SYNC</sub>	16	Sync. Voltage (L4981A)	-0.3 to 7	V	
V <sub>IPK</sub>	2	Voltage at pin 2	-0.3 to 5.5	V	
		Voltage at Pin 2 t = 1μs	-2	V	
P <sub>tot</sub>		Power Dissipation at T <sub>amb</sub> = 70°C (DIP20)	1	W	
		Power Dissipation at T <sub>amb</sub> = 70°C (SO20)	0.6	W	
T <sub>op</sub>		Operating Ambient Temperature	-40 to 125	°C	
T <sub>stg</sub>		Storage Temperature	-55 to 150	°C	

(\*) Maximum package power dissipation limits must be observed.

### PIN CONNECTIONS (Top views)



## THERMAL DATA

Symbol	Parameter	DIP 20	SO 20	Unit
$R_{th\ j-amb}$	Thermal Resistance Junction-ambient	80	120	°C/W

## PIN FUNCTIONS

N.	Name	Description
1	P-GND	Power ground.
2	IPK	<b>L4981A</b> peak current limiting. A current limitation is obtained using a single resistor connected between Pin 2 and the sense resistor. To have a better precision another resistor between Pin 2 and a reference voltage (Pin 11) must be added.  <b>L4981B</b> peak current limiting. A precise current limitation is obtained using two external resistor only. These resistors must be connected between the sense resistor, Pin 2 and the reference voltage.
3	OVP	Overvoltage protection. At this input are compared an internal precise 5.1V (typ) voltage reference with a sample of the boost output voltage obtained via a resistive voltage divider in order to limit the maximum output peak voltage.
4	IAC	Input for the AC current. An input current proportional to the rectified mains voltage generates, via a multiplier, the current reference for the current amplifier.
5	CA-OUT	Current amplifier output. An external RC network determinates the loop gain.
6	LFF	Load feedforward; this voltage input pin allows to modify the multiplier output current proportionally to the load, in order to give a faster response versus load transient. The best control is obtained working between 1.5V and 5.3V. If this function is not used, connect this pin to the voltage reference (pin = 11).
7	VRMS	Input for proportional RMS line voltage. the VRMS input compesates the line voltage changes. Connecting a low pass filter between the rectified line and the pin 7, a DC voltage proportional to the input line RMS voltage is obtained. The best control is reached using input voltage between 1.5V and 5.5V. If this function is not used connect this pin to the voltage reference (pin = 11).
8	MULT-OUT	Multiplier output. This pin common to the multiplier output and the current amplifier N.I. input is an high impedance input like $I_{SENSE}$ . The MULT-OUT pin must be taken not below -0.5V.
9	$I_{SENSE}$	Current amplifier inverting input. Care must be taken to avoid this pin goes down -0.5V.
10	S-GND	Signal ground.
11	$V_{REF}$	Output reference voltage (typ = 5.1V). Voltage refence at $\pm 2\%$ of accuracy externally available, it's internally current limited and can deliver an output current up to 10mA.
12	SS	A capacitor connected to ground defines the soft start time. An internal current generator delivering 100 $\mu$ A (typ) charges the external capacitor defining the soft start time constant. An internal MOS discharge, the external soft start capacitor both in overvoltage and UVLO conditions.
13	VA-OUT	Error amplifier output, an RC network fixes the voltage loop gain characteristics.
14	VFEED	Voltage error amplifier inverting input. This feedback input is connected via a voltage divider to the boost output voltage.
15	P-UVLO	Programmable under voltage lock out threshold input. A voltage divider between supply voltage and GND can be connected in order to program the turn on threshold.
16	SYNC (L4981A)	This synchronization input/output pin is CMOS logic compatible. Operating as SYNC in, a rectangular wave must be applied at this pin. Opearting as SYNC out, a rectangular clock pulse train is available to synchronize other devices.
	FREQ-MOD (L4981B)	Frequency modulation current input. An external resistor must be connected between pin 16 and the rectified line voltage in order to modulate the oscillator frequency. Connecting pin 16 to ground a fixed frequency imposed by $R_{OSC}$ and $C_{OSC}$ is obtained.
17	$R_{OSC}$	An external resistor connected to ground fixes the constant charging current of $C_{OSC}$ .
18	$C_{OSC}$	An external capacitor connected to GND fixes the switching frequency.
19	$V_{CC}$	Supply input voltage.
20	GDRV	Output gate driver. Bipolar and DMOS transistors totem pole output stage can deliver peak current in excess 1A useful to drive MOSFET or IGBT power stages.

## L4981A - L4981B

**ELECTRICAL CHARACTERISTICS** (Unless otherwise specified  $V_{CC} = 18V$ ,  $C_{OSC} = 1nF$ ,  $R_{OSC} = 24K\Omega$ ,  $C_{SS} = 1\mu F$ ,  $V_{CA-OUT} = 3.5V$ ,  $V_{ISENSE} = 0V$ ,  $V_{LFF} = V_{REF}$ ,  $I_{AC} = 100\mu A$ ,  $V_{RMS} = 1V$ ,  $V_{FEED} = GND$ ,  $V_{IPK} = 1V$ ,  $V_{OVP} = 1V$ ,  $T_J = 25^\circ C$ )

Symbol	Parameter	Test Condition	Min.	Typ.	Max.	Unit
<b>ERROR AMPLIFIER SECTION</b>						
$V_{IO}$	Input Offset Voltage	$-25^\circ C < T_J < 85^\circ C$			$\pm 8$	mV
$I_{IB}$	Input Bias Current	$V_{FEED} = 0V$	-500	-50	500	nA
	Open Loop Gain		70	100		dB
$V_{13H}$	Output High voltage	$V_{FEED} = 4.7V$ $I_{VA-OUT} = -0.5mA$	5.5	6.5	7.5	V
$V_{13L}$	Output Low Voltage	$V_{FEED} = 5.5V$ $I_{VA-OUT} = 0.5mA$		0.4	1	V
$-I_{13}$	Output Source Current	$V_{FEED} = 4.7V$ ; $V_{VA-OUT} = 3.5V$	2	10		mA
$I_{13}$	Output Sink Current	$V_{FEED} = 5.5V$ ; $V_{VA-OUT} = 3.5V$	4	20		mA
<b>REFERENCE SECTION</b>						
$V_{ref}$	Reference Output Voltage	$-25^\circ C < T_J < 85^\circ C$	4.97	5.1	5.23	V
		$T_J = 25^\circ C$ $I_{ref} = 0$	5.01	5.1	5.19	V
$\Delta V_{ref}$	Load Regulation	$1mA \leq I_{ref} \leq 10mA$ $-25^\circ C < T_J < 85^\circ C$		3	15	mV
$\Delta V_{ref}$	Line Regulation	$12V \leq V_{CC} \leq 19V$ $-25^\circ C < T_J < 85^\circ C$		3	10	mV
$I_{ref\ sc}$	Short Circuit Current	$V_{ref} = 0V$	20	30	50	mA
<b>OSCILLATOR SECTION</b>						
$f_{osc}$	Initial Accuracy	$T_J = 25^\circ C$	85	100	115	KHz
	Frequency Stability	$12V \leq V_{CC} \leq 19V$ $-25^\circ C < T_J < 85^\circ C$	80	100	120	KHz
$V_{syp}$	Ramp Valley to Peak		4.7	5	5.3	V
$I_{18C}$	Charge Current	$V_{COSC} = 3.5V$	0.45	0.55	0.65	mA
$I_{18D}$	Discharge Current	$V_{COSC} = 3.5V$		11.5		mA
$V_{18}$	Ramp Valley Voltage		0.9	1.15	1.4	V
<b>SYNC SECTION (Only for L4981A)</b>						
$t_w$	Output Pulse Width	50% Amplitude	0.3	0.8		$\mu s$
$I_{16}$	Sink Current with Low Output Voltage	$V_{SYNC} = 0.4V$ $V_{COSC} = 0V$	0.4	0.8		mA
$-I_{16}$	Source Current with High Output Voltage	$V_{SYNC} = 4.5V$ $V_{COSC} = 6.7V$	1	6		mA
$V_{16L}$	Low Input Voltage				0.9	V
$V_{16H}$	High Input Voltage		3.5			V
$t_d$	Pulse for Synchronization		800			ns
<b>FREQUENCY MODULATION FUNCTION (Only for L4981B)</b>						
$f_{18max}$	Maximum Oscillation Frequency	$V_{FREQ-MOD} = 0V$ (Pin 16) $I_{freq} = 0$	85	100	115	KHz
$f_{18min}$	Minimum Oscillator Frequency	$I_{FREQ-MOD} = 360\mu A$ (Pin 16) $V_{RMS} = 4V$ (Pin 7)		74		KHz
		$I_{FREQ-MOD} = 180\mu A$ (Pin 16) $V_{RMS} = 2V$ (Pin 7)		76		KHz
<b>SOFT START SECTION</b>						
$I_{SS}$	Soft Start Source Current	$V_{SS} = 3V$	60	100	140	$\mu A$
$V_{12sat}$	Output Saturation Voltage	$V_3 = 6V$ , $I_{SS} = 2mA$		0.1	0.25	V

## ELECTRICAL CHARACTERISTICS (continued)

Symbol	Parameter	Test Condition	Min.	Typ.	Max.	Unit
<b>SUPPLY VOLTAGE</b>						
$V_{CC}$	Operating Supply Voltage				19.5	V
<b>OVER VOLTAGE PROTECTION COMPARATOR</b>						
$V_{thr}$	Rising Threshold Voltage		$V_{ref} - 20mV$	5.1	$V_{ref} + 20mV$	V
$V_{3Hys}$	Hysteresis		180	250	320	mV
$I_3$	Input Bias Current			0.05	1	$\mu A$
$t_d$	Propagation delay to output	$V_{OVP} = V_{thr} + 100mV$		1	2	$\mu s$
<b>OVER CURRENT PROTECTION COMPARATOR</b>						
$V_{th}$	Threshold Voltage				$\pm 30$	mV
$t_d$	Propagation delay to Output	$V_{OCP} = V_{thr} - 0.2V$		0.4	0.9	$\mu s$
$I_{pk}$	Current Source Generator	$V_{IPK} = -0.1V$ <b>only for L4981A</b>	65	85	105	$\mu A$
$I_L$	Leakage Current	$V_{IPK} = -0.1V$ <b>only for L4981B</b>			5	$\mu A$
<b>CURRENT AMPLIFIER SECTION</b>						
$V_{offset}$	Input Offset Voltage	$V_{MULT OUT} = V_{SENSE} = 3.5V$			$\pm 2$	mV
$I_{gbias}$	Input Bias Current	$V_{SENSE} = 0V$	-500	50	500	nA
	Open Loop Gain	$1.1V \leq V_{CA OUT} \leq 6V$	70	100		dB
SVR	Supply Voltage Rejection	$12V \leq V_{CC} \leq 19V$ $V_{MULT OUT} = 3.5V$ $V_{SENSE} = 3.5V$	68	90		dB
$V_{5H}$	Output High Voltage	$V_{MULT OUT} = 200mV$ $I_{CA OUT} = -0.5mA$ , $V_{IAC} = 0V$	6.2			V
$V_{5L}$	Output Low Voltage	$V_{MULT OUT} = -200mV$ $I_{CA OUT} = 0.5mA$ , $V_{IAC} = 0V$			0.9	V
$-I_5$	Output Source Current	$V_{MULT OUT} = 200mV$ , $V_{IAC} = 0V$ , $V_{CA-OUT} = 3.5V$	2	10		mA
$I_5$	Output Sink Current		2	10		mA
<b>OUTPUT SECTION</b>						
$V_{20L}$	Output Voltage Low	$I_{SINK} = 250mA$		0.5	0.8	V
$V_{20H}$	Output Voltage High	$I_{SOURCE} = 250mA$ $V_{CC} = 15V$	11.5	12.5		V
$t_r$	Output Voltage Rise Time	$C_{OUT} = 1nF$		50	150	ns
$t_f$	Output Voltage Fall Time	$C_{OUT} = 1nF$		30	100	ns
$V_{GDRV}$	Voltage Clamp	$I_{SOURCE} = 0mA$	13	16	19	V
<b>TOTAL STANDBY CURRENT SECTION</b>						
$I_{19start}$	Supply Current before start up	$V_{CC} = 14V$		0.3	0.5	mA
$I_{19on}$	Supply Current after turn on	$V_{IAC} = 0V$ , $V_{COSC} = 0$ , $Pin17 = Open$		8	12	mA
$I_{19}$	Operating Supply Current	$Pin20 = 1nF$		12	16	mA
$V_{CC}$	Zener Voltage	(*)	20	25	30	V
<b>UNDER VOLTAGE LOCKOUT SECTION</b>						
$V_{th ON}$	Turn on Threshold		14.5	15.5	16.5	V
$V_{th OFF}$	Turn off Threshold		9	10	11	V
	Programmable Turn-on Threshold	$Pin 15$ to $V_{CC} = 220K$ $Pin15$ to $GND = 33K$	10.6	12	13.4	V
<b>LOAD FEED FORWARD</b>						
$I_{LFF}$	Bias Current	$V_6 = 1.6V$		70	140	$\mu A$
		$V_6 = 5.3V$		200	300	$\mu A$
$V_I$	Input Voltage Range		1.6		5.3	V

(\*) Maximum package power dissipation limits must be observed.



ELECTRICAL CHARACTERISTICS (continued)

Symbol	Parameter	Test Condition	Min.	Typ.	Max.	Unit
<b>MULTIPLIER SECTION</b>						
	Multiplier Output Current	V <sub>VA-OUT</sub> = 4V, V <sub>RMS</sub> = 2V, V <sub>MULTOUT</sub> = 0, V <sub>LFF</sub> = 5.1V I <sub>AC</sub> = 50μA, C <sub>OSC</sub> = 0V	20	35	52	μA
		V <sub>VA-OUT</sub> = 4V, V <sub>RMS</sub> = 2V, V <sub>MULTOUT</sub> = 0, V <sub>LFF</sub> = 5.1V I <sub>AC</sub> = 200μA, C <sub>OSC</sub> = 0V	100	135	170	μA
		V <sub>VA-OUT</sub> = 2V, V <sub>RMS</sub> = 2V, V <sub>MULTOUT</sub> = 0, V <sub>LFF</sub> = 5.1V I <sub>AC</sub> = 100μA, C <sub>OSC</sub> = 0V	10	20	30	μA
		V <sub>VA-OUT</sub> = 2V, V <sub>RMS</sub> = 4V, V <sub>MULTOUT</sub> = 0, V <sub>LFF</sub> = 5.1V I <sub>AC</sub> = 100μA, C <sub>OSC</sub> = 0V	2	5.5	11	μA
		V <sub>VA-OUT</sub> = 4V, V <sub>RMS</sub> = 4V, V <sub>MULTOUT</sub> = 0, V <sub>LFF</sub> = 5.1V I <sub>AC</sub> = 100μA, C <sub>OSC</sub> = 0V	10	22	34	μA
		V <sub>VA-OUT</sub> = 4V, V <sub>RMS</sub> = 2V, V <sub>MULTOUT</sub> = 0, V <sub>LFF</sub> = 2.5V C <sub>OSC</sub> = 0V, I <sub>AC</sub> = 200μA	20	37	54	μA
		V <sub>VA-OUT</sub> = 4V, V <sub>RMS</sub> = 4V, V <sub>MULTOUT</sub> = 0, V <sub>LFF</sub> = 5.1V I <sub>AC</sub> = 200μA, C <sub>OSC</sub> = 0V	20	39	54	μA
		V <sub>VA-OUT</sub> = 2V, V <sub>RMS</sub> = 4V, V <sub>MULTOUT</sub> = 0, V <sub>LFF</sub> = 5.1V I <sub>AC</sub> = 0, C <sub>OSC</sub> = 0V	-2	0	2	μA
K	Multiplier Gain			0.37		

$$I_{MULT-OUT} = K \cdot I_{AC} \frac{(V_{VA-OUT} - 1.28) \cdot (0.8 \cdot V_{LFF} - 1.28)}{(V_{RMS})^2}$$

if V<sub>LFF</sub> = V<sub>REF</sub>;  $I_{MULT-OUT} = I_{AC} \frac{(V_{VA-OUT} - 1.28)}{(V_{RMS})^2} \cdot K1$

where: K1 = 1V

Figure 1: MULTI-OUT vs. I<sub>AC</sub> (V<sub>RMS</sub> = 1.7V; V<sub>LFFD</sub> = 5.1V)

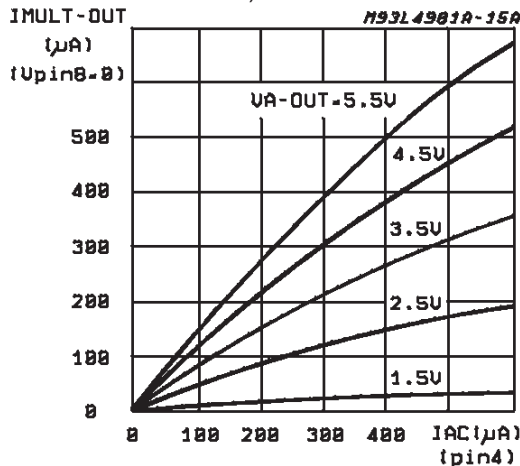


Figure 2: MULTI-OUT vs. I<sub>AC</sub> (V<sub>RMS</sub> = 2.2V; V<sub>LFFD</sub> = 5.1V)

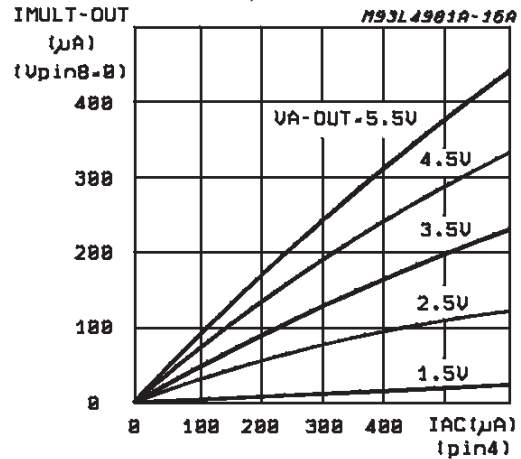


Figure 3: MULTI-OUT vs. I<sub>AC</sub> (V<sub>RMS</sub> = 4.4V; V<sub>LFFD</sub> = 5.1V)

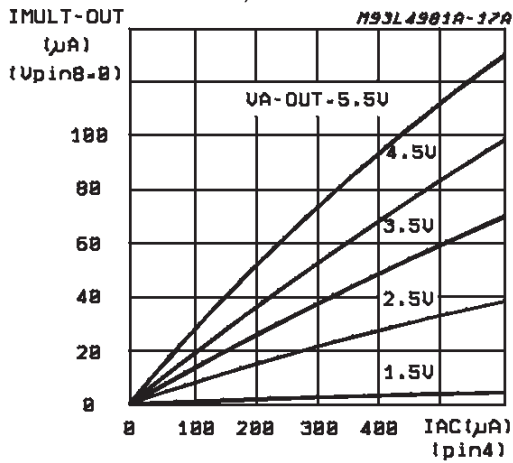


Figure 4: MULTI-OUT vs. I<sub>AC</sub> (V<sub>RMS</sub> = 5.3V; V<sub>LFFD</sub> = 5.1V)

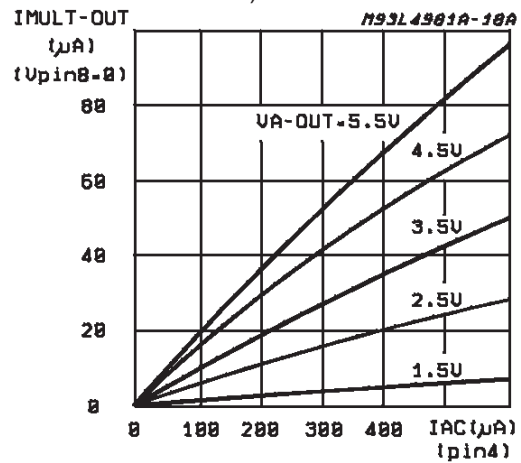


Figure 5: MULTI-OUT vs. I<sub>AC</sub> (V<sub>RMS</sub> = 1.7V; V<sub>LFFD</sub> = 2.5V)

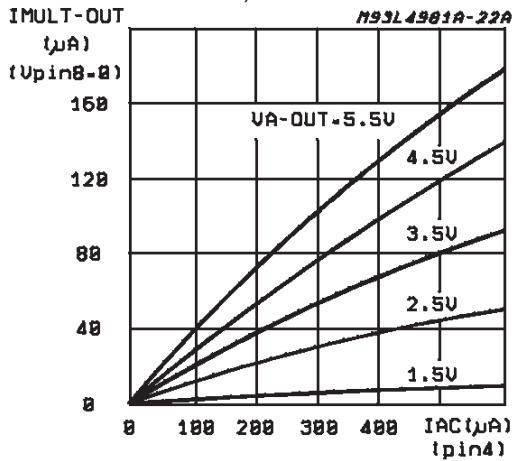


Figure 6: MULTI-OUT vs. I<sub>AC</sub> (V<sub>RMS</sub> = 2.2V; V<sub>LFFD</sub> = 2.5V)

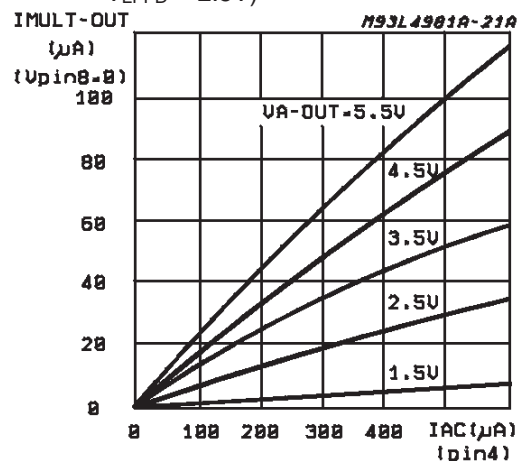


Figure 7: MULTI-OUT vs. I<sub>AC</sub> (V<sub>RMS</sub> = 4.4V; V<sub>LFFD</sub> = 2.5V)

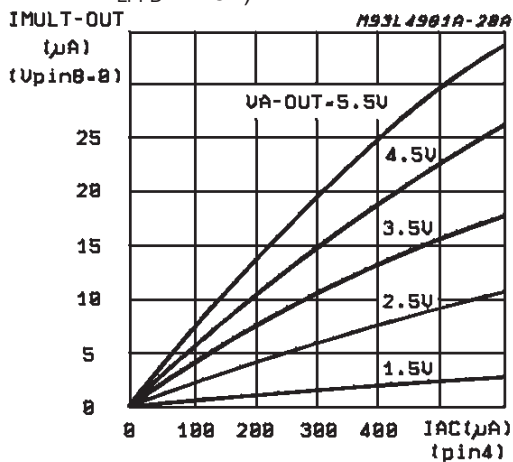
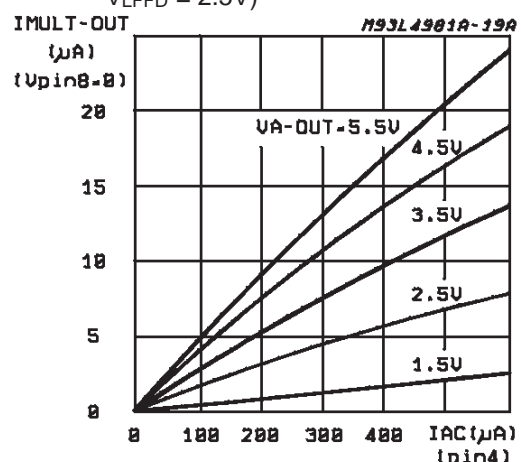
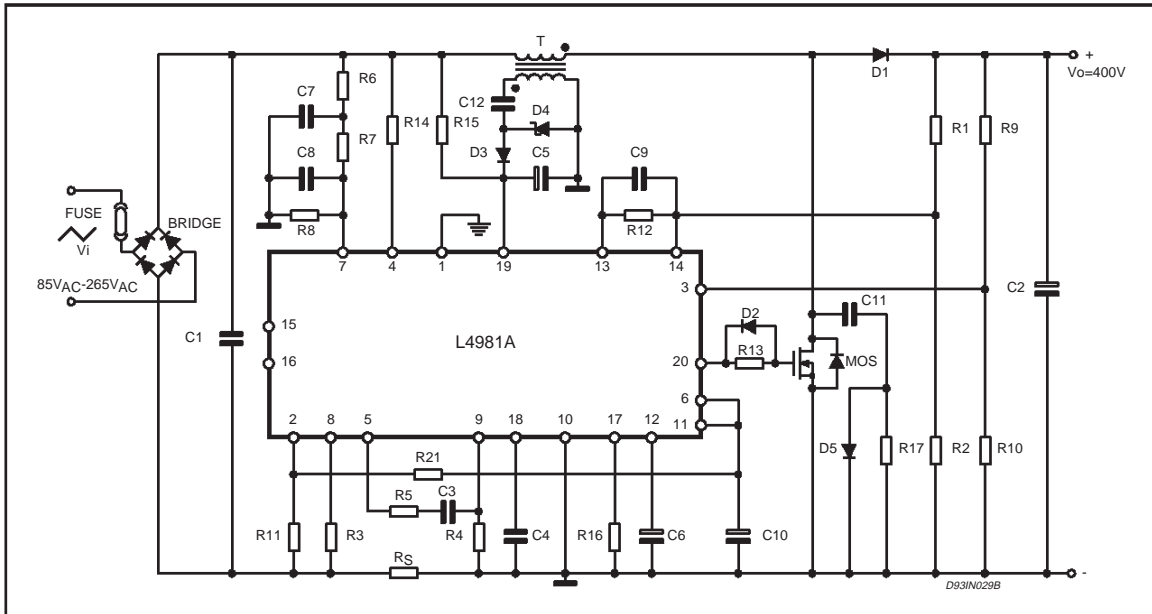


Figure 8: MULTI-OUT vs. I<sub>AC</sub> (V<sub>RMS</sub> = 5.3V; V<sub>LFFD</sub> = 2.5V)



## L4981A - L4981B

Figure 9A: L4981A Power Factor Corrector (200W)



### PART LIST

R <sub>S</sub>	0.07(3 x .22)	1/2W	5%
R1	820kΩ	1/4W	1%
R2	10kΩ	1/4W	1%
R3	1.8kΩ	1/4W	5%
R4	1.8kΩ	1/4W	5%
R5	18kΩ	1/4W	5%
R6	1.2MΩ	1/4W	5%
R7	360kΩ	1/4W	5%
R8	33kΩ	1/4W	5%
R9	1.8MΩ	1/4W	1%
R10	21kΩ	1/4W	1%
R11	402Ω	1/4W	1%
R12	120kΩ	1/4W	5%
R13	27Ω	1/4W	5%
R14	1MΩ	1/4W	1%
R15	120kΩ	1/2W	5%
R16	30kΩ	1/4W	5%
R17	1.8kΩ	4W	1%
R21	5.1kΩ	1/4W	1%
BRIDGE = 4 x P600M			

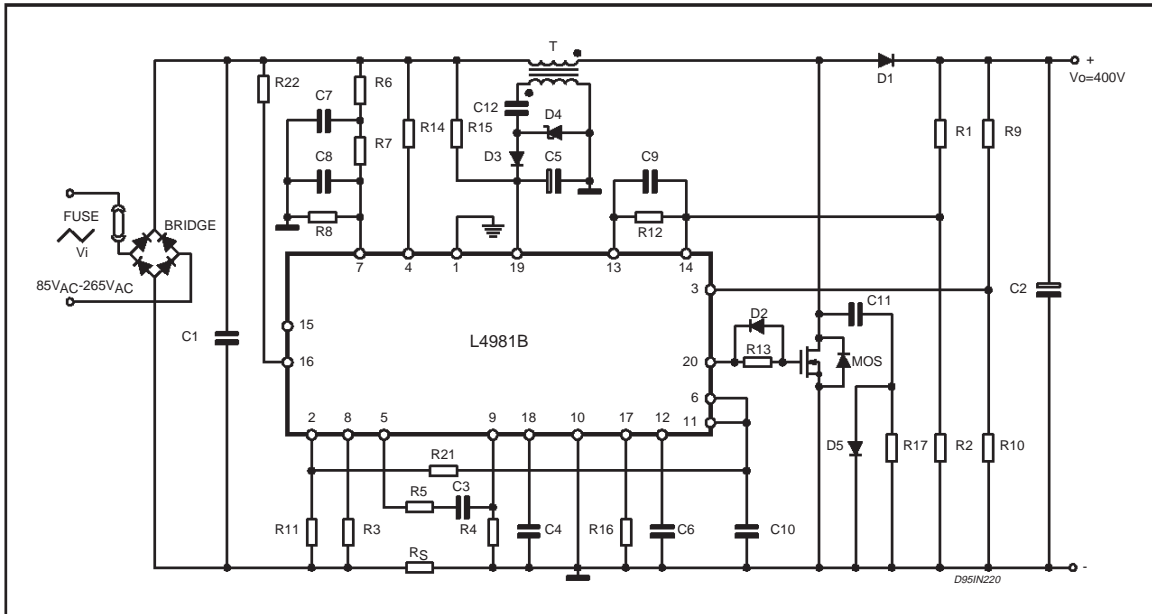
C1	470nF	400V
C2	100μF	450V
C3	2.2nF	
C4	1nF	
C5	100μF	25V
C6	1μF	16V
C7	220nF	63V
C8	220nF	63V
C9	330nF	
C10	1μF	16V
C11	270pF	400V
C12	8.2nF	100V
D1	STTA506D	
D2, D3	1N4148	
D4	18V	1/2W
D5	BYT11-600	
MOS	STH/STW15NA50	
FUSE = 4A/250V		

T = primary: 88 turns of 12 x 32 AWG (0.2mm)  
 secondary: 9 turns of # 27AWG (0.15mm)  
 core: B1ET3411A THOMSON - CSF  
 gap: 1.6mm for a total primary inductance of 0.9mH

f<sub>sw</sub> = 80kHz P<sub>O</sub> = 200W  
 V<sub>OUT</sub> = 400V I<sub>rms max</sub> = 2.53A  
 V<sub>OVP</sub> = 442V I<sub>PK max</sub> = 6.2A



Figure 9B: L4981B Power Factor Corrector (200W)



PART LIST

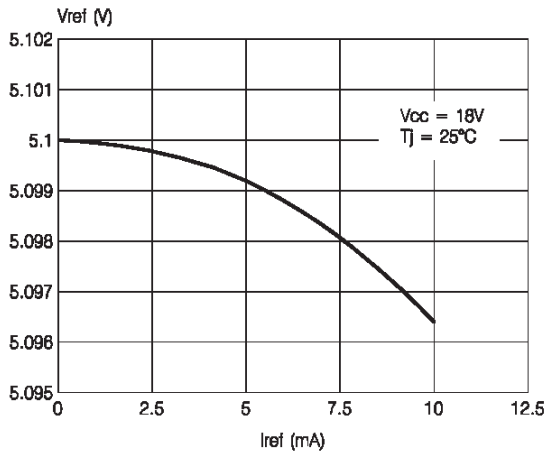
R <sub>S</sub>	0.07(3 x .22)	1/2W	5%
R1	820kΩ	1/4W	1%
R2	10kΩ	1/4W	1%
R3	1.8kΩ	1/4W	5%
R4	1.8kΩ	1/4W	5%
R5	18kΩ	1/4W	5%
R6	1.2MΩ	1/4W	5%
R7	360kΩ	1/4W	5%
R8	33kΩ	1/4W	5%
R9	1.8MΩ	1/4W	1%
R10	21kΩ	1/4W	1%
R11	402Ω	1/4W	1%
R12	120kΩ	1/4W	5%
R13	27Ω	1/4W	5%
R14	1MΩ	1/4W	1%
R15	120kΩ	1/2W	5%
R16	24kΩ	1/4W	5%
R17	1.8kΩ	4W	1%
R21	5.1kΩ	1/4W	1%
R22	1.1MΩ	1/4W	1%
BRIDGE = 4 x P600M			

C1	470nF	400V
C2	100μF	450V
C3	2.2nF	
C4	1.1nF	
C5	100μF	25V
C6	1μF	16V
C7	220nF	63V
C8	220nF	63V
C9	330nF	
C10	1μF	16V
C11	270pF	400V
C12	8.2nF	100V
D1	STTA506D	
D2, D3	1N4148	
D4	18V	1/2W
D5	BYT11-600	
MOS	STH/STW15NA50	
FUSE = 4A/250V		

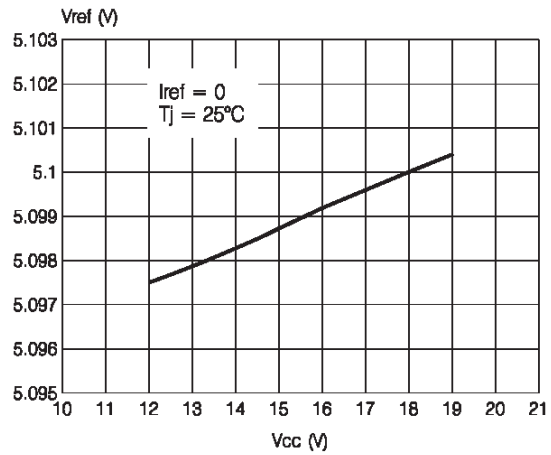
T = primary: 88 turns of 12 x 32 AWG (0.2mm)  
 secondary: 9 turns of # 27AWG (0.15mm)  
 core: B1ET3411A THOMSON - CSF  
 gap: 1.6mm for a total primary inductance of 0.9mH

f<sub>sw</sub> = 80 to 92kHz P<sub>O</sub> = 200W  
 V<sub>OUT</sub> = 400V I<sub>rms max</sub> = 2.53A  
 V<sub>OVP</sub> = 442V I<sub>PK max</sub> = 6.2A

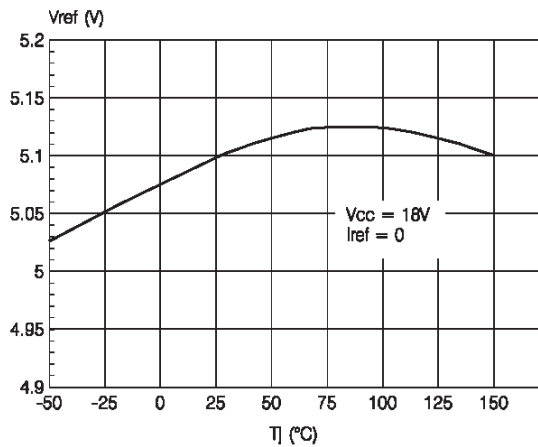
**Figure 10:** Reference Voltage vs. Source Reference Current



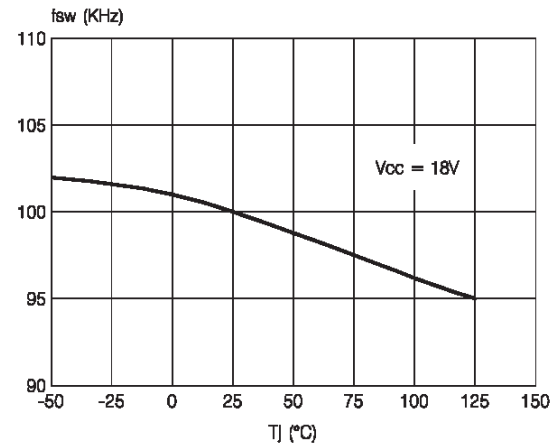
**Figure 11:** Reference Voltage vs. Supply Voltage



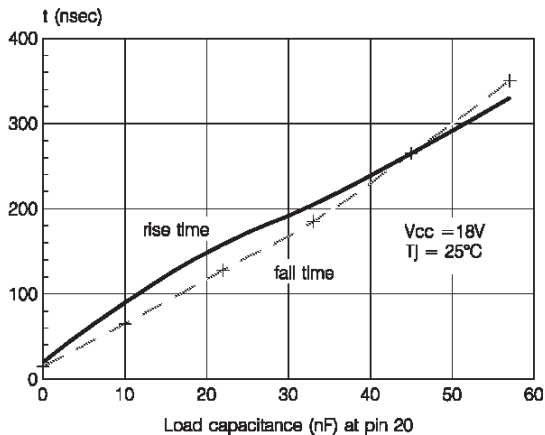
**Figure 12:** Reference Voltage vs. Junction Temperature



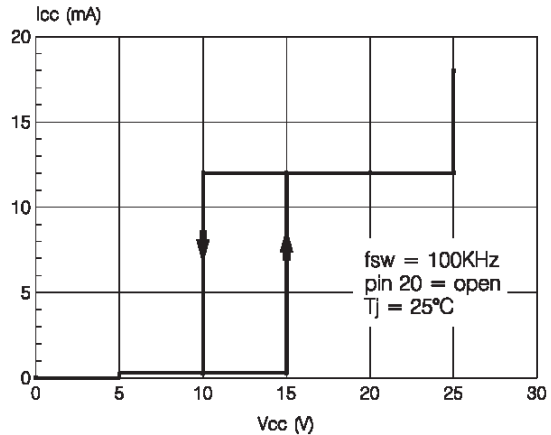
**Figure 13:** Switching Frequency vs. Junction Temperature



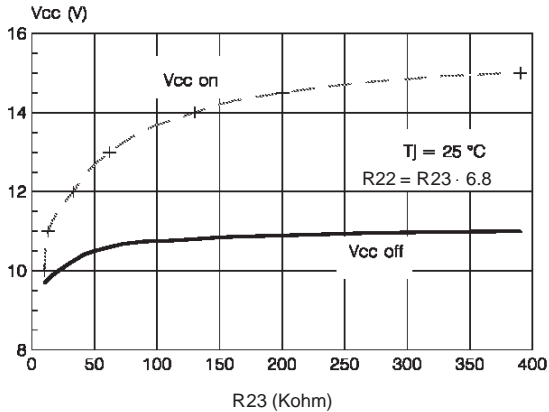
**Figure 14:** Gate Driver Rise and Fall Time



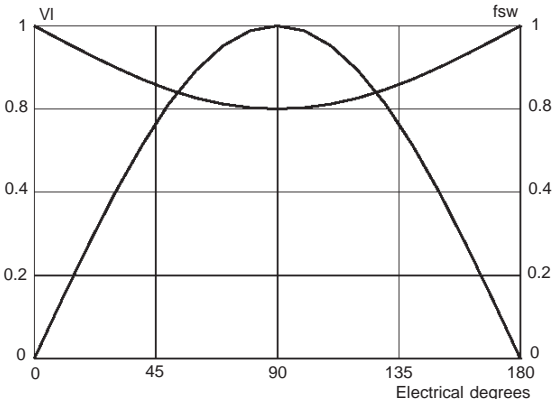
**Figure 15:** Operating Supply Current vs. Supply Voltage



**Figure 16:** Programmable Under Voltage Lock-out Thresholds



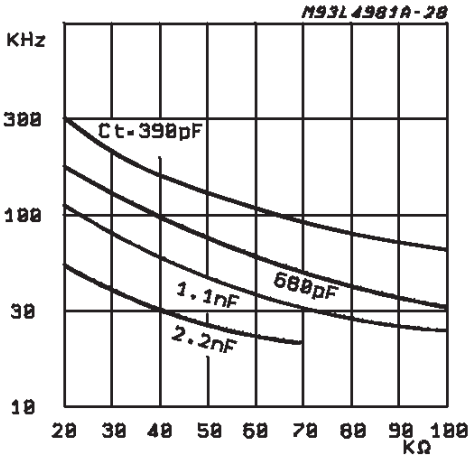
**Figure 17:** Modulation Frequency Normalized in an Half Cycle of the Mains Voltage



**Table 1:** Programmable Under Voltage Lockout Thresholds.

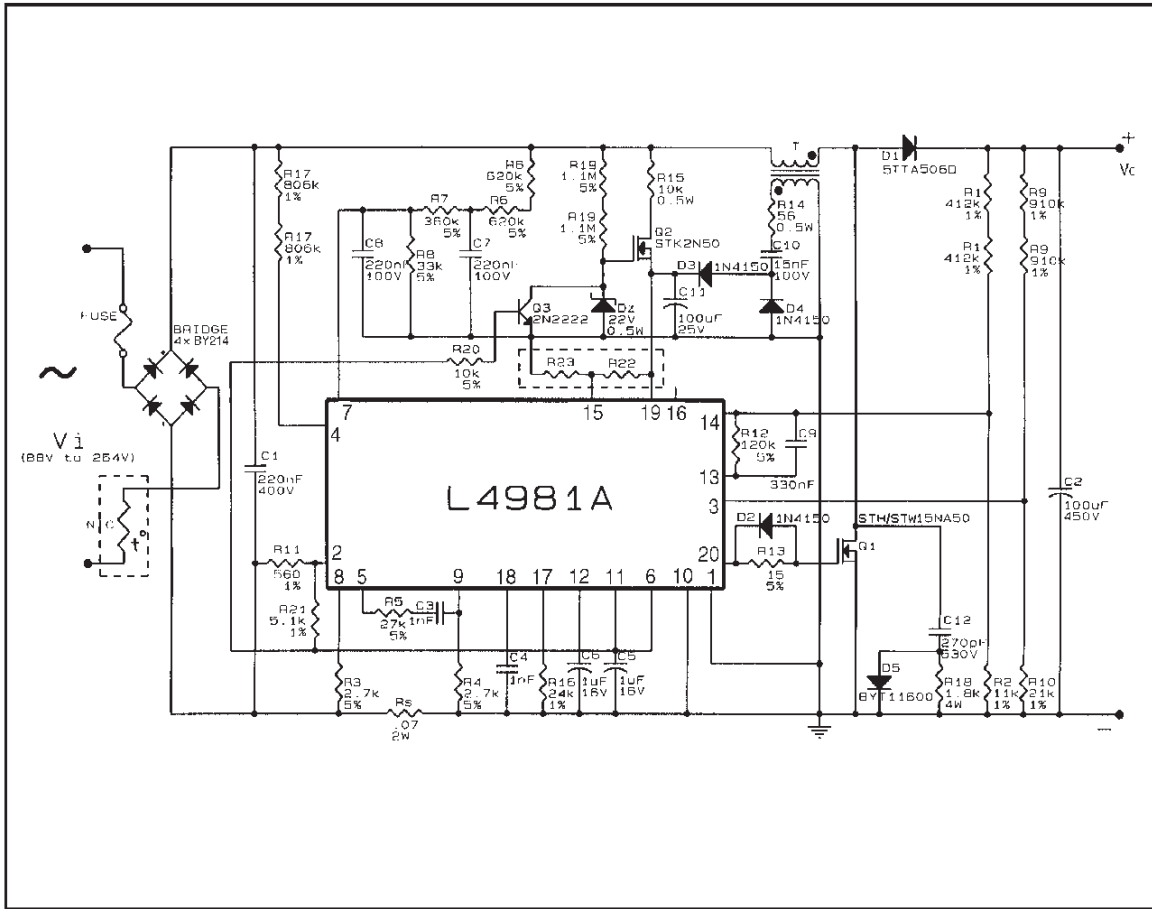
V <sub>CC ON</sub>	V <sub>CC OFF</sub>	R <sub>22</sub>	R <sub>23</sub>
11V	10V	82kΩ	12kΩ
12V	10.1V	220kΩ	33kΩ
13V	10.5V	430kΩ	62kΩ
14V	10.8V	909kΩ	133kΩ
14.5V	10.9V	1.36MΩ	200kΩ
15V	11V	2.7MΩ	390kΩ

**Figure 18:** Oscillator Diagram



## L4981A - L4981B

Figure 19: 200W Evaluation Board Circuit.



T= primary: 75 turns of litz wire 20 x 32 AWG (0.2mm)  
 secondary: 8 turns of # 27AWG (0.15mm)  
 core: B1ET3411A THOMSON - CSF  
 gap: 1.4mm for a total primary inductance of 0.7mH  
 $f_{sw} = 100\text{kHz}$ ;  $V_O = 400\text{V}$ ;  $P_O = 200\text{W}$

### NOTE:

#### Start Up Circuit

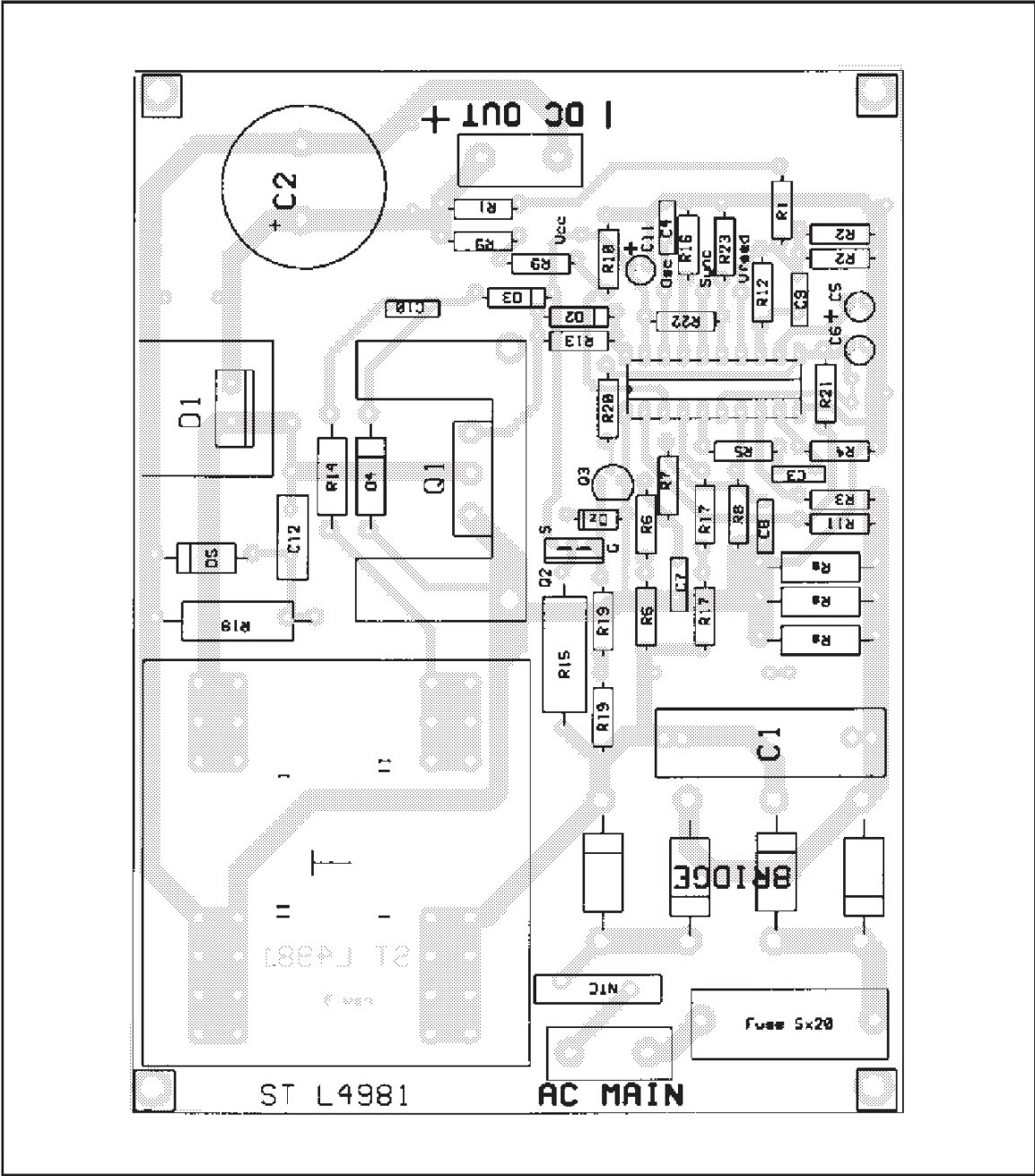
Usually the  $V_{cc}$  capacitor (C11 in fig. 19) can be charged by a resistor drawing current from the rectified mains. In the evaluation board instead the start up circuit composed by (Q2+R19+R15+Dz) has been designed to perform a fast and effective supply in all the conditions. Once that the L4981A/B has started, the reference

voltage available at pin 6 by R20 and Q3, ensures Q2 to be turned off.

#### Programmable Under voltage Lockout

The PCB allows to insert a couple of resistor (R22, R23) to modify the threshold input voltage. Please refer to fig. 16 and table 1.

Figure 20: P.C. Board and Component Layout of Evaluation Board Circuit (1:1 scale).



## L4981A - L4981B

The evaluation board has been designed using: a faster not dissipative start-up circuit, a diode (D2) to speed-up the MOS start-off time and (even if a single resistor can be used) an external divider to improve the precision of the overcurrent threshold.

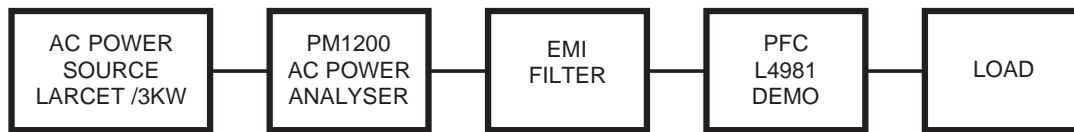
Further there is a possibility to change the input threshold voltage using an external divider (R23 and R22) and if an inrush current problem arises

a NTC resistor can be used.

The PFC demoboard performances has been evaluated testing the following parameters:

PF (power factor), A-THD (percentage of current total harmonic distortion), H3..H9 (percentage of current's  $n^{\text{th}}$  harmonic amplitude),  $\Delta V_o$  (output voltage ripple),  $V_o$  (output voltage),  $\eta$  (efficiency).

The test configuration, equipments and results are:



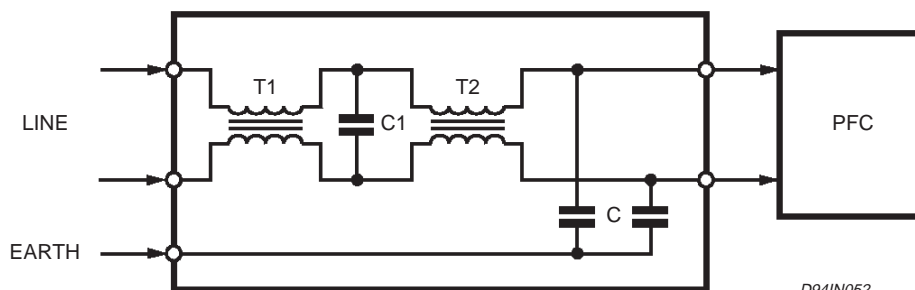
D94IN057

$V_i$	$f$	$P_i$	PF	A-THD	H3	H5	H7	H9	$V_o$	$\Delta V_o$	PO	$\eta$
(V <sub>rms</sub> )	(Hz)	(W)		(%)	(%)	(%)	(%)	(%)	(V)	(V)	(W)	(%)
88	60	222	0.999	2.94	1.98	0.61	0.55	0.70	390	8	200	90.2
110	60	220	0.999	1.79	1.40	0.40	0.31	0.28	392	8	201	91.6
132	60	218	0.999	1.71	1.16	0.40	0.35	0.31	394	8	202	92.8
180	50	217	0.999	1.88	1.52	0.65	0.40	0.34	396	8	203	93.8
220	50	217	0.997	2.25	1.68	0.83	0.57	0.48	398	8	204	94.2
260	50	216	0.995	3.30	1.84	1.30	0.39	0.73	400	8	205	95.2

### EMI/RFI FILTER

The harmonic content measurement has been done using an EMI/RFI filter interposed between

the AC source and the demoboard under test, while the efficiency has been calculated without the filter contribution.



D94IN052

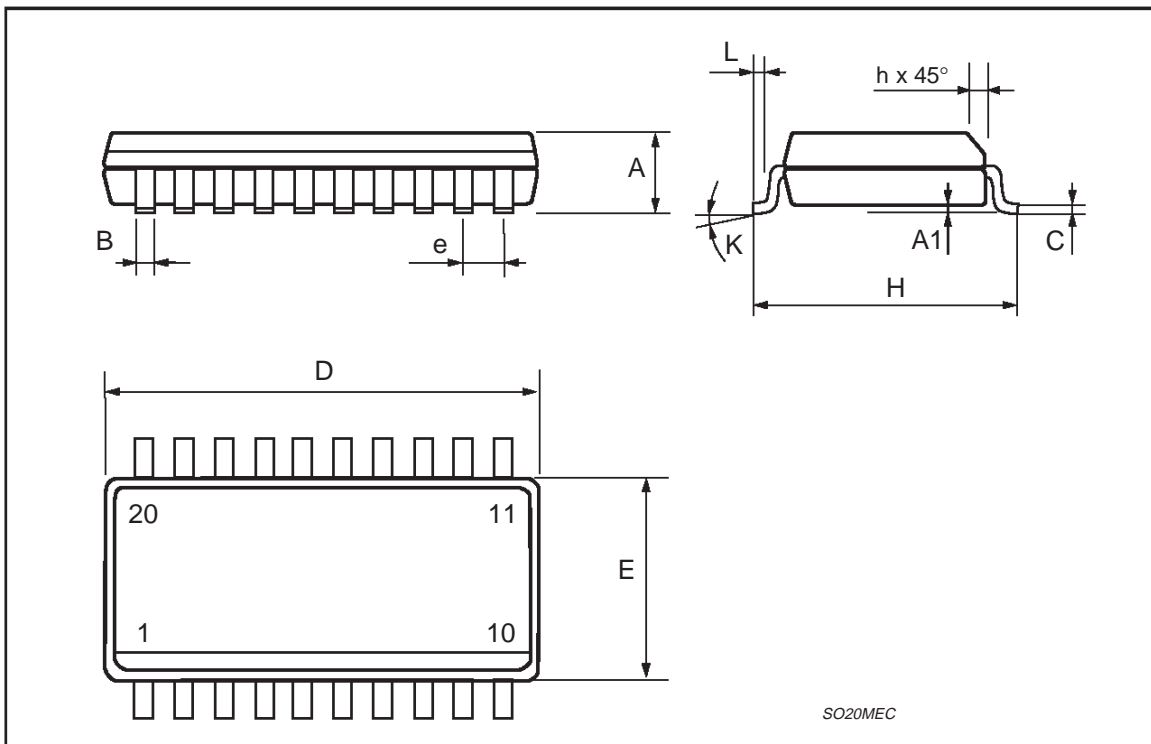
where:

$T1 = 1\text{mH}$        $C1 = 0.33\mu\text{F}, 630\text{V}$

$T2 = 27\text{mH}$       $C2 = 2.2\text{nF}, 630\text{V}$

## SO20 PACKAGE MECHANICAL DATA

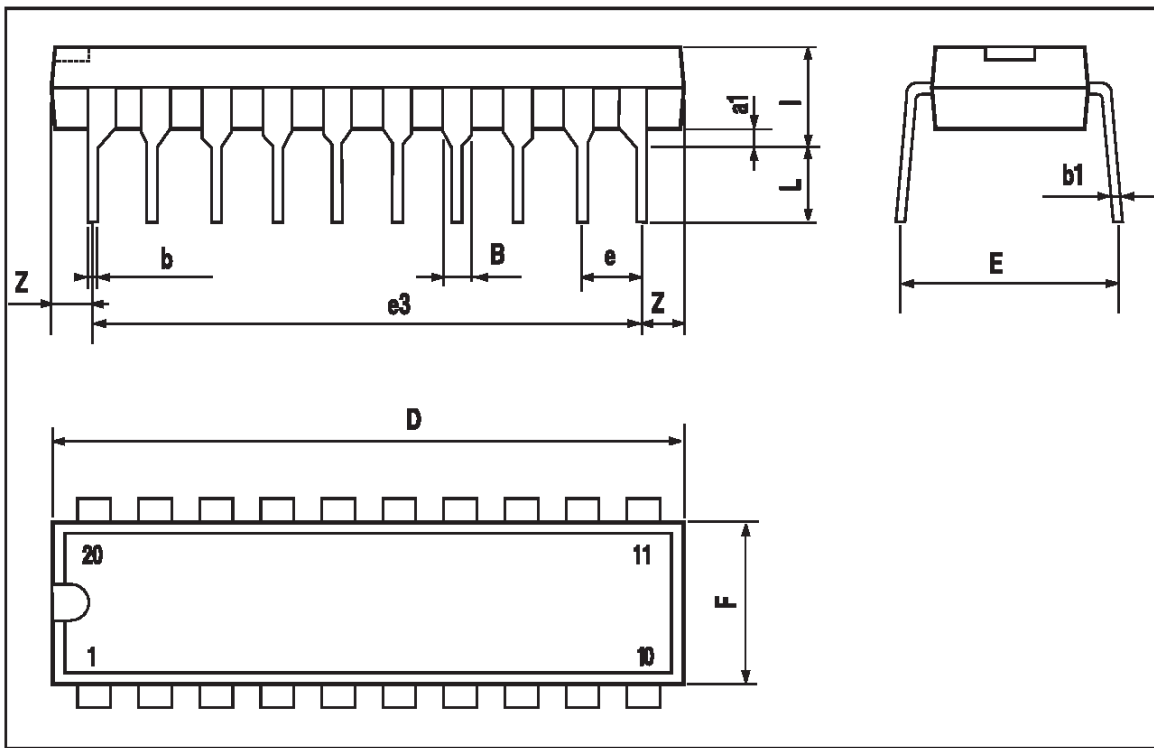
DIM.	mm			inch		
	MIN.	TYP.	MAX.	MIN.	TYP.	MAX.
A	2.35		2.65	0.093		0.104
A1	0.1		0.3	0.004		0.012
B	0.33		0.51	0.013		0.020
C	0.23		0.32	0.009		0.013
D	12.6		13	0.496		0.512
E	7.4		7.6	0.291		0.299
e		1.27			0.050	
H	10		10.65	0.394		0.419
h	0.25		0.75	0.010		0.030
L	0.4		1.27	0.016		0.050
K	0 (min.)8 (max.)					



# L4981A - L4981B

## DIP20 PACKAGE MECHANICAL DATA

DIM.	mm			inch		
	MIN.	TYP.	MAX.	MIN.	TYP.	MAX.
a1	0.254			0.010		
B	1.39		1.65	0.055		0.065
b		0.45			0.018	
b1		0.25			0.010	
D			25.4			1.000
E		8.5			0.335	
e		2.54			0.100	
e3		22.86			0.900	
F			7.1			0.280
l			3.93			0.155
L		3.3			0.130	
Z			1.34			0.053





Information furnished is believed to be accurate and reliable. However, STMicroelectronics assumes no responsibility for the consequences of use of such information nor for any infringement of patents or other rights of third parties which may result from its use. No license is granted by implication or otherwise under any patent or patent rights of STMicroelectronics. Specification mentioned in this publication are subject to change without notice. This publication supersedes and replaces all information previously supplied. STMicroelectronics products are not authorized for use as critical components in life support devices or systems without express written approval of STMicroelectronics.

The ST logo is a registered trademark of STMicroelectronics

© 1998 STMicroelectronics – Printed in Italy – All Rights Reserved

STMicroelectronics GROUP OF COMPANIES

Australia - Brazil - Canada - China - France - Germany - Italy - Japan - Korea - Malaysia - Malta - Mexico - Morocco - The Netherlands - Singapore - Spain - Sweden - Switzerland - Taiwan - Thailand - United Kingdom - U.S.A.

