

Features

- Single 3.3V ± 10% Supply
- Fast Read Access Time - 200 ns
- Automatic Page Write Operation
 - Internal Address and Data Latches for 128-Bytes
 - Internal Control Timer
- Fast Write Cycle Time
 - Page Write Cycle Time - 10 ms Maximum
 - 1 to 128-Byte Page Write Operation
- Low Power Dissipation
 - 15 mA Active Current
 - 20 µA CMOS Standby Current
- Hardware and Software Data Protection
- DATA Polling for End of Write Detection
- High Reliability CMOS Technology
 - Endurance: 100,000K Cycles
 - Data Retention: 10 Years
- JEDEC Approved Byte-Wide Pinout
- Commercial and Industrial Temperature Ranges

Description

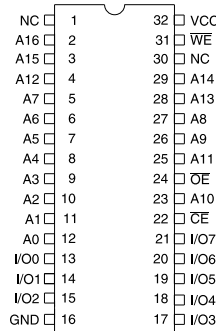
The AT28LV010 is a high-performance 3-volt only Electrically Erasable and Programmable Read Only Memory. Its 1 megabit of memory is organized as 131,072 words by 8 bits. Manufactured with Atmel's advanced nonvolatile CMOS technology, the device offers access times to 200 ns with power dissipation of just 54 mW. When the device is deselected, the CMOS standby current is less than 20 µA.

Pin Configurations

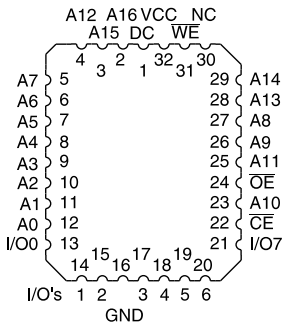
(continued)

Pin Name	Function
A0 - A16	Addresses
$\overline{\text{CE}}$	Chip Enable
$\overline{\text{OE}}$	Output Enable
$\overline{\text{WE}}$	Write Enable
I/O0 - I/O7	Data Inputs/Outputs
NC	No Connect
DC	Don't Connect

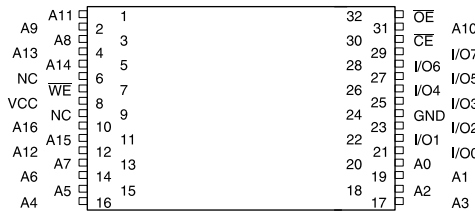
PDIP
Top View



PLCC
Top View



TSOP
Top View

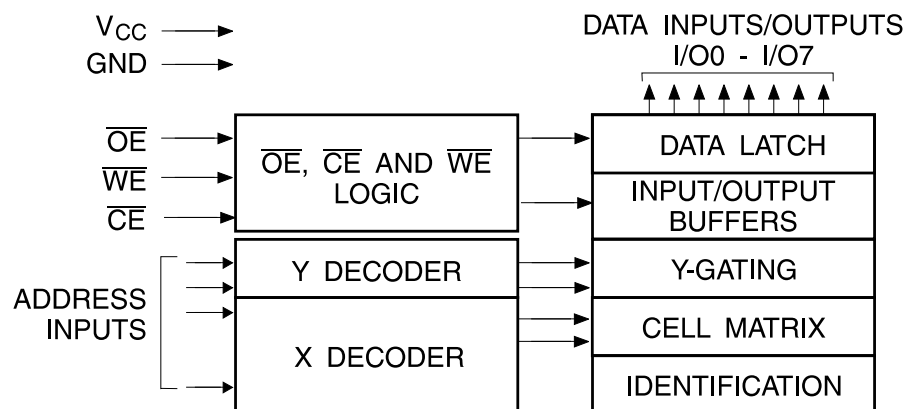


Description (Continued)

The AT28LV010 is accessed like a Static RAM for the read or write cycle without the need for external components. The device contains a 128-byte page register to allow writing of up to 128-bytes simultaneously. During a write cycle, the address and 1 to 128-bytes of data are internally latched, freeing the address and data bus for other operations. Following the initiation of a write cycle, the device will automatically write the latched data using an internal control timer. The end of a write cycle can be detected by DATA polling of I/O7. Once the end of a write cycle has been detected a new access for a read or write can begin.

Atmel's 28LV010 has additional features to ensure high quality and manufacturability. The device utilizes internal error correction for extended endurance and improved data retention characteristics. Software data protection is implemented to guard against inadvertent writes. The device also includes an extra 128-bytes of E²PROM for device identification or tracking.

Block Diagram



Absolute Maximum Ratings*

Temperature Under Bias.....	-55°C to +125°C
Storage Temperature.....	-65°C to +150°C
All Input Voltages (including NC Pins) with Respect to Ground	-0.6V to +6.25V
All Output Voltages with Respect to Ground	-0.6V to $V_{CC} + 0.6V$
Voltage on \overline{OE} and A9 with Respect to Ground	-0.6V to +13.5V

*NOTICE: Stresses beyond those listed under "Absolute Maximum Ratings" may cause permanent damage to the device. This is a stress rating only and functional operation of the device at these or any other conditions beyond those indicated in the operational sections of this specification is not implied. Exposure to absolute maximum rating conditions for extended periods may affect device reliability.

Device Operation

READ: The AT28LV010 is accessed like a Static RAM. When \overline{CE} and \overline{OE} are low and \overline{WE} is high, the data stored at the memory location determined by the address pins is asserted on the outputs. The outputs are put in the high impedance state when either \overline{CE} or \overline{OE} is high. This dual-line control gives designers flexibility in preventing bus contention in their system.

WRITE: The write operation of the AT28LV010 allows 1 to 128-bytes of data to be written into the device during a single internal programming period. Each write operation must be preceded by the software data protection (SDP) command sequence. This sequence is a series of three unique write command operations that enable the internal write circuitry. The command sequence and the data to be written must conform to the software protected write cycle timing. Addresses are latched on the falling edge of \overline{WE} or \overline{CE} , whichever occurs last and data is latched on the rising edge of \overline{WE} or \overline{CE} , whichever occurs first. Each successive byte must be written within 150 μs (t_{BLC}) of the previous byte. If the t_{BLC} limit is exceeded the AT28LV010 will cease accepting data and commence the internal programming operation. If more than one data byte is to be written during a single programming operation, they must reside on the same page as defined by the state of the A7 - A16 inputs. For each \overline{WE} high to low transition during the page write operation, A7 - A16 must be the same.

The A0 to A6 inputs are used to specify which bytes within the page are to be written. The bytes may be loaded in any order and may be altered within the same load period. Only bytes which are specified for writing will be written; unnecessary cycling of other bytes within the page does not occur.

DATA POLLING: The AT28LV010 features \overline{DATA} Polling to indicate the end of a write cycle. During a byte or page write cycle an attempted read of the last byte written will result in the complement of the written data to be presented on I/O7. Once the write cycle has been completed, true data is valid on all outputs, and the next write cycle may begin. \overline{DATA} Polling may begin at anytime during the write cycle.

TOGGLE BIT: In addition to \overline{DATA} Polling the AT28LV010 provides another method for determining the end of a write cycle. During the write operation, successive attempts to read data from the device will result in I/O6 toggling between one and zero. Once the write has completed, I/O6 will stop toggling and valid data will be read. Reading the toggle bit may begin at any time during the write cycle.

DATA PROTECTION: If precautions are not taken, inadvertent writes may occur during transitions of the host system power supply. Atmel has incorporated both hardware and software features that will protect the memory against inadvertent writes.

HARDWARE PROTECTION: Hardware features protect against inadvertent writes to the AT28LV010 in the following ways: (a) V_{CC} power-on delay - once V_{CC} has reached 2.0V (typical) the device will automatically time out 5 ms (typical) before allowing a write; (b) write inhibit - holding any one of \overline{OE} low, \overline{CE} high or \overline{WE} high inhibits write cycles; (c) noise filter - pulses of less than 15 ns (typical) on the \overline{WE} or \overline{CE} inputs will not initiate a write cycle.

SOFTWARE DATA PROTECTION: The AT28LV010 incorporates the industry standard software data protection (SDP) function. Unlike standard 5-volt only $E^2\text{PROM}$'s, the AT28LV010 has SDP enabled at all times. Therefore, all write operations must be preceded by the SDP command sequence.

The data in the 3-byte command sequence is not written to the device; the addresses in the command sequence can be utilized just like any other location in the device. Any attempt to write to the device without the 3-byte sequence will start the internal timers. No data will be written to the device. However, for the duration of t_{WC} , read operations will effectively be polling operations.

DC and AC Operating Range

		AT28LV010-20	AT28LV010-25
Operating Temperature (Case)	Com.	0°C - 70°C	0°C - 70°C
	Ind.	-40°C - 85°C	-40°C - 85°C
V _{CC} Power Supply		3.3V ± 5%	3.3V ± 10%

Operating Modes

Mode	\overline{CE}	\overline{OE}	\overline{WE}	I/O
Read	V _{IL}	V _{IL}	V _{IH}	D _{OUT}
Write ⁽²⁾	V _{IL}	V _{IH}	V _{IL}	D _{IN}
Standby/Write Inhibit	V _{IH}	X ⁽¹⁾	X	High Z
Write Inhibit	X	X	V _{IH}	
Write Inhibit	X	V _{IL}	X	
Output Disable	X	V _{IH}	X	High Z

Notes: 1. X can be V_{IL} or V_{IH}.
2. Refer to AC Programming Waveforms.

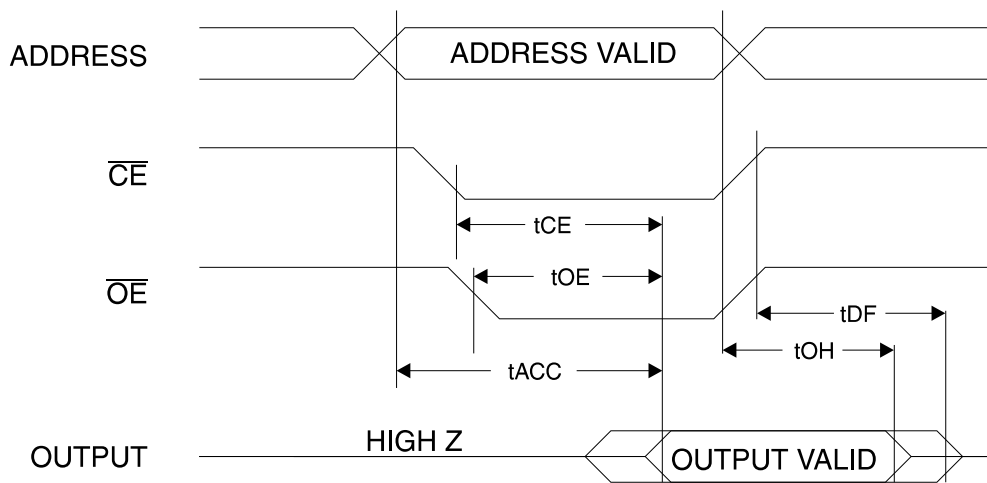
DC Characteristics

Symbol	Parameter	Condition	Min	Max	Units
I _{LI}	Input Load Current	V _{IN} = 0V to V _{CC}		1	μA
I _{LO}	Output Leakage Current	V _{I/O} = 0V to V _{CC}		1	μA
I _{SB}	V _{CC} Standby Current CMOS	$\overline{CE} = V_{CC} - 0.3V$ to V _{CC} + 1V	Com.	20	μA
			Ind.	50	μA
I _{CC}	V _{CC} Active Current	f = 5 MHz; I _{OUT} = 0 mA; V _{CC} = 3.6V		15	mA
V _{IL}	Input Low Voltage			0.8	V
V _{IH}	Input High Voltage		2.0		V
V _{OL}	Output Low Voltage	I _{OL} = 1.6 mA; V _{CC} = 3.0V		.45	V
V _{OH}	Output High Voltage	I _{OH} = -100 μA; V _{CC} = 3.0V	2.4		V

AC Read Characteristics

Symbol	Parameter	AT28LV010-20		AT28LV010-25		Units
		Min	Max	Min	Max	
t_{ACC}	Address to Output Delay		200		250	ns
$t_{CE}^{(1)}$	\overline{CE} to Output Delay		200		250	ns
$t_{OE}^{(2)}$	\overline{OE} to Output Delay	0	80	0	100	ns
$t_{DF}^{(3,4)}$	\overline{CE} or \overline{OE} to Output Float	0	55	0	60	ns
t_{OH}	Output Hold from \overline{OE} , \overline{CE} or Address, whichever occurred first	0		0		ns

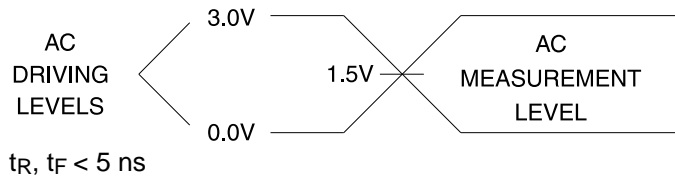
AC Read Waveforms (1, 2, 3, 4)



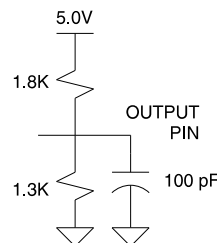
- Notes:
- \overline{CE} may be delayed up to $t_{ACC} - t_{CE}$ after the address transition without impact on t_{ACC} .
 - \overline{OE} may be delayed up to $t_{CE} - t_{OE}$ after the falling edge of \overline{CE} without impact on t_{CE} or by $t_{ACC} - t_{OE}$ after an address change without impact on t_{ACC} .

- t_{DF} is specified from \overline{OE} or \overline{CE} whichever occurs first ($C_L = 5\text{pF}$).
- This parameter is characterized and is not 100% tested.

Input Test Waveforms and Measurement Level



Output Test Load



Pin Capacitance ($f = 1\text{ MHz}$, $T = 25^\circ\text{C}$) ⁽¹⁾

	Typ	Max	Units	Conditions
C_{IN}	4	6	pF	$V_{IN} = 0\text{V}$
C_{OUT}	8	12	pF	$V_{OUT} = 0\text{V}$

Note: 1. This parameter is characterized and is not 100% tested.

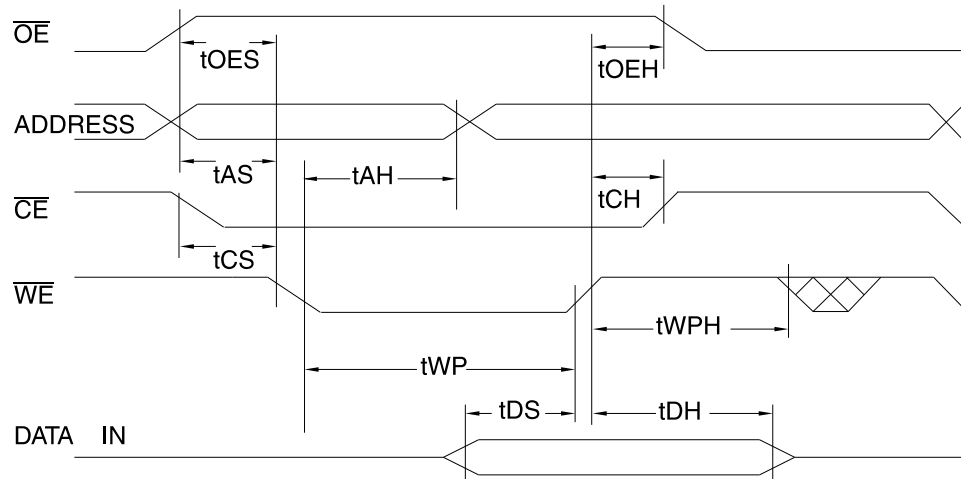
AC Write Characteristics ⁽¹⁾

Symbol	Parameter	Min	Max	Units
t_{AS}, t_{OES}	Address, \overline{OE} Set-up Time	0		ns
t_{AH}	Address Hold Time	100		ns
t_{CS}	Chip Select Set-up Time	0		ns
t_{CH}	Chip Select Hold Time	0		ns
t_{WP}	Write Pulse Width (\overline{WE} or \overline{CE})	200		ns
t_{DS}	Data Set-up Time	100		ns
t_{DH}, t_{OEH}	Data, \overline{OE} Hold Time	10		ns

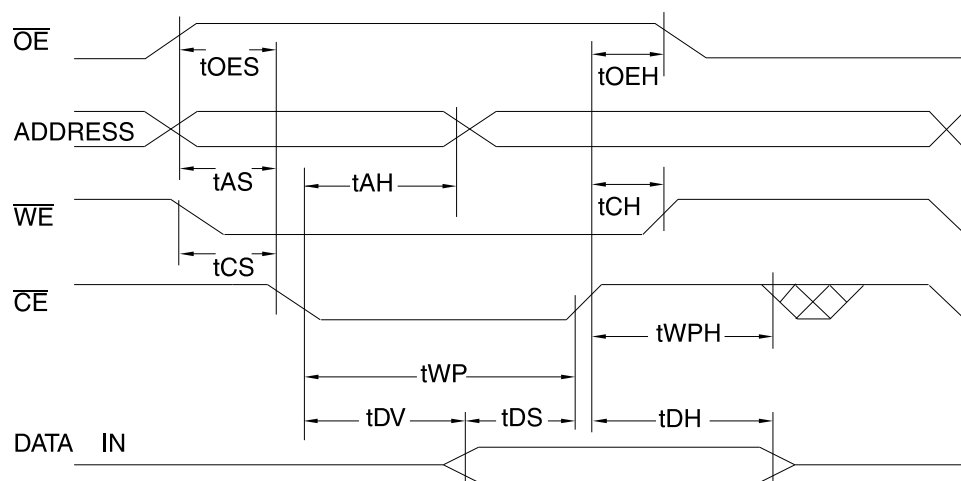
Note: 1. All write operations must be preceded by the SDP command sequence.

AC Write Waveforms

\overline{WE} Controlled



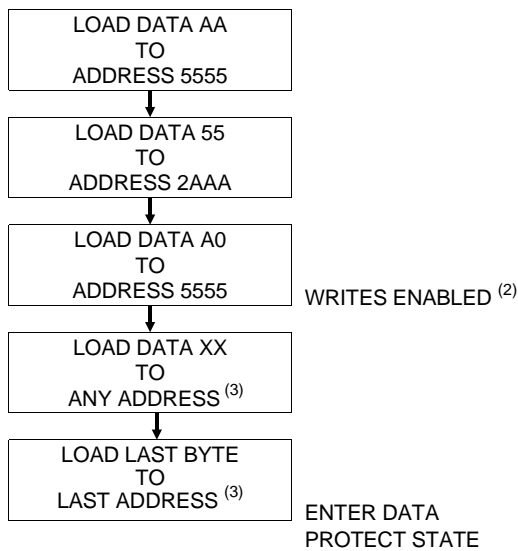
\overline{CE} Controlled



Software Protected Write Characteristics

Symbol	Parameter	Min	Max	Units
t _{WC}	Write Cycle Time		10	ms
t _{AS}	Address Set-up Time	0		ns
t _{AH}	Address Hold Time	100		ns
t _{DS}	Data Set-up Time	100		ns
t _{DH}	Data Hold Time	10		ns
t _{WP}	Write Pulse Width	200		ns
t _{BLC}	Byte Load Cycle Time		150	μs
t _{WPH}	Write Pulse Width High	100		ns

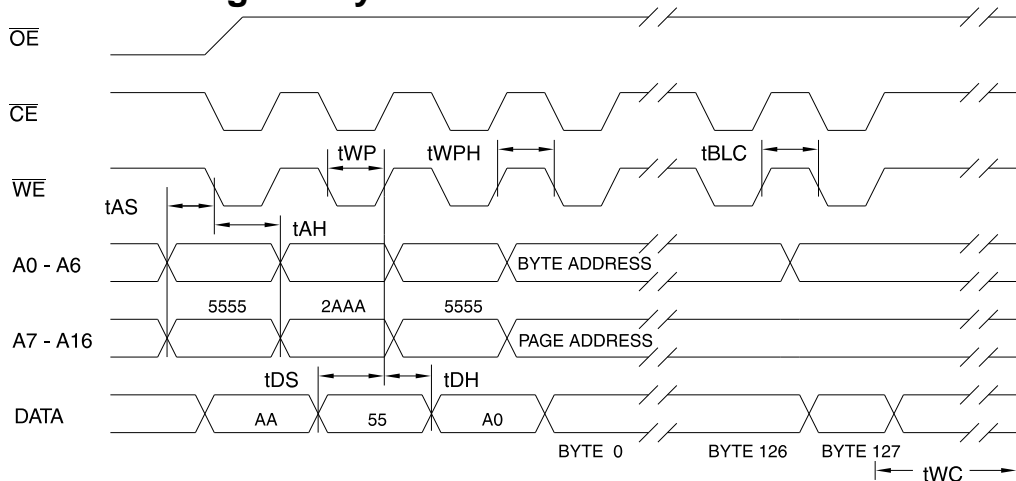
Programming Algorithm



Notes:

1. Data Format: I/O7 - I/O0 (Hex);
Address Format: A14 - A0 (Hex).
2. Data protect state will be re-activated at the end of program cycle.
3. 1 to 128-bytes of data are loaded.

Software Protected Program Cycle Waveforms (1, 2, 3)



- Notes:
1. A0 - A14 must conform to the addressing sequence for the first 3-bytes as shown above.
 2. After the command sequence has been issued and a page write operation follows, the page address inputs (A7 - A16) must be the same for each high to low transition of WE (or CE).
 3. OE must be high only when WE and CE are both low.

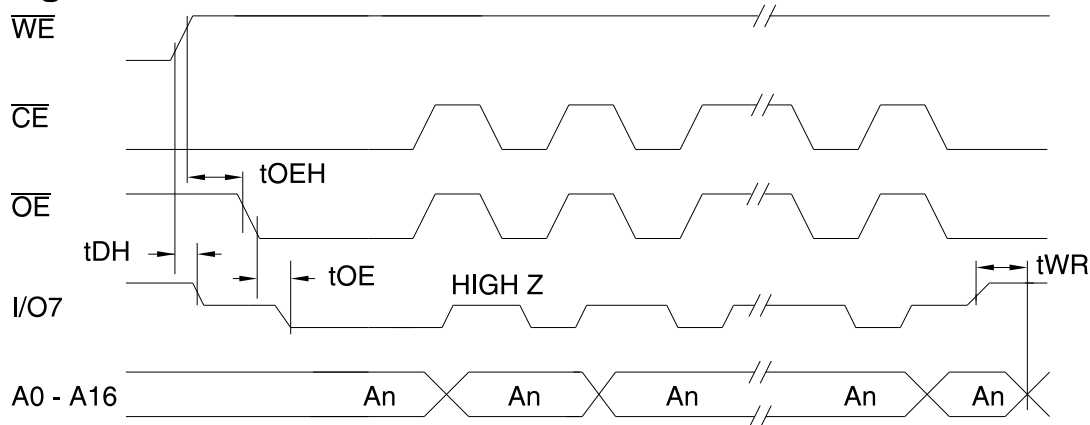
Data Polling Characteristics ⁽¹⁾

Symbol	Parameter	Min	Typ	Max	Units
t _{DH}	Data Hold Time	10			ns
t _{OEH}	\overline{OE} Hold Time	10			ns
t _{OE}	\overline{OE} to Output Delay ⁽²⁾				ns
t _{WR}	Write Recovery Time	0			ns

Notes: 1. These parameters are characterized and not 100% tested.

2. See AC Read Characteristics.

Data Polling Waveforms



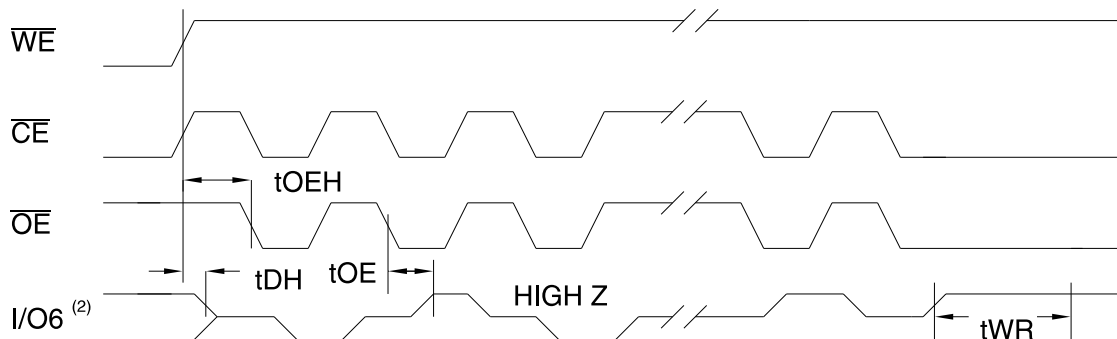
Toggle Bit Characteristics ⁽¹⁾

Symbol	Parameter	Min	Typ	Max	Units
t _{DH}	Data Hold Time	10			ns
t _{OEH}	\overline{OE} Hold Time	10			ns
t _{OE}	\overline{OE} to Output Delay ⁽²⁾				ns
t _{OEHP}	\overline{OE} High Pulse	150			ns
t _{WR}	Write Recovery Time	0			ns

Notes: 1. These parameters are characterized and not 100% tested.

2. See AC Read Characteristics.

Toggle Bit Waveforms



Notes: 1. Toggling either \overline{OE} or \overline{CE} or both \overline{OE} and \overline{CE} will operate toggle bit.

2. Beginning and ending state of I/O6 will vary.

3. Any address location may be used but the address should not vary.

Ordering Information ⁽¹⁾

t _{ACC} (ns)	I _{CC} (mA)		Ordering Code	Package	Operation Range
	Active	Standby			
200	15	0.2	AT28LV010-20JC AT28LV010-20PC AT28LV010-20TC	32J 32P6 32T	Commercial (0° to 70°C)
	15	0.2	AT28LV010-20JI AT28LV010-20PI AT28LV010-20TI	32J 32P6 32T	Industrial (-40° to 85°C)
250	15	0.2	AT28LV010-25JC AT28LV010-25PC AT28LV010-25TC	32J 32P6 32T	Commercial (0° to 70°C)
	15	0.2	AT28LV010-25JI AT28LV010-25PI AT28LV010-25TI	32J 32P6 32T	Industrial (-40° to 85°C)

Note: 1. See Valid Part Number table below.

Valid Part Numbers

The following table lists standard Atmel products that can be ordered.

Device Numbers	Speed	Package and Temperature Combinations
AT28LV010	20	JC, JI, PC, PI, TC, TI
AT28LV010	25	JC, JI, PC, PI, TC, TI

Package Type	
32J	32 Lead, Plastic J-Leaded Chip Carrier (PLCC)
32P6	32 Lead, 0.600" Wide, Plastic Dual Inline Package (PDIP)
32T	32 Lead, Plastic Thin Small Outline Package (TSOP)

