

# KA3303/KA3403

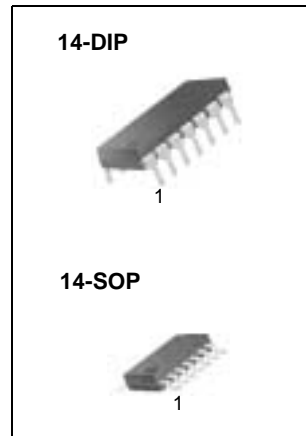
## Quad Operational Amplifier

### Features

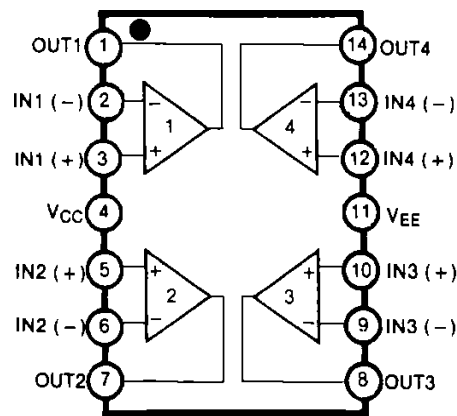
- Output voltage can swing to GND or negative supply
- Wide power supply range;
- Single supply of 3.0V to 36V
- Dual supply of  $\pm 1.5V$  to  $\pm 18V$
- Electrical characteristics similar to the KA741
- Class AB output stage for minimal crossover distortion
- Short circuit protected output.

### Description

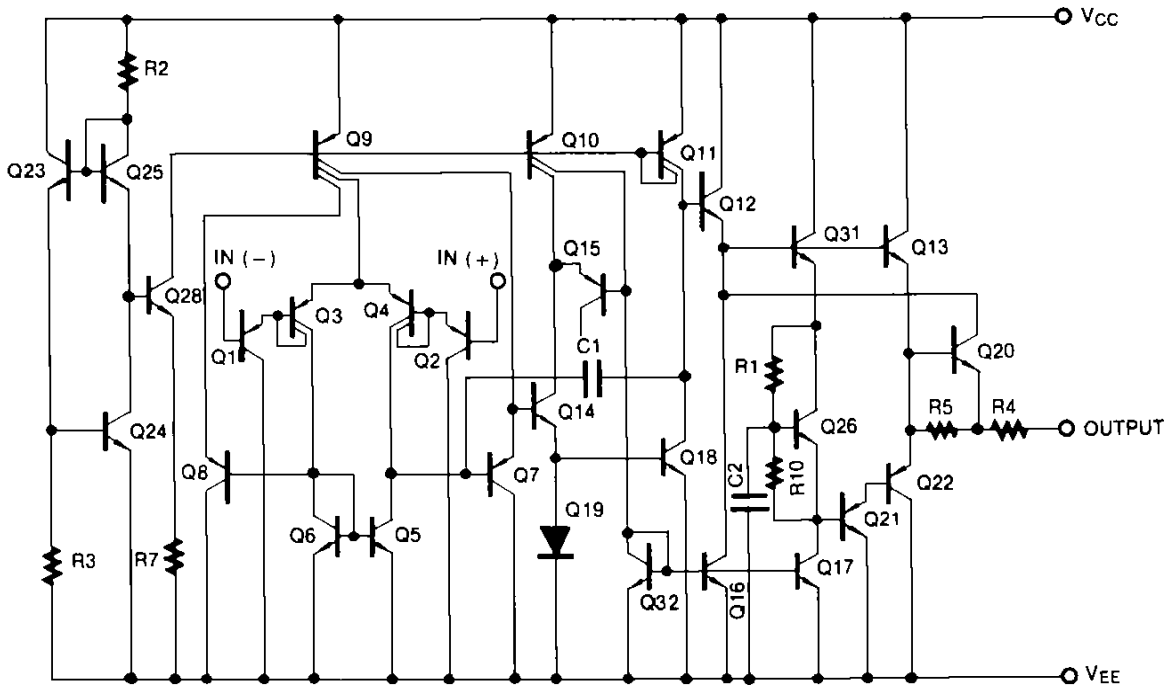
The KA3303 series is a monolithic Quad operational amplifier consisting of four independent amplifiers. The device has high gain, internally frequency compensated operational amplifiers designed to operate from a single power supply or dual power supplies over a wide range of voltages. The common mode input range includes the negative supply, thereby eliminating the necessity for external biasing components in many applications.



### Internal Block Diagram



## Schematic Diagram



## Absolute Maximum Ratings

Parameter	Symbol	Value	Unit
Supply Voltage	VCC	$\pm 18$ or $+36$	V
Differential Input Voltage	$V_I(\text{DIFF})$	36	V
Input Voltage	$V_I$	$\pm 18$	V
Output Short Circuit Duration	-	Continuous	-
Power Dissipation	PD	670	mW
Operating Temperature			
KA3303	TOPR	$-40 \sim +85$	$^{\circ}\text{C}$
KA3403		$0 \sim +70$	$^{\circ}\text{C}$
Storage Temperature	TSTG	$-65 \sim +150$	$^{\circ}\text{C}$

## Electrical Characteristics

(VCC = +15V, VEE = -15V for KA3403, VCC = +14V, VEE = GND for KA3303, TA = 25 °C, unless otherwise specified)

Parameter	Symbol	Conditions	KA3303			KA3403			Unit
			Min.	Typ.	Max.	Min.	Typ.	Max.	
Input Offset Voltage	V <sub>IO</sub>	-	-	1.5	8.0	-	1.5	10	mV
		Note1	-	-	10	-	-	12	
Input Offset Current	I <sub>IO</sub>	-	-	5	75	-	5	50	nA
		Note1	-	-	150	-	-	100	
Input Bias Current	I <sub>BIAS</sub>	-	-	30	200	-	30	200	nA
		Note1	-	-	500	-	-	400	
Large Signal Voltage Gain	G <sub>V</sub>	V <sub>O(P-P)</sub> = ±10V	20	200	-	20	200	-	V/mV
		R <sub>L</sub> = 2KΩ	Note1	15	-	-	15	-	
Input Impedance	R <sub>I</sub>	-	0.3	1.0	-	0.3	1.0	-	MΩ
Output Voltage Swing	V <sub>O(P-P)</sub>	R <sub>L</sub> = 10KΩ	+12	+12.5	-	±12	±13.5	-	V
		R <sub>L</sub> = 2KΩ	+10	+12	-	±10	±13	-	
		R <sub>L</sub> = 2KΩ	Note1	+10	-	-	±10	-	
Input Common Mode Voltage Range	V <sub>I(R)</sub>	-	12V -VEE	12.5V -VEE	-	13V -VEE	13.5V -VEE	-	V
Common Mode Rejection Ratio	CMRR	R <sub>S</sub> ≥ 10KΩ	70	90	-	70	90	-	dB
Power Supply Current	I <sub>CC</sub>	V <sub>O(P)</sub> = 0, R <sub>L</sub> = ∞	-	2.8	7.0	-	2.3	7.0	mA
Output Short Circuit Current	I <sub>SC</sub>	Each amplifier	±10	±30	±45	±10	±20	±45	mA
Positive Supply Rejection Ratio	PSRR(+)	-	-	30	150	-	30	150	μV/V
Negative Supply Rejection Ratio	PSRR(-)	-	-	-	-	-	30	150	μV/V

## Electrical Characteristics (Continued)

(VCC = +15V, VEE = -15V for KA3403, VCC = +14V, VEE = GND for KA3303, TA = 25 °C, unless otherwise specified)

Parameter	Symbol	Conditions	KA3303			KA3403			Unit
			Min.	Typ.	Max.	Min.	Typ.	Max.	
Average Temperature Coefficient of Input Offset Current (Note2)	$\Delta I_{IO}/\Delta T$	-	-	50	-	-	50	-	pA/°C
Input Offset Voltage Drift (Note2)	$\Delta V_{IO}/\Delta T$	-	-	10	-	-	10	-	$\mu V/^\circ C$
Power Bandwidth (Note2)	GBW	$G_V = 1, R_L = 2K\Omega, V_{O(P-P)} = 20VP-P, THD=5\%$	-	9.0	-	-	9.0	-	KHz
Small Signal Bandwidth (Note2)	BW	$G_V = 1, R_L = 10K\Omega, V_{O(P-P)} = 50mV$	-	1.0	-	-	1.0	-	MHz
Slew Rate (Note2)	SR	$G_V = 1, V_I = -10V \text{ to } +10V$	-	0.4	-	-	0.4	-	V/ $\mu s$
Rise Time (Note2)	T <sub>R</sub>	$G_V = 1, R_L = 10K\Omega, V_{O(P-P)} = 50mV$	-	0.35	-	-	0.35	-	$\mu s$
Fall Time (Note2)	T <sub>F</sub>	$G_V = 1, R_L = 10K\Omega, V_{O(P-P)} = 50mV$	-	0.35	-	-	0.35	-	$\mu s$
Over Shoot (Note2)	OS	$G_V = 1, R_L = 10K\Omega, V_{O(P-P)} = 50mV$	-	20	-	-	20	-	%
Phase Margin (Note2)	MPH	$G_V = 1, R_L = 2K\Omega, C_L = 200pF$	-	60	-	-	60	-	Degree
Crossover Distortion (Note2)	CD	$V_I = 30mVP-P, V_{O(P-P)} = 2.0VP-P, f = 10KHz$	-	1.0	-	-	1.0	-	%

### Note:

- KA3403:  $0^\circ C \leq T_A \leq +70^\circ C$ , KA3303:  $-40^\circ C \leq T_A \leq +85^\circ C$
- Guaranteed by design.

## Electrical Characteristics

( $V_{CC} = 5.0V$ ,  $V_{EE} = GND$ ,  $T_A = 25^\circ C$  unless otherwise specified)

Parameter	Symbol	Conditions	KA3303			KA3403			Unit
			Min.	Typ.	Max.	Min.	Typ.	Max.	
Input Offset Voltage	$V_{IO}$	-	-	-	10	-	2.0	10	mV
Input Offset Current	$I_{IO}$	-	-	-	75	-	30	50	nA
Input Bias Current	$I_{BIAS}$	-	-	-	500	-	200	500	nA
Large Signal Open Loop Voltage Gain	$G_V$	$R_L = 2.0K\Omega$	10	200	-	10	200	-	V/mV
Power Supply Rejection Ratio	PSRR	-	-	-	150	-	-	150	$\mu V/V$
Output Voltage Range	$V_{O(P-P)}$	$R_L = 10K\Omega$ , $V_{CC} = 5.0V$	3.3	3.5	-	3.3	3.5	-	V
		$R_L = 10K\Omega$ , $5.0V \leq V_{CC} \leq 30V$	$V_{CC} - 2.0$	$V_{CC} - 1.7$	-	$V_{CC} - 2.0$	$V_{CC} - 1.7$	-	
Supply Current	$I_{CC}$	-	-	2.5	7.0	-	2.5	7.0	mA
Channel Separation	CS	$f = 1KHz$ to $20KHz$	-	120	-	-	120	-	dB

# Typical Performance Characteristics

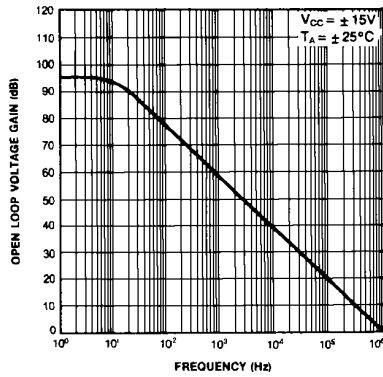


Figure 1. Open Loop Frequency Response

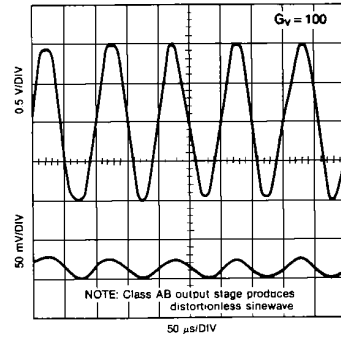


Figure 2. Wave Response

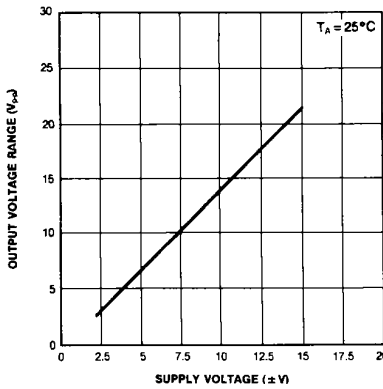


Figure 3. Output Swing

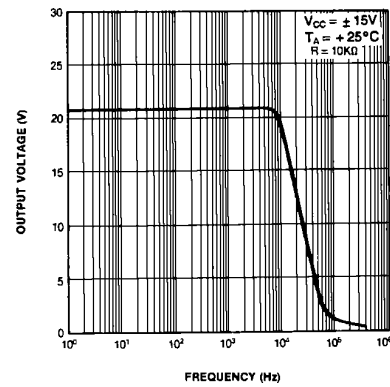


Figure 4. Output Voltage vs Frequency

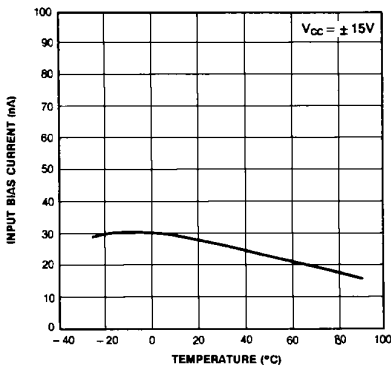


Figure 5. Input Bias Current vs Temperature

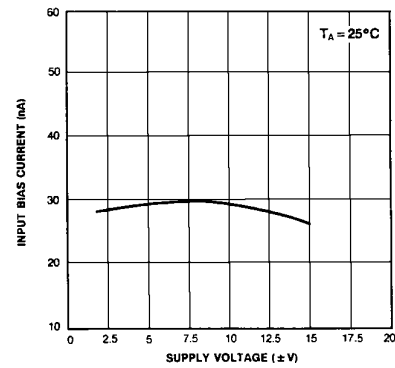


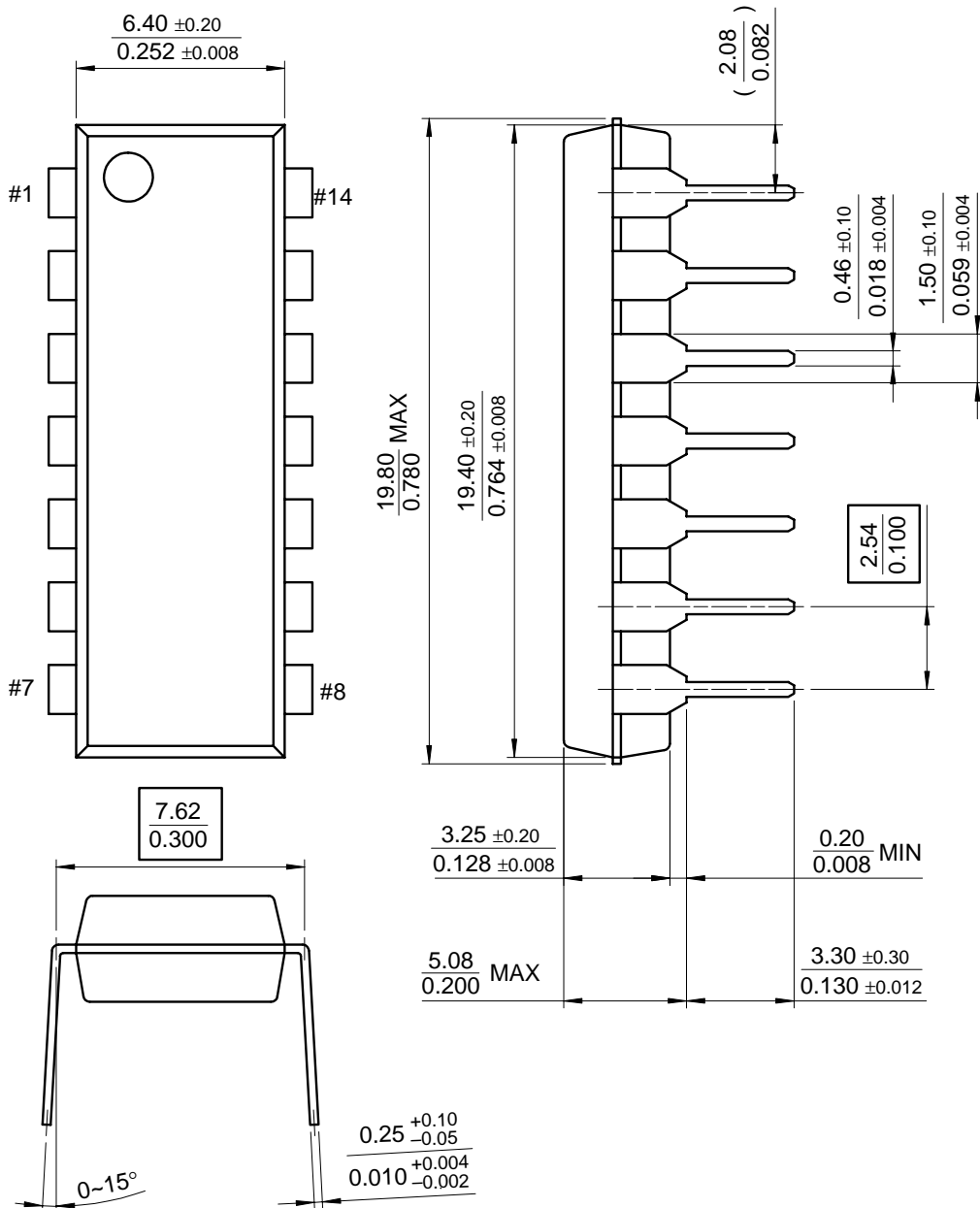
Figure 6. Input Bias Current vs Supply Voltage

# Mechanical Dimensions

## Package

Dimensions in millimeters

### 14-DIP

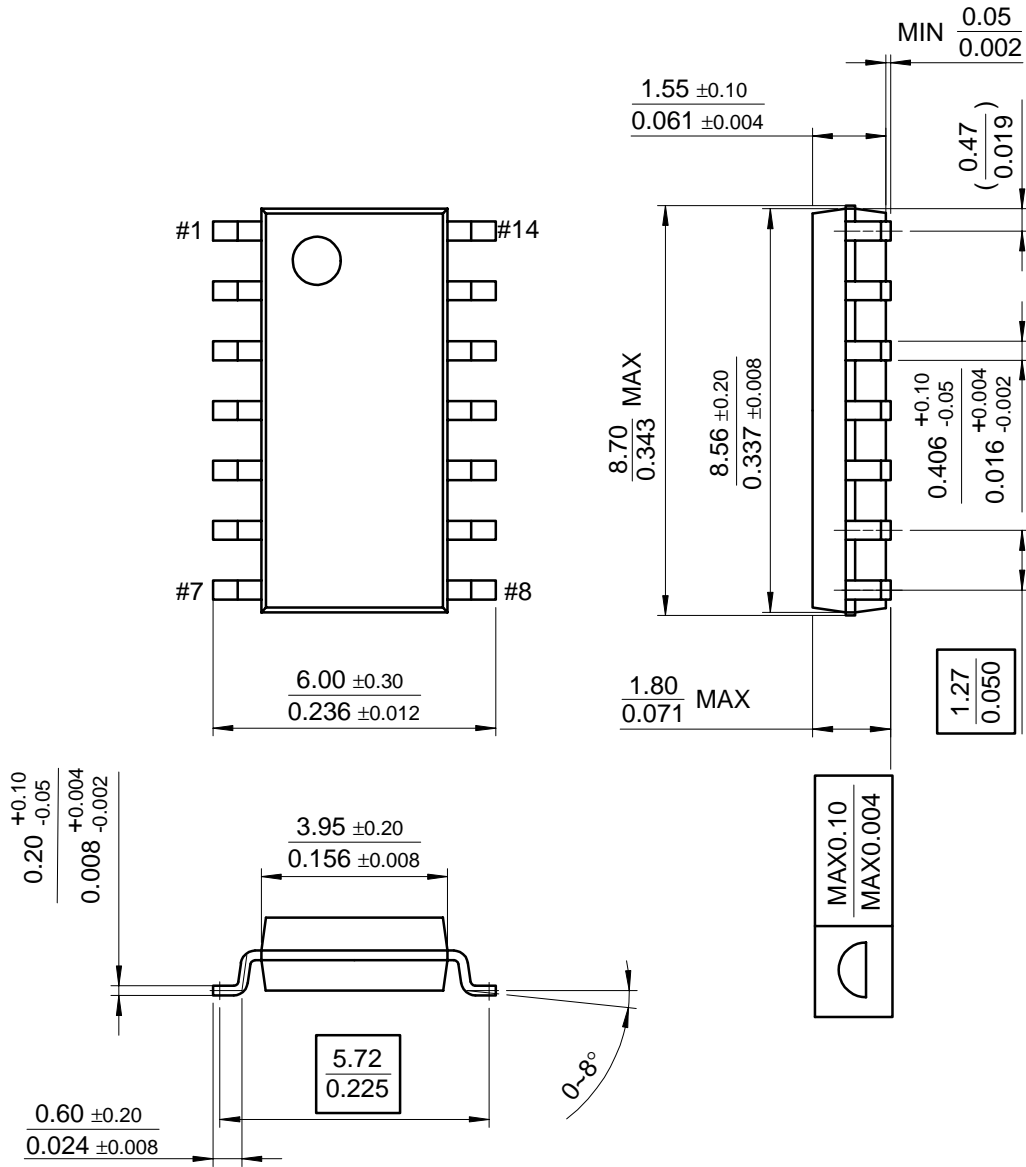


# Mechanical Dimensions (Continued)

## Package

Dimensions in millimeters

### 14-SOP





---

## Ordering Information

Product Number	Package	Operating Temperature
KA3403	14-DIP	0 ~ + 70°C
KA3403D	14-SOP	
KA3303	14-DIP	-40 ~ + 85°C
KA3303D	14-SOP	

**DISCLAIMER**

FAIRCHILD SEMICONDUCTOR RESERVES THE RIGHT TO MAKE CHANGES WITHOUT FURTHER NOTICE TO ANY PRODUCTS HEREIN TO IMPROVE RELIABILITY, FUNCTION OR DESIGN. FAIRCHILD DOES NOT ASSUME ANY LIABILITY ARISING OUT OF THE APPLICATION OR USE OF ANY PRODUCT OR CIRCUIT DESCRIBED HEREIN; NEITHER DOES IT CONVEY ANY LICENSE UNDER ITS PATENT RIGHTS, NOR THE RIGHTS OF OTHERS.

**LIFE SUPPORT POLICY**

FAIRCHILD'S PRODUCTS ARE NOT AUTHORIZED FOR USE AS CRITICAL COMPONENTS IN LIFE SUPPORT DEVICES OR SYSTEMS WITHOUT THE EXPRESS WRITTEN APPROVAL OF THE PRESIDENT OF FAIRCHILD SEMICONDUCTOR CORPORATION. As used herein:

1. Life support devices or systems are devices or systems which, (a) are intended for surgical implant into the body, or (b) support or sustain life, and (c) whose failure to perform when properly used in accordance with instructions for use provided in the labeling, can be reasonably expected to result in a significant injury of the user.
2. A critical component in any component of a life support device or system whose failure to perform can be reasonably expected to cause the failure of the life support device or system, or to affect its safety or effectiveness.