

To all our customers

---

## **Regarding the change of names mentioned in the document, such as Hitachi Electric and Hitachi XX, to Renesas Technology Corp.**

---

The semiconductor operations of Mitsubishi Electric and Hitachi were transferred to Renesas Technology Corporation on April 1st 2003. These operations include microcomputer, logic, analog and discrete devices, and memory chips other than DRAMs (flash memory, SRAMs etc.) Accordingly, although Hitachi, Hitachi, Ltd., Hitachi Semiconductors, and other Hitachi brand names are mentioned in the document, these names have in fact all been changed to Renesas Technology Corp. Thank you for your understanding. Except for our corporate trademark, logo and corporate statement, no changes whatsoever have been made to the contents of the document, and these changes do not constitute any alteration to the contents of the document itself.

Renesas Technology Home Page: <http://www.renesas.com>

Renesas Technology Corp.  
Customer Support Dept.  
April 1, 2003

## Cautions

Keep safety first in your circuit designs!

1. Renesas Technology Corporation puts the maximum effort into making semiconductor products better and more reliable, but there is always the possibility that trouble may occur with them. Trouble with semiconductors may lead to personal injury, fire or property damage.  
Remember to give due consideration to safety when making your circuit designs, with appropriate measures such as (i) placement of substitutive, auxiliary circuits, (ii) use of nonflammable material or (iii) prevention against any malfunction or mishap.

Notes regarding these materials

1. These materials are intended as a reference to assist our customers in the selection of the Renesas Technology Corporation product best suited to the customer's application; they do not convey any license under any intellectual property rights, or any other rights, belonging to Renesas Technology Corporation or a third party.
2. Renesas Technology Corporation assumes no responsibility for any damage, or infringement of any third-party's rights, originating in the use of any product data, diagrams, charts, programs, algorithms, or circuit application examples contained in these materials.
3. All information contained in these materials, including product data, diagrams, charts, programs and algorithms represents information on products at the time of publication of these materials, and are subject to change by Renesas Technology Corporation without notice due to product improvements or other reasons. It is therefore recommended that customers contact Renesas Technology Corporation or an authorized Renesas Technology Corporation product distributor for the latest product information before purchasing a product listed herein.  
The information described here may contain technical inaccuracies or typographical errors.  
Renesas Technology Corporation assumes no responsibility for any damage, liability, or other loss rising from these inaccuracies or errors.  
Please also pay attention to information published by Renesas Technology Corporation by various means, including the Renesas Technology Corporation Semiconductor home page (<http://www.renesas.com>).
4. When using any or all of the information contained in these materials, including product data, diagrams, charts, programs, and algorithms, please be sure to evaluate all information as a total system before making a final decision on the applicability of the information and products. Renesas Technology Corporation assumes no responsibility for any damage, liability or other loss resulting from the information contained herein.
5. Renesas Technology Corporation semiconductors are not designed or manufactured for use in a device or system that is used under circumstances in which human life is potentially at stake. Please contact Renesas Technology Corporation or an authorized Renesas Technology Corporation product distributor when considering the use of a product contained herein for any specific purposes, such as apparatus or systems for transportation, vehicular, medical, aerospace, nuclear, or undersea repeater use.
6. The prior written approval of Renesas Technology Corporation is necessary to reprint or reproduce in whole or in part these materials.
7. If these products or technologies are subject to the Japanese export control restrictions, they must be exported under a license from the Japanese government and cannot be imported into a country other than the approved destination.  
Any diversion or reexport contrary to the export control laws and regulations of Japan and/or the country of destination is prohibited.
8. Please contact Renesas Technology Corporation for further details on these materials or the products contained therein.

# Hitachi 16-Bit Single-Chip Microcomputer

## H8S/2626 Series, H8S/2623 Series H8S/2626F-ZTAT™, H8S/2623F-ZTAT™

### H8S/2626 Series

H8S/2626 HD6432626

H8S/2625 HD6432625

H8S/2624 HD6432624

### H8S/2623 Series

H8S/2623 HD6432623

H8S/2622 HD6432622

H8S/2621 HD6432621

### H8S/2626F-ZTAT™

HD64F2626

### H8S/2623F-ZTAT™

HD64F2623

## Hardware Manual

The logo for Renesas, featuring the word "RENESAS" in a bold, sans-serif font. The letter "R" is stylized with a curved underline that extends under the "E".

ADE-602-164C

Rev. 4.0

10/30/03

Hitachi, Ltd.

The revision list can be viewed directly by clicking the title page.

The revision list summarizes the locations of revisions and additions. Details should always be checked by referring to the relevant text.

## Cautions

1. Hitachi neither warrants nor grants licenses of any rights of Hitachi's or any third party's patent, copyright, trademark, or other intellectual property rights for information contained in this document. Hitachi bears no responsibility for problems that may arise with third party's rights, including intellectual property rights, in connection with use of the information contained in this document.
2. Products and product specifications may be subject to change without notice. Confirm that you have received the latest product standards or specifications before final design, purchase or use.
3. Hitachi makes every attempt to ensure that its products are of high quality and reliability. However, contact Hitachi's sales office before using the product in an application that demands especially high quality and reliability or where its failure or malfunction may directly threaten human life or cause risk of bodily injury, such as aerospace, aeronautics, nuclear power, combustion control, transportation, traffic, safety equipment or medical equipment for life support.
4. Design your application so that the product is used within the ranges guaranteed by Hitachi particularly for maximum rating, operating supply voltage range, heat radiation characteristics, installation conditions and other characteristics. Hitachi bears no responsibility for failure or damage when used beyond the guaranteed ranges. Even within the guaranteed ranges, consider normally foreseeable failure rates or failure modes in semiconductor devices and employ systemic measures such as fail-safes, so that the equipment incorporating Hitachi product does not cause bodily injury, fire or other consequential damage due to operation of the Hitachi product.
5. This product is not designed to be radiation resistant.
6. No one is permitted to reproduce or duplicate, in any form, the whole or part of this document without written approval from Hitachi.
7. Contact Hitachi's sales office for any questions regarding this document or Hitachi semiconductor products.

## General Precautions on the Handling of Products

### 1. Treatment of NC Pins

Note: Do not connect anything to the NC pins.

The NC (not connected) pins are either not connected to any of the internal circuitry or are used as test pins or to reduce noise. If something is connected to the NC pins, the operation of the LSI is not guaranteed.

### 2. Treatment of Unused Input Pins

Note: Fix all unused input pins to high or low level.

Generally, the input pins of CMOS products are high-impedance input pins. If unused pins are in their open states, intermediate levels are induced by noise in the vicinity, a pass-through current flows internally, and a malfunction may occur.

### 3. Processing before Initialization

Note: When power is first supplied, the product's state is undefined. The states of internal circuits are undefined until full power is supplied throughout the chip and a low level is input on the reset pin. During the period where the states are undefined, the register settings and the output state of each pin are also undefined. Design your system so that it does not malfunction because of processing while it is in this undefined state. For those products which have a reset function, reset the LSI immediately after the power supply has been turned on.

### 4. Prohibition of Access to Undefined or Reserved Address

Note: Access to undefined or reserved addresses is prohibited.

The undefined or reserved addresses may be used to expand functions, or test registers may have been allocated to these addresses. Do not access these registers: the system's operation is not guaranteed if they are accessed.



# Preface

The H8S/2626 Series and H8S/2623 Series are series of high-performance microcontrollers with a 32-bit H8S/2600 CPU core, and a set of on-chip supporting modules required for system configuration.

The H8S/2600 CPU can execute basic instructions in one state, and is provided with sixteen 16-bit general registers with a 32-bit internal configuration, and a concise and optimized instruction set. The CPU can handle a 16 Mbyte linear address space (architecturally 4 Gbytes). Programs based on the high-level language C can also be run efficiently.

The address space is divided into eight areas. The data bus width and access states can be selected for each of these areas, and various kinds of memory can be connected fast and easily.

Single-power-supply flash memory (F-ZTAT™\*), and mask ROM versions are available, providing a quick and flexible response to conditions from ramp-up through full-scale volume production, even for applications with frequently changing specifications.

On-chip supporting functions include a 16-bit timer pulse unit (TPU), programmable pulse generator (PPG), watchdog timer (WDT), serial communication interface (SCI), Hitachi controller area network (HCAN), A/D converter, D/A converter (H8S/2626 Series only), and I/O ports.

In addition, data transfer controller (DTC) is provided, enabling high-speed data transfer without CPU intervention.

Use of the H8S/2626 Series or H8S/2623 Series enables easy implementation of compact, high-performance systems capable of processing large volumes of data.

This manual describes the hardware of the H8S/2626 Series and H8S/2623 Series. Refer to the H8S/2600 Series and H8S/2000 Series Programming Manual for a detailed description of the instruction set.

Note: \* F-ZTAT (Flexible-ZTAT) is a trademark of Hitachi, Ltd.



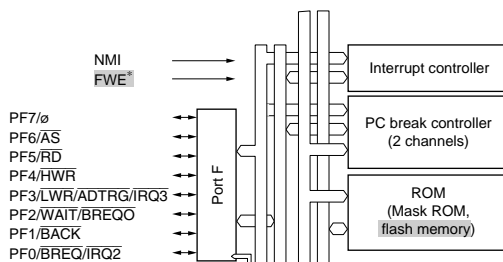


# List of Items Revised or Added for This Version

Section	Page	Description
1.1 Overview	4	Note * deleted from memory specifications
	5	Note * deleted from product lineup specifications

## 1.2 Internal Block Diagram

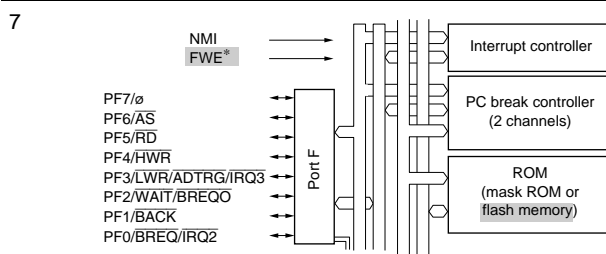
Figure 1-1 Internal Block Diagram (H8S/2623 Series)



Note \*1 deleted

Note: \* The FWE pin is used only in the flash memory version.

Figure 1-2 Internal Block Diagram (H8S/2626 Series)



Note \*1 deleted

Note: \* The FWE pin is used only in the flash memory version.

## 5.6.3 Operation 121

(3) Operation Order  
Table 5-11 Interrupt Source Selection and Clearing Control

Settings			
Settings		Interrupt Source Selection/Clearing Control	
DTCE	DISEL	DTC	CPU
0	*	X	Δ
1	0	Δ	X
	1	O	Δ

## (4) Notes on Use

2nd line changed as follows

SCI and A/D converter interrupt sources are cleared when the DTC reads or writes to the prescribed register.

Section	Page	Description
8.3.3 DTC Vector Table	194	TGI5A (GR5A compare match/input capture) TPU channel 5 60 H'0478 DTCED5
Table 8-4 Interrupt Sources, DTC Vector Addresses, and Corresponding		TGI5B (GR5B compare match/input capture) 61 H'047A DTCED4
		Reserved — 64 H'0480 DTCED3
		65 H'0482 DTCED2
		68 H'0488 DTCED1
		69 H'048A DTCED0
		72 H'0490 DTCEE7
		73 H'0492 DTCEE6
		74 H'0494 DTCEE5
		75 H'0496 DTCEE4
		RX10 (reception complete 0) SCI channel 0 81 H'04A2 DTCEE3
	TX10 (transmit data empty 0) 82 H'04A4 DTCEE2	

8.3.10 Number of DTC Execution States 203

4th line changed as follows

$$\text{Number of execution states} = I \cdot (S_I + 1) + \Sigma (J \cdot S_J + K \cdot S_K + L \cdot S_L) + M \cdot S_M$$

For example, when the DTC vector address table is located in on-chip ROM, normal mode is set, and data is transferred from the on-chip ROM to an internal I/O register, the time required for the DTC operation is 14 states. The time from activation to the end of the data write is 11 states.

9.10.2 Register Configuration 275

Port F Data Register (PFDR)

Bit	7	6	5	4	3	2	1	0
	—	PF6DR	PF5DR	PF4DR	PF3DR	PF2DR	PF1DR	PF0DR
Initial value :	0	0	0	0	0	0	0	0
Read/Write :	R/W	R/W	R/W	R/W	R/W	R/W	R/W	R/W

Explanation added to 8th line as follows

Bit 7 in PFDR is reserved, and only 0 may be written to it.

12.2.2 Timer Control/Status Register (TCSR) 402

Explanation added to 8th line as follows

Bit 7—Overflow Flag (OVF)

In interval timer mode, to clear OVF flag in WOVI handling routine, read TCSR when OVF = 1, then write with 0 to OVF, as stated above. When WOVI is masked and OVF flag is polling, if contention between OVF flag set and TCSR read is occurred, OVF = 1 is read but OVF can not be cleared by writing with 0 to OVF. In this case, reading TCSR when OVF = 1 two times meet the requirements of OVF clear condition. Please read TCSR when OVF = 1 two times before writing with 0 to OVF.

Section	Page	Description
12.5.6 OVF Flag Clearing in Interval Timer Mode	416	Newly added 12.5.6 OVF Flag Clearing in Interval Timer Mode When the OVF Flag setting conflicts with the OVF flag reading in interval timer mode, writing 0 to the OVF bit may not clear the flag even though the OVF bit has been read while it is 1. If there is a possibility that the OVF flag setting and reading will conflict, such as when the OVF flag is polled with the interval timer interrupt disabled, read the OVF bit while it is 1 at least twice before writing 0 to the OVF bit to clear the flag.
13.2.8 Bit Rate Register (BRR) Table 13-3 BRR Settings for Various Bit Rates (Asynchronous Mode)	436	2 MHz, 2.097152 MHz, 2.4576 MHz, 3 MHz, and 3.6864 MHz columns of table deleted
Table 13-4 BRR Settings for Various Bit Rates (Clocked Synchronous Mode)	439	2 MHz column of table deleted
Table 13-5 Maximum Bit Rate for Each Frequency (Asynchronous Mode)	441	2 MHz, 2.097152 MHz, 2.4576 MHz, 3 MHz, and 3.6864 MHz rows of table deleted
Table 13-6 Maximum Bit Rate with External Clock Input (Asynchronous Mode)	442	2 MHz, 2.097152 MHz, 2.4576 MHz, 3 MHz, and 3.6864 MHz rows of table deleted
Table 13-7 Maximum Bit Rate with External Clock Input (Clocked Synchronous Mode)	442	2 MHz row of table deleted
15.2.2 General Status Register (GSR)	525	7th line changed as follows The general status register (GSR) is an 8-bit readable register that indicates the status of the CAN bus. 9th line changed as follows Bits 7 to 4—Reserved: These bits always read 0.
15.2.3 Bit Configuration Register (BCR)	—	15.3.2 Initialization after Hardware Reset Detailed Description of One Bit of figure, HCAN bit rate calculation, BCR Setting Constraints, Setting Range for TSEG1 and TSEG2 in BCR of table Moved to Bit Rate and Bit Timing Settings

Section	Page	Description
---------	------	-------------

15.2.7 Transmit Acknowledge Register (TXACK)

532

**TXACK**

Bit	: 15	14	13	12	11	10	9	8
	TXACK7	TXACK6	TXACK5	TXACK4	TXACK3	TXACK2	TXACK1	—
Initial value :	0	0	0	0	0	0	0	0
Read/Write :	R/(W)*	R/(W)*	R/(W)*	R/(W)*	R/(W)*	R/(W)*	R/(W)*	R
Bit	: 7	6	5	4	3	2	1	0
	TXACK15	TXACK14	TXACK13	TXACK12	TXACK11	TXACK10	TXACK9	TXACK8
Initial value :	0	0	0	0	0	0	0	0
Read/Write :	R/(W)*	R/(W)*	R/(W)*	R/(W)*	R/(W)*	R/(W)*	R/(W)*	R/(W)*

Note added

Note: \* Can only be written with 1 for flag clearing.

15.2.8 Abort Acknowledge Register (ABACK)

533

**ABACK**

Bit	: 15	14	13	12	11	10	9	8
	ABACK7	ABACK6	ABACK5	ABACK4	ABACK3	ABACK2	ABACK1	—
Initial value :	0	0	0	0	0	0	0	0
Read/Write :	R/(W)*	R/(W)*	R/(W)*	R/(W)*	R/(W)*	R/(W)*	R/(W)*	R
Bit	: 7	6	5	4	3	2	1	0
	ABACK15	ABACK14	ABACK13	ABACK12	ABACK11	ABACK10	ABACK9	ABACK8
Initial value :	0	0	0	0	0	0	0	0
Read/Write :	R/(W)*	R/(W)*	R/(W)*	R/(W)*	R/(W)*	R/(W)*	R/(W)*	R/(W)*

Note added

Note: \* Can only be written with 1 for flag clearing.

15.2.9 Receive Complete Register (RXPR)

534

**RXPR**

Bit	: 15	14	13	12	11	10	9	8
	RXPR7	RXPR6	RXPR5	RXPR4	RXPR3	RXPR2	RXPR1	RXPR0
Initial value :	0	0	0	0	0	0	0	0
Read/Write :	R/(W)*	R/(W)*	R/(W)*	R/(W)*	R/(W)*	R/(W)*	R/(W)*	R/(W)*
Bit	: 7	6	5	4	3	2	1	0
	RXPR15	RXPR14	RXPR13	RXPR12	RXPR11	RXPR10	RXPR9	RXPR8
Initial value :	0	0	0	0	0	0	0	0
Read/Write :	R/(W)*	R/(W)*	R/(W)*	R/(W)*	R/(W)*	R/(W)*	R/(W)*	R/(W)*

Note added

Note: \* Can only be written with 1 for flag clearing.

Section	Page	Description																
15.2.10 Remote Request Register (RFPR)	535	<p><b>RFPR</b></p> <p>Bit : 15 14 13 12 11 10 9 8</p> <table border="1"> <tr> <td>RFPR7</td> <td>RFPR6</td> <td>RFPR5</td> <td>RFPR4</td> <td>RFPR3</td> <td>RFPR2</td> <td>RFPR1</td> <td>RFPR0</td> </tr> </table> <p>Initial value : 0 0 0 0 0 0 0 0</p> <p>Read/Write : R/(W)* R/(W)* R/(W)* R/(W)* R/(W)* R/(W)* R/(W)* R/(W)*</p> <p>Bit : 7 6 5 4 3 2 1 0</p> <table border="1"> <tr> <td>RFPR15</td> <td>RFPR14</td> <td>RFPR13</td> <td>RFPR12</td> <td>RFPR11</td> <td>RFPR10</td> <td>RFPR9</td> <td>RFPR8</td> </tr> </table> <p>Initial value : 0 0 0 0 0 0 0 0</p> <p>Read/Write : R/(W)* R/(W)* R/(W)* R/(W)* R/(W)* R/(W)* R/(W)* R/(W)*</p> <p>Note added</p> <p>Note: * Can only be written with 1 for flag clearing.</p>	RFPR7	RFPR6	RFPR5	RFPR4	RFPR3	RFPR2	RFPR1	RFPR0	RFPR15	RFPR14	RFPR13	RFPR12	RFPR11	RFPR10	RFPR9	RFPR8
RFPR7	RFPR6	RFPR5	RFPR4	RFPR3	RFPR2	RFPR1	RFPR0											
RFPR15	RFPR14	RFPR13	RFPR12	RFPR11	RFPR10	RFPR9	RFPR8											

15.2.11 Interrupt Register (IRR)	536	<p><b>IRR</b></p> <p>Bit : 15 14 13 12 11 10 9 8</p> <table border="1"> <tr> <td>IRR7</td> <td>IRR6</td> <td>IRR5</td> <td>IRR4</td> <td>IRR3</td> <td>IRR2</td> <td>IRR1</td> <td>IRR0</td> </tr> </table> <p>Initial value : 0 0 0 0 0 0 0 0</p> <p>Read/Write : R/(W)* R/(W)* R/(W)* R/(W)* R/(W)* R R R/(W)*</p> <p>Bit : 7 6 5 4 3 2 1 0</p> <table border="1"> <tr> <td>—</td> <td>—</td> <td>—</td> <td>IRR12</td> <td>—</td> <td>—</td> <td>IRR9</td> <td>IRR8</td> </tr> </table> <p>Initial value : 0 0 0 0 0 0 0 0</p> <p>Read/Write : — — — R/(W)* — — R R/(W)*</p> <p>Note added</p> <p>Note: * Can only be written with 1 for flag clearing.</p>	IRR7	IRR6	IRR5	IRR4	IRR3	IRR2	IRR1	IRR0	—	—	—	IRR12	—	—	IRR9	IRR8
IRR7	IRR6	IRR5	IRR4	IRR3	IRR2	IRR1	IRR0											
—	—	—	IRR12	—	—	IRR9	IRR8											

15.2.16 Unread Message Status Register (UMSR)	544	<p><b>UMSR</b></p> <p>Bit : 15 14 13 12 11 10 9 8</p> <table border="1"> <tr> <td>UMSR7</td> <td>UMSR6</td> <td>UMSR5</td> <td>UMSR4</td> <td>UMSR3</td> <td>UMSR2</td> <td>UMSR1</td> <td>UMSR0</td> </tr> </table> <p>Initial value: 0 0 0 0 0 0 0 0</p> <p>R/W: R/(W)* R/(W)* R/(W)* R/(W)* R/(W)* R/(W)* R/(W)* R/(W)*</p> <p>Bit : 7 6 5 4 3 2 1 0</p> <table border="1"> <tr> <td>UMSR15</td> <td>UMSR14</td> <td>UMSR13</td> <td>UMSR12</td> <td>UMSR11</td> <td>UMSR10</td> <td>UMSR9</td> <td>UMSR8</td> </tr> </table> <p>Initial value: 0 0 0 0 0 0 0 0</p> <p>R/W: R/(W)* R/(W)* R/(W)* R/(W)* R/(W)* R/(W)* R/(W)* R/(W)*</p> <p>Note added</p> <p>Note: * Can only be written with 1 for flag clearing.</p>	UMSR7	UMSR6	UMSR5	UMSR4	UMSR3	UMSR2	UMSR1	UMSR0	UMSR15	UMSR14	UMSR13	UMSR12	UMSR11	UMSR10	UMSR9	UMSR8
UMSR7	UMSR6	UMSR5	UMSR4	UMSR3	UMSR2	UMSR1	UMSR0											
UMSR15	UMSR14	UMSR13	UMSR12	UMSR11	UMSR10	UMSR9	UMSR8											

Section	Page	Description
15.3.2 Initialization after Hardware Reset	557 to 559	Bit Rate and Bit Timing Settings: As bit rate settings, a baud rate setting and bit timing setting must be made each time a CAN node begins communication. The baud rate and bit timing settings are made in the bit configuration register (BCR).
Bit Rate and Bit Timing Settings		<p>a. Note</p> <p>BCR can be written to at all times, but should only be modified in configuration mode.</p> <p>Settings should be made so that all CAN controllers connected to the CAN bus have the same baud rate and bit width.</p> <p>Refer to <a href="#">table 15.3</a> for the range of values that can be used as settings (TSEG1, TSEG2, BRP, sample point, and SJW) for BCR.</p>

Table 15-3 BCR Register Value Setting Ranges

Name	Abbreviation	Min. Value	Max. Value
Time segment 1	TSEG1	B'0000	B'1111
Time segment 2	TSEG2	B'000	B'111
Baud rate prescaler	BRP	B'000000	B'111111
Sample point	SAM	B'0	B'1
Re-synchronization jump width	SJW	B'00	B'11

b. **Value Setting Ranges**

- The bit width consists of the total of the settable Time Quanta (TQ). TQ (number of system clocks) is determined by the baud rate prescaler (BRP).

$$TQ = \frac{2 \times (BRP + 1)}{f_{CLK}}$$

- The value of SJW is stipulated in the CAN specifications.  
3 SJW 0
- The minimum value of TSEG1 is stipulated in the CAN specifications.  
TSEG1 > TSEG2
- The minimum value of TSEG2 is stipulated in the CAN specifications.  
TSEG2 SJW

The following formula is used to calculate the baud rate.

$$\text{Bit rate [b/s]} = \frac{f_{CLK}}{2 \times (BRP + 1) \times (3 + TSEG1 + TSEG2)}$$

Note:  $f_{CLK} = f$  (system clock)

The BCR values are used for BRP, TSEG1, and TSEG2.

Example: With a 1 Mb/s baud rate and a 20 MHz input clock:

$$1 \text{ Mb/s} = \frac{20 \text{ MHz}}{2 \times (0 + 1) \times (3 + 4 + 3)}$$

Item	Set Values	Actual Values
$f_{CLK}$	20 MHz	—
BRP	0 (B'000000)	System clock $\times$ 2
TSEG1	4 (B'0100)	5TQ
TSEG2	3 (B'011)	4TQ

**Bit Rate and Bit Timing  
Settings**

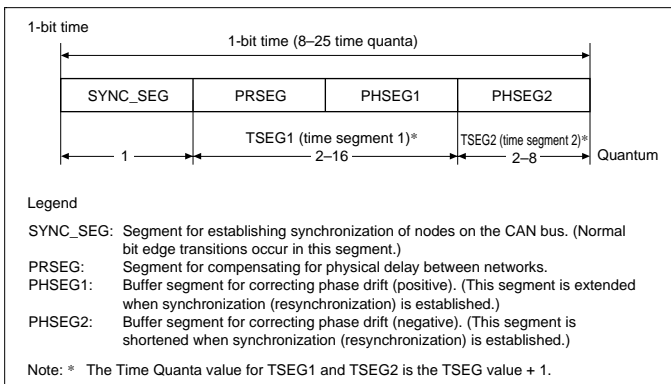


Figure 15-6 Detailed Description of One Bit

HCAN bit rate calculation:

$$\text{Bit rate} = \frac{f_{\text{CLK}}}{2 \times (\text{BRP} + 1) \times (3 + \text{TSEG1} + \text{TSEG2})}$$

Note:  $f_{\text{CLK}} = \phi$  (system clock)  
The BCR values are used for BRP, TSEG1, and TSEG2.

BCR Setting Constraints

$$\text{TSEG1} > \text{TSEG2} \geq \text{SJW} \quad (\text{SJW} = 0 \text{ to } 3)$$

$$\text{TSEG2} > \text{B}'001 \quad (\text{BRP} = \text{B}'0000000)$$

$$\text{TSEG2} > \text{B}'000 \quad (\text{BRP} > \text{B}'0000000)$$

These constraints allow the setting range shown in table 15-3 for TSEG1 and TSEG2 in BCR.

Table 15-4 Setting Range for TSEG1 and TSEG2 in BCR

		TSEG2 (BCR [14:12])						
		001	010	011	100	101	110	111
TSEG1 (BCR [11:8])	0011	No	Yes	No	No	No	No	No
	0100	Yes*	Yes	Yes	No	No	No	No
	0101	Yes*	Yes	Yes	Yes	No	No	No
	0110	Yes*	Yes	Yes	Yes	Yes	No	No
	0111	Yes*	Yes	Yes	Yes	Yes	Yes	No
	1000	Yes*	Yes	Yes	Yes	Yes	Yes	Yes
	1001	Yes*	Yes	Yes	Yes	Yes	Yes	Yes
	1010	Yes*	Yes	Yes	Yes	Yes	Yes	Yes
	1011	Yes*	Yes	Yes	Yes	Yes	Yes	Yes
	1100	Yes*	Yes	Yes	Yes	Yes	Yes	Yes
1101	Yes*	Yes	Yes	Yes	Yes	Yes	Yes	
1110	Yes*	Yes	Yes	Yes	Yes	Yes	Yes	
1111	Yes*	Yes	Yes	Yes	Yes	Yes	Yes	

Notes: The time quanta value for TSEG1 and TSEG2 is the TSEG value + 1.

\* Setting is enabled except when BRP [13:8] = B'0000000.

Section	Page	Description
15.5 Usage Notes	580	Newly added
8. Using bit operation instructions		8. Using bit operation instructions Start flags in HCAN are cleared by writing 1 to them; there is no need to use bit operation instructions to clear them. To clear a flag, use the MOV instruction to write a 1 to the bit to be cleared.
9. HTxD pin output in error passive state		9. HTxD pin output in error passive state If the HRxD pin becomes fixed at 1 during message transmission or reception when the HCAN is in the error active state, the HTxD pin will output 0 continuously while in the error passive state. To stop continuous 0 output to the CAN bus, disable the HCAN by means of an error warning interrupt or by setting the HCAN module stop mode through detection of a fixed 1 state by the HxRD pin monitor.
10. Transition to HCAN sleep mode		10. Transition to HCAN sleep mode The HCAN stops (transmission/reception stops) when MCR0 is cleared to 0 immediately after an HCAN sleep mode transition effected by setting TXPR of the HCAN to 1 and setting MCR5 to 1. When a transition is made to the HCAN sleep mode by means of the above steps, a 10-cycle wait should be inserted after the TxPR setting. After an HCAN sleep mode transition, release the HCAN sleep mode by clearing MCR5 to 0.
11. Message transmission cancellation (TxCR)		11. Message transmission cancellation (TxCR) If all the following conditions are met when cancellation of a transmission message is performed by means of TxCR of the HCAN, the TxCR or TxPR bit indicating cancellation is not cleared even though internal transmission is canceled.  When canceling a message using TxCR, 1 should be written continuously until TxCR or TxPR becomes 0.
12. TxCR in the bus off state		12. TxCR in the bus off state If TxPR is set before the HCAN goes to the bus off state, and a transition is made to the bus off state with transmission incomplete, cancellation will be performed even if TxCR is set during the bus off period, and the message will be transmitted after a transition to the error active state.

19.11.2 Programmer Mode Operation 656

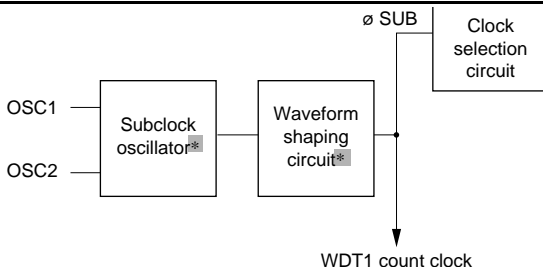
Table 19-11 Settings for Various Operating Modes in Programmer Mode

Mode	Pin Names					
	FWE	CE	OE	WE	I/O7–I/O0	A18–A0
Read	H or L	L	L	H	Data output	Ain
Output disable	H or L	L	H	H	Hi-Z	X
Command write	H or L <sup>*)</sup>	L	H	L	Data input	Ain <sup>*)</sup>
Chip disable <sup>*)</sup>	H or L	H	X	X	Hi-Z	X



20.1.1 Block Diagram 676

Figure 20-1 Block Diagram of Clock Pulse Generator



**Legend:**

LPWRCR: Low-power control register

SCKCR: System clock control register

Note: \* Supported only in the H8S/2626 Series, not available in the H8S/2623 Series.

20.3.1 Connecting a Crystal Resonator 679

Table 20-2 Damping Resistance Value

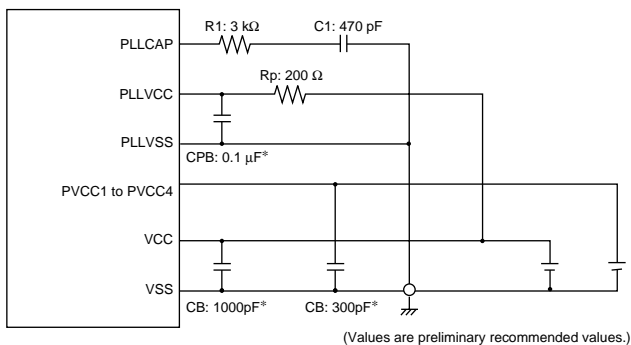
Frequency (MHz)	4	8	12	16	20
$R_d$ ( $\Omega$ )	500	200	0	0	0

Table 20-3 Crystal Resonator Parameters 680

Frequency (MHz)	4	8	12	16	20
$R_s$ max ( $\Omega$ )	120	80	60	50	40
$C_0$ max (pF)	7	7	7	7	7

Figure 20-5 Points for Attention when Using PLL Oscillation Circuit 681

Figure replaced



Note: \* CB and CPB are laminated ceramic capacitors.

4th line changed as follows

Separate PLL<sub>VCC</sub> and PLL<sub>VSS</sub> from the other V<sub>CC</sub>/V<sub>SS</sub> and PV<sub>CC</sub>/PV<sub>SS</sub> lines at the board power supply source, and be sure to insert bypass capacitors CPB and CB close to the pins.

20.3.2 External Clock Input 683

V<sub>CC</sub> = 3.0 V to 3.6 V and PV<sub>CC</sub> = 3.0 V to 5.5 V portions deleted

Table 20-4 External Clock Input Conditions

Section	Page	Description																																																																																																												
21A.1 Overview	688																																																																																																													
Table 21A-1 LSI Internal States in Each Mode		<table border="1"> <tbody> <tr> <td>DTC</td> <td>Functioning</td> <td>Medium-speed operation</td> <td>Functioning</td> <td>Halted (retained)</td> <td>Halted (retained)</td> <td>Halted (reset)</td> </tr> <tr> <td>TPU</td> <td>Functioning</td> <td>(PBC medium-speed operation)</td> <td>Functioning</td> <td>Halted (retained)</td> <td>Halted (retained)</td> <td>Halted (reset)</td> </tr> <tr> <td>PBC</td> <td></td> <td></td> <td></td> <td></td> <td></td> <td></td> </tr> <tr> <td>PPG</td> <td></td> <td></td> <td></td> <td></td> <td></td> <td></td> </tr> </tbody> </table>	DTC	Functioning	Medium-speed operation	Functioning	Halted (retained)	Halted (retained)	Halted (reset)	TPU	Functioning	(PBC medium-speed operation)	Functioning	Halted (retained)	Halted (retained)	Halted (reset)	PBC							PPG																																																																																						
DTC	Functioning	Medium-speed operation	Functioning	Halted (retained)	Halted (retained)	Halted (reset)																																																																																																								
TPU	Functioning	(PBC medium-speed operation)	Functioning	Halted (retained)	Halted (retained)	Halted (reset)																																																																																																								
PBC																																																																																																														
PPG																																																																																																														
21A.6.3 Setting	699																																																																																																													
Oscillation Stabilization Time after Clearing Software Standby Mode																																																																																																														
Table 21A-4 Oscillation Stabilization Time Settings		<table border="1"> <thead> <tr> <th>STS2</th> <th>STS1</th> <th>STS0</th> <th>Standby Time</th> <th>20 MHz</th> <th>16 MHz</th> <th>12 MHz</th> <th>10 MHz</th> <th>8 MHz</th> <th>6 MHz</th> <th>4 MHz</th> <th>Unit</th> </tr> </thead> <tbody> <tr> <td>0</td> <td>0</td> <td>0</td> <td>8192 states</td> <td>0.41</td> <td>0.51</td> <td>0.68</td> <td>0.8</td> <td>1.0</td> <td>1.3</td> <td>2.0</td> <td>ms</td> </tr> <tr> <td></td> <td></td> <td>1</td> <td>16384 states</td> <td>0.82</td> <td>1.0</td> <td>1.3</td> <td>1.6</td> <td>2.0</td> <td>2.7</td> <td>4.1</td> <td></td> </tr> <tr> <td></td> <td>1</td> <td>0</td> <td>32768 states</td> <td>1.6</td> <td>2.0</td> <td>2.7</td> <td>3.3</td> <td>4.1</td> <td>5.5</td> <td>8.2</td> <td></td> </tr> <tr> <td></td> <td></td> <td>1</td> <td>65536 states</td> <td>3.3</td> <td>4.1</td> <td>5.5</td> <td>6.6</td> <td>8.2</td> <td>10.9</td> <td>16.4</td> <td></td> </tr> <tr> <td>1</td> <td>0</td> <td>0</td> <td>131072 states</td> <td>6.6</td> <td>8.2</td> <td>10.9</td> <td>13.1</td> <td>16.4</td> <td>21.8</td> <td>32.8</td> <td></td> </tr> <tr> <td></td> <td></td> <td>1</td> <td>262144 states</td> <td>13.1</td> <td>16.4</td> <td>21.8</td> <td>26.2</td> <td>32.8</td> <td>43.6</td> <td>65.6</td> <td></td> </tr> <tr> <td></td> <td>1</td> <td>0</td> <td>Reserved</td> <td>—</td> <td>—</td> <td>—</td> <td>—</td> <td>—</td> <td>—</td> <td>—</td> <td>μs</td> </tr> <tr> <td></td> <td></td> <td>1</td> <td>16 states*</td> <td>0.8</td> <td>1.0</td> <td>1.3</td> <td>1.6</td> <td>2.0</td> <td>1.7</td> <td>4.0</td> <td></td> </tr> </tbody> </table>	STS2	STS1	STS0	Standby Time	20 MHz	16 MHz	12 MHz	10 MHz	8 MHz	6 MHz	4 MHz	Unit	0	0	0	8192 states	0.41	0.51	0.68	0.8	1.0	1.3	2.0	ms			1	16384 states	0.82	1.0	1.3	1.6	2.0	2.7	4.1			1	0	32768 states	1.6	2.0	2.7	3.3	4.1	5.5	8.2				1	65536 states	3.3	4.1	5.5	6.6	8.2	10.9	16.4		1	0	0	131072 states	6.6	8.2	10.9	13.1	16.4	21.8	32.8				1	262144 states	13.1	16.4	21.8	26.2	32.8	43.6	65.6			1	0	Reserved	—	—	—	—	—	—	—	μs			1	16 states*	0.8	1.0	1.3	1.6	2.0	1.7	4.0	
STS2	STS1	STS0	Standby Time	20 MHz	16 MHz	12 MHz	10 MHz	8 MHz	6 MHz	4 MHz	Unit																																																																																																			
0	0	0	8192 states	0.41	0.51	0.68	0.8	1.0	1.3	2.0	ms																																																																																																			
		1	16384 states	0.82	1.0	1.3	1.6	2.0	2.7	4.1																																																																																																				
	1	0	32768 states	1.6	2.0	2.7	3.3	4.1	5.5	8.2																																																																																																				
		1	65536 states	3.3	4.1	5.5	6.6	8.2	10.9	16.4																																																																																																				
1	0	0	131072 states	6.6	8.2	10.9	13.1	16.4	21.8	32.8																																																																																																				
		1	262144 states	13.1	16.4	21.8	26.2	32.8	43.6	65.6																																																																																																				
	1	0	Reserved	—	—	—	—	—	—	—	μs																																																																																																			
		1	16 states*	0.8	1.0	1.3	1.6	2.0	1.7	4.0																																																																																																				

Note amended

Note: \* Do not use this setting.

Using an External Clock

Newly added

Using an External Clock: It is necessary to allow time for the PLL circuit to stabilize. Therefore, the standby time should be set to a value of 2 ms or greater.

21B.1 Overview	703	Note amended																																																		
		Note * Subclock functions are available in the H8S/2626 Series. See section 20.7, Subclock Oscillator, for the method of fixing pins OSC1 and OSC2 when not used.																																																		
Table 21B-1 LSI Internal States in Each Mode	704	<table border="1"> <tbody> <tr> <td>DTC</td> <td>Functioning</td> <td>Medium-speed operation</td> <td>Functioning</td> <td>Halted (retained)</td> <td>Halted (retained)</td> <td>Halted (retained)</td> <td>Halted (retained)</td> <td>Halted (retained)</td> <td>Halted (reset)</td> </tr> <tr> <td>TPU</td> <td>Functioning</td> <td>Functioning</td> <td>Functioning</td> <td>Halted (retained)</td> <td>Halted (retained)</td> <td>Halted (retained)</td> <td>Halted (retained)</td> <td>Halted (retained)</td> <td>Halted (reset)</td> </tr> <tr> <td>PBC</td> <td></td> <td>(PBC medium-speed operation)</td> <td></td> <td></td> <td></td> <td>(PBC subclock operation)</td> <td></td> <td></td> <td></td> </tr> <tr> <td>PPG</td> <td></td> <td></td> <td></td> <td></td> <td></td> <td></td> <td></td> <td></td> <td></td> </tr> <tr> <td>D/A2, 3</td> <td></td> <td></td> <td></td> <td></td> <td></td> <td></td> <td></td> <td></td> <td></td> </tr> </tbody> </table>	DTC	Functioning	Medium-speed operation	Functioning	Halted (retained)	Halted (retained)	Halted (retained)	Halted (retained)	Halted (retained)	Halted (reset)	TPU	Functioning	Functioning	Functioning	Halted (retained)	Halted (retained)	Halted (retained)	Halted (retained)	Halted (retained)	Halted (reset)	PBC		(PBC medium-speed operation)				(PBC subclock operation)				PPG										D/A2, 3									
DTC	Functioning	Medium-speed operation	Functioning	Halted (retained)	Halted (retained)	Halted (retained)	Halted (retained)	Halted (retained)	Halted (reset)																																											
TPU	Functioning	Functioning	Functioning	Halted (retained)	Halted (retained)	Halted (retained)	Halted (retained)	Halted (retained)	Halted (reset)																																											
PBC		(PBC medium-speed operation)				(PBC subclock operation)																																														
PPG																																																				
D/A2, 3																																																				

21B.5 Module Stop Mode	718	Note *2 deleted from MSTPC5
Table 21B-4 MSTP Bits and Corresponding On-Chip Supporting Modules		

Section	Page	Description
21B.6.3 Setting	720	
Oscillation Stabilization		
Time after Clearing		
Software Standby Mode		
Table 21B-5		
Oscillation Stabilization		
Time Settings		

STS2	STS1	STS0	Standby Time	20 MHz	16 MHz	12 MHz	10 MHz	8 MHz	6 MHz	4 MHz	Unit
0	0	0	8192 states	0.41	0.51	0.68	0.8	1.0	1.3	2.0	ms
		1	16384 states	0.82	1.0	1.3	1.6	2.0	2.7	4.1	
	1	0	32768 states	1.6	2.0	2.7	3.3	4.1	5.5	8.2	
1	0	0	131072 states	6.6	8.2	10.9	13.1	16.4	21.8	32.8	
		1	262144 states	13.1	16.4	21.8	26.2	32.8	43.6	65.6	
	1	0	Reserved	—	—	—	—	—	—	—	μs
		1	16 states*	0.8	1.0	1.3	1.6	2.0	1.7	4.0	

Note amended

Note: \* Do not use this setting.

Using an External Clock

Newly added

Using an External Clock: It is necessary to allow time for the PLL circuit to stabilize. Therefore, the standby time should be set to a value of 2 ms or greater.

21B.13 Usage Notes 728

Newly added

#### 21B.13 Usage Notes

- When making a transition to sub-active mode or watch mode, set the DTC to enter module stop mode (write 1 to the relevant bits in MSTPCR), and then read the relevant bits to confirm that they are set to 1 before mode transition. Do not clear module stop mode (write 0 to the relevant bits in MSTPCR) until a transition from sub-active mode to high-speed mode or medium-speed mode has been performed.  
If a DTC activation source occurs in sub-active mode, the DTC will be activated only after module stop mode has been cleared and high-speed mode or medium-speed mode has been entered.
- The on-chip peripheral modules (DTC and TPU) which halt operation in sub-active mode cannot clear an interrupt in sub-active mode. Therefore, if a transition is made to sub-active mode while an interrupt is requested, the CPU interrupt source cannot be cleared. Disable the interrupts of each on-chip peripheral module before executing a SLEEP instruction to enter sub-active mode or watch mode.

Section	Page	Description					
22.2 DC Characteristics	730 to 732	Conditions changed in 5th line as follows (Incorrect) $V_{ref} = 3.3 \text{ V}$ to $AV_{CC}$ , $V_{SS} = AV_{SS} = 0 \text{ V}$ , (Correct) $V_{ref} = 4.5 \text{ V}$ to $AV_{CC}$ , $V_{SS} = AV_{SS} = 0 \text{ V}$ ,					
Table 22-2 DC Characteristics							
Input leakage current	RES STBY, NMI, HRxD, MD2 to MD0, FWE Port 4, 9	$ I_{in} $	—	—	1.0	$\mu\text{A}$	$V_{in} = 0.5$ to $PV_{CC} - 0.5 \text{ V}$
Three-state leakage current (off state)	Port 1, A to F	$ I_{TSI} $	—	—	1.0	$\mu\text{A}$	$V_{in} = 0.5$ to $PV_{CC} - 0.5 \text{ V}$
MOS input pull-up current	Port A to E	$-I_P$	30	—	300	$\mu\text{A}$	$V_{in} = 0 \text{ V}$
Reference power supply current	During A/D and D/A conversion Idle	$I_{CC}$	—	2.5	4.0	$\text{mA}$	$V_{ref} = 5.0 \text{ V}$
RAM standby voltage	$V_{RAM}$	2.0	—	—	—	$\text{V}$	

#### Notes amended

- Notes: \*1 If the A/D and D/A converter is not used, do not leave the  $AV_{CC}$ ,  $V_{ref}$ , and  $AV_{SS}$  pins open. Apply a voltage between 4.5 V and 5.5 V to the  $AV_{CC}$  and  $V_{ref}$  pins by connecting them to  $PV_{CC}$ , for instance. Set  $V_{ref} \leq AV_{CC}$ .
- \*3 The values are for  $V_{RAM} \leq PV_{CC} < 3.0 \text{ V}$ ,  $V_{IH \text{ min}} = V_{CC} - 0.1 \text{ V}$ , and  $V_{IL \text{ max}} = 0.1 \text{ V}$ .

Section	Page	Description					
22.2 DC Characteristics	733	Conditions changed in 3rd line as follows (Incorrect) $V_{ref} = 3.3 \text{ V}$ to $AV_{CC}$ , $V_{SS} = AV_{SS} = 0 \text{ V}$ , (Correct) $V_{ref} = 4.5 \text{ V}$ to $AV_{CC}$ , $V_{SS} = AV_{SS} = 0 \text{ V}$ ,					
Table 22-3 Permissible Output Currents							
Item		Symbol	Min	Typ	Max	Unit	
Permissible output low current (per pin)	All output pins	$PV_{CC} = 4.5 \text{ V}$ to $5.5 \text{ V}$	$I_{OL}$	—	—	10	$\text{mA}$
Permissible output low current (total)	Total of all output pins	$PV_{CC} = 4.5 \text{ V}$ to $5.5 \text{ V}$	$\sum I_{OL}$	—	—	100	$\text{mA}$
Permissible output high current (per pin)	All output pins	$PV_{CC} = 4.5 \text{ V}$ to $5.5 \text{ V}$	$-I_{OH}$	—	—	2.0	$\text{mA}$
Permissible output high current (total)	Total of all output pins	$PV_{CC} = 4.5 \text{ V}$ to $5.5 \text{ V}$	$\sum -I_{OH}$	—	—	30	$\text{mA}$

Section	Page	Description																		
22.3.1 Clock Timing Table 22-4 Clock Timing	734	<p>Conditions changed in 5th line as follows</p> <p>(Incorrect)  <math>V_{ref} = 3.3 \text{ V to } AV_{CC}, V_{SS} = AV_{SS} = 0 \text{ V}, \phi = 32.768 \text{ kHz}, 2 \text{ to } 20 \text{ MHz}</math></p> <p>(Correct)  <math>V_{ref} = 4.5 \text{ V to } AV_{CC}, V_{SS} = AV_{SS} = 0 \text{ V}, \phi = 32.768 \text{ kHz}, 4 \text{ to } 20 \text{ MHz}</math></p> <table border="1"> <thead> <tr> <th>Item</th> <th>Symbol</th> <th>Min</th> <th>Max</th> <th>Unit</th> <th>Test Conditions</th> </tr> </thead> <tbody> <tr> <td>Clock cycle time</td> <td><math>t_{cyc}</math></td> <td>50</td> <td>250</td> <td>ns</td> <td>Figure 22-2</td> </tr> <tr> <td>Clock high pulse width</td> <td><math>t_{CH}</math></td> <td>15</td> <td>—</td> <td>ns</td> <td></td> </tr> </tbody> </table>	Item	Symbol	Min	Max	Unit	Test Conditions	Clock cycle time	$t_{cyc}$	50	250	ns	Figure 22-2	Clock high pulse width	$t_{CH}$	15	—	ns	
Item	Symbol	Min	Max	Unit	Test Conditions															
Clock cycle time	$t_{cyc}$	50	250	ns	Figure 22-2															
Clock high pulse width	$t_{CH}$	15	—	ns																
22.3.2 Control Signal Timing Table 22-5 Control Signal Timing	735	<p>—Preliminary— deleted</p> <p>Conditions changed in 5th line as follows</p> <p>(Incorrect)  <math>V_{ref} = 3.3 \text{ V to } AV_{CC}, V_{SS} = AV_{SS} = 0 \text{ V}, \phi = 32.768 \text{ kHz}, 2 \text{ to } 20 \text{ MHz}</math></p> <p>(Correct)  <math>V_{ref} = 4.5 \text{ V to } AV_{CC}, V_{SS} = AV_{SS} = 0 \text{ V}, \phi = 32.768 \text{ kHz}, 4 \text{ to } 20 \text{ MHz}</math></p>																		
22.3.3 Bus Timing Table 22-6 Bus Timing	737	<p>Conditions changed in 5th line as follows</p> <p>(Incorrect)  <math>V_{ref} = 3.3 \text{ V to } AV_{CC}, V_{SS} = AV_{SS} = 0 \text{ V}, \phi = 32.768 \text{ kHz}, 2 \text{ to } 20 \text{ MHz}</math></p> <p>(Correct)  <math>V_{ref} = 4.5 \text{ V to } AV_{CC}, V_{SS} = AV_{SS} = 0 \text{ V}, \phi = 32.768 \text{ kHz}, 4 \text{ to } 20 \text{ MHz}</math></p>																		
22.3.4 Timing of On-Chip Supporting Modules Table 22-7 Timing of On-Chip Supporting Modules	743	<p>Conditions changed in 5th line as follows</p> <p>(Incorrect)  <math>V_{ref} = 3.3 \text{ V to } AV_{CC}, V_{SS} = AV_{SS} = 0 \text{ V}, \phi = 32.768 \text{ kHz}, 2 \text{ to } 20 \text{ MHz}</math></p> <p>(Correct)  <math>V_{ref} = 4.5 \text{ V to } AV_{CC}, V_{SS} = AV_{SS} = 0 \text{ V}, \phi = 32.768 \text{ kHz}, 4 \text{ to } 20 \text{ MHz}</math></p>																		
22.4 A/D Conversion Characteristics Table 22-8 A/D Conversion Characteristics	747	<p>Conditions changed in 5th line as follows</p> <p>(Incorrect)  <math>V_{ref} = 4.5 \text{ V to } AV_{CC}, V_{SS} = AV_{SS} = 0 \text{ V}, \phi = 2 \text{ to } 20 \text{ MHz}</math></p> <p>(Correct)  <math>V_{ref} = 4.5 \text{ V to } AV_{CC}, V_{SS} = AV_{SS} = 0 \text{ V}, \phi = 4 \text{ to } 20 \text{ MHz}</math></p>																		
22.5 D/A Conversion Characteristics Table 22-9 D/A Conversion Characteristics	748	<p>Conditions changed in 5th line as follows</p> <p>(Incorrect)  <math>V_{ref} = 4.5 \text{ V to } AV_{CC}, V_{SS} = AV_{SS} = 0 \text{ V}, \phi = 2 \text{ to } 20 \text{ MHz}</math></p> <p>(Correct)  <math>V_{ref} = 4.5 \text{ V to } AV_{CC}, V_{SS} = AV_{SS} = 0 \text{ V}, \phi = 4 \text{ to } 20 \text{ MHz}</math></p>																		
22.6 Flash Memory Characteristics Table 22-9 Flash Memory Characteristics	749	<p>Conditions changed in 5th line as follows</p> <p>(Incorrect)  <math>V_{CC} = 3.0 \text{ V to } 3.6 \text{ V}, AV_{CC} = 3.3 \text{ V to } 5.5 \text{ V}, V_{SS} = AV_{SS} = 0 \text{ V}</math></p> <p>(Correct)  <math>V_{CC} = 3.0 \text{ V to } 3.6 \text{ V}, AV_{CC} = 4.5 \text{ V to } 5.5 \text{ V}, V_{SS} = AV_{SS} = 0 \text{ V}</math></p>																		

Section	Page	Description
A.1 Instruction List	753 to 774	Normal mode deleted
Table A-1		
Instruction Set	758, 759	Table amended

Mnemonic	Operand Size	#xx	Addressing Mode/ Instruction Length (Bytes)						Operation	Condition Code					No. of States*1 Advanced		
			@ERn	@(d,ERn)	@ERn/ERn+	@aa	@(d,PC)	@aa		I	H	N	Z	V		C	
DIVXU	B	2							Rd16←Rs8→Rd16 (RdH: remainder, RdL: quotient) (unsigned division)					[6]	[7]	—	12
DIVXU.W	W	2							ERd32←Rs16→ERd32 (Ed: remainder, Rd: quotient) (unsigned division)					[6]	[7]	—	20
DIVXS	B	4							Rd16←Rs8→Rd16 (RdH: remainder, RdL: quotient) (signed division)					[8]	[7]	—	13
DIVXS.W	W	4							ERd32←Rs16→ERd32 (Ed: remainder, Rd: quotient) (signed division)					[8]	[7]	—	21

MAC	MAC @ERn+,@ERm+	—					4		@ERn×@ERm+MAC→MAC (signed multiplication) ERn+2→ERn,ERm+2→ERm					[10]	[10]	[10]	4
CLRMAC	CLRMAC	—						2	0→MACH,MACL								2 [11]
LDMAC	LDMAC ERs,MACH	L	2						ERs→MACH								2 [11]
	LDMAC ERs,MACL	L	2						ERs→MACL								2 [11]
STMAC	STMAC MACH,ERd	L	2						MACH→ERd					↑	↑	↑	1 [11]
	STMAC MACL,ERd	L	2						MACL→ERd					↑	↑	↑	1 [11]

Section	Page	Description																												
A.1 Instruction List	775	Notes amended																												
Table A-1 Instruction Set		<p>[6] Set to 1 when the divisor is negative; otherwise cleared to 0.</p> <p>[7] Set to 1 when the divisor is zero; otherwise cleared to 0.</p> <p>[8] Set to 1 when the quotient is negative; otherwise cleared to 0.</p> <p>[9] One additional state is required for execution when EXR is valid.</p> <p>[10] MAC instruction results are indicated in the flags when the STMAC instruction is executed.</p> <p>[11] A maximum of three additional states are required for execution of one of these instructions within three states after execution of a MAC instruction. For example, if there is a one-state instruction (such as NOP) between a MAC instruction and one of these instructions, that instruction will be two states longer.</p>																												
A.2 Instruction Codes	785	Table amended																												
Table A-2 Instruction Codes		<table border="1"> <tr> <td>MOVFPPE MOVFPPE @aa:16,Rd</td> <td>B</td> <td>Cannot be used in the H8S/2626 Series or H8S/2623 Series.</td> </tr> <tr> <td>MOVTPPE MOVTPPE Rs,@aa:16</td> <td>B</td> <td></td> </tr> </table>	MOVFPPE MOVFPPE @aa:16,Rd	B	Cannot be used in the H8S/2626 Series or H8S/2623 Series.	MOVTPPE MOVTPPE Rs,@aa:16	B																							
MOVFPPE MOVFPPE @aa:16,Rd	B	Cannot be used in the H8S/2626 Series or H8S/2623 Series.																												
MOVTPPE MOVTPPE Rs,@aa:16	B																													
A.3 Operation Code Map	791	Note added																												
Table A-3 Operation Code Map (1), (2)		Note: * Cannot be used in the H8S/2626 Series and H8S/2623 Series.																												
A.4 Number of States Required for Instruction Execution	800, 801, 804,	Normal mode deleted																												
Table A-5 Number of Cycles in Instruction Execution	805																													
A.5 Bus States during Instruction Execution	811, 813, 817 to 819	Normal mode deleted																												
	815, 818	Table amended																												
		<table border="1"> <thead> <tr> <th>Instruction</th> <th>1</th> <th>2</th> <th>3</th> <th>4</th> <th>5</th> <th>6</th> </tr> </thead> <tbody> <tr> <td>MOVFPPE @aa:16,Rd<sup>*4</sup></td> <td colspan="6">Cannot be used in the H8S/2626 Series or H8S/2623 Series.</td> </tr> <tr> <td>MOVTPPE Rs,@aa:16<sup>*4</sup></td> <td></td> <td></td> <td></td> <td></td> <td></td> <td></td> </tr> <tr> <td>STMAC MACH,ERd</td> <td>R:W NEXT</td> <td></td> <td></td> <td></td> <td></td> <td></td> </tr> </tbody> </table>	Instruction	1	2	3	4	5	6	MOVFPPE @aa:16,Rd <sup>*4</sup>	Cannot be used in the H8S/2626 Series or H8S/2623 Series.						MOVTPPE Rs,@aa:16 <sup>*4</sup>							STMAC MACH,ERd	R:W NEXT					
Instruction	1	2	3	4	5	6																								
MOVFPPE @aa:16,Rd <sup>*4</sup>	Cannot be used in the H8S/2626 Series or H8S/2623 Series.																													
MOVTPPE Rs,@aa:16 <sup>*4</sup>																														
STMAC MACH,ERd	R:W NEXT																													

Section	Page	Description
B.1 Address	840	Data Bus Width amended

Address	Register									Module Name	Data Bus Width
	Name	Bit 7	Bit 6	Bit 5	Bit 4	Bit 3	Bit 2	Bit 1	Bit 0		
HFF90	ADDRA	AD9	AD8	AD7	AD6	AD5	AD4	AD3	AD2	A/D converter	16
HFF91		AD1	AD0	—	—	—	—	—	—		
HFF92	ADDRB	AD9	AD8	AD7	AD6	AD5	AD4	AD3	AD2		
HFF93		AD1	AD0	—	—	—	—	—	—		
HFF94	ADDRC	AD9	AD8	AD7	AD6	AD5	AD4	AD3	AD2		
HFF95		AD1	AD0	—	—	—	—	—	—		
HFF96	ADDRD	AD9	AD8	AD7	AD6	AD5	AD4	AD3	AD2		
HFF97		AD1	AD0	—	—	—	—	—	—		
HFF98	ADCSR	ADF	ADIE	ADST	SCANCH3	CH2	CH1	CH0			
HFF99	ADCR	TRGS1	TRGS0	—	—	CKS1	CKS0	—	—		
HFFA2 (Write)	TCSR1 <sup>4*</sup>	OVF	WT/IT	TME	PSS	RST/NMI	CKS2	CKS1	CKS0	WDT1	16
		TCNT1 <sup>4*</sup>									
HFFA3 (Read)		TCNT1 <sup>4*</sup>									
HFFA8	FLMCR1 <sup>3*</sup>	FWE	SWE1	ESU1	PSU1	EV1	PV1	E1	P1	ROM	8
HFFA9	FLMCR2 <sup>3*</sup>	FLER	—	—	—	—	—	—	—		
HFFAA	EBR1 <sup>3*</sup>	EB7	EB6	EB5	EB4	EB3	EB2	EB1	EB0		
HFFAB	EBR2 <sup>3*</sup>	—	—	—	—	EB11	EB10	EB9	EB8		
HFFAC	FLPWCR	PDWND	—	—	—	—	—	—	—		
HFFB0	PORT1	P17	P16	P15	P14	P13	P12	P11	P10	I/O port	8
HFFB3	PORT4	P47	P46	P45	P44	P43	P42	P41	P40		
HFFB8	PORT9	P97	P96	P95	P94	P93	P92	P91	P90		
HFFB9	PORTA	—	—	PA5	PA4	PA3	PA2	PA1	PA0		
HFFBA	PORTB	PB7	PB6	PB5	PB4	PB3	PB2	PB1	PB0		
HFFBB	PORTC	PC7	PC6	PC5	PC4	PC3	PC2	PC1	PC0		
HFFBC	PORTD	PD7	PD6	PD5	PD4	PD3	PD2	PD1	PD0		
HFFBD	PORTE	PE7	PE6	PE5	PE4	PE3	PE2	PE1	PE0		
HFFBE	PORTF	PF7	PF6	PF5	PF4	PF3	PF2	PF1	PF0		

B.2 Functions	851	TXACK—Transmit Acknowledge Register	H'F80A	HCAN
---------------	-----	-------------------------------------	--------	------

#### TXACK

Bit	:	15	14	13	12	11	10	9	8
		TXACK7	TXACK6	TXACK5	TXACK4	TXACK3	TXACK2	TXACK1	—
Initial value	:	0	0	0	0	0	0	0	0
Read/Write	:	R/(W)*	R/(W)*	R/(W)*	R/(W)*	R/(W)*	R/(W)*	R/(W)*	R
Bit	:	7	6	5	4	3	2	1	0
		TXACK15	TXACK14	TXACK13	TXACK12	TXACK11	TXACK10	TXACK9	TXACK8
Initial value	:	0	0	0	0	0	0	0	0
Read/Write	:	R/(W)*	R/(W)*	R/(W)*	R/(W)*	R/(W)*	R/(W)*	R/(W)*	R/(W)*

Note added

Note: \* Can only be written with 1 for flag clearing.



**ABACK**

Bit	:	15	14	13	12	11	10	9	8
		ABACK7	ABACK6	ABACK5	ABACK4	ABACK3	ABACK2	ABACK1	—
Initial value :		0	0	0	0	0	0	0	0
Read/Write :		R/(W)*	R/(W)*	R/(W)*	R/(W)*	R/(W)*	R/(W)*	R/(W)*	R
Bit	:	7	6	5	4	3	2	1	0
		ABACK15	ABACK14	ABACK13	ABACK12	ABACK11	ABACK10	ABACK9	ABACK8
Initial value :		0	0	0	0	0	0	0	0
Read/Write :		R/(W)*	R/(W)*	R/(W)*	R/(W)*	R/(W)*	R/(W)*	R/(W)*	R/(W)*

Note added

Note: \* Can only be written with 1 for flag clearing.

**RXPR**

Bit	:	15	14	13	12	11	10	9	8
		RXPR7	RXPR6	RXPR5	RXPR4	RXPR3	RXPR2	RXPR1	RXPR0
Initial value :		0	0	0	0	0	0	0	0
Read/Write :		R/(W)*	R/(W)*	R/(W)*	R/(W)*	R/(W)*	R/(W)*	R/(W)*	R/(W)*
Bit	:	7	6	5	4	3	2	1	0
		RXPR15	RXPR14	RXPR13	RXPR12	RXPR11	RXPR10	RXPR9	RXPR8
Initial value :		0	0	0	0	0	0	0	0
Read/Write :		R/(W)*	R/(W)*	R/(W)*	R/(W)*	R/(W)*	R/(W)*	R/(W)*	R/(W)*

Note added

Note: \* Can only be written with 1 for flag clearing.

**RFPR**

Bit	:	15	14	13	12	11	10	9	8
		RFPR7	RFPR6	RFPR5	RFPR4	RFPR3	RFPR2	RFPR1	RFPR0
Initial value :		0	0	0	0	0	0	0	0
Read/Write :		R/(W)*	R/(W)*	R/(W)*	R/(W)*	R/(W)*	R/(W)*	R/(W)*	R/(W)*
Bit	:	7	6	5	4	3	2	1	0
		RFPR15	RFPR14	RFPR13	RFPR12	RFPR11	RFPR10	RFPR9	RFPR8
Initial value :		0	0	0	0	0	0	0	0
Read/Write :		R/(W)*	R/(W)*	R/(W)*	R/(W)*	R/(W)*	R/(W)*	R/(W)*	R/(W)*

Note added

Note: \* Can only be written with 1 for flag clearing.

B.2 Functions

853,  
854

IRR—Interrupt Register H'F812 HCAN

**IRR**

Bit	:	15	14	13	12	11	10	9	8
		IRR7	IRR6	IRR5	IRR4	IRR3	IRR2	IRR1	IRR0
Initial value :		0	0	0	0	0	0	0	0
Read/Write :		R/(W)*	R/(W)*	R/(W)*	R/(W)*	R/(W)*	R	R	R/(W)*
Bit	:	7	6	5	4	3	2	1	0
		—	—	—	IRR12	—	—	IRR9	IRR8
Initial value :		0	0	0	0	0	0	0	0
Read/Write :		—	—	—	R/(W)*	—	—	R	R/(W)*

**Note added**

**Note:** \* Can only be written with 1 for flag clearing.

858

**UMSR**

Bit	:	15	14	13	12	11	10	9	8
		UMSR7	UMSR6	UMSR5	UMSR4	UMSR3	UMSR2	UMSR1	UMSR0
Initial value :		0	0	0	0	0	0	0	0
Read/Write :		R/(W)*	R/(W)*	R/(W)*	R/(W)*	R/(W)*	R/(W)*	R/(W)*	R/(W)*
Bit	:	7	6	5	4	3	2	1	0
		UMSR15	UMSR14	UMSR13	UMSR12	UMSR11	UMSR10	UMSR9	UMSR8
Initial value :		0	0	0	0	0	0	0	0
Read/Write :		R/(W)*	R/(W)*	R/(W)*	R/(W)*	R/(W)*	R/(W)*	R/(W)*	R/(W)*

**Note added**

**Note:** \* Can only be written with 1 for flag clearing.

861

MC1—Message Control H'F828 HCAN

(Incorrect) x = 0 → (Correct) x = 1

862

MC2—Message Control H'F830 HCAN

(Incorrect) x = 0 → (Correct) x = 2

863

MC3—Message Control H'F838 HCAN

(Incorrect) x = 0 → (Correct) x = 3

864

MC4—Message Control H'F840 HCAN

(Incorrect) x = 0 → (Correct) x = 4

865

MC5—Message Control H'F848 HCAN

(Incorrect) x = 0 → (Correct) x = 5

866

C6—Message Control H'F850 HCAN

(Incorrect) x = 0 → (Correct) x = 6

867

MC7—Message Control H'F858 HCAN

(Incorrect) x = 0 → (Correct) x = 7

868

MC8—Message Control H'F860 HCAN

(Incorrect) x = 0 → (Correct) x = 8

869

MC9—Message Control H'F868 HCAN

(Incorrect) x = 0 → (Correct) x = 9

Section	Page	Description																																				
B.2 Functions	870	MC10—Message Control H'F870 HCAN (Incorrect) x = 0 → (Correct) x = <b>10</b>																																				
	871	MC11—Message Control H'F878 HCAN (Incorrect) x = 0 → (Correct) x = <b>11</b>																																				
	872	MC12—Message Control H'F880 HCAN (Incorrect) x = 0 → (Correct) x = <b>12</b>																																				
	873	MC13—Message Control H'F888 HCAN (Incorrect) x = 0 → (Correct) x = <b>13</b>																																				
	874	MC14—Message Control H'F890 HCAN (Incorrect) x = 0 → (Correct) x = <b>14</b>																																				
	875	MC15—Message Control H'F898 HCAN (Incorrect) x = 0 → (Correct) x = <b>15</b>																																				
	881	SCKCR—System Clock Control Register H'FDE6 Clock Pulse Generator, Power-Down Note amended Note: * Subclock functions (subactive mode, subsleep mode, and watch mode) and direct transition are not available in the H8S/2623 Series, but are available in the H8S/2626 Series.																																				
	930	PFDR—Port F Data Register H'FF0E Port F <table border="1" style="margin-left: 40px;"> <tr> <td>Bit</td> <td>7</td> <td>6</td> <td>5</td> <td>4</td> <td>3</td> <td>2</td> <td>1</td> <td>0</td> </tr> <tr> <td></td> <td style="background-color: #cccccc;">—</td> <td>PF6DR</td> <td>PF5DR</td> <td>PF4DR</td> <td>PF3DR</td> <td>PF2DR</td> <td>PF1DR</td> <td>PF0DR</td> </tr> <tr> <td>Initial value :</td> <td>0</td> <td>0</td> <td>0</td> <td>0</td> <td>0</td> <td>0</td> <td>0</td> <td>0</td> </tr> <tr> <td>Read/Write :</td> <td>R/W</td> <td>R/W</td> <td>R/W</td> <td>R/W</td> <td>R/W</td> <td>R/W</td> <td>R/W</td> <td>R/W</td> </tr> </table> <p style="text-align: center; margin-left: 100px;">Stores output data for port F pins (PF6 to PF0)</p>	Bit	7	6	5	4	3	2	1	0		—	PF6DR	PF5DR	PF4DR	PF3DR	PF2DR	PF1DR	PF0DR	Initial value :	0	0	0	0	0	0	0	0	Read/Write :	R/W	R/W	R/W	R/W	R/W	R/W	R/W	R/W
	Bit	7	6	5	4	3	2	1	0																													
		—	PF6DR	PF5DR	PF4DR	PF3DR	PF2DR	PF1DR	PF0DR																													
Initial value :	0	0	0	0	0	0	0	0																														
Read/Write :	R/W	R/W	R/W	R/W	R/W	R/W	R/W	R/W																														
979	ADDRA—A/D Data Register A H'FF90 A/D Converter ADDRB—A/D Data Register B H'FF92 A/D Converter ADDRC—A/D Data Register C H'FF94 A/D Converter ADDRD—A/D Data Register D H'FF96 A/D Converter Note added Note: The upper byte can be read directly, but for the lower byte, data transfer is performed via a temporary register (TEMP). For details, see section 16.3, Interface to Bus Master.																																					
C.4 Port A Block Diagrams	1000	(Incorrect) SCK input enable, SCK input (Correct) <b>RxD</b> input enable, <b>RxD</b> input																																				
Figure C-4 (c) Port A Block Diagram (Pin PA2)																																						

Figure C-9 (i) Port F Block Diagram (Pin PF7)

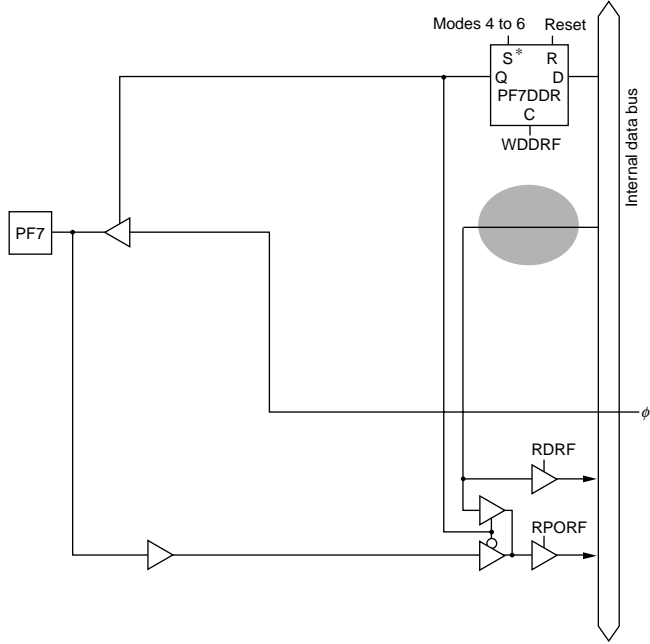


Table F-1 H8S/2626 Series and H8S/2623 Series Product Code Lineup

# Contents

Section 1	Overview .....	1
1.1	Overview.....	1
1.2	Internal Block Diagram .....	6
1.3	Pin Descriptions.....	8
1.3.1	Pin Arrangement .....	8
1.3.2	Pin Functions in Each Operating Mode.....	10
1.3.3	Pin Functions.....	18
Section 2	CPU.....	23
2.1	Overview.....	23
2.1.1	Features .....	23
2.1.2	Differences between H8S/2600 CPU and H8S/2000 CPU .....	24
2.1.3	Differences from H8/300 CPU.....	25
2.1.4	Differences from H8/300H CPU.....	25
2.2	CPU Operating Modes .....	26
2.3	Address Space.....	31
2.4	Register Configuration .....	32
2.4.1	Overview .....	32
2.4.2	General Registers.....	33
2.4.3	Control Registers.....	34
2.4.4	Initial Register Values.....	36
2.5	Data Formats.....	37
2.5.1	General Register Data Formats .....	37
2.5.2	Memory Data Formats.....	39
2.6	Instruction Set.....	40
2.6.1	Overview .....	40
2.6.2	Instructions and Addressing Modes .....	41
2.6.3	Table of Instructions Classified by Function.....	43
2.6.4	Basic Instruction Formats.....	52
2.7	Addressing Modes and Effective Address Calculation .....	54
2.7.1	Addressing Mode.....	54
2.7.2	Effective Address Calculation.....	57
2.8	Processing States .....	61
2.8.1	Overview .....	61
2.8.2	Reset State .....	62
2.8.3	Exception-Handling State .....	63
2.8.4	Program Execution State.....	66
2.8.5	Bus-Released State .....	66
2.8.6	Power-Down State.....	66

2.9	Basic Timing.....	67
2.9.1	Overview .....	67
2.9.2	On-Chip Memory (ROM, RAM) .....	67
2.9.3	On-Chip Supporting Module Access Timing.....	69
2.9.4	On-Chip HCAN Module Access Timing .....	71
2.9.5	External Address Space Access Timing.....	72
2.10	Usage Note .....	72
2.10.1	TAS Instruction .....	72
<b>Section 3 MCU Operating Modes .....</b>		<b>73</b>
3.1	Overview.....	73
3.1.1	Operating Mode Selection.....	73
3.1.2	Register Configuration .....	74
3.2	Register Descriptions.....	74
3.2.1	Mode Control Register (MDCR).....	74
3.2.2	System Control Register (SYSCR) .....	75
3.2.3	Pin Function Control Register (PFCR) .....	76
3.3	Operating Mode Descriptions.....	78
3.3.1	Mode 4.....	78
3.3.2	Mode 5.....	78
3.3.3	Mode 6.....	78
3.3.4	Mode 7.....	78
3.4	Pin Functions in Each Operating Mode.....	79
3.5	Address Map in Each Operating Mode .....	79
<b>Section 4 Exception Handling.....</b>		<b>83</b>
4.1	Overview.....	83
4.1.1	Exception Handling Types and Priority .....	83
4.1.2	Exception Handling Operation .....	84
4.1.3	Exception Vector Table.....	84
4.2	Reset .....	86
4.2.1	Overview .....	86
4.2.2	Reset Sequence .....	86
4.2.3	Interrupts after Reset .....	88
4.2.4	State of On-Chip Supporting Modules after Reset Release .....	88
4.3	Traces .....	89
4.4	Interrupts.....	90
4.5	Trap Instruction .....	91
4.6	Stack Status after Exception Handling .....	92
4.7	Notes on Use of the Stack.....	93
<b>Section 5 Interrupt Controller .....</b>		<b>95</b>
5.1	Overview.....	95

5.1.1	Features .....	95
5.1.2	Block Diagram.....	96
5.1.3	Pin Configuration .....	97
5.1.4	Register Configuration .....	97
5.2	Register Descriptions.....	98
5.2.1	System Control Register (SYSCR).....	98
5.2.2	Interrupt Priority Registers A to K, M (IPRA to IPRK, IPRM).....	99
5.2.3	IRQ Enable Register (IER) .....	100
5.2.4	IRQ Sense Control Registers H and L (ISCRH, ISCL).....	101
5.2.5	IRQ Status Register (ISR).....	102
5.3	Interrupt Sources.....	103
5.3.1	External Interrupts.....	103
5.3.2	Internal Interrupts .....	104
5.3.3	Interrupt Exception Handling Vector Table .....	104
5.4	Interrupt Operation .....	108
5.4.1	Interrupt Control Modes and Interrupt Operation.....	108
5.4.2	Interrupt Control Mode 0.....	111
5.4.3	Interrupt Control Mode 2.....	113
5.4.4	Interrupt Exception Handling Sequence .....	115
5.4.5	Interrupt Response Times.....	116
5.5	Usage Notes .....	117
5.5.1	Contention between Interrupt Generation and Disabling .....	117
5.5.2	Instructions that Disable Interrupts .....	118
5.5.3	Times when Interrupts are Disabled.....	118
5.5.4	Interrupts during Execution of EEPMOV Instruction.....	119
5.6	DTC Activation by Interrupt .....	119
5.6.1	Overview .....	119
5.6.2	Block Diagram.....	119
5.6.3	Operation.....	120
<b>Section 6 PC Break Controller (PBC).....</b>		<b>123</b>
6.1	Overview.....	123
6.1.1	Features .....	123
6.1.2	Block Diagram.....	124
6.1.3	Register Configuration .....	125
6.2	Register Descriptions.....	125
6.2.1	Break Address Register A (BARA) .....	125
6.2.2	Break Address Register B (BARB).....	126
6.2.3	Break Control Register A (BCRA) .....	126
6.2.4	Break Control Register B (BCRB).....	128
6.2.5	Module Stop Control Register C (MSTPCRC).....	128
6.3	Operation .....	129
6.3.1	PC Break Interrupt Due to Instruction Fetch.....	129

6.3.2	PC Break Interrupt Due to Data Access .....	129
6.3.3	Notes on PC Break Interrupt Handling .....	130
6.3.4	Operation in Transitions to Power-Down Modes .....	130
6.3.5	PC Break Operation in Continuous Data Transfer .....	131
6.3.6	When Instruction Execution is Delayed by One State .....	132
6.3.7	Additional Notes .....	133
<b>Section 7</b>	<b>Bus Controller.....</b>	<b>135</b>
7.1	Overview.....	135
7.1.1	Features .....	135
7.1.2	Block Diagram.....	136
7.1.3	Pin Configuration .....	137
7.1.4	Register Configuration .....	138
7.2	Register Descriptions.....	139
7.2.1	Bus Width Control Register (ABWCR).....	139
7.2.2	Access State Control Register (ASTCR).....	140
7.2.3	Wait Control Registers H and L (WCRH, WCRL).....	141
7.2.4	Bus Control Register H (BCRH).....	145
7.2.5	Bus Control Register L (BCRL).....	147
7.2.6	Pin Function Control Register (PFCR) .....	148
7.3	Overview of Bus Control.....	150
7.3.1	Area Partitioning .....	150
7.3.2	Bus Specifications .....	151
7.3.3	Memory Interfaces.....	152
7.3.4	Interface Specifications for Each Area.....	153
7.4	Basic Bus Interface.....	154
7.4.1	Overview .....	154
7.4.2	Data Size and Data Alignment .....	154
7.4.3	Valid Strobes .....	156
7.4.4	Basic Timing .....	157
7.4.5	Wait Control .....	165
7.5	Burst ROM Interface .....	167
7.5.1	Overview .....	167
7.5.2	Basic Timing .....	167
7.5.3	Wait Control .....	169
7.6	Idle Cycle.....	170
7.6.1	Operation .....	170
7.6.2	Pin States in Idle Cycle .....	172
7.7	Write Data Buffer Function .....	173
7.8	Bus Release.....	174
7.8.1	Overview .....	174
7.8.2	Operation .....	174
7.8.3	Pin States in External Bus Released State.....	175



7.8.4	Transition Timing .....	176
7.8.5	Usage Note .....	177
7.9	Bus Arbitration .....	177
7.9.1	Overview .....	177
7.9.2	Operation .....	177
7.9.3	Bus Transfer Timing .....	178
7.10	Resets and the Bus Controller.....	178
<b>Section 8 Data Transfer Controller (DTC) .....</b>		<b>179</b>
8.1	Overview.....	179
8.1.1	Features .....	179
8.1.2	Block Diagram.....	180
8.1.3	Register Configuration .....	181
8.2	Register Descriptions.....	182
8.2.1	DTC Mode Register A (MRA).....	182
8.2.2	DTC Mode Register B (MRB) .....	184
8.2.3	DTC Source Address Register (SAR).....	185
8.2.4	DTC Destination Address Register (DAR).....	185
8.2.5	DTC Transfer Count Register A (CRA) .....	185
8.2.6	DTC Transfer Count Register B (CRB).....	186
8.2.7	DTC Enable Registers (DTCER) .....	186
8.2.8	DTC Vector Register (DTVECR).....	187
8.2.9	Module Stop Control Register A (MSTPCRA).....	188
8.3	Operation .....	189
8.3.1	Overview .....	189
8.3.2	Activation Sources.....	191
8.3.3	DTC Vector Table .....	192
8.3.4	Location of Register Information in Address Space .....	195
8.3.5	Normal Mode.....	196
8.3.6	Repeat Mode .....	197
8.3.7	Block Transfer Mode.....	198
8.3.8	Chain Transfer.....	200
8.3.9	Operation Timing .....	201
8.3.10	Number of DTC Execution States.....	202
8.3.11	Procedures for Using DTC .....	204
8.3.12	Examples of Use of the DTC.....	205
8.4	Interrupts.....	208
8.5	Usage Notes .....	208
<b>Section 9 I/O Ports .....</b>		<b>209</b>
9.1	Overview.....	209
9.2	Port 1.....	213
9.2.1	Overview .....	213

9.2.2	Register Configuration .....	214
9.2.3	Pin Functions .....	216
9.3	Port 4 .....	228
9.3.1	Overview .....	228
9.3.2	Register Configuration .....	229
9.3.3	Pin Functions .....	229
9.4	Port 9 .....	230
9.4.1	Overview .....	230
9.4.2	Register Configuration .....	231
9.4.3	Pin Functions .....	231
9.5	Port A .....	232
9.5.1	Overview .....	232
9.5.2	Register Configuration .....	233
9.5.3	Pin Functions .....	236
9.5.4	MOS Input Pull-Up Function .....	239
9.6	Port B .....	240
9.6.1	Overview .....	240
9.6.2	Register Configuration .....	241
9.6.3	Pin Functions .....	243
9.6.4	MOS Input Pull-Up Function .....	252
9.7	Port C .....	253
9.7.1	Overview .....	253
9.7.2	Register Configuration .....	254
9.7.3	Pin Functions .....	257
9.7.4	MOS Input Pull-Up Function .....	262
9.8	Port D .....	263
9.8.1	Overview .....	263
9.8.2	Register Configuration .....	264
9.8.3	Pin Functions .....	266
9.8.4	MOS Input Pull-Up Function .....	267
9.9	Port E .....	268
9.9.1	Overview .....	268
9.9.2	Register Configuration .....	269
9.9.3	Pin Functions .....	271
9.9.4	MOS Input Pull-Up Function .....	272
9.10	Port F .....	273
9.10.1	Overview .....	273
9.10.2	Register Configuration .....	274
9.10.3	Pin Functions .....	276
Section 10 16-Bit Timer Pulse Unit (TPU) .....		279
10.1	Overview .....	279
10.1.1	Features .....	279

10.1.2	Block Diagram.....	283
10.1.3	Pin Configuration .....	284
10.1.4	Register Configuration .....	286
10.2	Register Descriptions.....	288
10.2.1	Timer Control Register (TCR) .....	288
10.2.2	Timer Mode Register (TMDR) .....	293
10.2.3	Timer I/O Control Register (TIOR) .....	295
10.2.4	Timer Interrupt Enable Register (TIER) .....	308
10.2.5	Timer Status Register (TSR).....	311
10.2.6	Timer Counter (TCNT) .....	315
10.2.7	Timer General Register (TGR) .....	316
10.2.8	Timer Start Register (TSTR).....	317
10.2.9	Timer Synchro Register (TSYR).....	318
10.2.10	Module Stop Control Register A (MSTPCRA) .....	319
10.3	Interface to Bus Master.....	320
10.3.1	16-Bit Registers.....	320
10.3.2	8-Bit Registers.....	320
10.4	Operation .....	322
10.4.1	Overview .....	322
10.4.2	Basic Functions .....	323
10.4.3	Synchronous Operation .....	329
10.4.4	Buffer Operation .....	331
10.4.5	Cascaded Operation.....	335
10.4.6	PWM Modes .....	337
10.4.7	Phase Counting Mode .....	342
10.5	Interrupts.....	349
10.5.1	Interrupt Sources and Priorities .....	349
10.5.2	DTC Activation .....	351
10.5.3	A/D Converter Activation .....	351
10.6	Operation Timing .....	352
10.6.1	Input/Output Timing.....	352
10.6.2	Interrupt Signal Timing.....	356
10.7	Usage Notes .....	360
<b>Section 11 Programmable Pulse Generator (PPG) .....</b>		<b>371</b>
11.1	Overview.....	371
11.1.1	Features .....	371
11.1.2	Block Diagram.....	372
11.1.3	Pin Configuration .....	373
11.1.4	Registers .....	374
11.2	Register Descriptions.....	375
11.2.1	Next Data Enable Registers H and L (NDERH, NDERL).....	375
11.2.2	Output Data Registers H and L (PODRH, PODRL).....	376

11.2.3	Next Data Registers H and L (NDRH, NDRL).....	377
11.2.4	Notes on NDR Access.....	377
11.2.5	PPG Output Control Register (PCR).....	379
11.2.6	PPG Output Mode Register (PMR).....	381
11.2.7	Port 1 Data Direction Register (P1DDR).....	384
11.2.8	Module Stop Control Register A (MSTPCRA).....	384
11.3	Operation .....	385
11.3.1	Overview .....	385
11.3.2	Output Timing.....	386
11.3.3	Normal Pulse Output.....	387
11.3.4	Non-Overlapping Pulse Output.....	389
11.3.5	Inverted Pulse Output.....	392
11.3.6	Pulse Output Triggered by Input Capture .....	393
11.4	Usage Notes .....	394
<b>Section 12 Watchdog Timer .....</b>		<b>397</b>
12.1	Overview.....	397
12.1.1	Features .....	397
12.1.2	Block Diagram.....	398
12.1.3	Pin Configuration .....	400
12.1.4	Register Configuration .....	400
12.2	Register Descriptions.....	401
12.2.1	Timer Counter (TCNT).....	401
12.2.2	Timer Control/Status Register (TCSR).....	401
12.2.3	Reset Control/Status Register (RSTCSR).....	406
12.2.4	Pin Function Control Register (PFCR) .....	407
12.2.5	Notes on Register Access .....	408
12.3	Operation .....	410
12.3.1	Watchdog Timer Operation.....	410
12.3.2	Interval Timer Operation.....	412
12.3.3	Timing of Setting Overflow Flag (OVF).....	412
12.3.4	Timing of Setting of Watchdog Timer Overflow Flag (WOVF) .....	413
12.4	Interrupts.....	414
12.5	Usage Notes .....	414
12.5.1	Contention between Timer Counter (TCNT) Write and Increment .....	414
12.5.2	Changing Value of PSS and CKS2 to CKS0.....	415
12.5.3	Switching between Watchdog Timer Mode and Interval Timer Mode.....	415
12.5.4	System Reset by $\overline{\text{WDTOVF}}$ Signal.....	415
12.5.5	Internal Reset in Watchdog Timer Mode .....	415
12.5.6	OVF Flag Clearing in Interval Timer Mode .....	416
<b>Section 13 Serial Communication Interface (SCI) .....</b>		<b>417</b>
13.1	Overview .....	417

13.1.1	Features .....	417
13.1.2	Block Diagram.....	419
13.1.3	Pin Configuration .....	420
13.1.4	Register Configuration .....	421
13.2	Register Descriptions.....	422
13.2.1	Receive Shift Register (RSR).....	422
13.2.2	Receive Data Register (RDR).....	422
13.2.3	Transmit Shift Register (TSR).....	423
13.2.4	Transmit Data Register (TDR).....	423
13.2.5	Serial Mode Register (SMR).....	424
13.2.6	Serial Control Register (SCR).....	427
13.2.7	Serial Status Register (SSR).....	431
13.2.8	Bit Rate Register (BRR).....	435
13.2.9	Smart Card Mode Register (SCMR).....	443
13.2.10	Module Stop Control Register B (MSTPCRB).....	444
13.3	Operation .....	446
13.3.1	Overview .....	446
13.3.2	Operation in Asynchronous Mode.....	448
13.3.3	Multiprocessor Communication Function.....	459
13.3.4	Operation in Clocked Synchronous Mode .....	467
13.4	SCI Interrupts .....	475
13.5	Usage Notes .....	477
 <b>Section 14 Smart Card Interface.....</b>		<b>487</b>
14.1	Overview.....	487
14.1.1	Features .....	487
14.1.2	Block Diagram.....	488
14.1.3	Pin Configuration .....	489
14.1.4	Register Configuration .....	490
14.2	Register Descriptions.....	491
14.2.1	Smart Card Mode Register (SCMR).....	491
14.2.2	Serial Status Register (SSR).....	493
14.2.3	Serial Mode Register (SMR).....	495
14.2.4	Serial Control Register (SCR).....	497
14.3	Operation .....	498
14.3.1	Overview .....	498
14.3.2	Pin Connections.....	498
14.3.3	Data Format.....	500
14.3.4	Register Settings .....	502
14.3.5	Clock .....	504
14.3.6	Data Transfer Operations .....	506
14.3.7	Operation in GSM Mode.....	513
14.3.8	Operation in Block Transfer Mode .....	514

14.4	Usage Notes .....	515
Section 15	Hitachi Controller Area Network (HCAN) .....	519
15.1	Overview.....	519
15.1.1	Features .....	519
15.1.2	Block Diagram.....	520
15.1.3	Pin Configuration .....	521
15.1.4	Register Configuration .....	522
15.2	Register Descriptions.....	524
15.2.1	Master Control Register (MCR).....	524
15.2.2	General Status Register (GSR).....	525
15.2.3	Bit Configuration Register (BCR).....	527
15.2.4	Mailbox Configuration Register (MBCR).....	529
15.2.5	Transmit Wait Register (TXPR) .....	530
15.2.6	Transmit Wait Cancel Register (TXCR).....	531
15.2.7	Transmit Acknowledge Register (TXACK) .....	532
15.2.8	Abort Acknowledge Register (ABACK).....	533
15.2.9	Receive Complete Register (RXPR).....	534
15.2.10	Remote Request Register (RFPR).....	535
15.2.11	Interrupt Register (IRR) .....	536
15.2.12	Mailbox Interrupt Mask Register (MBIMR).....	540
15.2.13	Interrupt Mask Register (IMR) .....	541
15.2.14	Receive Error Counter (REC) .....	543
15.2.15	Transmit Error Counter (TEC) .....	544
15.2.16	Unread Message Status Register (UMSR) .....	544
15.2.17	Local Acceptance Filter Masks (LAFML, LAFMH).....	545
15.2.18	Message Control (MC0 to MC15).....	547
15.2.19	Message Data (MD0 to MD15).....	551
15.2.20	Module Stop Control Register C (MSTPCRC).....	553
15.3	Operation .....	554
15.3.1	Hardware and Software Resets .....	554
15.3.2	Initialization after Hardware Reset .....	557
15.3.3	Transmit Mode .....	561
15.3.4	Receive Mode.....	568
15.3.5	HCAN Sleep Mode .....	574
15.3.6	HCAN Halt Mode .....	576
15.3.7	Interrupt Interface.....	576
15.3.8	DTC Interface.....	577
15.4	CAN Bus Interface .....	578
15.5	Usage Notes .....	579
Section 16	A/D Converter .....	581
16.1	Overview.....	581

16.1.1	Features .....	581
16.1.2	Block Diagram.....	582
16.1.3	Pin Configuration .....	583
16.1.4	Register Configuration .....	584
16.2	Register Descriptions.....	585
16.2.1	A/D Data Registers A to D (ADDRA to ADDR D).....	585
16.2.2	A/D Control/Status Register (ADCSR).....	586
16.2.3	A/D Control Register (ADCR).....	589
16.2.4	Module Stop Control Register A (MSTPCRA).....	590
16.3	Interface to Bus Master.....	591
16.4	Operation .....	592
16.4.1	Single Mode (SCAN = 0).....	592
16.4.2	Scan Mode (SCAN = 1) .....	594
16.4.3	Input Sampling and A/D Conversion Time.....	596
16.4.4	External Trigger Input Timing .....	597
16.5	Interrupts.....	598
16.6	Usage Notes .....	598
Section 17 D/A Converter [Provided in the H8S/2626 Series only] .....		603
17.1	Overview.....	603
17.1.1	Features .....	603
17.1.2	Block Diagram.....	604
17.1.3	Pin Configuration .....	605
17.1.4	Register Configuration .....	605
17.2	Register Descriptions.....	606
17.2.1	D/A Data Registers 2 and 3 (DADR2, DADR3).....	606
17.2.2	D/A Control Register 23 (DACR23).....	606
17.2.3	Module Stop Control Register C (MSTPCRC).....	608
17.3	Operation .....	609
Section 18 RAM.....		611
18.1	Overview.....	611
18.1.1	Block Diagram.....	611
18.1.2	Register Configuration .....	612
18.2	Register Descriptions.....	612
18.2.1	System Control Register (SYSCR) .....	612
18.3	Operation .....	613
18.4	Usage Notes .....	613
Section 19 ROM.....		615
19.1	Features.....	615
19.2	Overview.....	616
19.2.1	Block Diagram.....	616

19.2.2	Mode Transitions.....	617
19.2.3	On-Board Programming Modes .....	618
19.2.4	Flash Memory Emulation in RAM.....	620
19.2.5	Differences between Boot Mode and User Program Mode.....	621
19.2.6	Block Configuration .....	622
19.3	Pin Configuration .....	622
19.4	Register Configuration .....	623
19.5	Register Descriptions.....	623
19.5.1	Flash Memory Control Register 1 (FLMCR1).....	623
19.5.2	Flash Memory Control Register 2 (FLMCR2).....	626
19.5.3	Erase Block Register 1 (EBR1).....	627
19.5.4	Erase Block Register 2 (EBR2).....	627
19.5.5	RAM Emulation Register (RAMER) .....	628
19.5.6	Flash Memory Power Control Register (FLPWCR).....	629
19.5.7	Serial Control Register X (SCRX) .....	630
19.6	On-Board Programming Modes .....	631
19.6.1	Boot Mode.....	631
19.6.2	User Program Mode .....	636
19.7	Flash Memory Programming/Erasing.....	638
19.7.1	Program Mode.....	640
19.7.2	Program-Verify Mode .....	641
19.7.3	Erase Mode.....	645
19.7.4	Erase-Verify Mode .....	645
19.8	Protection.....	647
19.8.1	Hardware Protection.....	647
19.8.2	Software Protection.....	648
19.8.3	Error Protection .....	649
19.9	Flash Memory Emulation in RAM.....	651
19.10	Interrupt Handling when Programming/Erasing Flash Memory .....	653
19.11	Flash Memory Programmer Mode .....	653
19.11.1	Socket Adapter Pin Correspondence Diagram .....	654
19.11.2	Programmer Mode Operation.....	656
19.11.3	Memory Read Mode.....	657
19.11.4	Auto-Program Mode .....	660
19.11.5	Auto-Erase Mode.....	662
19.11.6	Status Read Mode.....	664
19.11.7	Status Polling.....	665
19.11.8	Programmer Mode Transition Time.....	665
19.11.9	Notes on Memory Programming.....	666
19.12	Flash Memory and Power-Down States .....	667
19.12.1	Note on Power-Down States .....	667
19.13	Flash Memory Programming and Erasing Precautions .....	668
19.14	Note on Switching from F-ZTAT Version to Mask ROM Version .....	673



Section 20	Clock Pulse Generator .....	675
20.1	Overview.....	675
20.1.1	Block Diagram.....	676
20.1.2	Register Configuration .....	676
20.2	Register Descriptions.....	677
20.2.1	System Clock Control Register (SCKCR) .....	677
20.2.2	Low-Power Control Register (LPWRCR).....	678
20.3	Oscillator.....	679
20.3.1	Connecting a Crystal Resonator .....	679
20.3.2	External Clock Input .....	682
20.4	PLL Circuit.....	684
20.5	Medium-Speed Clock Divider.....	684
20.6	Bus Master Clock Selection Circuit .....	684
20.7	Subclock Oscillator (H8S/2626 Series Only).....	685
20.8	Subclock Waveform Shaping Circuit (H8S/2626 Series Only) .....	686
20.9	Note on Crystal Resonator.....	686
Section 21A	Power-Down Modes [H8S/2623 Series] .....	687
21A.1	Overview .....	687
21A.1.1	Register Configuration .....	690
21A.2	Register Descriptions.....	690
21A.2.1	Standby Control Register (SBYCR) .....	690
21A.2.2	System Clock Control Register (SCKCR) .....	692
21A.2.3	Low-Power Control Register (LPWRCR).....	693
21A.2.4	Module Stop Control Register (MSTPCR) .....	694
21A.3	Medium-Speed Mode .....	695
21A.4	Sleep Mode.....	696
21A.4.1	Sleep Mode.....	696
21A.4.2	Exiting Sleep Mode.....	696
21A.5	Module Stop Mode .....	696
21A.5.1	Module Stop Mode.....	696
21A.5.2	Usage Notes.....	698
21A.6	Software Standby Mode .....	698
21A.6.1	Software Standby Mode .....	698
21A.6.2	Clearing Software Standby Mode .....	698
21A.6.3	Setting Oscillation Stabilization Time after Clearing Software Standby Mode .....	699
21A.6.4	Software Standby Mode Application Example.....	700
21A.6.5	Usage Notes.....	701
21A.7	Hardware Standby Mode.....	701
21A.7.1	Hardware Standby Mode.....	701
21A.7.2	Hardware Standby Mode Timing .....	702
21A.8	∅ Clock Output Disabling Function.....	702

Section 21B	Power-Down Modes [H8S/2626 Series]	703
21B.1	Overview	703
21B.1.1	Register Configuration	707
21B.2	Register Descriptions	708
21B.2.1	Standby Control Register (SBYCR)	708
21B.2.2	System Clock Control Register (SCKCR)	710
21B.2.3	Low-Power Control Register (LPWRCR)	711
21B.2.4	Timer Control/Status Register (TCSR)	713
21B.2.5	Module Stop Control Register (MSTPCR)	715
21B.3	Medium-Speed Mode	716
21B.4	Sleep Mode	717
21B.4.1	Sleep Mode	717
21B.4.2	Exiting Sleep Mode	717
21B.5	Module Stop Mode	717
21B.5.1	Module Stop Mode	717
21B.5.2	Usage Notes	719
21B.6	Software Standby Mode	719
21B.6.1	Software Standby Mode	719
21B.6.2	Clearing Software Standby Mode	719
21B.6.3	Setting Oscillation Stabilization Time after Clearing Software Standby Mode	720
21B.6.4	Software Standby Mode Application Example	721
21B.6.5	Usage Notes	722
21B.7	Hardware Standby Mode	722
21B.7.1	Hardware Standby Mode	722
21B.7.2	Hardware Standby Mode Timing	723
21B.8	Watch Mode	723
21B.8.1	Watch Mode	723
21B.8.2	Exiting Watch Mode	724
21B.8.3	Notes	724
21B.9	Sub-Sleep Mode	725
21B.9.1	Sub-Sleep Mode	725
21B.9.2	Exiting Sub-Sleep Mode	725
21B.10	Sub-Active Mode	726
21B.10.1	Sub-Active Mode	726
21B.10.2	Exiting Sub-Active Mode	726
21B.11	Direct Transitions	727
21B.11.1	Overview of Direct Transitions	727
21B.12	∅ Clock Output Disabling Function	727
21B.13	Usage Notes	728
Section 22	Electrical Characteristics	729
22.1	Absolute Maximum Ratings	729

22.2	DC Characteristics .....	730
22.3	AC Characteristics .....	733
22.3.1	Clock Timing.....	734
22.3.2	Control Signal Timing.....	735
22.3.3	Bus Timing .....	737
22.3.4	Timing of On-Chip Supporting Modules .....	743
22.4	A/D Conversion Characteristics .....	747
22.5	D/A Conversion Characteristics .....	748
22.6	Flash Memory Characteristics .....	749
22.7	Usage Note .....	750
Appendix A	Instruction Set.....	751
A.1	Instruction List.....	751
A.2	Instruction Codes .....	776
A.3	Operation Code Map.....	791
A.4	Number of States Required for Instruction Execution .....	795
A.5	Bus States during Instruction Execution.....	806
A.6	Condition Code Modification.....	820
Appendix B	Internal I/O Register .....	826
B.1	Address .....	826
B.2	Functions.....	841
Appendix C	I/O Port Block Diagrams.....	991
C.1	Port 1 Block Diagrams .....	991
C.2	Port 4 Block Diagram.....	997
C.3	Port 9 Block Diagram.....	997
C.4	Port A Block Diagrams.....	998
C.5	Port B Block Diagram .....	1003
C.6	Port C Block Diagrams.....	1004
C.7	Port D Block Diagram .....	1008
C.8	Port E Block Diagram.....	1009
C.9	Port F Block Diagrams .....	1010
Appendix D	Pin States .....	1019
D.1	Port States in Each Mode .....	1019
Appendix E	Timing of Transition to and Recovery from Hardware Standby Mode.....	1022
Appendix F	Product Code Lineup .....	1023
Appendix G	Package Dimensions.....	1024



# Section 1 Overview

## 1.1 Overview

The H8S/2626 Series and H8S/2623 Series are series of microcomputers (MCUs) that integrate peripheral functions required for system configuration together with an H8S/2600 CPU employing an original Hitachi architecture.

The H8S/2600 CPU has an internal 32-bit architecture, is provided with sixteen 16-bit general registers and a concise, optimized instruction set designed for high-speed operation, and can address a 16-Mbyte linear address space. The instruction set is upward-compatible with H8/300 and H8/300H CPU instructions at the object-code level, facilitating migration from the H8/300, H8/300L, or H8/300H Series.

On-chip peripheral functions required for system configuration include a data transfer controller (DTC) bus master, ROM and RAM memory, a 16-bit timer-pulse unit (TPU), programmable pulse generator (PPG), watchdog timer (WDT), serial communication interface (SCI), Hitachi controller area network (HCAN), A/D converter, D/A converter (H8S/2626 Series only), and I/O ports.

The on-chip ROM is 256-kbyte flash memory (F-ZTAT™)\* or 256-, 128-, or 64-kbyte mask ROM. The ROM is connected to the CPU by a 16-bit data bus, enabling both byte and word data to be accessed in one state. Instruction fetching has been speeded up, and processing speed increased.

Four operating modes, modes 4 to 7, are provided, and there is a choice of single-chip mode or external expansion mode.

The features of the H8S/2626 Series and H8S/2623 Series are shown in table 1-1.

Note: \* F-ZTAT is a trademark of Hitachi, Ltd.

**Table 1-1 Overview**

<b>Item</b>	<b>Specifications</b>
CPU	<ul style="list-style-type: none"><li>• General-register machine<ul style="list-style-type: none"><li>— Sixteen 16-bit general registers (also usable as sixteen 8-bit registers or eight 32-bit registers)</li></ul></li><li>• High-speed operation suitable for realtime control<ul style="list-style-type: none"><li>— Maximum operating frequency: 20 MHz</li><li>— High-speed arithmetic operations<ul style="list-style-type: none"><li>8/16/32-bit register-register add/subtract: 50 ns</li><li>16 × 16-bit register-register multiply: 200 ns</li><li>16 × 16 + 42-bit multiply and accumulate: 200 ns</li><li>32 ÷ 16-bit register-register divide: 1000 ns</li></ul></li></ul></li><li>• Instruction set suitable for high-speed operation<ul style="list-style-type: none"><li>— 69 basic instructions</li><li>— 8/16/32-bit move/arithmetic and logic instructions</li><li>— Unsigned/signed multiply and divide instructions</li><li>— Multiply-and accumulate instruction</li><li>— Powerful bit-manipulation instructions</li></ul></li><li>• Two CPU operating modes<ul style="list-style-type: none"><li>— Normal mode: 64-kbyte address space (Not available in the H8S/2626 Series or H8S/2623 Series)</li><li>— Advanced mode: 16-Mbyte address space</li></ul></li></ul>
Bus controller	<ul style="list-style-type: none"><li>• Address space divided into 8 areas, with bus specifications settable independently for each area</li><li>• Choice of 8-bit or 16-bit access space for each area</li><li>• 2-state or 3-state access space can be designated for each area</li><li>• Number of program wait states can be set for each area</li><li>• Burst ROM directly connectable</li><li>• External bus release function</li></ul>
PC break controller	<ul style="list-style-type: none"><li>• Supports debugging functions by means of PC break interrupts</li><li>• Two break channels</li></ul>

Item	Specifications
Data transfer controller (DTC)	<ul style="list-style-type: none"> <li>• Can be activated by internal interrupt or software</li> <li>• Multiple transfers or multiple types of transfer possible for one activation source</li> <li>• Transfer possible in repeat mode, block transfer mode, etc.</li> <li>• Request can be sent to CPU for interrupt that activated DTC</li> </ul>
16-bit timer-pulse unit (TPU)	<ul style="list-style-type: none"> <li>• 6-channel 16-bit timer</li> <li>• Pulse input/output processing capability for up to 16 pins</li> <li>• Automatic 2-phase encoder count capability</li> </ul>
Programmable pulse generator (PPG)	<ul style="list-style-type: none"> <li>• Maximum 8-bit pulse output possible with TPU as time base</li> <li>• Output trigger selectable in 4-bit groups</li> <li>• Non-overlap margin can be set</li> <li>• Direct output or inverse output setting</li> </ul>
Watchdog timer (WDT), 2 channels (H8S/2626 Series)	<ul style="list-style-type: none"> <li>• Watchdog timer or interval timer selectable</li> <li>• Subclock operation possible (one channel only)</li> </ul>
Watchdog timer (WDT), 1 channel (H8S/2623 Series)	<ul style="list-style-type: none"> <li>• Watchdog timer or interval timer selectable</li> </ul>
Serial communication interface (SCI), 3 channels (SCI0 to SCI2)	<ul style="list-style-type: none"> <li>• Asynchronous mode or synchronous mode selectable</li> <li>• Multiprocessor communication function</li> <li>• Smart card interface function</li> </ul>
Hitachi controller area network (HCAN), 1 channel	<ul style="list-style-type: none"> <li>• CAN: Ver. 2.0B compliant</li> <li>• Buffer size: 15 transmit/receive buffers, one transmit-only buffer</li> <li>• Receive message filtering</li> </ul>
A/D converter	<ul style="list-style-type: none"> <li>• Resolution: 10 bits</li> <li>• Input: 16 channels</li> <li>• 13.3 <math>\mu</math>s minimum conversion time (at 20 MHz operation)</li> <li>• Single or scan mode selectable</li> <li>• Sample-and-hold function</li> <li>• A/D conversion can be activated by external trigger or timer trigger</li> </ul>
D/A converter (H8S/2626 Series only)	<ul style="list-style-type: none"> <li>• Resolution: 8 bits</li> <li>• Output: 2 channels</li> </ul>

Item	Specifications																																
I/O ports (H8S/2626 Series)	<ul style="list-style-type: none"> <li>51 input/output pins, 17 input-only pins</li> </ul>																																
I/O ports (H8S/2623 Series)	<ul style="list-style-type: none"> <li>53 input/output pins, 17 input-only pins</li> </ul>																																
Memory	<ul style="list-style-type: none"> <li>Flash memory or masked ROM</li> <li>High-speed static RAM</li> </ul> <table border="1"> <thead> <tr> <th>Product Name</th> <th>ROM</th> <th>RAM</th> </tr> </thead> <tbody> <tr> <td>H8S/2626, H8S/2623</td> <td>256 kbytes</td> <td>12 kbytes</td> </tr> <tr> <td>H8S/2625, H8S/2622</td> <td>128 kbytes</td> <td>8 kbytes</td> </tr> <tr> <td>H8S/2624, H8S/2621</td> <td>64 kbytes</td> <td>4 kbytes</td> </tr> </tbody> </table>	Product Name	ROM	RAM	H8S/2626, H8S/2623	256 kbytes	12 kbytes	H8S/2625, H8S/2622	128 kbytes	8 kbytes	H8S/2624, H8S/2621	64 kbytes	4 kbytes																				
Product Name	ROM	RAM																															
H8S/2626, H8S/2623	256 kbytes	12 kbytes																															
H8S/2625, H8S/2622	128 kbytes	8 kbytes																															
H8S/2624, H8S/2621	64 kbytes	4 kbytes																															
Interrupt controller	<ul style="list-style-type: none"> <li>Seven external interrupt pins (NMI, <math>\overline{IRQ0}</math> to <math>\overline{IRQ5}</math>)</li> <li>Internal interrupt sources H8S/2626: 48 H8S/2623: 47</li> <li>Eight priority levels settable</li> </ul>																																
Power-down state	<ul style="list-style-type: none"> <li>Medium-speed mode</li> <li>Sleep mode</li> <li>Module stop mode</li> <li>Software standby mode</li> <li>Hardware standby mode</li> <li>Subclock operation (H8S/2626 Series only)</li> </ul>																																
Operating modes	<ul style="list-style-type: none"> <li>Four MCU operating modes</li> </ul> <table border="1"> <thead> <tr> <th rowspan="2">Mode</th> <th rowspan="2">CPU Operating Mode</th> <th rowspan="2">Description</th> <th rowspan="2">On-Chip ROM</th> <th colspan="2">External Data Bus</th> </tr> <tr> <th>Initial Width</th> <th>Max. Width</th> </tr> </thead> <tbody> <tr> <td>4</td> <td>Advanced</td> <td>On-chip ROM disabled expansion mode</td> <td>Disabled</td> <td>16 bits</td> <td>16 bits</td> </tr> <tr> <td>5</td> <td></td> <td>On-chip ROM disabled expansion mode</td> <td>Disabled</td> <td>8 bits</td> <td>16 bits</td> </tr> <tr> <td>6</td> <td></td> <td>On-chip ROM enabled expansion mode</td> <td>Enabled</td> <td>8 bits</td> <td>16 bits</td> </tr> <tr> <td>7</td> <td></td> <td>Single-chip mode</td> <td>Enabled</td> <td>—</td> <td>—</td> </tr> </tbody> </table>	Mode	CPU Operating Mode	Description	On-Chip ROM	External Data Bus		Initial Width	Max. Width	4	Advanced	On-chip ROM disabled expansion mode	Disabled	16 bits	16 bits	5		On-chip ROM disabled expansion mode	Disabled	8 bits	16 bits	6		On-chip ROM enabled expansion mode	Enabled	8 bits	16 bits	7		Single-chip mode	Enabled	—	—
Mode	CPU Operating Mode					Description	On-Chip ROM	External Data Bus																									
		Initial Width	Max. Width																														
4	Advanced	On-chip ROM disabled expansion mode	Disabled	16 bits	16 bits																												
5		On-chip ROM disabled expansion mode	Disabled	8 bits	16 bits																												
6		On-chip ROM enabled expansion mode	Enabled	8 bits	16 bits																												
7		Single-chip mode	Enabled	—	—																												



<b>Item</b>	<b>Specifications</b>																					
Clock pulse generator	<ul style="list-style-type: none"> <li>Built-in PLL circuit (×1, ×2, ×4)</li> <li>Input clock frequency: 2 to 20 MHz</li> </ul>																					
Package	<ul style="list-style-type: none"> <li>100-pin plastic QFP (FP-100B)</li> </ul>																					
Product lineup	<b>Model</b>																					
	<table border="1"> <thead> <tr> <th><b>Mask ROM Version</b></th> <th><b>F-ZTAT Version</b></th> <th><b>ROM/RAM (Bytes)</b></th> <th><b>Package</b></th> </tr> </thead> <tbody> <tr> <td>HD6432626</td> <td>HD64F2626</td> <td rowspan="2">256 k/12 k</td> <td rowspan="2">FP-100B</td> </tr> <tr> <td>HD6432623</td> <td>HD64F2623</td> </tr> <tr> <td>HD6432625</td> <td>—</td> <td rowspan="2">128 k/8 k</td> <td rowspan="2">FP-100B</td> </tr> <tr> <td>HD6432622</td> <td></td> </tr> <tr> <td>HD6432624</td> <td>—</td> <td rowspan="2">64 k/4 k</td> <td rowspan="2">FP-100B</td> </tr> <tr> <td>HD6432621</td> <td></td> </tr> </tbody> </table>	<b>Mask ROM Version</b>	<b>F-ZTAT Version</b>	<b>ROM/RAM (Bytes)</b>	<b>Package</b>	HD6432626	HD64F2626	256 k/12 k	FP-100B	HD6432623	HD64F2623	HD6432625	—	128 k/8 k	FP-100B	HD6432622		HD6432624	—	64 k/4 k	FP-100B	HD6432621
<b>Mask ROM Version</b>	<b>F-ZTAT Version</b>	<b>ROM/RAM (Bytes)</b>	<b>Package</b>																			
HD6432626	HD64F2626	256 k/12 k	FP-100B																			
HD6432623	HD64F2623																					
HD6432625	—	128 k/8 k	FP-100B																			
HD6432622																						
HD6432624	—	64 k/4 k	FP-100B																			
HD6432621																						

# 1.2 Internal Block Diagram

Figures 1-1 and 1-2 show internal block diagrams of the H8S/2623 Series and H8S/2626 Series.

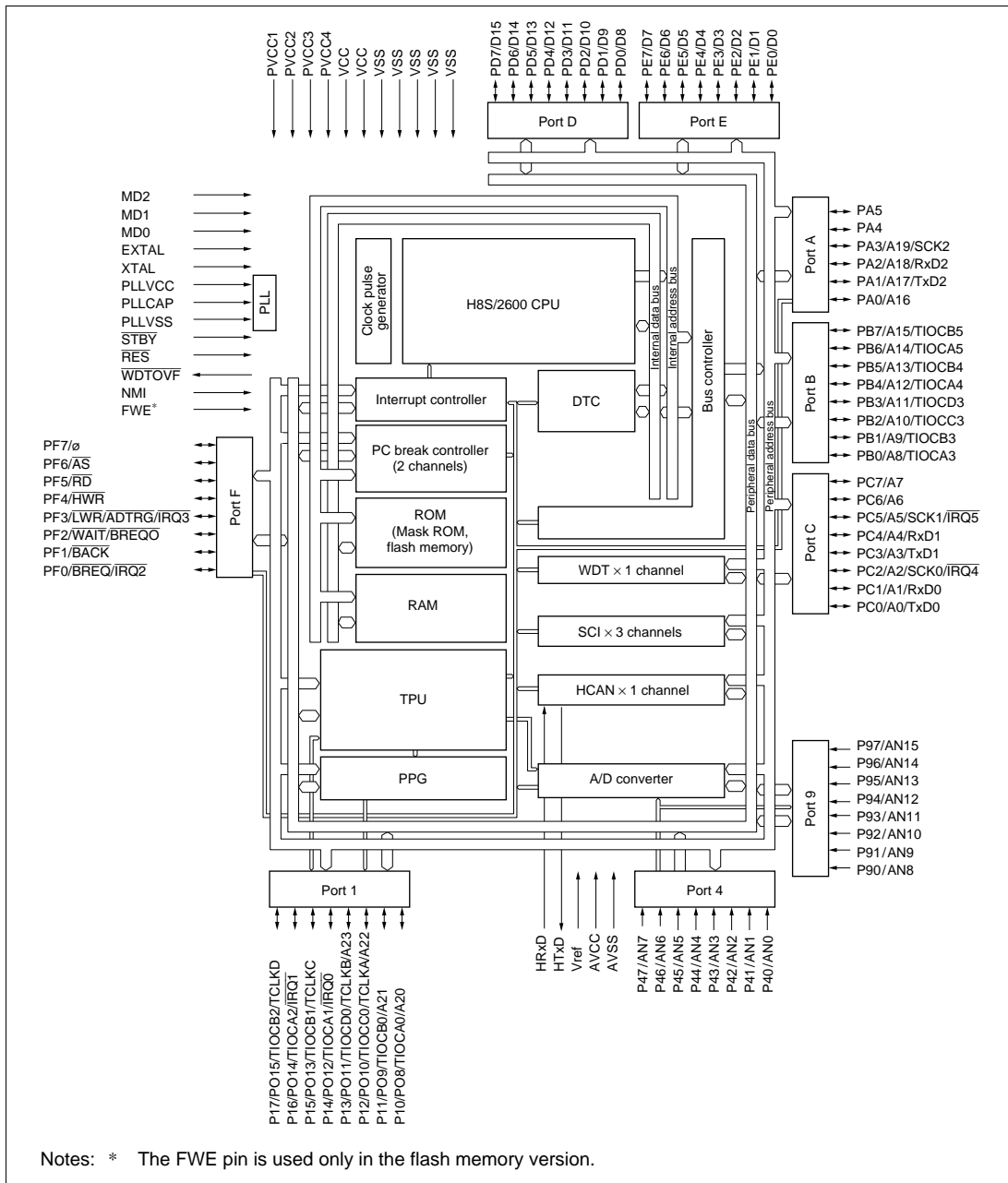
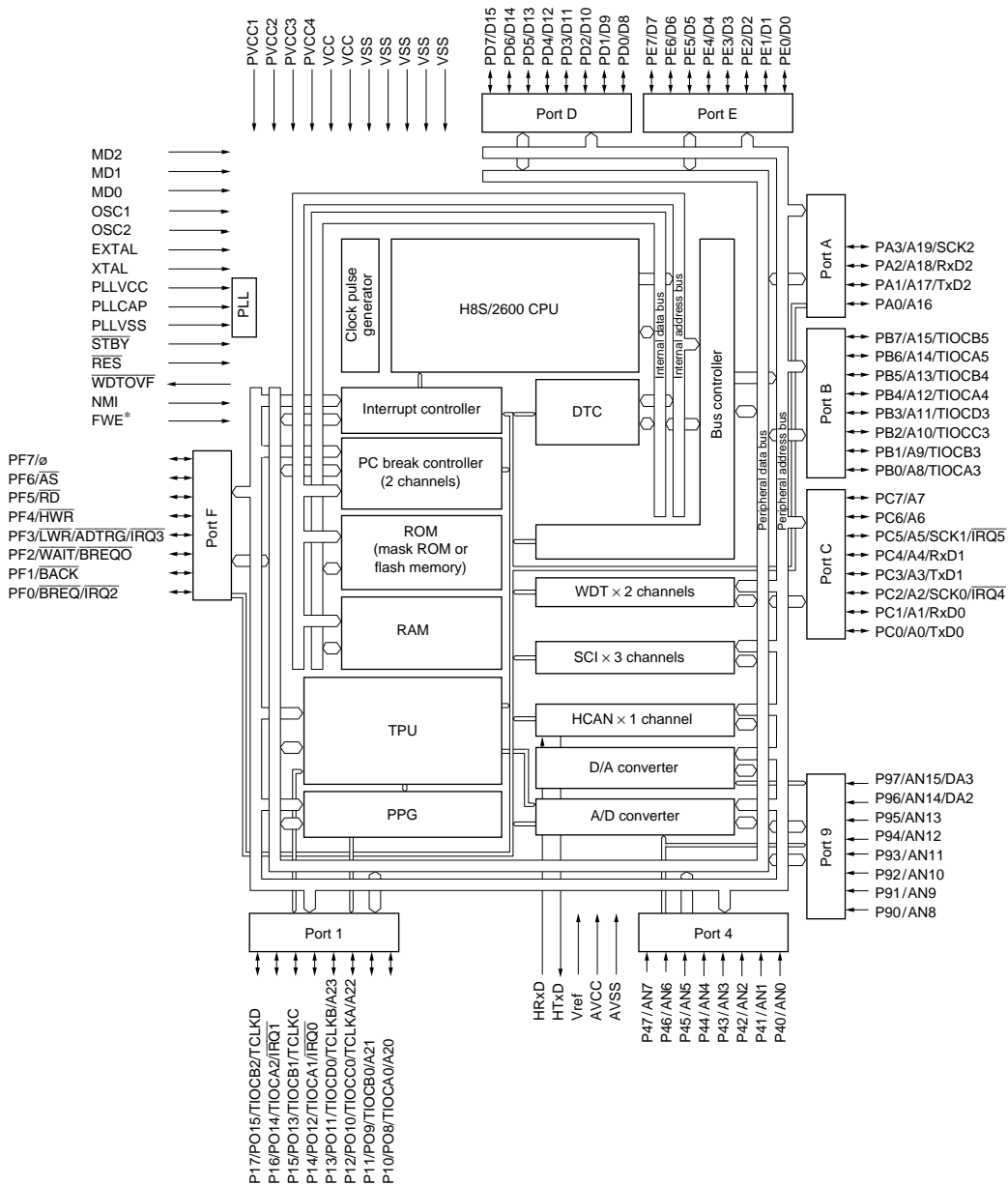


Figure 1-1 Internal Block Diagram (H8S/2623 Series)



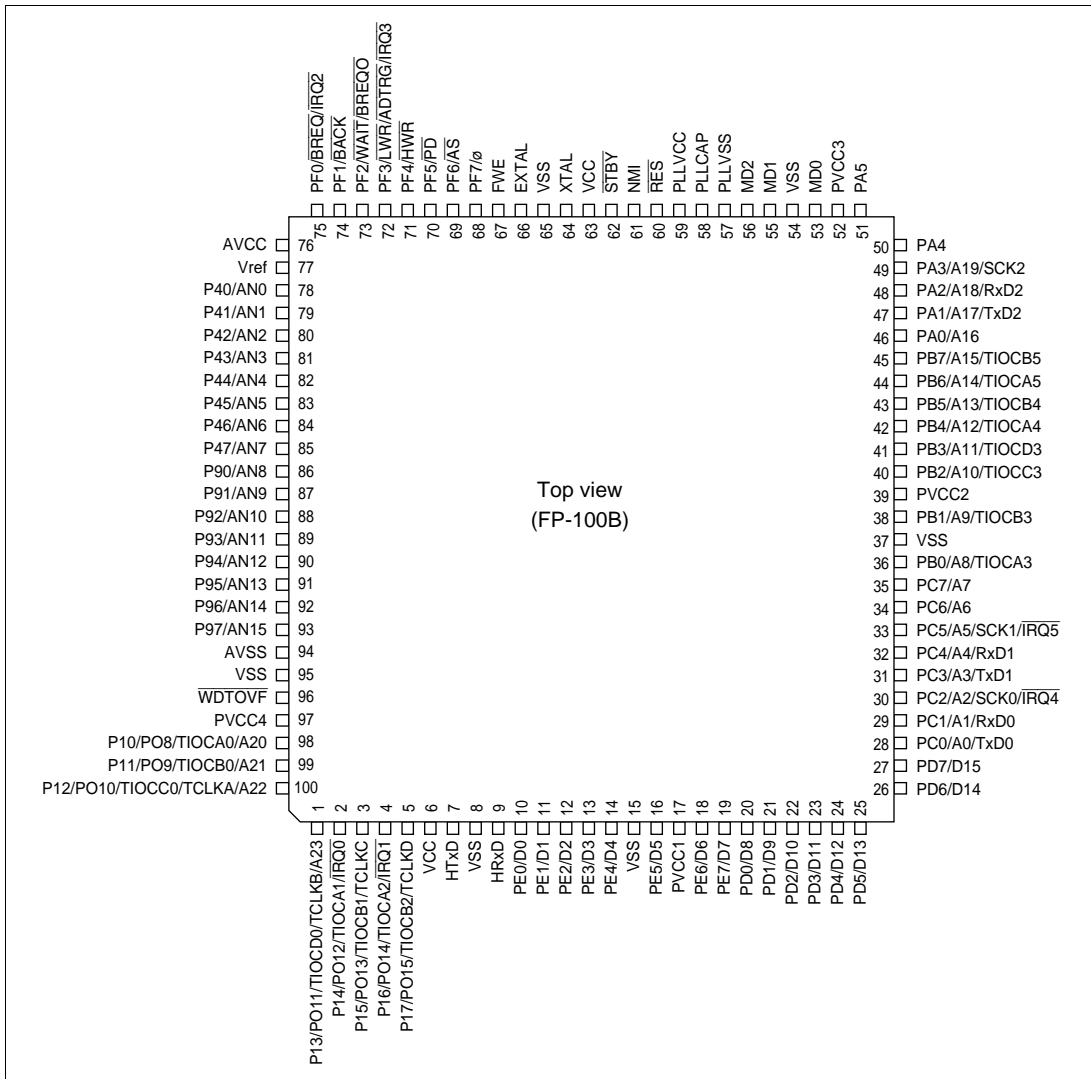
Notes: \* The FWE pin is provided in the flash memory version only.

Figure 1-2 Internal Block Diagram (H8S/2626 Series)

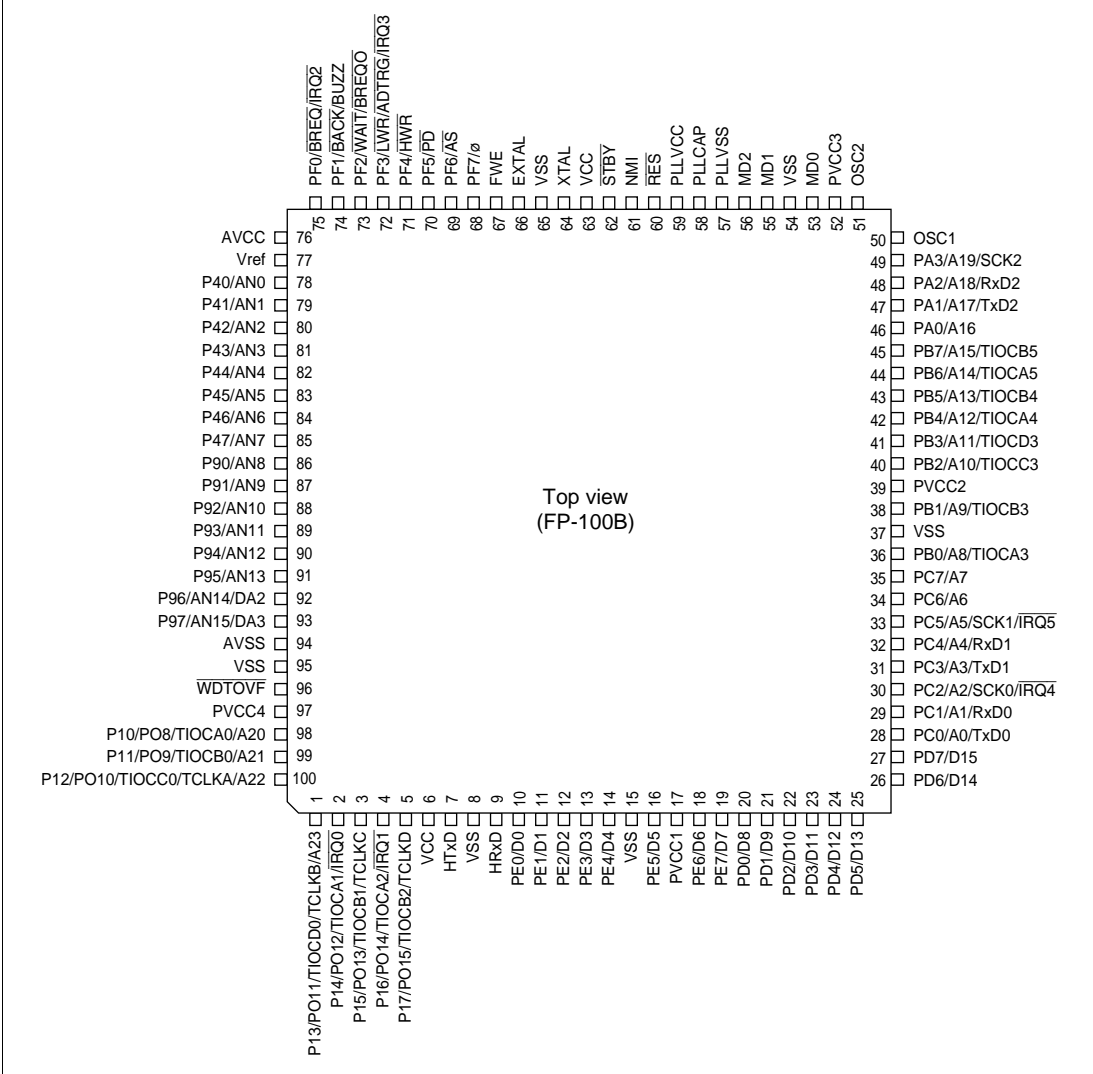
# 1.3 Pin Descriptions

## 1.3.1 Pin Arrangement

Figures 1-3 and 1-4 show pin arrangements of the H8S/2623 Series and H8S/2626 Series.



**Figure 1-3 Pin Arrangement (FP-100B: Top View) (H8S/2623 Series)**



**Figure 1-4 Pin Arrangement (FP-100B: Top View) (H8S/2626 Series)**

### 1.3.2 Pin Functions in Each Operating Mode

Tables 1-2 and 1-3 show the pin functions in each of the operating modes of the H8S/2623 Series and H8S/2626 Series.

**Table 1-2 Pin Functions in Each Operating Mode**

Pin No.	Pin Name			
	Mode 4	Mode 5	Mode 6	Mode 7
1	P13/PO11/TIOCD0/ TCLKB/A23	P13/PO11/TIOCD0/ TCLKB/A23	P13/PO11/TIOCD0/ TCLKB/A23	P13/PO11/TIOCD0/ TCLKB
2	P14/PO12/TIOCA1/ IRQ0	P14/PO12/TIOCA1/ IRQ0	P14/PO12/TIOCA1/ IRQ0	P14/PO12/TIOCA1/ IRQ0
3	P15/PO13/TIOCB1/ TCLKC	P15/PO13/TIOCB1/ TCLKC	P15/PO13/TIOCB1/ TCLKC	P15/PO13/TIOCB1/ TCLKC
4	P16/PO14/TIOCA2/ IRQ1	P16/PO14/TIOCA2/ IRQ1	P16/PO14/TIOCA2/ IRQ1	P16/PO14/TIOCA2/ IRQ1
5	P17/PO15/TIOCB2/ TCLKD	P17/PO15/TIOCB2/ TCLKD	P17/PO15/TIOCB2/ TCLKD	P17/PO15/TIOCB2/ TCLKD
6	VCC	VCC	VCC	VCC
7	HTxD	HTxD	HTxD	HTxD
8	VSS	VSS	VSS	VSS
9	HRxD	HRxD	HRxD	HRxD
10	PE0/D0	PE0/D0	PE0/D0	PE0
11	PE1/D1	PE1/D1	PE1/D1	PE1
12	PE2/D2	PE2/D2	PE2/D2	PE2
13	PE3/D3	PE3/D3	PE3/D3	PE3
14	PE4/D4	PE4/D4	PE4/D4	PE4
15	VSS	VSS	VSS	VSS
16	PE5/D5	PE5/D5	PE5/D5	PE5
17	PVCC1	PVCC1	PVCC1	PVCC1
18	PE6/D6	PE6/D6	PE6/D6	PE6
19	PE7/D7	PE7/D7	PE7/D7	PE7
20	D8	D8	D8	PD0
21	D9	D9	D9	PD1
22	D10	D10	D10	PD2
23	D11	D11	D11	PD3
24	D12	D12	D12	PD4

Pin No.	Pin Name			
	Mode 4	Mode 5	Mode 6	Mode 7
25	D13	D13	D13	PD5
26	D14	D14	D14	PD6
27	D15	D15	D15	PD7
28	A0	A0	PC0/A0/TxD0	PC0/TxD0
29	A1	A1	PC1/A1/RxD0	PC1/RxD0
30	A2	A2	PC2/A2/SCK0/IRQ4	PC2/SCK0/IRQ4
31	A3	A3	PC3/A3/TxD1	PC3/TxD1
32	A4	A4	PC4/A4/RxD1	PC4/RxD1
33	A5	A5	PC5/A5/SCK1/IRQ5	PC5/SCK1/IRQ5
34	A6	A6	PC6/A6	PC6
35	A7	A7	PC7/A7	PC7
36	PB0/A8/TIOCA3	PB0/A8/TIOCA3	PB0/A8/TIOCA3	PB0/TIOCA3
37	VSS	VSS	VSS	VSS
38	PB1/A9/TIOCB3	PB1/A9/TIOCB3	PB1/A9/TIOCB3	PB1/TIOCB3
39	PVCC2	PVCC2	PVCC2	PVCC2
40	PB2/A10/TIOCC3	PB2/A10/TIOCC3	PB2/A10/TIOCC3	PB2/TIOCC3
41	PB3/A11/TIOCD3	PB3/A11/TIOCD3	PB3/A11/TIOCD3	PB3/TIOCD3
42	PB4/A12/TIOCA4	PB4/A12/TIOCA4	PB4/A12/TIOCA4	PB4/TIOCA4
43	PB5/A13/TIOCB4	PB5/A13/TIOCB4	PB5/A13/TIOCB4	PB5/TIOCB4
44	PB6/A14/TIOCA5	PB6/A14/TIOCA5	PB6/A14/TIOCA5	PB6/TIOCA5
45	PB7/A15/TIOCB5	PB7/A15/TIOCB5	PB7/A15/TIOCB5	PB7/TIOCB5
46	PA0/A16	PA0/A16	PA0/A16	PA0
47	PA1/A17/TxD2	PA1/A17/TxD2	PA1/A17/TxD2	PA1/TxD2
48	PA2/A18/RxD2	PA2/A18/RxD2	PA2/A18/RxD2	PA2/RxD2
49	PA3/A19/SCK2	PA3/A19/SCK2	PA3/A19/SCK2	PA3/SCK2
50	PA4	PA4	PA4	PA4
51	PA5	PA5	PA5	PA5
52	PVCC3	PVCC3	PVCC3	PVCC3
53	MD0	MD0	MD0	MD0
54	VSS	VSS	VSS	VSS
55	MD1	MD1	MD1	MD1
56	MD2	MD2	MD2	MD2

Pin No.	Pin Name			
	FP-100B	Mode 4	Mode 5	Mode 6
57	PLLSS	PLLSS	PLLSS	PLLSS
58	PLLCAP	PLLCAP	PLLCAP	PLLCAP
59	PLLVCC	PLLVCC	PLLVCC	PLLVCC
60	$\overline{\text{RES}}$	$\overline{\text{RES}}$	$\overline{\text{RES}}$	$\overline{\text{RES}}$
61	NMI	NMI	NMI	NMI
62	$\overline{\text{STBY}}$	$\overline{\text{STBY}}$	$\overline{\text{STBY}}$	$\overline{\text{STBY}}$
63	VCC	VCC	VCC	VCC
64	XTAL	XTAL	XTAL	XTAL
65	VSS	VSS	VSS	VSS
66	EXTAL	EXTAL	EXTAL	EXTAL
67	FWE	FWE	FWE	FWE
68	PF7/ $\emptyset$	PF7/ $\emptyset$	PF7/ $\emptyset$	PF7/ $\emptyset$
69	$\overline{\text{AS}}$	$\overline{\text{AS}}$	$\overline{\text{AS}}$	PF6
70	$\overline{\text{RD}}$	$\overline{\text{RD}}$	$\overline{\text{RD}}$	PF5
71	$\overline{\text{HWR}}$	$\overline{\text{HWR}}$	$\overline{\text{HWR}}$	PF4
72	PF3/ $\overline{\text{LWR/ADTRG/IRQ3}}$	PF3/ $\overline{\text{LWR/ADTRG/IRQ3}}$	PF3/ $\overline{\text{LWR/ADTRG/IRQ3}}$	PF3/ $\overline{\text{ADTRG/IRQ3}}$
73	PF2/ $\overline{\text{WAIT/BREQO}}$	PF2/ $\overline{\text{WAIT/BREQO}}$	PF2/ $\overline{\text{WAIT/BREQO}}$	PF2
74	PF1/ $\overline{\text{BACK}}$	PF1/ $\overline{\text{BACK}}$	PF1/ $\overline{\text{BACK}}$	PF1
75	PF0/ $\overline{\text{BREQ/IRQ2}}$	PF0/ $\overline{\text{BREQ/IIRQ2}}$	PF0/ $\overline{\text{BREQ/IIRQ2}}$	PF0/ $\overline{\text{IRQ2}}$
76	AVCC	AVCC	AVCC	AVCC
77	Vref	Vref	Vref	Vref
78	P40/AN0	P40/AN0	P40/AN0	P40/AN0
79	P41/AN1	P41/AN1	P41/AN1	P41/AN1
80	P42/AN2	P42/AN2	P42/AN2	P42/AN2
81	P43/AN3	P43/AN3	P43/AN3	P43/AN3
82	P44/AN4	P44/AN4	P44/AN4	P44/AN4
83	P45/AN5	P45/AN5	P45/AN5	P45/AN5
84	P46/AN6	P46/AN6	P46/AN6	P46/AN6
85	P47/AN7	P47/AN7	P47/AN7	P47/AN7
86	P90/AN8	P90/AN8	P90/AN8	P90/AN8
87	P91/AN9	P91/AN9	P91/AN9	P91/AN9



Pin No.	Pin Name			
	Mode 4	Mode 5	Mode 6	Mode 7
88	P92/AN10	P92/AN10	P92/AN10	P92/AN10
89	P93/AN11	P93/AN11	P93/AN11	P93/AN11
90	P94/AN12	P94/AN12	P94/AN12	P94/AN12
91	P95/AN13	P95/AN13	P95/AN13	P95/AN13
92	P96/AN14	P96/AN14	P96/AN14	P96/AN14
93	P97/AN15	P97/AN15	P97/AN15	P97/AN15
94	AVSS	AVSS	AVSS	AVSS
95	VSS	VSS	VSS	VSS
96	$\overline{\text{WDTOVF}}$	$\overline{\text{WDTOVF}}$	$\overline{\text{WDTOVF}}$	$\overline{\text{WDTOVF}}$
97	PVCC4	PVCC4	PVCC4	PVCC4
98	P10/PO8/TIOCA0/ A20	P10/PO8/TIOCA0/ A20	P10/PO8/TIOCA0/ A20	P10/PO8/TIOCA0
99	P11/PO9/TIOCB0/ A21	P11/PO9/TIOCB0/ A21	P11/PO9/TIOCB0/ A21	P11/PO9/TIOCB0
100	P12/PO10/TIOCC0/ TCLKA/A22	P12/PO10/TIOCC0/ TCLKA/A22	P12/PO10/TIOCC0/ TCLKA/A22	P12/PO10/TIOCC0/ TCLKA

Note: NC pins should be connected to VSS or left open.

**Table 1-3 Pin Functions in Each Operating Mode**

Pin No.	Pin Name			
	Mode 4	Mode 5	Mode 6	Mode 7
1	P13/PO11/TIOCD0/ TCLKB/A23	P13/PO11/TIOCD0/ TCLKB/A23	P13/PO11/TIOCD0/ TCLKB/A23	P13/PO11/TIOCD0/ TCLKB
2	P14/PO12/TIOCA1/ IRQ0	P14/PO12/TIOCA1/ IRQ0	P14/PO12/TIOCA1/ IRQ0	P14/PO12/TIOCA1/ IRQ0
3	P15/PO13/TIOCB1/ TCLKC	P15/PO13/TIOCB1/ TCLKC	P15/PO13/TIOCB1/ TCLKC	P15/PO13/TIOCB1/ TCLKC
4	P16/PO14/TIOCA2/ IRQ1	P16/PO14/TIOCA2/ IRQ1	P16/PO14/TIOCA2/ IRQ1	P16/PO14/TIOCA2/ IRQ1
5	P17/PO15/TIOCB2/ TCLKD	P17/PO15/TIOCB2/ TCLKD	P17/PO15/TIOCB2/ TCLKD	P17/PO15/TIOCB2/ TCLKD
6	VCC	VCC	VCC	VCC
7	HTxD	HTxD	HTxD	HTxD
8	VSS	VSS	VSS	VSS
9	HRxD	HRxD	HRxD	HRxD
10	PE0/D0	PE0/D0	PE0/D0	PE0
11	PE1/D1	PE1/D1	PE1/D1	PE1
12	PE2/D2	PE2/D2	PE2/D2	PE2
13	PE3/D3	PE3/D3	PE3/D3	PE3
14	PE4/D4	PE4/D4	PE4/D4	PE4
15	VSS	VSS	VSS	VSS
16	PE5/D5	PE5/D5	PE5/D5	PE5
17	PVCC1	PVCC1	PVCC1	PVCC1
18	PE6/D6	PE6/D6	PE6/D6	PE6
19	PE7/D7	PE7/D7	PE7/D7	PE7
20	D8	D8	D8	PD0
21	D9	D9	D9	PD1
22	D10	D10	D10	PD2
23	D11	D11	D11	PD3
24	D12	D12	D12	PD4

Pin No.	Pin Name			
	Mode 4	Mode 5	Mode 6	Mode 7
25	D13	D13	D13	PD5
26	D14	D14	D14	PD6
27	D15	D15	D15	PD7
28	A0	A0	PC0/A0/TxD0	PC0/TxD0
29	A1	A1	PC1/A1/RxD0	PC1/RxD0
30	A2	A2	PC2/A2/SCK0/IRQ4	PC2/SCK0/IRQ4
31	A3	A3	PC3/A3/TxD1	PC3/TxD1
32	A4	A4	PC4/A4/RxD1	PC4/RxD1
33	A5	A5	PC5/A5/SCK1/IRQ5	PC5/SCK1/IRQ5
34	A6	A6	PC6/A6	PC6
35	A7	A7	PC7/A7	PC7
36	PB0/A8/TIOCA3	PB0/A8/TIOCA3	PB0/A8/TIOCA3	PB0/TIOCA3
37	VSS	VSS	VSS	VSS
38	PB1/A9/TIOCB3	PB1/A9/TIOCB3	PB1/A9/TIOCB3	PB1/TIOCB3
39	PVCC2	PVCC2	PVCC2	PVCC2
40	PB2/A10/TIOCC3	PB2/A10/TIOCC3	PB2/A10/TIOCC3	PB2/TIOCC3
41	PB3/A11/TIOCD3	PB3/A11/TIOCD3	PB3/A11/TIOCD3	PB3/TIOCD3
42	PB4/A12/TIOCA4	PB4/A12/TIOCA4	PB4/A12/TIOCA4	PB4/TIOCA4
43	PB5/A13/TIOCB4	PB5/A13/TIOCB4	PB5/A13/TIOCB4	PB5/TIOCB4
44	PB6/A14/TIOCA5	PB6/A14/TIOCA5	PB6/A14/TIOCA5	PB6/TIOCA5
45	PB7/A15/TIOCB5	PB7/A15/TIOCB5	PB7/A15/TIOCB5	PB7/TIOCB5
46	PA0/A16	PA0/A16	PA0/A16	PA0
47	PA1/A17/TxD2	PA1/A17/TxD2	PA1/A17/TxD2	PA1/TxD2
48	PA2/A18/RxD2	PA2/A18/RxD2	PA2/A18/RxD2	PA2/RxD2
49	PA3/A19/SCK2	PA3/A19/SCK2	PA3/A19/SCK2	PA3/SCK2
50	OSC1	OSC1	OSC1	OSC1
51	OSC2	OSC2	OSC2	OSC2
52	PVCC3	PVCC3	PVCC3	PVCC3
53	MD0	MD0	MD0	MD0
54	VSS	VSS	VSS	VSS
55	MD1	MD1	MD1	MD1
56	MD2	MD2	MD2	MD2

Pin No.	Pin Name			
	Mode 4	Mode 5	Mode 6	Mode 7
57	PLLSS	PLLSS	PLLSS	PLLSS
58	PLLCAP	PLLCAP	PLLCAP	PLLCAP
59	PLLVCC	PLLVCC	PLLVCC	PLLVCC
60	$\overline{\text{RES}}$	$\overline{\text{RES}}$	$\overline{\text{RES}}$	$\overline{\text{RES}}$
61	NMI	NMI	NMI	NMI
62	$\overline{\text{STBY}}$	$\overline{\text{STBY}}$	$\overline{\text{STBY}}$	$\overline{\text{STBY}}$
63	VCC	VCC	VCC	VCC
64	XTAL	XTAL	XTAL	XTAL
65	VSS	VSS	VSS	VSS
66	EXTAL	EXTAL	EXTAL	EXTAL
67	FWE	FWE	FWE	FWE
68	PF7/ $\emptyset$	PF7/ $\emptyset$	PF7/ $\emptyset$	PF7/ $\emptyset$
69	$\overline{\text{AS}}$	$\overline{\text{AS}}$	$\overline{\text{AS}}$	PF6
70	$\overline{\text{RD}}$	$\overline{\text{RD}}$	$\overline{\text{RD}}$	PF5
71	$\overline{\text{HWR}}$	$\overline{\text{HWR}}$	$\overline{\text{HWR}}$	PF4
72	$\overline{\text{PF3/LWR/ADTRG/IRQ3}}$	$\overline{\text{PF3/LWR/ADTRG/IRQ3}}$	$\overline{\text{PF3/LWR/ADTRG/IRQ3}}$	$\overline{\text{PF3/ADTRG/IRQ3}}$
73	$\overline{\text{PF2/WAIT/BREQO}}$	$\overline{\text{PF2/WAIT/BREQO}}$	$\overline{\text{PF2/WAIT/BREQO}}$	PF2
74	$\overline{\text{PF1/BACK/BUZZ}}$	$\overline{\text{PF1/BACK/BUZZ}}$	$\overline{\text{PF1/BACK/BUZZ}}$	PF1/BUZZ
75	$\overline{\text{PF0/BREQ/IRQ2}}$	$\overline{\text{PF0/BREQ/IIRQ2}}$	$\overline{\text{PF0/BREQ/IIRQ2}}$	$\overline{\text{PF0/IRQ2}}$
76	AVCC	AVCC	AVCC	AVCC
77	Vref	Vref	Vref	Vref
78	P40/AN0	P40/AN0	P40/AN0	P40/AN0
79	P41/AN1	P41/AN1	P41/AN1	P41/AN1
80	P42/AN2	P42/AN2	P42/AN2	P42/AN2
81	P43/AN3	P43/AN3	P43/AN3	P43/AN3
82	P44/AN4	P44/AN4	P44/AN4	P44/AN4
83	P45/AN5	P45/AN5	P45/AN5	P45/AN5
84	P46/AN6	P46/AN6	P46/AN6	P46/AN6
85	P47/AN7	P47/AN7	P47/AN7	P47/AN7
86	P90/AN8	P90/AN8	P90/AN8	P90/AN8
87	P91/AN9	P91/AN9	P91/AN9	P91/AN9

Pin No.	Pin Name			
	Mode 4	Mode 5	Mode 6	Mode 7
88	P92/AN10	P92/AN10	P92/AN10	P92/AN10
89	P93/AN11	P93/AN11	P93/AN11	P93/AN11
90	P94/AN12	P94/AN12	P94/AN12	P94/AN12
91	P95/AN13	P95/AN13	P95/AN13	P95/AN13
92	P96/AN14/DA2	P96/AN14/DA2	P96/AN14/DA2	P96/AN14/DA2
93	P97/AN15/DA3	P97/AN15/DA3	P97/AN15/DA3	P97/AN15/DA3
94	AVSS	AVSS	AVSS	AVSS
95	VSS	VSS	VSS	VSS
96	WDTOVF	WDTOVF	WDTOVF	WDTOVF
97	PVCC4	PVCC4	PVCC4	PVCC4
98	P10/PO8/TIOCA0/ A20	P10/PO8/TIOCA0/ A20	P10/PO8/TIOCA0/ A20	P10/PO8/TIOCA0
99	P11/PO9/TIOCB0/ A21	P11/PO9/TIOCB0/ A21	P11/PO9/TIOCB0/ A21	P11/PO9/TIOCB0
100	P12/PO10/TIOCC0/ TCLKA/A22	P12/PO10/TIOCC0/ TCLKA/A22	P12/PO10/TIOCC0/ TCLKA/A22	P12/PO10/TIOCC0/ TCLKA

Note: NC pins should be connected to VSS or left open.

### 1.3.3 Pin Functions

Table 1-4 summarizes the pin functions.

**Table 1-4 Pin Functions**

Type	Symbol	I/O	Pin Name	Function
Power supply	VCC	Input	Power supply	For connection to the power supply. Connect all V <sub>CC</sub> pins to the system power supply.
	PVCC1	Input	Port power supply	Port power supply pins. Connect all these pins to the same power supply.
	PVCC2	Input	Port power supply	
	PVCC3	Input	Port power supply	
	PVCC4	Input	Port power supply	
	VSS	Input	Ground	For connection to the power supply (0 V). Connect all V <sub>SS</sub> pins to the system power supply (0 V).
Clock	PLLVCC	Input	PLL power supply	On-chip PLL oscillator power supply
	PLLVSS	Input	PLL ground	On-chip PLL oscillator ground
	PLLCAP	Input	PLL capacitance	On-chip PLL oscillator external capacitance pin
	XTAL	Input	Crystal	For connection to a crystal resonator. For examples of crystal resonator connection and external clock input, see section 20, Clock Pulse Generator.
	EXTAL	Input	External clock	For connection to a crystal resonator. For examples of crystal resonator connection and external clock input, see section 20, Clock Pulse Generator.
	OSC1* <sup>1</sup>	Input	Subclock	For connection to a recommended 32.768 kHz resonator. For examples of crystal resonator connection, see section 20, Clock Pulse Generator.
	OSC2* <sup>1</sup>	Input	Subclock	For connection to a recommended 32.768 kHz resonator. For examples of crystal resonator connection, see section 20, Clock Pulse Generator.
	∅	Output	System clock	Supplies the system clock to external devices.

Type	Symbol	I/O	Pin Name	Function																						
Operating mode control	MD2 to MD0	Input	Mode pins	These pins set the operating mode. The relation between the settings of pins MD2 to MD0 and the operating mode is shown below. Inputs at these pins should not be changed during operation.																						
				<table border="1"> <thead> <tr> <th>MD2</th> <th>MD1</th> <th>MD0</th> <th>Operating Mode</th> </tr> </thead> <tbody> <tr> <td rowspan="4">0</td> <td rowspan="2">0</td> <td>0</td> <td>—</td> </tr> <tr> <td>1</td> <td>—</td> </tr> <tr> <td rowspan="2">1</td> <td>0</td> <td>—</td> </tr> <tr> <td>1</td> <td>—</td> </tr> <tr> <td rowspan="4">1</td> <td rowspan="2">0</td> <td>0</td> <td>Mode 4</td> </tr> <tr> <td>1</td> <td>Mode 5</td> </tr> <tr> <td rowspan="2">1</td> <td>0</td> <td>Mode 6</td> </tr> <tr> <td>1</td> <td>Mode 7</td> </tr> </tbody> </table>	MD2	MD1	MD0	Operating Mode	0	0	0	—	1	—	1	0	—	1	—	1	0	0	Mode 4	1	Mode 5	1
MD2	MD1	MD0	Operating Mode																							
0	0	0	—																							
		1	—																							
	1	0	—																							
		1	—																							
1	0	0	Mode 4																							
		1	Mode 5																							
	1	0	Mode 6																							
		1	Mode 7																							
System control	$\overline{\text{RES}}$	Input	Reset input	When this pin is driven low, the chip is reset.																						
	$\overline{\text{STBY}}$	Input	Standby	When this pin is driven low, a transition is made to hardware standby mode.																						
	$\overline{\text{BREQ}}$	Input	Bus request	Used by an external bus master to issue a bus request to the chip.																						
	$\overline{\text{BREQO}}$	Output	Bus request output	External bus request signal used when an internal bus master accesses external space in the external bus-released state.																						
	$\overline{\text{BACK}}$	Output	Bus request acknowledge	Indicates that the bus has been released to an external bus master.																						
	FWE	Input	Flash write enable	Pin for use by flash memory																						
Interrupts	NMI	Input	Nonmaskable interrupt	Requests a nonmaskable interrupt. If this pin is not used, it should be fixed high.																						
	$\overline{\text{IRQ5}}$ to $\overline{\text{IRQ0}}$	Input	Interrupt request 5 to 0	These pins request a maskable interrupt.																						
Address bus	A23 to A0	Output	Address bus	These pins output address signals.																						

Type	Symbol	I/O	Pin Name	Function
Data bus	D15 to D0	Input/ output	Data bus	Bidirectional data bus
Bus control	$\overline{AS}$	Output	Address strobe	Goes low to indicate valid address output on the address bus.
	$\overline{RD}$	Output	Read	Goes low to indicate reading from the external address space.
	$\overline{HWR}$	Output	High write	Strobe signal indicating writing to the external address space; indicates valid data on the upper data bus (D15 to D8).
	$\overline{LWR}$	Output	Low write	Strobe signal indicating writing to the external address space; indicates valid data on the lower data bus (D7 to D0).
	$\overline{WAIT}$	Input	Wait	Requests insertion of wait states in bus cycles during access to 3-state external address space.
16-bit timer-pulse unit (TPU)	TCLKD to TCLKA	Input	Clock input D to A	These pins input an external clock.
	TIOCA0, TIOCB0, TIOCC0, TIOCD0	Input/ output	Input capture/ output compare match A0 to D0	The TGR0A to TGR0D input capture input/output compare output/PWM output pins
	TIOCA1, TIOCB1	Input/ output	Input capture/ output compare match A1 and B1	The TGR1A and TGR1B input capture input/output compare output/PWM output pins
	TIOCA2, TIOCB2	Input/ output	Input capture/ output compare match A2 and B2	The TGR2A and TGR2B input capture input/output compare output/PWM output pins
	TIOCA3, TIOCB3, TIOCC3, TIOCD3	Input/ output	Input capture/ output compare match A3 to D3	The TGR3A to TGR3D input capture input/output compare output/PWM output pins
	TIOCA4, TIOCB4	Input/ output	Input capture/ output compare match A4 and B4	The TGR4A and TGR4B input capture input/output compare output/PWM output pins
	TIOCA5, TIOCB5	Input/ output	Input capture/ output compare match A5 and B5	The TGR5A and TGR5B input capture input/output compare output/PWM output pins



Type	Symbol	I/O	Pin Name	Function
Programmable pulse generator (PPG)	PO15 to PO8	Output	Pulse output 15 to 8	Pulse output pins
Watchdog timer (WDT)	WDTOVF	Output	Watchdog timer overflow	The counter overflow signal output pin in watchdog timer mode
Serial communication interface (SCI)/ smart card interface	TxD2, TxD1, TxD0	Output	Transmit data	Data output pins
	RxD2, RxD1, RxD0	Input	Receive data	Data input pins
	SCK2, SCK1, SCK0	Input/output	Serial clock	Clock input/output pins
Hitachi controller area network (HCAN)	HTxD	Output	HCAN transmit data	The CAN bus transmission pin
	HRxD	Input	HCAN receive data	The CAN bus reception pin
A/D converter	AN15 to AN0	Input	Analog 15 to 0	Analog input pins
	ADTRG	Input	A/D conversion external trigger input	Pin for input of an external trigger to start A/D conversion
D/A converter pin	DA3, DA2	Output	Analog output	D/A converter analog output pins
A/D converter/ D/A converter	AVCC	Input	Analog power supply	The power supply pin for the A/D and D/A converters. When the A/D and D/A converters are not used, connect this pin to the system power supply (+5 V).
	AVSS	Input	Analog ground	The ground pin and reference voltage for the A/D and D/A converters. Connect this pin to the system power supply (0 V).
	Vref	Input	Analog reference power supply	The reference voltage input pin for the A/D and D/A converters. When the A/D and D/A converters are not used, connect this pin to the system power supply (+5 V).

Type	Symbol	I/O	Pin Name	Function
I/O ports	P17 to P10	Input/output	Port 1	Eight input/output pins. Input or output can be selected for each pin in the port 1 data direction register (P1DDR).
	P47 to P40	Input	Port 4	Eight input pins
	P97 to P90	Input	Port 9	Eight input pins
	PA5 to PA0* <sup>2</sup>	Input/output	Port A	Six input/output pins. Input or output can be selected for each pin in the port A data direction register (PADDDR).
	PB7 to PB0	Input/output	Port B	Eight input/output pins. Input or output can be selected for each pin in the port B data direction register (PBDDR).
	PC7 to PC0	Input/output	Port C	Eight input/output pins. Input or output can be selected for each pin in the port C data direction register (PCDDR).
	PD7 to PD0	Input/output	Port D	Eight input/output pins. Input or output can be selected for each pin in the port D data direction register (PDDDR).
	PE7 to PE0	Input/output	Port E	Eight input/output pins. Input or output can be selected for each pin in the port E data direction register (PEDDDR).
	PF7 to PF0	Input/output	Port F	Eight input/output pins. Input or output can be selected for each pin in the port F data direction register (PFDDR).

Notes: \*1 Applies to the H8S/2626 Series only.

\*2 PA3 to PA0 in the H8S/2626 Series.

## 2.1 Overview

The H8S/2600 CPU is a high-speed central processing unit with an internal 32-bit architecture that is upward-compatible with the H8/300 and H8/300H CPUs. The H8S/2600 CPU has sixteen 16-bit general registers, can address a 16-Mbyte (architecturally 4-Gbyte) linear address space, and is ideal for realtime control.

### 2.1.1 Features

The H8S/2600 CPU has the following features.

- Upward-compatible with H8/300 and H8/300H CPUs
  - Can execute H8/300 and H8/300H object programs
- General-register architecture
  - Sixteen 16-bit general registers (also usable as sixteen 8-bit registers or eight 32-bit registers)
- Sixty-nine basic instructions
  - 8/16/32-bit arithmetic and logic instructions
  - Multiply and divide instructions
  - Powerful bit-manipulation instructions
  - Multiply-and-accumulate instruction
- Eight addressing modes
  - Register direct [Rn]
  - Register indirect [@ERn]
  - Register indirect with displacement [@(d:16,ERn) or @(d:32,ERn)]
  - Register indirect with post-increment or pre-decrement [@ERn+ or @-ERn]
  - Absolute address [@aa:8, @aa:16, @aa:24, or @aa:32]
  - Immediate [#xx:8, #xx:16, or #xx:32]
  - Program-counter relative [@(d:8,PC) or @(d:16,PC)]
  - Memory indirect [@@aa:8]
- 16-Mbyte address space
  - Program: 16 Mbytes
  - Data: 16 Mbytes (4 Gbytes architecturally)

- High-speed operation
  - All frequently-used instructions execute in one or two states
  - Maximum clock rate : 20 MHz
  - 8/16/32-bit register-register add/subtract : 50 ns
  - $8 \times 8$ -bit register-register multiply : 150 ns
  - $16 \div 8$ -bit register-register divide : 600 ns
  - $16 \times 16$ -bit register-register multiply : 200 ns
  - $32 \div 16$ -bit register-register divide : 1000 ns
- Two CPU operating modes
  - Normal mode\*
  - Advanced mode

Note: \* Not available in the H8S/2626 Series or H8S/2623 Series.

- Power-down state
  - Transition to power-down state by SLEEP instruction
  - CPU clock speed selection

### 2.1.2 Differences between H8S/2600 CPU and H8S/2000 CPU

The differences between the H8S/2600 CPU and the H8S/2000 CPU are as shown below.

- Register configuration
 

The MAC register is supported only by the H8S/2600 CPU.
- Basic instructions
 

The four instructions MAC, CLRMAC, LDMAC, and STMAC are supported only by the H8S/2600 CPU.
- Number of execution states
 

The number of execution states of the MULXU and MULXS instructions is different in each CPU.

Instruction	Mnemonic	Execution States	
		H8S/2600	H8S/2000
MULXU	MULXU.B Rs, Rd	3	12
	MULXU.W Rs, ERd	4	20
MULXS	MULXS.B Rs, Rd	4	13
	MULXS.W Rs, ERd	5	21

In addition, there are differences in address space, CCR and EXR register functions, power-down modes, etc., depending on the model.

### 2.1.3 Differences from H8/300 CPU

In comparison to the H8/300 CPU, the H8S/2600 CPU has the following enhancements.

- More general registers and control registers
  - Eight 16-bit expanded registers, and one 8-bit and two 32-bit control registers, have been added.
- Expanded address space
  - Normal mode\* supports the same 64-kbyte address space as the H8/300 CPU.
  - Advanced mode supports a maximum 16-Mbyte address space.

Note: \* Not available in the H8S/2626 Series or H8S/2623 Series.

- Enhanced addressing
  - The addressing modes have been enhanced to make effective use of the 16-Mbyte address space.
- Enhanced instructions
  - Addressing modes of bit-manipulation instructions have been enhanced.
  - Signed multiply and divide instructions have been added.
  - A multiply-and-accumulate instruction has been added.
  - Two-bit shift instructions have been added.
  - Instructions for saving and restoring multiple registers have been added.
  - A test and set instruction has been added.
- Higher speed
  - Basic instructions execute twice as fast.

### 2.1.4 Differences from H8/300H CPU

In comparison to the H8/300H CPU, the H8S/2600 CPU has the following enhancements.

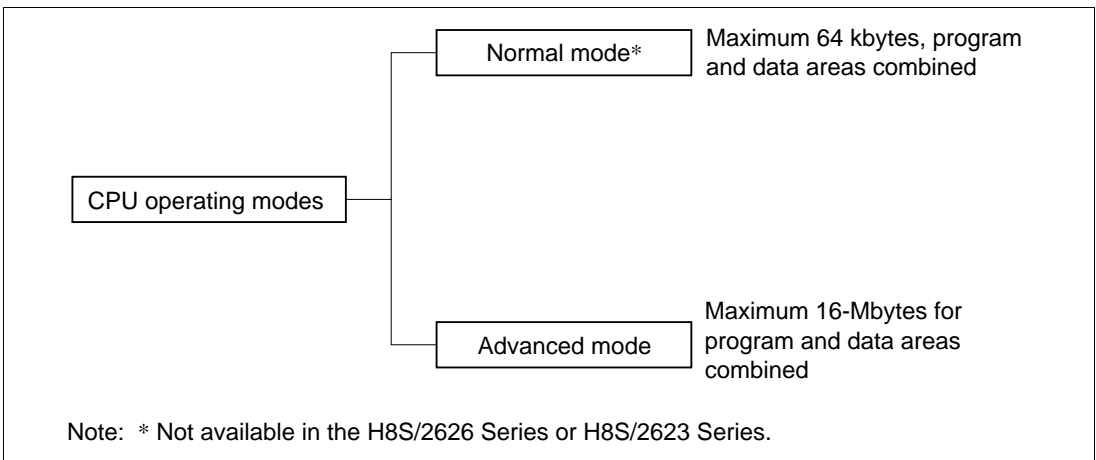
- Additional control register
  - One 8-bit and two 32-bit control registers have been added.
- Enhanced instructions
  - Addressing modes of bit-manipulation instructions have been enhanced.
  - A multiply-and-accumulate instruction has been added.

- Two-bit shift instructions have been added.
  - Instructions for saving and restoring multiple registers have been added.
  - A test and set instruction has been added.
- Higher speed
    - Basic instructions execute twice as fast.

## 2.2 CPU Operating Modes

The H8S/2600 CPU has two operating modes: normal and advanced. Normal mode\* supports a maximum 64-kbyte address space. Advanced mode supports a maximum 16-Mbyte total address space (architecturally a maximum 16-Mbyte program area and a maximum of 4 Gbytes for program and data areas combined). The mode is selected by the mode pins of the microcontroller.

Note: \* Not available in the H8S/2626 Series or H8S/2623 Series.



**Figure 2-1 CPU Operating Modes**

### (1) Normal Mode (Not Available in the H8S/2626 Series or H8S/2623 Series)

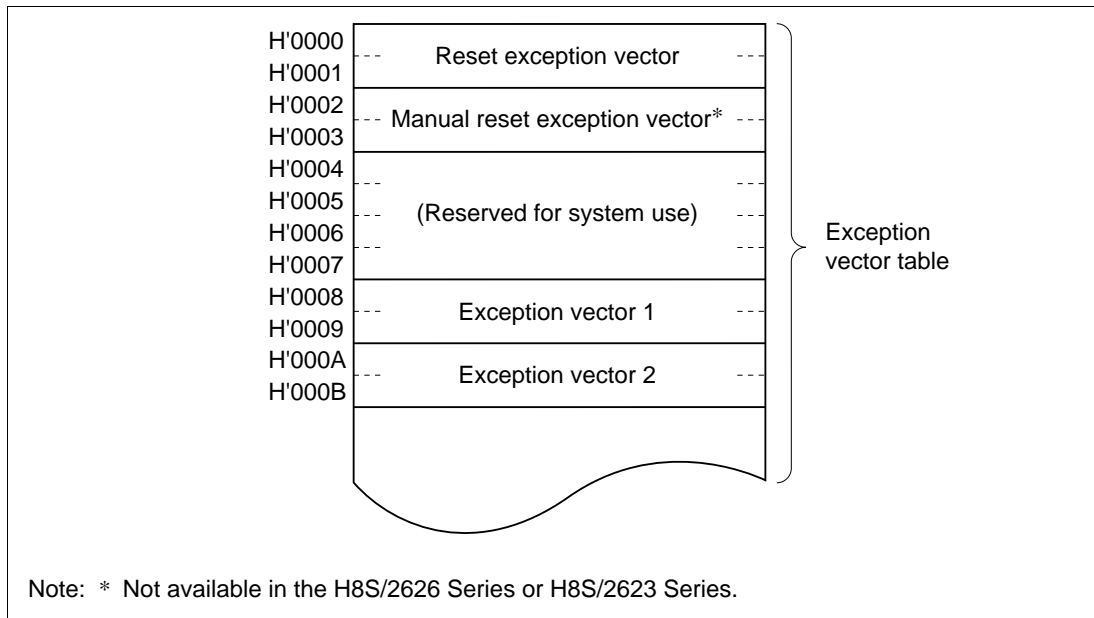
The exception vector table and stack have the same structure as in the H8/300 CPU.

**Address Space:** A maximum address space of 64 kbytes can be accessed.

**Extended Registers (En):** The extended registers (E0 to E7) can be used as 16-bit registers, or as the upper 16-bit segments of 32-bit registers. When En is used as a 16-bit register it can contain any value, even when the corresponding general register (Rn) is used as an address register. If the general register is referenced in the register indirect addressing mode with pre-decrement (@-Rn) or post-increment (@Rn+) and a carry or borrow occurs, however, the value in the corresponding extended register (En) will be affected.

**Instruction Set:** All instructions and addressing modes can be used. Only the lower 16 bits of effective addresses (EA) are valid.

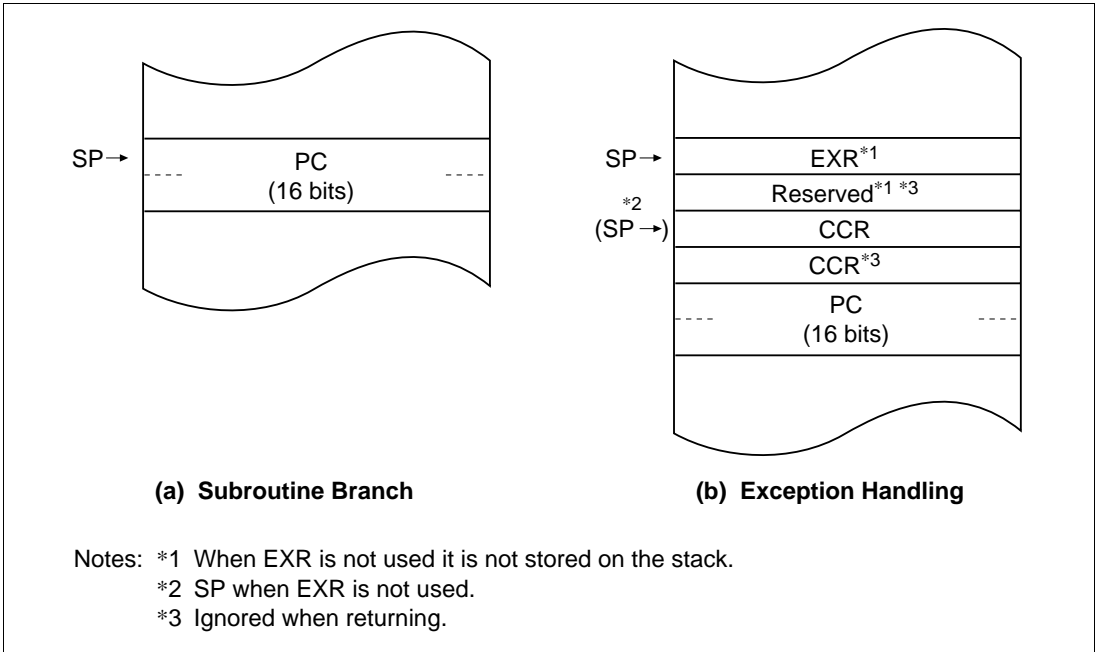
**Exception Vector Table and Memory Indirect Branch Addresses:** In normal mode the top area starting at H'0000 is allocated to the exception vector table. One branch address is stored per 16 bits (figure 2-2). The exception vector table differs depending on the microcontroller. For details of the exception vector table, see section 4, Exception Handling.



**Figure 2-2 Exception Vector Table (Normal Mode)**

The memory indirect addressing mode (@@aa:8) employed in the JMP and JSR instructions uses an 8-bit absolute address included in the instruction code to specify a memory operand that contains a branch address. In normal mode the operand is a 16-bit word operand, providing a 16-bit branch address. Branch addresses can be stored in the top area from H'0000 to H'00FF. Note that this area is also used for the exception vector table.

**Stack Structure:** When the program counter (PC) is pushed onto the stack in a subroutine call, and the PC, condition-code register (CCR), and extended control register (EXR) are pushed onto the stack in exception handling, they are stored as shown in figure 2-3. When EXR is invalid, it is not pushed onto the stack. For details, see section 4, Exception Handling.



**Figure 2-3 Stack Structure in Normal Mode**

## (2) Advanced Mode

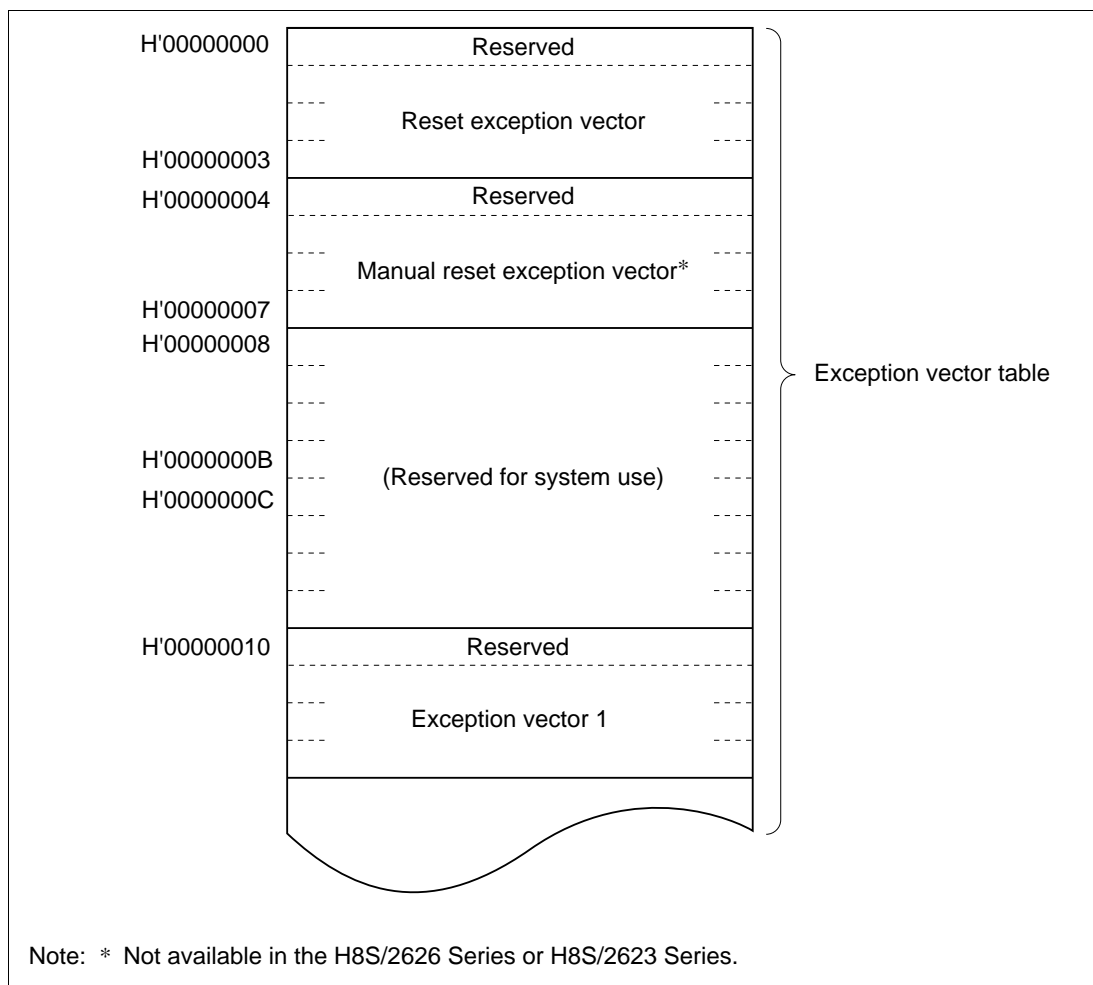
**Address Space:** Linear access is provided to a 16-Mbyte maximum address space (architecturally a maximum 16-Mbyte program area and a maximum 4-Gbyte data area, with a maximum of 4 Gbytes for program and data areas combined).

**Extended Registers (En):** The extended registers (E0 to E7) can be used as 16-bit registers, or as the upper 16-bit segments of 32-bit registers or address registers.

**Instruction Set:** All instructions and addressing modes can be used.



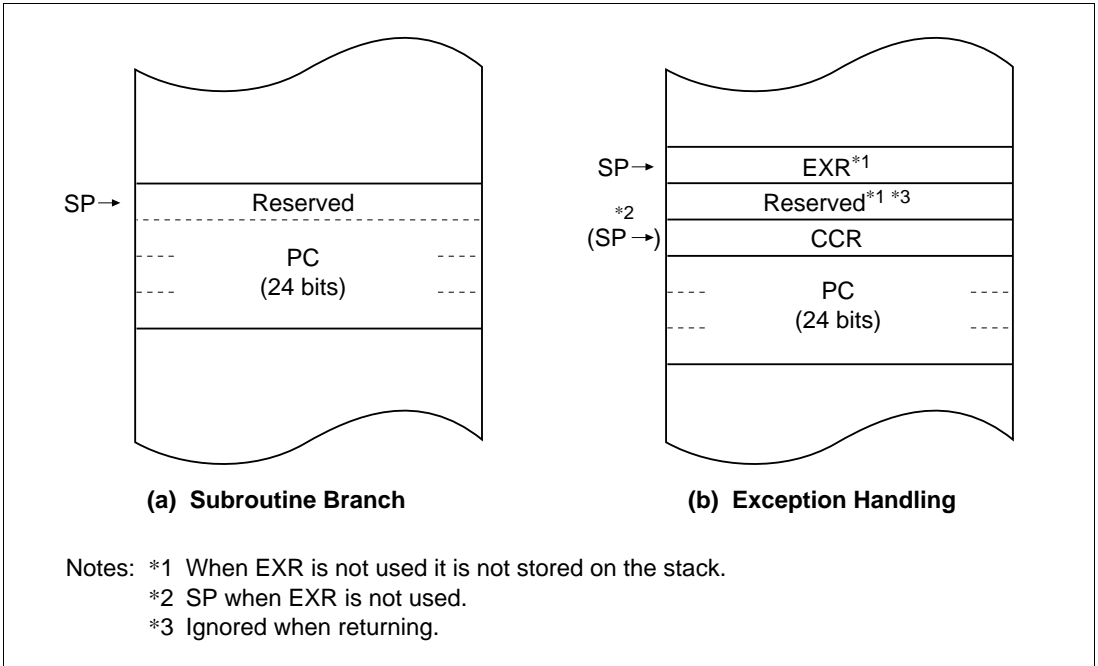
**Exception Vector Table and Memory Indirect Branch Addresses:** In advanced mode the top area starting at H'00000000 is allocated to the exception vector table in units of 32 bits. In each 32 bits, the upper 8 bits are ignored and a branch address is stored in the lower 24 bits (figure 2-4). For details of the exception vector table, see section 4, Exception Handling.



**Figure 2-4 Exception Vector Table (Advanced Mode)**

The memory indirect addressing mode (@@aa:8) employed in the JMP and JSR instructions uses an 8-bit absolute address included in the instruction code to specify a memory operand that contains a branch address. In advanced mode the operand is a 32-bit longword operand, providing a 32-bit branch address. The upper 8 bits of these 32 bits are a reserved area that is regarded as H'00. Branch addresses can be stored in the area from H'00000000 to H'000000FF. Note that the first part of this range is also the exception vector table.

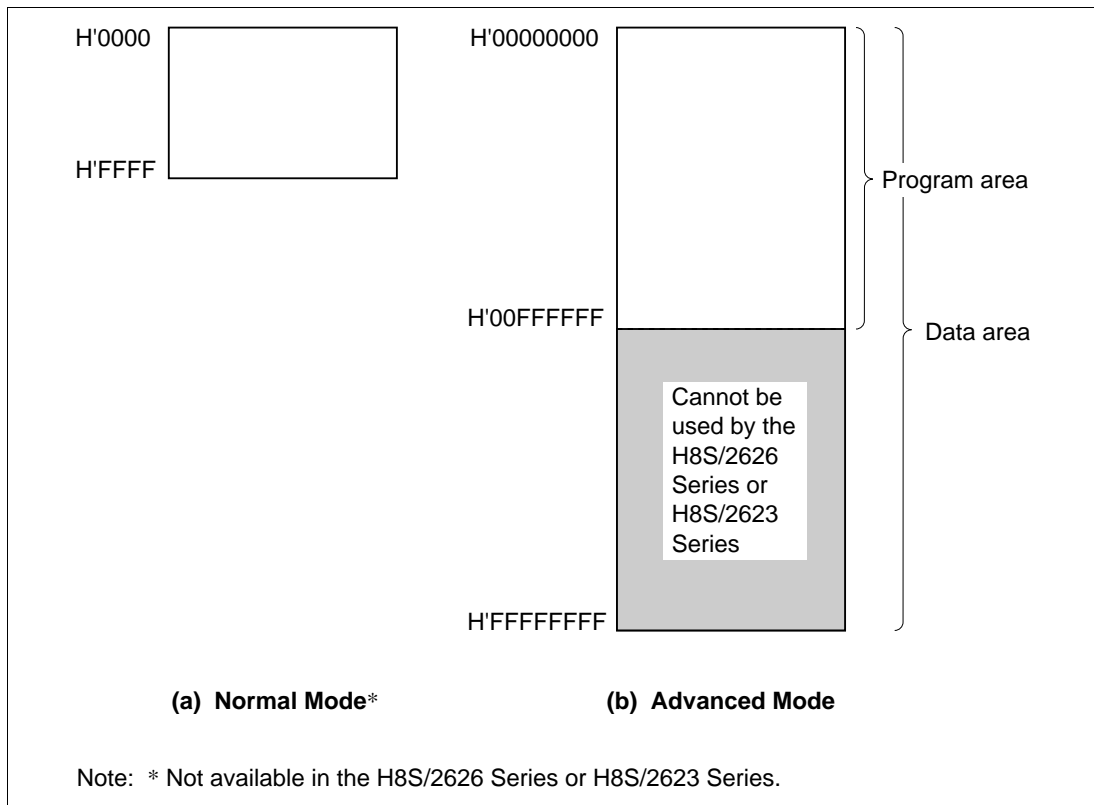
**Stack Structure:** In advanced mode, when the program counter (PC) is pushed onto the stack in a subroutine call, and the PC, condition-code register (CCR), and extended control register (EXR) are pushed onto the stack in exception handling, they are stored as shown in figure 2-5. When EXR is invalid, it is not pushed onto the stack. For details, see section 4, Exception Handling.



**Figure 2-5 Stack Structure in Advanced Mode**

## 2.3 Address Space

Figure 2-6 shows a memory map of the H8S/2600 CPU. The H8S/2600 CPU provides linear access to a maximum 64-kbyte address space in normal mode, and a maximum 16-Mbyte (architecturally 4-Gbyte) address space in advanced mode.



**Figure 2-6 Memory Map**

## 2.4 Register Configuration

### 2.4.1 Overview

The CPU has the internal registers shown in figure 2-7. There are two types of registers: general registers and control registers.

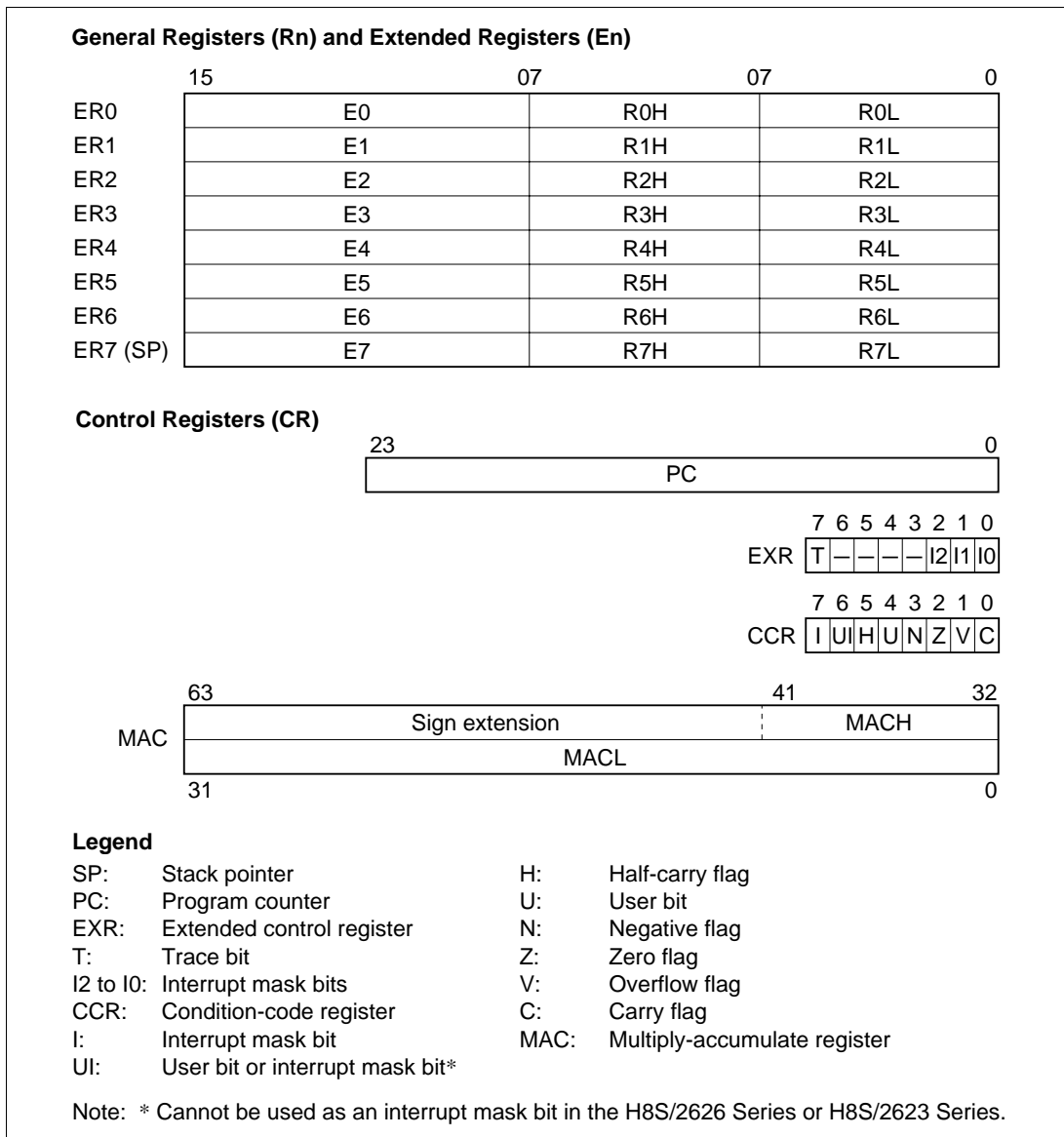


Figure 2-7 CPU Registers

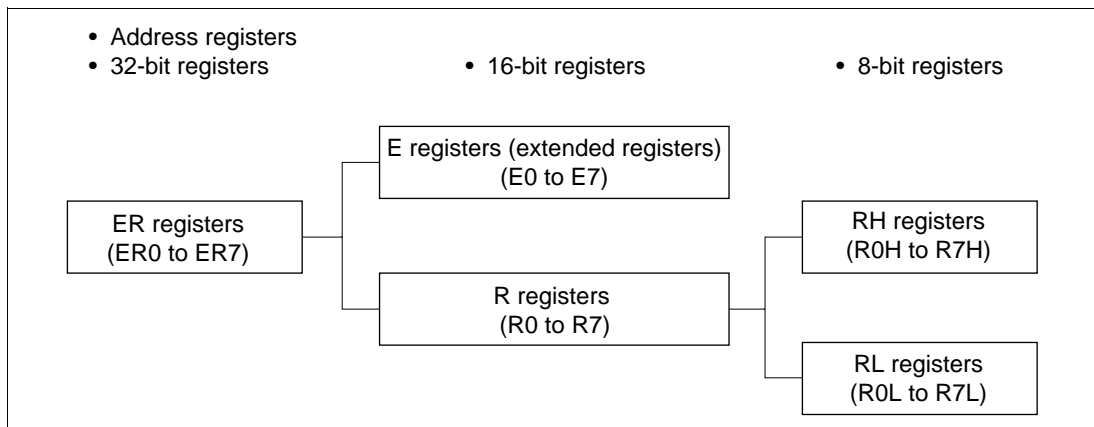
## 2.4.2 General Registers

The CPU has eight 32-bit general registers. These general registers are all functionally alike and can be used as both address registers and data registers. When a general register is used as a data register, it can be accessed as a 32-bit, 16-bit, or 8-bit register. When the general registers are used as 32-bit registers or address registers, they are designated by the letters ER (ER0 to ER7).

The ER registers divide into 16-bit general registers designated by the letters E (E0 to E7) and R (R0 to R7). These registers are functionally equivalent, providing a maximum sixteen 16-bit registers. The E registers (E0 to E7) are also referred to as extended registers.

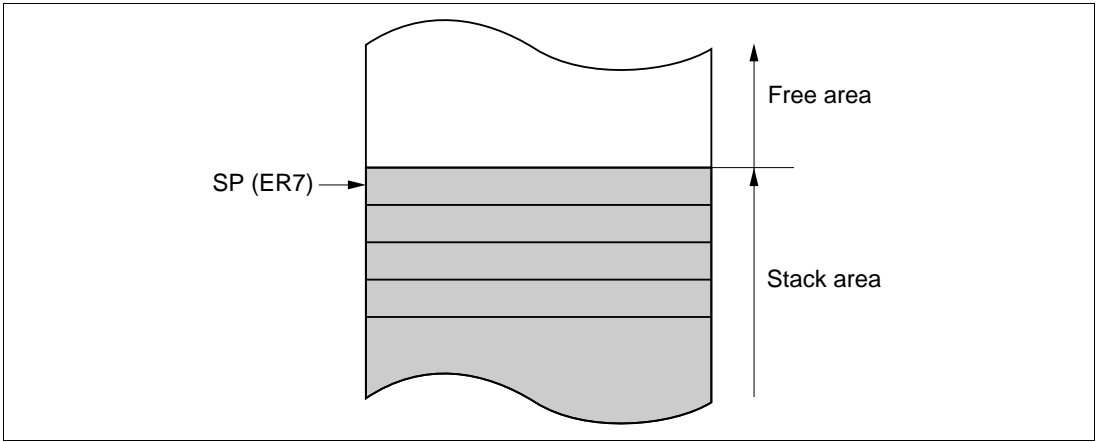
The R registers divide into 8-bit general registers designated by the letters RH (R0H to R7H) and RL (R0L to R7L). These registers are functionally equivalent, providing a maximum sixteen 8-bit registers.

Figure 2-8 illustrates the usage of the general registers. The usage of each register can be selected independently.



**Figure 2-8 Usage of General Registers**

General register ER7 has the function of stack pointer (SP) in addition to its general-register function, and is used implicitly in exception handling and subroutine calls. Figure 2-9 shows the stack.



**Figure 2-9 Stack**

### 2.4.3 Control Registers

The control registers are the 24-bit program counter (PC), 8-bit extended control register (EXR), 8-bit condition-code register (CCR), and 64-bit multiply-accumulate register (MAC).

**(1) Program Counter (PC):** This 24-bit counter indicates the address of the next instruction the CPU will execute. The length of all CPU instructions is 2 bytes (one word), so the least significant PC bit is ignored. (When an instruction is fetched, the least significant PC bit is regarded as 0.)

**(2) Extended Control Register (EXR):** This 8-bit register contains the trace bit (T) and three interrupt mask bits (I2 to I0).

**Bit 7—Trace Bit (T):** Selects trace mode. When this bit is cleared to 0, instructions are executed in sequence. When this bit is set to 1, a trace exception is generated each time an instruction is executed.

**Bits 6 to 3—Reserved:** They are always read as 1.

**Bits 2 to 0—Interrupt Mask Bits (I2 to I0):** These bits designate the interrupt mask level (0 to 7). For details, refer to section 5, Interrupt Controller.

Operations can be performed on the EXR bits by the LDC, STC, ANDC, ORC, and XORC instructions. All interrupts, including NMI, are disabled for three states after one of these instructions is executed, except for STC.

**(3) Condition-Code Register (CCR):** This 8-bit register contains internal CPU status information, including an interrupt mask bit (I) and half-carry (H), negative (N), zero (Z), overflow (V), and carry (C) flags.

**Bit 7—Interrupt Mask Bit (I):** Masks interrupts other than NMI when set to 1. (NMI is accepted regardless of the I bit setting.) The I bit is set to 1 by hardware at the start of an exception-handling sequence. For details, refer to section 5, Interrupt Controller.

**Bit 6—User Bit or Interrupt Mask Bit (UI):** Can be written and read by software using the LDC, STC, ANDC, ORC, and XORC instructions. This bit can also be used as an interrupt mask bit. For details, refer to section 5, Interrupt Controller.

**Bit 5—Half-Carry Flag (H):** When the ADD.B, ADDX.B, SUB.B, SUBX.B, CMP.B, or NEG.B instruction is executed, this flag is set to 1 if there is a carry or borrow at bit 3, and cleared to 0 otherwise. When the ADD.W, SUB.W, CMP.W, or NEG.W instruction is executed, the H flag is set to 1 if there is a carry or borrow at bit 11, and cleared to 0 otherwise. When the ADD.L, SUB.L, CMP.L, or NEG.L instruction is executed, the H flag is set to 1 if there is a carry or borrow at bit 27, and cleared to 0 otherwise.

**Bit 4—User Bit (U):** Can be written and read by software using the LDC, STC, ANDC, ORC, and XORC instructions.

**Bit 3—Negative Flag (N):** Stores the value of the most significant bit (sign bit) of data.

**Bit 2—Zero Flag (Z):** Set to 1 to indicate zero data, and cleared to 0 to indicate non-zero data.

**Bit 1—Overflow Flag (V):** Set to 1 when an arithmetic overflow occurs, and cleared to 0 at other times.

**Bit 0—Carry Flag (C):** Set to 1 when a carry occurs, and cleared to 0 otherwise. Used by:

- Add instructions, to indicate a carry
- Subtract instructions, to indicate a borrow
- Shift and rotate instructions, to store the value shifted out of the end bit

The carry flag is also used as a bit accumulator by bit manipulation instructions.

Some instructions leave some or all of the flag bits unchanged. For the action of each instruction on the flag bits, refer to Appendix A.1, List of Instructions.

Operations can be performed on the CCR bits by the LDC, STC, ANDC, ORC, and XORC instructions. The N, Z, V, and C flags are used as branching conditions for conditional branch (Bcc) instructions.

**(4) Multiply-Accumulate Register (MAC):** This 64-bit register stores the results of multiply-and-accumulate operations. It consists of two 32-bit registers denoted MACH and MACL. The lower 10 bits of MACH are valid; the upper bits are a sign extension.

#### 2.4.4 Initial Register Values

Reset exception handling loads the CPU's program counter (PC) from the vector table, clears the trace bit in EXR to 0, and sets the interrupt mask bits in CCR and EXR to 1. The other CCR bits and the general registers are not initialized. In particular, the stack pointer (ER7) is not initialized. The stack pointer should therefore be initialized by an MOV.L instruction executed immediately after a reset.



## 2.5 Data Formats

The CPU can process 1-bit, 4-bit (BCD), 8-bit (byte), 16-bit (word), and 32-bit (longword) data. Bit-manipulation instructions operate on 1-bit data by accessing bit  $n$  ( $n = 0, 1, 2, \dots, 7$ ) of byte operand data. The DAA and DAS decimal-adjust instructions treat byte data as two digits of 4-bit BCD data.

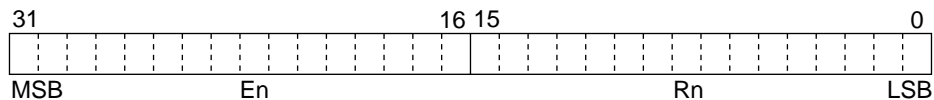
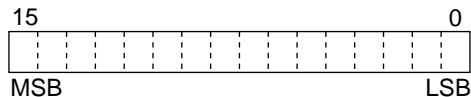
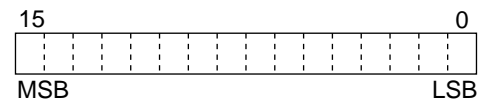
### 2.5.1 General Register Data Formats

Figure 2-10 shows the data formats in general registers.

Data Type	Register Number	Data Format
1-bit data	RnH	
1-bit data	RnL	
4-bit BCD data	RnH	
4-bit BCD data	RnL	
Byte data	RnH	
Byte data	RnL	

Figure 2-10 General Register Data Formats

Data Type	Register Number	Data Format
Word data	Rn	
Word data	En	
Longword data	ERn	



**Legend**

ERn: General register ER

En: General register E

Rn: General register R

RnH: General register RH

RnL: General register RL

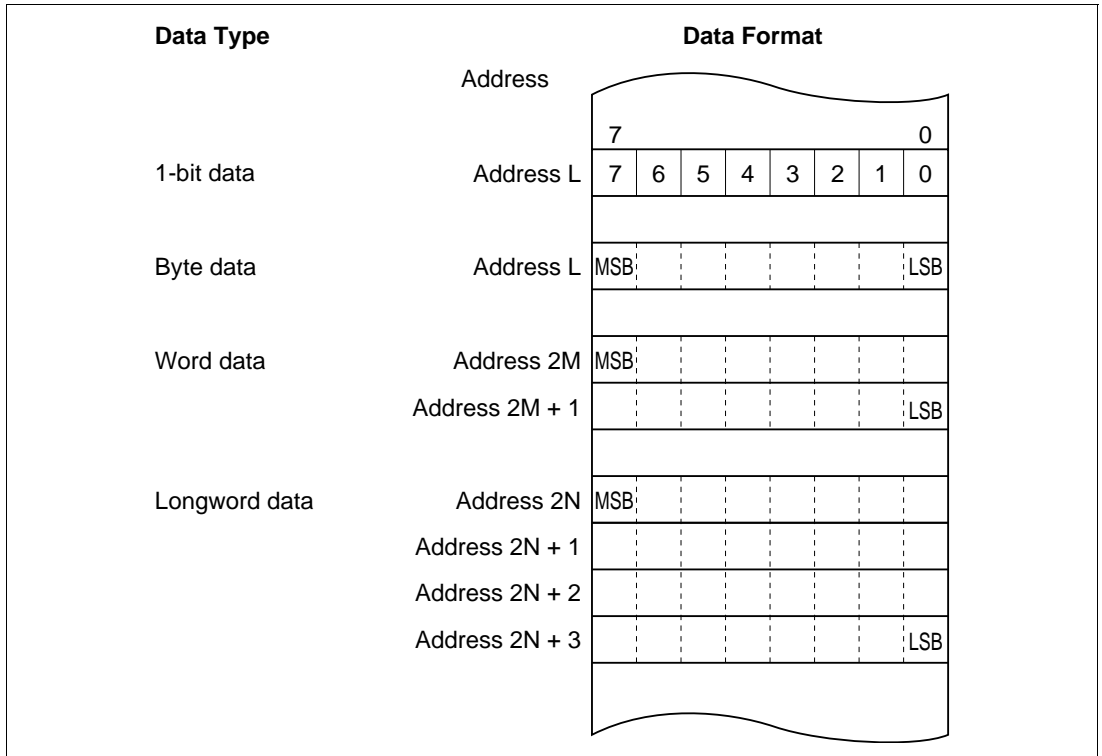
MSB: Most significant bit

LSB: Least significant bit

**Figure 2-10 General Register Data Formats (cont)**

## 2.5.2 Memory Data Formats

Figure 2-11 shows the data formats in memory. The CPU can access word data and longword data in memory, but word or longword data must begin at an even address. If an attempt is made to access word or longword data at an odd address, no address error occurs but the least significant bit of the address is regarded as 0, so the access starts at the preceding address. This also applies to instruction fetches.



**Figure 2-11 Memory Data Formats**

When ER7 is used as an address register to access the stack, the operand size should be word size or longword size.

## 2.6 Instruction Set

### 2.6.1 Overview

The H8S/2600 CPU has 69 types of instructions. The instructions are classified by function in table 2-1.

**Table 2-1 Instruction Classification**

Function	Instructions	Size	Types
Data transfer	MOV	BWL	5
	POP* <sup>1</sup> , PUSH* <sup>1</sup>	WL	
	LDM, STM	L	
	MOVFPE* <sup>3</sup> , MOVTPPE* <sup>3</sup>	B	
Arithmetic operations	ADD, SUB, CMP, NEG	BWL	23
	ADDX, SUBX, DAA, DAS	B	
	INC, DEC	BWL	
	ADDS, SUBS	L	
	MULXU, DIVXU, MULXS, DIVXS	BW	
	EXTU, EXTS	WL	
	TAS* <sup>4</sup>	B	
	MAC, LDMAC, STMAC, CLRMAC	—	
Logic operations	AND, OR, XOR, NOT	BWL	4
Shift	SHAL, SHAR, SHLL, SHLR, ROTL, ROTR, ROTXL, ROTXR	BWL	8
Bit manipulation	BSET, BCLR, BNOT, BTST, BLD, BILD, BST, BIST, BAND, BIAND, BOR, BIOR, BXOR, BIXOR	B	14
Branch	Bcc* <sup>2</sup> , JMP, BSR, JSR, RTS	—	5
System control	TRAPA, RTE, SLEEP, LDC, STC, ANDC, ORC, XORC, NOP	—	9
Block data transfer	EPMOV	—	1

Total: 69

Notes: B-byte size; W-word size; L-longword size.

\*1 POP.W Rn and PUSH.W Rn are identical to MOV.W @SP+, Rn and MOV.W Rn, @-SP. POP.L ERn and PUSH.L ERn are identical to MOV.L @SP+, ERn and MOV.L ERn, @-SP.

\*2 Bcc is the general name for conditional branch instructions.

\*3 Not available in the H8S/2626 Series or H8S/2623 Series.

\*4 Only register ER0, ER1, ER4, or ER5 should be used when using the TAS instruction.

## 2.6.2 Instructions and Addressing Modes

Table 2-2 indicates the combinations of instructions and addressing modes that the H8S/2600 CPU can use.

**Table 2-2 Combinations of Instructions and Addressing Modes**

Function	Instruction	Addressing Modes													
		#xx	Rn	@ERn	@(d:16,ERn)	@(d:32,ERn)	@-ERn/@ERn+	@aa:8	@aa:16	@aa:24	@aa:32	@(d:8,PC)	@(d:16,PC)	@aa:8	—
Data transfer	MOV	BWL	BWL	BWL	BWL	BWL	BWL	B	BWL	—	—	—	—	—	—
	POP, PUSH	—	—	—	—	—	—	—	—	—	—	—	—	—	WL
	LDM, STM	—	—	—	—	—	—	—	—	—	—	—	—	—	L
Arithmetic operations	MOVEPE*1, MOVTPe*1	—	—	—	—	—	—	—	—	—	—	B	—	—	—
	ADD, CMP	BWL	BWL	—	—	—	—	—	—	—	—	—	—	—	—
	SUB	WL	BWL	—	—	—	—	—	—	—	—	—	—	—	—
	ADDX, SUBX	B	B	—	—	—	—	—	—	—	—	—	—	—	—
	ADDS, SUBS	—	L	—	—	—	—	—	—	—	—	—	—	—	—
	INC, DEC	—	BWL	—	—	—	—	—	—	—	—	—	—	—	—
	DAA, DAS	—	B	—	—	—	—	—	—	—	—	—	—	—	—
	MULXU, DIVXU	—	BW	—	—	—	—	—	—	—	—	—	—	—	—
	MULXS, DIVXS	—	BW	—	—	—	—	—	—	—	—	—	—	—	—
	NEG	—	BWL	—	—	—	—	—	—	—	—	—	—	—	—
	EXTU, EXTS	—	WL	—	—	—	—	—	—	—	—	—	—	—	—
	TAS*2	—	—	B	—	—	—	—	—	—	—	—	—	—	—
	MAC	—	—	—	—	—	—	—	—	—	—	—	—	—	—
CLRMAC	—	—	—	—	—	—	—	—	—	—	—	—	—	—	
LDMAC, STMAC	—	L	—	—	—	—	—	—	—	—	—	—	—	—	

Function	Instruction	Addressing Modes																	
		#xx	Rn	@ERn	@(d:16,ERn)	@(d:32,ERn)	@-ERn/@ERn+	@aa:8	@aa:16	@aa:24	@aa:32	@(d:8,PC)	@(d:16,PC)	@aa:8					
Logic operations	AND, OR, XOR	BWL	BWL	—	—	—	—	—	—	—	—	—	—	—	—	—	—		
	NOT	—	BWL	—	—	—	—	—	—	—	—	—	—	—	—	—	—		
Shift		—	BWL	—	—	—	—	—	—	—	—	—	—	—	—	—	—		
Bit manipulation		—	B	B	—	—	—	—	—	—	—	—	—	B	—	—	—		
Branch	Bcc, BSR	—	—	—	—	—	—	—	—	—	—	—	—	—	—	—	—		
	JMP, JSR	—	—	—	—	—	—	—	—	—	—	—	—	—	—	—	—		
	RTS	—	—	—	—	—	—	—	—	—	—	—	—	—	—	—	—		
System control	TRAPA	—	—	—	—	—	—	—	—	—	—	—	—	—	—	—	—	—	
	RTE	—	—	—	—	—	—	—	—	—	—	—	—	—	—	—	—	—	
	SLEEP	—	—	—	—	—	—	—	—	—	—	—	—	—	—	—	—	—	
	LDC	B	B	W	W	W	W	W	W	W	W	W	W	W	W	W	W	W	
	STC	—	B	W	W	W	W	W	W	W	W	W	W	W	W	W	W	W	
	ANDC, ORC, XORC	B	—	—	—	—	—	—	—	—	—	—	—	—	—	—	—	—	—
NOP		—	—	—	—	—	—	—	—	—	—	—	—	—	—	—	—	—	
Block data transfer		—	—	—	—	—	—	—	—	—	—	—	—	—	—	—	—	—	
<b>Legend</b>																			
B: Byte																			
W: Word																			
L: Longword																			

Notes: \*1 Not available in the H8S/2626 Series or H8S/2623 Series.  
\*2 Only register ER0, ER1, ER4, or ER5 should be used when using the TAS instruction.

### 2.6.3 Table of Instructions Classified by Function

Table 2-3 summarizes the instructions in each functional category. The notation used in table 2-3 is defined below.

#### Operation Notation

Rd	General register (destination)*
Rs	General register (source)*
Rn	General register*
ERn	General register (32-bit register)
MAC	Multiply-accumulate register (32-bit register)
(EAd)	Destination operand
(EAs)	Source operand
EXR	Extended control register
CCR	Condition-code register
N	N (negative) flag in CCR
Z	Z (zero) flag in CCR
V	V (overflow) flag in CCR
C	C (carry) flag in CCR
PC	Program counter
SP	Stack pointer
#IMM	Immediate data
disp	Displacement
+	Addition
-	Subtraction
×	Multiplication
÷	Division
^	Logical AND
∨	Logical OR
⊕	Logical exclusive OR
→	Move
¬	NOT (logical complement)
:8/:16/:24/:32	8-, 16-, 24-, or 32-bit length

Note: \* General registers include 8-bit registers (R0H to R7H, R0L to R7L), 16-bit registers (R0 to R7, E0 to E7), and 32-bit registers (ER0 to ER7).

**Table 2-3 Instructions Classified by Function**

Type	Instruction	Size* <sup>1</sup>	Function
Data transfer	MOV	B/W/L	(EAs) → Rd, Rs → (Ead) Moves data between two general registers or between a general register and memory, or moves immediate data to a general register.
	MOVFPE	B	Cannot be used in the H8S/2626 Series or H8S/2623 Series.
	MOVTPPE	B	Cannot be used in the H8S/2626 Series or H8S/2623 Series.
	POP	W/L	@SP+ → Rn Pops a register from the stack. POP.W Rn is identical to MOV.W @SP+, Rn. POP.L ERn is identical to MOV.L @SP+, ERn.
	PUSH	W/L	Rn → @-SP Pushes a register onto the stack. PUSH.W Rn is identical to MOV.W Rn, @-SP. PUSH.L ERn is identical to MOV.L ERn, @-SP.
	LDM	L	@SP+ → Rn (register list) Pops two or more general registers from the stack.
	STM	L	Rn (register list) → @-SP Pushes two or more general registers onto the stack.



Type	Instruction	Size* <sup>1</sup>	Function
Arithmetic operations	ADD SUB	B/W/L	$Rd \pm Rs \rightarrow Rd$ , $Rd \pm \#IMM \rightarrow Rd$ Performs addition or subtraction on data in two general registers, or on immediate data and data in a general register. (Immediate byte data cannot be subtracted from byte data in a general register. Use the SUBX or ADD instruction.)
	ADDX SUBX	B	$Rd \pm Rs \pm C \rightarrow Rd$ , $Rd \pm \#IMM \pm C \rightarrow Rd$ Performs addition or subtraction with carry or borrow on byte data in two general registers, or on immediate data and data in a general register.
	INC DEC	B/W/L	$Rd \pm 1 \rightarrow Rd$ , $Rd \pm 2 \rightarrow Rd$ Increments or decrements a general register by 1 or 2. (Byte operands can be incremented or decremented by 1 only.)
	ADDS SUBS	L	$Rd \pm 1 \rightarrow Rd$ , $Rd \pm 2 \rightarrow Rd$ , $Rd \pm 4 \rightarrow Rd$ Adds or subtracts the value 1, 2, or 4 to or from data in a 32-bit register.
	DAA DAS	B	$Rd \text{ decimal adjust} \rightarrow Rd$ Decimal-adjusts an addition or subtraction result in a general register by referring to the CCR to produce 4-bit BCD data.
	MULXU	B/W	$Rd \times Rs \rightarrow Rd$ Performs unsigned multiplication on data in two general registers: either 8 bits $\times$ 8 bits $\rightarrow$ 16 bits or 16 bits $\times$ 16 bits $\rightarrow$ 32 bits.
	MULXS	B/W	$Rd \times Rs \rightarrow Rd$ Performs signed multiplication on data in two general registers: either 8 bits $\times$ 8 bits $\rightarrow$ 16 bits or 16 bits $\times$ 16 bits $\rightarrow$ 32 bits.
	DIVXU	B/W	$Rd \div Rs \rightarrow Rd$ Performs unsigned division on data in two general registers: either 16 bits $\div$ 8 bits $\rightarrow$ 8-bit quotient and 8-bit remainder or 32 bits $\div$ 16 bits $\rightarrow$ 16-bit quotient and 16-bit remainder.

Type	Instruction	Size* <sup>1</sup>	Function
Arithmetic operations	DIVXS	B/W	$Rd \div Rs \rightarrow Rd$ Performs signed division on data in two general registers: either 16 bits $\div$ 8 bits $\rightarrow$ 8-bit quotient and 8-bit remainder or 32 bits $\div$ 16 bits $\rightarrow$ 16-bit quotient and 16-bit remainder.
	CMP	B/W/L	$Rd - Rs, Rd - \#IMM$ Compares data in a general register with data in another general register or with immediate data, and sets CCR bits according to the result.
	NEG	B/W/L	$0 - Rd \rightarrow Rd$ Takes the two's complement (arithmetic complement) of data in a general register.
	EXTU	W/L	$Rd$ (zero extension) $\rightarrow Rd$ Extends the lower 8 bits of a 16-bit register to word size, or the lower 16 bits of a 32-bit register to longword size, by padding with zeros on the left.
	EXTS	W/L	$Rd$ (sign extension) $\rightarrow Rd$ Extends the lower 8 bits of a 16-bit register to word size, or the lower 16 bits of a 32-bit register to longword size, by extending the sign bit.
	TAS	B	$@ERd - 0, 1 \rightarrow \langle \text{bit } 7 \rangle \text{ of } @ERd$ * <sup>2</sup> Tests memory contents, and sets the most significant bit (bit 7) to 1.
	MAC	—	$(EAs) \times (EAd) + MAC \rightarrow MAC$ Performs signed multiplication on memory contents and adds the result to the multiply-accumulate register. The following operations can be performed: 16 bits $\times$ 16 bits + 32 bits $\rightarrow$ 32 bits, saturating 16 bits $\times$ 16 bits + 42 bits $\rightarrow$ 42 bits, non-saturating
	CLRMAC	—	$0 \rightarrow MAC$ Clears the multiply-accumulate register to zero.
	LDMAC STMAC	L	$Rs \rightarrow MAC, MAC \rightarrow Rd$ Transfers data between a general register and a multiply-accumulate register.

Type	Instruction	Size* <sup>1</sup>	Function
Logic operations	AND	B/W/L	$Rd \wedge Rs \rightarrow Rd$ , $Rd \wedge \#IMM \rightarrow Rd$ Performs a logical AND operation on a general register and another general register or immediate data.
	OR	B/W/L	$Rd \vee Rs \rightarrow Rd$ , $Rd \vee \#IMM \rightarrow Rd$ Performs a logical OR operation on a general register and another general register or immediate data.
	XOR	B/W/L	$Rd \oplus Rs \rightarrow Rd$ , $Rd \oplus \#IMM \rightarrow Rd$ Performs a logical exclusive OR operation on a general register and another general register or immediate data.
	NOT	B/W/L	$\neg (Rd) \rightarrow (Rd)$ Takes the one's complement of general register contents.
Shift operations	SHAL SHAR	B/W/L	$Rd \text{ (shift)} \rightarrow Rd$ Performs an arithmetic shift on general register contents. 1-bit or 2-bit shift is possible.
	SHLL SHLR	B/W/L	$Rd \text{ (shift)} \rightarrow Rd$ Performs a logical shift on general register contents. 1-bit or 2-bit shift is possible.
	ROTL ROTR	B/W/L	$Rd \text{ (rotate)} \rightarrow Rd$ Rotates general register contents. 1-bit or 2-bit rotation is possible.
	ROTXL ROTXR	B/W/L	$Rd \text{ (rotate)} \rightarrow Rd$ Rotates general register contents through the carry flag. 1-bit or 2-bit rotation is possible.

Type	Instruction	Size* <sup>1</sup>	Function
Bit-manipulation instructions	BSET	B	$1 \rightarrow \langle \text{bit-No.} \rangle \text{ of } \langle \text{EAd} \rangle$ Sets a specified bit in a general register or memory operand to 1. The bit number is specified by 3-bit immediate data or the lower three bits of a general register.
	BCLR	B	$0 \rightarrow \langle \text{bit-No.} \rangle \text{ of } \langle \text{EAd} \rangle$ Clears a specified bit in a general register or memory operand to 0. The bit number is specified by 3-bit immediate data or the lower three bits of a general register.
	BNOT	B	$\neg \langle \text{bit-No.} \rangle \text{ of } \langle \text{EAd} \rangle \rightarrow \langle \text{bit-No.} \rangle \text{ of } \langle \text{EAd} \rangle$ Inverts a specified bit in a general register or memory operand. The bit number is specified by 3-bit immediate data or the lower three bits of a general register.
	BTST	B	$\neg \langle \text{bit-No.} \rangle \text{ of } \langle \text{EAd} \rangle \rightarrow Z$ Tests a specified bit in a general register or memory operand and sets or clears the Z flag accordingly. The bit number is specified by 3-bit immediate data or the lower three bits of a general register.
	BAND	B	$C \wedge \langle \text{bit-No.} \rangle \text{ of } \langle \text{EAd} \rangle \rightarrow C$ ANDs the carry flag with a specified bit in a general register or memory operand and stores the result in the carry flag.
	BIAND	B	$C \wedge \neg \langle \text{bit-No.} \rangle \text{ of } \langle \text{EAd} \rangle \rightarrow C$ ANDs the carry flag with the inverse of a specified bit in a general register or memory operand and stores the result in the carry flag. The bit number is specified by 3-bit immediate data.
	BOR	B	$C \vee \langle \text{bit-No.} \rangle \text{ of } \langle \text{EAd} \rangle \rightarrow C$ ORs the carry flag with a specified bit in a general register or memory operand and stores the result in the carry flag.
	BIOR	B	$C \vee \neg \langle \text{bit-No.} \rangle \text{ of } \langle \text{EAd} \rangle \rightarrow C$ ORs the carry flag with the inverse of a specified bit in a general register or memory operand and stores the result in the carry flag. The bit number is specified by 3-bit immediate data.

Type	Instruction	Size* <sup>1</sup>	Function
Bit-manipulation instructions	BXOR	B	$C \oplus (\text{<bit-No.> of <EAd>}) \rightarrow C$ Exclusive-ORs the carry flag with a specified bit in a general register or memory operand and stores the result in the carry flag.
	BIXOR	B	$C \oplus \neg (\text{<bit-No.> of <EAd>}) \rightarrow C$ Exclusive-ORs the carry flag with the inverse of a specified bit in a general register or memory operand and stores the result in the carry flag. The bit number is specified by 3-bit immediate data.
	BLD	B	$(\text{<bit-No.> of <EAd>}) \rightarrow C$ Transfers a specified bit in a general register or memory operand to the carry flag.
	BILD	B	$\neg (\text{<bit-No.> of <EAd>}) \rightarrow C$ Transfers the inverse of a specified bit in a general register or memory operand to the carry flag. The bit number is specified by 3-bit immediate data.
	BST	B	$C \rightarrow (\text{<bit-No.> of <EAd>})$ Transfers the carry flag value to a specified bit in a general register or memory operand.
	BIST	B	$\neg C \rightarrow (\text{<bit-No.> of <EAd>})$ Transfers the inverse of the carry flag value to a specified bit in a general register or memory operand. The bit number is specified by 3-bit immediate data.

Type	Instruction	Size* <sup>1</sup>	Function		
Branch instructions	Bcc	—	Branches to a specified address if a specified condition is true. The branching conditions are listed below.		
			Mnemonic	Description	Condition
			BRA(BT)	Always (true)	Always
			BRN(BF)	Never (false)	Never
			BHI	High	$C \vee Z = 0$
			BLS	Low or same	$C \vee Z = 1$
			BCC(BHS)	Carry clear (high or same)	$C = 0$
			BCS(BLO)	Carry set (low)	$C = 1$
			BNE	Not equal	$Z = 0$
			BEQ	Equal	$Z = 1$
			BVC	Overflow clear	$V = 0$
			BVS	Overflow set	$V = 1$
			BPL	Plus	$N = 0$
			BMI	Minus	$N = 1$
			BGE	Greater or equal	$N \oplus V = 0$
			BLT	Less than	$N \oplus V = 1$
			BGT	Greater than	$Z \vee (N \oplus V) = 0$
BLE	Less or equal	$Z \vee (N \oplus V) = 1$			
JMP	—	Branches unconditionally to a specified address.			
BSR	—	Branches to a subroutine at a specified address.			
JSR	—	Branches to a subroutine at a specified address.			
RTS	—	Returns from a subroutine			

Type	Instruction	Size* <sup>1</sup>	Function
System control instructions	TRAPA	—	Starts trap-instruction exception handling.
	RTE	—	Returns from an exception-handling routine.
	SLEEP	—	Causes a transition to a power-down state.
	LDC	B/W	(EAs) → CCR, (EAs) → EXR Moves the source operand contents or immediate data to CCR or EXR. Although CCR and EXR are 8-bit registers, word-size transfers are performed between them and memory. The upper 8 bits are valid.
	STC	B/W	CCR → (EAd), EXR → (EAd) Transfers CCR or EXR contents to a general register or memory. Although CCR and EXR are 8-bit registers, word-size transfers are performed between them and memory. The upper 8 bits are valid.
	ANDC	B	CCR ∧ #IMM → CCR, EXR ∧ #IMM → EXR Logically ANDs the CCR or EXR contents with immediate data.
	ORC	B	CCR ∨ #IMM → CCR, EXR ∨ #IMM → EXR Logically ORs the CCR or EXR contents with immediate data.
	XORC	B	CCR ⊕ #IMM → CCR, EXR ⊕ #IMM → EXR Logically exclusive-ORs the CCR or EXR contents with immediate data.
NOP	—	PC + 2 → PC Only increments the program counter.	

Type	Instruction	Size* <sup>1</sup>	Function
Block data transfer instruction	EEPMOV.B	—	if R4L ≠ 0 then Repeat @ER5+ → @ER6+ R4L-1 → R4L Until R4L = 0 else next;
	EEPMOV.W	—	if R4 ≠ 0 then Repeat @ER5+ → @ER6+ R4-1 → R4 Until R4 = 0 else next;
			Transfers a data block according to parameters set in general registers R4L or R4, ER5, and ER6.  R4L or R4: size of block (bytes) ER5: starting source address ER6: starting destination address  Execution of the next instruction begins as soon as the transfer is completed.

Notes: \*1 Size refers to the operand size.

B: Byte

W: Word

L: Longword

\*2 Only register ER0, ER1, ER4, or ER5 should be used when using the TAS instruction.

#### 2.6.4 Basic Instruction Formats

The H8S/2626 Series and H8S/2623 Series instructions consist of 2-byte (1-word) units. An instruction consists of an operation field (op field), a register field (r field), an effective address extension (EA field), and a condition field (cc).

(1) **Operation Field:** Indicates the function of the instruction, the addressing mode, and the operation to be carried out on the operand. The operation field always includes the first four bits of the instruction. Some instructions have two operation fields.

(2) **Register Field:** Specifies a general register. Address registers are specified by 3 bits, data registers by 3 bits or 4 bits. Some instructions have two register fields. Some have no register field.

(3) **Effective Address Extension:** Eight, 16, or 32 bits specifying immediate data, an absolute address, or a displacement.

(4) **Condition Field:** Specifies the branching condition of Bcc instructions.

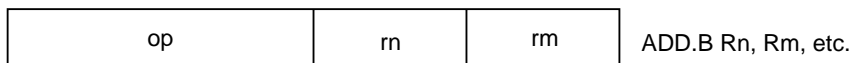


Figure 2-12 shows examples of instruction formats.

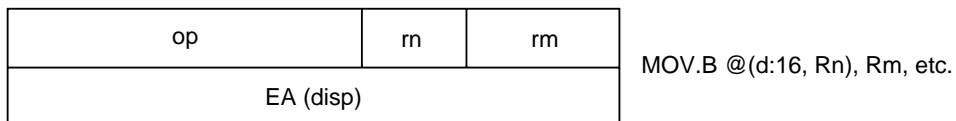
(1) Operation field only



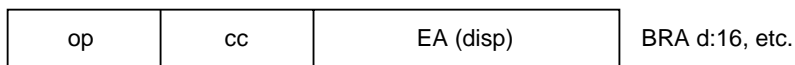
(2) Operation field and register fields



(3) Operation field, register fields, and effective address extension



(4) Operation field, effective address extension, and condition field



**Figure 2-12 Instruction Formats (Examples)**

## 2.7 Addressing Modes and Effective Address Calculation

### 2.7.1 Addressing Mode

The CPU supports the eight addressing modes listed in table 2-4. Each instruction uses a subset of these addressing modes. Arithmetic and logic instructions can use the register direct and immediate modes. Data transfer instructions can use all addressing modes except program-counter relative and memory indirect. Bit manipulation instructions use register direct, register indirect, or absolute addressing mode to specify an operand, and register direct (BSET, BCLR, BNOT, and BTST instructions) or immediate (3-bit) addressing mode to specify a bit number in the operand.

**Table 2-4 Addressing Modes**

No.	Addressing Mode	Symbol
1	Register direct	Rn
2	Register indirect	@ERn
3	Register indirect with displacement	@(d:16,ERn)/@(d:32,ERn)
4	Register indirect with post-increment Register indirect with pre-decrement	@ERn+ @-ERn
5	Absolute address	@aa:8/@aa:16/@aa:24/@aa:32
6	Immediate	#xx:8/#xx:16/#xx:32
7	Program-counter relative	@(d:8,PC)/@(d:16,PC)
8	Memory indirect	@@aa:8

(1) **Register Direct**—**Rn**: The register field of the instruction specifies an 8-, 16-, or 32-bit general register containing the operand. R0H to R7H and R0L to R7L can be specified as 8-bit registers. R0 to R7 and E0 to E7 can be specified as 16-bit registers. ER0 to ER7 can be specified as 32-bit registers.

(2) **Register Indirect**—**@ERn**: The register field of the instruction code specifies an address register (ERn) which contains the address of the operand on memory. If the address is a program instruction address, the lower 24 bits are valid and the upper 8 bits are all assumed to be 0 (H'00).

(3) **Register Indirect with Displacement**—**@(d:16, ERn)** or **@(d:32, ERn)**: A 16-bit or 32-bit displacement contained in the instruction is added to an address register (ERn) specified by the register field of the instruction, and the sum gives the address of a memory operand. A 16-bit displacement is sign-extended when added.

#### (4) Register Indirect with Post-Increment or Pre-Decrement—@ERn+ or @-ERn:

- Register indirect with post-increment—@ERn+

The register field of the instruction code specifies an address register (ERn) which contains the address of a memory operand. After the operand is accessed, 1, 2, or 4 is added to the address register contents and the sum is stored in the address register. The value added is 1 for byte access, 2 for word transfer instruction, or 4 for longword transfer instruction. For word or longword transfer instruction, the register value should be even.

- Register indirect with pre-decrement—@-ERn

The value 1, 2, or 4 is subtracted from an address register (ERn) specified by the register field in the instruction code, and the result becomes the address of a memory operand. The result is also stored in the address register. The value subtracted is 1 for byte access, 2 for word transfer instruction, or 4 for longword transfer instruction. For word or longword transfer instruction, the register value should be even.

**(5) Absolute Address—@aa:8, @aa:16, @aa:24, or @aa:32:** The instruction code contains the absolute address of a memory operand. The absolute address may be 8 bits long (@aa:8), 16 bits long (@aa:16), 24 bits long (@aa:24), or 32 bits long (@aa:32).

To access data, the absolute address should be 8 bits (@aa:8), 16 bits (@aa:16), or 32 bits (@aa:32) long. For an 8-bit absolute address, the upper 24 bits are all assumed to be 1 (H'FFFF). For a 16-bit absolute address the upper 16 bits are a sign extension. A 32-bit absolute address can access the entire address space.

A 24-bit absolute address (@aa:24) indicates the address of a program instruction. The upper 8 bits are all assumed to be 0 (H'00).

Table 2-5 indicates the accessible absolute address ranges.

**Table 2-5 Absolute Address Access Ranges**

Absolute Address		Normal Mode*	Advanced Mode
Data address	8 bits (@aa:8)	H'FF00 to H'FFFF	H'FFFF00 to H'FFFFFFF
	16 bits (@aa:16)	H'0000 to H'FFFF	H'000000 to H'007FFF, H'FF8000 to H'FFFFFFF
	32 bits (@aa:32)		H'000000 to H'FFFFFFF
Program instruction address	24 bits (@aa:24)		

Note: \* Not available in the H8S/2626 Series or H8S/2623 Series.

**(6) Immediate—#xx:8, #xx:16, or #xx:32:** The instruction contains 8-bit (#xx:8), 16-bit (#xx:16), or 32-bit (#xx:32) immediate data as an operand.

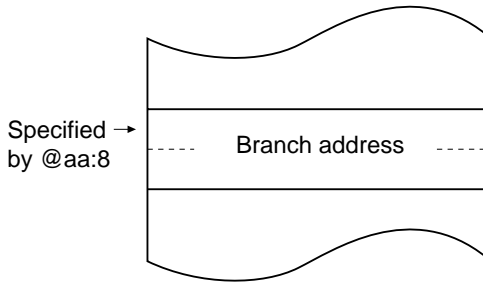
The ADDS, SUBS, INC, and DEC instructions contain immediate data implicitly. Some bit manipulation instructions contain 3-bit immediate data in the instruction code, specifying a bit number. The TRAPA instruction contains 2-bit immediate data in its instruction code, specifying a vector address.

**(7) Program-Counter Relative—@(d:8, PC) or @(d:16, PC):** This mode is used in the Bcc and BSR instructions. An 8-bit or 16-bit displacement contained in the instruction is sign-extended and added to the 24-bit PC contents to generate a branch address. Only the lower 24 bits of this branch address are valid; the upper 8 bits are all assumed to be 0 (H'00). The PC value to which the displacement is added is the address of the first byte of the next instruction, so the possible branching range is -126 to +128 bytes (-63 to +64 words) or -32766 to +32768 bytes (-16383 to +16384 words) from the branch instruction. The resulting value should be an even number.

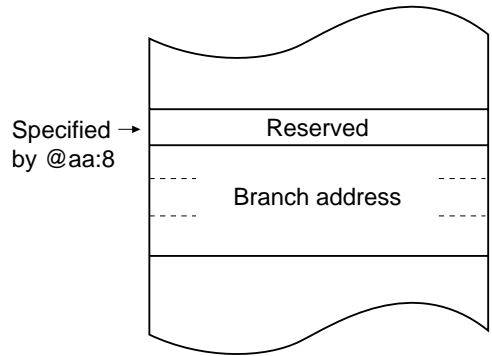
**(8) Memory Indirect—@@aa:8:** This mode can be used by the JMP and JSR instructions. The instruction code contains an 8-bit absolute address specifying a memory operand. This memory operand contains a branch address. The upper bits of the absolute address are all assumed to be 0, so the address range is 0 to 255 (H'0000 to H'00FF in normal mode, H'000000 to H'0000FF in advanced mode). In normal mode\* the memory operand is a word operand and the branch address is 16 bits long. In advanced mode the memory operand is a longword operand, the first byte of which is assumed to be all 0 (H'00).

Note that the first part of the address range is also the exception vector area. For further details, refer to section 4, Exception Handling.

Note: \* Not available in the H8S/2626 Series or H8S/2623 Series.



**(a) Normal Mode\***



**(b) Advanced Mode**

Note: \* Not available in the H8S/2626 Series or H8S/2623 Series.

**Figure 2-13 Branch Address Specification in Memory Indirect Mode**





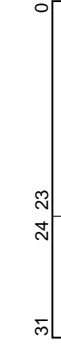

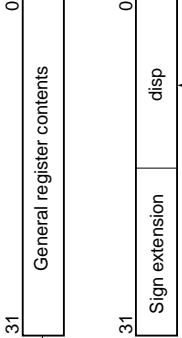
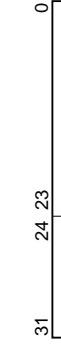

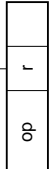
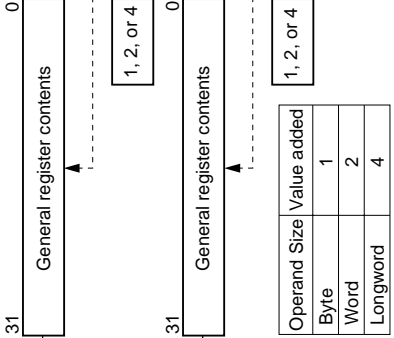
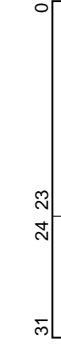
If an odd address is specified in word or longword memory access, or as a branch address, the least significant bit is regarded as 0, causing data to be accessed or instruction code to be fetched at the address preceding the specified address. (For further information, see section 2.5.2, Memory Data Formats.)

### 2.7.2 Effective Address Calculation

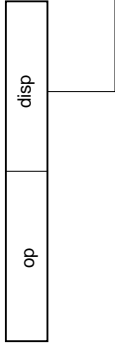
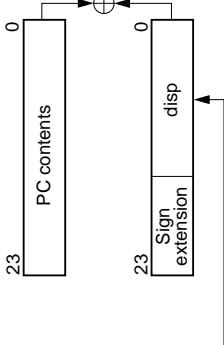



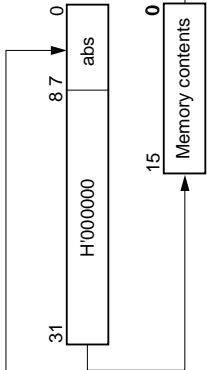
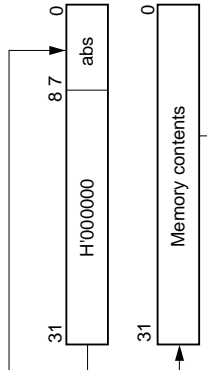


Table 2-6 indicates how effective addresses are calculated in each addressing mode. In normal mode\* the upper 8 bits of the effective address are ignored in order to generate a 16-bit address.

Note: \* Cannot be set in the H8S/2626 Series or H8S/2623 Series.

**Table 2-6 Effective Address Calculation**

No.	Addressing Mode and Instruction Format	Effective Address Calculation	Effective Address (EA)
1	Register direct (Rn) 		Operand is general register contents. 
2	Register indirect (@ERn) 		
3	Register indirect with displacement @(d:16, ERn) or @(d:32, ERn) 		
4	Register indirect with post-increment or pre-decrement • Register indirect with post-increment @ERn+  • Register indirect with pre-decrement @-ERn 		

No.	Addressing Mode and Instruction Format	Effective Address Calculation	Effective Address (EA)
5	Absolute address @aa:8 <div style="display: flex; border: 1px solid black; padding: 2px;"> <div style="border-right: 1px solid black; padding: 2px 5px;">op</div> <div style="padding: 2px 5px;">abs</div> </div> @aa:16 <div style="display: flex; border: 1px solid black; padding: 2px;"> <div style="border-right: 1px solid black; padding: 2px 5px;">op</div> <div style="padding: 2px 5px;">abs</div> </div> @aa:24 <div style="display: flex; border: 1px solid black; padding: 2px;"> <div style="border-right: 1px solid black; padding: 2px 5px;">op</div> <div style="padding: 2px 5px;">abs</div> </div> @aa:32 <div style="display: flex; border: 1px solid black; padding: 2px;"> <div style="border-right: 1px solid black; padding: 2px 5px;">op</div> <div style="padding: 2px 5px;">abs</div> </div>		<div style="display: flex; border: 1px solid black; padding: 2px;"> <div style="border-right: 1px solid black; padding: 2px 5px;">31</div> <div style="border-right: 1px solid black; padding: 2px 5px;">24</div> <div style="border-right: 1px solid black; padding: 2px 5px;">23</div> <div style="border-right: 1px solid black; padding: 2px 5px;">8</div> <div style="border-right: 1px solid black; padding: 2px 5px;">7</div> <div style="padding: 2px 5px;">0</div> </div> <div style="text-align: center; margin: 2px 0;">H'FFFF</div> <div style="display: flex; border: 1px solid black; padding: 2px;"> <div style="border-right: 1px solid black; padding: 2px 5px;">31</div> <div style="border-right: 1px solid black; padding: 2px 5px;">24</div> <div style="border-right: 1px solid black; padding: 2px 5px;">23</div> <div style="border-right: 1px solid black; padding: 2px 5px;">16</div> <div style="border-right: 1px solid black; padding: 2px 5px;">15</div> <div style="padding: 2px 5px;">0</div> </div> <div style="text-align: center; margin: 2px 0;">Sign extension</div> <div style="display: flex; border: 1px solid black; padding: 2px;"> <div style="border-right: 1px solid black; padding: 2px 5px;">31</div> <div style="border-right: 1px solid black; padding: 2px 5px;">24</div> <div style="border-right: 1px solid black; padding: 2px 5px;">23</div> <div style="border-right: 1px solid black; padding: 2px 5px;">0</div> </div> <div style="text-align: center; margin: 2px 0;">Don't care</div> <div style="display: flex; border: 1px solid black; padding: 2px;"> <div style="border-right: 1px solid black; padding: 2px 5px;">31</div> <div style="border-right: 1px solid black; padding: 2px 5px;">24</div> <div style="border-right: 1px solid black; padding: 2px 5px;">23</div> <div style="padding: 2px 5px;">0</div> </div> <div style="text-align: center; margin: 2px 0;">Don't care</div>
6	Immediate #xx:8/#xx:16/#xx:32 <div style="display: flex; border: 1px solid black; padding: 2px;"> <div style="border-right: 1px solid black; padding: 2px 5px;">op</div> <div style="padding: 2px 5px;">IMM</div> </div>		Operand is immediate data.

No.	Addressing Mode and Instruction Format	Effective Address Calculation	Effective Address (EA)
7	<p>Program-counter relative @ (d:8, PC) / @ (d:16, PC)</p> 		
8	<p>Memory indirect @ @aa:8</p> <ul style="list-style-type: none"> <li>• Normal mode*</li> </ul>  <ul style="list-style-type: none"> <li>• Advanced mode</li> </ul> 	 	 

Note: \* Not available in the H8S/2626 Series or H8S/2623 Series.



## 2.8 Processing States

### 2.8.1 Overview

The CPU has five main processing states: the reset state, exception handling state, program execution state, bus-released state, and power-down state. Figure 2-14 shows a diagram of the processing states. Figure 2-15 indicates the state transitions.

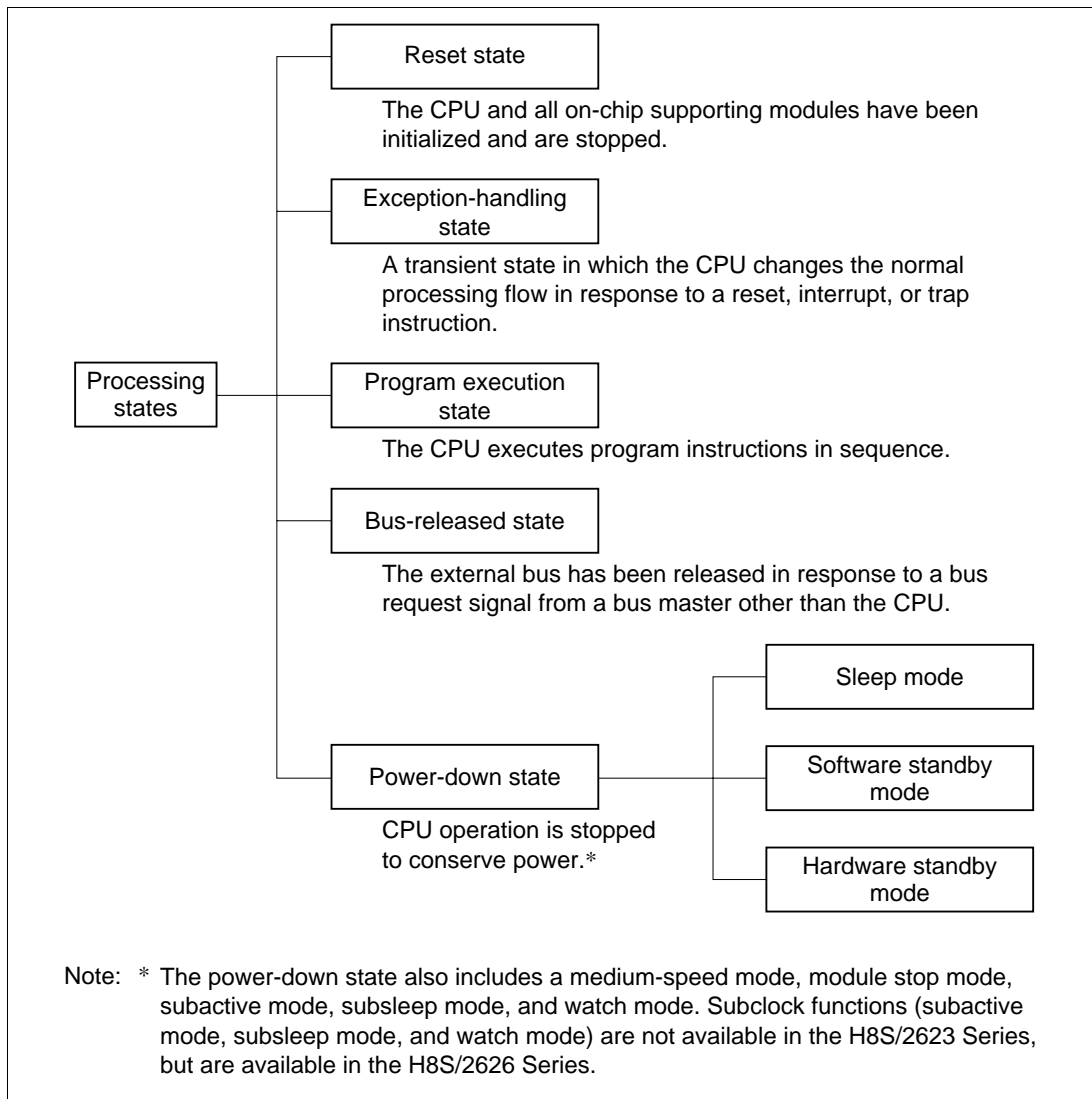
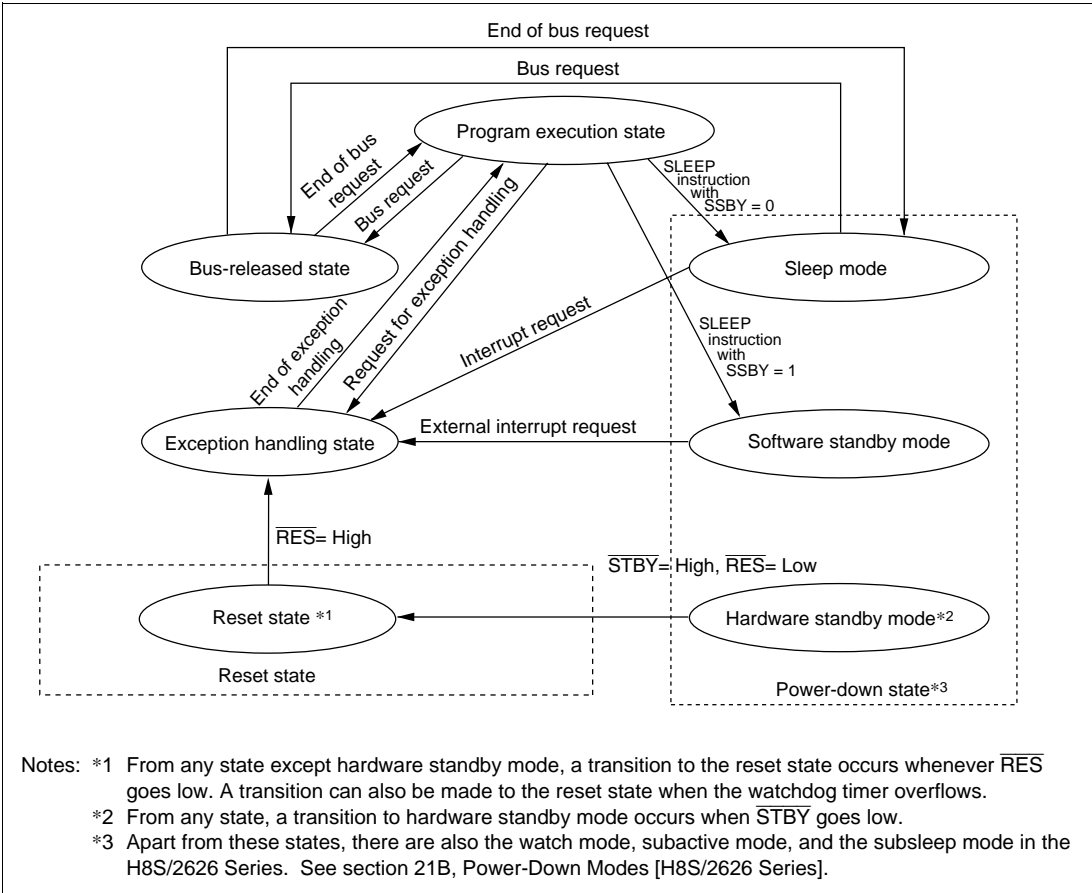


Figure 2-14 Processing States



**Figure 2-15 State Transitions**

## 2.8.2 Reset State

When the  $\overline{RES}$  input goes low all current processing stops and the CPU enters the reset state. All interrupts are masked in the reset state. Reset exception handling starts when the  $\overline{RES}$  signal changes from low to high.

The reset state can also be entered by a watchdog timer overflow. For details, refer to section 12, Watchdog Timer.

## 2.8.3 Exception-Handling State

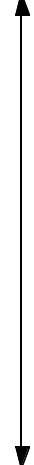
The exception-handling state is a transient state that occurs when the CPU alters the normal processing flow due to a reset, interrupt, or trap instruction. The CPU fetches a start address (vector) from the exception vector table and branches to that address.

### (1) Types of Exception Handling and Their Priority

Exception handling is performed for traces, resets, interrupts, and trap instructions. Table 2-7 indicates the types of exception handling and their priority. Trap instruction exception handling is always accepted, in the program execution state.

Exception handling and the stack structure depend on the interrupt control mode set in SYSCR.

**Table 2-7 Exception Handling Types and Priority**

Priority	Type of Exception	Detection Timing	Start of Exception Handling
High  Low	Reset	Synchronized with clock	Exception handling starts immediately after a low-to-high transition at the $\overline{\text{RES}}$ pin, or when the watchdog timer overflows.
	Trace	End of instruction execution or end of exception-handling sequence* <sup>1</sup>	When the trace (T) bit is set to 1, the trace starts at the end of the current instruction or current exception-handling sequence
	Interrupt	End of instruction execution or end of exception-handling sequence* <sup>2</sup>	When an interrupt is requested, exception handling starts at the end of the current instruction or current exception-handling sequence
	Trap instruction	When TRAPA instruction is executed	Exception handling starts when a trap (TRAPA) instruction is executed* <sup>3</sup>

Notes: \*1 Traces are enabled only in interrupt control mode 2. Trace exception-handling is not executed at the end of the RTE instruction.

\*2 Interrupts are not detected at the end of the ANDC, ORC, XORC, and LDC instructions, or immediately after reset exception handling.

\*3 Trap instruction exception handling is always accepted, in the program execution state.

## (2) Reset Exception Handling

After the  $\overline{\text{RES}}$  pin has gone low and the reset state has been entered, when  $\overline{\text{RES}}$  pin goes high again, reset exception handling starts. The CPU enters the reset state when the  $\overline{\text{RES}}$  is low. When reset exception handling starts the CPU fetches a start address (vector) from the exception vector table and starts program execution from that address. All interrupts, including NMI, are disabled during reset exception handling and after it ends.

## (3) Traces

Traces are enabled only in interrupt control mode 2. Trace mode is entered when the T bit of EXR is set to 1. When trace mode is established, trace exception handling starts at the end of each instruction.

At the end of a trace exception-handling sequence, the T bit of EXR is cleared to 0 and trace mode is cleared. Interrupt masks are not affected.

The T bit saved on the stack retains its value of 1, and when the RTE instruction is executed to return from the trace exception-handling routine, trace mode is entered again. Trace exception-handling is not executed at the end of the RTE instruction.

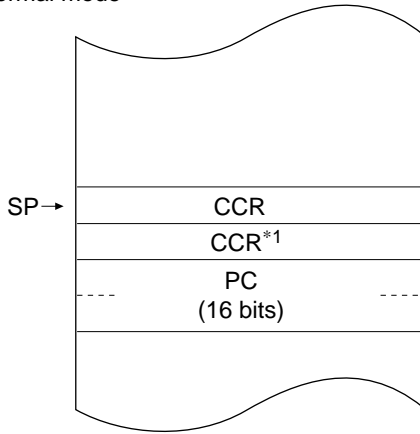
Trace mode is not entered in interrupt control mode 0, regardless of the state of the T bit.

## (4) Interrupt Exception Handling and Trap Instruction Exception Handling

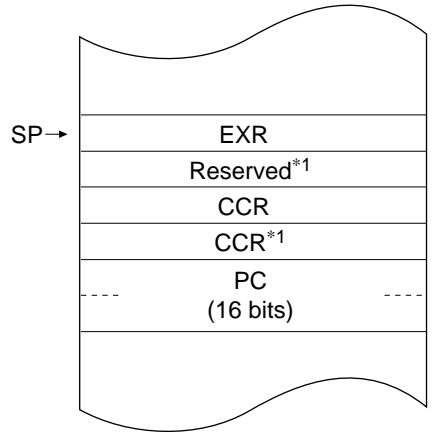
When interrupt or trap-instruction exception handling begins, the CPU references the stack pointer (ER7) and pushes the program counter and other control registers onto the stack. Next, the CPU alters the settings of the interrupt mask bits in the control registers. Then the CPU fetches a start address (vector) from the exception vector table and program execution starts from that start address.

Figure 2-16 shows the stack after exception handling ends.

Normal mode\*2

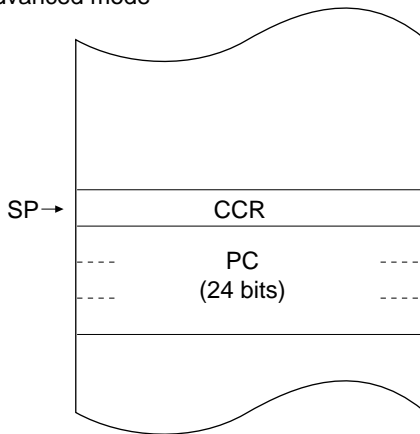


(a) Interrupt control mode 0

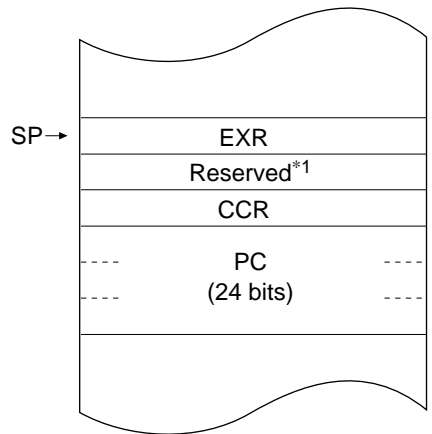


(b) Interrupt control mode 2

Advanced mode



(c) Interrupt control mode 0



(d) Interrupt control mode 2

Notes: \*1 Ignored when returning.

\*2 Not available in the H8S/2626 Series or H8S/2623 Series.

Figure 2-16 Stack Structure after Exception Handling (Examples)

## 2.8.4 Program Execution State

In this state the CPU executes program instructions in sequence.

## 2.8.5 Bus-Released State

This is a state in which the bus has been released in response to a bus request from a bus master other than the CPU. While the bus is released, the CPU halts operations.

Bus masters other than the CPU are data transfer controller (DTC).

For further details, refer to section 7, Bus Controller.

## 2.8.6 Power-Down State

The power-down state includes both modes in which the CPU stops operating and modes in which the CPU does not stop. There are five modes in which the CPU stops operating: sleep mode, software standby mode, hardware standby mode, subsleep mode\*, and watch mode\*. There are also three other power-down modes: medium-speed mode, module stop mode, and subactive mode\*. In medium-speed mode the CPU and other bus masters operate on a medium-speed clock. Module stop mode permits halting of the operation of individual modules, other than the CPU. Subactive mode\*, subsleep mode\*, and watch mode\* are power-down states using subclock input. For details, refer to section 21B, Power-Down Modes [H8S/2626 Series].

Note: \* Supported only in the H8S/2626 Series; not available in the H8S/2623 Series.

## 2.9 Basic Timing

### 2.9.1 Overview

The H8S/2600 CPU is driven by a system clock, denoted by the symbol  $\phi$ . The period from one rising edge of  $\phi$  to the next is referred to as a "state." The memory cycle or bus cycle consists of one, two, or three states. Different methods are used to access on-chip memory, on-chip supporting modules, and the external address space.

### 2.9.2 On-Chip Memory (ROM, RAM)

On-chip memory is accessed in one state. The data bus is 16 bits wide, permitting both byte and word transfer instruction. Figure 2-17 shows the on-chip memory access cycle. Figure 2-18 shows the pin states.

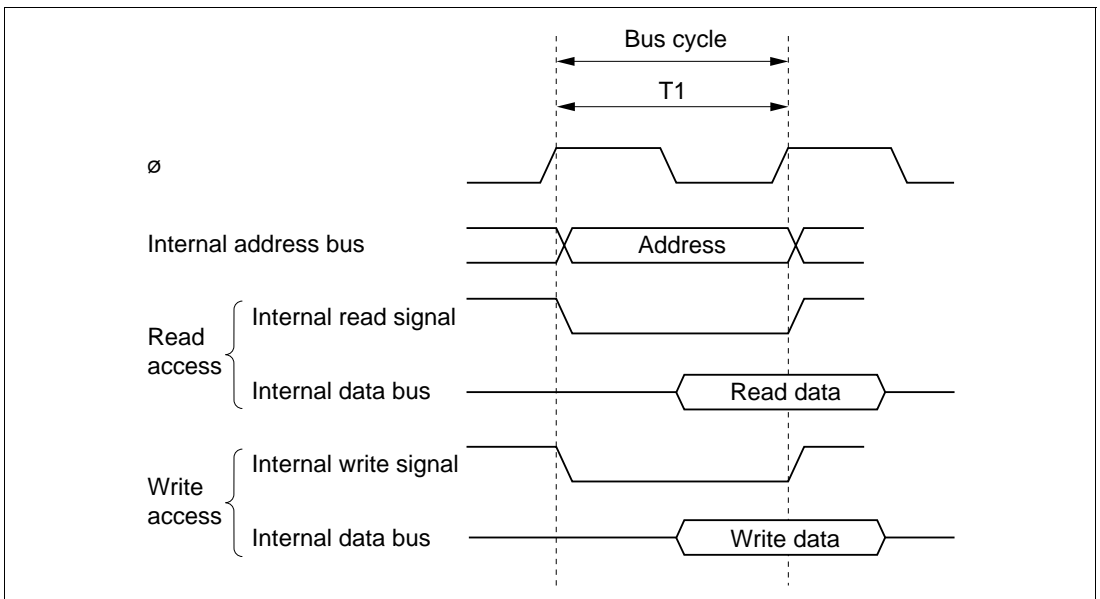
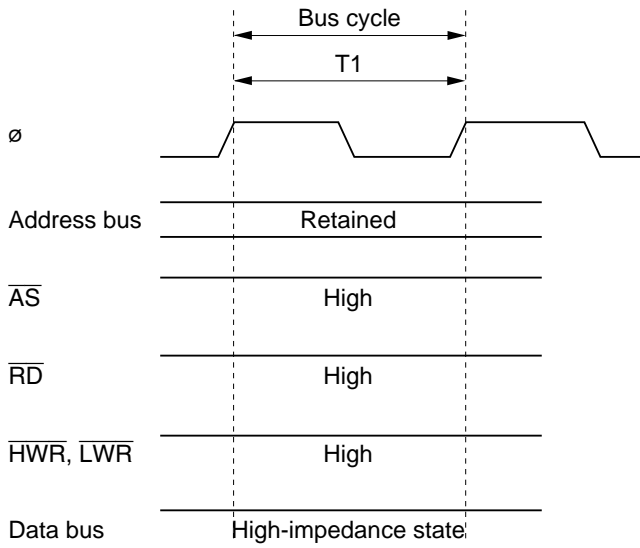


Figure 2-17 On-Chip Memory Access Cycle

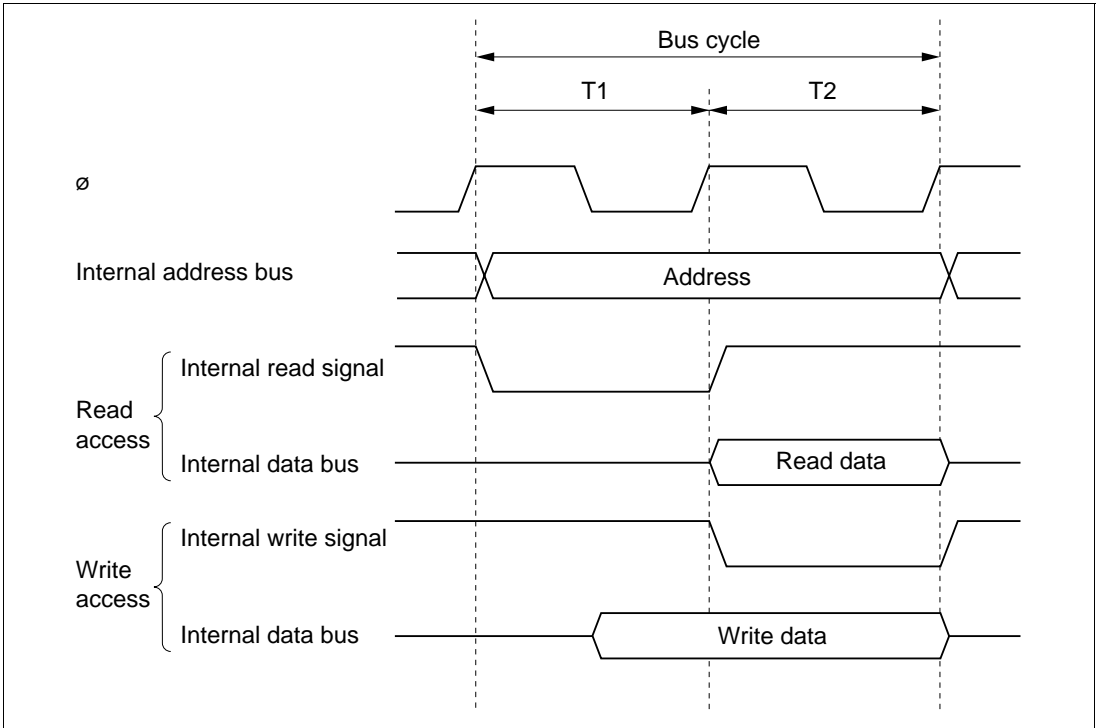


**Figure 2-18 Pin States during On-Chip Memory Access**

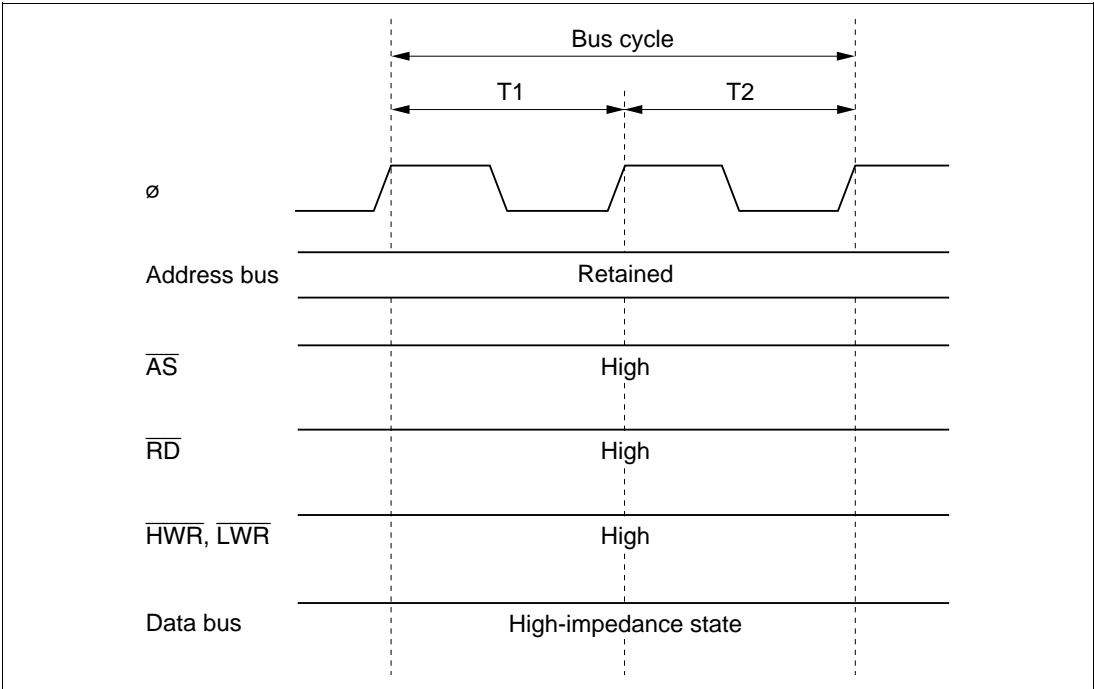


### 2.9.3 On-Chip Supporting Module Access Timing

The on-chip supporting modules are accessed in two states. The data bus is either 8 bits or 16 bits wide, depending on the particular internal I/O register being accessed. Figure 2-19 shows the access timing for the on-chip supporting modules. Figure 2-20 shows the pin states.



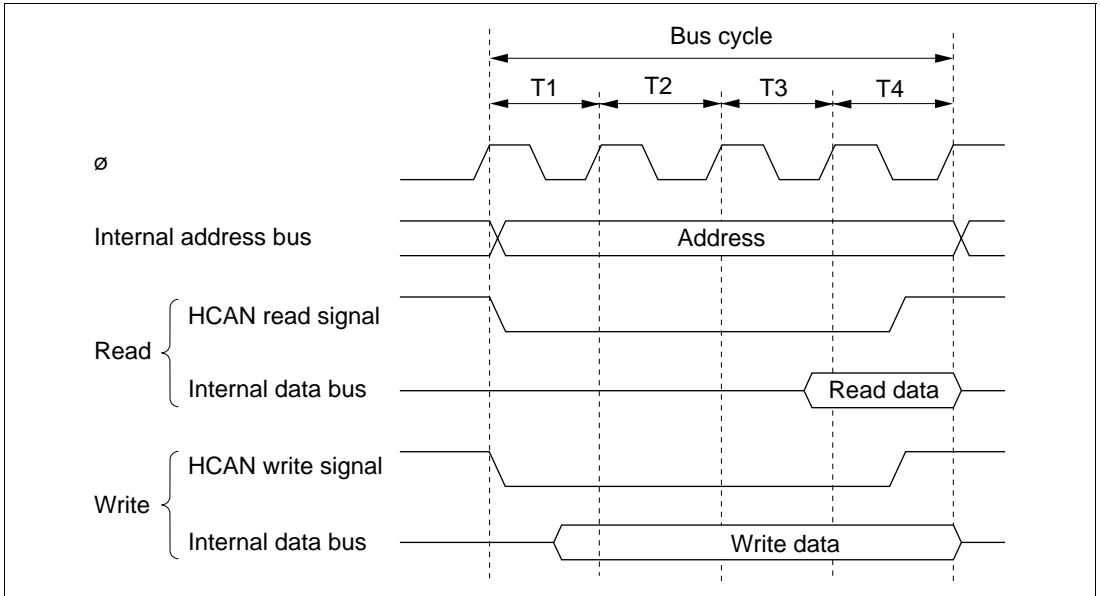
**Figure 2-19 On-Chip Supporting Module Access Cycle**



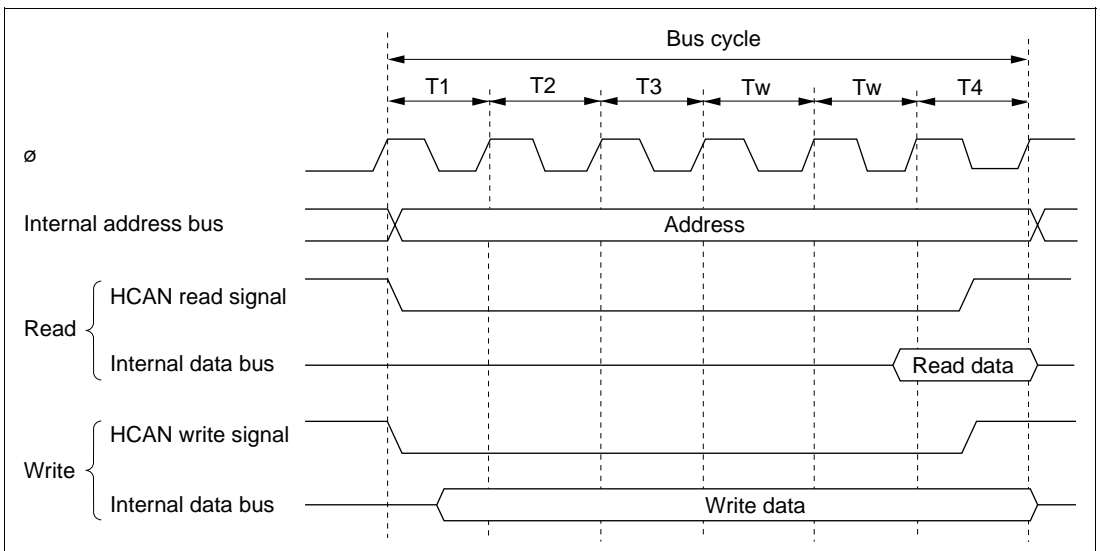
**Figure 2-20 Pin States during On-Chip Supporting Module Access Cycle**

## 2.9.4 On-Chip HCAN Module Access Timing

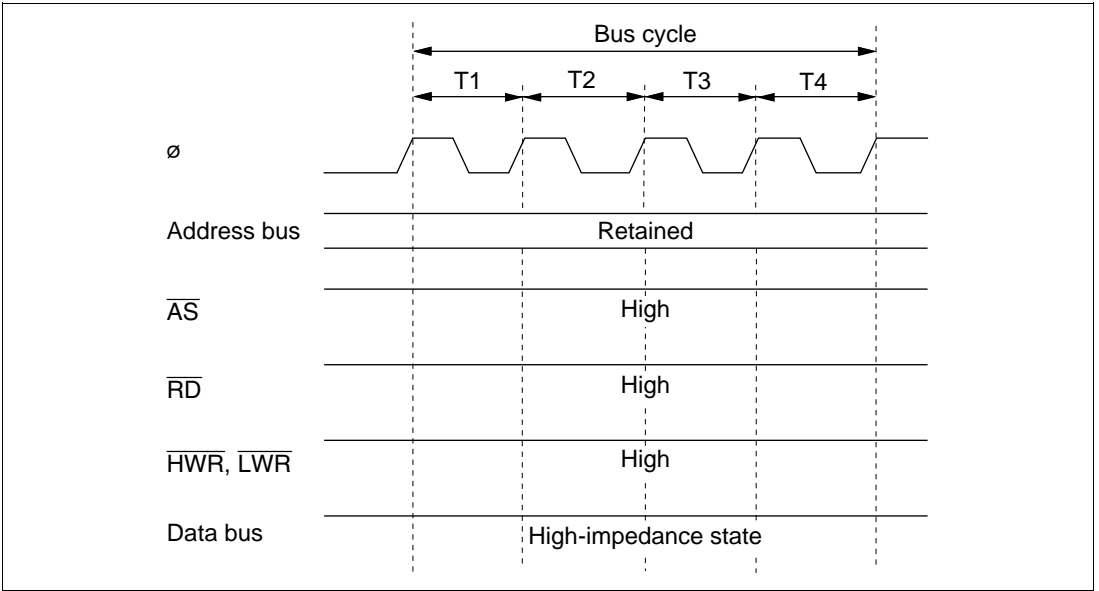
On-chip HCAN module access is performed in four states. The data bus width is 16 bits. Wait states can be inserted by means of a wait request from the HCAN. On-chip HCAN module access timing is shown in figures 2-21 and 2-22, and the pin states in figure 2-23.



**Figure 2-21 On-Chip HCAN Module Access Cycle (No Wait State)**



**Figure 2-22 On-Chip HCAN Module Access Cycle (Wait States Inserted)**



**Figure 2-23 Pin States in On-Chip HCAN Module Access**

## 2.9.5 External Address Space Access Timing

The external address space is accessed with an 8-bit or 16-bit data bus width in a two-state or three-state bus cycle. In three-state access, wait states can be inserted. For further details, refer to section 7, Bus Controller.

## 2.10 Usage Note

### 2.10.1 TAS Instruction

Only register ER0, ER1, ER4, or ER5 should be used when using the TAS instruction. The TAS instruction is not generated by the Hitachi H8S and H8/300 series C/C++ compilers. If the TAS instruction is used as a user-defined intrinsic function, ensure that only register ER0, ER1, ER4, or ER5 is used.

# Section 3 MCU Operating Modes

## 3.1 Overview

### 3.1.1 Operating Mode Selection

The H8S/2626 Series and H8S/2623 Series have four operating modes (modes 4 to 7). These modes enable selection of the CPU operating mode, enabling/disabling of on-chip ROM, and the initial bus width setting, by setting the mode pins (MD2 to MD0).

Table 3-1 lists the MCU operating modes.

**Table 3-1 MCU Operating Mode Selection**

MCU Operating Mode	MD2	MD1	MD0	CPU Operating Mode	Description	External Data Bus		
						On-Chip ROM	Initial Width	Max. Width
0*	0	0	0	—	—	—	—	
1*			1	—				
2*		1	0					
3*			1					
4	1	0	0	Advanced	On-chip ROM disabled, Disabled expanded mode	16 bits	16 bits	
5			1			8 bits	16 bits	
6		1	0		On-chip ROM enabled, Enabled expanded mode	8 bits	16 bits	
7			1		Single-chip mode	—		

Note: \* Not available in the H8S/2626 Series or H8S/2623 Series.

The CPU's architecture allows for 4 Gbytes of address space, but the H8S/2626 Series and H8S/2623 Series actually access a maximum of 16 Mbytes.

Modes 4 to 6 are externally expanded modes that allow access to external memory and peripheral devices.

The external expansion modes allow switching between 8-bit and 16-bit bus modes. After program execution starts, an 8-bit or 16-bit address space can be set for each area, depending on the bus controller setting. If 16-bit access is selected for any one area, 16-bit bus mode is set; if 8-bit access is selected for all areas, 8-bit bus mode is set.

Note that the functions of each pin depend on the operating mode.

The H8S/2626 Series and H8S/2623 Series can be used only in modes 4 to 7. This means that the mode pins must be set to select one of these modes. Do not change the inputs at the mode pins during operation.

### 3.1.2 Register Configuration

The H8S/2626 Series and H8S/2623 Series have a mode control register (MDCR) that indicates the inputs at the mode pins (MD2 to MD0), and a system control register (SYSCR) that controls the operation of the H8S/2626 Series or H8S/2623 Series chip. Table 3-2 summarizes these registers.

**Table 3-2 MCU Registers**

Name	Abbreviation	R/W	Initial Value	Address*
Mode control register	MDCR	R/W	Undetermined	H'FDE7
System control register	SYSCR	R/W	H'01	H'FDE5
Pin function control register	PFCR	R/W	H'0D/H'00	H'FDEB

Note: \* Lower 16 bits of the address.

## 3.2 Register Descriptions

### 3.2.1 Mode Control Register (MDCR)

Bit	:	7	6	5	4	3	2	1	0
		—	—	—	—	—	MDS2	MDS1	MDS0
Initial value	:	1	0	0	0	0	—*	—*	—*
R/W	:	R/W	—	—	—	—	R	R	R

Note: \* Determined by pins MD2 to MD0.

MDCR is an 8-bit register that indicates the current operating mode of the H8S/2626 Series or H8S/2623 Series chip.

**Bit 7—Reserved:** Only 1 should be written to this bit.

**Bits 6 to 3—Reserved:** These bits are always read as 0 and cannot be modified.

**Bits 2 to 0—Mode Select 2 to 0 (MDS2 to MDS0):** These bits indicate the input levels at pins MD2 to MD0 (the current operating mode). Bits MDS2 to MDS0 correspond to MD2 to MD0. MDS2 to MDS0 are read-only bits—they cannot be written to. The mode pin (MD2 to MD0) input levels are latched into these bits when MDCR is read. These latches are canceled by a reset.

### 3.2.2 System Control Register (SYSCR)

Bit	:	7	6	5	4	3	2	1	0
		MACS	—	INTM1	INTM0	NMIEG	—	—	RAME
Initial value :		0	0	0	0	0	0	0	1
R/W	:	R/W	—	R/W	R/W	R/W	R/W	—	R/W

SYSCR is an 8-bit readable/writable register that selects saturating or non-saturating calculation for the MAC instruction, selects the interrupt control mode and the detected edge for NMI, and enables or disables on-chip RAM.

SYSCR is initialized to H'01 by a reset and in hardware standby mode. SYSCR is not initialized in software standby mode.

**Bit 7—MAC Saturation (MACS):** Selects either saturating or non-saturating calculation for the MAC instruction.

#### Bit 7

MACS	Description
0	Non-saturating calculation for MAC instruction (Initial value)
1	Saturating calculation for MAC instruction

**Bit 6—Reserved:** This bit is always read as 0 and cannot be modified.

**Bits 5 and 4—Interrupt Control Mode 1 and 0 (INTM1, INTM0):** These bits select the control mode of the interrupt controller. For details of the interrupt control modes, see section 5.4.1, Interrupt Control Modes and Interrupt Operation.

Bit 5	Bit 4	Interrupt Control Mode	Description
INTM1	INTM0		
0	0	0	Control of interrupts by I bit (Initial value)
	1	—	Setting prohibited
1	0	2	Control of interrupts by I2 to I0 bits and IPR
	1	—	Setting prohibited

**Bit 3—NMI Edge Select (NMIEG):** Selects the valid edge of the NMI interrupt input.

#### Bit 3

NMIEG	Description
0	An interrupt is requested at the falling edge of NMI input (Initial value)
1	An interrupt is requested at the rising edge of NMI input

**Bit 2—Reserved:** Only 0 should be written to this bit.

**Bit 1—Reserved:** This bit is always read as 0 and cannot be modified.

**Bit 0—RAM Enable (RAME):** Enables or disables the on-chip RAM. The RAME bit is initialized when the reset status is released. It is not initialized in software standby mode.

#### Bit 0

RAME	Description
0	On-chip RAM is disabled
1	On-chip RAM is enabled (Initial value)

Note: When the DTC is used, the RAME bit must be set to 1.

### 3.2.3 Pin Function Control Register (PFCR)

Bit	:	7	6	5	4	3	2	1	0
		—	—	BUZZE	—	AE3	AE2	AE1	AE0
Initial value	:	0	0	0	0	1/0	1/0	0	1/0
R/W	:	R/W	R/W	R/W	R/W	R/W	R/W	R/W	R/W

PFCR is an 8-bit readable/writable register that performs address output control in external expanded mode.

PFCR is initialized to H'0D/H'00 by a reset and in hardware standby mode. It retains its previous state in software standby mode.

**Bits 7 to 4—Reserved:** Only 0 should be written to these bits.

**Bit 5—BUZZE Output Enable (BUZZE):** This bit is for use only in the H8S/2626. Only 0 should be written to this bit.

**Bits 3 to 0—Address Output Enable 3 to 0 (AE3 to AE0):** These bits select enabling or disabling of address outputs A8 to A23 in ROMless expanded mode and modes with ROM. When a pin is enabled for address output, the address is output regardless of the corresponding DDR



setting. When a pin is disabled for address output, it becomes an output port when the corresponding DDR bit is set to 1.

Bit 3	Bit 2	Bit 1	Bit 0	Description	
AE3	AE2	AE1	AE0		
0	0	0	0	A8–A23 address output disabled (Initial value*)	
			1	A8 address output enabled; A9–A23 address output disabled	
		1	0	A8, A9 address output enabled; A10–A23 address output disabled	
			1	A8–A10 address output enabled; A11–A23 address output disabled	
	1	0	0	A8–A11 address output enabled; A12–A23 address output disabled	
			1	A8–A12 address output enabled; A13–A23 address output disabled	
			1	A8–A13 address output enabled; A14–A23 address output disabled	
			1	A8–A14 address output enabled; A15–A23 address output disabled	
		1	0	0	A8–A15 address output enabled; A16–A23 address output disabled
				1	A8–A16 address output enabled; A17–A23 address output disabled
			1	0	A8–A17 address output enabled; A18–A23 address output disabled
				1	A8–A18 address output enabled; A19–A23 address output disabled
1	0	0	A8–A19 address output enabled; A20–A23 address output disabled		
		1	A8–A20 address output enabled; A21–A23 address output disabled (Initial value*)		
	1	0	A8–A21 address output enabled; A22, A23 address output disabled		
		1	A8–A23 address output enabled		

Note: \* In expanded mode with ROM, bits AE3 to AE0 are initialized to B'0000.

In ROMless expanded mode, bits AE3 to AE0 are initialized to B'1101.

Address pins A0 to A7 are made address outputs by setting the corresponding DDR bits to 1.

## 3.3 Operating Mode Descriptions

### 3.3.1 Mode 4

The CPU can access a 16-Mbyte address space in advanced mode. The on-chip ROM is disabled.

Ports 1, A, B, and C, function as an address bus, ports D and E function as a data bus, and part of port F carries bus control signals.

The initial bus mode after a reset is 16 bits, with 16-bit access to all areas. However, note that if 8-bit access is designated by the bus controller for all areas, the bus mode switches to 8 bits.

### 3.3.2 Mode 5

The CPU can access a 16-Mbyte address space in advanced mode. The on-chip ROM is disabled.

Ports 1, A, B, and C, function as an address bus, ports D and E function as a data bus, and part of port F carries bus control signals.

The initial bus mode after a reset is 8 bits, with 8-bit access to all areas. However, note that if 16-bit access is designated by the bus controller for any area, the bus mode switches to 16 bits and port E becomes a data bus.

### 3.3.3 Mode 6

The CPU can access a 16-Mbyte address space in advanced mode. The on-chip ROM is enabled.

Ports 1, A, B, and C, function as input port pins immediately after a reset. Address output can be performed by setting the corresponding DDR (data direction register) bits to 1.

Port D function as a data bus, and part of port F carries data bus signals.

The initial bus mode after a reset is 8 bits, with 8-bit access to all areas. However, note that if 16-bit access is designated by the bus controller for any area, the bus mode switches to 16 bits and port E becomes a data bus.

### 3.3.4 Mode 7

The CPU can access a 16-Mbyte address space in advanced mode. The on-chip ROM is enabled, but external addresses cannot be accessed.

All I/O ports are available for use as input-output ports.

### 3.4 Pin Functions in Each Operating Mode

The pin functions of ports 1 and A to F vary depending on the operating mode. Table 3-3 shows their functions in each operating mode.

**Table 3-3 Pin Functions in Each Mode**

Port		Mode 4	Mode 5	Mode 6	Mode 7
Port 1	P10	A	A	P*/A	P
	P11 to P13	P*/A	P*/A	P*/A	P
Port A	PA4 to PA0	A	A	P*/A	P
Port B		A	A	P*/A	P
Port C		A	A	P*/A	P
Port D		D	D	D	P
Port E		P/D*	P*/D	P*/D	P
Port F	PF7	P/C*	P/C*	P/C*	P*/C
	PF6 to PF4	C	C	C	P
	PF3	P/C*	P*/C	P*/C	
	PF2 to PF0	P*/C	P*/C	P*/C	

#### Legend

P: I/O port

A: Address bus output

D: Data bus I/O

C: Control signals, clock I/O

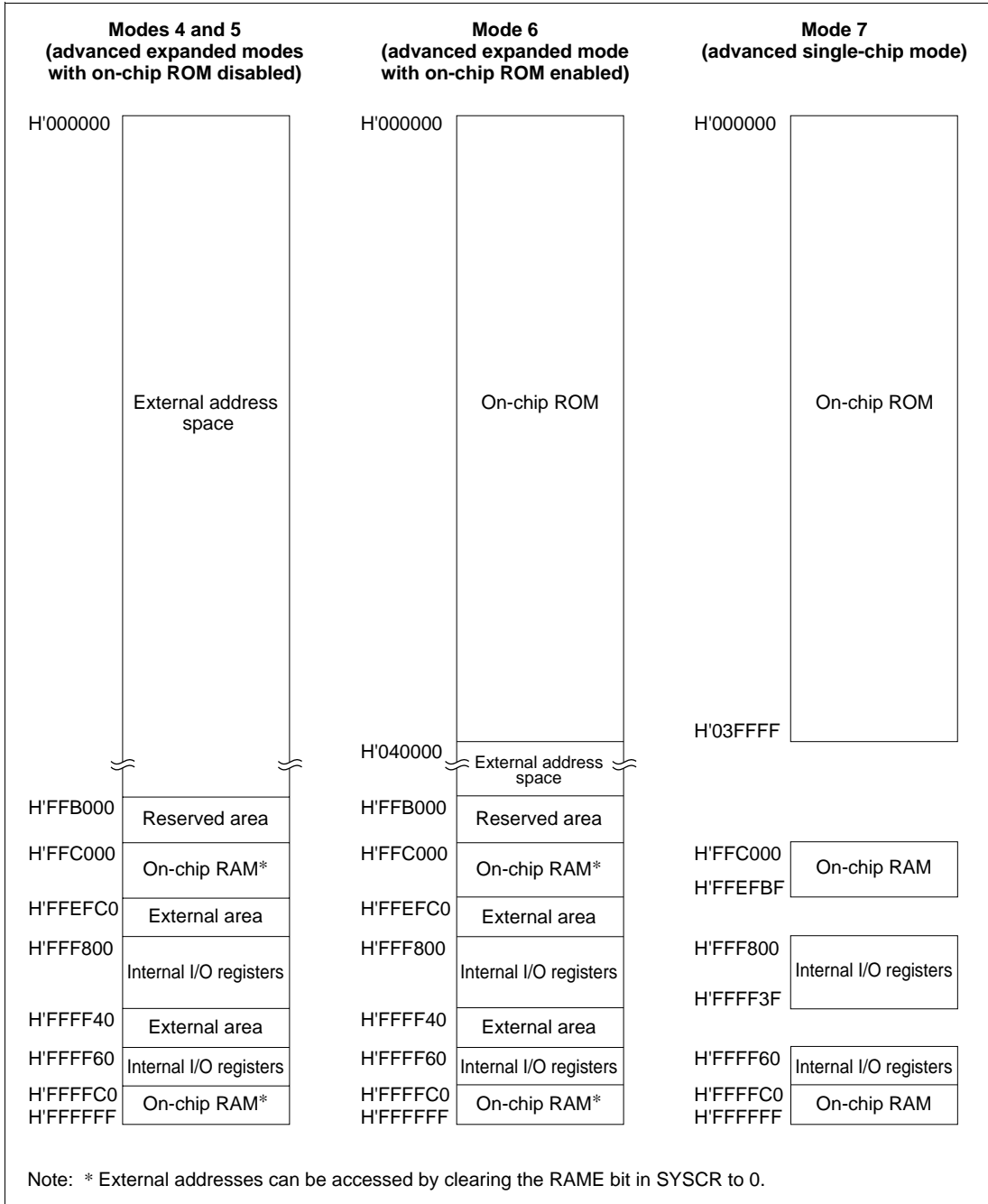
\*: After reset

### 3.5 Address Map in Each Operating Mode

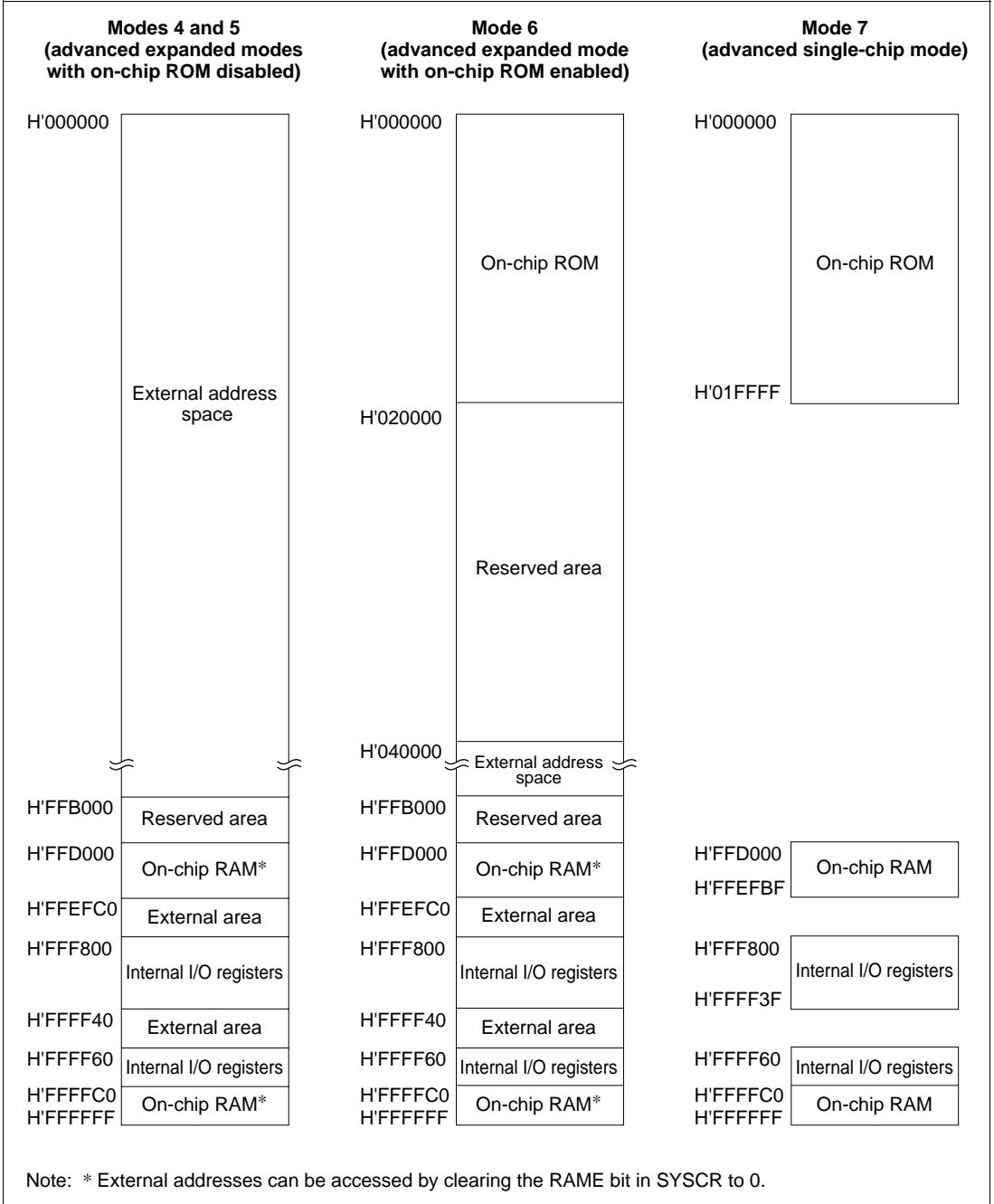
An address map of the H8S/2623 and H8S/2626 is shown in figure 3-1, and an address map of the H8S/2622, and H8S/2625 in figure 3-2, and an address map of the H8S/2621 and H8S/2624 in figure 3-3.

The address space is 16 Mbytes in modes 4 to 7 (advanced modes).

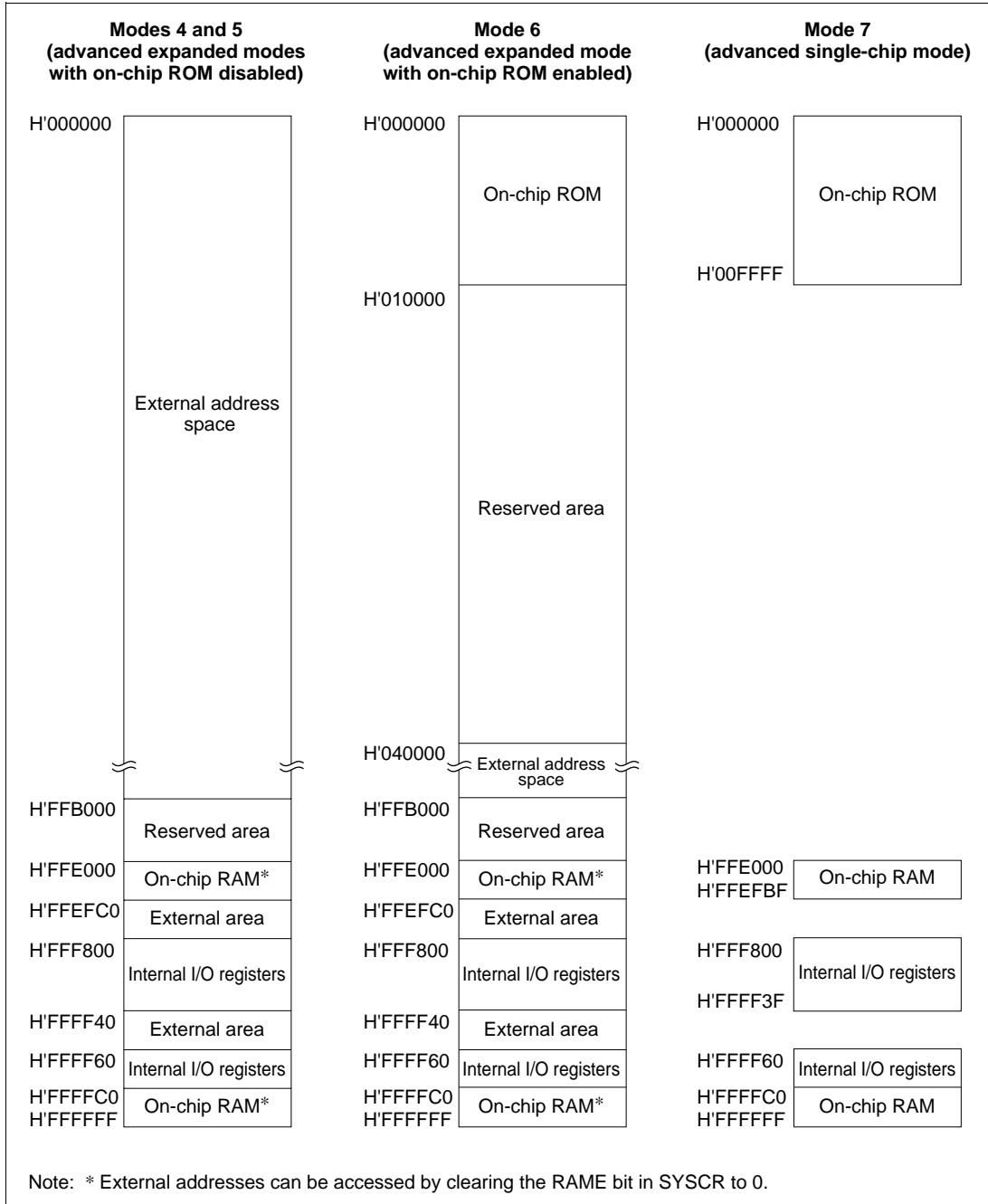
The address space is divided into eight areas for modes 4 to 7. For details, see section 7, Bus Controller.



**Figure 3-1 Memory Map in Each Operating Mode in the H8S/2623 and H8S/2626**



**Figure 3-2 Memory Map in Each Operating Mode in the H8S/2622 and H8S/2625**



**Figure 3-3 Memory Map in Each Operating Mode in the H8S/2621 and H8S/2624**

# Section 4 Exception Handling

## 4.1 Overview

### 4.1.1 Exception Handling Types and Priority

As table 4-1 indicates, exception handling may be caused by a reset, trap instruction, or interrupt. Exception handling is prioritized as shown in table 4-1. If two or more exceptions occur simultaneously, they are accepted and processed in order of priority. Trap instruction exceptions are accepted at all times, in the program execution state.

Exception handling sources, the stack structure, and the operation of the CPU vary depending on the interrupt control mode set by the INTM0 and INTM1 bits of SYSCR.

**Table 4-1 Exception Types and Priority**

Priority	Exception Type	Start of Exception Handling
High	Reset	Starts immediately after a low-to-high transition at the $\overline{RES}$ pin, or when the watchdog timer overflows. The CPU enters the reset state when the RES pin is low.
	Trace* <sup>1</sup>	Starts when execution of the current instruction or exception handling ends, if the trace (T) bit is set to 1
	Direct transition	Starts when a direction transition occurs as the result of SLEEP instruction execution.
	Interrupt	Starts when execution of the current instruction or exception handling ends, if an interrupt request has been issued* <sup>2</sup>
Low	Trap instruction (TRAPA)* <sup>3</sup>	Started by execution of a trap instruction (TRAPA)

Notes: \*1 Traces are enabled only in interrupt control mode 2. Trace exception handling is not executed after execution of an RTE instruction.

\*2 Interrupt detection is not performed on completion of ANDC, ORC, XORC, or LDC instruction execution, or on completion of reset exception handling.

\*3 Trap instruction exception handling requests are accepted at all times in program execution state.

## 4.1.2 Exception Handling Operation

Exceptions originate from various sources. Trap instructions and interrupts are handled as follows:

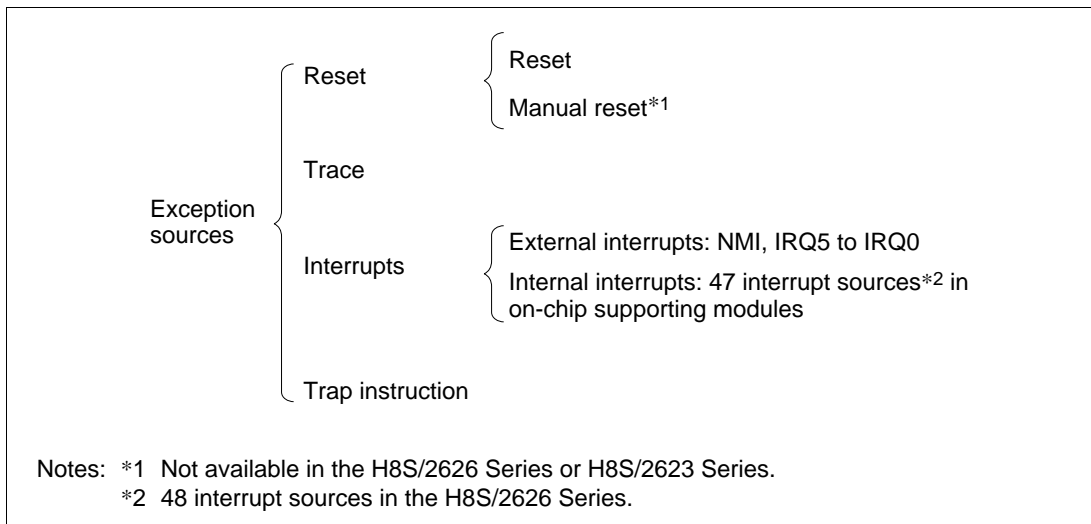
1. The program counter (PC), condition code register (CCR), and extended register (EXR) are pushed onto the stack.
2. The interrupt mask bits are updated. The T bit is cleared to 0.
3. A vector address corresponding to the exception source is generated, and program execution starts from that address.

For a reset exception, steps 2 and 3 above are carried out.

## 4.1.3 Exception Vector Table

The exception sources are classified as shown in figure 4-1. Different vector addresses are assigned to different exception sources.

Table 4-2 lists the exception sources and their vector addresses.



**Figure 4-1 Exception Sources**



**Table 4-2 Exception Vector Table**

Exception Source		Vector Number	Vector Address* <sup>1</sup>
			Advanced Mode
Reset		0	H'0000 to H'0003
Manual reset* <sup>3</sup>		1	H'0004 to H'0007
Reserved		2	H'0008 to H'000B
		3	H'000C to H'000F
		4	H'0010 to H'0013
Trace		5	H'0014 to H'0017
Direct transitions* <sup>4</sup> (H8S/2626 only)		6	H'0018 to H'001B
External interrupt	NMI	7	H'001C to H'001F
Trap instruction (4 sources)		8	H'0020 to H'0023
		9	H'0024 to H'0027
		10	H'0028 to H'002B
		11	H'002C to H'002F
Reserved		12	H'0030 to H'0033
		13	H'0034 to H'0037
		14	H'0038 to H'003B
		15	H'003C to H'003F
External interrupt	IRQ0	16	H'0040 to H'0043
	IRQ1	17	H'0044 to H'0047
	IRQ2	18	H'0048 to H'004B
	IRQ3	19	H'004C to H'004F
	IRQ4	20	H'0050 to H'0053
	IRQ5	21	H'0054 to H'0057
Reserved		22	H'0058 to H'005B
		23	H'005C to H'005F
Internal interrupt* <sup>2</sup>		24	H'0060 to H'0063
		127	H'01FC to H'01FF

Notes: \*1 Lower 16 bits of the address.

\*2 For details of internal interrupt vectors, see section 5.3.3, Interrupt Exception Handling Vector Table.

\*3 Not available in the H8S/2626 Series or H8S/2623 Series.

\*4 See section 21B.11, Direct Transitions, for details.

## 4.2 Reset

### 4.2.1 Overview

A reset has the highest exception priority.

When the  $\overline{\text{RES}}$  pin goes low, all processing halts and the H8S/2626 Series or H8S/2623 Series enters the reset state. A reset initializes the internal state of the CPU and the registers of on-chip supporting modules. Immediately after a reset, interrupt control mode 0 is set.

Reset exception handling begins when the  $\overline{\text{RES}}$  pin changes from low to high.

The chip can also be reset by overflow of the watchdog timer. For details see section 12, Watchdog Timer.

### 4.2.2 Reset Sequence

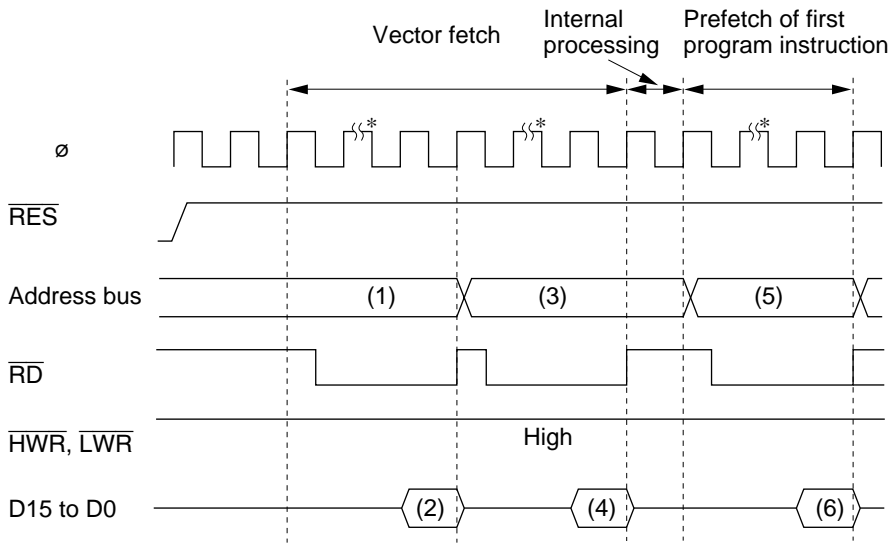
The chip enters the reset state when the  $\overline{\text{RES}}$  pin goes low.

To ensure that the chip is reset, hold the  $\overline{\text{RES}}$  pin low for at least 20 ms at power-up. To reset the chip during operation, hold the  $\overline{\text{RES}}$  pin low for at least 20 states.

When the  $\overline{\text{RES}}$  pin goes high after being held low for the necessary time, the chip starts reset exception handling as follows:

1. The internal state of the CPU and the registers of the on-chip supporting modules are initialized, the T bit is cleared to 0 in EXR, and the I bit is set to 1 in EXR and CCR.
2. The reset exception handling vector address is read and transferred to the PC, and program execution starts from the address indicated by the PC.

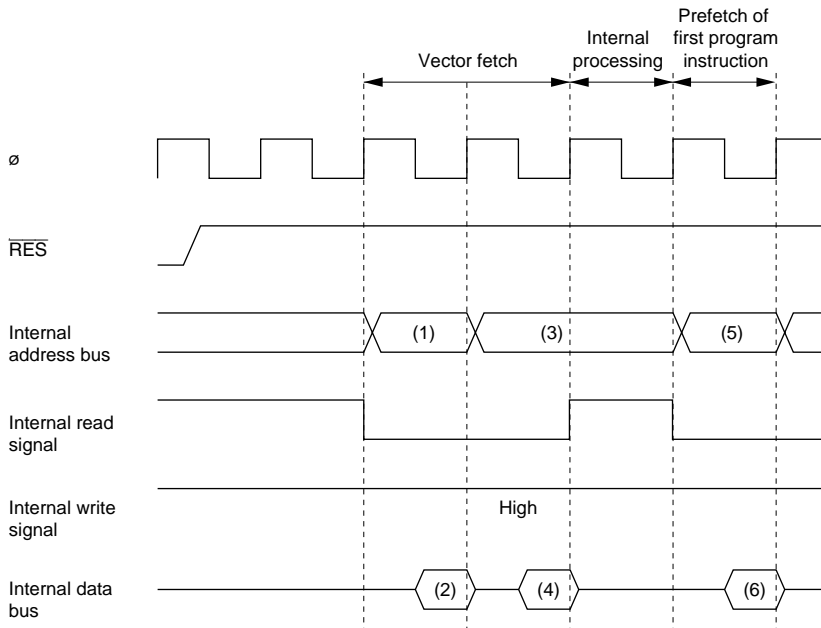
Figures 4-2 and 4-3 show examples of the reset sequence.



- (1) (3) Reset exception handling vector address (when reset, (1) = H'000000, (3) = H'000002)  
 (2) (4) Start address (contents of reset exception handling vector address)  
 (5) Start address ((5) = (2) (4))  
 (6) First program instruction

Note: \* Three program wait states are inserted.

**Figure 4-2 Reset Sequence (Modes 4 and 5)**



- (1) (3) Reset exception handling vector address (when reset, (1) = H'000000, (3) = H'000002)
- (2) (4) Start address (contents of reset exception handling vector address)
- (5) Start address ((5) = (2) (4))
- (6) First program instruction

**Figure 4-3 Reset Sequence (Modes 6 and 7)**

### 4.2.3 Interrupts after Reset

If an interrupt is accepted after a reset but before the stack pointer (SP) is initialized, the PC and CCR will not be saved correctly, leading to a program crash. To prevent this, all interrupt requests, including NMI, are disabled immediately after a reset. Since the first instruction of a program is always executed immediately after the reset state ends, make sure that this instruction initializes the stack pointer (example: `MOV.L #xx: 32, SP`).

### 4.2.4 State of On-Chip Supporting Modules after Reset Release

After reset release, MSTPCRA to MSTPCRC are initialized to H'3F, H'FF, and H'FF, respectively, and all modules except the DTC enter module stop mode. Consequently, on-chip supporting module registers cannot be read or written to. Register reading and writing is enabled when module stop mode is exited.

## 4.3 Traces

Traces are enabled in interrupt control mode 2. Trace mode is not activated in interrupt control mode 0, irrespective of the state of the T bit. For details of interrupt control modes, see section 5, Interrupt Controller.

If the T bit in EXR is set to 1, trace mode is activated. In trace mode, a trace exception occurs on completion of each instruction.

Trace mode is canceled by clearing the T bit in EXR to 0. It is not affected by interrupt masking.

Table 4-3 shows the state of CCR and EXR after execution of trace exception handling.

Interrupts are accepted even within the trace exception handling routine.

The T bit saved on the stack retains its value of 1, and when control is returned from the trace exception handling routine by the RTE instruction, trace mode resumes.

Trace exception handling is not carried out after execution of the RTE instruction.

**Table 4-3 Status of CCR and EXR after Trace Exception Handling**

Interrupt Control Mode	CCR		EXR	
	I	UI	I2 to I0	T
0	Trace exception handling cannot be used.			
2	1	—	—	0

### Legend

1: Set to 1

0: Cleared to 0

—: Retains value prior to execution.

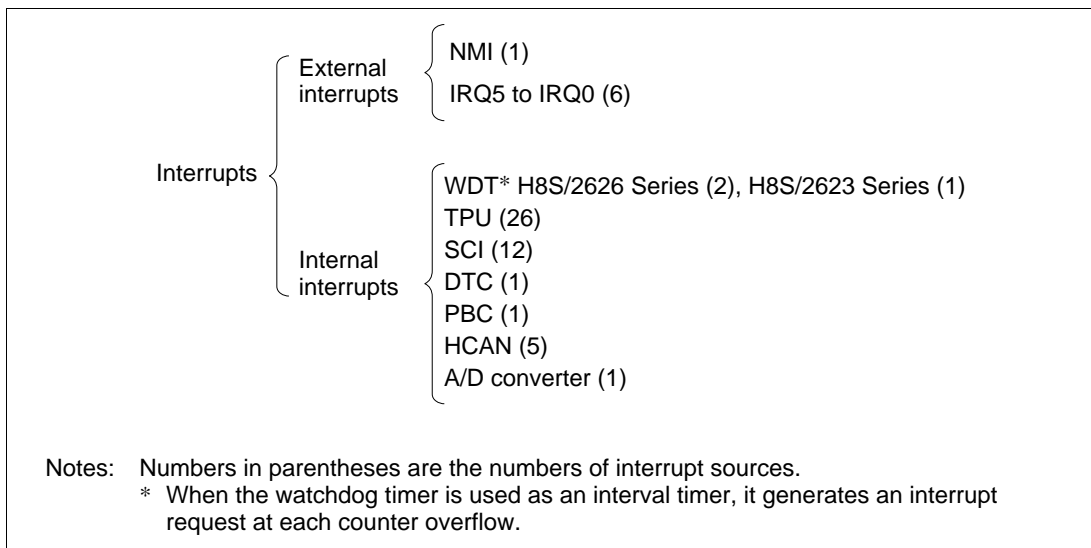
## 4.4 Interrupts

Interrupt exception handling can be requested by seven external sources (NMI, IRQ5 to IRQ0) and internal sources (H8S/2626 Series: 48, H8S/2623 Series: 47) in the on-chip supporting modules. Figure 4-4 classifies the interrupt sources and the number of interrupts of each type.

The on-chip supporting modules that can request interrupts include the watchdog timer (WDT), 16-bit timer-pulse unit (TPU), serial communication interface (SCI), data transfer controller (DTC), PC break controller (PBC), Hitachi controller area network (HCAN), and A/D converter. Each interrupt source has a separate vector address.

NMI is the highest-priority interrupt. Interrupts are controlled by the interrupt controller. The interrupt controller has two interrupt control modes and can assign interrupts other than NMI to eight priority/mask levels to enable multiplexed interrupt control.

For details of interrupts, see section 5, Interrupt Controller.



**Figure 4-4 Interrupt Sources and Number of Interrupts**

## 4.5 Trap Instruction

Trap instruction exception handling starts when a TRAPA instruction is executed. Trap instruction exception handling can be executed at all times in the program execution state.

The TRAPA instruction fetches a start address from a vector table entry corresponding to a vector number from 0 to 3, as specified in the instruction code.

Table 4-4 shows the status of CCR and EXR after execution of trap instruction exception handling.

**Table 4-4 Status of CCR and EXR after Trap Instruction Exception Handling**

Interrupt Control Mode	CCR		EXR	
	I	UI	I2 to I0	T
0	1	—	—	—
2	1	—	—	0

### Legend

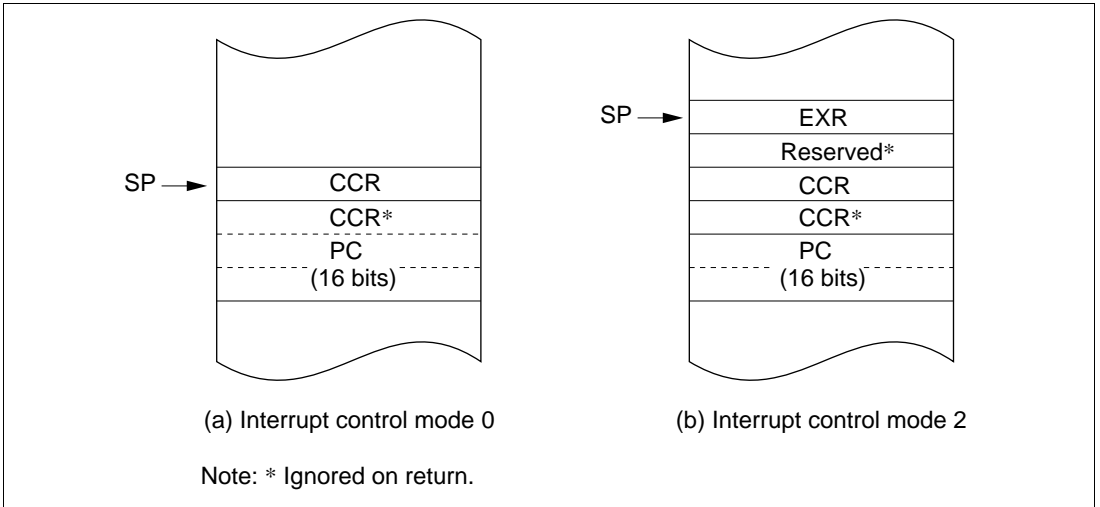
1: Set to 1

0: Cleared to 0

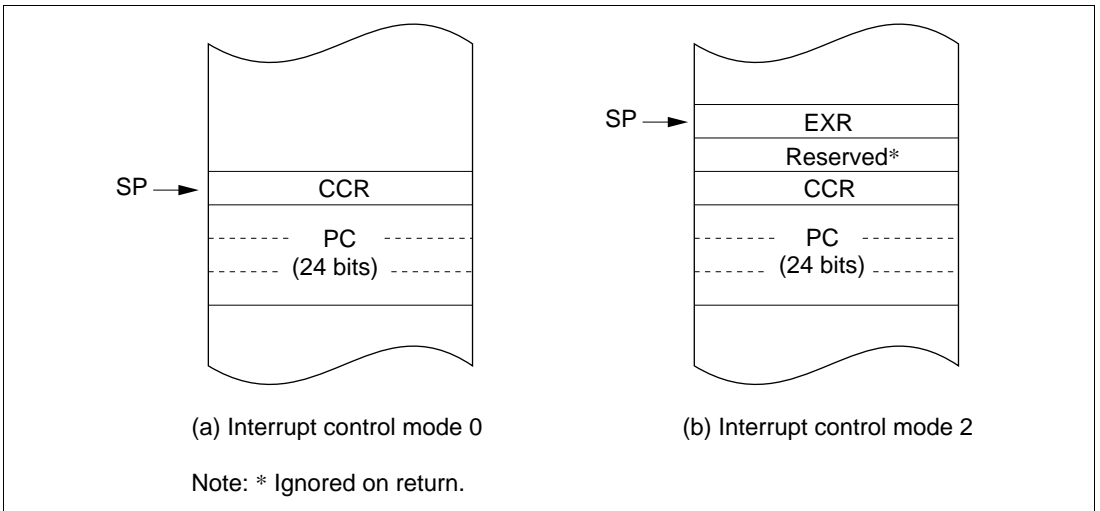
—: Retains value prior to execution.

## 4.6 Stack Status after Exception Handling

Figures 4-5 (1) and 4-5 (2) show the stack after completion of trap instruction exception handling and interrupt exception handling.



**Figure 4-5 (1) Stack Status after Exception Handling (Normal Modes: Not Available in the H8S/2626 Series or H8S/2623 Series)**



**Figure 4-5 (2) Stack Status after Exception Handling (Advanced Modes)**



## 4.7 Notes on Use of the Stack

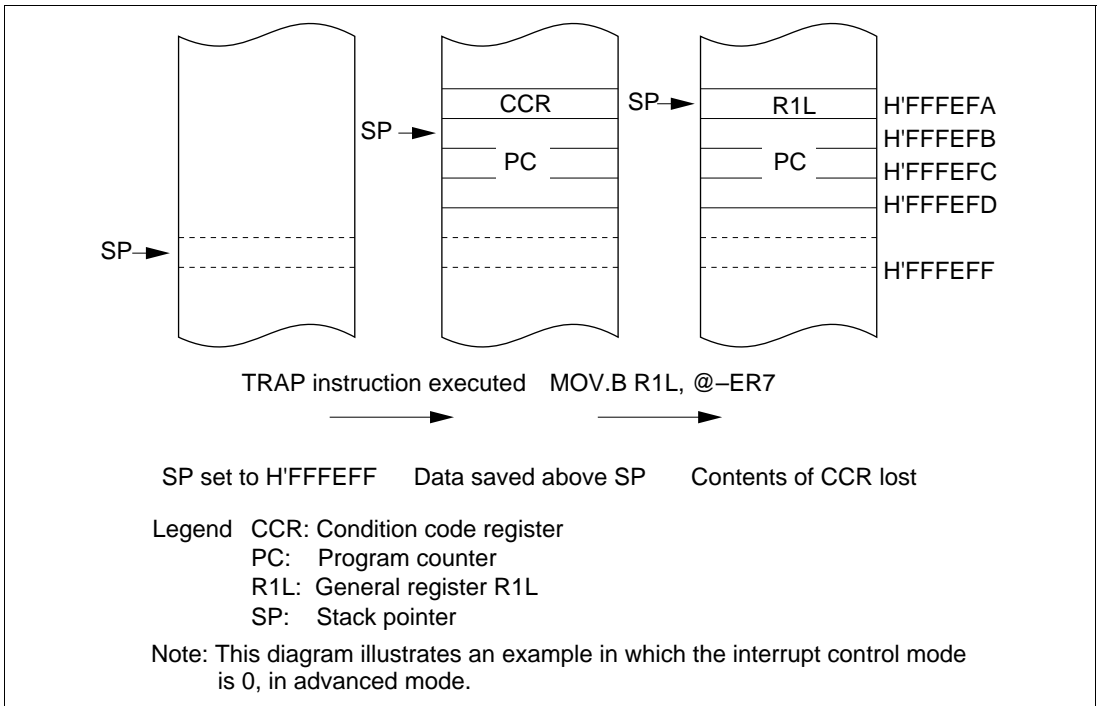
When accessing word data or longword data, the H8S/2626 Series or H8S/2623 Series assumes that the lowest address bit is 0. The stack should always be accessed by word transfer instruction or longword transfer instruction, and the value of the stack pointer (SP, ER7) should always be kept even. Use the following instructions to save registers:

```
PUSH.W  Rn    (or MOV.W Rn, @-SP)
PUSH.L  ERn   (or MOV.L ERn, @-SP)
```

Use the following instructions to restore registers:

```
POP.W   Rn    (or MOV.W @SP+, Rn)
POP.L   ERn   (or MOV.L @SP+, ERn)
```

Setting SP to an odd value may lead to a malfunction. Figure 4-6 shows an example of what happens when the SP value is odd.



**Figure 4-6 Operation when SP Value is Odd**



# Section 5 Interrupt Controller

## 5.1 Overview

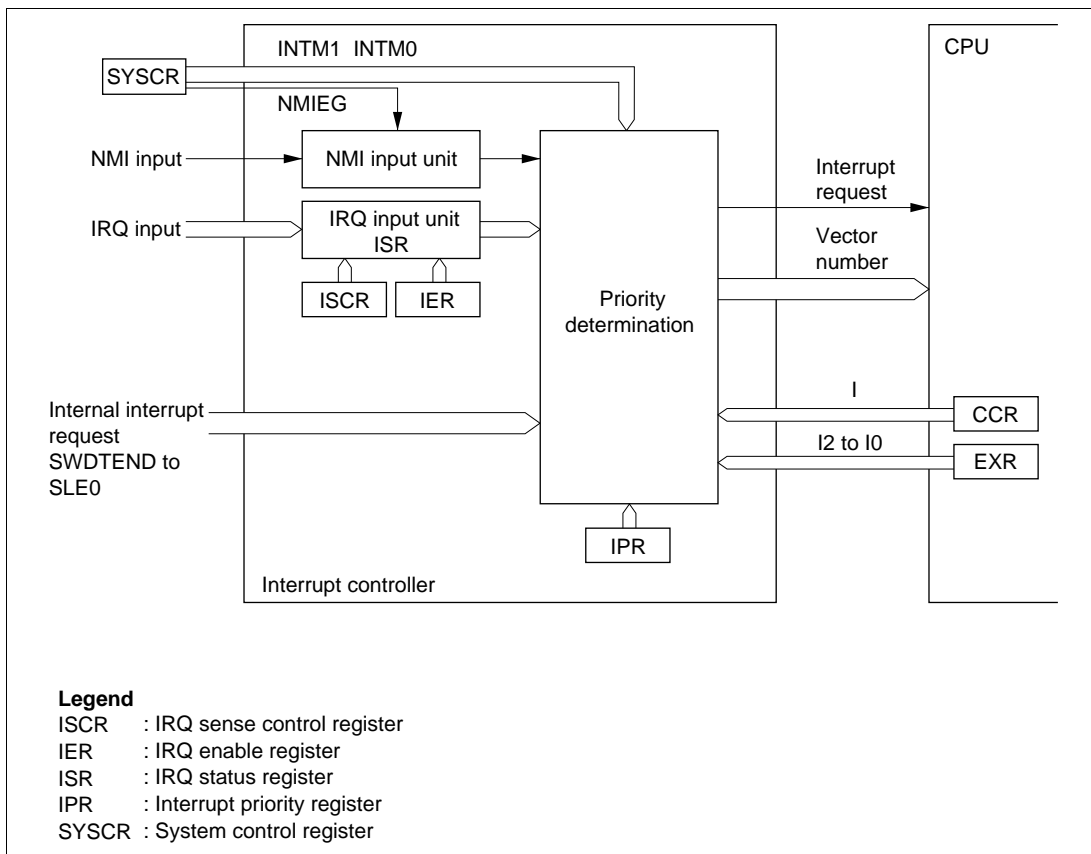
### 5.1.1 Features

The H8S/2626 Series and H8S/2623 Series control interrupts by means of an interrupt controller. The interrupt controller has the following features:

- Two interrupt control modes
  - Any of two interrupt control modes can be set by means of the INTM1 and INTM0 bits in the system control register (SYSCR).
- Priorities settable with IPR
  - An interrupt priority register (IPR) is provided for setting interrupt priorities. Eight priority levels can be set for each module for all interrupts except NMI.
  - NMI is assigned the highest priority level of 8, and can be accepted at all times.
- Independent vector addresses
  - All interrupt sources are assigned independent vector addresses, making it unnecessary for the source to be identified in the interrupt handling routine.
- Seven external interrupts
  - NMI is the highest-priority interrupt, and is accepted at all times. Rising edge or falling edge can be selected for NMI.
  - Falling edge, rising edge, or both edge detection, or level sensing, can be selected for IRQ5 to IRQ0.
- DTC control
  - DTC activation is performed by means of interrupts.

## 5.1.2 Block Diagram

A block diagram of the interrupt controller is shown in figure 5-1.



**Figure 5-1 Block Diagram of Interrupt Controller**

### 5.1.3 Pin Configuration

Table 5-1 summarizes the pins of the interrupt controller.

**Table 5-1 Interrupt Controller Pins**

Name	Symbol	I/O	Function
Nonmaskable interrupt	NMI	Input	Nonmaskable external interrupt; rising or falling edge can be selected
External interrupt requests 5 to 0	$\overline{\text{IRQ5}}$ to $\overline{\text{IRQ0}}$	Input	Maskable external interrupts; rising, falling, or both edges, or level sensing, can be selected

### 5.1.4 Register Configuration

Table 5-2 summarizes the registers of the interrupt controller.

**Table 5-2 Interrupt Controller Registers**

Name	Abbreviation	R/W	Initial Value	Address* <sup>1</sup>
System control register	SYSCR	R/W	H'01	H'FDE5
IRQ sense control register H	ISCRH	R/W	H'00	H'FE12
IRQ sense control register L	ISCLR	R/W	H'00	H'FE13
IRQ enable register	IER	R/W	H'00	H'FE14
IRQ status register	ISR	R/(W)* <sup>2</sup>	H'00	H'FE15
Interrupt priority register A	IPRA	R/W	H'77	H'FEC0
Interrupt priority register B	IPRB	R/W	H'77	H'FEC1
Interrupt priority register C	IPRC	R/W	H'77	H'FEC2
Interrupt priority register D	IPRD	R/W	H'77	H'FEC3
Interrupt priority register E	IPRE	R/W	H'77	H'FEC4
Interrupt priority register F	IPRF	R/W	H'77	H'FEC5
Interrupt priority register G	IPRG	R/W	H'77	H'FEC6
Interrupt priority register H	IPRH	R/W	H'77	H'FEC7
Interrupt priority register I	IPRI	R/W	H'77	H'FEC8
Interrupt priority register J	IPRJ	R/W	H'77	H'FEC9
Interrupt priority register K	IPRK	R/W	H'77	H'FECA
Interrupt priority register M	IPRM	R/W	H'77	H'FECC

Notes: \*1 Lower 16 bits of the address.

\*2 Only 0 can be written, for flag clearing.

## 5.2 Register Descriptions

### 5.2.1 System Control Register (SYSCR)

Bit	:	7	6	5	4	3	2	1	0
		MACS	—	INTM1	INTM0	NMIEG	—	—	RAME
Initial value	:	0	0	0	0	0	0	0	1
R/W	:	R/W	—	R/W	R/W	R/W	R/W	—	R/W

SYSCR is an 8-bit readable/writable register that selects the interrupt control mode, and the detected edge for NMI.

Only bits 5 to 3 are described here; for details of the other bits, see section 3.2.2, System Control Register (SYSCR).

SYSCR is initialized to H'01 by a reset and in hardware standby mode. SYSCR is not initialized in software standby mode.

**Bits 5 and 4—Interrupt Control Mode 1 and 0 (INTM1, INTM0):** These bits select one of two interrupt control modes for the interrupt controller.

Bit 5	Bit 4	Interrupt Control Mode	Description
INTM1	INTM0		
0	0	0	Interrupts are controlled by I bit (Initial value)
	1	—	Setting prohibited
1	0	2	Interrupts are controlled by bits I2 to I0, and IPR
	1	—	Setting prohibited

**Bit 3—NMI Edge Select (NMIEG):** Selects the input edge for the NMI pin.

Bit 3	Description
NMIEG	
0	Interrupt request generated at falling edge of NMI input (Initial value)
1	Interrupt request generated at rising edge of NMI input

## 5.2.2 Interrupt Priority Registers A to K, M (IPRA to IPRK, IPRM)

Bit	:	7	6	5	4	3	2	1	0
		—	IPR6	IPR5	IPR4	—	IPR2	IPR1	IPR0
Initial value	:	0	1	1	1	0	1	1	1
R/W	:	—	R/W	R/W	R/W	—	R/W	R/W	R/W

The IPR registers are twelve 8-bit readable/writable registers that set priorities (levels 7 to 0) for interrupts other than NMI.

The correspondence between IPR settings and interrupt sources is shown in table 5-3.

The IPR registers set a priority (level 7 to 0) for each interrupt source other than NMI.

The IPR registers are initialized to H'77 by a reset and in hardware standby mode.

They are not initialized in software standby mode.

**Bits 7 and 3—Reserved:** These bits are always read as 0 and cannot be modified.

**Table 5-3 Correspondence between Interrupt Sources and IPR Settings**

Register	Bits	
	6 to 4	2 to 0
IPRA	IRQ0	IRQ1
IPRB	IRQ2 IRQ3	IRQ4 IRQ5
IPRC	—* <sup>1</sup>	DTC
IPRD	WDT0	—* <sup>1</sup>
IPRE	PC break	A/D converter, WDT1* <sup>2</sup>
IPRF	TPU channel 0	TPU channel 1
IPRG	TPU channel 2	TPU channel 3
IPRH	TPU channel 4	TPU channel 5
IPRI	—* <sup>1</sup>	—* <sup>1</sup>
IPRJ	—* <sup>1</sup>	SCI channel 0
IPRK	SCI channel 1	SCI channel 2
IPRM	HCAN	—* <sup>1</sup>

Notes: \*1 Reserved bits. These bits are always read as 1 and cannot be modified.

\*2 Valid only in the H8S/2626 Series.

As shown in table 5-3, multiple interrupts are assigned to one IPR. Setting a value in the range from H'0 to H'7 in the 3-bit groups of bits 6 to 4 and 2 to 0 sets the priority of the corresponding interrupt. The lowest priority level, level 0, is assigned by setting H'0, and the highest priority level, level 7, by setting H'7.

When interrupt requests are generated, the highest-priority interrupt according to the priority levels set in the IPR registers is selected. This interrupt level is then compared with the interrupt mask level set by the interrupt mask bits (I2 to I0) in the extend register (EXR) in the CPU, and if the priority level of the interrupt is higher than the set mask level, an interrupt request is issued to the CPU.

### 5.2.3 IRQ Enable Register (IER)

Bit	:	7	6	5	4	3	2	1	0
		—	—	IRQ5E	IRQ4E	IRQ3E	IRQ2E	IRQ1E	IRQ0E
Initial value	:	0	0	0	0	0	0	0	0
R/W	:	R/W	R/W	R/W	R/W	R/W	R/W	R/W	R/W

IER is an 8-bit readable/writable register that controls enabling and disabling of interrupt requests IRQ5 to IRQ0.

IER is initialized to H'00 by a reset and in hardware standby mode.

They are not initialized in software standby mode.

**Bits 7 and 6—Reserved:** Only 0 should be written to these bits.

**Bits 5 to 0—IRQ5 to IRQ0 Enable (IRQ5E to IRQ0E):** These bits select whether IRQ5 to IRQ0 are enabled or disabled.

**Bit n**

IRQnE	Description
0	IRQn interrupts disabled (Initial value)
1	IRQn interrupts enabled

(n = 5 to 0)



## 5.2.4 IRQ Sense Control Registers H and L (ISCRH, ISCR L)

### ISCRH

Bit	:	15	14	13	12	11	10	9	8
		—	—	—	—	IRQ5SCB	IRQ5SCA	IRQ4SCB	IRQ4SCA
Initial value	:	0	0	0	0	0	0	0	0
R/W	:	R/W	R/W	R/W	R/W	R/W	R/W	R/W	R/W

### ISCR L

Bit	:	7	6	5	4	3	2	1	0
		IRQ3SCB	IRQ3SCA	IRQ2SCB	IRQ2SCA	IRQ1SCB	IRQ1SCA	IRQ0SCB	IRQ0SCA
Initial value	:	0	0	0	0	0	0	0	0
R/W	:	R/W	R/W	R/W	R/W	R/W	R/W	R/W	R/W

The ISCR registers are 16-bit readable/writable registers that select rising edge, falling edge, or both edge detection, or level sensing, for the input at pins  $\overline{\text{IRQ}}5$  to  $\overline{\text{IRQ}}0$ .

The ISCR registers are initialized to H'0000 by a reset and in hardware standby mode.

They are not initialized in software standby mode.

**Bits 15 to 12—Reserved:** Only 0 should be written to these bits.

**Bits 11 to 0:** IRQ7 Sense Control A and B (IRQ5SCA, IRQ5SCB) to IRQ0 Sense Control A and B (IRQ0SCA, IRQ0SCB)

#### Bits 11 to 0

IRQ5SCB to IRQ0SCB	IRQ5SCA to IRQ0SCA	Description
0	0	Interrupt request generated at $\overline{\text{IRQ}}5$ to $\overline{\text{IRQ}}0$ input low level (Initial value)
	1	Interrupt request generated at falling edge of $\overline{\text{IRQ}}5$ to $\overline{\text{IRQ}}0$ input
1	0	Interrupt request generated at rising edge of $\overline{\text{IRQ}}5$ to $\overline{\text{IRQ}}0$ input
	1	Interrupt request generated at both falling and rising edges of $\overline{\text{IRQ}}5$ to $\overline{\text{IRQ}}0$ input

## 5.2.5 IRQ Status Register (ISR)

Bit	:	7	6	5	4	3	2	1	0
		—	—	IRQ5F	IRQ4F	IRQ3F	IRQ2F	IRQ1F	IRQ0F
Initial value :		0	0	0	0	0	0	0	0
R/W	:	R/(W)*	R/(W)*	R/(W)*	R/(W)*	R/(W)*	R/(W)*	R/(W)*	R/(W)*

Note: \* Only 0 can be written, to clear the flag.

ISR is an 8-bit readable/writable register that indicates the status of IRQ5 to IRQ0 interrupt requests.

ISR is initialized to H'00 by a reset and in hardware standby mode.

They are not initialized in software standby mode.

**Bits 7 and 6—Reserved:** Only 0 should be written to these bits.

**Bits 5 to 0—IRQ5 to IRQ0 flags (IRQ5F to IRQ0F):** These bits indicate the status of IRQ7 to IRQ0 interrupt requests.

### Bit n

#### IRQnF Description

0	[Clearing conditions] (Initial value) <ul style="list-style-type: none"> <li>• Cleared by reading IRQnF flag when IRQnF = 1, then writing 0 to IRQnF flag</li> <li>• When interrupt exception handling is executed when low-level detection is set (IRQnSCB = IRQnSCA = 0) and <math>\overline{\text{IRQn}}</math> input is high</li> <li>• When IRQn interrupt exception handling is executed when falling, rising, or both-edge detection is set (IRQnSCB = 1 or IRQnSCA = 1)</li> <li>• When the DTC is activated by an IRQn interrupt, and the DISEL bit in MRB of the DTC is cleared to 0</li> </ul>
1	[Setting conditions] <ul style="list-style-type: none"> <li>• When <math>\overline{\text{IRQn}}</math> input goes low when low-level detection is set (IRQnSCB = IRQnSCA = 0)</li> <li>• When a falling edge occurs in <math>\overline{\text{IRQn}}</math> input when falling edge detection is set (IRQnSCB = 0, IRQnSCA = 1)</li> <li>• When a rising edge occurs in <math>\overline{\text{IRQn}}</math> input when rising edge detection is set (IRQnSCB = 1, IRQnSCA = 0)</li> <li>• When a falling or rising edge occurs in <math>\overline{\text{IRQn}}</math> input when both-edge detection is set (IRQnSCB = IRQnSCA = 1)</li> </ul>

(n = 5 to 0)

## 5.3 Interrupt Sources

Interrupt sources comprise external interrupts (NMI and IRQ5 to IRQ0) and internal interrupts (48 sources: H8S/2626 Series, 47 sources: H8S/2623 Series).

### 5.3.1 External Interrupts

There are seven external interrupts: NMI and IRQ5 to IRQ0. These interrupts can be used to restore the H8S/2626 Series or H8S/2623 Series chip from software standby mode.

**NMI Interrupt:** NMI is the highest-priority interrupt, and is always accepted by the CPU regardless of the interrupt control mode or the status of the CPU interrupt mask bits. The NMIEG bit in SYSCR can be used to select whether an interrupt is requested at a rising edge or a falling edge on the NMI pin.

The vector number for NMI interrupt exception handling is 7.

**IRQ5 to IRQ0 Interrupts:** Interrupts IRQ5 to IRQ0 are requested by an input signal at pins  $\overline{\text{IRQ}}_5$  to  $\overline{\text{IRQ}}_0$ . Interrupts IRQ5 to IRQ0 have the following features:

- Using ISCR, it is possible to select whether an interrupt is generated by a low level, falling edge, rising edge, or both edges, at pins  $\overline{\text{IRQ}}_5$  to  $\overline{\text{IRQ}}_0$ .
- Enabling or disabling of interrupt requests IRQ5 to IRQ0 can be selected with IER.
- The interrupt priority level can be set with IPR.
- The status of interrupt requests IRQ5 to IRQ0 is indicated in ISR. ISR flags can be cleared to 0 by software.

A block diagram of interrupts IRQ5 to IRQ0 is shown in figure 5-2.

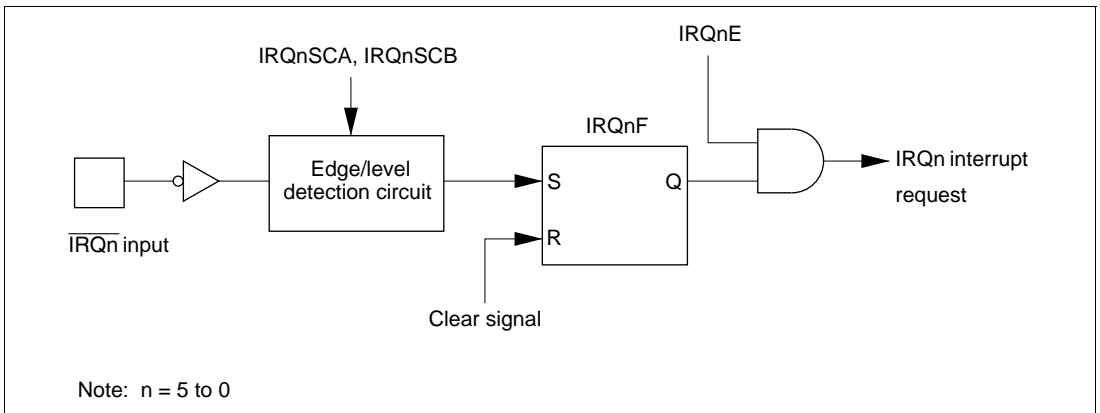
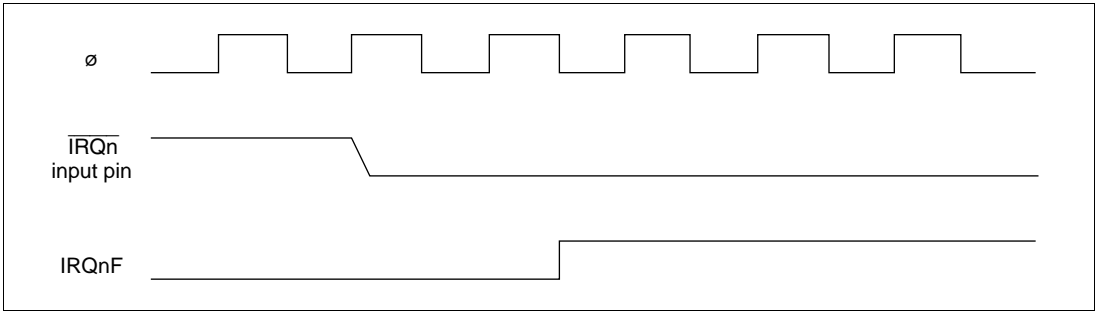


Figure 5-2 Block Diagram of Interrupts IRQ5 to IRQ0

Figure 5-3 shows the timing of setting IRQnF.



**Figure 5-3 Timing of Setting IRQnF**

The vector numbers for IRQ5 to IRQ0 interrupt exception handling are 21 to 16.

Detection of IRQ5 to IRQ0 interrupts does not depend on whether the relevant pin has been set for input or output. However, when a pin is used as an external interrupt input pin, do not clear the corresponding DDR to 0 and use the pin as an I/O pin for another function.

### 5.3.2 Internal Interrupts

There are 48 sources for internal interrupts from on-chip supporting modules in the H8S/2626 Series, and 47 in the H8S/2623 Series.

- For each on-chip supporting module there are flags that indicate the interrupt request status, and enable bits that select enabling or disabling of these interrupts. If both of these are set to 1 for a particular interrupt source, an interrupt request is issued to the interrupt controller.
- The interrupt priority level can be set by means of IPR.
- The DTC can be activated by a TPU, 8-bit timer, SCI, or other interrupt request. When the DTC is activated by an interrupt, the interrupt control mode and interrupt mask bits are not affected.

### 5.3.3 Interrupt Exception Handling Vector Table

Table 5-4 shows interrupt exception handling sources, vector addresses, and interrupt priorities. For default priorities, the lower the vector number, the higher the priority.

Priorities among modules can be set by means of the IPR. The situation when two or more modules are set to the same priority, and priorities within a module, are fixed as shown in table 5-4.

**Table 5-4 Interrupt Sources, Vector Addresses, and Interrupt Priorities**

Interrupt Source	Origin of Interrupt Source	Vector Number	Vector Address*		Priority
			Advanced Mode	IPR	
NMI	External pin	7	H'001C		High ↑
IRQ0		16	H'0040	IPRA6 to 4	
IRQ1		17	H'0044	IPRA2 to 0	
IRQ2		18	H'0048	IPRB6 to 4	
IRQ3		19	H'004C		
IRQ4	—	20	H'0050	IPRB2 to 0	↓ Low
IRQ5		21	H'0054		
Reserved		22	H'0058	IPRC6 to 4	
		23	H'005C		
SWDTEND (software activation interrupt end)		DTC	24	H'0060	
WOVI0 (interval timer)	Watchdog timer 0	25	H'0064	IPRD6 to 4	
Reserved	—	26	H'0068	IPRD2 to 0	
PC break	PC break	27	H'006C	IPRE6 to 4	
ADI (A/D conversion end)	A/D	28	H'0070	IPRE2 to 0	
WOVI1 (interval timer) (H8S/2626 Series only)	Watchdog timer 1	29	H'0074		
Reserved	—	30	H'0078		
		31	H'007C		
TGI0A (TGR0A input capture/compare match)	TPU channel 0	32	H'0080	IPRF6 to 4	
TGI0B (TGR0B input capture/compare match)		33	H'0084		
TGI0C (TGR0C input capture/compare match)		34	H'0088		
TGI0D (TGR0D input capture/compare match)		35	H'008C		
TCI0V (overflow 0)		36	H'0090		
Reserved		—	37		H'0094
	38		H'0098		
	39		H'009C		





## 5.4 Interrupt Operation

### 5.4.1 Interrupt Control Modes and Interrupt Operation

Interrupt operations in the H8S/2626 Series and H8S/2623 Series differ depending on the interrupt control mode.

NMI interrupts are accepted at all times except in the reset state and the hardware standby state. In the case of IRQ interrupts and on-chip supporting module interrupts, an enable bit is provided for each interrupt. Clearing an enable bit to 0 disables the corresponding interrupt request. Interrupt sources for which the enable bits are set to 1 are controlled by the interrupt controller.

Table 5-5 shows the interrupt control modes.

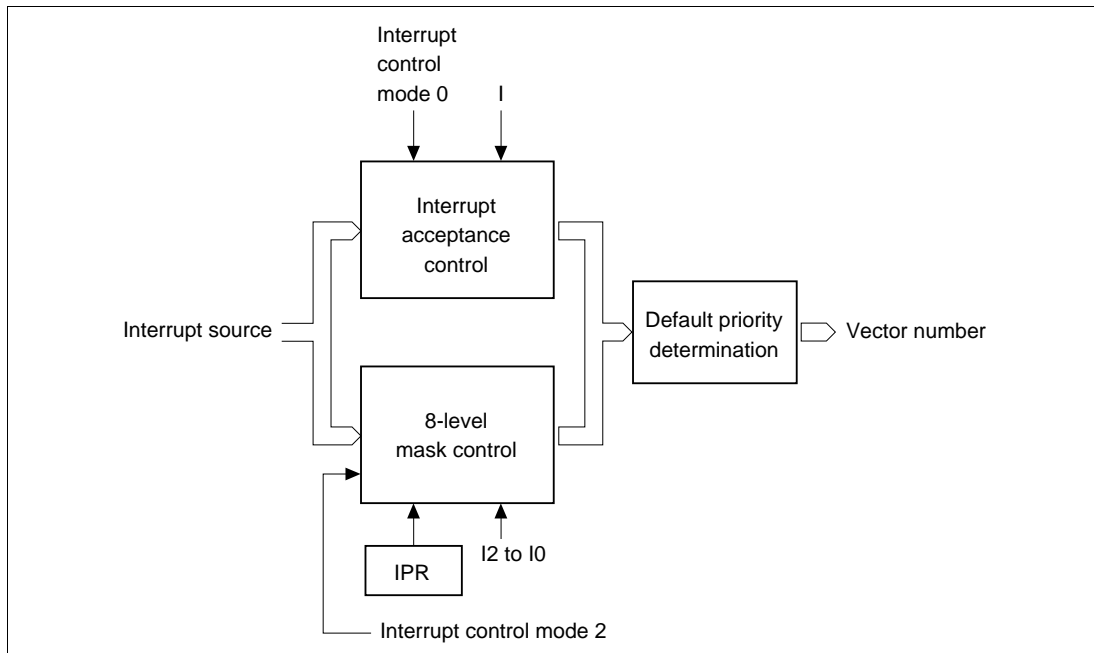
The interrupt controller performs interrupt control according to the interrupt control mode set by the INTM1 and INTM0 bits in SYSCR, the priorities set in IPR, and the masking state indicated by the I and UI bits in the CPU's CCR, and bits I2 to I0 in EXR.

**Table 5-5 Interrupt Control Modes**

Interrupt Control Mode	SYSCR		Priority Setting Registers	Interrupt Mask Bits	Description
	INTM1	INTM0			
0	0	0	—	I	Interrupt mask control is performed by the I bit.
—	—	1	—	—	Setting prohibited
2	1	0	IPR	I2 to I0	8-level interrupt mask control is performed by bits I2 to I0. 8 priority levels can be set with IPR.
—	—	1	—	—	Setting prohibited



Figure 5-4 shows a block diagram of the priority decision circuit.



**Figure 5-4 Block Diagram of Interrupt Control Operation**

### (1) Interrupt Acceptance Control

In interrupt control mode 0, interrupt acceptance is controlled by the I bit in CCR.

Table 5-6 shows the interrupts selected in each interrupt control mode.

**Table 5-6 Interrupts Selected in Each Interrupt Control Mode (1)**

Interrupt Control Mode	Interrupt Mask Bits	
	I	Selected Interrupts
0	0	All interrupts
	1	NMI interrupts
2	*	All interrupts

\* : Don't care

## (2) 8-Level Control

In interrupt control mode 2, 8-level mask level determination is performed for the selected interrupts in interrupt acceptance control according to the interrupt priority level (IPR).

The interrupt source selected is the interrupt with the highest priority level, and whose priority level set in IPR is higher than the mask level.

**Table 5-7 Interrupts Selected in Each Interrupt Control Mode (2)**

Interrupt Control Mode	Selected Interrupts
0	All interrupts
2	Highest-priority-level (IPR) interrupt whose priority level is greater than the mask level (IPR > I2 to I0).

## (3) Default Priority Determination

When an interrupt is selected by 8-level control, its priority is determined and a vector number is generated.

If the same value is set for IPR, acceptance of multiple interrupts is enabled, and so only the interrupt source with the highest priority according to the preset default priorities is selected and has a vector number generated.

Interrupt sources with a lower priority than the accepted interrupt source are held pending.

Table 5-8 shows operations and control signal functions in each interrupt control mode.

**Table 5-8 Operations and Control Signal Functions in Each Interrupt Control Mode**

Interrupt Control Mode	Setting		Interrupt Acceptance Control		8-Level Control			Default Priority Determination	T (Trace)
	INTM1	INTM0	I		I2 to I0	IPR			
0	0	0	○	IM	X	—	—* <sup>2</sup>	○	—
2	1	0	X	—* <sup>1</sup>	○	IM	PR	○	T

### Legend

○ : Interrupt operation control performed

X : No operation. (All interrupts enabled)

IM : Used as interrupt mask bit

PR : Sets priority.

— : Not used.

Notes: \*1 Set to 1 when interrupt is accepted.

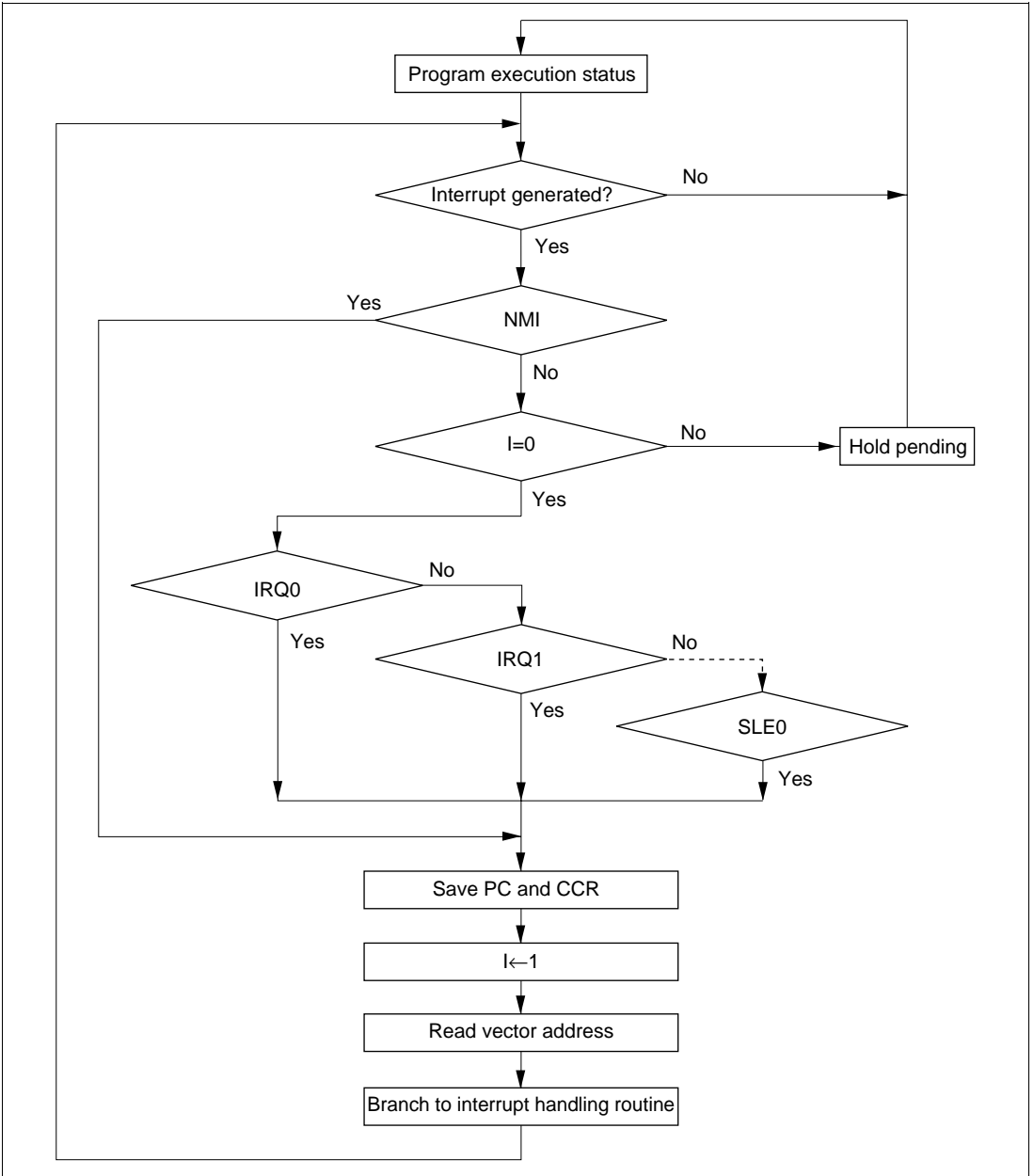
\*2 Keep the initial setting.

## 5.4.2 Interrupt Control Mode 0

Enabling and disabling of IRQ interrupts and on-chip supporting module interrupts can be set by means of the I bit in the CPU's CCR. Interrupts are enabled when the I bit is cleared to 0, and disabled when set to 1.

Figure 5-5 shows a flowchart of the interrupt acceptance operation in this case.

- [1] If an interrupt source occurs when the corresponding interrupt enable bit is set to 1, an interrupt request is sent to the interrupt controller.
- [2] The I bit is then referenced. If the I bit is cleared to 0, the interrupt request is accepted. If the I bit is set to 1, only an NMI interrupt is accepted, and other interrupt requests are held pending.
- [3] Interrupt requests are sent to the interrupt controller, the highest-ranked interrupt according to the priority system is accepted, and other interrupt requests are held pending.
- [4] When an interrupt request is accepted, interrupt exception handling starts after execution of the current instruction has been completed.
- [5] The PC and CCR are saved to the stack area by interrupt exception handling. The PC saved on the stack shows the address of the first instruction to be executed after returning from the interrupt handling routine.
- [6] Next, the I bit in CCR is set to 1. This masks all interrupts except NMI.
- [7] A vector address is generated for the accepted interrupt, and execution of the interrupt handling routine starts at the address indicated by the contents of that vector address.



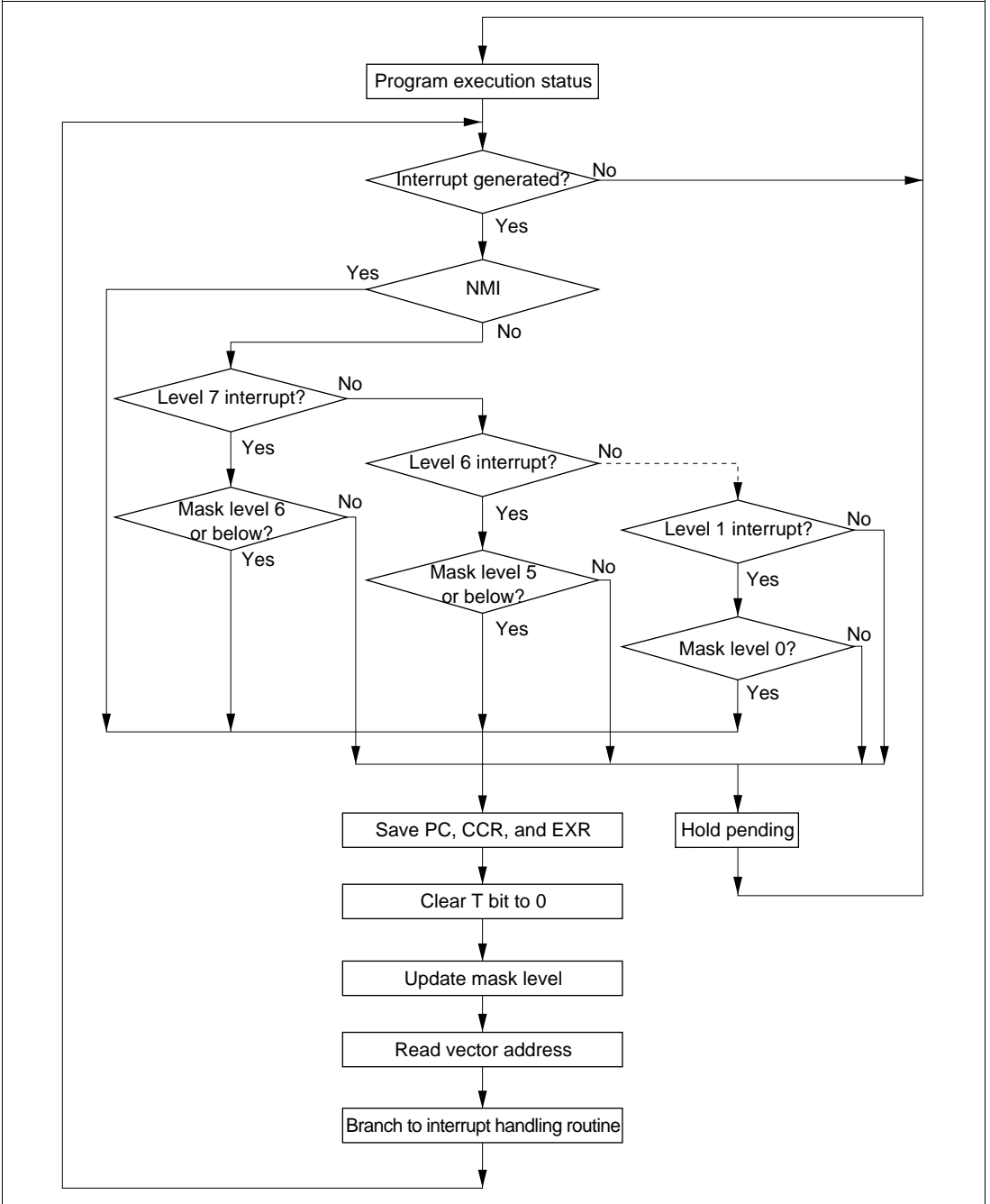
**Figure 5-5 Flowchart of Procedure Up to Interrupt Acceptance in Interrupt Control Mode 0**

### 5.4.3 Interrupt Control Mode 2

Eight-level masking is implemented for IRQ interrupts and on-chip supporting module interrupts by comparing the interrupt mask level set by bits I2 to I0 of EXR in the CPU with IPR.

Figure 5-6 shows a flowchart of the interrupt acceptance operation in this case.

- [1] If an interrupt source occurs when the corresponding interrupt enable bit is set to 1, an interrupt request is sent to the interrupt controller.
- [2] When interrupt requests are sent to the interrupt controller, the interrupt with the highest priority according to the interrupt priority levels set in IPR is selected, and lower-priority interrupt requests are held pending. If a number of interrupt requests with the same priority are generated at the same time, the interrupt request with the highest priority according to the priority system shown in table 5-4 is selected.
- [3] Next, the priority of the selected interrupt request is compared with the interrupt mask level set in EXR. An interrupt request with a priority no higher than the mask level set at that time is held pending, and only an interrupt request with a priority higher than the interrupt mask level is accepted.
- [4] When an interrupt request is accepted, interrupt exception handling starts after execution of the current instruction has been completed.
- [5] The PC, CCR, and EXR are saved to the stack area by interrupt exception handling. The PC saved on the stack shows the address of the first instruction to be executed after returning from the interrupt handling routine.
- [6] The T bit in EXR is cleared to 0. The interrupt mask level is rewritten with the priority level of the accepted interrupt.  
If the accepted interrupt is NMI, the interrupt mask level is set to H'7.
- [7] A vector address is generated for the accepted interrupt, and execution of the interrupt handling routine starts at the address indicated by the contents of that vector address.



**Figure 5-6 Flowchart of Procedure Up to Interrupt Acceptance in Interrupt Control Mode 2**

## 5.4.4 Interrupt Exception Handling Sequence

Figure 5-7 shows the interrupt exception handling sequence. The example shown is for the case where interrupt control mode 0 is set in advanced mode, and the program area and stack area are in on-chip memory.

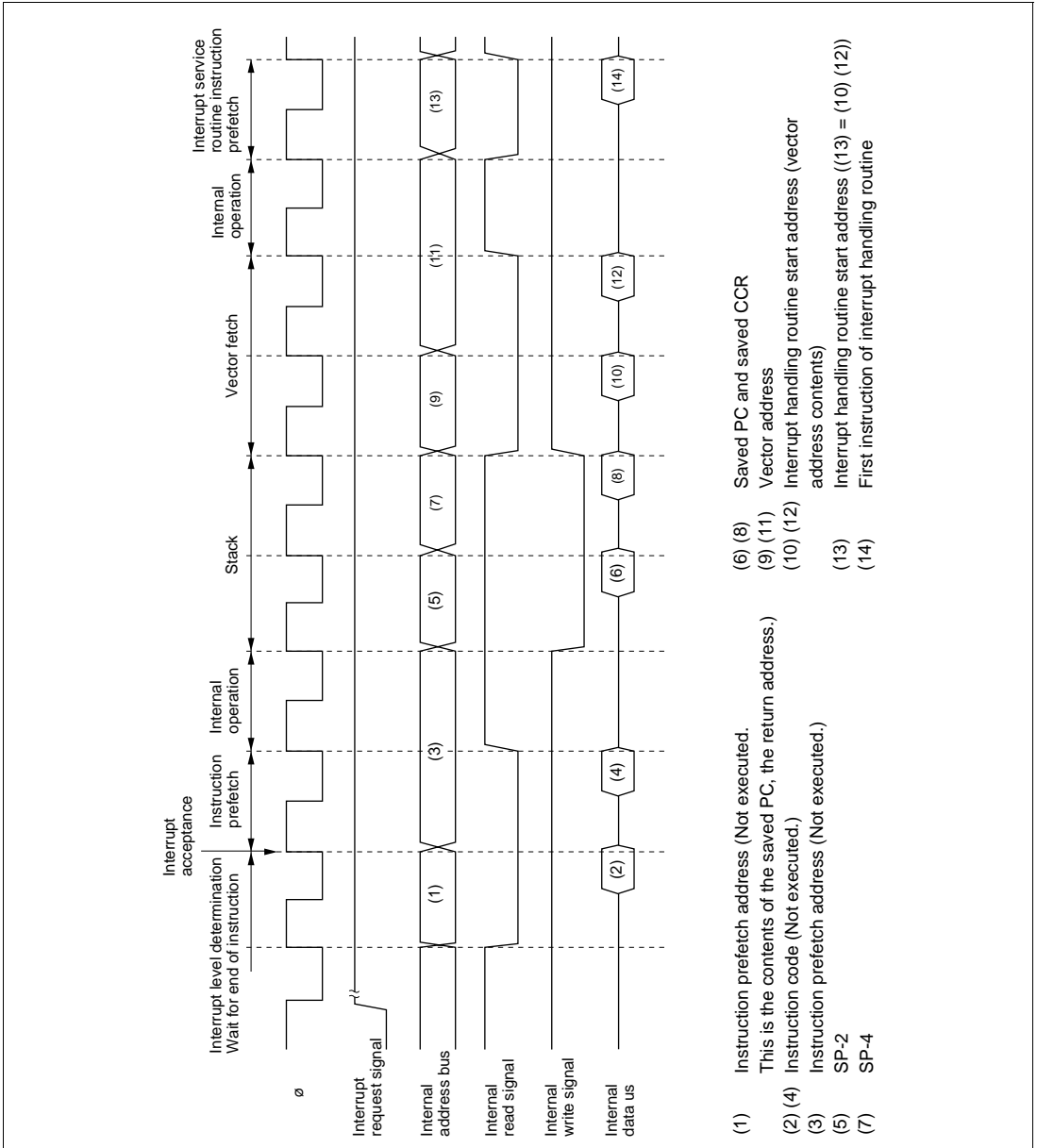


Figure 5-7 Interrupt Exception Handling

## 5.4.5 Interrupt Response Times

The H8S/2626 Series and H8S/2623 Series are capable of fast word transfer to on-chip memory, and have the program area in on-chip ROM and the stack area in on-chip RAM, enabling high-speed processing.

Table 5-9 shows interrupt response times - the interval between generation of an interrupt request and execution of the first instruction in the interrupt handling routine. The execution status symbols used in table 5-9 are explained in table 5-10.

**Table 5-9 Interrupt Response Times**

No.	Execution Status	Normal Mode* <sup>5</sup>		Advanced Mode	
		INTM1 = 0	INTM1 = 1	INTM1 = 0	INTM1 = 1
1	Interrupt priority determination* <sup>1</sup>	3	3	3	3
2	Number of wait states until executing instruction ends* <sup>2</sup>	1 to (19+2·S <sub>I</sub> )	1 to (19+2·S <sub>I</sub> )	1 to (19+2·S <sub>I</sub> )	1 to (19+2·S <sub>I</sub> )
3	PC, CCR, EXR stack save	2·S <sub>K</sub>	3·S <sub>K</sub>	2·S <sub>K</sub>	3·S <sub>K</sub>
4	Vector fetch	S <sub>I</sub>	S <sub>I</sub>	2·S <sub>I</sub>	2·S <sub>I</sub>
5	Instruction fetch* <sup>3</sup>	2·S <sub>I</sub>	2·S <sub>I</sub>	2·S <sub>I</sub>	2·S <sub>I</sub>
6	Internal processing* <sup>4</sup>	2	2	2	2
Total (using on-chip memory)		11 to 31	12 to 32	12 to 32	13 to 33

Notes: \*1 Two states in case of internal interrupt.

\*2 Refers to MULXS and DIVXS instructions.

\*3 Prefetch after interrupt acceptance and interrupt handling routine prefetch.

\*4 Internal processing after interrupt acceptance and internal processing after vector fetch.

\*5 Not available in the H8S/2626 Series or H8S/2623 Series.



**Table 5-10 Number of States in Interrupt Handling Routine Execution Statuses**

Symbol	Object of Access					
	Internal Memory	External Device				
		8 Bit Bus		16 Bit Bus		
		2-State Access	3-State Access	2-State Access	3-State Access	
Instruction fetch	$S_i$	1	4	6+2m	2	3+m
Branch address read	$S_j$					
Stack manipulation	$S_k$					

**Legend**

m : Number of wait states in an external device access.

## 5.5 Usage Notes

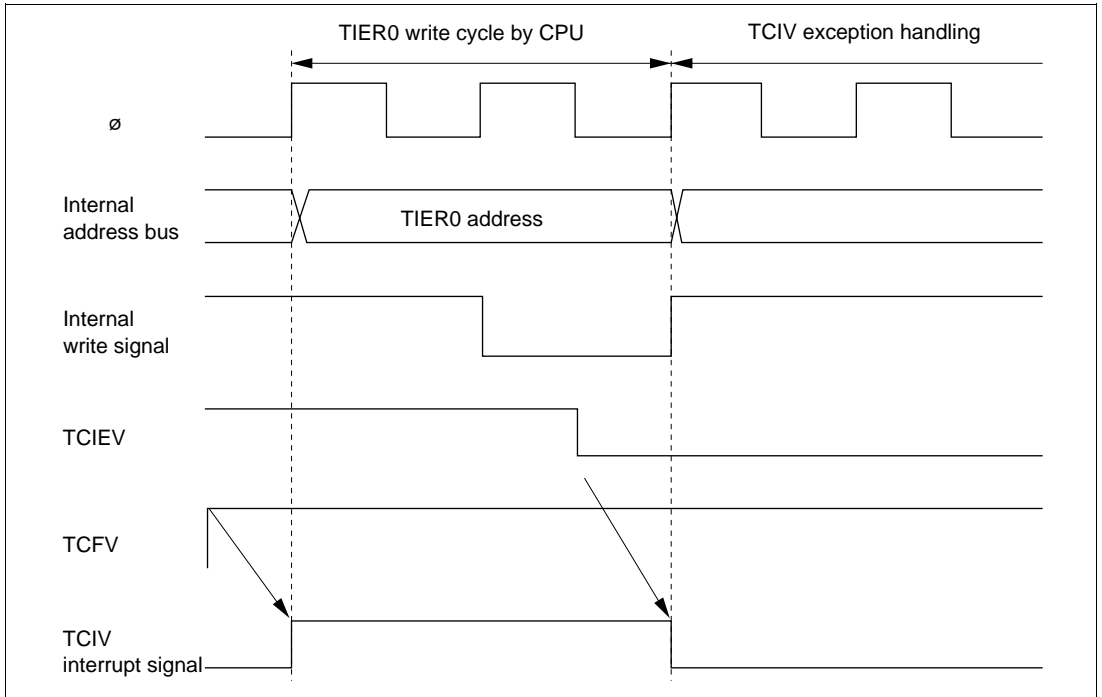
### 5.5.1 Contention between Interrupt Generation and Disabling

When an interrupt enable bit is cleared to 0 to disable interrupts, the disabling becomes effective after execution of the instruction.

In other words, when an interrupt enable bit is cleared to 0 by an instruction such as BCLR or MOV, if an interrupt is generated during execution of the instruction, the interrupt concerned will still be enabled on completion of the instruction, and so interrupt exception handling for that interrupt will be executed on completion of the instruction. However, if there is an interrupt request of higher priority than that interrupt, interrupt exception handling will be executed for the higher-priority interrupt, and the lower-priority interrupt will be ignored.

The same also applies when an interrupt source flag is cleared to 0.

Figure 5-8 shows an example in which the TCIEV bit in the TPU's TIER0 register is cleared to 0.



**Figure 5-8 Contention between Interrupt Generation and Disabling**

The above contention will not occur if an enable bit or interrupt source flag is cleared to 0 while the interrupt is masked.

### 5.5.2 Instructions that Disable Interrupts

Instructions that disable interrupts are LDC, ANDC, ORC, and XORC. After any of these instructions is executed, all interrupts including NMI are disabled and the next instruction is always executed. When the I bit is set by one of these instructions, the new value becomes valid two states after execution of the instruction ends.

### 5.5.3 Times when Interrupts are Disabled

There are times when interrupt acceptance is disabled by the interrupt controller.

The interrupt controller disables interrupt acceptance for a 3-state period after the CPU has updated the mask level with an LDC, ANDC, ORC, or XORC instruction.

### 5.5.4 Interrupts during Execution of EEPMOV Instruction

Interrupt operation differs between the EEPMOV.B instruction and the EEPMOV.W instruction.

With the EEPMOV.B instruction, an interrupt request (including NMI) issued during the transfer is not accepted until the move is completed.

With the EEPMOV.W instruction, if an interrupt request is issued during the transfer, interrupt exception handling starts at a break in the transfer cycle. The PC value saved on the stack in this case is the address of the next instruction.

Therefore, if an interrupt is generated during execution of an EEPMOV.W instruction, the following coding should be used.

```
L1:  EEPMOV.W
      MOV.W   R4,R4
      BNE    L1
```

## 5.6 DTC Activation by Interrupt

### 5.6.1 Overview

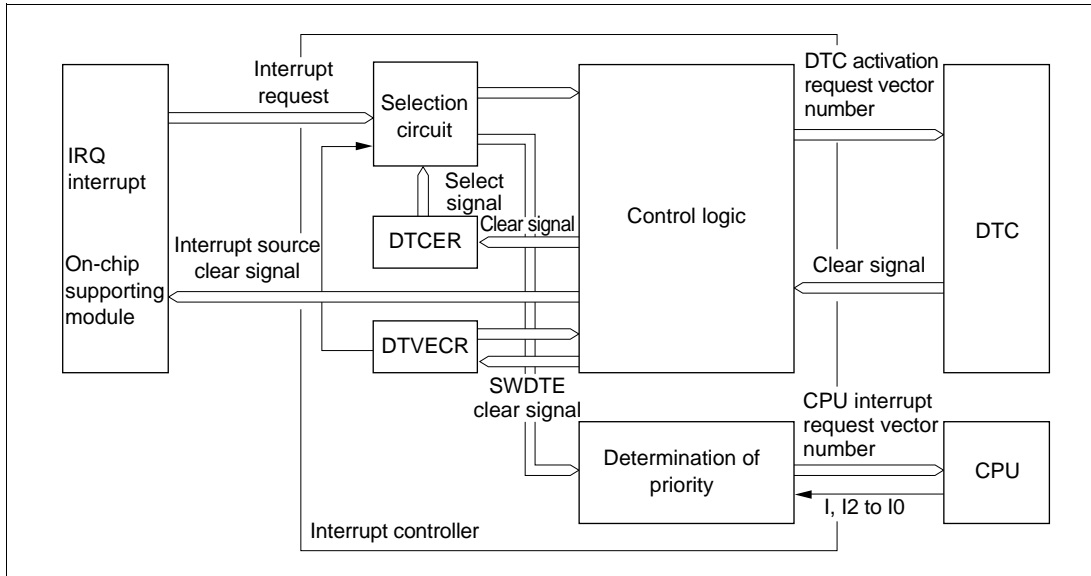
The DTC can be activated by an interrupt. In this case, the following options are available:

- Interrupt request to CPU
- Activation request to DTC
- Selection of a number of the above

For details of interrupt requests that can be used with to activate the DTC, see section 8, Data Transfer Controller (DTC).

### 5.6.2 Block Diagram

Figure 5-9 shows a block diagram of the DTC interrupt controller.



**Figure 5-9 Interrupt Control for DTC**

### 5.6.3 Operation

The interrupt controller has three main functions in DTC control.

**(1) Selection of Interrupt Source:** Interrupt sources can be specified as DTC activation requests or CPU interrupt requests by means of the DTCE bit of DTCERA to DTCERG in the DTC.

After a DTC data transfer, the DTCE bit can be cleared to 0 and an interrupt request sent to the CPU in accordance with the specification of the DISEL bit of MRB in the DTC.

When the DTC has performed the specified number of data transfers and the transfer counter value is zero, the DTCE bit is cleared to 0 and an interrupt request is sent to the CPU after the DTC data transfer.

**(2) Determination of Priority:** The DTC activation source is selected in accordance with the default priority order, and is not affected by mask or priority levels. See section 8.3.3, DTC Vector Table, for the respective priorities.

**(3) Operation Order:** If the same interrupt is selected as a DTC activation source and a CPU interrupt source, the DTC data transfer is performed first, followed by CPU interrupt exception handling.

Table 5-11 summarizes interrupt source selection and interrupt source clearance control according to the settings of the DTCE bit of DTCERA to DTCERG in the DTC, and the DISEL bit of MRB in the DTC.

**Table 5-11 Interrupt Source Selection and Clearing Control**

Settings		Interrupt Source Selection/Clearing Control	
DTC		DTC	CPU
DTCE	DISEL		
0	*	X	
1	0		X
	1	O	

**Legend**

- : The relevant interrupt is used. Interrupt source clearing is performed.  
(The CPU should clear the source flag in the interrupt handling routine.)
- O : The relevant interrupt is used. The interrupt source is not cleared.
- X : The relevant bit cannot be used.
- \* : Don't care

**(4) Notes on Use:** SCI and A/D converter interrupt sources are cleared when the DTC reads or writes to the prescribed register.



# Section 6 PC Break Controller (PBC)

## 6.1 Overview

The PC break controller (PBC) provides functions that simplify program debugging. Using these functions, it is easy to create a self-monitoring debugger, enabling programs to be debugged with the chip alone, without using an in-circuit emulator. Four break conditions can be set in the PBC: instruction fetch, data read, data write, and data read/write.

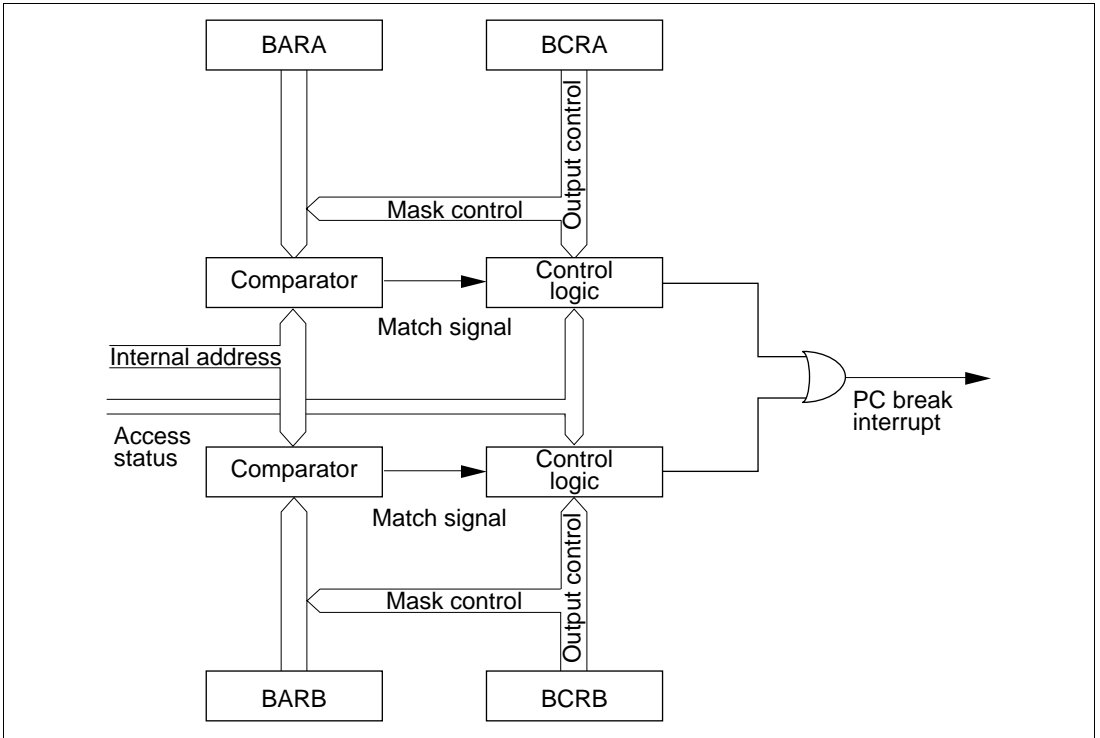
### 6.1.1 Features

The PC break controller has the following features:

- Two break channels (A and B)
- The following can be set as break compare conditions:
  - 24 address bits
    - Bit masking possible
  - Bus cycle
    - Instruction fetch
    - Data access: data read, data write, data read/write
  - Bus master
    - Either CPU or CPU/DTC can be selected
- The timing of PC break exception handling after the occurrence of a break condition is as follows:
  - Immediately before execution of the instruction fetched at the set address (instruction fetch)
  - Immediately after execution of the instruction that accesses data at the set address (data access)
- Module stop mode can be set
  - The initial setting is for PBC operation to be halted. Register access is enabled by clearing module stop mode.

## 6.1.2 Block Diagram

Figure 6-1 shows a block diagram of the PC break controller.



**Figure 6-1 Block Diagram of PC Break Controller**



### 6.1.3 Register Configuration

Table 6-1 shows the PC break controller registers.

**Table 6-1 PC Break Controller Registers**

Name	Abbreviation	R/W	Initial Value		Address* <sup>1</sup>
			Reset	Manual Reset* <sup>3</sup>	
Break address register A	BARA	R/W	H'000000	Retained	H'FE00
Break address register B	BARB	R/W	H'000000	Retained	H'FE04
Break control register A	BCRA	R/(W)* <sup>2</sup>	H'00	Retained	H'FE08
Break control register B	BCRB	R/(W)* <sup>2</sup>	H'00	Retained	H'FE09
Module stop control register C	MSTPCRC	R/W	H'FF	Retained	H'FDEA

Notes: \*1 Lower 16 bits of the address.

\*2 Only 0 can be written, for flag clearing.

\*3 Not available in the H8S/2626 Series or H8S/2623 Series.

## 6.2 Register Descriptions

### 6.2.1 Break Address Register A (BARA)

Bit	31	...	24	23	22	21	20	19	18	17	16	...	7	6	5	4	3	2	1	0
	—	...	—	BAA 23	BAA 22	BAA 21	BAA 20	BAA 19	BAA 18	BAA 17	BAA 16	...	BAA 7	BAA 6	BAA 5	BAA 4	BAA 3	BAA 2	BAA 1	BAA 0
Initial value	Unde- fined	...	Unde- fined	0	0	0	0	0	0	0	0	...	0	0	0	0	0	0	0	0
R/W	—	...	—	R/W	R/W	R/W	R/W	R/W	R/W	R/W	R/W	...	R/W	R/W	R/W	R/W	R/W	R/W	R/W	R/W

BARA is a 32-bit readable/writable register that specifies the channel A break address.

BAA23 to BAA0 are initialized to H'000000 by a reset and in hardware standby mode.

**Bits 31 to 24—Reserved:** These bits return an undefined value if read, and cannot be modified.

**Bits 23 to 0—Break Address A23 to A0 (BAA23 to BAA0):** These bits hold the channel A PC break address.

## 6.2.2 Break Address Register B (BARB)

BARB is the channel B break address register. The bit configuration is the same as for BARA.

## 6.2.3 Break Control Register A (BCRA)

Bit	7	6	5	4	3	2	1	0
	CMFA	CDA	BAMRA2	BAMRA1	BAMRA0	CSELA1	CSELA0	BIEA
Initial value	0	0	0	0	0	0	0	0
R/W	R/(W)*	R/W	R/W	R/W	R/W	R/W	R/W	R/W

Note: \* Only 0 can be written, for flag clearing.

BCRA is an 8-bit readable/writable register that controls channel A PC breaks. BCRA (1) selects the break condition bus master, (2) specifies bits subject to address comparison masking, and (3) specifies whether the break condition is applied to an instruction fetch or a data access. It also contains a condition match flag.

BCRA is initialized to H'00 by a reset and in hardware standby mode.

**Bit 7—Condition Match Flag A (CMFA):** Set to 1 when a break condition set for channel A is satisfied. This flag is not cleared to 0.

### Bit 7

CMFA	Description
0	[Clearing condition] When 0 is written to CMFA after reading CMFA = 1 (Initial value)
1	[Setting condition] When a condition set for channel A is satisfied

**Bit 6—CPU Cycle/DTC Cycle Select A (CDA):** Selects the channel A break condition bus master.

### Bit 6

CDA	Description
0	PC break is performed when CPU is bus master (Initial value)
1	PC break is performed when CPU or DTC is bus master

**Bits 5 to 3—Break Address Mask Register A2 to A0 (BAMRA2 to BAMRA0):** These bits specify which bits of the break address (BAA23–BAA0) set in BARA are to be masked.

Bit 5	Bit 4	Bit 3	Description
BAMRA2	BAMRA1	BAMRA0	
0	0	0	All BARA bits are unmasked and included in break conditions (Initial value)
		1	BAA0 (lowest bit) is masked, and not included in break conditions
	1	0	BAA1–0 (lower 2 bits) are masked, and not included in break conditions
1	0	1	BAA2–0 (lower 3 bits) are masked, and not included in break conditions
		1	BAA3–0 (lower 4 bits) are masked, and not included in break conditions
	1	1	BAA7–0 (lower 8 bits) are masked, and not included in break conditions
		0	BAA11–0 (lower 12 bits) are masked, and not included in break conditions
		1	BAA15–0 (lower 16 bits) are masked, and not included in break conditions

**Bits 2 and 1—Break Condition Select A (CSELA1, CSELA0):** These bits select an instruction fetch, data read, data write, or data read/write cycle as the channel A break condition.

Bit 2	Bit 1	Description
CSELA1	CSELA0	
0	0	Instruction fetch is used as break condition (Initial value)
	1	Data read cycle is used as break condition
1	0	Data write cycle is used as break condition
	1	Data read/write cycle is used as break condition

**Bit 0—Break Interrupt Enable A (BIEA):** Enables or disables channel A PC break interrupts.

Bit 0	Description
BIEA	
0	PC break interrupts are disabled (Initial value)
1	PC break interrupts are enabled

## 6.2.4 Break Control Register B (BCRB)

BCRB is the channel B break control register. The bit configuration is the same as for BCRA.

## 6.2.5 Module Stop Control Register C (MSTPCRC)

Bit	7	6	5	4	3	2	1	0
	MSTPC7	MSTPC6	MSTPC5	MSTPC4	MSTPC3	MSTPC2	MSTPC1	MSTPC0
Initial value	1	1	1	1	1	1	1	1
R/W	R/W	R/W	R/W	R/W	R/W	R/W	R/W	R/W

MSTPCRC is an 8-bit readable/writable register that performs module stop mode control.

When the MSTPC4 bit is set to 1, PC break controller operation is stopped at the end of the bus cycle, and module stop mode is entered. Register read/write accesses are not possible in module stop mode. For details, see sections 21A.5, 21B.5, Module Stop Mode.

MSTPCRC is initialized to H'FF by a power on reset and in hardware standby mode. It is not initialized in software standby mode.

**Bit 4—Module Stop (MSTPC4):** Specifies the PC break controller module stop mode.

### Bit 4

MSTPC4	Description
0	PC break controller module stop mode is cleared
1	PC break controller module stop mode is set (Initial value)

## 6.3 Operation

The operation flow from break condition setting to PC break interrupt exception handling is shown in sections 6.3.1, PC Break Interrupt Due to Instruction Fetch and 6.3.2, PC Break Interrupt Due to Data Access, taking the example of channel A.

### 6.3.1 PC Break Interrupt Due to Instruction Fetch

#### (1) Initial settings

- Set the break address in BARA. For a PC break caused by an instruction fetch, set the address of the first instruction byte as the break address.
- Set the break conditions in BCRA.

**BCRA bit 6 (CDA):** With a PC break caused by an instruction fetch, the bus master must be the CPU. Set 0 to select the CPU.

**BCRA bits 5–3 (BAMA2–0):** Set the address bits to be masked.

**BCRA bits 2–1 (CSELA1–0):** Set 00 to specify an instruction fetch as the break condition.

**BCRA bit 0 (BIEA):** Set to 1 to enable break interrupts.

#### (2) Satisfaction of break condition

- When the instruction at the set address is fetched, a PC break request is generated immediately before execution of the fetched instruction, and the condition match flag (CMFA) is set.

#### (3) Interrupt handling

- After priority determination by the interrupt controller, PC break interrupt exception handling is started.

### 6.3.2 PC Break Interrupt Due to Data Access

#### (1) Initial settings

- Set the break address in BARA. For a PC break caused by a data access, set the target ROM, RAM, I/O, or external address space address as the break address. Stack operations and branch address reads are included in data accesses.
- Set the break conditions in BCRA.

**BCRA bit 6 (CDA):** Select the bus master.

**BCRA bits 5–3 (BAMA2–0):** Set the address bits to be masked.

**BCRA bits 2–1 (CSELA1–0):** Set 01, 10, or 11 to specify data access as the break condition.

**BCRA bit 0 (BIEA):** Set to 1 to enable break interrupts.

## (2) Satisfaction of break condition

- After execution of the instruction that performs a data access on the set address, a PC break request is generated and the condition match flag (CMFA) is set.

## (3) Interrupt handling

- After priority determination by the interrupt controller, PC break interrupt exception handling is started.

### 6.3.3 Notes on PC Break Interrupt Handling

- (1) The PC break interrupt is shared by channels A and B. The channel from which the request was issued must be determined by the interrupt handler.
- (2) The CMFA and CMFB flags are not cleared to 0, so 0 must be written to CMFA or CMFB after first reading the flag while it is set to 1. If the flag is left set to 1, another interrupt will be requested after interrupt handling ends.
- (3) A PC break interrupt generated when the DTC is the bus master is accepted after the bus has been transferred to the CPU by the bus controller.

### 6.3.4 Operation in Transitions to Power-Down Modes

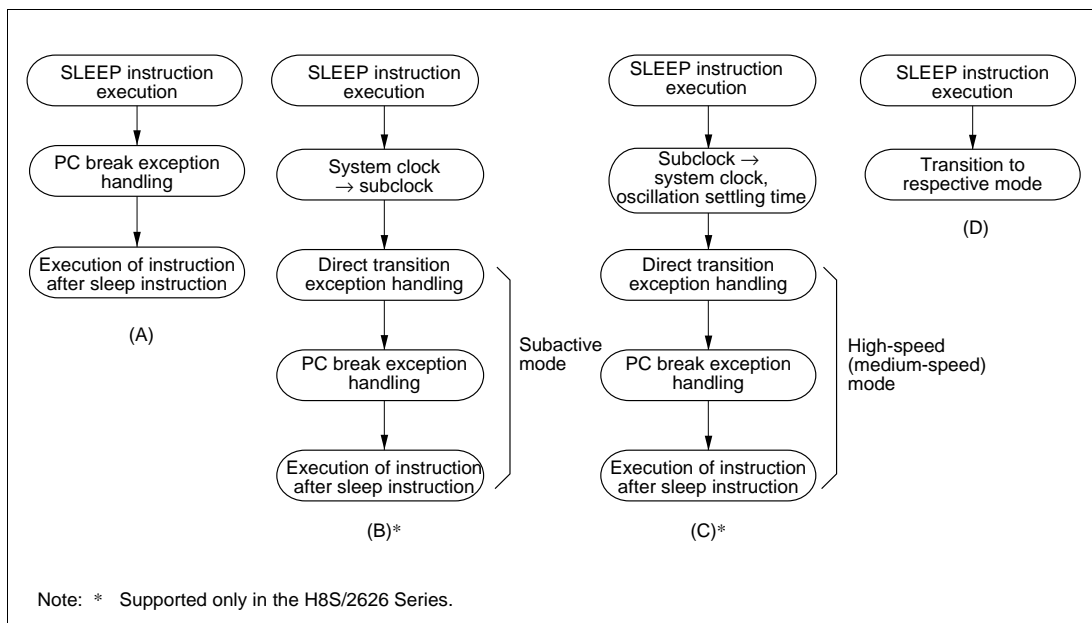
The operation when a PC break interrupt is set for an instruction fetch at the address after a SLEEP instruction is shown below.

- (1) When the SLEEP instruction causes a transition from high-speed (medium-speed) mode to sleep mode, or from subactive mode to subsleep mode:  
After execution of the SLEEP instruction, a transition is not made to sleep mode or subsleep mode, and PC break interrupt handling is executed. After execution of PC break interrupt handling, the instruction at the address after the SLEEP instruction is executed (figure 6-2 (A)).
- (2) When the SLEEP instruction causes a transition from high-speed (medium-speed) mode to subactive mode:  
After execution of the SLEEP instruction, a transition is made to subactive mode via direct transition exception handling. After the transition, PC break interrupt handling is executed, then the instruction at the address after the SLEEP instruction is executed (figure 6-2 (B)) (Supported only in the H8S/2626 Series).
- (3) When the SLEEP instruction causes a transition from subactive mode to high-speed (medium-speed) mode:

After execution of the SLEEP instruction, and following the clock oscillation settling time, a transition is made to high-speed (medium-speed) mode via direct transition exception handling. After the transition, PC break interrupt handling is executed, then the instruction at the address after the SLEEP instruction is executed (figure 6-2 (C)) (Supported only in the H8S/2626 Series).

(4) When the SLEEP instruction causes a transition to software standby mode or watch mode:

After execution of the SLEEP instruction, a transition is made to the respective mode, and PC break interrupt handling is not executed. However, the CMFA or CMFB flag is set (figure 6-2 (D)).



**Figure 6-2 Operation in Power-Down Mode Transitions**

### 6.3.5 PC Break Operation in Continuous Data Transfer

If a PC break interrupt is generated when the following operations are being performed, exception handling is executed on completion of the specified transfer.

(1) When a PC break interrupt is generated at the transfer address of an EEPMOV.B instruction:

PC break exception handling is executed after all data transfers have been completed and the EEPMOV.B instruction has ended.

(2) When a PC break interrupt is generated at a DTC transfer address:

PC break exception handling is executed after the DTC has completed the specified number of data transfers, or after data for which the DIESEL bit is set to 1 has been transferred.

### 6.3.6 When Instruction Execution is Delayed by One State

Caution is required in the following cases, as instruction execution is one state later than usual.

- (1) When the PBC is enabled (i.e. when the break interrupt enable bit is set to 1), execution of a one-word branch instruction (Bcc d:8, BSR, JSR, JMP, TRAPA, RTE, or RTS) located in on-chip ROM or RAM is always delayed by one state.
- (2) When break interruption by instruction fetch is set, the set address indicates on-chip ROM or RAM space, and that address is used for data access, the instruction that executes the data access is one state later than in normal operation.
- (3) When break interruption by instruction fetch is set and a break interrupt is generated, if the executing instruction immediately preceding the set instruction has one of the addressing modes shown below, and that address indicates on-chip ROM or RAM, and that address is used for data access, the instruction will be one state later than in normal operation.  
@ERn, @(d:16,ERn), @(d:32,ERn), @-ERn/ERn+, @aa:8, @aa:24, @aa:32, @(d:8,PC), @(d:16,PC), @@aa:8
- (4) When break interruption by instruction fetch is set and a break interrupt is generated, if the executing instruction immediately preceding the set instruction is NOP or SLEEP, or has #xx,Rn as its addressing mode, and that instruction is located in on-chip ROM or RAM, the instruction will be one state later than in normal operation.



### 6.3.7 Additional Notes

- (1) When a PC break is set for an instruction fetch at the address following a BSR, JSR, JMP, TRAPA, RTE, or RTS instruction:  
Even if the instruction at the address following a BSR, JSR, JMP, TRAPA, RTE, or RTS instruction is fetched, it is not executed, and so a PC break interrupt is not generated by the instruction fetch at the next address.
- (2) When the I bit is set by an LDC, ANDC, ORC, or XORC instruction, a PC break interrupt becomes valid two states after the end of the executing instruction. If a PC break interrupt is set for the instruction following one of these instructions, since interrupts, including NMI, are disabled for a 3-state period in the case of LDC, ANDC, ORC, and XORC, the next instruction is always executed. For details, see section 5, Interrupt Controller.
- (3) When a PC break is set for an instruction fetch at the address following a Bcc instruction:  
A PC break interrupt is generated if the instruction at the next address is executed in accordance with the branch condition, but is not generated if the instruction at the next address is not executed.
- (4) When a PC break is set for an instruction fetch at the branch destination address of a Bcc instruction:  
A PC break interrupt is generated if the instruction at the branch destination is executed in accordance with the branch condition, but is not generated if the instruction at the branch destination is not executed.



# Section 7 Bus Controller

## 7.1 Overview

The H8S/2626 Series and H8S/2623 Series have an on-chip bus controller (BSC) that manages the external address space divided into eight areas. The bus specifications, such as bus width and number of access states, can be set independently for each area, enabling multiple memories to be connected easily.

The bus controller also has a bus arbitration function, and controls the operation of the internal bus masters: the CPU and data transfer controller (DTC).

### 7.1.1 Features

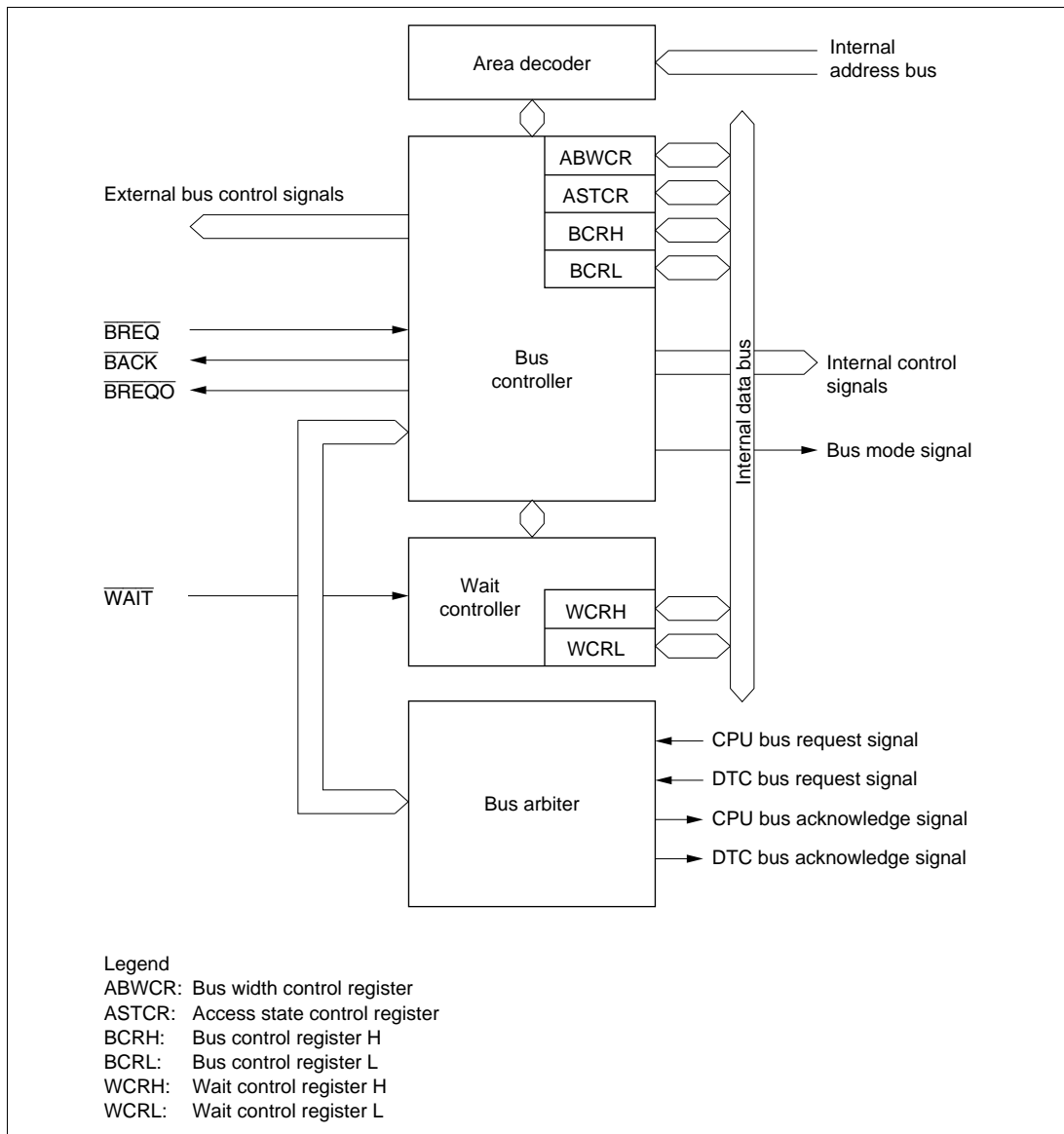
The features of the bus controller are listed below.

- Manages external address space in area units
  - Manages the external space as 8 areas of 2 Mbytes
  - Bus specifications can be set independently for each area
  - Burst ROM interface can be set
- Basic bus interface
  - 8-bit access or 16-bit access can be selected for each area
  - 2-state access or 3-state access can be selected for each area
  - Program wait states can be inserted for each area
- Burst ROM interface
  - Burst ROM interface can be set for area 0
  - Choice of 1- or 2-state burst access
- Idle cycle insertion
  - An idle cycle can be inserted in case of an external read cycle between different areas
  - An idle cycle can be inserted in case of an external write cycle immediately after an external read cycle
- Write buffer functions
  - External write cycle and internal access can be executed in parallel
- Bus arbitration function
  - Includes a bus arbiter that arbitrates bus mastership among the CPU and DTC

- Other features
  - External bus release function

### 7.1.2 Block Diagram

Figure 7-1 shows a block diagram of the bus controller.



**Figure 7-1 Block Diagram of Bus Controller**

### 7.1.3 Pin Configuration

Table 7-1 summarizes the pins of the bus controller.

**Table 7-1 Bus Controller Pins**

<b>Name</b>	<b>Symbol</b>	<b>I/O</b>	<b>Function</b>
Address strobe	$\overline{AS}$	Output	Strobe signal indicating that address output on address bus is enabled.
Read	$\overline{RD}$	Output	Strobe signal indicating that external space is being read.
High write	$\overline{HWR}$	Output	Strobe signal indicating that external space is to be written, and upper half (D15 to D8) of data bus is enabled.
Low write	$\overline{LWR}$	Output	Strobe signal indicating that external space is to be written, and lower half (D7 to D0) of data bus is enabled.
Wait	$\overline{WAIT}$	Input	Wait request signal when accessing external 3-state access space.
Bus request	$\overline{BREQ}$	Input	Request signal that releases bus to external device.
Bus request acknowledge	$\overline{BACK}$	Output	Acknowledge signal indicating that bus has been released.
Bus request output	$\overline{BREQO}$	Output	External bus request signal used when internal bus master accesses external space when external bus is released.

## 7.1.4 Register Configuration

Table 7-2 summarizes the registers of the bus controller.

**Table 7-2 Bus Controller Registers**

Name	Abbreviation	R/W	Initial Value		Address* <sup>1</sup>
			Reset	Manual Reset* <sup>3</sup>	
Bus width control register	ABWCR	R/W	H'FF/H'00* <sup>2</sup>	Retained	H'FED0
Access state control register	ASTCR	R/W	H'FF	Retained	H'FED1
Wait control register H	WCRH	R/W	H'FF	Retained	H'FED2
Wait control register L	WCRL	R/W	H'FF	Retained	H'FED3
Bus control register H	BCRH	R/W	H'D0	Retained	H'FED4
Bus control register L	BCRL	R/W	H'08	Retained	H'FED5
Pin function control register	PFCR	R/W	H'0D/H'00	Retained	H'FDEB

Notes: \*1 Lower 16 bits of the address.

\*2 Determined by the MCU operating mode.

\*3 Not available in the H8S/2623 Series.

## 7.2 Register Descriptions

### 7.2.1 Bus Width Control Register (ABWCR)

Bit	:	7	6	5	4	3	2	1	0
		ABW7	ABW6	ABW5	ABW4	ABW3	ABW2	ABW1	ABW0
Modes 5 to 7									
Initial value	:	1	1	1	1	1	1	1	1
R/W	:	R/W	R/W	R/W	R/W	R/W	R/W	R/W	R/W
Mode 4									
Initial value	:	0	0	0	0	0	0	0	0
R/W	:	R/W	R/W	R/W	R/W	R/W	R/W	R/W	R/W

ABWCR is an 8-bit readable/writable register that designates each area for either 8-bit access or 16-bit access.

ABWCR sets the data bus width for the external memory space. The bus width for on-chip memory and internal I/O registers is fixed regardless of the settings in ABWCR.

After a reset and in hardware standby mode, ABWCR is initialized to H'FF in modes 5 to 7, and to H'00 in mode 4. It is not initialized in software standby mode.

**Bits 7 to 0—Area 7 to 0 Bus Width Control (ABW7 to ABW0):** These bits select whether the corresponding area is to be designated for 8-bit access or 16-bit access.

#### Bit n

ABWn	Description
0	Area n is designated for 16-bit access
1	Area n is designated for 8-bit access

(n = 7 to 0)

## 7.2.2 Access State Control Register (ASTCR)

Bit	:	7	6	5	4	3	2	1	0
		AST7	AST6	AST5	AST4	AST3	AST2	AST1	AST0
Initial value	:	1	1	1	1	1	1	1	1
R/W	:	R/W	R/W	R/W	R/W	R/W	R/W	R/W	R/W

ASTCR is an 8-bit readable/writable register that designates each area as either a 2-state access space or a 3-state access space.

ASTCR sets the number of access states for the external memory space. The number of access states for on-chip memory and internal I/O registers is fixed regardless of the settings in ASTCR.

ASTCR is initialized to H'FF by a reset and in hardware standby mode. It is not initialized in software standby mode.

**Bits 7 to 0—Area 7 to 0 Access State Control (AST7 to AST0):** These bits select whether the corresponding area is to be designated as a 2-state access space or a 3-state access space.

Wait state insertion is enabled or disabled at the same time.

### Bit n

ASTn	Description
0	Area n is designated for 2-state access Wait state insertion in area n external space is disabled
1	Area n is designated for 3-state access Wait state insertion in area n external space is enabled

(Initial value)  
(n = 7 to 0)



### 7.2.3 Wait Control Registers H and L (WCRH, WCRL)

WCRH and WCRL are 8-bit readable/writable registers that select the number of program wait states for each area.

Program waits are not inserted in the case of on-chip memory or internal I/O registers.

WCRH and WCRL are initialized to H'FF by a reset and in hardware standby mode. They are not initialized in software standby mode.

#### (1) WCRH

Bit	:	7	6	5	4	3	2	1	0
		W71	W70	W61	W60	W51	W50	W41	W40
Initial value	:	1	1	1	1	1	1	1	1
R/W	:	R/W	R/W	R/W	R/W	R/W	R/W	R/W	R/W

**Bits 7 and 6—Area 7 Wait Control 1 and 0 (W71, W70):** These bits select the number of program wait states when area 7 in external space is accessed while the AST7 bit in ASTCR is set to 1.

Bit 7	Bit 6	Description
W71	W70	
0	0	Program wait not inserted when external space area 7 is accessed
	1	1 program wait state inserted when external space area 7 is accessed
1	0	2 program wait states inserted when external space area 7 is accessed
	1	3 program wait states inserted when external space area 7 is accessed (Initial value)

**Bits 5 and 4—Area 6 Wait Control 1 and 0 (W61, W60):** These bits select the number of program wait states when area 6 in external space is accessed while the AST6 bit in ASTCR is set to 1.

Bit 5	Bit 4	Description
W61	W60	
0	0	Program wait not inserted when external space area 6 is accessed
	1	1 program wait state inserted when external space area 6 is accessed
1	0	2 program wait states inserted when external space area 6 is accessed
	1	3 program wait states inserted when external space area 6 is accessed (Initial value)

**Bits 3 and 2—Area 5 Wait Control 1 and 0 (W51, W50):** These bits select the number of program wait states when area 5 in external space is accessed while the AST5 bit in ASTCR is set to 1.

<b>Bit 3</b>	<b>Bit 2</b>	
<b>W51</b>	<b>W50</b>	<b>Description</b>
0	0	Program wait not inserted when external space area 5 is accessed
	1	1 program wait state inserted when external space area 5 is accessed
1	0	2 program wait states inserted when external space area 5 is accessed
	1	3 program wait states inserted when external space area 5 is accessed (Initial value)

**Bits 1 and 0—Area 4 Wait Control 1 and 0 (W41, W40):** These bits select the number of program wait states when area 4 in external space is accessed while the AST4 bit in ASTCR is set to 1.

<b>Bit 1</b>	<b>Bit 0</b>	
<b>W41</b>	<b>W40</b>	<b>Description</b>
0	0	Program wait not inserted when external space area 4 is accessed
	1	1 program wait state inserted when external space area 4 is accessed
1	0	2 program wait states inserted when external space area 4 is accessed
	1	3 program wait states inserted when external space area 4 is accessed (Initial value)

## (2) WCRL

Bit	:	7	6	5	4	3	2	1	0
		W31	W30	W21	W20	W11	W10	W01	W00
Initial value	:	1	1	1	1	1	1	1	1
R/W	:	R/W	R/W	R/W	R/W	R/W	R/W	R/W	R/W

**Bits 7 and 6—Area 3 Wait Control 1 and 0 (W31, W30):** These bits select the number of program wait states when area 3 in external space is accessed while the AST3 bit in ASTCR is set to 1.

Bit 7	Bit 6	Description
W31	W30	
0	0	Program wait not inserted when external space area 3 is accessed
	1	1 program wait state inserted when external space area 3 is accessed
1	0	2 program wait states inserted when external space area 3 is accessed
	1	3 program wait states inserted when external space area 3 is accessed (Initial value)

**Bits 5 and 4—Area 2 Wait Control 1 and 0 (W21, W20):** These bits select the number of program wait states when area 2 in external space is accessed while the AST2 bit in ASTCR is set to 1.

Bit 5	Bit 4	Description
W21	W20	
0	0	Program wait not inserted when external space area 2 is accessed
	1	1 program wait state inserted when external space area 2 is accessed
1	0	2 program wait states inserted when external space area 2 is accessed
	1	3 program wait states inserted when external space area 2 is accessed (Initial value)

**Bits 3 and 2—Area 1 Wait Control 1 and 0 (W11, W10):** These bits select the number of program wait states when area 1 in external space is accessed while the AST1 bit in ASTCR is set to 1.

Bit 3	Bit 2	
W11	W10	Description
0	0	Program wait not inserted when external space area 1 is accessed
	1	1 program wait state inserted when external space area 1 is accessed
1	0	2 program wait states inserted when external space area 1 is accessed
	1	3 program wait states inserted when external space area 1 is accessed (Initial value)

**Bits 1 and 0—Area 0 Wait Control 1 and 0 (W01, W00):** These bits select the number of program wait states when area 0 in external space is accessed while the AST0 bit in ASTCR is set to 1.

Bit 1	Bit 0	
W01	W00	Description
0	0	Program wait not inserted when external space area 0 is accessed
	1	1 program wait state inserted when external space area 0 is accessed
1	0	2 program wait states inserted when external space area 0 is accessed
	1	3 program wait states inserted when external space area 0 is accessed (Initial value)

## 7.2.4 Bus Control Register H (BCRH)

Bit	:	7	6	5	4	3	2	1	0
		ICIS1	ICIS0	BRSTRM	BRSTS1	BRSTS0	—	—	—
Initial value	:	1	1	0	1	0	0	0	0
R/W	:	R/W	R/W	R/W	R/W	R/W	R/W	R/W	R/W

BCRH is an 8-bit readable/writable register that selects enabling or disabling of idle cycle insertion, and the memory interface for area 0.

BCRH is initialized to H'D0 by a reset and in hardware standby mode. It is not initialized in software standby mode.

**Bit 7—Idle Cycle Insert 1 (ICIS1):** Selects whether or not one idle cycle state is to be inserted between bus cycles when successive external read cycles are performed in different areas.

### Bit 7

ICIS1	Description
0	Idle cycle not inserted in case of successive external read cycles in different areas
1	Idle cycle inserted in case of successive external read cycles in different areas (Initial value)

**Bit 6—Idle Cycle Insert 0 (ICIS0):** Selects whether or not one idle cycle state is to be inserted between bus cycles when successive external read and external write cycles are performed .

### Bit 6

ICIS0	Description
0	Idle cycle not inserted in case of successive external read and external write cycles
1	Idle cycle inserted in case of successive external read and external write cycles (Initial value)

**Bit 5—Burst ROM Enable (BRSTRM):** Selects whether area 0 is used as a burst ROM interface.

### Bit 5

BRSTRM	Description
0	Area 0 is basic bus interface (Initial value)
1	Area 0 is burst ROM interface

**Bit 4—Burst Cycle Select 1 (BRSTS1):** Selects the number of burst cycles for the burst ROM interface.

**Bit 4**

<b>BRSTS1</b>	<b>Description</b>
0	Burst cycle comprises 1 state
1	Burst cycle comprises 2 states (Initial value)

**Bit 3—Burst Cycle Select 0 (BRSTS0):** Selects the number of words that can be accessed in a burst ROM interface burst access.

**Bit 3**

<b>BRSTS0</b>	<b>Description</b>
0	Max. 4 words in burst access (Initial value)
1	Max. 8 words in burst access

**Bits 2 to 0—Reserved:** Only 0 should be written to these bits.

## 7.2.5 Bus Control Register L (BCRL)

Bit	:	7	6	5	4	3	2	1	0
		BRLE	BREQOE	—	—	—	—	WDBE	WAITE
Initial value	:	0	0	0	0	1	0	0	0
R/W	:	R/W	R/W	—	R/W	R/W	R/W	R/W	R/W

BCRL is an 8-bit readable/writable register that performs selection of the external bus-released state protocol, enabling or disabling of the write data buffer function, and enabling or disabling of  $\overline{\text{WAIT}}$  pin input.

BCRL is initialized to H'08 by a reset and in hardware standby mode. It is not initialized in software standby mode.

**Bit 7—Bus Release Enable (BRLE):** Enables or disables external bus release.

### Bit 7

BRLE	Description
0	External bus release is disabled. $\overline{\text{BREQ}}$ , $\overline{\text{BACK}}$ , and $\overline{\text{BREQO}}$ can be used as I/O ports. (Initial value)
1	External bus release is enabled.

**Bit 6—BREQO Pin Enable (BREQOE):** Outputs a signal that requests the external bus master to drop the bus request signal ( $\overline{\text{BREQ}}$ ) in the external bus release state, when an internal bus master performs an external space access, or when a refresh request is generated.

### Bit 6

BREQOE	Description
0	$\overline{\text{BREQO}}$ output disabled. $\overline{\text{BREQO}}$ can be used as I/O port. (Initial value)
1	$\overline{\text{BREQO}}$ output enabled.

**Bit 5—Reserved:** This bit cannot be modified and is always read as 0.

**Bit 4—Reserved:** Only 0 should be written to this bit.

**Bit 3—Reserved:** Only 1 should be written to this bit.

**Bit 2—Reserved:** Only 0 should be written to this bit.

**Bit 1—Write Data Buffer Enable (WDBE):** Selects whether or not the write buffer function is used for an external write cycle.

**Bit 1**

WDBE	Description
0	Write data buffer function not used (Initial value)
1	Write data buffer function used

**Bit 0—WAIT Pin Enable (WAITE):** Selects enabling or disabling of wait input by the  $\overline{\text{WAIT}}$  pin.

**Bit 0**

WAITE	Description
0	Wait input by $\overline{\text{WAIT}}$ pin disabled. $\overline{\text{WAIT}}$ pin can be used as I/O port. (Initial value)
1	Wait input by $\overline{\text{WAIT}}$ pin enabled

**7.2.6 Pin Function Control Register (PFCR)**

Bit	:	7	6	5	4	3	2	1	0
		—	—	BUZZE	—	AE3	AE2	AE1	AE0
Initial value	:	0	0	0	0	1/0	1/0	0	1/0
R/W	:	R/W	R/W	R/W	R/W	R/W	R/W	R/W	R/W

PFCR is an 8-bit readable/writable register that performs address output control in external expanded mode.

PFCR is initialized to H'0D/H'00 by a reset and in hardware standby mode. It retains its previous state in software standby mode.

**Bits 7 and 6—Reserved:** Only 0 should be written to these bits.

**Bit 5—BUZZ Output Enable (BUZZE):** Enables or disables BUZZ output from the PF1 pin. For details, see section 12.2.4, Pin Function Control Register (PFCR).

**Bit 4—Reserved:** Only 0 should be written to this bit.

**Bits 3 to 0—Address Output Enable 3 to 0 (AE3 to AE0):** These bits select enabling or disabling of address outputs A8 to A23 in ROMless expanded mode and modes with ROM. When a pin is enabled for address output, the address is output regardless of the corresponding DDR setting. When a pin is disabled for address output, it becomes an output port when the corresponding DDR bit is set to 1.



Bit 3	Bit 2	Bit 1	Bit 0	Description	
AE3	AE2	AE1	AE0		
0	0	0	0	A8–A23 address output disabled (Initial value*)	
			1	A8 address output enabled; A9–A23 address output disabled	
		1	0	A8, A9 address output enabled; A10–A23 address output disabled	
			1	A8–A10 address output enabled; A11–A23 address output disabled	
	1	0	0	A8–A11 address output enabled; A12–A23 address output disabled	
			1	A8–A12 address output enabled; A13–A23 address output disabled	
		1	0	A8–A13 address output enabled; A14–A23 address output disabled	
			1	A8–A14 address output enabled; A15–A23 address output disabled	
	1	0	0	0	A8–A15 address output enabled; A16–A23 address output disabled
				1	A8–A16 address output enabled; A17–A23 address output disabled
			1	0	A8–A17 address output enabled; A18–A23 address output disabled
				1	A8–A18 address output enabled; A19–A23 address output disabled
1		0	0	A8–A19 address output enabled; A20–A23 address output disabled	
			1	A8–A20 address output enabled; A21–A23 address output disabled (Initial value*)	
		1	0	A8–A21 address output enabled; A22, A23 address output disabled	
			1	A8–A23 address output enabled	

Note: \* In expanded mode with ROM, bits AE3 to AE0 are initialized to B'0000.

In ROMless expanded mode, bits AE3 to AE0 are initialized to B'1101.

Address pins A0 to A7 are made address outputs by setting the corresponding DDR bits to 1.

## 7.3 Overview of Bus Control

### 7.3.1 Area Partitioning

In advanced mode, the bus controller partitions the 16 Mbytes address space into eight areas, 0 to 7, in 2-Mbyte units, and performs bus control for external space in area units. In normal mode\*, it controls a 64-kbyte address space comprising part of area 0. Figure 7-2 shows an outline of the memory map.

Note: \* Not available in the H8S/2626 Series or H8S/2623 Series.

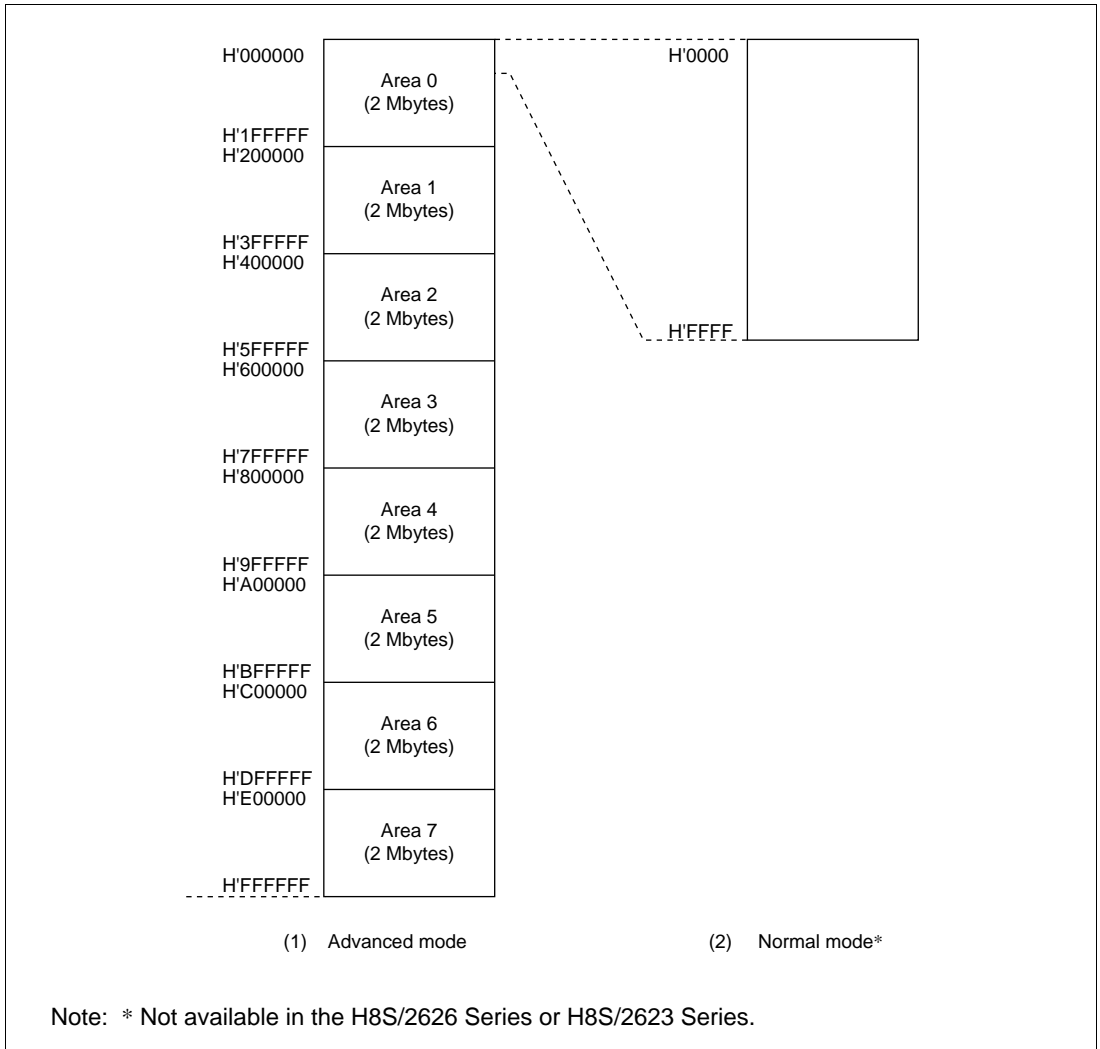


Figure 7-2 Overview of Area Partitioning

### 7.3.2 Bus Specifications

The external space bus specifications consist of three elements: bus width, number of access states, and number of program wait states.

The bus width and number of access states for on-chip memory and internal I/O registers are fixed, and are not affected by the bus controller.

**(1) Bus Width:** A bus width of 8 or 16 bits can be selected with ADWCR. An area for which an 8-bit bus is selected functions as an 8-bit access space, and an area for which a 16-bit bus is selected functions as a 16-bit access space.

If all areas are designated for 8-bit access, 8-bit bus mode is set; if any area is designated for 16-bit access, 16-bit bus mode is set. When the burst ROM interface is designated, 16-bit bus mode is always set.

**(2) Number of Access States:** Two or three access states can be selected with ASTCR. An area for which 2-state access is selected functions as a 2-state access space, and an area for which 3-state access is selected functions as a 3-state access space.

With the burst ROM interface, the number of access states may be determined without regard to ASTCR.

When 2-state access space is designated, wait insertion is disabled.

**(3) Number of Program Wait States:** When 3-state access space is designated by ASTCR, the number of program wait states to be inserted automatically is selected with WCRH and WCRL. From 0 to 3 program wait states can be selected.

Table 7-3 shows the bus specifications for each basic bus interface area.

**Table 7-3 Bus Specifications for Each Area (Basic Bus Interface)**

<b>ABWCR</b>	<b>ASTCR</b>	<b>WCRH, WCRL</b>		<b>Bus Specifications (Basic Bus Interface)</b>		
<b>ABWn</b>	<b>ASTn</b>	<b>Wn1</b>	<b>Wn0</b>	<b>Bus Width</b>	<b>Access States</b>	<b>Program Wait States</b>
0	0	—	—	16	2	0
	1	0	0		3	0
			1		1	
			0		2	
			1		3	
1	0	—	—	8	2	0
	1	0	0		3	0
			1		1	
			0		2	
			1		3	

### 7.3.3 Memory Interfaces

The H8S/2626 Series and H8S/2623 Series memory interfaces comprise a basic bus interface that allows direct connection of ROM, SRAM, and so on, and a burst ROM interface that allows direct connection of burst ROM. The memory interface can be selected independently for each area.

An area for which the basic bus interface is designated functions as normal space, and an area for which the burst ROM interface is designated functions as burst ROM space.

### 7.3.4 Interface Specifications for Each Area

The initial state of each area is basic bus interface, 3-state access space. The initial bus width is selected according to the operating mode. The bus specifications described here cover basic items only, and the sections on each memory interface (7.4, Basic Bus Interface, and 7.5, Burst ROM Interface) should be referred to for further details.

**Area 0:** Area 0 includes on-chip ROM, and in ROM-disabled expansion mode, all of area 0 is external space. In ROM-enabled expansion mode, the space excluding on-chip ROM is external space.

Either basic bus interface or burst ROM interface can be selected for area 0.

**Areas 1 to 6:** In external expansion mode, all of areas 1 to 6 is external space.

Only the basic bus interface can be used for areas 1 to 6.

**Area 7:** Area 7 includes the on-chip RAM and internal I/O registers. In external expansion mode, the space excluding the on-chip RAM and internal I/O registers is external space. The on-chip RAM is enabled when the RAME bit in the system control register (SYSCR) is set to 1; when the RAME bit is cleared to 0, the on-chip RAM is disabled and the corresponding space becomes external space.

Only the basic bus interface can be used for the area 7.

## 7.4 Basic Bus Interface

### 7.4.1 Overview

The basic bus interface enables direct connection of ROM, SRAM, and so on.

The bus specifications can be selected with ABWCR, ASTCR, WCRH, and WCRL (see table 7-3).

### 7.4.2 Data Size and Data Alignment

Data sizes for the CPU and other internal bus masters are byte, word, and longword. The bus controller has a data alignment function, and when accessing external space, controls whether the upper data bus (D15 to D8) or lower data bus (D7 to D0) is used according to the bus specifications for the area being accessed (8-bit access space or 16-bit access space) and the data size.

**8-Bit Access Space:** Figure 7-3 illustrates data alignment control for the 8-bit access space. With the 8-bit access space, the upper data bus (D15 to D8) is always used for accesses. The amount of data that can be accessed at one time is one byte: a word transfer instruction is performed as two byte accesses, and a longword transfer instruction, as four byte accesses.

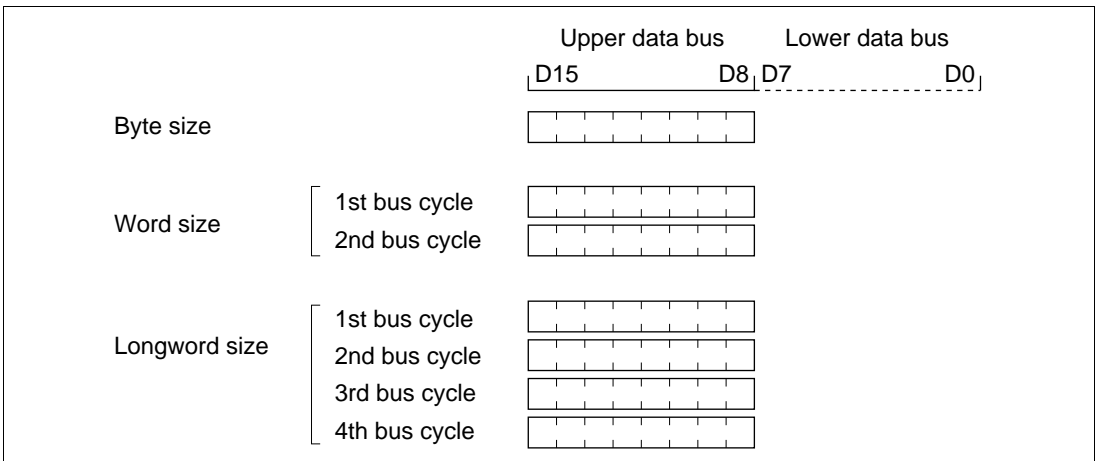
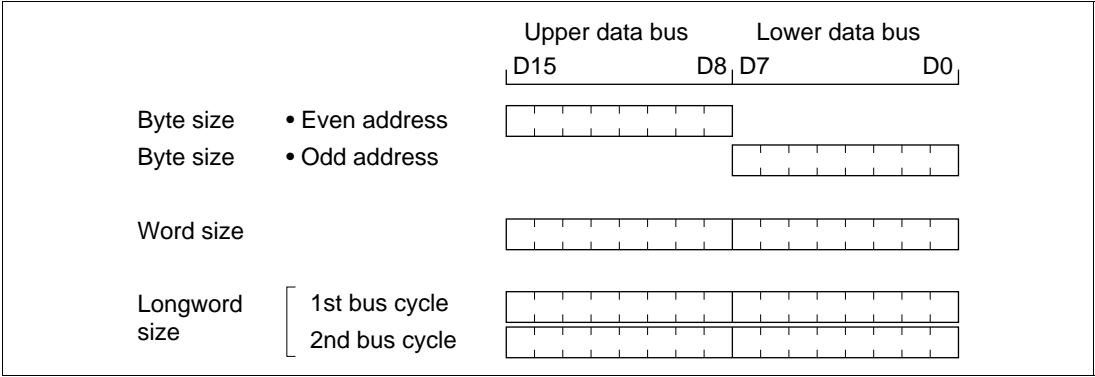


Figure 7-3 Access Sizes and Data Alignment Control (8-Bit Access Space)

**16-Bit Access Space:** Figure 7-4 illustrates data alignment control for the 16-bit access space. With the 16-bit access space, the upper data bus (D15 to D8) and lower data bus (D7 to D0) are used for accesses. The amount of data that can be accessed at one time is one byte or one word, and a longword transfer instruction is executed as two word transfer instructions.

In byte access, whether the upper or lower data bus is used is determined by whether the address is even or odd. The upper data bus is used for an even address, and the lower data bus for an odd address.



**Figure 7-4 Access Sizes and Data Alignment Control (16-Bit Access Space)**

### 7.4.3 Valid Strobes

Table 7-4 shows the data buses used and valid strobes for the access spaces.

In a read, the  $\overline{RD}$  signal is valid without discrimination between the upper and lower halves of the data bus.

In a write, the  $\overline{HWR}$  signal is valid for the upper half of the data bus, and the  $\overline{LWR}$  signal for the lower half.

**Table 7-4 Data Buses Used and Valid Strobes**

Area	Access Size	Read/Write	Address	Valid Strobe	Upper Data Bus (D15 to D8)	Lower data bus (D7 to D0)
8-bit access space	Byte	Read	—	$\overline{RD}$	Valid	Invalid
		Write	—	$\overline{HWR}$		Hi-Z
16-bit access space	Byte	Read	Even	$\overline{RD}$	Valid	Invalid
			Odd		Invalid	Valid
	Write	Even	$\overline{HWR}$	Valid	Hi-Z	
		Odd	$\overline{LWR}$	Hi-Z	Valid	
Word	Read	—	$\overline{RD}$	Valid	Valid	
		Write	—	$\overline{HWR}, \overline{LWR}$	Valid	Valid

Notes: Hi-Z: High impedance.

Invalid: Input state; input value is ignored.



## 7.4.4 Basic Timing

**8-Bit 2-State Access Space:** Figure 7-5 shows the bus timing for an 8-bit 2-state access space. When an 8-bit access space is accessed, the upper half (D15 to D8) of the data bus is used.

The  $\overline{\text{LWR}}$  pin is fixed high. Wait states cannot be inserted.

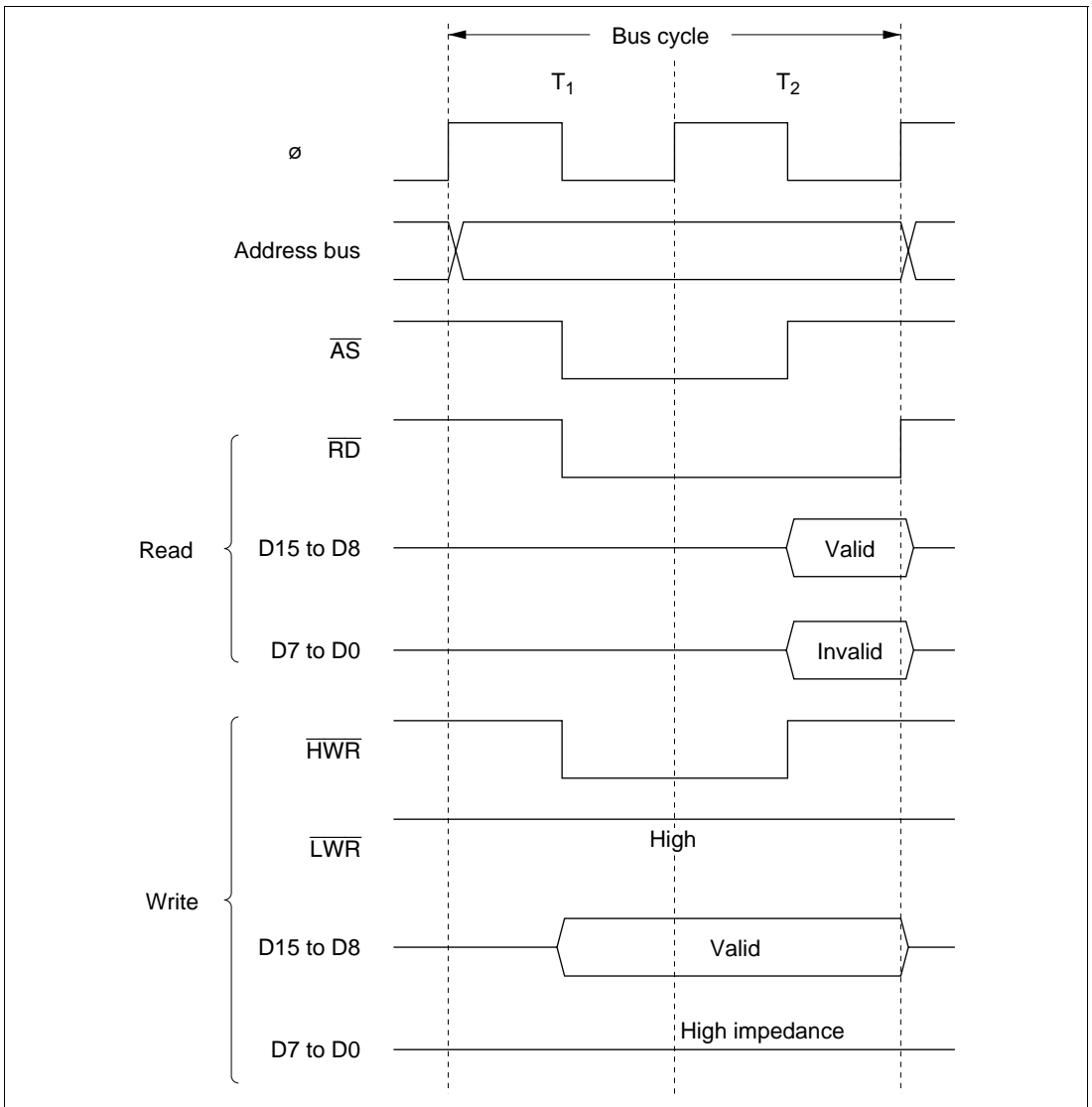
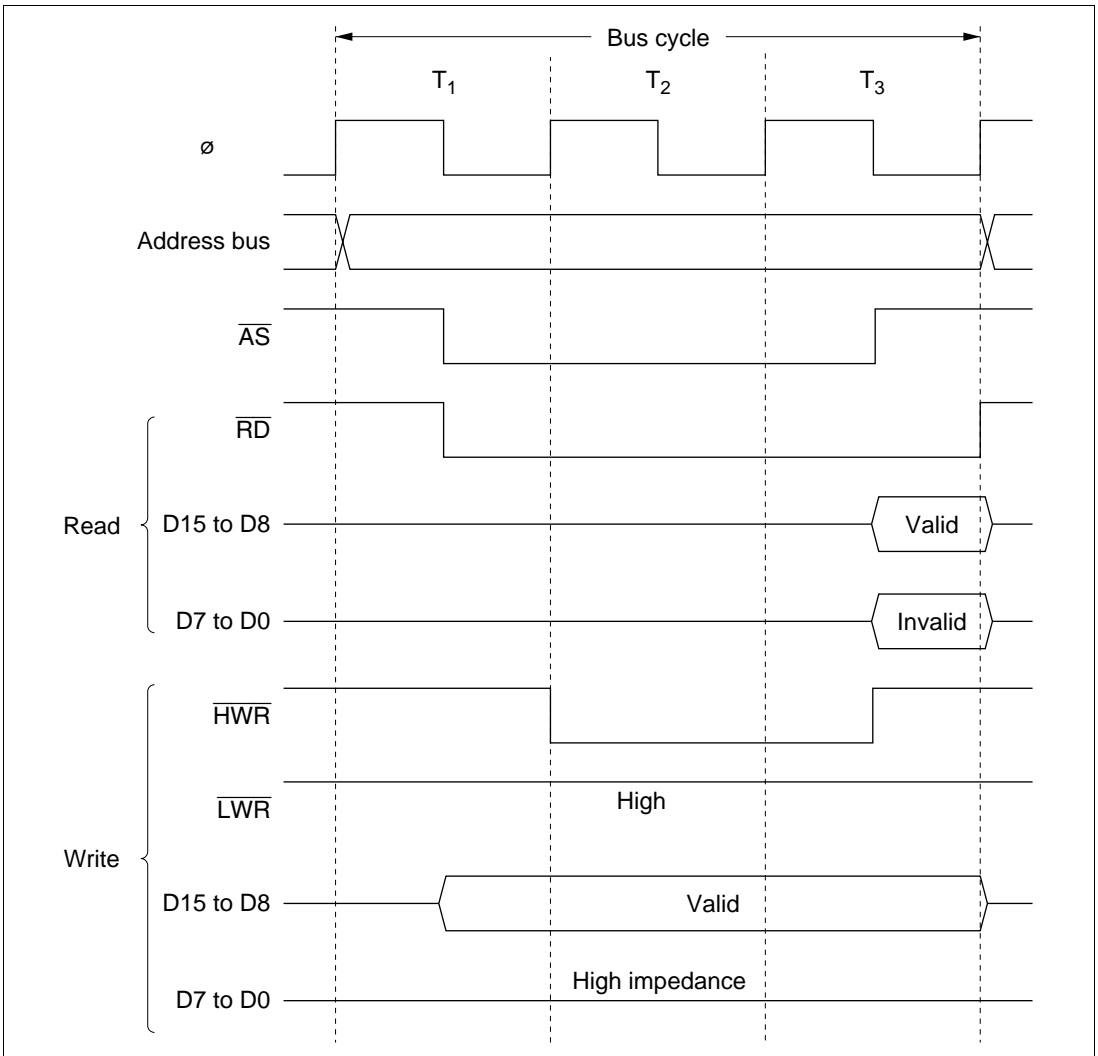


Figure 7-5 Bus Timing for 8-Bit 2-State Access Space

**8-Bit 3-State Access Space:** Figure 7-6 shows the bus timing for an 8-bit 3-state access space. When an 8-bit access space is accessed, the upper half (D15 to D8) of the data bus is used.

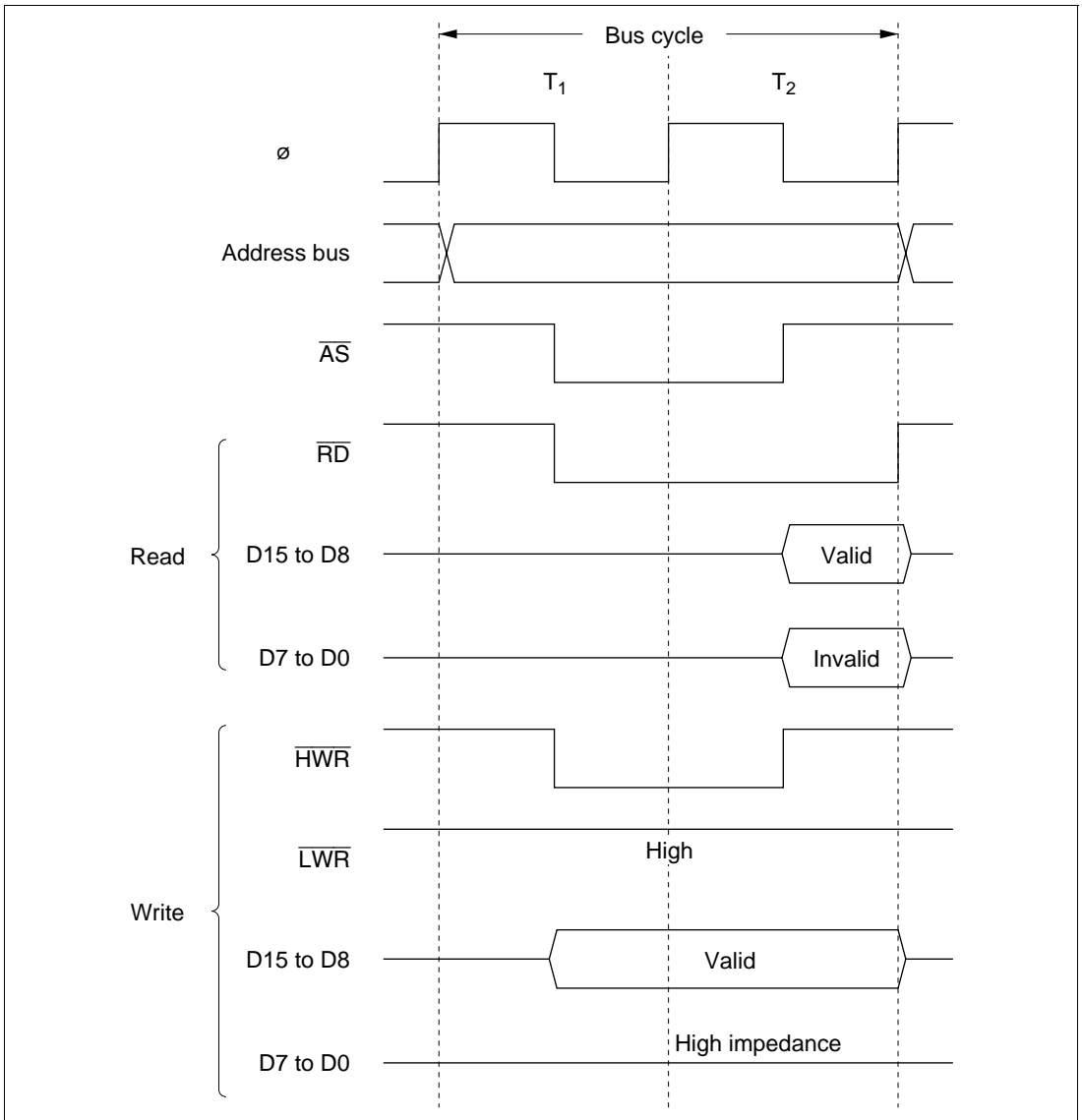
The  $\overline{\text{LWR}}$  pin is fixed high. Wait states can be inserted.



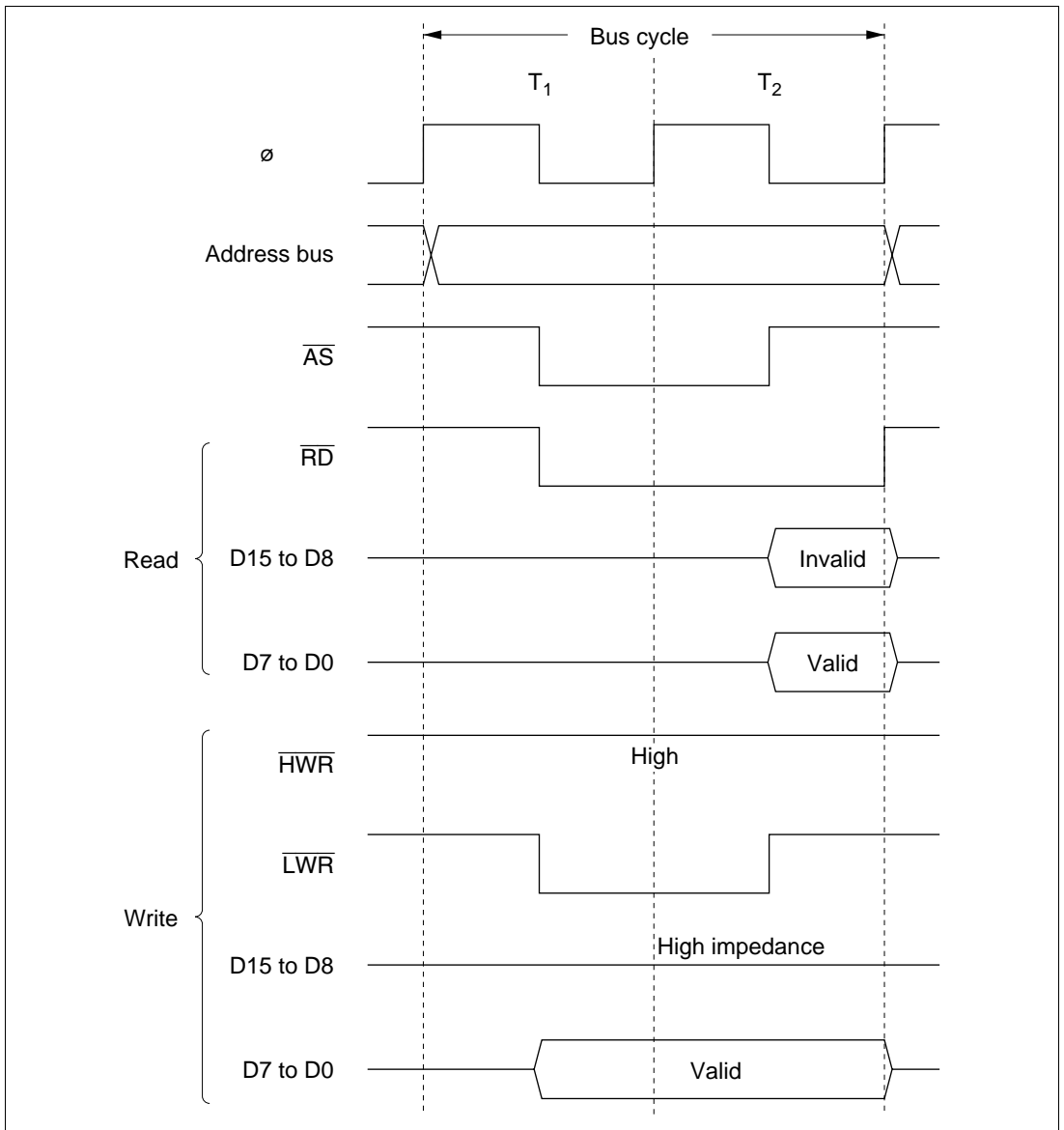
**Figure 7-6 Bus Timing for 8-Bit 3-State Access Space**

**16-Bit 2-State Access Space:** Figures 7-7 to 7-9 show bus timings for a 16-bit 2-state access space. When a 16-bit access space is accessed, the upper half (D15 to D8) of the data bus is used for the even address, and the lower half (D7 to D0) for the odd address.

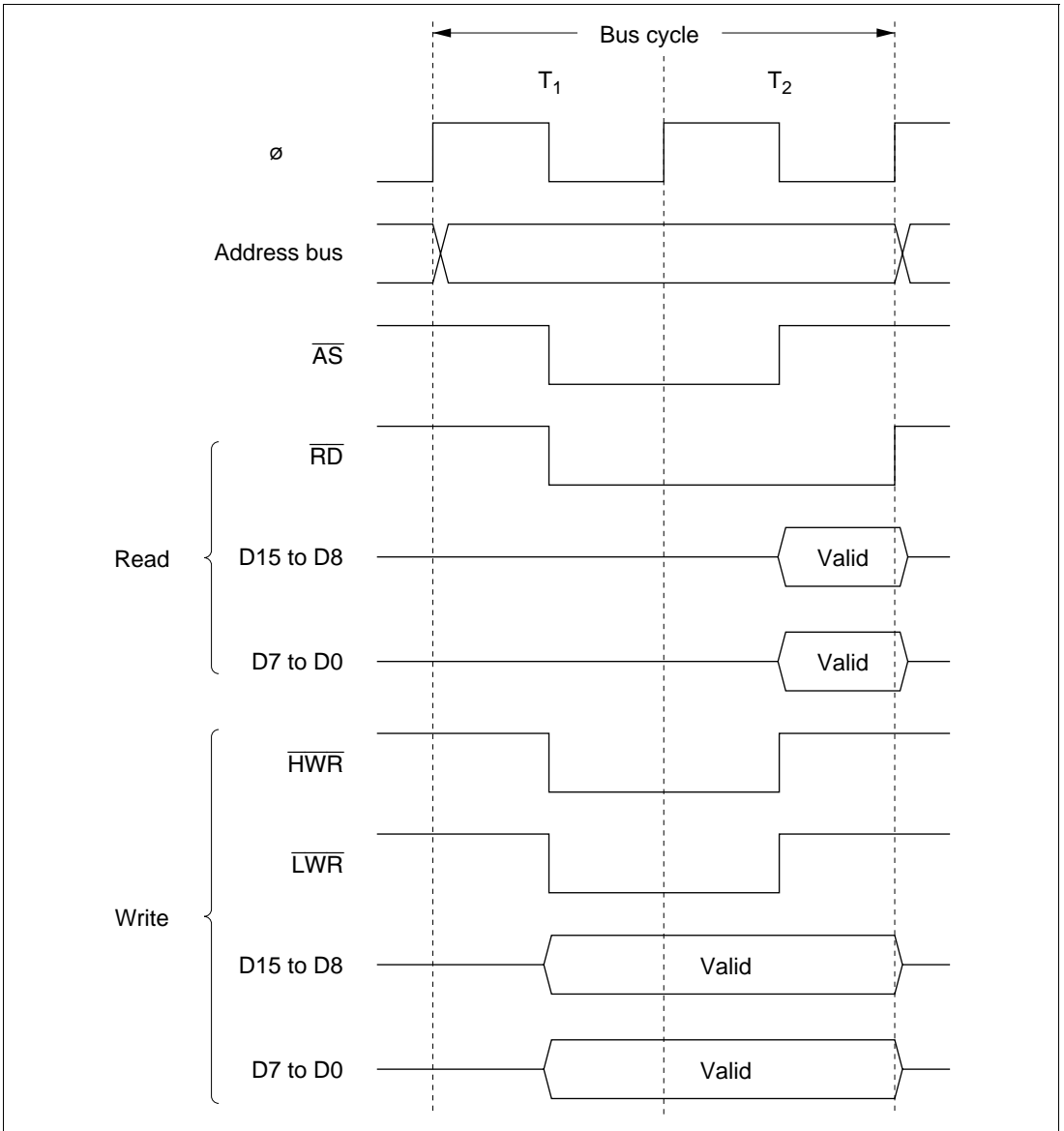
Wait states cannot be inserted.



**Figure 7-7 Bus Timing for 16-Bit 2-State Access Space (1) (Even Address Byte Access)**



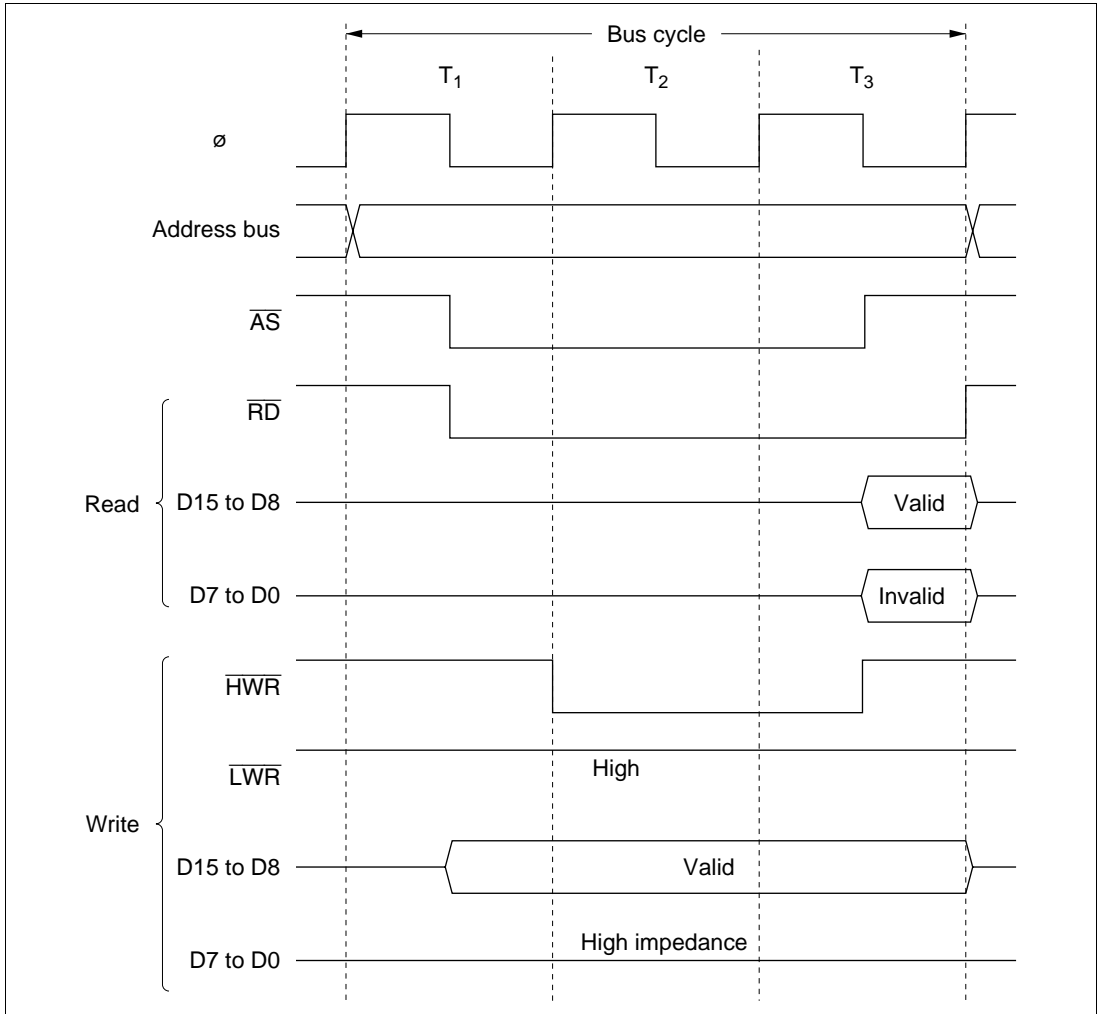
**Figure 7-8 Bus Timing for 16-Bit 2-State Access Space (2) (Odd Address Byte Access)**



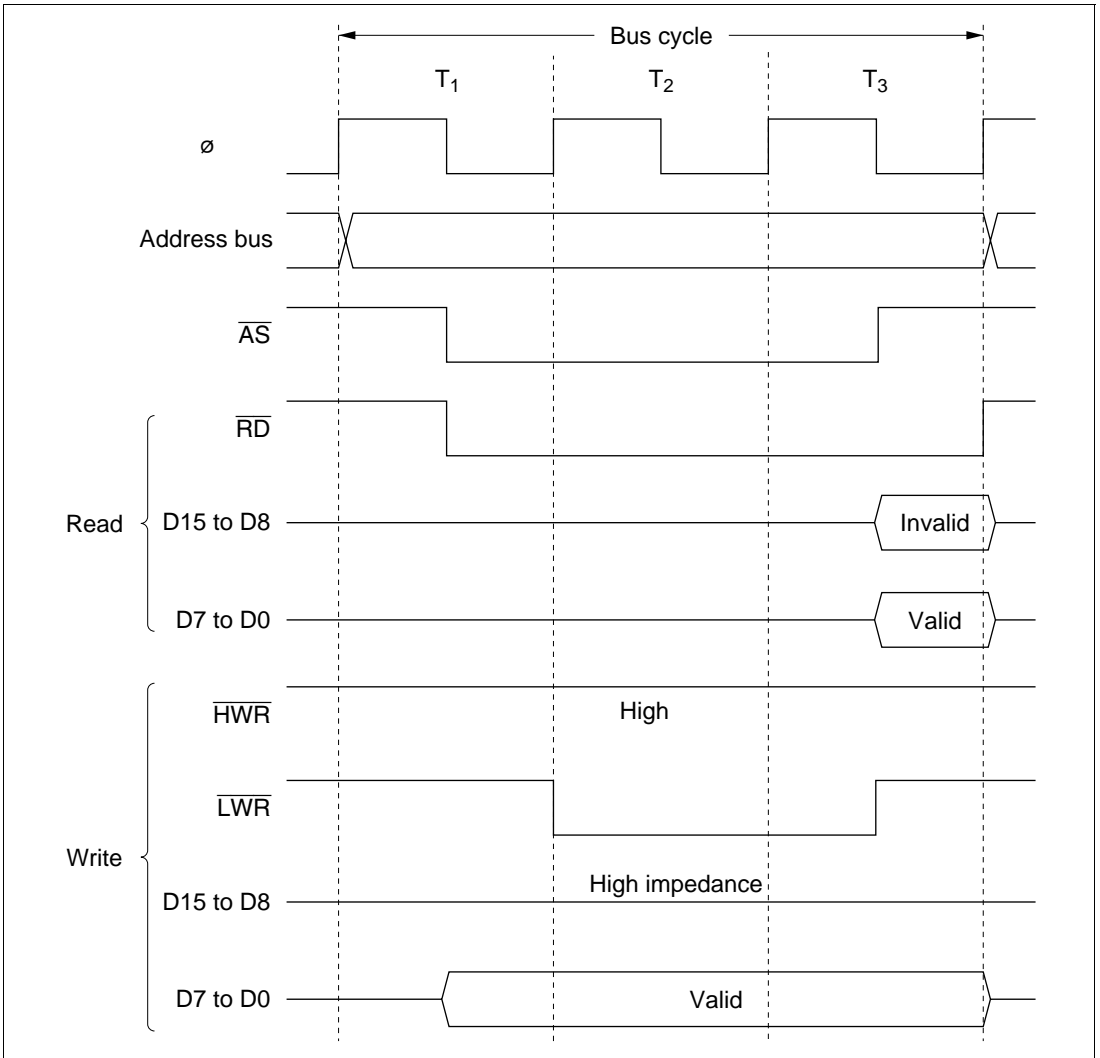
**Figure 7-9 Bus Timing for 16-Bit 2-State Access Space (3) (Word Access)**

**16-Bit 3-State Access Space:** Figures 7-10 to 7-12 show bus timings for a 16-bit 3-state access space. When a 16-bit access space is accessed, the upper half (D15 to D8) of the data bus is used for the even address, and the lower half (D7 to D0) for the odd address.

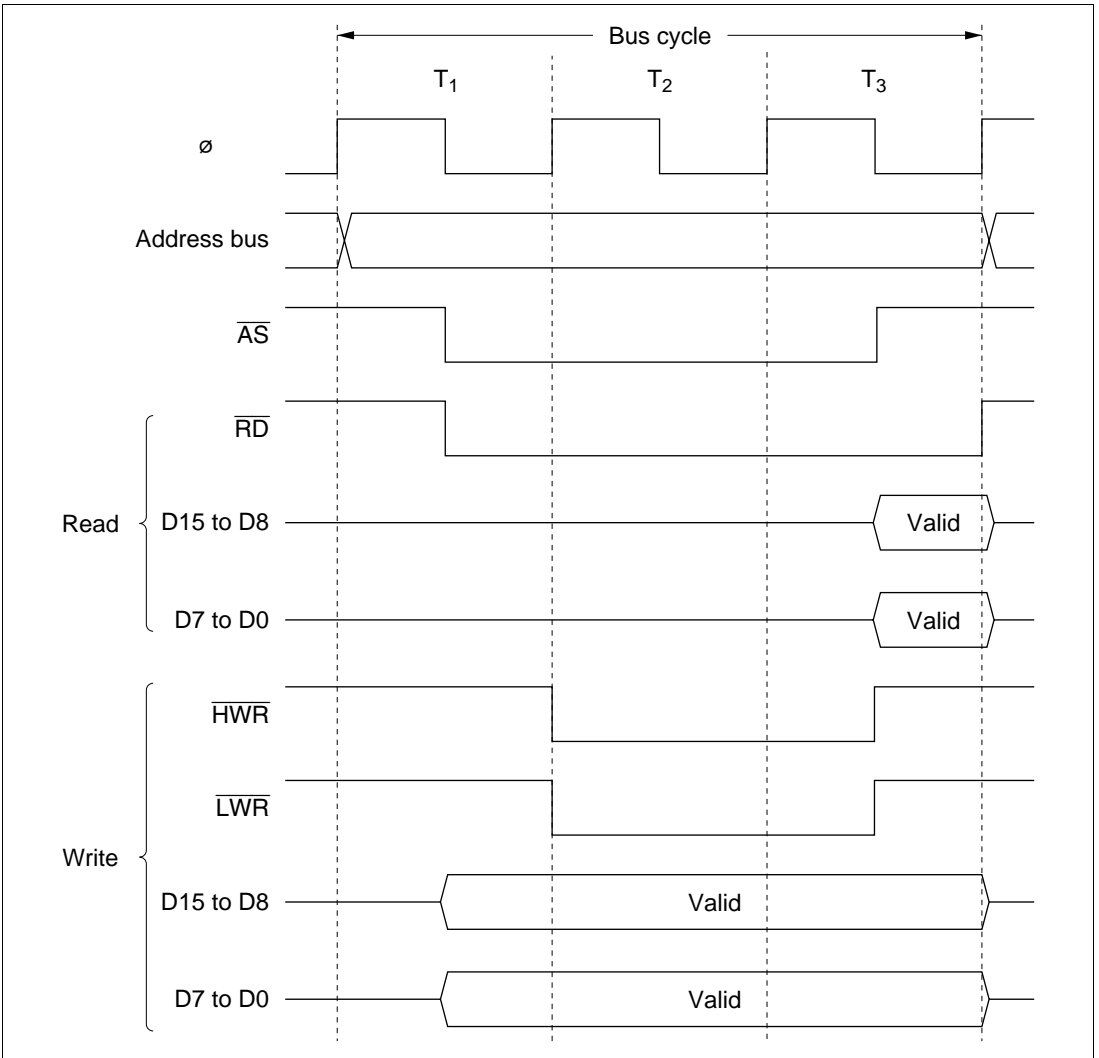
Wait states can be inserted.



**Figure 7-10 Bus Timing for 16-Bit 3-State Access Space (1) (Even Address Byte Access)**



**Figure 7-11 Bus Timing for 16-Bit 3-State Access Space (2) (Odd Address Byte Access)**



**Figure 7-12 Bus Timing for 16-Bit 3-State Access Space (3) (Word Access)**



## 7.4.5 Wait Control

When accessing external space, the H8S/2626 Series or H8S/2623 Series can extend the bus cycle by inserting one or more wait states ( $T_w$ ). There are two ways of inserting wait states: program wait insertion and pin wait insertion using the  $\overline{\text{WAIT}}$  pin.

### Program Wait Insertion

From 0 to 3 wait states can be inserted automatically between the  $T_2$  state and  $T_3$  state on an individual area basis in 3-state access space, according to the settings of WCRH and WCRL.

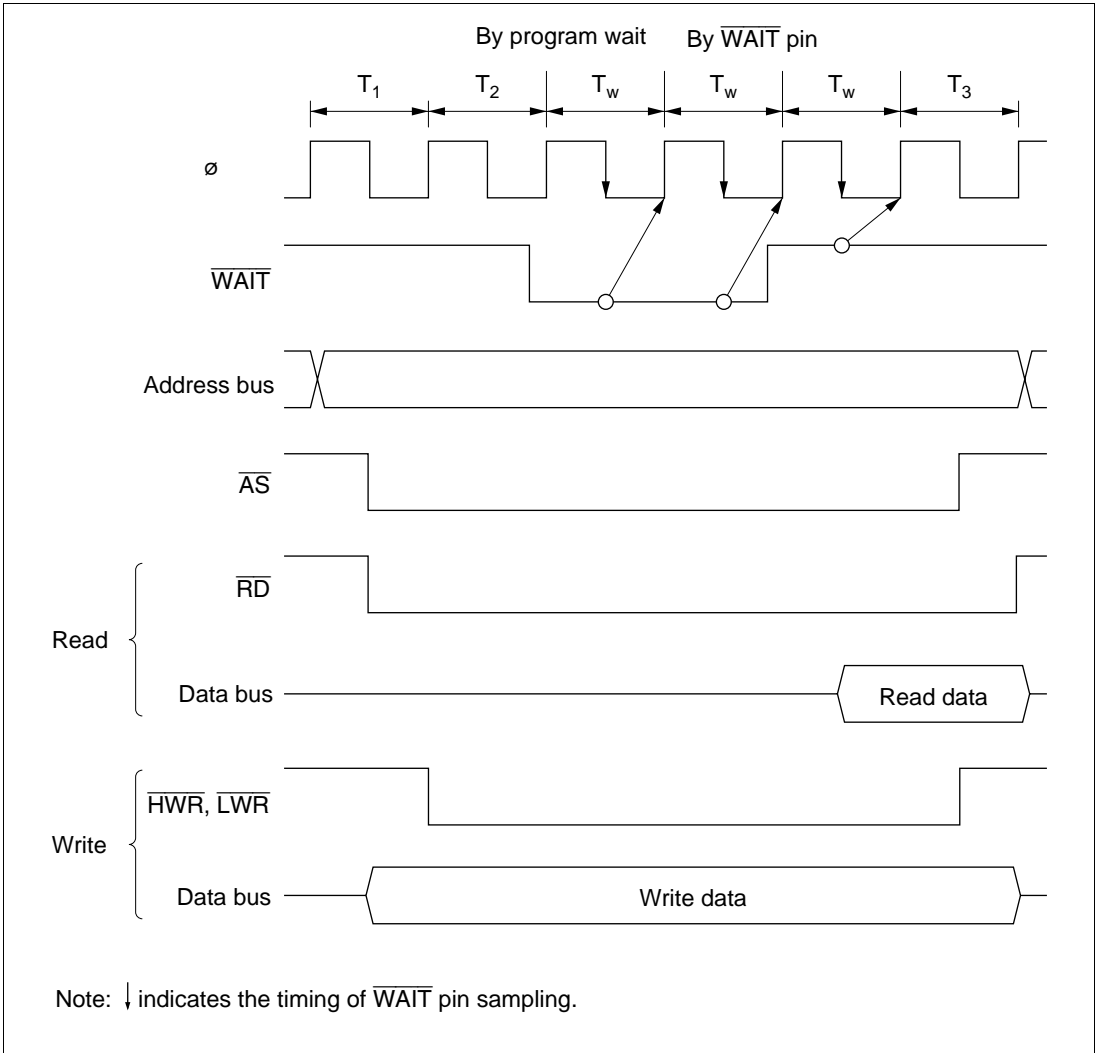
### Pin Wait Insertion

Setting the WAITE bit in BCRL to 1 enables wait insertion by means of the  $\overline{\text{WAIT}}$  pin. Program wait insertion is first carried out according to the settings in WCRH and WCRL. Then, if the  $\overline{\text{WAIT}}$  pin is low at the falling edge of  $\phi$  in the last  $T_2$  or  $T_w$  state, a  $T_w$  state is inserted. If the  $\overline{\text{WAIT}}$  pin is held low,  $T_w$  states are inserted until it goes high.

This is useful when inserting four or more  $T_w$  states, or when changing the number of  $T_w$  states for different external devices.

The WAITE bit setting applies to all areas.

Figure 7-13 shows an example of wait state insertion timing.



**Figure 7-13 Example of Wait State Insertion Timing**

The settings after a reset are: 3-state access, 3 program wait state insertion, and WAIT input disabled.

## 7.5 Burst ROM Interface

### 7.5.1 Overview

With the H8S/2626 Series and H8S/2623 Series, external space area 0 can be designated as burst ROM space, and burst ROM interfacing can be performed. The burst ROM space interface enables 16-bit configuration ROM with burst access capability to be accessed at high speed.

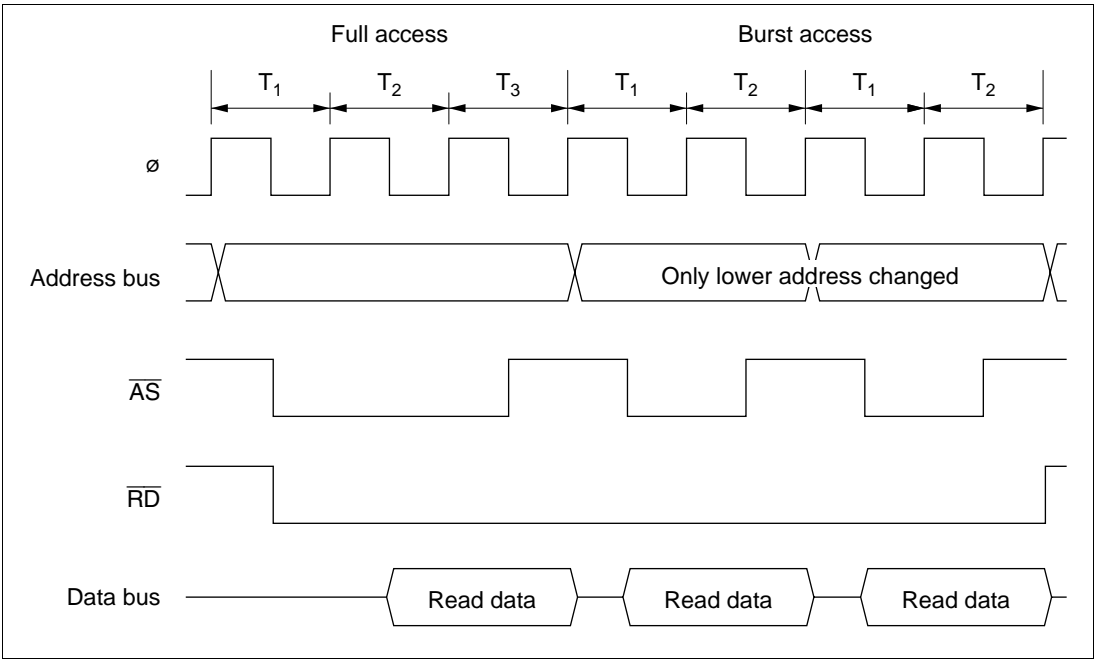
Area 0 can be designated as burst ROM space by means of the BRSTRM bit in BCRH. Consecutive burst accesses of a maximum of 4 words or 8 words can be performed for CPU instruction fetches only. One or two states can be selected for burst access.

### 7.5.2 Basic Timing

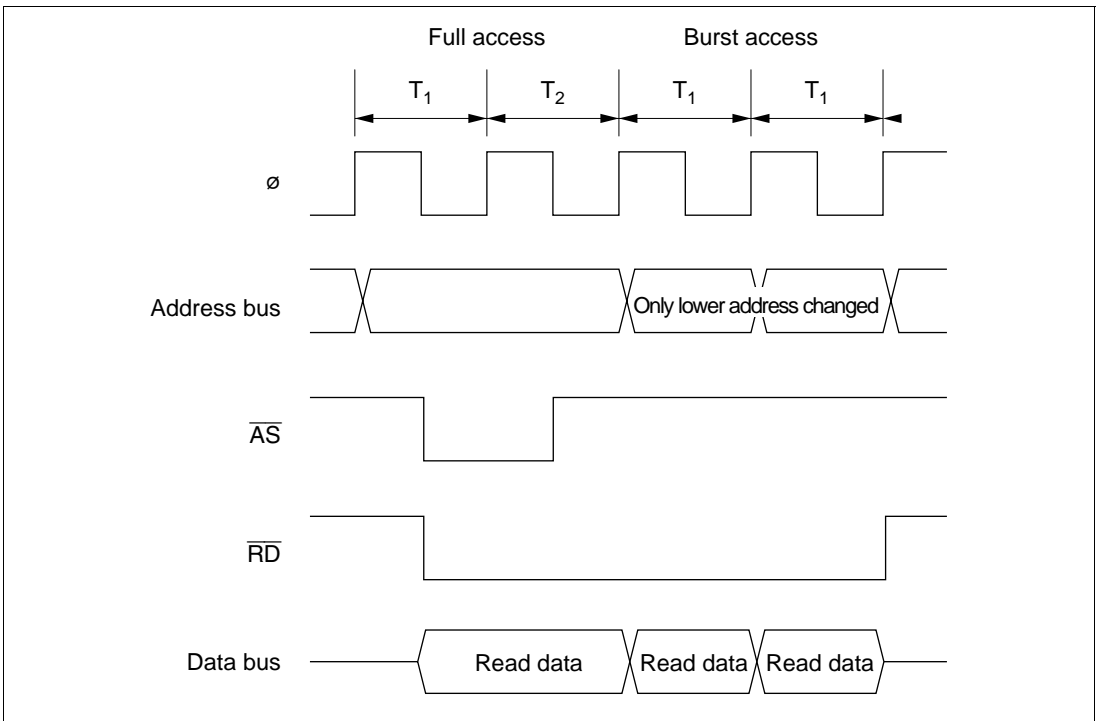
The number of states in the initial cycle (full access) of the burst ROM interface is in accordance with the setting of the AST0 bit in ASTCR. Also, when the AST0 bit is set to 1, wait state insertion is possible. One or two states can be selected for the burst cycle, according to the setting of the BRSTS1 bit in BCRH. Wait states cannot be inserted. When area 0 is designated as burst ROM space, it becomes 16-bit access space regardless of the setting of the ABW0 bit in ABWCR.

When the BRSTS0 bit in BCRH is cleared to 0, burst access of up to 4 words is performed; when the BRSTS0 bit is set to 1, burst access of up to 8 words is performed.

The basic access timing for burst ROM space is shown in figures 7-14 (a) and (b). The timing shown in figure 7-14 (a) is for the case where the AST0 and BRSTS1 bits are both set to 1, and that in figure 7-14 (b) is for the case where both these bits are cleared to 0.



**Figure 7-14 (a) Example of Burst ROM Access Timing (When  $AST0 = BRSTS1 = 1$ )**



**Figure 7-14 (b) Example of Burst ROM Access Timing (When  $AST0 = BRSTS1 = 0$ )**

### 7.5.3 Wait Control

As with the basic bus interface, either program wait insertion or pin wait insertion using the  $\overline{WAIT}$  pin can be used in the initial cycle (full access) of the burst ROM interface. See section 7.4.5, Wait Control.

Wait states cannot be inserted in a burst cycle.

## 7.6 Idle Cycle

### 7.6.1 Operation

When the H8S/2626 Series or H8S/2623 Series accesses external space, it can insert a 1-state idle cycle ( $T_1$ ) between bus cycles in the following two cases: (1) when read accesses between different areas occur consecutively, and (2) when a write cycle occurs immediately after a read cycle. By inserting an idle cycle it is possible, for example, to avoid data collisions between ROM, with a long output floating time, and high-speed memory, I/O interfaces, and so on.

#### (1) Consecutive Reads between Different Areas

If consecutive reads between different areas occur while the ICIS1 bit in BCRH is set to 1, an idle cycle is inserted at the start of the second read cycle.

Figure 7-15 shows an example of the operation in this case. In this example, bus cycle A is a read cycle from ROM with a long output floating time, and bus cycle B is a read cycle from SRAM, each being located in a different area. In (a), an idle cycle is not inserted, and a collision occurs in cycle B between the read data from ROM and that from SRAM. In (b), an idle cycle is inserted, and a data collision is prevented.

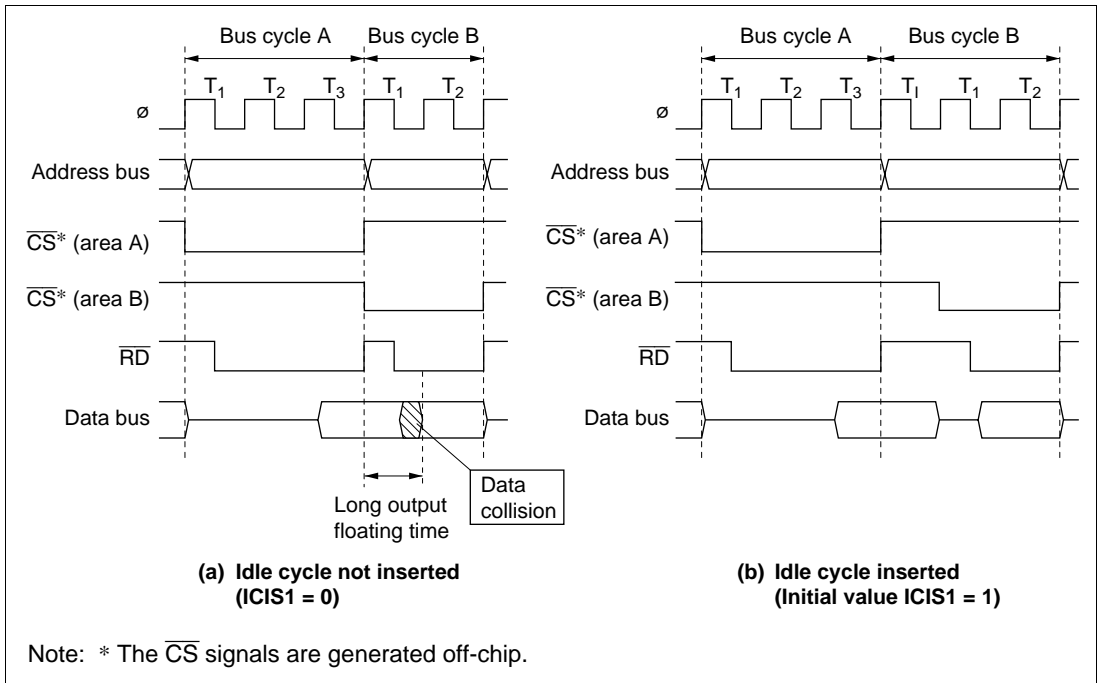
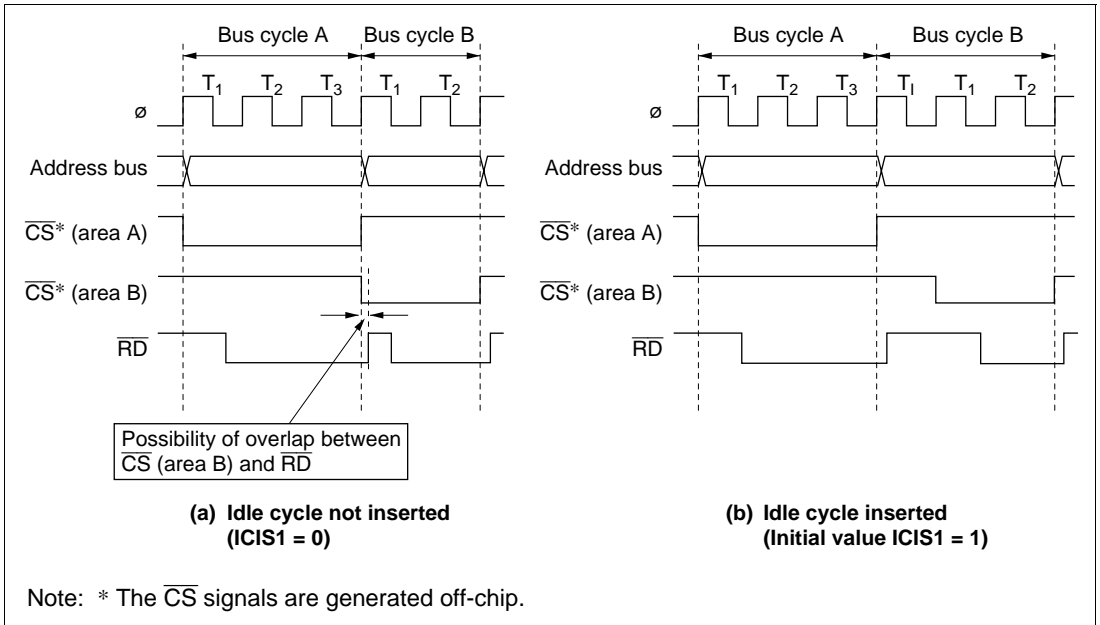


Figure 7-15 Example of Idle Cycle Operation (1)

## (2) Write after Read

If an external write occurs after an external read while the ICIS0 bit in BCRH is set to 1, an idle cycle is inserted at the start of the write cycle.

Figure 7-16 shows an example of the operation in this case. In this example, bus cycle A is a read cycle from ROM with a long output floating time, and bus cycle B is a CPU write cycle. In (a), an idle cycle is not inserted, and a collision occurs in cycle B between the read data from ROM and the CPU write data. In (b), an idle cycle is inserted, and a data collision is prevented.



**Figure 7-16 Example of Idle Cycle Operation (2)**

## 7.6.2 Pin States in Idle Cycle

Table 7-5 shows pin states in an idle cycle.

**Table 7-5 Pin States in Idle Cycle**

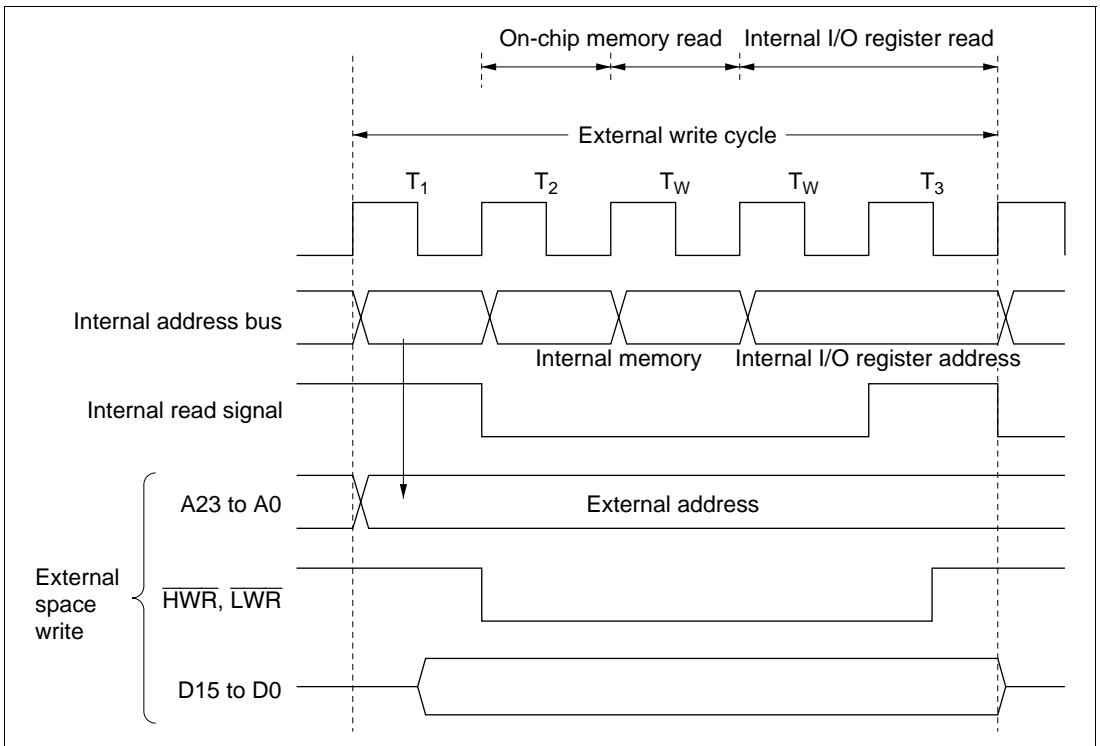
<b>Pins</b>	<b>Pin State</b>
A23 to A0	Contents of next bus cycle
D15 to D0	High impedance
$\overline{AS}$	High
$\overline{RD}$	High
$\overline{HWR}$	High
$\overline{LWR}$	High



## 7.7 Write Data Buffer Function

The H8S/2626 Series and H8S/2623 Series have a write data buffer function in the external data bus. Using the write data buffer function enables external writes to be executed in parallel with internal accesses. The write data buffer function is made available by setting the WDBE bit in BCRL to 1.

Figure 7-17 shows an example of the timing when the write data buffer function is used. When this function is used, if an external write continues for 2 states or longer, and there is an internal access next, only an external write is executed in the first state, but from the next state onward an internal access (on-chip memory or internal I/O register read) is executed in parallel with the external write rather than waiting until it ends.



**Figure 7-17 Example of Timing when Write Data Buffer Function is Used**

## 7.8 Bus Release

### 7.8.1 Overview

The H8S/2626 Series and H8S/2623 Series can release the external bus in response to a bus request from an external device. In the external bus released state, the internal bus master continues to operate as long as there is no external access.

If an internal bus master wants to make an external access in the external bus released state, it can issue a bus request off-chip.

### 7.8.2 Operation

In external expansion mode, the bus can be released to an external device by setting the BRLE bit in BCRL to 1. Driving the  $\overline{\text{BREQ}}$  pin low issues an external bus request to the H8S/2626 Series or H8S/2623 Series. When the  $\overline{\text{BREQ}}$  pin is sampled, at the prescribed timing the  $\overline{\text{BACK}}$  pin is driven low, and the address bus, data bus, and bus control signals are placed in the high-impedance state, establishing the external bus-released state.

In the external bus released state, an internal bus master can perform accesses using the internal bus. When an internal bus master wants to make an external access, it temporarily defers activation of the bus cycle, and waits for the bus request from the external bus master to be dropped.

If the BREQOE bit in BCRL is set to 1, when an internal bus master wants to make an external access in the external bus released state, the  $\overline{\text{BREQO}}$  pin is driven low and a request can be made off-chip to drop the bus request.

When the  $\overline{\text{BREQ}}$  pin is driven high, the  $\overline{\text{BACK}}$  pin is driven high at the prescribed timing and the external bus released state is terminated.

If an external bus release request and internal bus master external access occur simultaneously, the order of priority is as follows:

(High) External bus release > Internal bus master external access (Low)

### 7.8.3 Pin States in External Bus Released State

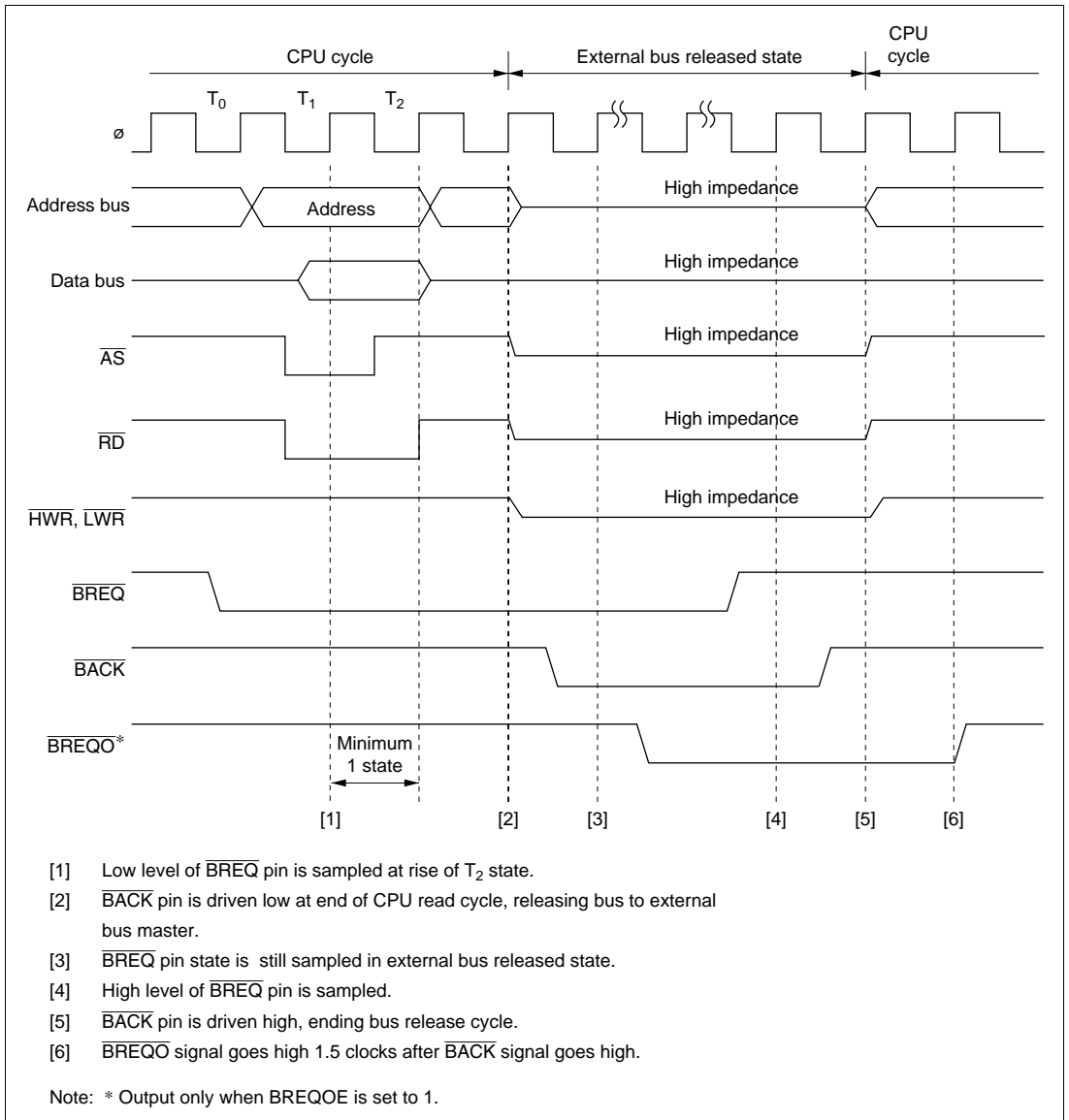
Table 7-6 shows pin states in the external bus released state.

**Table 7-6 Pin States in Bus Released State**

<b>Pins</b>	<b>Pin State</b>
A23 to A0	High impedance
D15 to D0	High impedance
$\overline{AS}$	High impedance
$\overline{RD}$	High impedance
HWR	High impedance
LWR	High impedance

## 7.8.4 Transition Timing

Figure 7-18 shows the timing for transition to the bus-released state.



**Figure 7-18 Bus-Released State Transition Timing**

## 7.8.5 Usage Note

If MSTPCR is set to H'FFFFFF or H'EFFFFFF and a transition is made to sleep mode, the external bus release function will halt. Therefore, these values should not be set in MSTPCR if the external bus release function is to be used in sleep mode.

## 7.9 Bus Arbitration

### 7.9.1 Overview

The H8S/2626 Series and H8S/2623 Series have a bus arbiter that arbitrates bus master operations.

There are two bus masters, the CPU and DTC, which perform read/write operations when they have possession of the bus. Each bus master requests the bus by means of a bus request signal. The bus arbiter determines priorities at the prescribed timing, and permits use of the bus by means of a bus request acknowledge signal. The selected bus master then takes possession of the bus and begins its operation.

### 7.9.2 Operation

The bus arbiter detects the bus masters' bus request signals, and if the bus is requested, sends a bus request acknowledge signal to the bus master making the request. If there are bus requests from more than one bus master, the bus request acknowledge signal is sent to the one with the highest priority. When a bus master receives the bus request acknowledge signal, it takes possession of the bus until that signal is canceled.

The order of priority of the bus masters is as follows:

(High) DTC > CPU (Low)

An internal bus access by an internal bus master, and external bus release, can be executed in parallel.

In the event of simultaneous external bus release request, and internal bus master external access request generation, the order of priority is as follows:

(High) External bus release > Internal bus master external access (Low)

### 7.9.3 Bus Transfer Timing

Even if a bus request is received from a bus master with a higher priority than that of the bus master that has acquired the bus and is currently operating, the bus is not necessarily transferred immediately. There are specific times at which each bus master can relinquish the bus.

**CPU:** The CPU is the lowest-priority bus master, and if a bus request is received from the DTC, the bus arbiter transfers the bus to the bus master that issued the request. The timing for transfer of the bus is as follows:

- The bus is transferred at a break between bus cycles. However, if a bus cycle is executed in discrete operations, as in the case of a longword-size access, the bus is not transferred between the operations. See Appendix A.5, Bus States During Instruction Execution, for timings at which the bus is not transferred.
- If the CPU is in sleep mode, it transfers the bus immediately.

**DTC:** The DTC sends the bus arbiter a request for the bus when an activation request is generated.

The DTC can release the bus after a vector read, a register information read (3 states), a single data transfer, or a register information write (3 states). It does not release the bus during a register information read (3 states), a single data transfer, or a register information write (3 states).

## 7.10 Resets and the Bus Controller

In a reset, the H8S/2626 Series or H8S/2623 Series, including the bus controller, enters the reset state at that point, and an executing bus cycle is discontinued.

# Section 8 Data Transfer Controller (DTC)

## 8.1 Overview

The H8S/2626 Series and H8S/2623 Series include a data transfer controller (DTC). The DTC can be activated by an interrupt or software, to transfer data.

### 8.1.1 Features

The features of the DTC are:

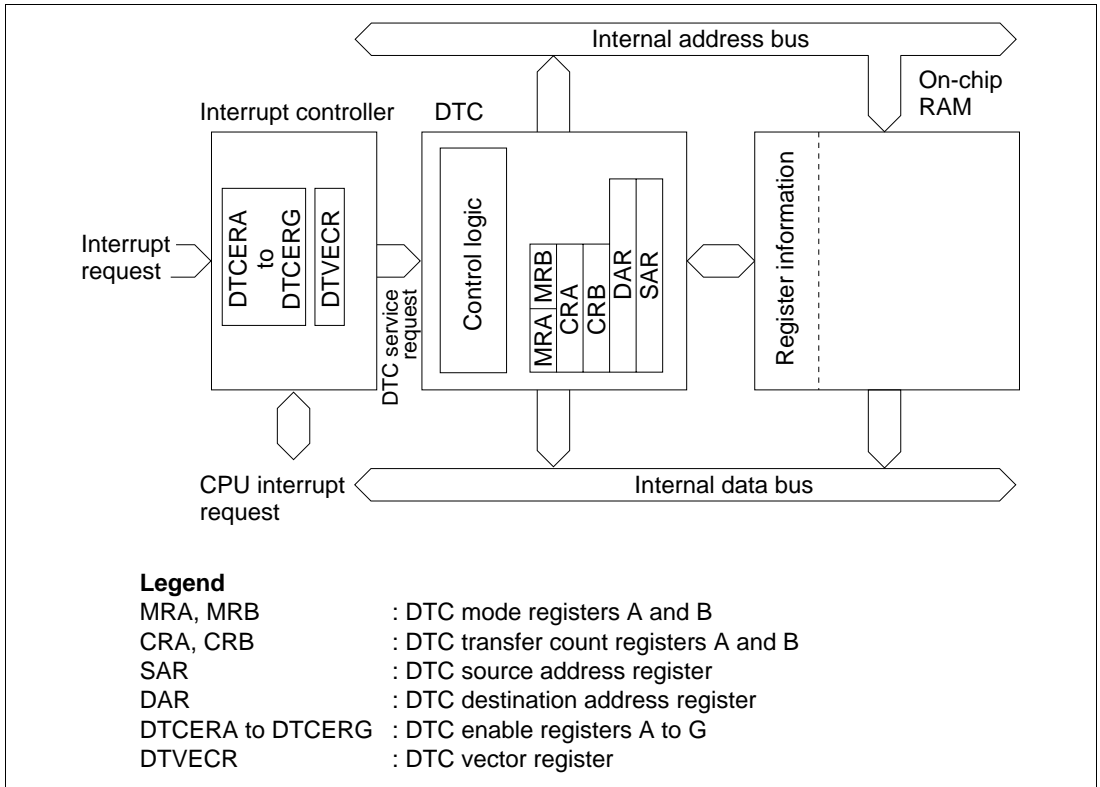
- Transfer possible over any number of channels
  - Transfer information is stored in memory
  - One activation source can trigger a number of data transfers (chain transfer)
- Wide range of transfer modes
  - Normal, repeat, and block transfer modes available
  - Incrementing, decrementing, and fixing of source and destination addresses can be selected
- Direct specification of 16-Mbyte address space possible
  - 24-bit transfer source and destination addresses can be specified
- Transfer can be set in byte or word units
- A CPU interrupt can be requested for the interrupt that activated the DTC
  - An interrupt request can be issued to the CPU after one data transfer ends
  - An interrupt request can be issued to the CPU after the specified data transfers have completely ended
- Activation by software is possible
- Module stop mode can be set
  - The initial setting enables DTC registers to be accessed. DTC operation is halted by setting module stop mode.

## 8.1.2 Block Diagram

Figure 8-1 shows a block diagram of the DTC.

The DTC's register information is stored in the on-chip RAM\*. A 32-bit bus connects the DTC to the on-chip RAM (1 kbyte), enabling 32-bit/1-state reading and writing of the DTC register information.

Note: \* When the DTC is used, the RAME bit in SYSCR must be set to 1.



**Figure 8-1 Block Diagram of DTC**



### 8.1.3 Register Configuration

Table 8-1 summarizes the DTC registers.

**Table 8-1 DTC Registers**

Name	Abbreviation	R/W	Initial Value	Address* <sup>1</sup>
DTC mode register A	MRA	—* <sup>2</sup>	Undefined	—* <sup>3</sup>
DTC mode register B	MRB	—* <sup>2</sup>	Undefined	—* <sup>3</sup>
DTC source address register	SAR	—* <sup>2</sup>	Undefined	—* <sup>3</sup>
DTC destination address register	DAR	—* <sup>2</sup>	Undefined	—* <sup>3</sup>
DTC transfer count register A	CRA	—* <sup>2</sup>	Undefined	—* <sup>3</sup>
DTC transfer count register B	CRB	—* <sup>2</sup>	Undefined	—* <sup>3</sup>
DTC enable registers	DTCER	R/W	H'00	H'FE16 to H'FE1C
DTC vector register	DTVECR	R/W	H'00	H'FE1F
Module stop control register	MSTPCRA	R/W	H'3F	H'FDE8

Notes: \*1 Lower 16 bits of the address.

\*2 Registers within the DTC cannot be read or written to directly.

\*3 Register information is located in on-chip RAM addresses H'EBC0 to H'EFBF. It cannot be located in external memory space. When the DTC is used, the RAME bit in SYSCR must be set to 1.

## 8.2 Register Descriptions

### 8.2.1 DTC Mode Register A (MRA)

Bit	:	7	6	5	4	3	2	1	0
		SM1	SM0	DM1	DM0	MD1	MD0	DTS	Sz
Initial value	:	Unde- fined	Unde- fined	Unde- fined	Unde- fined	Unde- fined	Unde- fined	Unde- fined	Unde- fined
R/W	:	—	—	—	—	—	—	—	—

MRA is an 8-bit register that controls the DTC operating mode.

**Bits 7 and 6—Source Address Mode 1 and 0 (SM1, SM0):** These bits specify whether SAR is to be incremented, decremented, or left fixed after a data transfer.

Bit 7	Bit 6	Description
SM1	SM0	Description
0	—	SAR is fixed
1	0	SAR is incremented after a transfer (by +1 when Sz = 0; by +2 when Sz = 1)
	1	SAR is decremented after a transfer (by -1 when Sz = 0; by -2 when Sz = 1)

**Bits 5 and 4—Destination Address Mode 1 and 0 (DM1, DM0):** These bits specify whether DAR is to be incremented, decremented, or left fixed after a data transfer.

Bit 5	Bit 4	Description
DM1	DM0	Description
0	—	DAR is fixed
1	0	DAR is incremented after a transfer (by +1 when Sz = 0; by +2 when Sz = 1)
	1	DAR is decremented after a transfer (by -1 when Sz = 0; by -2 when Sz = 1)

**Bits 3 and 2—DTC Mode (MD1, MD0):** These bits specify the DTC transfer mode.

<b>Bit 3</b>		<b>Bit 2</b>	
<b>MD1</b>	<b>MD0</b>	<b>Description</b>	
0	0	Normal mode	
	1	Repeat mode	
1	0	Block transfer mode	
	1	—	

**Bit 1—DTC Transfer Mode Select (DTS):** Specifies whether the source side or the destination side is set to be a repeat area or block area, in repeat mode or block transfer mode.

<b>Bit 1</b>	
<b>DTS</b>	<b>Description</b>
0	Destination side is repeat area or block area
1	Source side is repeat area or block area

**Bit 0—DTC Data Transfer Size (Sz):** Specifies the size of data to be transferred.

<b>Bit 0</b>	
<b>Sz</b>	<b>Description</b>
0	Byte-size transfer
1	Word-size transfer

## 8.2.2 DTC Mode Register B (MRB)

Bit	:	7	6	5	4	3	2	1	0
		CHNE	DISEL	—	—	—	—	—	—
Initial value:		Unde- fined	Unde- fined	Unde- fined	Unde- fined	Unde- fined	Unde- fined	Unde- fined	Unde- fined
R/W	:	—	—	—	—	—	—	—	—

MRB is an 8-bit register that controls the DTC operating mode.

**Bit 7—DTC Chain Transfer Enable (CHNE):** Specifies chain transfer. With chain transfer, a number of data transfers can be performed consecutively in response to a single transfer request.

In data transfer with CHNE set to 1, determination of the end of the specified number of transfers, clearing of the interrupt source flag, and clearing of DTCER is not performed.

### Bit 7

CHNE	Description
0	End of DTC data transfer (activation waiting state is entered)
1	DTC chain transfer (new register information is read, then data is transferred)

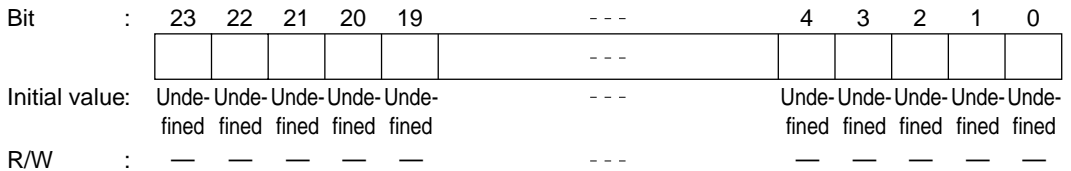
**Bit 6—DTC Interrupt Select (DISEL):** Specifies whether interrupt requests to the CPU are disabled or enabled after a data transfer.

### Bit 6

DISEL	Description
0	After a data transfer ends, the CPU interrupt is disabled unless the transfer counter is 0 (the DTC clears the interrupt source flag of the activating interrupt to 0)
1	After a data transfer ends, the CPU interrupt is enabled (the DTC does not clear the interrupt source flag of the activating interrupt to 0)

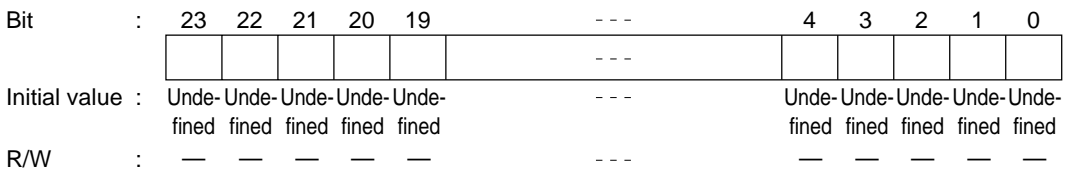
**Bits 5 to 0—Reserved:** These bits have no effect on DTC operation in the H8S/2626 Series and H8S/2623 Series, and should always be written with 0.

### 8.2.3 DTC Source Address Register (SAR)



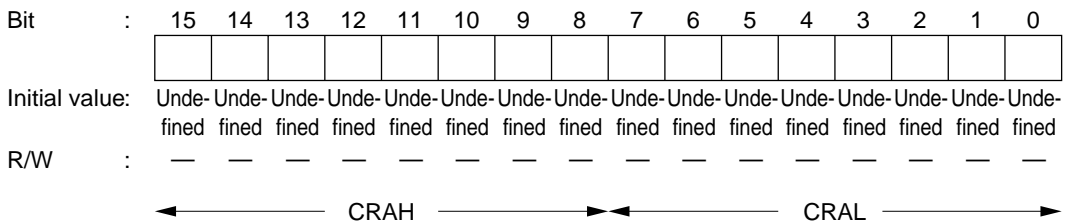
SAR is a 24-bit register that designates the source address of data to be transferred by the DTC. For word-size transfer, specify an even source address.

### 8.2.4 DTC Destination Address Register (DAR)



DAR is a 24-bit register that designates the destination address of data to be transferred by the DTC. For word-size transfer, specify an even destination address.

### 8.2.5 DTC Transfer Count Register A (CRA)



CRA is a 16-bit register that designates the number of times data is to be transferred by the DTC.

In normal mode, the entire CRA functions as a 16-bit transfer counter (1 to 65,536). It is decremented by 1 every time data is transferred, and transfer ends when the count reaches H'0000.

In repeat mode or block transfer mode, the CRA is divided into two parts: the upper 8 bits (CRAH) and the lower 8 bits (CRAL). CRAH holds the number of transfers while CRAL functions as an 8-bit transfer counter (1 to 256). CRAL is decremented by 1 every time data is transferred, and the contents of CRAH are sent when the count reaches H'00. This operation is repeated.

## 8.2.6 DTC Transfer Count Register B (CRB)

Bit	:	15	14	13	12	11	10	9	8	7	6	5	4	3	2	1	0
Initial value:		Unde-	Unde-	Unde-	Unde-	Unde-	Unde-	Unde-	Unde-	Unde-	Unde-	Unde-	Unde-	Unde-	Unde-	Unde-	Unde-
		fin-	fin-	fin-	fin-	fin-	fin-	fin-	fin-	fin-	fin-	fin-	fin-	fin-	fin-	fin-	fin-
R/W	:	—	—	—	—	—	—	—	—	—	—	—	—	—	—	—	—

CRB is a 16-bit register that designates the number of times data is to be transferred by the DTC in block transfer mode. It functions as a 16-bit transfer counter (1 to 65,536) that is decremented by 1 every time data is transferred, and transfer ends when the count reaches H'0000.

## 8.2.7 DTC Enable Registers (DTCEr)

Bit	:	7	6	5	4	3	2	1	0
		DTCE7	DTCE6	DTCE5	DTCE4	DTCE3	DTCE2	DTCE1	DTCE0
Initial value:		0	0	0	0	0	0	0	0
R/W	:	R/W	R/W	R/W	R/W	R/W	R/W	R/W	R/W

The DTC enable registers comprise seven 8-bit readable/writable registers, DTCErA to DTCErG, with bits corresponding to the interrupt sources that can control enabling and disabling of DTC activation. These bits enable or disable DTC service for the corresponding interrupt sources.

The DTC enable registers are initialized to H'00 by a reset and in hardware standby mode.

### Bit n—DTC Activation Enable (DTCEn)

#### Bit n

DTCEn	Description
0	DTC activation by this interrupt is disabled (Initial value) [Clearing conditions] <ul style="list-style-type: none"> <li>When the DISEL bit is 1 and the data transfer has ended</li> <li>When the specified number of transfers have ended</li> </ul>
1	DTC activation by this interrupt is enabled [Holding condition] When the DISEL bit is 0 and the specified number of transfers have not ended

(n = 7 to 0)

A DTCE bit can be set for each interrupt source that can activate the DTC. The correspondence between interrupt sources and DTCE bits is shown in table 8-4, together with the vector number generated for each interrupt controller.

For DTCE bit setting, use bit manipulation instructions such as BSET and BCLR for reading and writing. If all interrupts are masked, multiple activation sources can be set at one time by writing data after executing a dummy read on the relevant register.

## 8.2.8 DTC Vector Register (DTVECR)

Bit	:	7	6	5	4	3	2	1	0
		SWDTE	DTVEC6	DTVEC5	DTVEC4	DTVEC3	DTVEC2	DTVEC1	DTVEC0
Initial value:		0	0	0	0	0	0	0	0
R/W	:	R/(W)*1	R/(W)*2	R/(W)*2	R/(W)*2	R/(W)*2	R/(W)*2	R/(W)*2	R/(W)*2

Notes: \*1 Only 1 can be written to the SWDTE bit.

\*2 Bits DTVEC6 to DTVEC0 can be written to when SWDTE = 0.

DTVECR is an 8-bit readable/writable register that enables or disables DTC activation by software, and sets a vector number for the software activation interrupt.

DTVECR is initialized to H'00 by a reset and in hardware standby mode.

**Bit 7—DTC Software Activation Enable (SWDTE):** Enables or disables DTC activation by software.

### Bit 7

SWDTE	Description
0	DTC software activation is disabled (Initial value) [Clearing conditions] <ul style="list-style-type: none"> <li>When the DISEL bit is 0 and the specified number of transfers have not ended</li> <li>When 0 is written to the DISEL bit after a software-activated data transfer end interrupt (SWDTEND) request has been sent to the CPU</li> </ul>
1	DTC software activation is enabled [Holding conditions] <ul style="list-style-type: none"> <li>When the DISEL bit is 1 and data transfer has ended</li> <li>When the specified number of transfers have ended</li> <li>During data transfer due to software activation</li> </ul>

**Bits 6 to 0—DTC Software Activation Vectors 6 to 0 (DTVEC6 to DTVEC0):** These bits specify a vector number for DTC software activation.

The vector address is expressed as H'0400 + ((vector number) << 1). <<1 indicates a one-bit left-shift. For example, when DTVEC6 to DTVEC0 = H'10, the vector address is H'0420.

## 8.2.9 Module Stop Control Register A (MSTPCRA)

Bit	7	6	5	4	3	2	1	0
	MSTPA7	MSTPA6	MSTPA5	MSTPA4	MSTPA3	MSTPA2	MSTPA1	MSTPA0
Initial value	0	0	1	1	1	1	1	1
R/W	R/W	R/W	R/W	R/W	R/W	R/W	R/W	R/W

MSTPCRA is an 8-bit readable/writable register that performs module stop mode control.

When the MSTPA6 bit in MSTPCRA is set to 1, the DTC operation stops at the end of the bus cycle and a transition is made to module stop mode. However, 1 cannot be written in the MSTPA6 bit while the DTC is operating. For details, see sections 21A.5, 21B.5, Module Stop Mode.

MSTPCRA is initialized to H'3F by a reset and in hardware standby mode. It is not initialized in software standby mode.

**Bit 6—Module Stop (MSTPA6):** Specifies the DTC module stop mode.

### Bit 6

MSTPA6	Description
0	DTC module stop mode cleared (Initial value)
1	DTC module stop mode set



## 8.3 Operation

### 8.3.1 Overview

When activated, the DTC reads register information that is already stored in memory and transfers data on the basis of that register information. After the data transfer, it writes updated register information back to memory. Pre-storage of register information in memory makes it possible to transfer data over any required number of channels. Setting the CHNE bit to 1 makes it possible to perform a number of transfers with a single activation.

Figure 8-2 shows a flowchart of DTC operation.

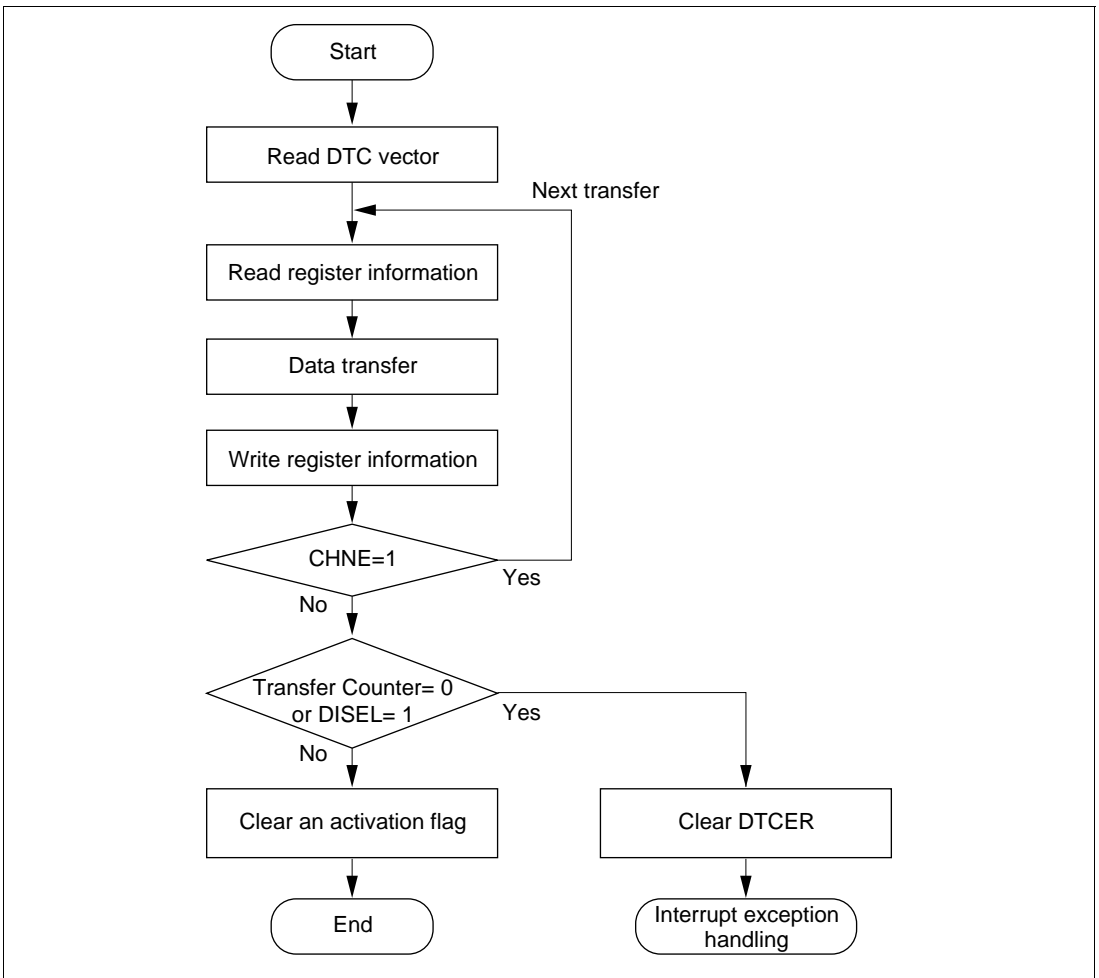


Figure 8-2 Flowchart of DTC Operation

The DTC transfer mode can be normal mode, repeat mode, or block transfer mode.

The 24-bit SAR designates the DTC transfer source address and the 24-bit DAR designates the transfer destination address. After each transfer, SAR and DAR are independently incremented, decremented, or left fixed.

Table 8-2 outlines the functions of the DTC.

**Table 8-2 DTC Functions**

Transfer Mode	Activation Source	Address Registers	
		Transfer Source	Transfer Destination
<ul style="list-style-type: none"> <li>• Normal mode               <ul style="list-style-type: none"> <li>— One transfer request transfers one byte or one word</li> <li>— Memory addresses are incremented or decremented by 1 or 2</li> <li>— Up to 65,536 transfers possible</li> </ul> </li> <li>• Repeat mode               <ul style="list-style-type: none"> <li>— One transfer request transfers one byte or one word</li> <li>— Memory addresses are incremented or decremented by 1 or 2</li> <li>— After the specified number of transfers (1 to 256), the initial state resumes and operation continues</li> </ul> </li> <li>• Block transfer mode               <ul style="list-style-type: none"> <li>— One transfer request transfers a block of the specified size</li> <li>— Block size is from 1 to 256 bytes or words</li> <li>— Up to 65,536 transfers possible</li> <li>— A block area can be designated at either the source or destination</li> </ul> </li> </ul>	<ul style="list-style-type: none"> <li>• IRQ</li> <li>• TPU TGI</li> <li>• SCI TXI or RXI</li> <li>• A/D converter ADI</li> <li>• Software</li> <li>• HCAN RM0</li> </ul>	24 bits	24 bits

### 8.3.2 Activation Sources

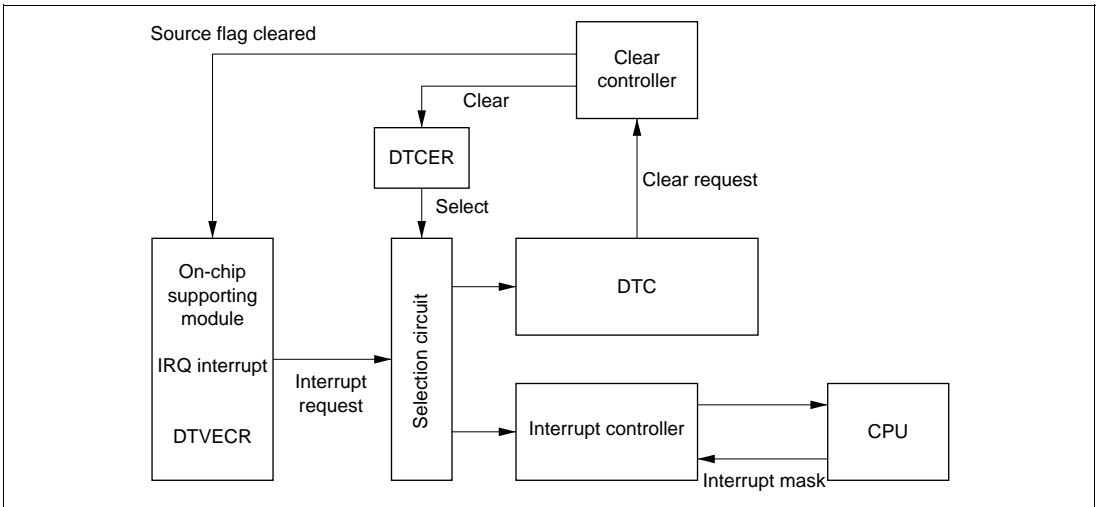
The DTC operates when activated by an interrupt or by a write to DTVECR by software. An interrupt request can be directed to the CPU or DTC, as designated by the corresponding DTCER bit. An interrupt becomes a DTC activation source when the corresponding bit is set to 1, and a CPU interrupt source when the bit is cleared to 0.

At the end of a data transfer (or the last consecutive transfer in the case of chain transfer), the activation source or corresponding DTCER bit is cleared. Table 8-3 shows activation source and DTCER clearance. The activation source flag, in the case of RX10, for example, is the RDRF flag of SCIO.

**Table 8-3 Activation Source and DTCER Clearance**

Activation Source	When the DISEL Bit Is 0 and the Specified Number of Transfers Have Not Ended	When the DISEL Bit Is 1, or when the Specified Number of Transfers Have Ended
Software activation	The SWDTE bit is cleared to 0	The SWDTE bit remains set to 1 An interrupt is issued to the CPU
Interrupt activation	The corresponding DTCER bit remains set to 1 The activation source flag is cleared to 0	The corresponding DTCER bit is cleared to 0 The activation source flag remains set to 1 A request is issued to the CPU for the activation source interrupt

Figure 8-3 shows a block diagram of activation source control. For details see section 5, Interrupt Controller.



**Figure 8-3 Block Diagram of DTC Activation Source Control**

When an interrupt has been designated a DTC activation source, existing CPU mask level and interrupt controller priorities have no effect. If there is more than one activation source at the same time, the DTC operates in accordance with the default priorities.

### 8.3.3 DTC Vector Table

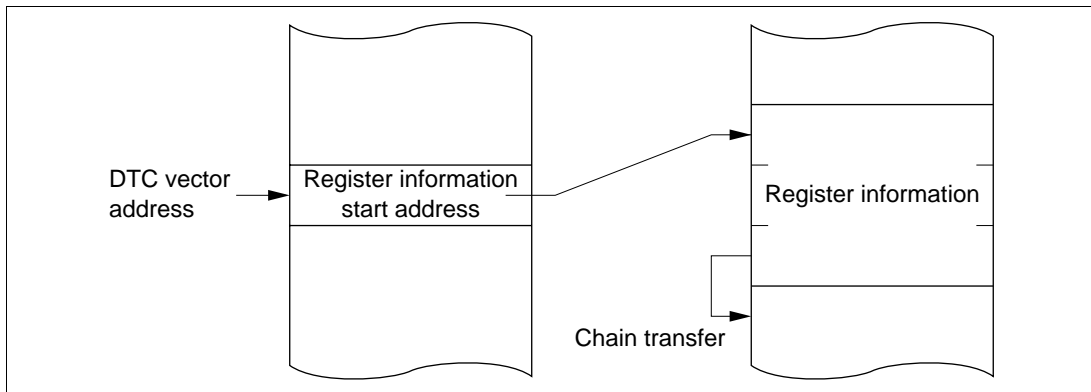
Figure 8-4 shows the correspondence between DTC vector addresses and register information.

Table 8-4 shows the correspondence between activation and vector addresses. When the DTC is activated by software, the vector address is obtained from:  $H'0400 + (DTVECR[6:0] \ll 1)$  (where  $\ll 1$  indicates a 1-bit left shift). For example, if DTVECR is H'10, the vector address is H'0420.

The DTC reads the start address of the register information from the vector address set for each activation source, and then reads the register information from that start address. The register information can be placed at predetermined addresses in the on-chip RAM. The start address of the register information should be an integral multiple of four.

The configuration of the vector address is the same in both normal\* and advanced modes, a 2-byte unit being used in both cases. These two bytes specify the lower bits of the address in the on-chip RAM.

Note: \* Not available in the H8S/2626 Series or H8S/2623 Series.



**Figure 8-4 Correspondence between DTC Vector Address and Register Information**

**Table 8-4 Interrupt Sources, DTC Vector Addresses, and Corresponding DTCEs**

Interrupt Source	Origin of Interrupt Source	Vector Number	Vector Address	DTCE*	Priority
Write to DTVECR	Software	DTVECR	H'0400+ (DTVECR [6:0] <<1)	—	High
IRQ0	External pin	16	H'0420	DTCEA7	
IRQ1		17	H'0422	DTCEA6	
IRQ2		18	H'0424	DTCEA5	
IRQ3		19	H'0426	DTCEA4	
IRQ4		20	H'0428	DTCEA3	
IRQ5		21	H'042A	DTCEA2	
Reserved		22	H'042C	DTCEA1	
	23	H'042E	DTCEA0		
ADI (A/D conversion end)	A/D	28	H'0438	DTCEB6	
TGI0A (GR0A compare match/ input capture)	TPU channel 0	32	H'0440	DTCEB5	
TGI0B (GR0B compare match/ input capture)		33	H'0442	DTCEB4	
TGI0C (GR0C compare match/ input capture)		34	H'0444	DTCEB3	
TGI0D (GR0D compare match/ input capture)		35	H'0446	DTCEB2	
TGI1A (GR1A compare match/ input capture)		TPU channel 1	40	H'0450	
TGI1B (GR1B compare match/ input capture)	41		H'0452	DTCEB0	
TGI2A (GR2A compare match/ input capture)	TPU channel 2	44	H'0458	DTCEC7	
TGI2B (GR2B compare match/ input capture)		45	H'045A	DTCEC6	Low

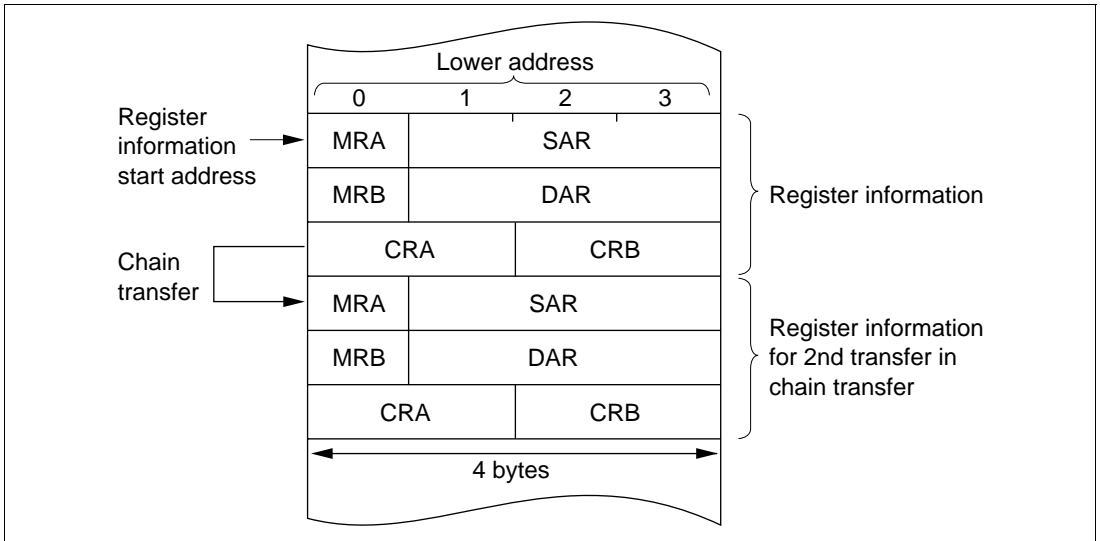


### 8.3.4 Location of Register Information in Address Space

Figure 8-5 shows how the register information should be located in the address space.

Locate the MRA, SAR, MRB, DAR, CRA, and CRB registers, in that order, from the start address of the register information (contents of the vector address). In the case of chain transfer, register information should be located in consecutive areas.

Locate the register information in the on-chip RAM (addresses: H'FFEBC0 to H'FFEFBF).



**Figure 8-5 Location of Register Information in Address Space**

### 8.3.5 Normal Mode

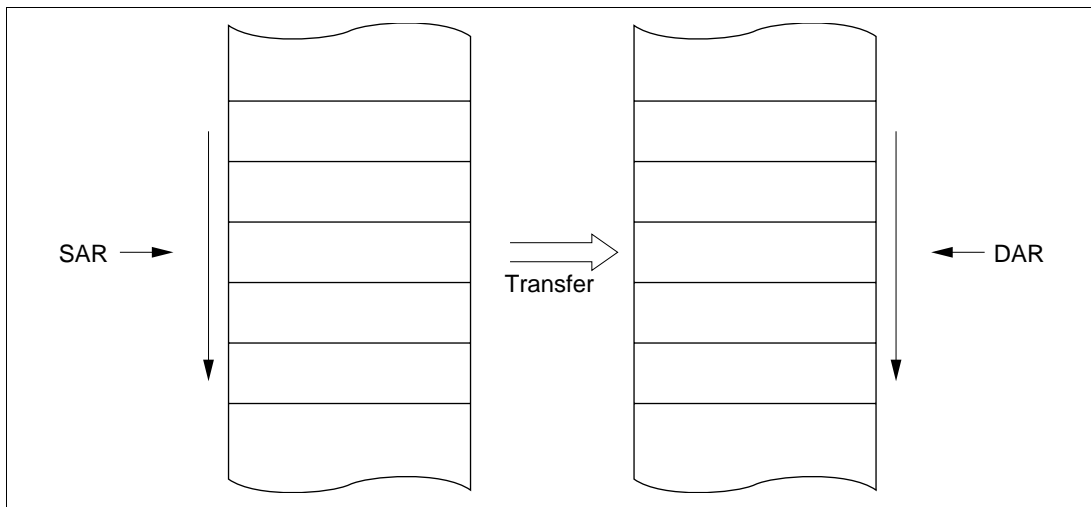
In normal mode, one operation transfers one byte or one word of data.

From 1 to 65,536 transfers can be specified. Once the specified number of transfers have ended, a CPU interrupt can be requested.

Table 8-5 lists the register information in normal mode and figure 8-6 shows memory mapping in normal mode.

**Table 8-5 Register Information in Normal Mode**

Name	Abbreviation	Function
DTC source address register	SAR	Designates source address
DTC destination address register	DAR	Designates destination address
DTC transfer count register A	CRA	Designates transfer count
DTC transfer count register B	CRB	Not used



**Figure 8-6 Memory Mapping in Normal Mode**



### 8.3.6 Repeat Mode

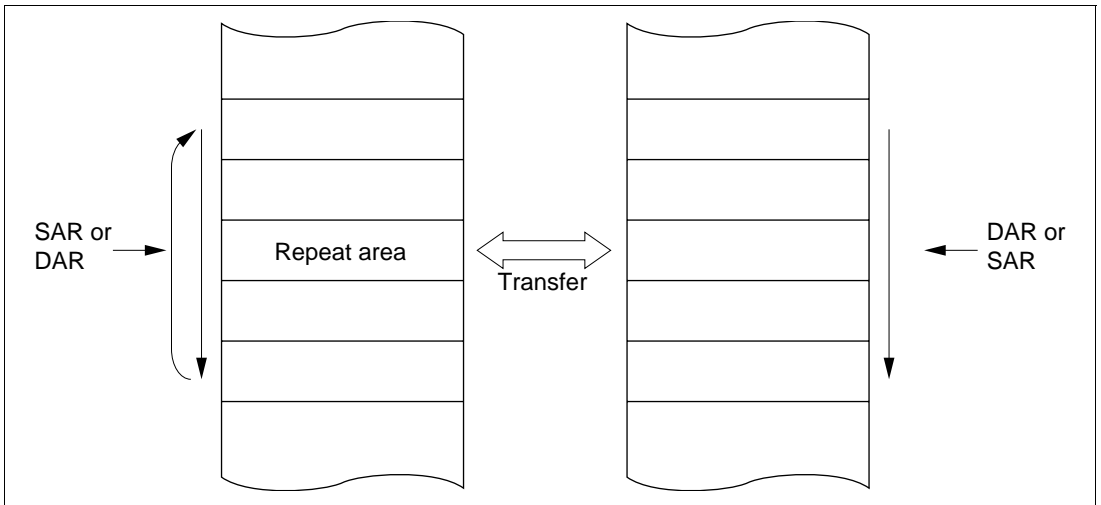
In repeat mode, one operation transfers one byte or one word of data.

From 1 to 256 transfers can be specified. Once the specified number of transfers have ended, the initial state of the transfer counter and the address register specified as the repeat area is restored, and transfer is repeated. In repeat mode the transfer counter value does not reach H'00, and therefore CPU interrupts cannot be requested when DISEL = 0.

Table 8-6 lists the register information in repeat mode and figure 8-7 shows memory mapping in repeat mode.

**Table 8-6 Register Information in Repeat Mode**

Name	Abbreviation	Function
DTC source address register	SAR	Designates source address
DTC destination address register	DAR	Designates destination address
DTC transfer count register AH	CRAH	Holds number of transfers
DTC transfer count register AL	CRAL	Designates transfer count
DTC transfer count register B	CRB	Not used



**Figure 8-7 Memory Mapping in Repeat Mode**

### 8.3.7 Block Transfer Mode

In block transfer mode, one operation transfers one block of data. Either the transfer source or the transfer destination is designated as a block area.

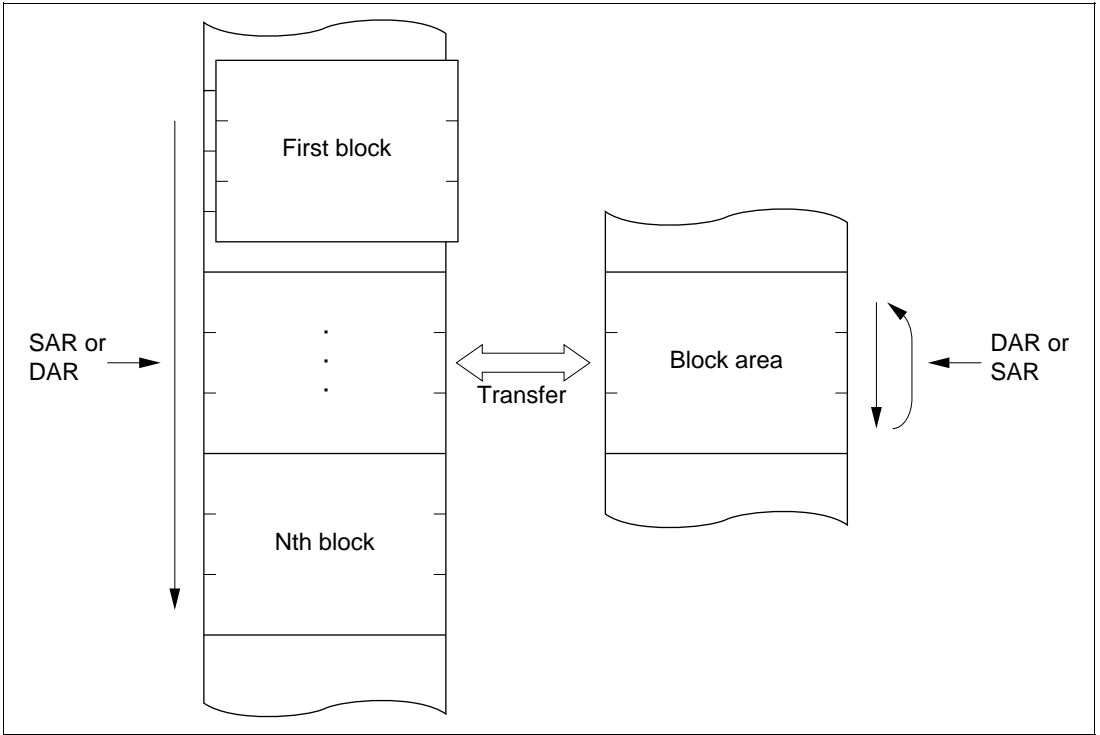
The block size is 1 to 256. When the transfer of one block ends, the initial state of the block size counter and the address register specified as the block area is restored. The other address register is then incremented, decremented, or left fixed.

From 1 to 65,536 transfers can be specified. Once the specified number of transfers have ended, a CPU interrupt is requested.

Table 8-7 lists the register information in block transfer mode and figure 8-8 shows memory mapping in block transfer mode.

**Table 8-7 Register Information in Block Transfer Mode**

<b>Name</b>	<b>Abbreviation</b>	<b>Function</b>
DTC source address register	SAR	Designates source address
DTC destination address register	DAR	Designates destination address
DTC transfer count register AH	CRAH	Holds block size
DTC transfer count register AL	CRAL	Designates block size count
DTC transfer count register B	CRB	Transfer count

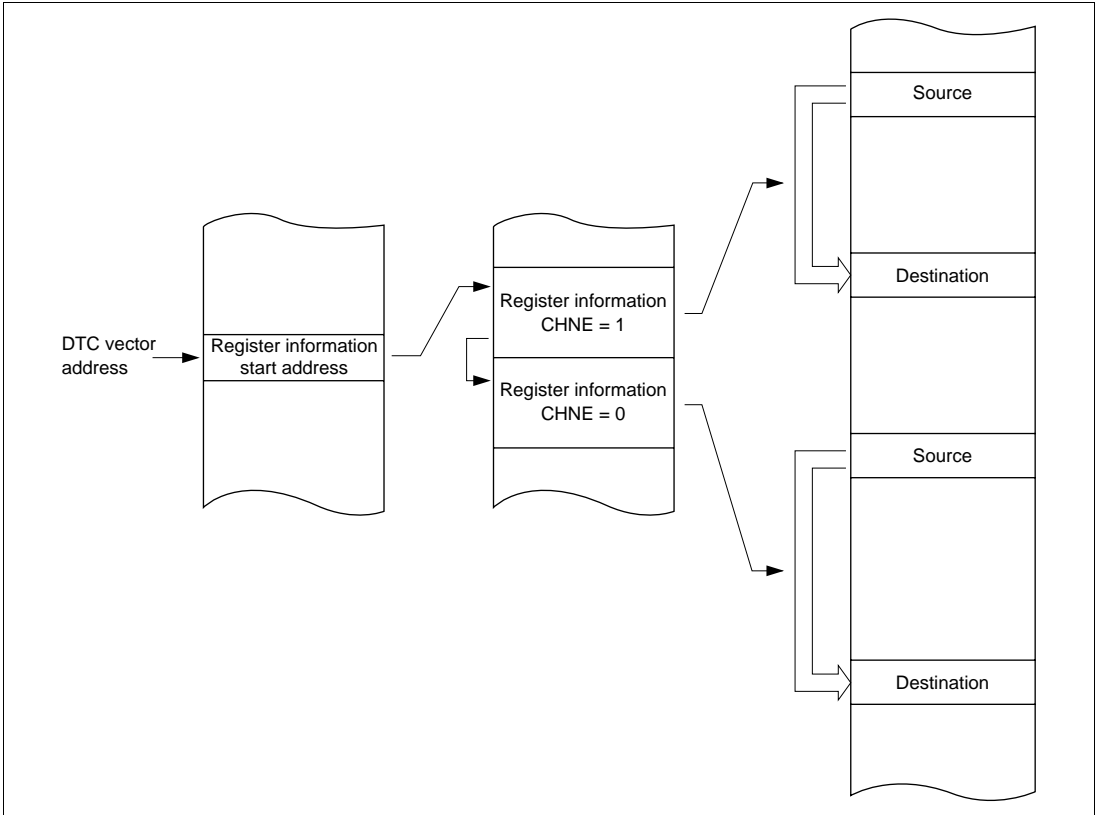


**Figure 8-8 Memory Mapping in Block Transfer Mode**

### 8.3.8 Chain Transfer

Setting the CHNE bit to 1 enables a number of data transfers to be performed consecutively in response to a single transfer request. SAR, DAR, CRA, CRB, MRA, and MRB, which define data transfers, can be set independently.

Figure 8-9 shows the memory map for chain transfer.

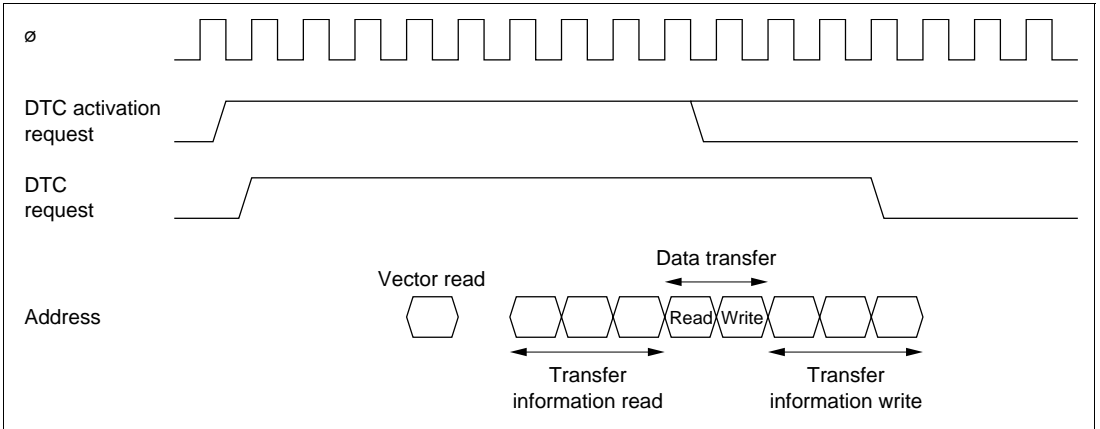


**Figure 8-9 Chain Transfer Memory Map**

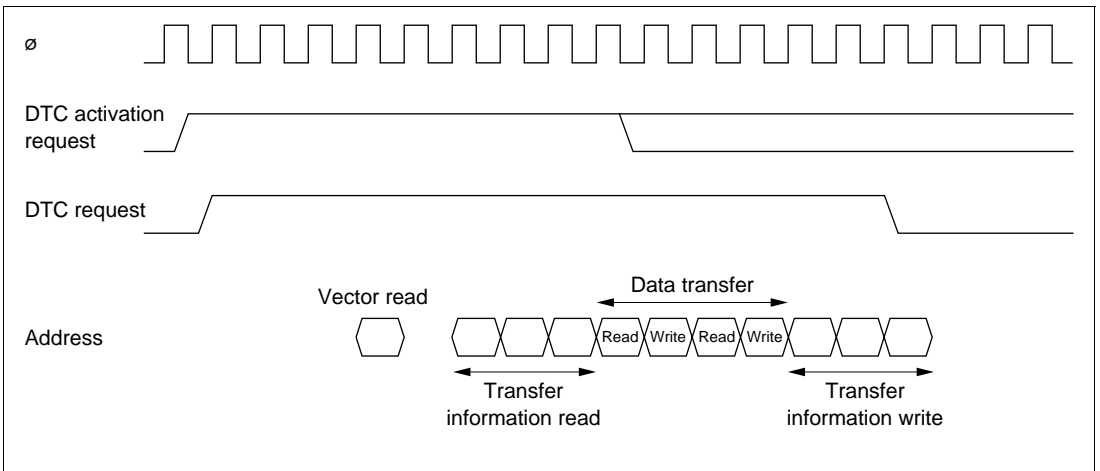
In the case of transfer with CHNE set to 1, an interrupt request to the CPU is not generated at the end of the specified number of transfers or by setting of the DISSEL bit to 1, and the interrupt source flag for the activation source is not affected.

### 8.3.9 Operation Timing

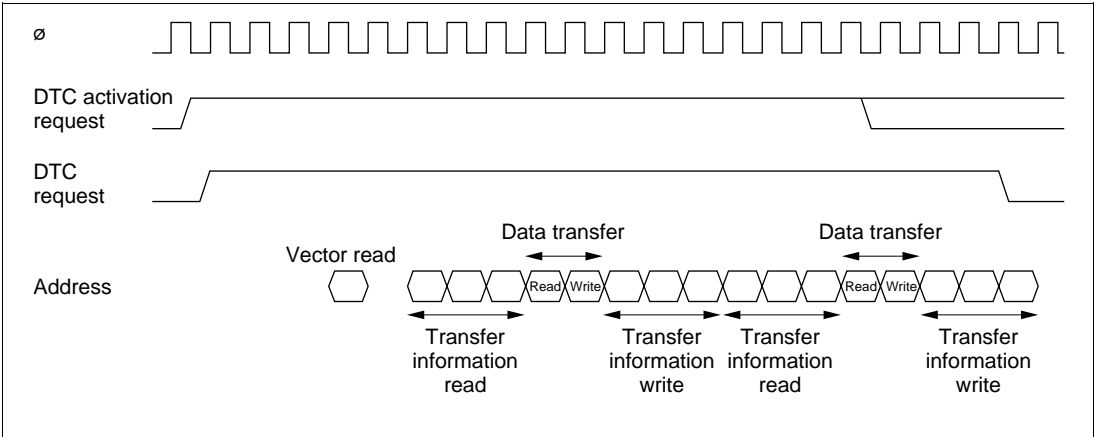
Figures 8-10 to 8-12 show an example of DTC operation timing.



**Figure 8-10 DTC Operation Timing (Example in Normal Mode or Repeat Mode)**



**Figure 8-11 DTC Operation Timing (Example of Block Transfer Mode, with Block Size of 2)**



**Figure 8-12 DTC Operation Timing (Example of Chain Transfer)**

### 8.3.10 Number of DTC Execution States

Table 8-8 lists execution statuses for a single DTC data transfer, and table 8-9 shows the number of states required for each execution status.

**Table 8-8 DTC Execution Statuses**

Mode	Register Information				
	Vector Read I	Read/Write J	Data Read K	Data Write L	Internal Operations M
Normal	1	6	1	1	3
Repeat	1	6	1	1	3
Block transfer	1	6	N	N	3

N: Block size (initial setting of CRAH and CRAL)

**Table 8-9 Number of States Required for Each Execution Status**

Object to be Accessed			On- Chip	On- Chip	On-Chip I/O		External Devices			
			RAM	ROM	Registers					
Bus width			32	16	8	16	8		16	
Access states			1	1	2	2	2	3	2	3
Execution status	Vector read	S <sub>I</sub>	—	1	—	—	4	6+2m	2	3+m
	Register information read/write	S <sub>J</sub>	1	—	—	—	—	—	—	—
	Byte data read	S <sub>K</sub>	1	1	2	2	2	3+m	2	3+m
	Word data read	S <sub>K</sub>	1	1	4	2	4	6+2m	2	3+m
	Byte data write	S <sub>L</sub>	1	1	2	2	2	3+m	2	3+m
	Word data write	S <sub>L</sub>	1	1	4	2	4	6+2m	2	3+m
Internal operation		S <sub>M</sub>	1							

The number of execution states is calculated from the formula below. Note that  $\Sigma$  means the sum of all transfers activated by one activation event (the number in which the CHNE bit is set to 1, plus 1).

$$\text{Number of execution states} = I \cdot (S_I + 1) + \Sigma (J \cdot S_J + K \cdot S_K + L \cdot S_L) + M \cdot S_M$$

For example, when the DTC vector address table is located in on-chip ROM, normal mode is set, and data is transferred from the on-chip ROM to an internal I/O register, the time required for the DTC operation is 14 states. The time from activation to the end of the data write is 11 states.

### 8.3.11 Procedures for Using DTC

**Activation by Interrupt:** The procedure for using the DTC with interrupt activation is as follows:

- [1] Set the MRA, MRB, SAR, DAR, CRA, and CRB register information in the on-chip RAM.
- [2] Set the start address of the register information in the DTC vector address.
- [3] Set the corresponding bit in DTCER to 1.
- [4] Set the enable bits for the interrupt sources to be used as the activation sources to 1. The DTC is activated when an interrupt used as an activation source is generated.
- [5] After the end of one data transfer, or after the specified number of data transfers have ended, the DTCE bit is cleared to 0 and a CPU interrupt is requested. If the DTC is to continue transferring data, set the DTCE bit to 1.

**Activation by Software:** The procedure for using the DTC with software activation is as follows:

- [1] Set the MRA, MRB, SAR, DAR, CRA, and CRB register information in the on-chip RAM.
- [2] Set the start address of the register information in the DTC vector address.
- [3] Check that the SWDTE bit is 0.
- [4] Write 1 to SWDTE bit and the vector number to DTVECR.
- [5] Check the vector number written to DTVECR.
- [6] After the end of one data transfer, if the DISEL bit is 0 and a CPU interrupt is not requested, the SWDTE bit is cleared to 0. If the DTC is to continue transferring data, set the SWDTE bit to 1. When the DISEL bit is 1, or after the specified number of data transfers have ended, the SWDTE bit is held at 1 and a CPU interrupt is requested.



### 8.3.12 Examples of Use of the DTC

#### (1) Normal Mode

An example is shown in which the DTC is used to receive 128 bytes of data via the SCI.

- [1] Set MRA to fixed source address ( $SM1 = SM0 = 0$ ), incrementing destination address ( $DM1 = 1$ ,  $DM0 = 0$ ), normal mode ( $MD1 = MD0 = 0$ ), and byte size ( $Sz = 0$ ). The DTS bit can have any value. Set MRB for one data transfer by one interrupt ( $CHNE = 0$ ,  $DISEL = 0$ ). Set the SCI RDR address in SAR, the start address of the RAM area where the data will be received in DAR, and 128 (H'0080) in CRA. CRB can be set to any value.
- [2] Set the start address of the register information at the DTC vector address.
- [3] Set the corresponding bit in DT CER to 1.
- [4] Set the SCI to the appropriate receive mode. Set the RIE bit in SCR to 1 to enable the reception complete (RXI) interrupt. Since the generation of a receive error during the SCI reception operation will disable subsequent reception, the CPU should be enabled to accept receive error interrupts.
- [5] Each time reception of one byte of data ends on the SCI, the RDRF flag in SSR is set to 1, an RXI interrupt is generated, and the DTC is activated. The receive data is transferred from RDR to RAM by the DTC. DAR is incremented and CRA is decremented. The RDRF flag is automatically cleared to 0.
- [6] When CRA becomes 0 after the 128 data transfers have ended, the RDRF flag is held at 1, the DTCE bit is cleared to 0, and an RXI interrupt request is sent to the CPU. The interrupt handling routine should perform wrap-up processing.

## (2) Chain Transfer

An example of DTC chain transfer is shown in which pulse output is performed using the PPG. Chain transfer can be used to perform pulse output data transfer and PPG output trigger cycle updating. Repeat mode transfer to the PPG's NDR is performed in the first half of the chain transfer, and normal mode transfer to the TPU's TGR in the second half. This is because clearing of the activation source and interrupt generation at the end of the specified number of transfers are restricted to the second half of the chain transfer (transfer when CHNE = 0).

- [1] Perform settings for transfer to the PPG's NDR. Set MRA to source address incrementing (SM1 = 1, SM0 = 0), fixed destination address (DM1 = DM0 = 0), repeat mode (MD1 = 0, MD0 = 1), and word size (Sz = 1). Set the source side as a repeat area (DTS = 1). Set MRB to chain mode (CHNE = 1, DISEL = 0). Set the data table start address in SAR, the NDRH address in DAR, and the data table size in CRAH and CRAL. CRB can be set to any value.
- [2] Perform settings for transfer to the TPU's TGR. Set MRA to source address incrementing (SM1 = 1, SM0 = 0), fixed destination address (DM1 = DM0 = 0), normal mode (MD1 = MD0 = 0), and word size (Sz = 1). Set the data table start address in SAR, the TGRA address in DAR, and the data table size in CRA. CRB can be set to any value.
- [3] Locate the TPU transfer register information consecutively after the NDR transfer register information.
- [4] Set the start address of the NDR transfer register information to the DTC vector address.
- [5] Set the bit corresponding to TGIA in DTCER to 1.
- [6] Set TGRA as an output compare register (output disabled) with TIOR, and enable the TGIA interrupt with TIER.
- [7] Set the initial output value in PODR, and the next output value in NDR. Set bits in DDR and NDER for which output is to be performed to 1. Using PCR, select the TPU compare match to be used as the output trigger.
- [8] Set the CST bit in TSTR to 1, and start the TCNT count operation.
- [9] Each time a TGRA compare match occurs, the next output value is transferred to NDR and the set value of the next output trigger period is transferred to TGRA. The activation source TGFA flag is cleared.
- [10] When the specified number of transfers are completed (the TPU transfer CRA value is 0), the TGFA flag is held at 1, the DTCE bit is cleared to 0, and a TGIA interrupt request is sent to the CPU. Termination processing should be performed in the interrupt handling routine.

### (3) Software Activation

An example is shown in which the DTC is used to transfer a block of 128 bytes of data by means of software activation. The transfer source address is H'1000 and the destination address is H'2000. The vector number is H'60, so the vector address is H'04C0.

- [1] Set MRA to incrementing source address (SM1 = 1, SM0 = 0), incrementing destination address (DM1 = 1, DM0 = 0), block transfer mode (MD1 = 1, MD0 = 0), and byte size (Sz = 0). The DTS bit can have any value. Set MRB for one block transfer by one interrupt (CHNE = 0). Set the transfer source address (H'1000) in SAR, the destination address (H'2000) in DAR, and 128 (H'8080) in CRA. Set 1 (H'0001) in CRB.
- [2] Set the start address of the register information at the DTC vector address (H'04C0).
- [3] Check that the SWDTE bit in DTVECR is 0. Check that there is currently no transfer activated by software.
- [4] Write 1 to the SWDTE bit and the vector number (H'60) to DTVECR. The write data is H'E0.
- [5] Read DTVECR again and check that it is set to the vector number (H'60). If it is not, this indicates that the write failed. This is presumably because an interrupt occurred between steps 3 and 4 and led to a different software activation. To activate this transfer, go back to step 3.
- [6] If the write was successful, the DTC is activated and a block of 128 bytes of data is transferred.
- [7] After the transfer, an SWDTEND interrupt occurs. The interrupt handling routine should clear the SWDTE bit to 0 and perform other wrap-up processing.

## 8.4 Interrupts

An interrupt request is issued to the CPU when the DTC finishes the specified number of data transfers, or a data transfer for which the DISEL bit was set to 1. In the case of interrupt activation, the interrupt set as the activation source is generated. These interrupts to the CPU are subject to CPU mask level and interrupt controller priority level control.

In the case of activation by software, a software activated data transfer end interrupt (SWDTEND) is generated.

When the DISEL bit is 1 and one data transfer has ended, or the specified number of transfers have ended, after data transfer ends, the SWDTE bit is held at 1 and an SWDTEND interrupt is generated. The interrupt handling routine should clear the SWDTE bit to 0.

When the DTC is activated by software, an SWDTEND interrupt is not generated during a data transfer wait or during data transfer even if the SWDTE bit is set to 1.

## 8.5 Usage Notes

**Module Stop:** When the MSTPA6 bit in MSTPCRA is set to 1, the DTC clock stops, and the DTC enters the module stop state. However, 1 cannot be written in the MSTPA6 bit while the DTC is operating.

**On-Chip RAM:** The MRA, MRB, SAR, DAR, CRA, and CRB registers are all located in on-chip RAM. When the DTC is used, the RAME bit in SYSCR must not be cleared to 0.

**DTCE Bit Setting:** For DTCE bit setting, use bit manipulation instructions such as BSET and BCLR. If all interrupts are masked, multiple activation sources can be set at one time by writing data after executing a dummy read on the relevant register.

# Section 9 I/O Ports

## 9.1 Overview

The H8S/2626 Series and H8S/2623 Series have seven I/O ports (ports 1 and A to F), and two input-only ports (ports 4 and 9).

Table 9-1 summarizes the port functions. The pins of each port also have other functions.

Each I/O port includes a data direction register (DDR) that controls input/output, a data register (DR) that stores output data, and a port register (PORT) used to read the pin states. The input-only ports do not have a DR or DDR register.

Ports A to E have a built-in pull-up MOS function, and in addition to DR and DDR, have a MOS input pull-up control register (PCR) to control the on/off state of MOS input pull-up.

Ports A to C include an open-drain control register (ODR) that controls the on/off state of the output buffer PMOS.

Ports 10 to 13, A0 to A3, and B to E can drive a single TTL load and 50 pF capacitive load when used as expansion bus control signal output pins. In other cases these ports, together with ports 14 to 17 and 3, can drive a single TTL load and 30 pF capacitive load. All the I/O ports can drive a Darlington transistor when in output mode. Ports 1, A, B, and C can drive an LED (10 mA sink current).

See Appendix C, I/O Port Block Diagrams, for a block diagram of each port.

**Table 9-1 Port Functions**

Port	Description	Pins	Mode 4	Mode 5	Mode 6	Mode 7
Port 1	<ul style="list-style-type: none"> <li>8-bit I/O port</li> <li>Schmitt-triggered input (P16 and P14)</li> </ul>	P17/PO15/TIOCB2/TCLKD P16/PO14/TIOCA2/ $\overline{\text{IRQ1}}$ P15/PO13/TIOCB1/TCLKC P14/PO12/TIOCA1/ $\overline{\text{IRQ0}}$ P13/PO11/TIOCD0/ TCLKB/A23 P12/PO10/TIOCC0/ TCLKA/A22 P11/PO9/TIOCB0/A21 P10/PO8/TIOCA0/A20	8-bit I/O port also functioning as TPU I/O pins (TCLKA, TCLKB, TCLKC, TCLKD, TIOCA0, TIOCB0, TIOCC0, TIOCD0, TIOCA1, TIOCB1, TIOCA2, TIOCB2), PPG output pins (PO15 to PO8), interrupt input pins ( $\overline{\text{IRQ0}}$ , $\overline{\text{IRQ1}}$ ), and address outputs (A20 to A23)			8-bit I/O port also functioning as TPU I/O pins (TCLKA, TCLKB, TCLKC, TCLKD, TIOCA0, TIOCB0, TIOCC0, TIOCD0, TIOCA1, TIOCB1, TIOCA2, TIOCB2), PPG output pins (PO15 to PO8), and interrupt input pins ( $\overline{\text{IRQ0}}$ , $\overline{\text{IRQ1}}$ )
Port 4	<ul style="list-style-type: none"> <li>8-bit input port</li> </ul>	P47/AN7 P46/AN6 P45/AN5 P44/AN4 P43/AN3 P42/AN2 P41/AN1 P40/AN0	8-bit input port also functioning as A/D converter analog inputs (AN7 to AN0)			
Port 9	<ul style="list-style-type: none"> <li>8-bit input port</li> </ul>	P97/AN15/DA3* <sup>1</sup> P96/AN14/DA2* <sup>1</sup> P95/AN13 P94/AN12 P93/AN11 P92/AN10 P91/AN9 P90/AN8	8-bit input port also functioning as A/D converter analog inputs (AN15 to AN8) and D/A converter analog outputs (DA3, DA2)			

Port	Description	Pins	Mode 4	Mode 5	Mode 6	Mode 7
Port A *2	<ul style="list-style-type: none"> <li>6-bit I/O port</li> <li>Built-in MOS input pull-up</li> <li>Open-drain output capability</li> </ul>	PA5 PA4 PA3/A19/SCK2 PA2/A18/RxD2 PA1/A17/TxD2 PA0/A16	6-bit I/O port also functioning as SCI (channel 2) I/O pins (TxD2, RxD2, SCK2), and address outputs (A19 to A16)			6-bit I/O port also functioning as SCI (channel 2) I/O pins (TxD2, RxD2, SCK2)
Port B	<ul style="list-style-type: none"> <li>8-bit I/O port</li> <li>Built-in MOS input pull-up</li> <li>Open-drain output capability</li> </ul>	PB7/A15/TIOCB5 PB6/A14/TIOCA5 PB5/A13/TIOCB4 PB4/A12/TIOCA4 PB3/A11/TIOCD3 PB2/A10/TIOCC3 PB1/A9/TIOCB3 PB0/A8/TIOCA3	8-bit I/O port also functioning as TPU I/O pins (TIOCB5, TIOCA5, TIOCB4, TIOCA4, TIOCD3, TIOCC3, TIOCB3, TIOCA3) and address outputs (A15 to A8)			8-bit I/O port also functioning as TPU I/O pins (TIOCB5, TIOCA5, TIOCB4, TIOCA4, TIOCD3, TIOCC3, TIOCB3, TIOCA3)
Port C	<ul style="list-style-type: none"> <li>8-bit I/O port</li> <li>Built-in MOS input pull-up</li> <li>Open-drain output capability</li> </ul>	PC7/A7 PC6/A6 PC5/A5/SCK1/ $\overline{\text{IRQ5}}$ PC4/A4/RxD1 PC3/A3/TxD1 PC2/A2/SCK0/ $\overline{\text{IRQ4}}$ PC1/A1/RxD0 PC0/A0/TxD0	Address output (A7 to A0)		8-bit I/O port also functioning as SCI (channel 0, 1) I/O pins (TxD0, RxD0, SCK0, TxD1, RxD1, SCK1), interrupt input pins ( $\overline{\text{IRQ4}}$ , $\overline{\text{IRQ5}}$ ), and address outputs (A7 to A0)	8-bit I/O port also functioning as SCI (channel 0, 1) I/O pins (TxD0, RxD0, SCK0, TxD1, RxD1, SCK1) and interrupt input pins ( $\overline{\text{IRQ4}}$ , $\overline{\text{IRQ5}}$ )
Port D	<ul style="list-style-type: none"> <li>8-bit I/O port</li> <li>Built-in MOS input pull-up</li> </ul>	PD7/D15 PD6/D14 PD5/D13 PD4/D12 PD3/D11 PD2/D10 PD1/D9 PD0/D8	Data bus input/output			I/O port

Port	Description	Pins	Mode 4	Mode 5	Mode 6	Mode 7
Port E	<ul style="list-style-type: none"> <li>• 8-bit I/O port</li> <li>• Built-in MOS input pull-up</li> </ul>	PE7/D7 PE6/D6 PE5/D5 PE4/D4 PE3/D3 PE2/D2 PE1/D1 PE0/D0	In 8-bit bus mode: I/O port In 16-bit bus mode: data bus input/output			I/O port
Port F	<ul style="list-style-type: none"> <li>• 8-bit I/O port</li> </ul>	PF7/ $\emptyset$	When DDR = 0: input port When DDR = 1 (after reset): $\emptyset$ output			When DDR = 0 (after reset): input port When DDR = 1: $\emptyset$ output
		PF6/ $\overline{AS}$ PF5/ $\overline{RD}$ PF4/ $\overline{HWR}$ PF3/ $\overline{LWR}/\overline{ADTRG}/\overline{IRQ3}$	$\overline{AS}$ , $\overline{RD}$ , $\overline{HWR}$ , $\overline{LWR}$ output $\overline{ADTRG}$ , $\overline{IRQ3}$ input			I/O port $\overline{ADTRG}$ , $\overline{IRQ3}$ input
		PF2/ $\overline{WAIT}/\overline{BREQ0}$	When WAITE = 0 and BREQOE = 0 (after reset): I/O port When WAITE = 1 and BREQOE = 0: $\overline{WAIT}$ input When WAITE = 0 and BREQOE = 1: $\overline{BREQ0}$ input			I/O port
		PF1/ $\overline{BACK}/\overline{BUZZ}$ *3 PF0/ $\overline{BREQ}/\overline{IRQ2}$	When BRLE = 0 (after reset): I/O port When BRLE = 1: $\overline{BREQ}$ input, $\overline{BACK}$ output, $\overline{BUZZ}$ output, $\overline{IRQ2}$ input			I/O port, $\overline{BUZZ}$ output, $\overline{IRQ2}$ input

Notes: \*1 DA3 and DA2 are outputs in the H8S/2626 Series only.

\*2 In the H8S/2626 Series, PA5 and PA4 are OSC2 and OSC1, respectively.

\*3 BUZZ output pin in the H8S/2626 Series only.

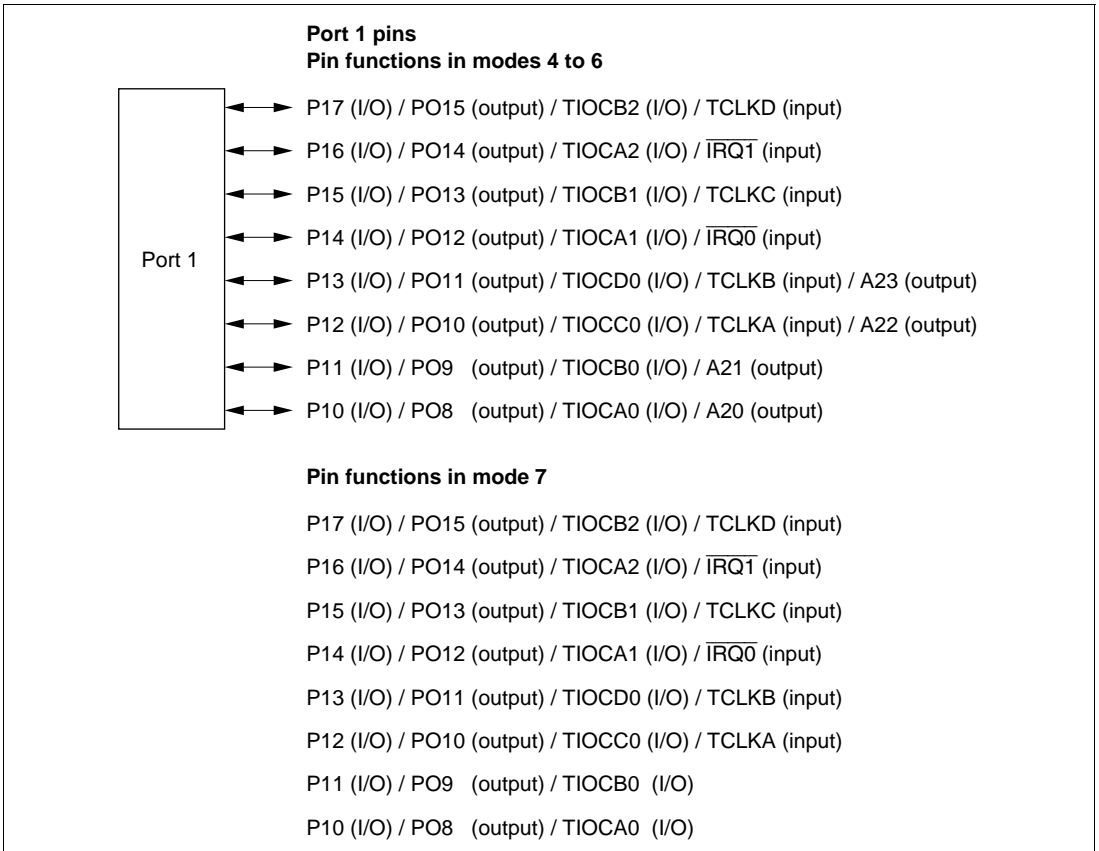


## 9.2 Port 1

### 9.2.1 Overview

Port 1 is an 8-bit I/O port. Port 1 pins also function as PPG output pins (PO15 to PO8), TPU I/O pins (TCLKA, TCLKB, TCLKC, TCLKD, TIOCA0, TIOCB0, TIOCC0, TIOCD0, TIOCA1, TIOCB1, TIOCA2, and TIOCB2), external interrupt pins ( $\overline{\text{IRQ0}}$  and  $\overline{\text{IRQ1}}$ ), and address bus output pins (A23 to A20). Port 1 pin functions change according to the operating mode.

Figure 9-1 shows the port 1 pin configuration.



**Figure 9-1 Port 1 Pin Functions**

## 9.2.2 Register Configuration

Table 9-2 shows the port 1 register configuration.

**Table 9-2 Port 1 Registers**

Name	Abbreviation	R/W	Initial Value	Address*
Port 1 data direction register	P1DDR	W	H'00	H'FE30
Port 1 data register	P1DR	R/W	H'00	H'FF00
Port 1 register	PORT1	R	Undefined	H'FFB0

Note: \* Lower 16 bits of the address.

### Port 1 Data Direction Register (P1DDR)

Bit	:	7	6	5	4	3	2	1	0
		P17DDR	P16DDR	P15DDR	P14DDR	P13DDR	P12DDR	P11DDR	P10DDR
Initial value :		0	0	0	0	0	0	0	0
R/W	:	W	W	W	W	W	W	W	W

P1DDR is an 8-bit write-only register, the individual bits of which specify input or output for the pins of port 1. P1DDR cannot be read; if it is, an undefined value will be read.

Setting a P1DDR bit to 1 makes the corresponding port 1 pin an output pin, while clearing the bit to 0 makes the pin an input pin.

P1DDR is initialized to H'00 by a reset, and in hardware standby mode. It retains its prior state in software standby mode.

### Port 1 Data Register (P1DR)

Bit	:	7	6	5	4	3	2	1	0
		P17DR	P16DR	P15DR	P14DR	P13DR	P12DR	P11DR	P10DR
Initial value :		0	0	0	0	0	0	0	0
R/W	:	R/W	R/W	R/W	R/W	R/W	R/W	R/W	R/W

P1DR is an 8-bit readable/writable register that stores output data for the port 1 pins (P17 to P10).

P1DR is initialized to H'00 by a reset, and in hardware standby mode. It retains its prior state in software standby mode.

## Port 1 Register (PORT1)

Bit	:	7	6	5	4	3	2	1	0
		P17	P16	P15	P14	P13	P12	P11	P10
Initial value :		—*	—*	—*	—*	—*	—*	—*	—*
R/W	:	R	R	R	R	R	R	R	R

Note: \* Determined by state of pins P17 to P10.

PORT1 is an 8-bit read-only register that shows the pin states. It cannot be written to. Writing of output data for the port 1 pins (P17 to P10) must always be performed on P1DR.

If a port 1 read is performed while P1DDR bits are set to 1, the P1DR values are read. If a port 1 read is performed while P1DDR bits are cleared to 0, the pin states are read.

After a reset and in hardware standby mode, PORT1 contents are determined by the pin states, as P1DDR and P1DR are initialized. PORT1 retains its prior state in software standby mode.

## 9.2.3 Pin Functions

Port 1 pins also function as PPG output pins (PO15 to PO8), TPU I/O pins (TCLKA, TCLKB, TCLKC, TCLKD, TIOCA0, TIOCB0, TIOCC0, TIOCD0, TIOCA1, TIOCB1, TIOCA2, and TIOCB2), external interrupt input pins ( $\overline{IRQ0}$  and  $\overline{IRQ1}$ ), and address bus output pins (A23 to A20). Port 1 pin functions are shown in table 9-3.

**Table 9-3 Port 1 Pin Functions**

Pin	Selection Method and Pin Functions				
P17/PO15/ TIOCB2/TCLKD	The pin function is switched as shown below according to the combination of the TPU channel 2 setting (by bits MD3 to MD0 in TMDR2, bits IOB3 to IOB0 in TIOR2, and bits CCLR1 and CCLR0 in TCR2), bits TPSC2 to TPSC0 in TCR0 and TCR5, bit NDER15 in NDERH, and bit P17DDR.				
TPU Channel 2 Setting	Table Below (1)		Table Below (2)		
P17DDR	—		0	1	1
NDER15	—		—	0	1
Pin function	TIOCB2 output		P17 input	P17 output	PO15 output
			TIOCB2 input * <sup>1</sup>		
	TCLKD input * <sup>2</sup>				

Notes: \*1 TIOCB2 input when MD3 to MD0 = B'0000 or B'01xx, and IOB3 = 1.

\*2 TCLKD input when the setting for either TCR0 or TCR5 is: TPSC2 to TPSC0 = B'111.

TCLKD input when channels 2 and 4 are set to phase counting mode.

TPU Channel 2 Setting	(2)	(1)	(2)	(2)	(1)	(2)
MD3 to MD0	B'0000, B'01xx		B'0010	B'0011		
IOB3 to IOB0	B'0000 B'0100 B'1xxx	B'0001 to B'0011 B'0101 to B'0111	—	B'xx00	Other than B'xx00	
CCLR1, CCLR0	—	—	—	—	Other than B'10	B'10
Output function	—	Output compare output	—	—	PWM mode 2 output	—

x: Don't care

P16/PO14/  
TIOCA2/IRQ1

The pin function is switched as shown below according to the combination of the TPU channel 2 setting (by bits MD3 to MD0 in TMDR2, bits IOA3 to IOA0 in TIOR2, and bits CCLR1 and CCLR0 in TCR2), bit NDER14 in NDERH, and bit P16DDR.

TPU Channel 2 Setting	Table Below (1)	Table Below (2)		
P16DDR	—	0	1	1
NDER14	—	—	0	1
Pin function	TIOCA2 output	P16 input	P16 output	PO14 output
		TIOCA2 input * <sup>1</sup>		
		IRQ1 input		

TPU Channel 2 Setting	(2)	(1)	(2)	(1)	(1)	(2)
MD3 to MD0	B'0000, B'01xx		B'001x	B'0010	B'0011	
IOA3 to IOA0	B'0000 B'0100 B'1xxx	B'0001 to B'0011 B'0101 to B'0111	B'xx00	Other than B'xx00		
CCLR1, CCLR0	—	—	—	—	Other than B'01	B'01
Output function	—	Output compare output	—	PWM mode 1 output * <sup>2</sup>	PWM mode 2 output	—

x: Don't care

Notes: \*1 TIOCA2 input when MD3 to MD0 = B'0000 or B'01xx, and IOA3 = 1.

\*2 TIOCB2 output is disabled.

P15/PO13/  
TIOCB1/TCLKC

The pin function is switched as shown below according to the combination of the TPU channel 1 setting (by bits MD3 to MD0 in TMDR1, bits IOB3 to IOB0 in TIOR1, and bits CCLR1 and CCLR0 in TCR1), bits TPSC2 to TPSC0 in TCR0, TCR2, TCR4, and TCR5, bit NDER13 in NDERH, and bit P15DDR.

TPU Channel 1 Setting	Table Below (1)	Table Below (2)		
P15DDR	—	0	1	1
NDER13	—	—	0	1
Pin function	TIOCB1 output	P15 input	P15 output	PO13 output
		TIOCB1 input * <sup>1</sup>		
		TCLKC input * <sup>2</sup>		

Notes: \*1 TIOCB1 input when MD3 to MD0 = B'0000 or B'01xx, and IOB3 to IOB0 = B'10xx.

\*2 TCLKC input when the setting for either TCR0 or TCR2 is: TPSC2 to TPSC0 = B'110; or when the setting for either TCR4 or TCR5 is TPSC2 to TPSC0 = B'101.

TCLKC input when channels 2 and 4 are set to phase counting mode.

TPU Channel 1 Setting	(2)	(1)	(2)	(2)	(1)	(2)
MD3 to MD0	B'0000, B'01xx		B'0010	B'0011		
IOB3 to IOB0	B'0000 B'0100 B'1xxx	B'0001 to B'0011 B'0101 to B'0111	—	B'xx00	Other than B'xx00	
CCLR1, CCLR0	—	—	—	—	Other than B'10	B'10
Output function	—	Output compare output	—	—	PWM mode 2 output	—

x: Don't care

P14/PO12/  
TIOCA1/IRQ0

The pin function is switched as shown below according to the combination of the TPU channel 1 setting (by bits MD3 to MD0 in TMDR1, bits IOA3 to IOA0 in TIOR1, and bits CCLR1 and CCLR0 in TCR1), bit NDER12 in NDERH, and bit P14DDR.

TPU Channel 1 Setting	Table Below (1)	Table Below (2)		
P14DDR	—	0	1	1
NDER12	—	—	0	1
Pin function	TIOCA1 output	P14 input	P14 output	PO12 output
		TIOCA1 input * <sup>1</sup>		
	IRQ0 input			

TPU Channel 1 Setting	(2)	(1)	(2)	(1)	(1)	(2)
MD3 to MD0	B'0000, B'01xx		B'001x	B'0010	B'0011	
IOA3 to IOA0	B'0000 B'0100 B'1xxx	B'0001 to B'0011 B'0101 to B'0111	B'xx00	Other than B'xx00	Other than B'xx00	
CCLR1, CCLR0	—	—	—	—	Other than B'01	B'01
Output function	—	Output compare output	—	PWM mode 1 output* <sup>2</sup>	PWM mode 2 output	—

x: Don't care

Notes: \*1 TIOCA1 input when MD3 to MD0 = B'0000 or B'01xx, and IOA3 to IOA0 = B'10xx.

\*2 TIOCB1 output is disabled.

P13/PO11/  
TIOCD0/TCLKB/  
A23

The pin function is switched as shown below according to the combination of the operating mode, and the TPU channel 0 setting (by bits MD3 to MD0 in TMDR0, bits IOD3 to IOD0 in TIOR0L, and bits CCLR2 to CCLR0 in TCR0), bits TPSC2 to TPSC0 in TCR0 to TCR2, bits AE3 to AE0 in PFCR, bit NDER11 in NDERH, and bit P13DDR.

Operating mode	Modes 4 to 6				
AE3 to AE0	B'0000 to B'1110				B'1111
TPU Channel 0 Setting	Table Below (1)	Table Below (2)			—
P13DDR	—	0	1	1	—
NDER11	—	—	0	1	—
Pin function	TIOCD0 output	P13 input	P13 output	PO11 output	A23 output
		TIOCD0 input * <sup>1</sup>			
	TCLKB input * <sup>2</sup>				

Operating mode	Mode 7				
AE3 to AE0	—				
TPU Channel 0 Setting	Table Below (1)	Table Below (2)			—
P13DDR	—	0	1	1	—
NDER11	—	—	0	1	—
Pin function	TIOCD0 output	P13 input	P13 output	PO11 output	A23 output
		TIOCD0 input * <sup>1</sup>			
	TCLKB input * <sup>2</sup>				

Notes: \*1 TIOCD0 input when MD3 to MD0 = B'0000, and IOD3 to IOD0 = B'10xx.

\*2 TCLKB input when the setting for TCR0 to TCR2 is: TPSC2 to TPSC0 = B'101.

TCLKB input when channels 1 and 5 are set to phase counting mode.



P13/PO11/  
TIOCD0/TCLKB/  
A23 (cont)

TPU Channel 0 Setting	(2)	(1)	(2)	(2)	(1)	(2)
MD3 to MD0	B'0000		B'0010	B'0011		
IOD3 to IOD0	B'0000 B'0100 B'1xxx	B'0001 to B'0011 B'0101 to B'0111	—	B'xx00	Other than B'xx00	
CCLR2 to CCLR0	—	—	—	—	Other than B'110	B'110
Output function	—	Output compare output	—	—	PWM mode 2 output	—

x: Don't care

P12/PO10/  
TIOCC0/TCLKA/  
A22

The pin function is switched as shown below according to the combination of the operating mode, and the TPU channel 0 setting (by bits MD3 to MD0 in TMDR0, bits IOC3 to IOC0 in TIOR0L, and bits CCLR2 to CCLR0 in TCR0), bits TPSC2 to TPSC0 in TCR0 to TCR5, bits AE3 to AE0 in PFCR, bit NDER10 in NDERH, and bit P12DDR.

Operating mode	Modes 4 to 6				
AE3 to AE0	B'0000 to B'1110				B'1111
TPU Channel 0 Setting	Table Below (1)	Table Below (2)			—
P12DDR	—	0	1	1	—
NDER10	—	—	0	1	—
Pin function	TIOCC0 output	P12 input	P12 output	PO10 output	A22 output
		TIOCC0 input * <sup>1</sup>			
	TCLKA input * <sup>2</sup>				

Operating mode	Mode 7				
AE3 to AE0	—				
TPU Channel 0 Setting	Table Below (1)	Table Below (2)			
P12DDR	—	0	1	1	
NDER10	—	—	0	1	
Pin function	TIOCC0 output	P12 input	P12 output	PO10 output	
		TIOCC0 input * <sup>1</sup>			
	TCLKA input * <sup>2</sup>				

P12/PO10/  
TIOCC0/TCLKA/  
A22 (cont)

TPU Channel 0 Setting	(2)	(1)	(2)	(1)	(1)	(2)
MD3 to MD0	B'0000		B'001x	B'0010	B'0011	
IOC3 to IOC0	B'0000 B'0100 B'1xxx	B'0001 to B'0011 B'0101 to B'0111	B'xx00	Other than B'xx00		
CCLR2 to CCLR0	—	—	—	—	Other than B'101	B'101
Output function	—	Output compare output	—	PWM mode 1 output* <sup>3</sup>	PWM mode 2 output	—

x: Don't care

Notes: \*1 TIOCC0 input when MD3 to MD0 = B'0000, and IOC3 to IOC0 = B'10xx.

\*2 TCLKA input when the setting for TCR0 to TCR5 is: TPSC2 to TPSC0 = B'100.

TCLKA input when channels 1 and 5 are set to phase counting mode.

\*3 TIOCD0 output is disabled.

When BFA = 1 or BFB = 1 in TMDR0, output is disabled and setting (2) applies.

P11/PO9/TIOCB0/A21 The pin function is switched as shown below according to the combination of the operating mode, and the TPU channel 0 setting (by bits MD3 to MD0 in TMDR0, and bits IOB3 to IOB0 in TIOR0H, and bits CCLR2 to CCLR0 in TCR0, bits AE3 to AE0 in PFCR, bit NDER9 in NDERH, and bit P11DDR.

Operating mode	Modes 4 to 6				
AE3 to AE0	B'0000 to B'1101				B'1110 to B'1111
TPU Channel 0 Setting	Table Below (1)	Table Below (2)			—
P11DDR	—	0	1	1	—
NDER9	—	—	0	1	—
Pin function	TIOCB0 output	P11 input	P11 output	PO9 output	A21 output
		TIOCB0 input *			

Operating mode	Mode 7				
AE3 to AE0	—				
TPU Channel 0 Setting	Table Below (1)	Table Below (2)			
P11DDR	—	0	1	1	
NDER9	—	—	0	1	
Pin function	TIOCB0 output	P11 input	P11 output	PO9 output	
		TIOCB0 input *			

Note: \* TIOCB0 input when MD3 to MD0 = B'0000, and IOB3 to IOB0 = B'10xx.

P11/PO9/TIOCB0/ A21 (cont)	TPU Channel 0 Setting	(2)	(1)	(2)	(2)	(1)	(2)
	MD3 to MD0	B'0000		B'0010	B'0011		
	IOB3 to IOB0	B'0000 B'0100 B'1xxx	B'0001 to B'0011 B'0101 to B'0111	—	B'xx00	Other than B'xx00	
	CCLR2 to CCLR0	—	—	—	—	Other than B'010	B'010
	Output function	—	Output compare output	—	—	PWM mode 2 output	—

x: Don't care

P10/PO8/TIOCA0/A20 The pin function is switched as shown below according to the combination of the operating mode, and the TPU channel 0 setting (by bits MD3 to MD0 in TMDR0, bits IOA3 to IOA0 in TIOR0H, and bits CCLR2 to CCLR0 in TCRO), bits AE3 to AE0 in PFCR, bit NDER8 in NDERH, and bit P10DDR.

Operating mode	Modes 4 to 6				
AE3 to AE0	B'0000 to B'1110				B'1101 to B'1111
TPU Channel 0 Setting	Table Below (1)	Table Below (2)			—
P10DDR	—	0	1	1	—
NDER8	—	—	0	1	—
Pin function	TIOCA0 output	P10 input	P10 output	PO8 output	A20 output
		TIOCA0 input * <sup>1</sup>			

Operating mode	Mode 7				
AE3 to AE0	—				
TPU Channel 0 Setting	Table Below (1)	Table Below (2)			
P10DDR	—	0	1	1	
NDER8	—	—	0	1	
Pin function	TIOCA0 output	P10 input	P10 output	PO8 output	
		TIOCA0 input * <sup>1</sup>			

P10/PO8/TIOCA0/ A20 (cont)	TPU Channel 0 Setting	(2)	(1)	(2)	(1)	(1)	(2)
	MD3 to MD0	B'0000		B'001x	B'0010	B'0011	
	IOA3 to IOA0	B'0000 B'0100 B'1xxx	B'0001 to B'0011 B'0101 to B'0111	B'xx00	Other than B'xx00		
	CCLR2 to CCLR0	—	—	—	—	Other than B'001	B'001
	Output function	—	Output compare output	—	PWM mode 1 output* <sup>2</sup>	PWM mode 2 output	—

x: Don't care

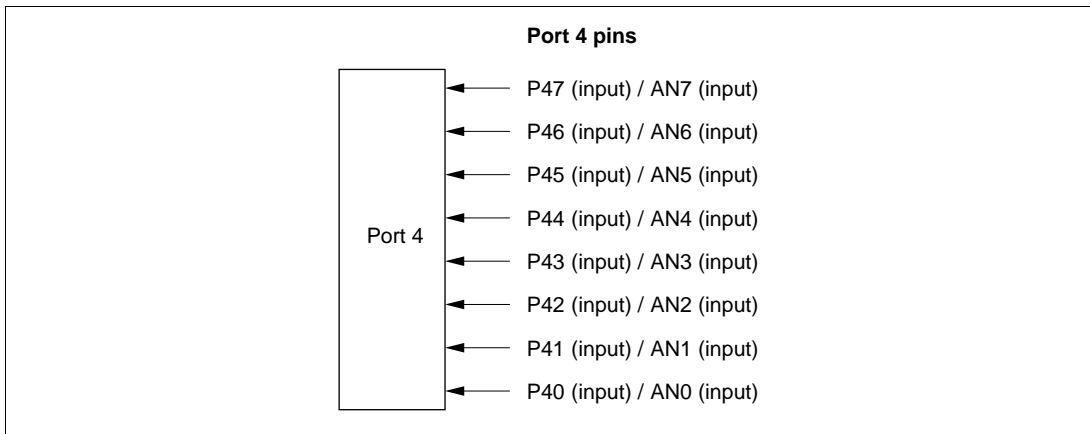
Notes: \*1 TIOCA0 input when MD3 to MD0 = B'0000, and IOA3 to IOA0 = B'10xx.

\*2 TIOCB0 output is disabled.

## 9.3 Port 4

### 9.3.1 Overview

Port 4 is an 8-bit input-only port. Port 4 pins also function as A/D converter analog input pins (AN0 to AN7). Port 4 pin functions are the same in all operating modes. Figure 9-2 shows the port 4 pin configuration.



**Figure 9-2 Port 4 Pin Functions**



### 9.3.2 Register Configuration

Table 9-4 shows the port 4 register configuration. Port 4 is an input-only port, and does not have a data direction register or data register.

**Table 9-4 Port 4 Registers**

Name	Abbreviation	R/W	Initial Value	Address*
Port 4 register	PORT4	R	Undefined	H'FFB3

Note: \* Lower 16 bits of the address.

**Port 4 Register (PORT4):** The pin states are always read when a port 4 read is performed.

Bit	:	7	6	5	4	3	2	1	0
		P47	P46	P45	P44	P43	P42	P41	P40
Initial value :		—*	—*	—*	—*	—*	—*	—*	—*
R/W	:	R	R	R	R	R	R	R	R

Note: \* Determined by state of pins P47 to P40.

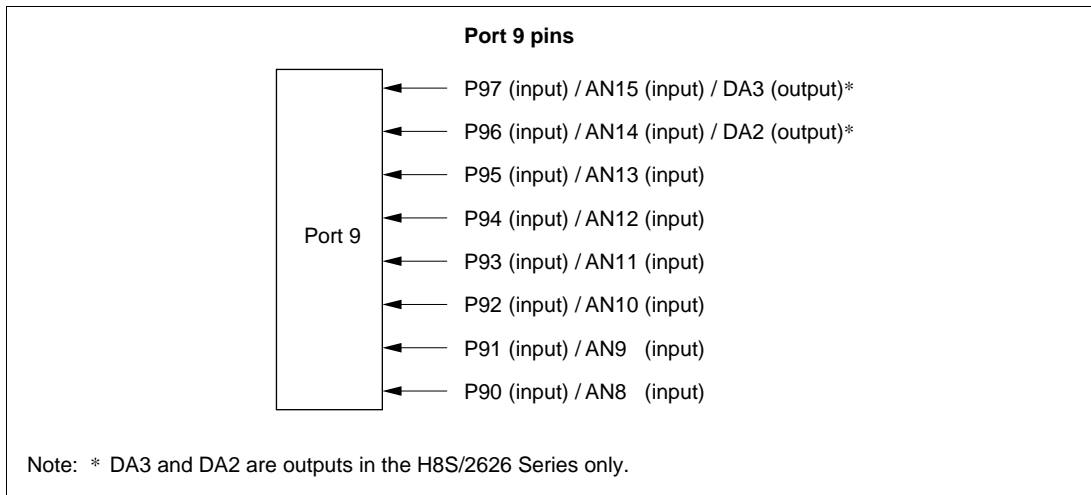
### 9.3.3 Pin Functions

Port 4 pins also function as A/D converter analog input pins (AN0 to AN7).

## 9.4 Port 9

### 9.4.1 Overview

Port 9 is an 8-bit input-only port. Port 9 pins also function as A/D converter analog input pins (AN8 to AN15) and D/A converter analog output pins (DA3, DA2). Port 9 pin functions are the same in all operating modes. Figure 9-3 shows the port 9 pin configuration.



**Figure 9-3 Port 9 Pin Functions**

## 9.4.2 Register Configuration

Table 9-5 shows the port 9 register configuration. Port 9 is an input-only port, and does not have a data direction register or data register.

**Table 9-5 Port 9 Registers**

Name	Abbreviation	R/W	Initial Value	Address*
Port 9 register	PORT9	R	Undefined	H'FFB8

Note: \* Lower 16 bits of the address.

**Port 9 Register (PORT9):** The pin states are always read when a port 9 read is performed.

Bit	:	7	6	5	4	3	2	1	0
		P97	P96	P95	P94	P93	P92	P91	P90
Initial value :		—*	—*	—*	—*	—*	—*	—*	—*
R/W	:	R	R	R	R	R	R	R	R

Note: \* Determined by state of pins P97 to P90.

## 9.4.3 Pin Functions

Port 9 pins also function as A/D converter analog input pins (AN8 to AN15) and D/A converter analog output pins (DA3, DA2).

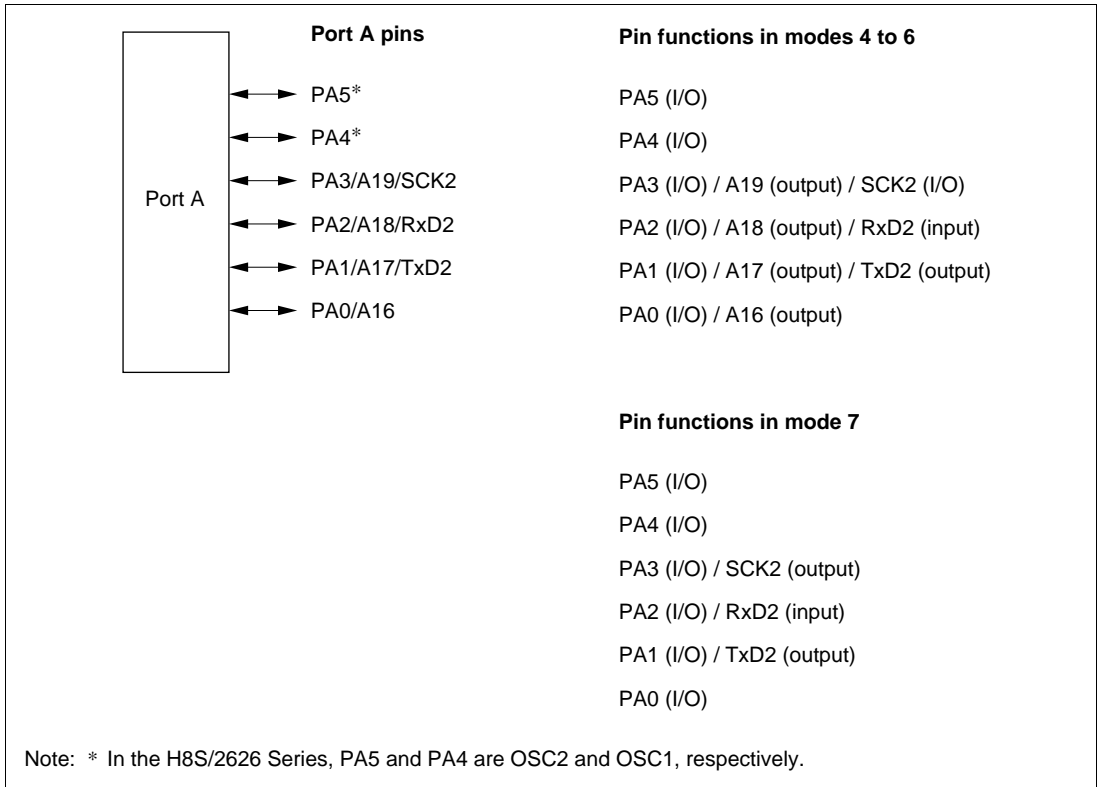
## 9.5 Port A

### 9.5.1 Overview

Port A is a 6-bit I/O port. Port A pins also function as address bus outputs and SCI2 I/O pins (SCK2, RxD2, and TxD2). The pin functions change according to the operating mode.

Port A has a built-in MOS input pull-up function that can be controlled by software.

Figure 9-4 shows the port A pin configuration.



**Figure 9-4 Port A Pin Functions**

## 9.5.2 Register Configuration

Table 9-6 shows the port A register configuration.

**Table 9-6 Port A Registers**

Name	Abbreviation	R/W	Initial Value* <sup>2</sup>	Address* <sup>1</sup>
Port A data direction register	PADDR	W	H'0	H'FE39
Port A data register	PADR	R/W	H'0	H'FF09
Port A register	PORTA	R	Undefined	H'FFB9
Port A MOS pull-up control register	PAPCR	R/W	H'0	H'FE40
Port A open-drain control register	PAODR	R/W	H'0	H'FE47

Notes: \*1 Lower 16 bits of the address.

\*2 Value of bits 3 to 0.

### Port A Data Direction Register (PADDR)

Bit	:	7	6	5	4	3	2	1	0
		—	—	PA5DDR*	PA4DDR*	PA3DDR	PA2DDR	PA1DDR	PA0DDR
Initial value :		Undefined	Undefined	0	0	0	0	0	0
R/W	:	—	—	W	W	W	W	W	W

Note: \* In the H8S/2626 Series bits 5 and 4 are reserved, and will return an undefined value if read.

PADDR is an 8-bit write-only register, the individual bits of which specify input or output for the pins of port A. PADDR cannot be read; if it is, an undefined value will be read.

Bits 7 and 6 are reserved; they return an undetermined value if read.

PADDR is initialized to H'0 (bits 5 to 0) by a reset, and in hardware standby mode. It retains its prior state in software standby mode. The OPE bit in SBYCR is used to select whether the address output pins retain their output state or become high-impedance when a transition is made to software standby mode.

- Modes 4 to 6

The corresponding port A pins become address outputs in accordance with the setting of bits AE3 to AE0 in PFCR, irrespective of the value of bits PA5DDR to PA0DDR. When pins are not used as address outputs, setting a PADDR bit to 1 makes the corresponding port A pin an output port, while clearing the bit to 0 makes the pin an input port.

- Mode 7

Setting a PADDR bit to 1 makes the corresponding port A pin an output port, while clearing the bit to 0 makes the pin an input port.

### Port A Data Register (PADR)

Bit	:	7	6	5	4	3	2	1	0
		—	—	PA5DR*	PA4DR*	PA3DR	PA2DR	PA1DR	PA0DR
Initial value :		Undefined	Undefined	0	0	0	0	0	0
R/W	:	—	—	R/W	R/W	R/W	R/W	R/W	R/W

Note: \* In the H8S/2626 Series bits 5 and 4 are reserved, and will return an undefined value if read.

PADR is an 8-bit readable/writable register that stores output data for the port A pins (PA5 to PA0).

Bits 7 and 6 are reserved; they return an undetermined value if read, and cannot be modified.

PADR is initialized to H'0 (bits 5 to 0) by a reset, and in hardware standby mode. It retains its prior state in software standby mode.

### Port A Register (PORTA)

Bit	:	7	6	5	4	3	2	1	0
		—	—	PA5* <sup>2</sup>	PA4* <sup>2</sup>	PA3	PA2	PA1	PA0
Initial value :		Undefined	Undefined	—* <sup>1</sup>	—* <sup>1</sup>	—* <sup>1</sup>	—* <sup>1</sup>	—* <sup>1</sup>	—* <sup>1</sup>
R/W	:	—	—	R	R	R	R	R	R

Notes: \*1 Determined by state of pins PA5 to PA0.

\*2 In the H8S/2626 Series bits 5 and 4 are reserved, and will return an undefined value if read.

PORTA is an 8-bit read-only register that shows the pin states. It cannot be written to. Writing of output data for the port A pins (PA5 to PA0) must always be performed on PADR.

Bits 7 and 6 are reserved; they return an undetermined value if read, and cannot be modified.

If a port A read is performed while PADDR bits are set to 1, the PADR values are read. If a port A read is performed while PADDR bits are cleared to 0, the pin states are read.

After a reset and in hardware standby mode, PORTA contents are determined by the pin states, as PADDR and PADR are initialized. PORTA retains its prior state in software standby mode.

## Port A MOS Pull-Up Control Register (PAPCR)

Bit	:	7	6	5	4	3	2	1	0
		—	—	PA5PCR*	PA4PCR*	PA3PCR	PA2PCR	PA1PCR	PA0PCR
Initial value	:	Undefined	Undefined	0	0	0	0	0	0
R/W	:	—	—	R/W	R/W	R/W	R/W	R/W	R/W

Note: \* In the H8S/2626 Series bits 5 and 4 are reserved, and will return an undefined value if read.

PAPCR is an 8-bit readable/writable register that controls the MOS input pull-up function incorporated into port A on an individual bit basis.

Bits 7 and 6 are reserved; they return an undetermined value if read, and cannot be modified. In modes 4 to 6, if a pin is in the input state in accordance with the settings in PFCR, in the SCI's SCMR, SMR, and SCR, and in DDR, setting the corresponding PAPCR bit to 1 turns on the MOS input pull-up for that pin.

In mode 7, if a pin is in the input state in accordance with the settings in the SCI's SCMR, SMR, and SCR, and in DDR, setting the corresponding PAPCR bit to 1 turns on the MOS input pull-up for that pin.

PAPCR is initialized to H'0 (bits 5 to 0) by a reset, and in hardware standby mode. It retains its prior state in software standby mode.

## Port A Open Drain Control Register (PAODR)

Bit	:	7	6	5	4	3	2	1	0
		—	—	PA5ODR*	PA4ODR*	PA3ODR	PA2ODR	PA1ODR	PA0ODR
Initial value	:	Undefined	Undefined	0	0	0	0	0	0
R/W	:	—	—	R/W	R/W	R/W	R/W	R/W	R/W

Note: \* In the H8S/2626 Series bits 5 and 4 are reserved, and will return an undefined value if read.

PAODR is an 8-bit readable/writable register that controls whether PMOS is on or off for each port A pin (PA5 to PA0).

Bits 7 and 6 are reserved; they return an undetermined value if read, and cannot be modified.

When pins are not address outputs in accordance with the setting of bits AE3 to AE0 in PFCR, setting a PAODR bit makes the corresponding port A pin an NMOS open-drain output, while clearing the bit to 0 makes the pin a CMOS output.

PAODR is initialized to H'0 (bits 3 to 0) by a reset, and in hardware standby mode. It retains its prior state in software standby mode.

### 9.5.3 Pin Functions

Port A pins also function as SCI input/output pins (TxD2, RxD2, SCK2) and address bus output pins (A19 to A16). Port A pin functions are shown in table 9-7.

**Table 9-7 Port A Pin Functions**

Pin	Selection Method and Pin Functions						
PA5*	The pin function is switched as shown below according to bit PA5DDR.						
	PA5DDR	0			1		
	Pin function	PA5 input			PA5 output		
Note: * In the H8S/2626 Series, PA5 is OSC2.							
PA4*	The pin function is switched as shown below according to bit PA4DDR.						
	PA4DDR	0			1		
	Pin function	PA4 input			PA4 output		
Note: * In the H8S/2626 Series, PA4 is OSC1.							
PA3/A19/SCK2	The pin function is switched as shown below according to the operating mode, bits AE3 to AE0 in PFCR, bit C/ $\bar{A}$ in SMR and bits CKE0 and CKE1 in SCR of SCI2, and bit PA3DDR.						
	Operating mode	Modes 4 to 6					
	AE3 to AE0	B'0000 to B'1011				B'1100 to B'1111	
	CKE1	0		1	—		
	C/ $\bar{A}$	0		1	—	—	
	CKE0	0	1	—	—	—	
	PA3DDR	0	1	—	—	—	
	Pin function	PA3 input	PA3 output	SCK2 output	SCK2 output	SCK2 input	A19 output
	Operating mode	Mode 7					
	CKE1	0				1	
C/ $\bar{A}$	0			1	—		
CKE0	0		1	—	—		
PA3DDR	0	1	—	—	—		
Pin function	PA3 input	PA3 output	SCK2 output	SCK2 output	SCK2 input		



**Pin****Selection Method and Pin Functions**

PA2/A18/RxD2 The pin function is switched as shown below according to the operating mode, bits AE3 to AE0 in PFCR, bit RE in SCR of SCI2, and bit PA2DDR.

Operating mode	Modes 4 to 6			
AE3 to AE0	B'0000 to B'1011			B'1011 to B'1111
RE	0		1	—
PA2DDR	0	1	—	—
Pin function	PA2 input	PA2 output	RxD2 input	A18 output

Operating mode	Mode 7		
RE	0		1
PA2DDR	0	1	—
Pin function	PA2 input	PA2 output	RxD2 input

PA1/A17/TxD2 The pin function is switched as shown below according to the operating mode, bits AE3 to AE0 in PFCR, bit TE in SCR of SCI2, and bit PA1DDR.

Operating mode	Modes 4 to 6			
AE3 to AE0	B'0000 to B'1001			B'1010 to B'1111
TE	0		1	—
PA1DDR	0	1	—	—
Pin function	PA1 input	PA1 output	TxD2 output	A17 output

Operating mode	Mode 7		
TE	0		1
PA1DDR	0	1	—
Pin function	PA1 input	PA1 output	TxD2 output

**Pin****Selection Method and Pin Functions**

PA0/A16

The pin function is switched as shown below according to the operating mode, bits AE3 to AE0 in PFCR, and bit PA0DDR.

Operating mode	Modes 4 to 6		
AE3 to AE0	B'0000 to B'1000		B'1001 to B'1111
PA0DDR	0	1	—
Pin function	PA0 input	PA0 output	A16 output

Operating mode	Mode 7	
PA0DDR	0	1
Pin function	PA0 input	PA0 output

## 9.5.4 MOS Input Pull-Up Function

Port A has a built-in MOS input pull-up function that can be controlled by software. MOS input pull-up can be specified as on or off on an individual bit basis.

In modes 4 to 6, if a pin is in the input state in accordance with the settings in PFCR, in the SCI's SCMR, SMR, and SCR, and in DDR, setting the corresponding PAPCR bit to 1 turns on the MOS input pull-up for that pin.

In mode 7, if a pin is in the input state in accordance with the settings in the SCI's SCMR, SMR, and SCR, and in DDR, setting the corresponding PAPCR bit to 1 turns on the MOS input pull-up for that pin.

The MOS input pull-up function is in the off state after a reset, and in hardware standby mode. The prior state is retained in software standby mode.

Table 9-8 summarizes the MOS input pull-up states.

**Table 9-8 MOS Input Pull-Up States (Port A)**

<b>Pin States</b>	<b>Power-On Reset</b>	<b>Hardware Standby Mode</b>	<b>Software Standby Mode</b>	<b>In Other Operations</b>
Address output or SCI output	OFF	OFF	OFF	OFF
Other than above			ON/OFF	ON/OFF

**Legend:**

OFF : MOS input pull-up is always off.

ON/OFF : On when PADDR = 0 and PAPCR = 1; otherwise off.

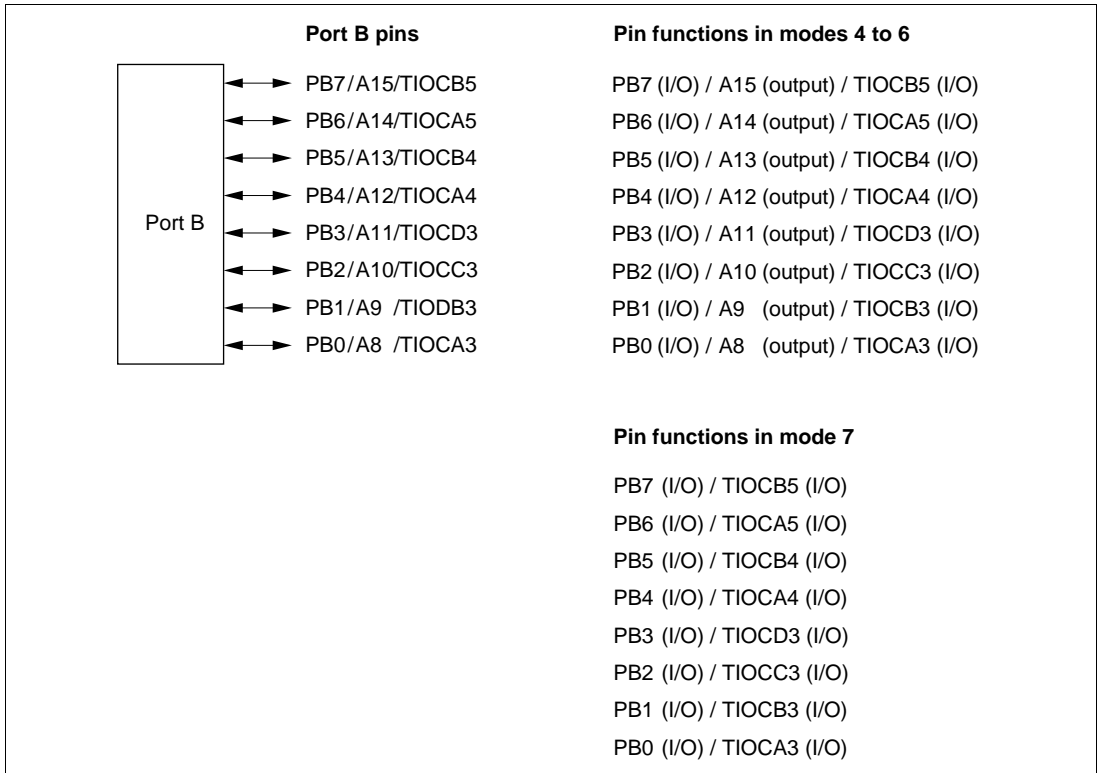
## 9.6 Port B

### 9.6.1 Overview

Port B is an 8-bit I/O port. Port B pins also function as TPU I/O pins (TIOCA3, TIOCB3, TIOCC3, TIOCD3, TIOCA4, TIOCB4, TIOCA5, TIOCB5) and as address outputs; the pin functions change according to the operating mode.

Port B has a built-in MOS input pull-up function that can be controlled by software.

Figure 9-5 shows the port B pin configuration.



**Figure 9-5 Port B Pin Functions**

## 9.6.2 Register Configuration

Table 9-9 shows the port B register configuration.

**Table 9-9 Port B Registers**

Name	Abbreviation	R/W	Initial Value	Address*
Port B data direction register	PBDDR	W	H'00	H'FE3A
Port B data register	PBDR	R/W	H'00	H'FF0A
Port B register	PORTB	R	Undefined	H'FFBA
Port B MOS pull-up control register	PBPCR	R/W	H'00	H'FE41
Port B open-drain control register	PBODR	R/W	H'00	H'FE48

Note: \* Lower 16 bits of the address.

### Port B Data Direction Register (PBDDR)

Bit	:	7	6	5	4	3	2	1	0
		PB7DDR	PB6DDR	PB5DDR	PB4DDR	PB3DDR	PB2DDR	PB1DDR	PB0DDR
Initial value :		0	0	0	0	0	0	0	0
R/W	:	W	W	W	W	W	W	W	W

PBDDR is an 8-bit write-only register, the individual bits of which specify input or output for the pins of port B. PBDDR cannot be read; if it is, an undefined value will be read.

PBDDR is initialized to H'00 by a reset, and in hardware standby mode. It retains its prior state in software standby mode. The OPE bit in SBYCR is used to select whether the address output pins retain their output state or become high-impedance when a transition is made to software standby mode.

- Modes 4 to 6

The corresponding port B pins become address outputs in accordance with the setting of bits AE3 to AE0 in PFCR, irrespective of the value of the PBDDR bits. When pins are not used as address outputs, setting a PBDDR bit to 1 makes the corresponding port B pin an output port, while clearing the bit to 0 makes the pin an input port.

- Mode 7

Setting a PBDDR bit to 1 makes the corresponding port B pin an output port, while clearing the bit to 0 makes the pin an input port.

## Port B Data Register (PBDR)

Bit	:	7	6	5	4	3	2	1	0
		PB7DR	PB6DR	PB5DR	PB4DR	PB3DR	PB2DR	PB1DR	PB0DR
Initial value :		0	0	0	0	0	0	0	0
R/W	:	R/W	R/W	R/W	R/W	R/W	R/W	R/W	R/W

PBDR is an 8-bit readable/writable register that stores output data for the port B pins (PB7 to PB0). PBDR is initialized to H'00 by a reset, and in hardware standby mode. It retains its prior state in software standby mode.

## Port B Register (PORTB)

Bit	:	7	6	5	4	3	2	1	0
		PB7	PB6	PB5	PB4	PB3	PB2	PB1	PB0
Initial value :		—*	—*	—*	—*	—*	—*	—*	—*
R/W	:	R	R	R	R	R	R	R	R

Note: \* Determined by state of pins PB7 to PB0.

PORTB is an 8-bit read-only register that shows the pin states. It cannot be written to. Writing of output data for the port B pins (PB7 to PB0) must always be performed on PBDR.

If a port B read is performed while PBDDR bits are set to 1, the PBDR values are read. If a port B read is performed while PBDDR bits are cleared to 0, the pin states are read.

After a reset and in hardware standby mode, PORTB contents are determined by the pin states, as PBDDR and PBDR are initialized. PORTB retains its prior state in software standby mode.

## Port B MOS Pull-Up Control Register (PBPCR)

Bit	:	7	6	5	4	3	2	1	0
		PB7PCR	PB6PCR	PB5PCR	PB4PCR	PB3PCR	PB2PCR	PB1PCR	PB0PCR
Initial value	:	0	0	0	0	0	0	0	0
R/W	:	R/W	R/W	R/W	R/W	R/W	R/W	R/W	R/W

PBPCR is an 8-bit readable/writable register that controls the MOS input pull-up function incorporated into port B on an individual bit basis.

In modes 4 to 6, if a pin is in the input state in accordance with the settings in PFCR, in the TPU's TIOR, and in DDR, setting the corresponding PBPCR bit to 1 turns on the MOS input pull-up for that pin.

In mode 7, if a pin is in the input state in accordance with the settings in the TPU's TIOR and in DDR, setting the corresponding PBPCR bit to 1 turns on the MOS input pull-up for that pin.

PBPCR is initialized to H'00 by a reset, and in hardware standby mode. It retains its prior state in software standby mode.

## Port B Open Drain Control Register (PBODR)

Bit	:	7	6	5	4	3	2	1	0
		PB7ODR	PB6ODR	PB5ODR	PB4ODR	PB3ODR	PB2ODR	PB1ODR	PB0ODR
Initial value	:	0	0	0	0	0	0	0	0
R/W	:	R/W	R/W	R/W	R/W	R/W	R/W	R/W	R/W

PBODR is an 8-bit readable/writable register that controls the PMOS on/off state for each port B pin (PB7 to PB0).

When pins are not address outputs in accordance with the setting of bits AE3 to AE0 in PFCR, setting a PBODR bit makes the corresponding port B pin an NMOS open-drain output, while clearing the bit to 0 makes the pin a CMOS output.

PBODR is initialized to H'00 by a reset, and in hardware standby mode. It retains its prior state in software standby mode.

### 9.6.3 Pin Functions

Port B pins also function as TPU input/output pins (TIOCA3, TIOCB3, TIOCC3, TIOCD3, TIOCA4, TIOCB4, TIOCA5, TIOCB5) and address bus output pins (A15 to A8). Port B pin functions are shown in table 9-10.

**Table 9-10 Port B Pin Functions**
**Pin Selection Method and Pin Functions**

PB7/A15/  
TIOCB5 The pin function is switched as shown below according to the operating mode, bits AE3 to AE0 in PFCR, the TPU channel 5 settings by bits MD3 to MD0 in TMDR5, bits IOB3 to IOB0 in TIOR5, and bits CCLR1 and CCLR0 in TCR5, and bit PB7DDR.

Operating mode	Modes 4 to 6			
AE3 to AE0	B'0000 to B'0111			B'1000 to B'1111
TPU channel 5 settings	(1) in table below	(2) in table below		—
PB7DDR	—	0	1	—
Pin function	TIOCB5 output	PB7 input	PB7 output	A15 output
		TIOCB5 input*		

Operating mode	Mode 7		
TPU channel 5 settings	(1) in table below	(2) in table below	
PB7DDR	—	0	1
Pin function	TIOCB5 output	PB7 input	PB7 output
		TIOCB5 input*	

TPU channel 5 settings	(2)	(1)	(2)	(2)	(1)	(2)
MD3 to MD0	B'0000, B'01xx		B'0010	B'0011		
IOB3 to IOB0	B'0000, B'0100, B'1xxx	B'0001 to B'0011, B'0101 to B'0111	—	B'xx00	Not B'xx00	
CCLR1, CCLR0	—	—	—	—	Not B'10	B'10
Output function	—	Output compare output	—	—	PWM mode 2 output	—

x: Don't care

Note: \* TIOCB5 input when MD3 to MD0 = B'0000 or B'01xx, and IOB3 = 1.



## Pin Selection Method and Pin Functions

PB6/A14/  
TIOCA5 The pin function is switched as shown below according to the operating mode, bits AE3 to AE0 in PFCR, the TPU channel 5 settings by bits MD3 to MD0 in TMDR5, bits IOA3 to IOA0 in TIOR5, and bits CCLR1 and CCLR0 in TCR5, and bit PB6DDR.

Operating mode	Modes 4 to 6			
AE3 to AE0	B'0000 to B'0110			B'0111 to B'1111
TPU channel 5 settings	(1) in table below	(2) in table below		—
PB6DDR	—	0	1	—
Pin function	TIOCA5 output	PB6 input	PB6 output	A14 output
		TIOCA5 input* <sup>1</sup>		

Operating mode	Mode 7		
TPU channel 5 settings	(1) in table below	(2) in table below	
PB6DDR	—	0	1
Pin function	TIOCA5 output	PB6 input	PB6 output
		TIOCA5 input* <sup>1</sup>	

TPU channel 5 settings	(2)	(1)	(2)	(1)	(1)	(2)
MD3 to MD0	B'0000, B'01xx		B'001x	B'0010	B'0011	
IOA3 to IOA0	B'0000, B'0100, B'1xxx	B'0001 to B'0011, B'0101 to B'0111	B'xx00	Not B'xx00	Not B'xx00	
CCLR1, CCLR0	—	—	—	—	Not B'01	B'01
Output function	—	Output compare output	—	PWM mode 1 output* <sup>2</sup>	PWM mode 2 output	—

x: Don't care

Notes: \*1 TIOCA5 input when MD3 to MD0 = B'0000 or B'01xx, and IOA3 = 1.

\*2 TIOCB5 is disabled for output.

## Pin Selection Method and Pin Functions

PB5/A13/  
TIOCB4 The pin function is switched as shown below according to the operating mode, bits AE3 to AE0 in PFCR, the TPU channel 4 settings by bits MD3 to MD0 in TMDR4, bits IOB3 to IOB0 in TIOR4, and bits CCLR1 and CCLR0 in TCR4, and bit PB5DDR.

Operating mode	Modes 4 to 6			
AE3 to AE0	B'0000 to B'0101			B'0110 to B'1111
TPU channel 4 settings	(1) in table below	(2) in table below		—
PB5DDR	—	0	1	—
Pin function	TIOCB4 output	PB5 input	PB5 output	A13 output
		TIOCB4 input*		

Operating mode	Mode 7		
TPU channel 4 settings	(1) in table below	(2) in table below	
PB5DDR	—	0	1
Pin function	TIOCB4 output	PB5 input	PB5 output
		TIOCB4 input*	

TPU channel 5 settings	(2)	(1)	(2)	(2)	(1)	(2)
MD3 to MD0	B'0000, B'01xx		B'0010	B'0011		
IOB3 to IOB0	B'0000, B'0100, B'1xxx	B'0001 to B'0011, B'0101 to B'0111	—	B'xx00	Not B'xx00	
CCLR1, CCLR0	—	—	—	—	Not B'10	B'10
Output function	1	Output compare output	1	1	PWM mode 2 output	1

x: Don't care

Note: \* TIOCB4 input when MD3 to MD0 = B'0000 or B'01xx, and IOB3 to IOB0 = B'10xx.

## Pin Selection Method and Pin Functions

PB4/A12/  
TIOCA4 The pin function is switched as shown below according to the operating mode, bits AE3 to AE0 in PFCR, the TPU channel 5 settings by bits MD3 to MD0 in TMDR4, bits IOA3 to IOA0 in TIOR4, and bits CCLR1 and CCLR0 in TCR4, and bit PB4DDR.

Operating mode	Modes 4 to 6			
AE3 to AE0	B'0000 to B'0100			B'0101 to B'1111
TPU channel 4 settings	(1) in table below	(2) in table below		—
PB4DDR	—	0	1	—
Pin function	TIOCA4 output	PB4 input	PB4 output	A12 output
		TIOCA4 input* <sup>1</sup>		

Operating mode	Mode 7		
TPU channel 4 settings	(1) in table below	(2) in table below	
PB4DDR	—	0	1
Pin function	TIOCA4 output	PB4 input	PB4 output
		TIOCA4 input* <sup>1</sup>	

TPU channel 4 settings	(2)	(1)	(2)	(1)	(1)	(2)
MD3 to MD0	B'0000, B'01xx		B'001x	B'0010	B'0011	
IOA3 to IOA0	B'0000, B'0100, B'1xxx	B'0001 to B'0011, B'0101 to B'0111	B'xx00	Not B'xx00	Not B'xx00	
CCLR1, CCLR0	—	—	—	—	Not B'01	B'01
Output function	—	Output compare output	—	PWM mode 1 output* <sup>2</sup>	PWM mode 2 output	—

x: Don't care

Notes: \*1 TIOCA4 input when MD3 to MD0 = B'0000 or B'01xx, and IOA3 to IOA0 = B'10xx.

\*2 TIOCB4 is disabled for output.

## Pin Selection Method and Pin Functions

PB3/A11/  
TIOCD3 The pin function is switched as shown below according to the operating mode, bits AE3 to AE0 in PFCR, the TPU channel 3 settings by bits MD3 to MD0 in TMDR3, bits IOD3 to IOD0 in TIOR3L, and bits CCLR2 to CCLR0 in TCR3, and bit PB3DDR.

Operating mode	Modes 4 to 6			
AE3 to AE0	B'0000 to B'0011			B'0100 to B'1111
TPU channel 3 settings	(1) in table below	(2) in table below		—
PB3DDR	—	0	1	—
Pin function	TIOCD3 output	PB3 input	PB3 output	A11 output
		TIOCD3 input*		

Operating mode	Mode 7		
TPU channel 3 settings	(1) in table below	(2) in table below	
PB3DDR	—	0	1
Pin function	TIOCD3 output	PB3 input	PB3 output
		TIOCD3 input*	

TPU channel 3 settings	(2)	(1)	(2)	(2)	(1)	(2)
MD3 to MD0	B'0000		B'0010	B'0011		
IOD3 to IOD0	B'0000, B'0100, B'1xxx	B'0001 to B'0011, B'0101 to B'0111	—	B'xx00	Not B'xx00	
CCLR2 to CCLR0	—	—	—	—	Not B'110	B'110
Output function	—	Output compare output	—	—	PWM mode 2 output	—

x: Don't care

Note \* TIOCD3 input when MD3 to MD0 = B'0000 or B'01xx, and IOD3 to IOD0 = B'10xx.

## Pin Selection Method and Pin Functions

PB2/A10/  
TIOCC3 The pin function is switched as shown below according to the operating mode, bits AE3 to AE0 in PFCR, the TPU channel 3 settings by bits MD3 to MD0 in TMDR3, bits IOC3 to IOC0 in TIOR3L, and bits CCLR2 to CCLR0 in TCR3, and bit PB2DDR.

Operating mode	Modes 4 to 6			
AE3 to AE0	B'0000 to B'0010			B'0011 to B'1111
TPU channel 3 settings	(1) in table below	(2) in table below		—
PB2DDR	—	0	1	—
Pin function	TIOCC3 output	PB2 input	PB2 output	A10 output
		TIOCC3 input* <sup>1</sup>		

Operating mode	Mode 7		
TPU channel 3 settings	(1) in table below	(2) in table below	
PB2DDR	—	0	1
Pin function	TIOCC3 output	PB2 input	PB2 output
		TIOCC3 input* <sup>1</sup>	

TPU channel 3 settings	(2)	(1)	(2)	(1)	(1)	(2)
MD3 to MD0	B'0000		B'001x	B'0010	B'0011	
IOC3 to IOC0	B'0000, B'0100, B'1xxx	B'0001 to B'0011, B'0101 to B'0111	B'xx00	Not B'xx00	Not B'xx00	
CCLR2 to CCLR0	—	—	—	—	Not B'101	B'101
Output function	—	Output compare output	—	PWM mode 1 output* <sup>2</sup>	PWM mode 2 output	—

x: Don't care

Notes: \*1 TIOCC3 input when MD3 to MD0 = B'0000, and IOC3 to IOC0 = B'10xx.

\*2 TIOCC3 is disabled for output.

## Pin Selection Method and Pin Functions

PB1/A9/  
TIOCB3 The pin function is switched as shown below according to the operating mode, bits AE3 to AE0 in PFCR, the TPU channel 3 settings by bits MD3 to MD0 in TMDR3, bits IOB3 to IOB0 in TIOR3H, and bits CCLR2 to CCLR0 in TCR3, and bit PB1DDR.

Operating mode	Modes 4 to 6			
AE3 to AE0	B'0000 to B'0001			B'0010 to B'1111
TPU channel 3 settings	(1) in table below	(2) in table below		—
PB1DDR	—	0	1	—
Pin function	TIOCB3 output	PB1 input	PB1 output	A9 output
		TIOCB3 input*		

Operating mode	Mode 7		
TPU channel 3 settings	(1) in table below	(2) in table below	
PB1DDR	—	0	1
Pin function	TIOCB3 output	PB1 input	PB1 output
		TIOCB3 input*	

TPU channel 3 settings	(2)	(1)	(2)	(2)	(1)	(2)
MD3 to MD0	B'0000		B'0010	B'0011		
IOB3 to IOB0	B'0000, B'0100, B'1xxx	B'0001 to B'0011, B'0101 to B'0111	—	B'xx00	Not B'xx00	
CCLR2 to CCLR0	—	—	—	—	Not B'010	B'010
Output function	—	Output compare output	—	—	PWM mode 2 output	—

x: Don't care

Note: \* TIOCB3 input when MD3 to MD0 = B'0000, and IOB3 to IOB0 = B'10xx.

## Pin Selection Method and Pin Functions

PB0/A8/  
TIOCA3 The pin function is switched as shown below according to the operating mode, bits AE3 to AE0 in PFCR, the TPU channel 3 settings by bits MD3 to MD0 in TMDR3, bits IOA3 to IOA0 in TIOR3H, and bits CCLR2 to CCLR0 in TCR3, and bit PB0DDR.

Operating mode	Modes 4 to 6			
AE3 to AE0	B'0000			B'0001 to B'1111
TPU channel 3 settings	(1) in table below	(2) in table below		—
PB0DDR	—	0	1	—
Pin function	TIOCA3 output	PB0 input	PB0 output	A8 output
		TIOCA3 input* <sup>1</sup>		

Operating mode	Mode 7		
TPU channel 3 settings	(1) in table below	(2) in table below	
PB0DDR	—	0	1
Pin function	TIOCA3 output	PB0 input	PB0 output
		TIOCA3 input* <sup>1</sup>	

TPU channel 3 settings	(2)	(1)	(2)	(1)	(1)	(2)
MD3 to MD0	B'0000		B'001x	B'0010	B'0011	
IOA3 to IOA0	B'0000, B'0100, B'1xxx	B'0001 to B'0011, B'0101 to B'0111	B'xx00	Not B'xx00	Not B'xx00	
CCLR2 to CCLR0	—	—	—	—	Not B'001	B'001
Output function	—	Output compare output	—	PWM mode 1 output* <sup>2</sup>	PWM mode 2 output	—

x: Don't care

Notes: \*1 TIOCA3 input when MD3 to MD0 = B'0000, and IOA3 to IOA0 = B'10xx.

\*2 TIOCB3 is disabled for output.

## 9.6.4 MOS Input Pull-Up Function

Port B has a built-in MOS input pull-up function that can be controlled by software. MOS input pull-up can be specified as on or off on an individual bit basis.

In modes 4 to 6, if a pin is in the input state in accordance with the settings in PFCR, in the TPU's TIOR, and in DDR, setting the corresponding PBPCR bit to 1 turns on the MOS input pull-up for that pin.

In mode 7, if a pin is in the input state in accordance with the settings in the TPU's TIOR and in DDR, setting the corresponding PBPCR bit to 1 turns on the MOS input pull-up for that pin.

The MOS input pull-up function is in the off state after a reset, and in hardware standby mode. The prior state is retained in software standby mode.

Table 9-11 summarizes the MOS input pull-up states.

**Table 9-11 MOS Input Pull-Up States (Port B)**

<b>Pin States</b>	<b>Power-On Reset</b>	<b>Hardware Standby Mode</b>	<b>Software Standby Mode</b>	<b>In Other Operations</b>
Address output or TPU output	OFF	OFF	OFF	OFF
Other than above			ON/OFF	ON/OFF

**Legend:**

OFF : MOS input pull-up is always off.

ON/OFF : On when PBDDR = 0 and PBPCR = 1; otherwise off.



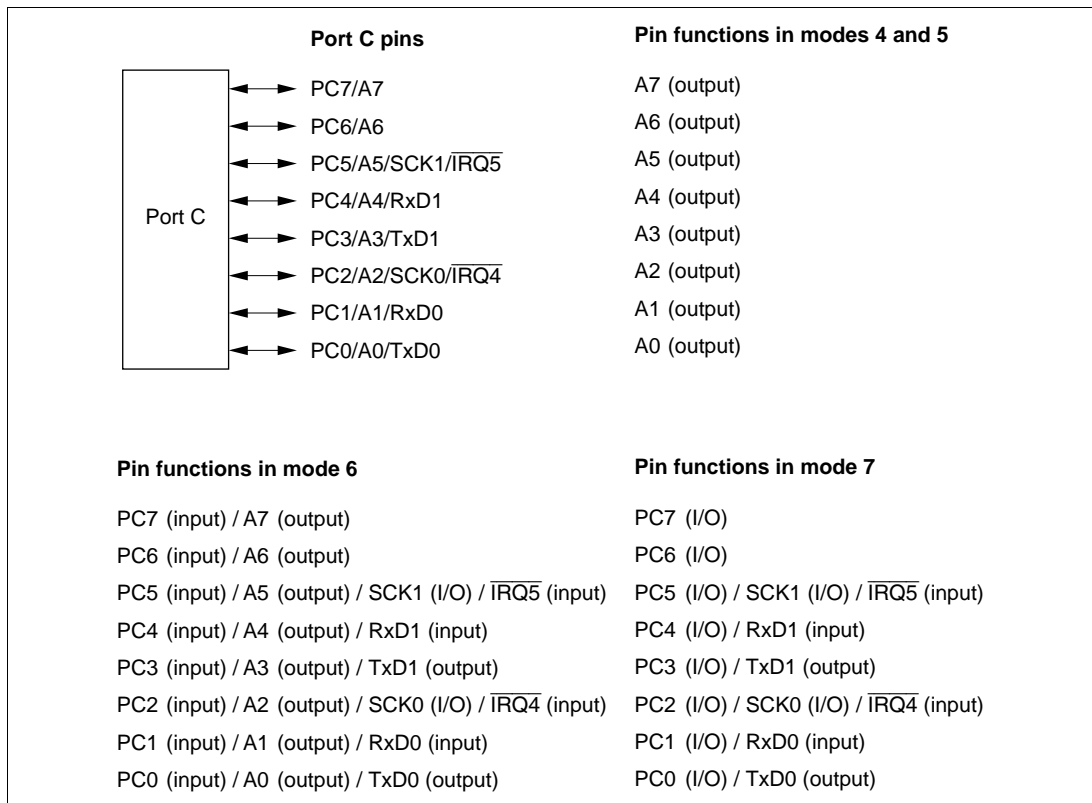
## 9.7 Port C

### 9.7.1 Overview

Port C is an 8-bit I/O port. Port C has an address bus output function, SCI I/O pins (TxD0, RxD0, SCK0, TxD1, RxD1 and SCK1), and external interrupt input pins ( $\overline{\text{IRQ4}}$  and  $\overline{\text{IRQ5}}$ ), and the pin functions change according to the operating mode.

Port C has a built-in MOS input pull-up function that can be controlled by software.

Figure 9-6 shows the port C pin configuration.



**Figure 9-6 Port C Pin Functions**

## 9.7.2 Register Configuration

Table 9-12 shows the port C register configuration.

**Table 9-12 Port C Registers**

Name	Abbreviation	R/W	Initial Value	Address*
Port C data direction register	PCDDR	W	H'00	H'FE3B
Port C data register	PCDR	R/W	H'00	H'FF0B
Port C register	PORTC	R	Undefined	H'FFBB
Port C MOS pull-up control register	PCPCR	R/W	H'00	H'FE42
Port C open-drain control register	PCODR	R/W	H'00	H'FE49

Note: \* Lower 16 bits of the address.

### Port C Data Direction Register (PCDDR)

Bit	:	7	6	5	4	3	2	1	0
		PC7DDR	PC6DDR	PC5DDR	PC4DDR	PC3DDR	PC2DDR	PC1DDR	PC0DDR
Initial value :		0	0	0	0	0	0	0	0
R/W	:	W	W	W	W	W	W	W	W

PCDDR is an 8-bit write-only register, the individual bits of which specify input or output for the pins of port C. PCDDR cannot be read; if it is, an undefined value will be read.

PCDDR is initialized to H'00 by a reset, and in hardware standby mode. It retains its prior state in software standby mode. As the SCI is initialized, pin states are determined by the PCDDR and PCDR specifications. The OPE bit in SBYCR is used to select whether the address output pins retain their output state or become high-impedance when a transition is made to software standby mode.

- Modes 4 and 5  
The corresponding port C pins are address outputs irrespective of the value of the PCDDR bits.
- Mode 6  
Setting a PCDDR bit to 1 makes the corresponding port C pin an address output, while clearing the bit to 0 makes the pin an input port.
- Mode 7  
Setting a PCDDR bit to 1 makes the corresponding port C pin an output port, while clearing the bit to 0 makes the pin an input port.

### Port C Data Register (PCDR)

Bit	:	7	6	5	4	3	2	1	0
		PC7DR	PC6DR	PC5DR	PC4DR	PC3DR	PC2DR	PC1DR	PC0DR
Initial value :		0	0	0	0	0	0	0	0
R/W	:	R/W	R/W	R/W	R/W	R/W	R/W	R/W	R/W

PCDR is an 8-bit readable/writable register that stores output data for the port C pins (PC7 to PC0).

PCDR is initialized to H'00 by a reset, and in hardware standby mode. It retains its prior state in software standby mode.

### Port C Register (PORTC)

Bit	:	7	6	5	4	3	2	1	0
		PC7	PC6	PC5	PC4	PC3	PC2	PC1	PC0
Initial value :		—*	—*	—*	—*	—*	—*	—*	—*
R/W	:	R	R	R	R	R	R	R	R

Note: \* Determined by state of pins PC7 to PC0.

PORTC is an 8-bit read-only register that shows the pin states. It cannot be written to. Writing of output data for the port C pins (PC7 to PC0) must always be performed on PCDR.

If a port C read is performed while PCDDR bits are set to 1, the PCDR values are read. If a port C read is performed while PCDDR bits are cleared to 0, the pin states are read.

After a reset and in hardware standby mode, PORTC contents are determined by the pin states, as PCDDR and PCDR are initialized. PORTC retains its prior state in software standby mode.

### Port C MOS Pull-Up Control Register (PCPCR)

Bit	:	7	6	5	4	3	2	1	0
		PC7PCR	PC6PCR	PC5PCR	PC4PCR	PC3PCR	PC2PCR	PC1PCR	PC0PCR
Initial value :		0	0	0	0	0	0	0	0
R/W	:	R/W	R/W	R/W	R/W	R/W	R/W	R/W	R/W

PCPCR is an 8-bit readable/writable register that controls the MOS input pull-up function incorporated into port C on an individual bit basis.

In modes 6 and 7, if a pin is in the input state in accordance with the settings in the SCI's SMR and SCR, and in PCDDR, setting the corresponding PCPCR bit to 1 turns on the MOS input pull-up for that pin.

PCPCR is initialized to H'00 by a reset, and in hardware standby mode. It retains its prior state in software standby mode.

### Port C Open Drain Control Register (PCODR)

Bit	:	7	6	5	4	3	2	1	0
		PC7ODR	PC6ODR	PC5ODR	PC4ODR	PC3ODR	PC2ODR	PC1ODR	PC0ODR
Initial value :		0	0	0	0	0	0	0	0
R/W	:	R/W	R/W	R/W	R/W	R/W	R/W	R/W	R/W

PCODR is an 8-bit readable/writable register that controls the PMOS on/off status for each port C pin (PC7 to PC0).

If the setting of bits AE3 to AE0 in PFCR is other than address output, setting a PCODR bit to 1 makes the corresponding port C pin an NMOS open-drain output, while clearing the bit to 0 makes the pin a CMOS output.

PCODR is initialized to H'00 by a reset, and in hardware standby mode. It retains its prior state after a manual reset, and in software standby mode.

### 9.7.3 Pin Functions

Port C pins also function as SCI I/O pins (TxD0, RxD0, SCK0, TxD1, RxD1, and SCK1), interrupt input pins ( $\overline{\text{IRQ4}}$  and  $\overline{\text{IRQ5}}$ ), and address bus outputs. The pin functions differ between modes 4 and 5, mode 6, and mode 7. Port C pin functions are shown in table 9-13.

**Table 9-13 Port C Pin Functions**

Pin	Selection Method and Pin Functions					
PC7/A7	The pin function is switched as shown below according to the operating mode and bit PC7DDR.					
	Operating Mode	Modes 4 and 5	Mode 6		Mode 7	
	PC7DDR	—	0	1	0	1
	Pin function	A7 output	PC7 input	A7 output	PC7 input	PC7 output
PC6/A6	The pin function is switched as shown below according to the operating mode and bit PC6DDR.					
	Operating Mode	Modes 4 and 5	Mode 6		Mode 7	
	PC6DDR	—	0	1	0	1
	Pin function	A6 output	PC6 input	A6 output	PC6 input	PC6 output

PC5/A5/SCK1/  
IRQ5

The pin function is switched as shown below according to the operating mode, bit C/A in the SCI1's SMR, bits CKE0 and CKE1 in SCR, and bit PC5DDR.

Operating Mode	Modes 4 and 5	Mode 6				
		PC5DDR	—	0		
CKE1	—	0		1	—	—
C/A	—	0	1	—	—	—
CKE0	—	0	1	—	—	—
Pin function	A5 output	PC5 input	SCK1 output	SCK1 output	SCK1 input	A5 output
	IRQ5 input					

Operating Mode	Mode 7				
	CKE1	0			
C/A	0			1	—
CKE0	0		1	—	—
PC5DDR	0	1	—	—	—
Pin function	PC5 input	PC5 output	SCK1 output	SCK1 output	SCK1 input
	IRQ5 input				

**Pin****Selection Method and Pin Functions**

PC4/A4/RxD1

The pin function is switched as shown below according to the operating mode, bit RE in the SCI1's SCR, and bit PC4DDR.

Operating Mode	Modes 4 and 5	Mode 6		
		0		1
PC4DDR	—	0		1
RE	—	0	1	—
Pin function	A4 output	PC4 input	RxD1 input	A4 output

Operating Mode	Mode 7		
	0		1
RE	0		1
PC4DDR	0	1	—
Pin function	PC4 input	PC4 output	RxD1 input

PC3/A3/TxD1

The pin function is switched as shown below according to the operating mode, bit TE in the SCI1's SCR, and bit PC3DDR.

Operating Mode	Modes 4 and 5	Mode 6		
		0		1
PC3DDR	—	0		1
TE	—	0	1	—
Pin function	A3 output	PC3 input	TxD1 output	A3 output

Operating Mode	Mode 7		
	0		1
TE	0		1
PC3DDR	0	1	—
Pin function	PC3 input	PC3 output	TxD1 output

PC2/A2/SCK0/  
 $\overline{\text{IRQ4}}$ The pin function is switched as shown below according to the operating mode, bit C/ $\overline{\text{A}}$  in the SCI0's SMR, bits CKE0 and CKE1 in SCR, and bit PC2DDR.

Operating Mode	Modes 4 and 5	Mode 6				
		PC2DDR	—	0		
CKE1	—	0		1	—	—
C/ $\overline{\text{A}}$	—	0		1	—	—
CKE0	—	0	1	—	—	—
Pin function	A2 output	PC2 input	SCK0 output	SCK0 output	SCK0 input	A2 output
	$\overline{\text{IRQ4}}$ input					

Operating Mode	Mode 7				
	CKE1	0			
C/ $\overline{\text{A}}$	0			1	—
CKE0	0		1	—	—
PC2DDR	0	1	—	—	—
Pin function	PC2 input	PC2 output	SCK0 output	SCK0 output	SCK0 input
	$\overline{\text{IRQ4}}$ input				



**Pin****Selection Method and Pin Functions**

PC1/A1/RxD0

The pin function is switched as shown below according to the operating mode, bit RE in the SCIO's SCR, and bit PC1DDR.

Operating Mode	Modes 4 and 5	Mode 6		
		0		1
PC1DDR	—	0		1
RE	—	0	1	—
Pin function	A1 output	PC1 input	RxD0 input	A1 output

Operating Mode	Mode 7		
	0		1
RE	0		1
PC1DDR	0	1	—
Pin function	PC1 input	PC1 output	RxD0 input

PC0/A0/TxD0

The pin function is switched as shown below according to the operating mode, bit TE in the SCIO's SCR, and bit PC0DDR.

Operating Mode	Modes 4 and 5	Mode 6		
		0		1
PC0DDR	—	0		1
TE	—	0	1	—
Pin function	A0 output	PC0 input	TxD0 output	A0 output

Operating Mode	Mode 7		
	0		1
TE	0		1
PC0DDR	0	1	—
Pin function	PC0 input	PC0 output	TxD0 output

## 9.7.4 MOS Input Pull-Up Function

Port C has a built-in MOS input pull-up function that can be controlled by software. This MOS input pull-up function can be used in modes 6 and 7, and can be specified as on or off on an individual bit basis.

In modes 6 and 7, if a pin is in the input state in accordance with the settings in the SCI's SMR and SCR, of pins  $\overline{\text{IRQ4}}$  and  $\overline{\text{IRQ5}}$ , and in PCDDR, setting the corresponding PCPCR bit to 1 turns on the MOS input pull-up for that pin.

The MOS input pull-up function is in the off state after a reset, and in hardware standby mode. The prior state is retained in software standby mode.

Table 9-14 summarizes the MOS input pull-up states.

**Table 9-14 MOS Input Pull-Up States (Port C)**

<b>Pin States</b>	<b>Power-On Reset</b>	<b>Hardware Standby Mode</b>	<b>Software Standby Mode</b>	<b>In Other Operations</b>
Address output	OFF	OFF	OFF	OFF
Other than above			ON/OFF	ON/OFF

**Legend:**

OFF : MOS input pull-up is always off.

ON/OFF : On when PCDDR = 0 and PCPCR = 1; otherwise off.

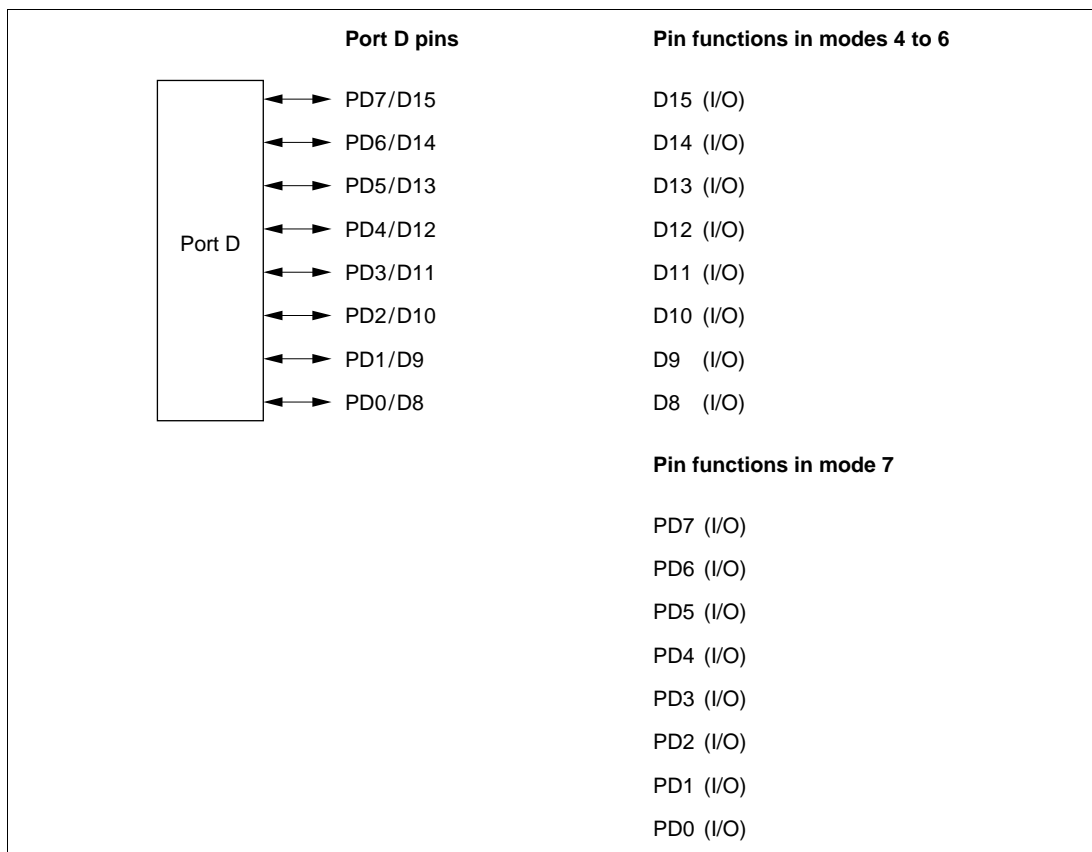
## 9.8 Port D

### 9.8.1 Overview

Port D is an 8-bit I/O port. Port D has a data bus I/O function, and the pin functions change according to the operating mode.

Port D has a built-in MOS input pull-up function that can be controlled by software.

Figure 9-7 shows the port D pin configuration.



**Figure 9-7 Port D Pin Functions**

## 9.8.2 Register Configuration

Table 9-15 shows the port D register configuration.

**Table 9-15 Port D Registers**

Name	Abbreviation	R/W	Initial Value	Address*
Port D data direction register	PDDDR	W	H'00	H'FE3C
Port D data register	PDDR	R/W	H'00	H'FF0C
Port D register	PORTD	R	Undefined	H'FFBC
Port D MOS pull-up control register	PDPCR	R/W	H'00	H'FE43

Note: \* Lower 16 bits of the address.

### Port D Data Direction Register (PDDDR)

Bit	:	7	6	5	4	3	2	1	0
		PD7DDR	PD6DDR	PD5DDR	PD4DDR	PD3DDR	PD2DDR	PD1DDR	PD0DDR
Initial value :		0	0	0	0	0	0	0	0
R/W	:	W	W	W	W	W	W	W	W

PDDDR is an 8-bit write-only register, the individual bits of which specify input or output for the pins of port D. PDDDR cannot be read; if it is, an undefined value will be read.

PDDDR is initialized to H'00 by a reset, and in hardware standby mode. It retains its prior state in software standby mode.

- Modes 4 to 6

The input/output direction specification by PDDDR is ignored, and port D is automatically designated for data I/O.

- Mode 7

Setting a PDDDR bit to 1 makes the corresponding port D pin an output port, while clearing the bit to 0 makes the pin an input port.

## Port D Data Register (PDDR)

Bit	:	7	6	5	4	3	2	1	0
		PD7DR	PD6DR	PD5DR	PD4DR	PD3DR	PD2DR	PD1DR	PD0DR
Initial value :		0	0	0	0	0	0	0	0
R/W	:	R/W	R/W	R/W	R/W	R/W	R/W	R/W	R/W

PDDR is an 8-bit readable/writable register that stores output data for the port D pins (PD7 to PD0).

PDDR is initialized to H'00 by a reset, and in hardware standby mode. It retains its prior state in software standby mode.

## Port D Register (PORTD)

Bit	:	7	6	5	4	3	2	1	0
		PD7	PD6	PD5	PD4	PD3	PD2	PD1	PD0
Initial value :		—*	—*	—*	—*	—*	—*	—*	—*
R/W	:	R	R	R	R	R	R	R	R

Note: \* Determined by state of pins PD7 to PD0.

PORTD is an 8-bit read-only register that shows the pin states. It cannot be written to. Writing of output data for the port D pins (PD7 to PD0) must always be performed on PDDR.

If a port D read is performed while PDDDR bits are set to 1, the PDDR values are read. If a port D read is performed while PDDDR bits are cleared to 0, the pin states are read.

After a reset and in hardware standby mode, PORTD contents are determined by the pin states, as PDDDR and PDDR are initialized. PORTD retains its prior state in software standby mode.

## Port D MOS Pull-Up Control Register (PDPnCR)

Bit	:	7	6	5	4	3	2	1	0
		PD7PCR	PD6PCR	PD5PCR	PD4PCR	PD3PCR	PD2PCR	PD1PCR	PD0PCR
Initial value :		0	0	0	0	0	0	0	0
R/W	:	R/W	R/W	R/W	R/W	R/W	R/W	R/W	R/W

PDPnCR is an 8-bit readable/writable register that controls the MOS input pull-up function incorporated into port D on an individual bit basis.

When a PDDDR bit is cleared to 0 (input port setting) in mode 7, setting the corresponding PDPnCR bit to 1 turns on the MOS input pull-up for the corresponding pin.

PDPnCR is initialized to H'00 by a reset, and in hardware standby mode. It retains its prior state in software standby mode.

### 9.8.3 Pin Functions

In modes 4 to 6, port D pins automatically function as data bus input/output pins (D15 to D8). In mode 7, each pin in port D functions as an input/output port, and input or output can be specified individually for each pin. Port D pin functions are shown in table 9-16.

**Table 9-16 Port D Pin Functions**

Pin	Selection Method and Pin Functions		
PD7/D15, PD6/D14,	The pin function is switched as shown below according to the operating mode and PDDDR.		
PD5/D13,	Operating mode	Modes 4 to 6	
PD4/D12,	PDPnDDR	—	0
PD3/D11, PD2/D10, PD1/D9,	Pin function	Data bus input/ output (D15 to D8)	PDn input
PD0/D8			PDn output
			n = 7 to 0

## 9.8.4 MOS Input Pull-Up Function

Port D has a built-in MOS input pull-up function that can be controlled by software. This MOS input pull-up function can be used in mode 7, and can be specified as on or off on an individual bit basis.

When a PDDDR bit is cleared to 0 in mode 7, setting the corresponding PDPCR bit to 1 turns on the MOS input pull-up for that pin.

The MOS input pull-up function is in the off state after a reset, and in hardware standby mode. The prior state is retained in software standby mode.

Table 9-17 summarizes the MOS input pull-up states.

**Table 9-17 MOS Input Pull-Up States (Port D)**

<b>Modes</b>	<b>Power-On Reset</b>	<b>Hardware Standby Mode</b>	<b>Software Standby Mode</b>	<b>In Other Operations</b>
4 to 6	OFF	OFF	OFF	OFF
7			ON/OFF	ON/OFF

**Legend:**

OFF : MOS input pull-up is always off.

ON/OFF : On when PDDDR = 0 and PDPCR = 1; otherwise off.

## 9.9 Port E

### 9.9.1 Overview

Port E is an 8-bit I/O port. Port E has a data bus I/O function, and the pin functions change according to the operating mode and whether 8-bit or 16-bit bus mode is selected.

Port E has a built-in MOS input pull-up function that can be controlled by software.

Figure 9-8 shows the port E pin configuration.

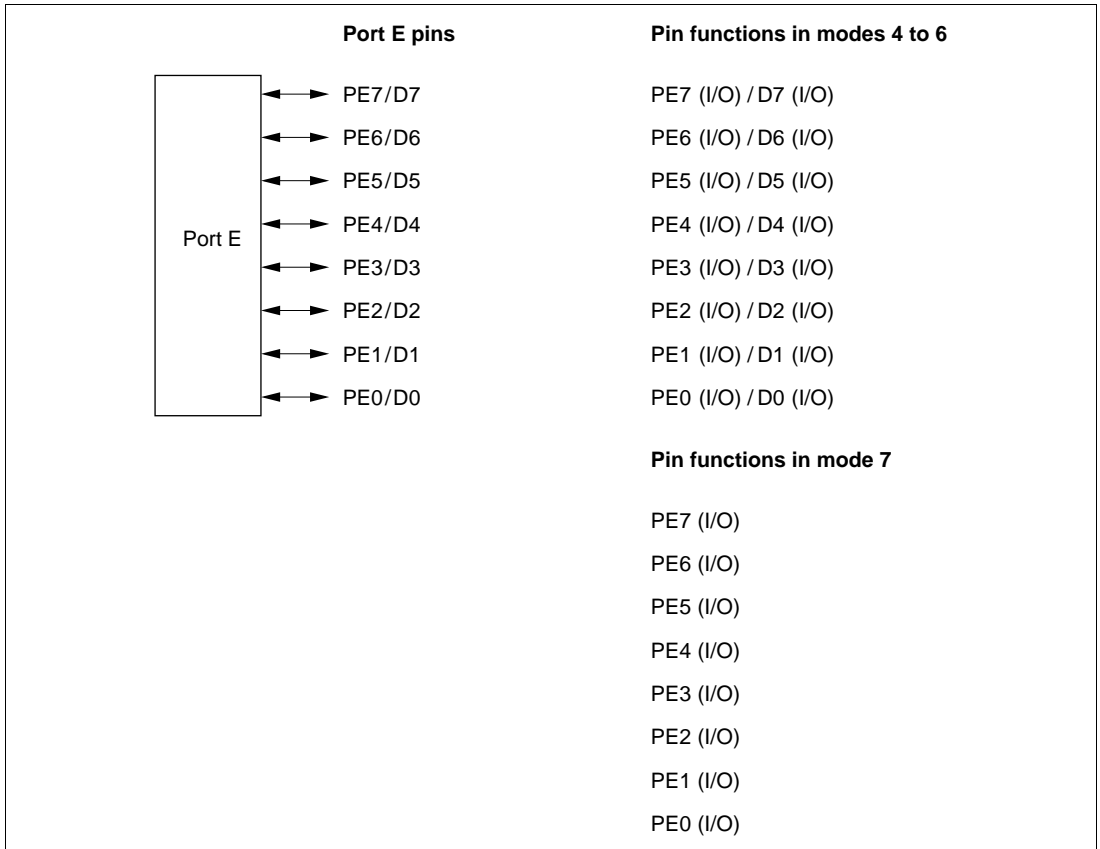


Figure 9-8 Port E Pin Functions



## 9.9.2 Register Configuration

Table 9-18 shows the port E register configuration.

**Table 9-18 Port E Registers**

Name	Abbreviation	R/W	Initial Value	Address*
Port E data direction register	PEDDR	W	H'00	H'FE3D
Port E data register	PEDR	R/W	H'00	H'FF0D
Port E register	PORTE	R	Undefined	H'FFBD
Port E MOS pull-up control register	PEPCR	R/W	H'00	H'FE44

Note: \* Lower 16 bits of the address.

### Port E Data Direction Register (PEDDR)

Bit	:	7	6	5	4	3	2	1	0
		PE7DDR	PE6DDR	PE5DDR	PE4DDR	PE3DDR	PE2DDR	PE1DDR	PE0DDR
Initial value :		0	0	0	0	0	0	0	0
R/W	:	W	W	W	W	W	W	W	W

PEDDR is an 8-bit write-only register, the individual bits of which specify input or output for the pins of port E. PEDDR cannot be read; if it is, an undefined value will be read.

PEDDR is initialized to H'00 by a reset, and in hardware standby mode. It retains its prior state in software standby mode.

- Modes 4 to 6

When 8-bit bus mode has been selected, port E pins function as I/O ports. Setting a PEDDR bit to 1 makes the corresponding port E pin an output port, while clearing the bit to 0 makes the pin an input port.

When 16-bit bus mode has been selected, the input/output direction specification by PEDDR is ignored, and port E is designated for data I/O.

For details of 8-bit and 16-bit bus modes, see section 7, Bus Controller.

- Mode 7

Setting a PEDDR bit to 1 makes the corresponding port E pin an output port, while clearing the bit to 0 makes the pin an input port.

## Port E Data Register (PEDR)

Bit	:	7	6	5	4	3	2	1	0
		PE7DR	PE6DR	PE5DR	PE4DR	PE3DR	PE2DR	PE1DR	PE0DR
Initial value :		0	0	0	0	0	0	0	0
R/W	:	R/W	R/W	R/W	R/W	R/W	R/W	R/W	R/W

PEDR is an 8-bit readable/writable register that stores output data for the port E pins (PE7 to PE0).

PEDR is initialized to H'00 by a reset, and in hardware standby mode. It retains its prior state in software standby mode.

## Port E Register (PORTE)

Bit	:	7	6	5	4	3	2	1	0
		PE7	PE6	PE5	PE4	PE3	PE2	PE1	PE0
Initial value :		—*	—*	—*	—*	—*	—*	—*	—*
R/W	:	R	R	R	R	R	R	R	R

Note: \* Determined by state of pins PE7 to PE0.

PORTE is an 8-bit read-only register that shows the pin states. It cannot be written to. Writing of output data for the port E pins (PE7 to PE0) must always be performed on PEDR.

If a port E read is performed while PEDDR bits are set to 1, the PEDR values are read. If a port E read is performed while PEDDR bits are cleared to 0, the pin states are read.

After a reset and in hardware standby mode, PORTE contents are determined by the pin states, as PEDDR and PEDR are initialized. PORTE retains its prior state in software standby mode.

## Port E MOS Pull-Up Control Register (PEPCR)

Bit	:	7	6	5	4	3	2	1	0
		PE7PCR	PE6PCR	PE5PCR	PE4PCR	PE3PCR	PE2PCR	PE1PCR	PE0PCR
Initial value :		0	0	0	0	0	0	0	0
R/W	:	R/W	R/W	R/W	R/W	R/W	R/W	R/W	R/W

PEPCR is an 8-bit readable/writable register that controls the MOS input pull-up function incorporated into port E on an individual bit basis.

When a PEDDR bit is cleared to 0 (input port setting) with 8-bit bus mode selected in modes 4 to 6, or in mode 7, setting the corresponding PEPCR bit to 1 turns on the MOS input pull-up for the corresponding pin.

PEPCR is initialized to H'00 by a reset, and in hardware standby mode. It retains its prior state in software standby mode.

### 9.9.3 Pin Functions

Port E pins also function as data bus input/output pins (D7 to D0). If at least one of areas 0 to 7 is designated as 16-bit bus space in modes 4 to 6, port E pins automatically function as data bus input/output pins. If all areas are designated as 8-bit bus space in modes 4 to 6, or in mode 7, each pin in port E functions as an input/output port, and input or output can be specified individually for each pin. Port E pin functions are shown in table 9-19.

**Table 9-19 Port E Pin Functions**

Pin	Selection Method and Pin Functions					
PE7/D7, PE6/D6,	The pin function is switched as shown below according to the operating mode, ABWCR in the bus controller, and PEDDR.					
PE5/D5,	Operating mode	Modes 4 to 6			Mode 7	
PE4/D4,	ABWCR	H'FF		Not H'FF	—	—
PE3/D3,	PE <sub>n</sub> DDR	0	1	—	0	1
PE2/D2, PE1/D1, PE0/D0	Pin function	PE <sub>n</sub> input	PE <sub>n</sub> output	Data bus input/output (D7 to D0)	PE <sub>n</sub> input	PE <sub>n</sub> output

n = 7 to 0

## 9.9.4 MOS Input Pull-Up Function

Port E has a built-in MOS input pull-up function that can be controlled by software. This MOS input pull-up function can be used in modes 4 to 6 when 8-bit bus mode is selected, or in mode 7, and can be specified as on or off on an individual bit basis.

When a PEDDR bit is cleared to 0 in modes 4 to 6 when 8-bit bus mode is selected, or in mode 7, setting the corresponding PEPCR bit to 1 turns on the MOS input pull-up for that pin.

The MOS input pull-up function is in the off state after a reset, and in hardware standby mode. The prior state is retained in software standby mode.

Table 9-20 summarizes the MOS input pull-up states.

**Table 9-20 MOS Input Pull-Up States (Port E)**

<b>Modes</b>	<b>Power-On Reset</b>	<b>Hardware Standby Mode</b>	<b>Software Standby Mode</b>	<b>In Other Operations</b>
7	OFF	OFF	ON/OFF	ON/OFF
4 to 6	8-bit bus			
	16-bit bus		OFF	OFF

**Legend:**

OFF : MOS input pull-up is always off.

ON/OFF : On when PEDDR = 0 and PEPCR = 1; otherwise off.

## 9.10 Port F

### 9.10.1 Overview

Port F is an 8-bit I/O port. Port F pins also function as external interrupt input pins ( $\overline{\text{IRQ2}}$  and  $\overline{\text{IRQ3}}$ ), BUZZ output pin\*, A/D trigger input pin ( $\overline{\text{ADTRG}}$ ), bus control signal input/output pins ( $\overline{\text{AS}}$ ,  $\overline{\text{RD}}$ ,  $\overline{\text{HWR}}$ ,  $\overline{\text{LWR}}$ ,  $\overline{\text{WAIT}}$ ,  $\overline{\text{BREQO}}$ ,  $\overline{\text{BREQ}}$ , and  $\overline{\text{BACK}}$ ) and the system clock ( $\emptyset$ ) output pin.

Note: \* BUZZ output pin in the H8S/2626 Series only.

Figure 9-9 shows the port F pin configuration.

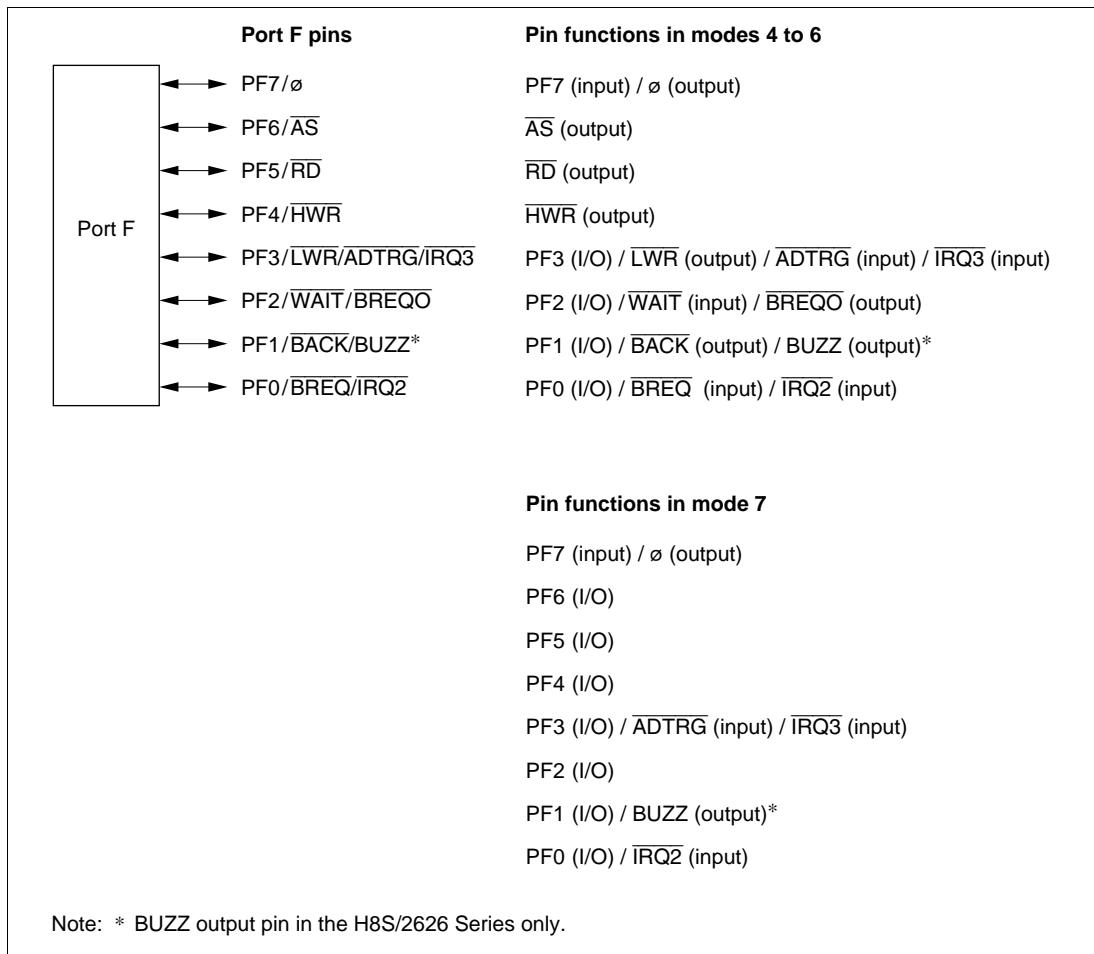


Figure 9-9 Port F Pin Functions

## 9.10.2 Register Configuration

Table 9-21 shows the port F register configuration.

**Table 9-21 Port F Registers**

Name	Abbreviation	R/W	Initial Value	Address* <sup>1</sup>
Port F data direction register	PFDDR	W	H'80/H'00* <sup>2</sup>	H'FE3E
Port F data register	PFDR	R/W	H'00	H'FF0E
Port F register	PORTF	R	Undefined	H'FFBE

Notes: \*1 Lower 16 bits of the address.

\*2 Initial value depends on the mode.

### Port F Data Direction Register (PFDDR)

Bit	7	6	5	4	3	2	1	0
	PF7DDR	PF6DDR	PF5DDR	PF4DDR	PF3DDR	PF2DDR	PF1DDR	PF0DDR

Modes 4 to 6

Initial value :	1	0	0	0	0	0	0	0
R/W :	W	W	W	W	W	W	W	W

Mode 7

Initial value :	0	0	0	0	0	0	0	0
R/W :	W	W	W	W	W	W	W	W

PFDDR is an 8-bit write-only register, the individual bits of which specify input or output for the pins of port F. PFDDR cannot be read; if it is, an undefined value will be read.

PFDDR is initialized by a reset, and in hardware standby mode, to H'80 in modes 4 to 6, and to H'00 in mode 7. It retains its prior state in software standby mode. The OPE bit in SBYCR is used to select whether the bus control output pins retain their output state or become high-impedance when a transition is made to software standby mode.

- Modes 4 to 6

Pin PF7 functions as the  $\phi$  output pin when the corresponding PFDDR bit is set to 1, and as an input port when the bit is cleared to 0.

The input/output direction specified by PFDDR is ignored for pins PF6 to PF3, which are automatically designated as bus control outputs ( $\overline{AS}$ ,  $\overline{RD}$ ,  $\overline{HWR}$ , and  $\overline{LWR}$ ).

Pins PF2 to PF0 are designated as bus control input/output pins ( $\overline{WAIT}$ ,  $\overline{BREQO}$ ,  $\overline{BACK}$ ,  $\overline{BREQ}$ ) by means of bus controller settings. At other times, setting a PFDDR bit to 1 makes the corresponding port F pin an output port, while clearing the bit to 0 makes the pin an input port.

- Mode 7

Setting a PFDDR bit to 1 makes the corresponding port F pin PF6 to PF0 an output port, or in the case of pin PF7, the  $\emptyset$  output pin. Clearing the bit to 0 makes the pin an input port.

### Port F Data Register (PFDR)

Bit	:	7	6	5	4	3	2	1	0
		—	PF6DR	PF5DR	PF4DR	PF3DR	PF2DR	PF1DR	PF0DR
Initial value :		0	0	0	0	0	0	0	0
R/W	:	R/W	R/W	R/W	R/W	R/W	R/W	R/W	R/W

PFDR is an 8-bit readable/writable register that stores output data for the port F pins (PF7 to PF0).

PFDR is initialized to H'00 by a reset, and in hardware standby mode. It retains its prior state in software standby mode.

Bit 7 in PFDR is reserved, and only 0 may be written to it.

### Port F Register (PORTF)

Bit	:	7	6	5	4	3	2	1	0
		PF7	PF6	PF5	PF4	PF3	PF2	PF1	PF0
Initial value :		—*	—*	—*	—*	—*	—*	—*	—*
R/W	:	R	R	R	R	R	R	R	R

Note: \* Determined by state of pins PF7 to PF0.

PORTF is an 8-bit read-only register that shows the pin states. It cannot be written to. Writing of output data for the port F pins (PF7 to PF0) must always be performed on PFDR.

If a port F read is performed while PFDDR bits are set to 1, the PFDR values are read. If a port F read is performed while PFDDR bits are cleared to 0, the pin states are read.

After a reset and in hardware standby mode, PORTF contents are determined by the pin states, as PFDDR and PFDR are initialized. PORTF retains its prior state in software standby mode.

### 9.10.3 Pin Functions

Port F pins also function as external interrupt input pins ( $\overline{\text{IRQ2}}$  and  $\overline{\text{IRQ3}}$ ), BUZZ output pin\*, A/D trigger input pin ( $\overline{\text{ADTRG}}$ ), bus control signal input/output pins ( $\overline{\text{AS}}$ ,  $\overline{\text{RD}}$ ,  $\overline{\text{HWR}}$ ,  $\overline{\text{LWR}}$ ,  $\overline{\text{WAIT}}$ ,  $\overline{\text{BREQO}}$ ,  $\overline{\text{BREQ}}$ , and  $\overline{\text{BACK}}$ ) and the system clock ( $\emptyset$ ) output pin. The pin functions differ between modes 4 to 6, and mode 7. Port F pin functions are shown in table 9-22.

Note: \* BUZZ output pin in the H8S/2626 Series only.

**Table 9-22 Port F Pin Functions**

Pin	Selection Method and Pin Functions		
PF7/ $\emptyset$	The pin function is switched as shown below according to bit PF7DDR.		
	PF7DDR	0	1
	Pin function	PF7 input	$\emptyset$ output
PF6/ $\overline{\text{AS}}$	The pin function is switched as shown below according to the operating mode and bit PF6DDR.		
	Operating Mode	Modes 4 to 6	Mode 7
	PF6DDR	—	0 1
	Pin function	$\overline{\text{AS}}$ output	PF6 input PF6 output
PF5/ $\overline{\text{RD}}$	The pin function is switched as shown below according to the operating mode and bit PF5DDR.		
	Operating Mode	Modes 4 to 6	Mode 7
	PF5DDR	—	0 1
	Pin function	$\overline{\text{RD}}$ output	PF5 input PF5 output
PF4/ $\overline{\text{HWR}}$	The pin function is switched as shown below according to the operating mode and bit PF4DDR.		
	Operating Mode	Modes 4 to 6	Mode 7
	PF4DDR	—	0 1
	Pin function	$\overline{\text{HWR}}$ output	PF4 input PF4 output



**Pin****Selection Method and Pin Functions**

PF3/ $\overline{\text{LWR}}$ /  
ADTRG/IRQ3

The pin function is switched as shown below according to the operating mode, the bus mode, A/D converter bits TRGS1 and TRGS0, and bit PF3DDR.

Operating Mode	Modes 4 to 6			Mode 7	
Bus mode	16-bit bus mode	8-bit bus mode		—	
PF3DDR	—	0	1	0	1
Pin function	$\overline{\text{LWR}}$ output	PF3 input	PF3 output	PF3 input	PF3 output
		$\overline{\text{ADTRG}}$ input* <sup>1</sup>			
		$\overline{\text{IRQ3}}$ input* <sup>2</sup>			

Notes: \*1  $\overline{\text{ADTRG}}$  input when TRGS0 = TRGS1 = 1.

\*2 When used as an external interrupt input pin, do not use as an I/O pin for another function.

PF2/ $\overline{\text{WAIT}}$ /  
BREQO

The pin function is switched as shown below according to the combination of the operating mode, and bits BREQOE, WAITE, ABW5 to ABW2, and PF2DDR.

Operating Mode	Modes 4 to 6			Mode 7		
BREQOE	0		1	—		
WAITE	0		1	—	—	
PF2DDR	0	1	—	—	0	1
Pin function	PF2 input	PF2 output	$\overline{\text{WAIT}}$ input	$\overline{\text{BREQO}}$ output	PF2 input	PF2 output

PF1/ $\overline{\text{BACK}}$ /  
BUZZ\*

The pin function is switched as shown below according to the combination of the operating mode, and bits BRLE, BUZZE, and PF1DDR.

Operating Mode	Modes 4 to 6			Mode 7			
BRLE	0		1	—			
BUZZE	0		1	—	0	1	
PF1DDR	0	1	—	—	0	1	—
Pin function	PF1 input	PF1 output	BUZZ* output	$\overline{\text{BACK}}$ output	PF1 input	PF1 output	BUZZ* output

Note: \* BUZZ output pin in the H8S/2626 Series only.

PF0/BREQ/ $\overline{\text{IRQ2}}$  The pin function is switched as shown below according to the combination of the operating mode, and bits BRLE and PF0DDR.

Operating Mode	Modes 4 to 6			Mode 7	
BRLE	0		1	—	
PF0DDR	0	1	—	0	1
Pin function	PF0 input	PF0 output	$\overline{\text{BREQ}}$ input	PF0 input	PF0 output
	$\overline{\text{IRQ2}}$ input				

# Section 10 16-Bit Timer Pulse Unit (TPU)

## 10.1 Overview

The H8S/2626 Series and H8S/2623 Series have an on-chip 16-bit timer pulse unit (TPU) that comprises six 16-bit timer channels.

### 10.1.1 Features

- Maximum 16-pulse input/output
  - A total of 16 timer general registers (TGRs) are provided (four each for channels 0 and 3, and two each for channels 1, 2, 4, and 5), each of which can be set independently as an output compare/input capture register
  - TGRC and TGRD for channels 0 and 3 can also be used as buffer registers
- Selection of 8 counter input clocks for each channel
- The following operations can be set for each channel:
  - Waveform output at compare match: Selection of 0, 1, or toggle output
  - Input capture function: Selection of rising edge, falling edge, or both edge detection
  - Counter clear operation: Counter clearing possible by compare match or input capture
  - Synchronous operation:
    - Multiple timer counters (TCNT) can be written to simultaneously
    - Simultaneous clearing by compare match and input capture possible
    - Register simultaneous input/output possible by counter synchronous operation
  - PWM mode: Any PWM output duty can be set
  - Maximum of 15-phase PWM output possible by combination with synchronous operation
- Buffer operation settable for channels 0 and 3
  - Input capture register double-buffering possible
  - Automatic rewriting of output compare register possible
- Phase counting mode settable independently for each of channels 1, 2, 4, and 5
  - Two-phase encoder pulse up/down-count possible
- Cascaded operation
  - Channel 2 (channel 5) input clock operates as 32-bit counter by setting channel 1 (channel 4) overflow/underflow
- Fast access via internal 16-bit bus
  - Fast access is possible via a 16-bit bus interface

- 26 interrupt sources
  - For channels 0 and 3, four compare match/input capture dual-function interrupts and one overflow interrupt can be requested independently
  - For channels 1, 2, 4, and 5, two compare match/input capture dual-function interrupts, one overflow interrupt, and one underflow interrupt can be requested independently
- Automatic transfer of register data
  - Block transfer, 1-word data transfer, and 1-byte data transfer possible by data transfer controller (DTC)
- Programmable pulse generator (PPG) output trigger can be generated
  - Channel 0 to 3 compare match/input capture signals can be used as PPG output trigger
- A/D converter conversion start trigger can be generated
  - Channel 0 to 5 compare match A/input capture A signals can be used as A/D converter conversion start trigger
- Module stop mode can be set
  - As the initial setting, TPU operation is halted. Register access is enabled by exiting module stop mode.

Table 10-1 lists the functions of the TPU.

**Table 10-1 TPU Functions**

Item	Channel 0	Channel 1	Channel 2	Channel 3	Channel 4	Channel 5
Count clock	$\emptyset/1$	$\emptyset/1$	$\emptyset/1$	$\emptyset/1$	$\emptyset/1$	$\emptyset/1$
	$\emptyset/4$	$\emptyset/4$	$\emptyset/4$	$\emptyset/4$	$\emptyset/4$	$\emptyset/4$
	$\emptyset/16$	$\emptyset/16$	$\emptyset/16$	$\emptyset/16$	$\emptyset/16$	$\emptyset/16$
	$\emptyset/64$	$\emptyset/64$	$\emptyset/64$	$\emptyset/64$	$\emptyset/64$	$\emptyset/64$
	TCLKA	$\emptyset/256$	$\emptyset/1024$	$\emptyset/256$	$\emptyset/1024$	$\emptyset/256$
	TCLKB	TCLKA	TCLKA	$\emptyset/1024$	TCLKA	TCLKA
	TCLKC	TCLKB	TCLKB	$\emptyset/4096$	TCLKC	TCLKC
TCLKD		TCLKC	TCLKC	TCLKA		TCLKD
General registers	TGR0A	TGR1A	TGR2A	TGR3A	TGR4A	TGR5A
	TGR0B	TGR1B	TGR2B	TGR3B	TGR4B	TGR5B
General registers/ buffer registers	TGR0C	—	—	TGR3C	—	—
	TGR0D			TGR3D		
I/O pins	TIOCA0	TIOCA1	TIOCA2	TIOCA3	TIOCA4	TIOCA5
	TIOCB0	TIOCB1	TIOCB2	TIOCB3	TIOCB4	TIOCB5
	TIOCC0			TIOCC3		
	TIOCD0			TIOCD3		
Counter clear function	TGR	TGR	TGR	TGR	TGR	TGR
	compare match or input capture	compare match or input capture	compare match or input capture	compare match or input capture	compare match or input capture	compare match or input capture
Compare match output	0 output	<input type="radio"/>	<input type="radio"/>	<input type="radio"/>	<input type="radio"/>	<input type="radio"/>
	1 output	<input type="radio"/>	<input type="radio"/>	<input type="radio"/>	<input type="radio"/>	<input type="radio"/>
	Toggle output	<input type="radio"/>	<input type="radio"/>	<input type="radio"/>	<input type="radio"/>	<input type="radio"/>
Input capture function	<input type="radio"/>	<input type="radio"/>	<input type="radio"/>	<input type="radio"/>	<input type="radio"/>	<input type="radio"/>
Synchronous operation	<input type="radio"/>	<input type="radio"/>	<input type="radio"/>	<input type="radio"/>	<input type="radio"/>	<input type="radio"/>
PWM mode	<input type="radio"/>	<input type="radio"/>	<input type="radio"/>	<input type="radio"/>	<input type="radio"/>	<input type="radio"/>
Phase counting mode	—	<input type="radio"/>	<input type="radio"/>	—	<input type="radio"/>	<input type="radio"/>
Buffer operation	<input type="radio"/>	—	—	<input type="radio"/>	—	—

Item	Channel 0	Channel 1	Channel 2	Channel 3	Channel 4	Channel 5
DTC activation	TGR compare match or input capture	TGR compare match or input capture	TGR compare match or input capture	TGR compare match or input capture	TGR compare match or input capture	TGR compare match or input capture
A/D converter trigger	TGR0A compare match or input capture	TGR1A compare match or input capture	TGR2A compare match or input capture	TGR3A compare match or input capture	TGR4A compare match or input capture	TGR5A compare match or input capture
PPG trigger	TGR0A/ TGR0B compare match or input capture	TGR1A/ TGR1B compare match or input capture	TGR2A/ TGR2B compare match or input capture	TGR3A/ TGR3B compare match or input capture	—	—
Interrupt sources	5 sources <ul style="list-style-type: none"> <li>• Compare match or input capture 0A</li> <li>• Compare match or input capture 0B</li> <li>• Compare match or input capture 0C</li> <li>• Compare match or input capture 0D</li> <li>• Overflow</li> </ul>	4 sources <ul style="list-style-type: none"> <li>• Compare match or input capture 1A</li> <li>• Compare match or input capture 1B</li> <li>• Overflow</li> <li>• Underflow</li> </ul>	4 sources <ul style="list-style-type: none"> <li>• Compare match or input capture 2A</li> <li>• Compare match or input capture 2B</li> <li>• Overflow</li> <li>• Underflow</li> </ul>	5 sources <ul style="list-style-type: none"> <li>• Compare match or input capture 3A</li> <li>• Compare match or input capture 3B</li> <li>• Compare match or input capture 3C</li> <li>• Compare match or input capture 3D</li> <li>• Overflow</li> </ul>	4 sources <ul style="list-style-type: none"> <li>• Compare match or input capture 4A</li> <li>• Compare match or input capture 4B</li> <li>• Overflow</li> <li>• Underflow</li> </ul>	4 sources <ul style="list-style-type: none"> <li>• Compare match or input capture 5A</li> <li>• Compare match or input capture 5B</li> <li>• Overflow</li> <li>• Underflow</li> </ul>

#### Legend

○ : Possible

— : Not possible

## 10.1.2 Block Diagram

Figure 10-1 shows a block diagram of the TPU.

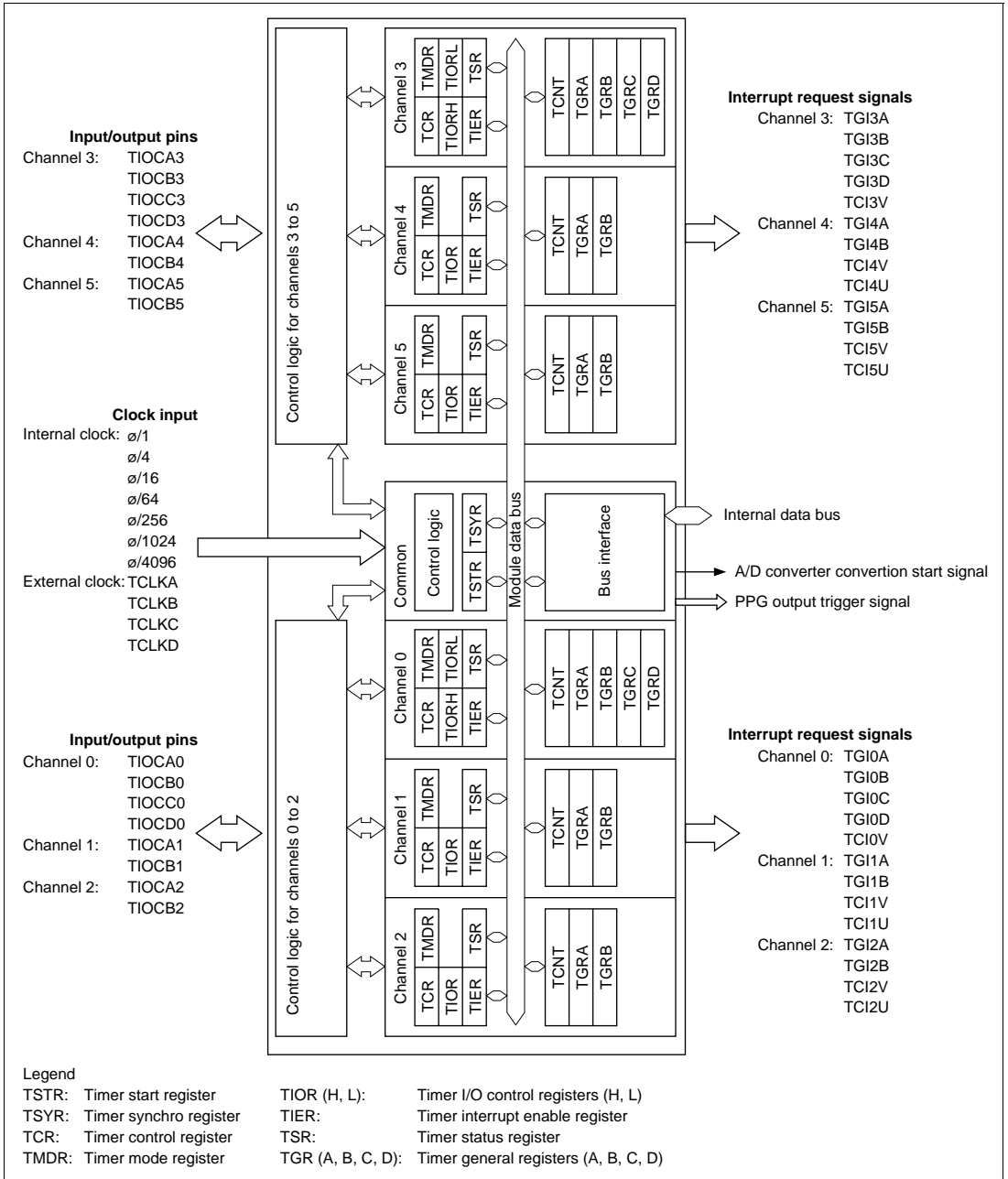


Figure 10-1 Block Diagram of TPU

### 10.1.3 Pin Configuration

Table 10-2 summarizes the TPU pins.

**Table 10-2 TPU Pins**

Channel	Name	Symbol	I/O	Function
All	Clock input A	TCLKA	Input	External clock A input pin (Channels 1 and 5 phase counting mode A phase input)
	Clock input B	TCLKB	Input	External clock B input pin (Channels 1 and 5 phase counting mode B phase input)
	Clock input C	TCLKC	Input	External clock C input pin (Channels 2 and 4 phase counting mode A phase input)
	Clock input D	TCLKD	Input	External clock D input pin (Channels 2 and 4 phase counting mode B phase input)
0	Input capture/out compare match A0	TIOCA0	I/O	TGR0A input capture input/output compare output/PWM output pin
	Input capture/out compare match B0	TIOCB0	I/O	TGR0B input capture input/output compare output/PWM output pin
	Input capture/out compare match C0	TIOCC0	I/O	TGR0C input capture input/output compare output/PWM output pin
	Input capture/out compare match D0	TIOCD0	I/O	TGR0D input capture input/output compare output/PWM output pin
1	Input capture/out compare match A1	TIOCA1	I/O	TGR1A input capture input/output compare output/PWM output pin
	Input capture/out compare match B1	TIOCB1	I/O	TGR1B input capture input/output compare output/PWM output pin
2	Input capture/out compare match A2	TIOCA2	I/O	TGR2A input capture input/output compare output/PWM output pin
	Input capture/out compare match B2	TIOCB2	I/O	TGR2B input capture input/output compare output/PWM output pin



Channel	Name	Symbol	I/O	Function
3	Input capture/out compare match A3	TIOCA3	I/O	TGR3A input capture input/output compare output/PWM output pin
	Input capture/out compare match B3	TIOCB3	I/O	TGR3B input capture input/output compare output/PWM output pin
	Input capture/out compare match C3	TIOCC3	I/O	TGR3C input capture input/output compare output/PWM output pin
	Input capture/out compare match D3	TIOCD3	I/O	TGR3D input capture input/output compare output/PWM output pin
4	Input capture/out compare match A4	TIOCA4	I/O	TGR4A input capture input/output compare output/PWM output pin
	Input capture/out compare match B4	TIOCB4	I/O	TGR4B input capture input/output compare output/PWM output pin
5	Input capture/out compare match A5	TIOCA5	I/O	TGR5A input capture input/output compare output/PWM output pin
	Input capture/out compare match B5	TIOCB5	I/O	TGR5B input capture input/output compare output/PWM output pin

## 10.1.4 Register Configuration

Table 10-3 summarizes the TPU registers.

**Table 10-3 TPU Registers**

Channel	Name	Abbreviation	R/W	Initial Value	Address* <sup>1</sup>
0	Timer control register 0	TCR0	R/W	H'00	H'FF10
	Timer mode register 0	TMDR0	R/W	H'C0	H'FF11
	Timer I/O control register 0H	TIOR0H	R/W	H'00	H'FF12
	Timer I/O control register 0L	TIOR0L	R/W	H'00	H'FF13
	Timer interrupt enable register 0	TIER0	R/W	H'40	H'FF14
	Timer status register 0	TSR0	R/(W)* <sup>2</sup>	H'C0	H'FF15
	Timer counter 0	TCNT0	R/W	H'0000	H'FF16
	Timer general register 0A	TGR0A	R/W	H'FFFF	H'FF18
	Timer general register 0B	TGR0B	R/W	H'FFFF	H'FF1A
	Timer general register 0C	TGR0C	R/W	H'FFFF	H'FF1C
Timer general register 0D	TGR0D	R/W	H'FFFF	H'FF1E	
1	Timer control register 1	TCR1	R/W	H'00	H'FF20
	Timer mode register 1	TMDR1	R/W	H'C0	H'FF21
	Timer I/O control register 1	TIOR1	R/W	H'00	H'FF22
	Timer interrupt enable register 1	TIER1	R/W	H'40	H'FF24
	Timer status register 1	TSR1	R/(W)* <sup>2</sup>	H'C0	H'FF25
	Timer counter 1	TCNT1	R/W	H'0000	H'FF26
	Timer general register 1A	TGR1A	R/W	H'FFFF	H'FF28
	Timer general register 1B	TGR1B	R/W	H'FFFF	H'FF2A
2	Timer control register 2	TCR2	R/W	H'00	H'FF30
	Timer mode register 2	TMDR2	R/W	H'C0	H'FF31
	Timer I/O control register 2	TIOR2	R/W	H'00	H'FF32
	Timer interrupt enable register 2	TIER2	R/W	H'40	H'FF34
	Timer status register 2	TSR2	R/(W)* <sup>2</sup>	H'C0	H'FF35
	Timer counter 2	TCNT2	R/W	H'0000	H'FF36
	Timer general register 2A	TGR2A	R/W	H'FFFF	H'FF38
	Timer general register 2B	TGR2B	R/W	H'FFFF	H'FF3A

Channel	Name	Abbreviation	R/W	Initial Value	Address* <sup>1</sup>
3	Timer control register 3	TCR3	R/W	H'00	H'FE80
	Timer mode register 3	TMDR3	R/W	H'C0	H'FE81
	Timer I/O control register 3H	TIOR3H	R/W	H'00	H'FE82
	Timer I/O control register 3L	TIOR3L	R/W	H'00	H'FE83
	Timer interrupt enable register 3	TIER3	R/W	H'40	H'FE84
	Timer status register 3	TSR3	R/(W)* <sup>2</sup>	H'C0	H'FE85
	Timer counter 3	TCNT3	R/W	H'0000	H'FE86
	Timer general register 3A	TGR3A	R/W	H'FFFF	H'FE88
	Timer general register 3B	TGR3B	R/W	H'FFFF	H'FE8A
	Timer general register 3C	TGR3C	R/W	H'FFFF	H'FE8C
	Timer general register 3D	TGR3D	R/W	H'FFFF	H'FE8E
4	Timer control register 4	TCR4	R/W	H'00	H'FE90
	Timer mode register 4	TMDR4	R/W	H'C0	H'FE91
	Timer I/O control register 4	TIOR4	R/W	H'00	H'FE92
	Timer interrupt enable register 4	TIER4	R/W	H'40	H'FE94
	Timer status register 4	TSR4	R/(W)* <sup>2</sup>	H'C0	H'FE95
	Timer counter 4	TCNT4	R/W	H'0000	H'FE96
	Timer general register 4A	TGR4A	R/W	H'FFFF	H'FE98
	Timer general register 4B	TGR4B	R/W	H'FFFF	H'FE9A
5	Timer control register 5	TCR5	R/W	H'00	H'FEA0
	Timer mode register 5	TMDR5	R/W	H'C0	H'FEA1
	Timer I/O control register 5	TIOR5	R/W	H'00	H'FEA2
	Timer interrupt enable register 5	TIER5	R/W	H'40	H'FEA4
	Timer status register 5	TSR5	R/(W)* <sup>2</sup>	H'C0	H'FEA5
	Timer counter 5	TCNT5	R/W	H'0000	H'FEA6
	Timer general register 5A	TGR5A	R/W	H'FFFF	H'FEA8
	Timer general register 5B	TGR5B	R/W	H'FFFF	H'FEAA
All	Timer start register	TSTR	R/W	H'00	H'FEB0
	Timer synchro register	TSYR	R/W	H'00	H'FEB1
	Module stop control register A	MSTPCRA	R/W	H'3F	H'FDE8

Notes: \*1 Lower 16 bits of the address.

\*2 Only 0 can be written, for flag clearing.

## 10.2 Register Descriptions

### 10.2.1 Timer Control Register (TCR)

#### Channel 0: TCR0

#### Channel 3: TCR3

Bit	:	7	6	5	4	3	2	1	0
		CCLR2	CCLR1	CCLR0	CKEG1	CKEG0	TPSC2	TPSC1	TPSC0
Initial value :		0	0	0	0	0	0	0	0
R/W	:	R/W	R/W	R/W	R/W	R/W	R/W	R/W	R/W

#### Channel 1: TCR1

#### Channel 2: TCR2

#### Channel 4: TCR4

#### Channel 5: TCR5

Bit	:	7	6	5	4	3	2	1	0
		—	CCLR1	CCLR0	CKEG1	CKEG0	TPSC2	TPSC1	TPSC0
Initial value :		0	0	0	0	0	0	0	0
R/W	:	—	R/W	R/W	R/W	R/W	R/W	R/W	R/W

The TCR registers are 8-bit registers that control the TCNT channels. The TPU has six TCR registers, one for each of channels 0 to 5. The TCR registers are initialized to H'00 by a reset, and in hardware standby mode.

TCR register settings should be made only when TCNT operation is stopped.

**Bits 7 to 5—Counter Clear 2 to 0 (CCLR2 to CCLR0):** These bits select the TCNT counter clearing source.

Channel	Bit 7 CCLR2	Bit 6 CCLR1	Bit 5 CCLR0	Description	
0, 3	0	0	0	TCNT clearing disabled (Initial value)	
			1	TCNT cleared by TGRA compare match/input capture	
			1	0	TCNT cleared by TGRB compare match/input capture
				1	TCNT cleared by counter clearing for another channel performing synchronous clearing/synchronous operation* <sup>1</sup>
1	0	0	0	TCNT clearing disabled	
			1	TCNT cleared by TGRC compare match/input capture* <sup>2</sup>	
			1	0	TCNT cleared by TGRD compare match/input capture* <sup>2</sup>
				1	TCNT cleared by counter clearing for another channel performing synchronous clearing/synchronous operation* <sup>1</sup>

Channel	Bit 7 Reserved* <sup>3</sup>	Bit 6 CCLR1	Bit 5 CCLR0	Description	
1, 2, 4, 5	0	0	0	TCNT clearing disabled (Initial value)	
			1	TCNT cleared by TGRA compare match/input capture	
			1	0	TCNT cleared by TGRB compare match/input capture
				1	TCNT cleared by counter clearing for another channel performing synchronous clearing/synchronous operation* <sup>1</sup>

Notes: \*1 Synchronous operation setting is performed by setting the SYNC bit in TSYR to 1.

\*2 When TGRC or TGRD is used as a buffer register, TCNT is not cleared because the buffer register setting has priority, and compare match/input capture does not occur.

\*3 Bit 7 is reserved in channels 1, 2, 4, and 5. It is always read as 0 and cannot be modified.

**Bits 4 and 3—Clock Edge 1 and 0 (CKEG1, CKEG0):** These bits select the input clock edge. When the input clock is counted using both edges, the input clock period is halved (e.g.  $\phi/4$  both edges =  $\phi/2$  rising edge). If phase counting mode is used on channels 1, 2, 4, and 5, this setting is ignored and the phase counting mode setting has priority.

Bit 4 CKEG1	Bit 3 CKEG0	Description
0	0	Count at rising edge (Initial value)
	1	Count at falling edge
1	—	Count at both edges

Note: Internal clock edge selection is valid when the input clock is  $\phi/4$  or slower. This setting is ignored if the input clock is  $\phi/1$ , or when overflow/underflow of another channel is selected.

**Bits 2 to 0—Time Prescaler 2 to 0 (TPSC2 to TPSC0):** These bits select the TCNT counter clock. The clock source can be selected independently for each channel. Table 10-4 shows the clock sources that can be set for each channel.

**Table 10-4 TPU Clock Sources**

Channel	Internal Clock							External Clock				Overflow/ Underflow on Another Channel
	$\phi/1$	$\phi/4$	$\phi/16$	$\phi/64$	$\phi/256$	$\phi/1024$	$\phi/4096$	TCLKA	TCLKB	TCLKC	TCLKD	
0	○	○	○	○				○	○	○	○	
1	○	○	○	○	○			○	○			○
2	○	○	○	○		○		○	○	○		
3	○	○	○	○	○	○	○	○				
4	○	○	○	○		○		○		○		○
5	○	○	○	○	○			○		○	○	

**Legend**

- : Setting
- Blank : No setting

Channel	Bit 2 TPSC2	Bit 1 TPSC1	Bit 0 TPSC0	Description
0	0	0	0	Internal clock: counts on $\emptyset/1$ (Initial value)
			1	Internal clock: counts on $\emptyset/4$
		1	0	Internal clock: counts on $\emptyset/16$
			1	Internal clock: counts on $\emptyset/64$
	1	0	0	External clock: counts on TCLKA pin input
			1	External clock: counts on TCLKB pin input
		1	0	External clock: counts on TCLKC pin input
			1	External clock: counts on TCLKD pin input

Channel	Bit 2 TPSC2	Bit 1 TPSC1	Bit 0 TPSC0	Description
1	0	0	0	Internal clock: counts on $\emptyset/1$ (Initial value)
			1	Internal clock: counts on $\emptyset/4$
		1	0	Internal clock: counts on $\emptyset/16$
			1	Internal clock: counts on $\emptyset/64$
	1	0	0	External clock: counts on TCLKA pin input
			1	External clock: counts on TCLKB pin input
		1	0	Internal clock: counts on $\emptyset/256$
			1	Counts on TCNT2 overflow/underflow

Note: This setting is ignored when channel 1 is in phase counting mode.

Channel	Bit 2 TPSC2	Bit 1 TPSC1	Bit 0 TPSC0	Description
2	0	0	0	Internal clock: counts on $\emptyset/1$ (Initial value)
			1	Internal clock: counts on $\emptyset/4$
		1	0	Internal clock: counts on $\emptyset/16$
			1	Internal clock: counts on $\emptyset/64$
	1	0	0	External clock: counts on TCLKA pin input
			1	External clock: counts on TCLKB pin input
		1	0	External clock: counts on TCLKC pin input
			1	Internal clock: counts on $\emptyset/1024$

Note: This setting is ignored when channel 2 is in phase counting mode.

Channel	Bit 2 TPSC2	Bit 1 TPSC1	Bit 0 TPSC0	Description	
3	0	0	0	Internal clock: counts on $\phi/1$ (Initial value)	
			1	Internal clock: counts on $\phi/4$	
			1	0	Internal clock: counts on $\phi/16$
				1	Internal clock: counts on $\phi/64$
	1	0	0	External clock: counts on TCLKA pin input	
			1	Internal clock: counts on $\phi/1024$	
			1	0	Internal clock: counts on $\phi/256$
				1	Internal clock: counts on $\phi/4096$

Channel	Bit 2 TPSC2	Bit 1 TPSC1	Bit 0 TPSC0	Description	
4	0	0	0	Internal clock: counts on $\phi/1$ (Initial value)	
			1	Internal clock: counts on $\phi/4$	
			1	0	Internal clock: counts on $\phi/16$
				1	Internal clock: counts on $\phi/64$
	1	0	0	External clock: counts on TCLKA pin input	
			1	External clock: counts on TCLKC pin input	
			1	0	Internal clock: counts on $\phi/1024$
				1	Counts on TCNT5 overflow/underflow

Note: This setting is ignored when channel 4 is in phase counting mode.

Channel	Bit 2 TPSC2	Bit 1 TPSC1	Bit 0 TPSC0	Description	
5	0	0	0	Internal clock: counts on $\phi/1$ (Initial value)	
			1	Internal clock: counts on $\phi/4$	
			1	0	Internal clock: counts on $\phi/16$
				1	Internal clock: counts on $\phi/64$
	1	0	0	External clock: counts on TCLKA pin input	
			1	External clock: counts on TCLKC pin input	
			1	0	Internal clock: counts on $\phi/256$
				1	External clock: counts on TCLKD pin input

Note: This setting is ignored when channel 5 is in phase counting mode.



## 10.2.2 Timer Mode Register (TMDR)

### Channel 0: TMDR0

### Channel 3: TMDR3

Bit	:	7	6	5	4	3	2	1	0
		—	—	BFB	BFA	MD3	MD2	MD1	MD0
Initial value :		1	1	0	0	0	0	0	0
R/W	:	—	—	R/W	R/W	R/W	R/W	R/W	R/W

### Channel 1: TMDR1

### Channel 2: TMDR2

### Channel 4: TMDR4

### Channel 5: TMDR5

Bit	:	7	6	5	4	3	2	1	0
		—	—	—	—	MD3	MD2	MD1	MD0
Initial value :		1	1	0	0	0	0	0	0
R/W	:	—	—	—	—	R/W	R/W	R/W	R/W

The TMDR registers are 8-bit readable/writable registers that are used to set the operating mode for each channel. The TPU has six TMDR registers, one for each channel. The TMDR registers are initialized to H'C0 by a reset, and in hardware standby mode.

TMDR register settings should be made only when TCNT operation is stopped.

**Bits 7 and 6—Reserved:** These bits are always read as 1 and cannot be modified.

**Bit 5—Buffer Operation B (BFB):** Specifies whether TGRB is to operate in the normal way, or TGRB and TGRD are to be used together for buffer operation. When TGRD is used as a buffer register, TGRD input capture/output compare is not generated.

In channels 1, 2, 4, and 5, which have no TGRD, bit 5 is reserved. It is always read as 0 and cannot be modified.

#### Bit 5

BFB	Description	
0	TGRB operates normally	(Initial value)
1	TGRB and TGRD used together for buffer operation	

**Bit 4—Buffer Operation A (BFA):** Specifies whether TGRA is to operate in the normal way, or TGRA and TGRC are to be used together for buffer operation. When TGRC is used as a buffer register, TGRC input capture/output compare is not generated.

In channels 1, 2, 4, and 5, which have no TGRC, bit 4 is reserved. It is always read as 0 and cannot be modified.

**Bit 4**

BFA	Description
0	TGRA operates normally (Initial value)
1	TGRA and TGRC used together for buffer operation

**Bits 3 to 0—Modes 3 to 0 (MD3 to MD0):** These bits are used to set the timer operating mode.

Bit 3 MD3*1	Bit 2 MD2*2	Bit 1 MD1	Bit 0 MD0	Description	
0	0	0	0	Normal operation (Initial value)	
			1	Reserved	
		1	0	PWM mode 1	
			1	PWM mode 2	
	1	0	0	0	Phase counting mode 1
				1	Phase counting mode 2
		1	0	0	Phase counting mode 3
				1	Phase counting mode 4
1	*	*	*	—	

\*: Don't care

Notes: \*1 MD3 is a reserved bit. In a write, it should always be written with 0.

\*2 Phase counting mode cannot be set for channels 0 and 3. In this case, 0 should always be written to MD2.

## 10.2.3 Timer I/O Control Register (TIOR)

**Channel 0: TIOR0H**

**Channel 1: TIOR1**

**Channel 2: TIOR2**

**Channel 3: TIOR3H**

**Channel 4: TIOR4**

**Channel 5: TIOR5**

Bit	:	7	6	5	4	3	2	1	0								
		<table border="1"><tr><td>IOB3</td><td>IOB2</td><td>IOB1</td><td>IOB0</td><td>IOA3</td><td>IOA2</td><td>IOA1</td><td>IOA0</td></tr></table>								IOB3	IOB2	IOB1	IOB0	IOA3	IOA2	IOA1	IOA0
IOB3	IOB2	IOB1	IOB0	IOA3	IOA2	IOA1	IOA0										
Initial value :		0	0	0	0	0	0	0	0								
R/W	:	R/W	R/W	R/W	R/W	R/W	R/W	R/W	R/W								

**Channel 0: TIOR0L**

**Channel 3: TIOR3L**

Bit	:	7	6	5	4	3	2	1	0								
		<table border="1"><tr><td>IOD3</td><td>IOD2</td><td>IOD1</td><td>IOD0</td><td>IOC3</td><td>IOC2</td><td>IOC1</td><td>IOC0</td></tr></table>								IOD3	IOD2	IOD1	IOD0	IOC3	IOC2	IOC1	IOC0
IOD3	IOD2	IOD1	IOD0	IOC3	IOC2	IOC1	IOC0										
Initial value :		0	0	0	0	0	0	0	0								
R/W	:	R/W	R/W	R/W	R/W	R/W	R/W	R/W	R/W								

Note: When TGRC or TGRD is designated for buffer operation, this setting is invalid and the register operates as a buffer register.

The TIOR registers are 8-bit registers that control the TGR registers. The TPU has eight TIOR registers, two each for channels 0 and 3, and one each for channels 1, 2, 4, and 5. The TIOR registers are initialized to H'00 by a reset, and in hardware standby mode.

Care is required since TIOR is affected by the TMDR setting. The initial output specified by TIOR is valid when the counter is stopped (the CST bit in TSTR is cleared to 0). Note also that, in PWM mode 2, the output at the point at which the counter is cleared to 0 is specified.

**Bits 7 to 4— I/O Control B3 to B0 (IOB3 to IOB0)****I/O Control D3 to D0 (IOD3 to IOD0):**

Bits IOB3 to IOB0 specify the function of TGRB.

Bits IOD3 to IOD0 specify the function of TGRD.

Channel	Bit 7	Bit 6	Bit 5	Bit 4	Description	
	IOB3	IOB2	IOB1	IOB0		
0	0	0	0	0	TGR0B Output disabled (Initial value)	
				1	Initial output is 0	0 output at compare match
				0	Initial output is 0	1 output at compare match
				1	Initial output is 0	Toggle output at compare match
	1	0	0	0	Output disabled	
				1	Initial output is 1	0 output at compare match
				0	Initial output is 1	1 output at compare match
				1	Initial output is 1	Toggle output at compare match
1	0	0	0	TGR0B Capture input source is TIOCB0 pin		
			1	Capture input source is TIOCB0 pin	Input capture at rising edge	
			*	Capture input source is TIOCB0 pin	Input capture at falling edge	
			*	Capture input source is TIOCB0 pin	Input capture at both edges	
1	*	*	*	Capture input source is channel 1/count clock	Input capture at TCNT1 count- up/count-down* <sup>1</sup>	

\*: Don't care

Channel	Bit 7 IOD3	Bit 6 IOD2	Bit 5 IOD1	Bit 4 IOD0	Description	
0	0	0	0	0	TGR0D Output disabled (Initial value)	
				1	is output	
				0	Initial output is 0	
				1	0 output at compare match	
	1	0	0	1	0	compare register* <sup>2</sup>
				1	1 output at compare match	
				1	Toggle output at compare match	
				0	Output disabled	
				1	Initial output is 1	
				0	0 output at compare match	
				1	1 output at compare match	
				1	Toggle output at compare match	
1	0	0	0	TGR0D Capture input		
			1	is input		
			1	capture source is		
			*	TIOCD0 pin		
			*	Input capture at rising edge		
			*	Input capture at falling edge		
1	*	*	*	capture register* <sup>2</sup>		
			*	Input capture at both edges		
			*	Capture input		
					source is channel	
					count-up/count-down* <sup>1</sup>	
					1/count clock	

\*: Don't care

Notes: \*1 When bits TPSC2 to TPSC0 in TCR1 are set to B'000 and  $\emptyset$ /1 is used as the TCNT1 count clock, this setting is invalid and input capture is not generated.

\*2 When the BFB bit in TMDR0 is set to 1 and TGR0D is used as a buffer register, this setting is invalid and input capture/output compare is not generated.

Channel	Bit 7 IOB3	Bit 6 IOB2	Bit 5 IOB1	Bit 4 IOB0	Description		
1	0	0	0	0	TGR1B is output compare register	Output disabled Initial output is 0 output	(Initial value)
				1			0 output at compare match
				0			1 output at compare match
				1			Toggle output at compare match
	1	0	0	0	TGR1B is input capture register	Capture input source is TIOCB1 pin	Input capture at rising edge
				1			Input capture at falling edge
				*			Input capture at both edges
				*			Input capture at generation of TGR0C compare match/input capture
	1	0	0	0	TGR1B is input capture register	Capture input source is TGR0C compare match/ input capture	Input capture at rising edge
				1			Input capture at falling edge
				*			Input capture at both edges
				*			Input capture at generation of TGR0C compare match/input capture

\*: Don't care

Channel	Bit 7 IOB3	Bit 6 IOB2	Bit 5 IOB1	Bit 4 IOB0	Description		
2	0	0	0	0	TGR2B is output compare register	Output disabled Initial output is 0 output	(Initial value)
				1			0 output at compare match
				0			1 output at compare match
				1			Toggle output at compare match
	1	0	0	0	TGR2B is input capture register	Capture input source is TIOCB2 pin	Input capture at rising edge
				1			Input capture at falling edge
				*			Input capture at both edges
				*			Input capture at generation of TGR0C compare match/input capture
	1	0	0	0	TGR2B is input capture register	Capture input source is TGR0C compare match/ input capture	Input capture at rising edge
				1			Input capture at falling edge
				*			Input capture at both edges
				*			Input capture at generation of TGR0C compare match/input capture

\*: Don't care

Channel	Bit 7 IOB3	Bit 6 IOB2	Bit 5 IOB1	Bit 4 IOB0	Description
3	0	0	0	0	TGR3B Output disabled (Initial value)
				1	is output
				0	Initial output is 0
				1	0 output at compare match
				0	1 output at compare match
				1	Toggle output at compare match
	1	0	0	0	Output disabled
				1	Initial output is 1
				0	0 output at compare match
				1	1 output at compare match
				0	1 output at compare match
				1	Toggle output at compare match
1	0	0	0	TGR3B Capture input	
			1	is input source is	
			*	TIOCB3 pin	
			*	Input capture at both edges	
1	*	*	*	Capture input source is channel 4/count clock	
				Input capture at rising edge	
				Input capture at falling edge	
				Input capture at TCNT4 count-up/count-down* <sup>1</sup>	

\*: Don't care

Channel	Bit 7 IOD3	Bit 6 IOD2	Bit 5 IOD1	Bit 4 IOD0	Description		
3	0	0	0	0	TGR3D Output disabled	(Initial value)	
				1	is output	Initial output is 0	0 output at compare match
				1	compare register* <sup>2</sup>	output	1 output at compare match
				1		Toggle output at compare match	
	1	0	0	0	Output disabled		
				1	Initial output is 1	0 output at compare match	
				1	output	1 output at compare match	
				1		Toggle output at compare match	
	1	0	0	0	TGR3D Capture input	Input capture at rising edge	
				1	is input source is	Input capture at falling edge	
				1	capture register* <sup>2</sup>	TI OCD3 pin	Input capture at both edges
				1	*	Capture input	Input capture at TCNT4
	1	*	*	source is channel 4/count clock	count-up/count-down* <sup>1</sup>		

\*: Don't care

Notes: \*1 When bits TPSC2 to TPSC0 in TCR4 are set to B'000 and  $\emptyset/1$  is used as the TCNT4 count clock, this setting is invalid and input capture is not generated.

\*2 When the BFB bit in TMDR3 is set to 1 and TGR3D is used as a buffer register, this setting is invalid and input capture/output compare is not generated.



Channel	Bit 7 IOB3	Bit 6 IOB2	Bit 5 IOB1	Bit 4 IOB0	Description
4	0	0	0	0	TGR4B Output disabled (Initial value)
				1	is output compare register
				1	Initial output is 0 output
				1	Toggle output at compare match
	1	0	0	0	Output disabled
				1	Initial output is 1 output
				1	0 output at compare match
				1	1 output at compare match
	1	0	0	0	TGR4B Capture input source is TIOCB4 pin
				1	is input capture register
				1	Input capture at rising edge
				1	Input capture at falling edge
1	*	*	*	Input capture at both edges	
			*	Capture input source is TGR3C compare match/ input capture	
			*	Input capture at generation of TGR3C compare match/ input capture	
			*		

\*: Don't care

Channel	Bit 7 IOB3	Bit 6 IOB2	Bit 5 IOB1	Bit 4 IOB0	Description
5	0	0	0	0	TGR5B Output disabled (Initial value)
				1	is output compare register
				1	Initial output is 0 output
				1	Toggle output at compare match
	1	0	0	0	Output disabled
				1	Initial output is 1 output
				1	0 output at compare match
				1	1 output at compare match
	1	*	0	0	TGR5B Capture input source is TIOCB5 pin
				1	is input capture register
				1	Input capture at rising edge
				1	Input capture at falling edge
1	*	*	*	Input capture at both edges	
			*	Capture input source is TGR3C compare match/ input capture	
			*	Input capture at generation of TGR3C compare match/ input capture	
			*		

\*: Don't care

**Bits 3 to 0— I/O Control A3 to A0 (IOA3 to IOA0)****I/O Control C3 to C0 (IOC3 to IOC0):**

IOA3 to IOA0 specify the function of TGRA.

IOC3 to IOC0 specify the function of TGRC.

Channel	Bit 3	Bit 2	Bit 1	Bit 0	Description	
	IOA3	IOA2	IOA1	IOA0		
0	0	0	0	0	TGRA0 is output	Output disabled (Initial value)
				1	is output compare register	Initial output is 0 output
				0		0 output at compare match
				1		1 output at compare match
	1	0	0	0		Toggle output at compare match
				1		Output disabled
				0		Initial output is 1 output
				1		0 output at compare match
1	0	0	0		1 output at compare match	
			1		Toggle output at compare match	
			0		Output disabled	
			1		Initial output is 1 output	
1	0	0	0	TGRA0 is input capture register	Capture input source is TIOCA0 pin	
			1		Input capture at rising edge	
			*		Input capture at falling edge	
			*		Input capture at both edges	
1	*	*	*		Capture input source is channel 1/ count clock	Input capture at TCNT1 count-up/count-down

\*: Don't care

Channel	Bit 3 IOC3	Bit 2 IOC2	Bit 1 IOC1	Bit 0 IOC0	Description
0	0	0	0	0	TGR0C Output disabled (Initial value)
				1	is output
				0	Initial output is 0
				1	0 output at compare match
				0	1 output at compare match
				1	Toggle output at compare match
				0	Output disabled
				1	Initial output is 1
				0	0 output at compare match
				1	1 output at compare match
0	Toggle output at compare match				
1	0	0	0	0	TGR0C Capture input
				1	is input
				*	source is
				*	TIOCC0 pin
				*	Input capture at rising edge
				*	Input capture at falling edge
1	*	*	*	*	Input capture at both edges
				*	Input capture at TCNT1
1	*	*	*	*	count-up/count-down
1	*	*	*	*	1/count clock

\*: Don't care

Note: \*1 When the BFA bit in TMDR0 is set to 1 and TGR0C is used as a buffer register, this setting is invalid and input capture/output compare is not generated.

Channel	Bit 3 IOA3	Bit 2 IOA2	Bit 1 IOA1	Bit 0 IOA0	Description			
1	0	0	0	0	TGR1A	Output disabled	(Initial value)	
				1	is output compare register	Initial output is 0 output	0 output at compare match	
				1	0	1 output at compare match		
			1		Toggle output at compare match			
			1	0	0	Output disabled		
			1	0	0	Initial output is 1 output	0 output at compare match	
	1	0	0	1	0	TGR1A	Capture input source is TIOCA1 pin	Input capture at rising edge
					1	capture register	Input capture at falling edge	
					*	*	Input capture at both edges	
				1	*	*	Capture input source is TGR0A compare match/ input capture	Input capture at generation of channel 0/TGR0A compare match/input capture

\*: Don't care

Channel	Bit 3 IOA3	Bit 2 IOA2	Bit 1 IOA1	Bit 0 IOA0	Description			
2	0	0	0	0	TGR2A	Output disabled	(Initial value)	
				1	is output compare register	Initial output is 0 output	0 output at compare match	
				1	0	1 output at compare match		
			1		Toggle output at compare match			
			1	0	0	Output disabled		
			1	0	0	Initial output is 1 output	0 output at compare match	
	1	*	0	1	0	TGR2A	Capture input source is TIOCA2 pin	Input capture at rising edge
					1	capture register	Input capture at falling edge	
					*	*	Input capture at both edges	

\*: Don't care

Channel	Bit 3 IOA3	Bit 2 IOA2	Bit 1 IOA1	Bit 0 IOA0	Description
3	0	0	0	0	TGR3A Output disabled (Initial value)
				1	is output
				0	Initial output is 0
				1	0 output at compare match
				0	1 output at compare match
				1	Toggle output at compare match
	1	0	0	0	Output disabled
				1	Initial output is 1
				0	0 output at compare match
				1	1 output at compare match
				0	1 output at compare match
				1	Toggle output at compare match
1	0	0	0	TGR3A Capture input	
			1	is input source is	
			*	TIOCA3 pin	
			*	Input capture at both edges	
1	*	*	*	Capture input source is channel 4/count clock	Input capture at TCNT4 count-up/count-down

\*: Don't care

Channel	Bit 3 IOC3	Bit 2 IOC2	Bit 1 IOC1	Bit 0 IOC0	Description
3	0	0	0	0	TGR3C Output disabled (Initial value)
				1	is output Initial output is 0
				0	compare output 0 output at compare match
				1	register* <sup>1</sup> 1 output at compare match
	1	0	0	0	Output disabled
				1	Initial output is 1
				0	output 0 output at compare match
				1	1 output at compare match
				0	Toggle output at compare match
				1	Toggle output at compare match
1	0	0	0	TGR3C Capture input	
			1	is input source is	
			*	capture TIOCC3 pin	
			*	register* <sup>1</sup> Input capture at rising edge	
1	*	*	*	Input capture at falling edge	
			*	Input capture at both edges	
1	*	*	*	Capture input	
			*	source is channel count-up/count-down	
					4/count clock

\*: Don't care

Note: \*1 When the BFA bit in TMDR3 is set to 1 and TGR3C is used as a buffer register, this setting is invalid and input capture/output compare is not generated.

Channel	Bit 3 IOA3	Bit 2 IOA2	Bit 1 IOA1	Bit 0 IOA0	Description
4	0	0	0	0	TGR4A Output disabled (Initial value)
				1	is output compare register
				0	Initial output is 0 output
				1	0 output at compare match
				0	1 output at compare match
				1	Toggle output at compare match
	1	0	0	0	Output disabled
				1	Initial output is 1 output
				0	0 output at compare match
				1	1 output at compare match
				0	Toggle output at compare match
				1	Toggle output at compare match
1	0	0	0	TGR4A Capture input source is TIOCA4 pin	
			1	is input capture register	
			0	Input capture at rising edge	
			1	Input capture at falling edge	
			*	Input capture at both edges	
			*	Input capture at generation of TGR3A compare match/input capture	

\*: Don't care

Channel	Bit 3 IOA3	Bit 2 IOA2	Bit 1 IOA1	Bit 0 IOA0	Description
5	0	0	0	0	TGR5A Output disabled (Initial value)
				1	is output compare register
				0	Initial output is 0 output
				1	0 output at compare match
				0	1 output at compare match
				1	Toggle output at compare match
	1	0	0	0	Output disabled
				1	Initial output is 1 output
				0	0 output at compare match
				1	1 output at compare match
				0	Toggle output at compare match
				1	Toggle output at compare match
1	*	0	0	TGR5A Capture input source is TIOCA5 pin	
			1	is input capture register	
			0	Input capture at rising edge	
			1	Input capture at falling edge	
			*	Input capture at both edges	
			*	Input capture at both edges	

\*: Don't care

## 10.2.4 Timer Interrupt Enable Register (TIER)

### Channel 0: TIER0

### Channel 3: TIER3

Bit	:	7	6	5	4	3	2	1	0
		TTGE	—	—	TCIEV	TGIED	TGIEC	TGIEB	TGIEA
Initial value :		0	1	0	0	0	0	0	0
R/W	:	R/W	—	—	R/W	R/W	R/W	R/W	R/W

### Channel 1: TIER1

### Channel 2: TIER2

### Channel 4: TIER4

### Channel 5: TIER5

Bit	:	7	6	5	4	3	2	1	0
		TTGE	—	TCIEU	TCIEV	—	—	TGIEB	TGIEA
Initial value :		0	1	0	0	0	0	0	0
R/W	:	R/W	—	R/W	R/W	—	—	R/W	R/W

The TIER registers are 8-bit registers that control enabling or disabling of interrupt requests for each channel. The TPU has six TIER registers, one for each channel. The TIER registers are initialized to H'40 by a reset, and in hardware standby mode.



**Bit 7—A/D Conversion Start Request Enable (TTGE):** Enables or disables generation of A/D conversion start requests by TGRA input capture/compare match.

**Bit 7**

TTGE	Description	
0	A/D conversion start request generation disabled	(Initial value)
1	A/D conversion start request generation enabled	

**Bit 6—Reserved:** This bit is always read as 1 and cannot be modified.

**Bit 5—Underflow Interrupt Enable (TCIEU):** Enables or disables interrupt requests (TCIU) by the TCFU flag when the TCFU flag in TSR is set to 1 in channels 1, 2, 4, and 5.

In channels 0 and 3, bit 5 is reserved. It is always read as 0 and cannot be modified.

**Bit 5**

TCIEU	Description	
0	Interrupt requests (TCIU) by TCFU disabled	(Initial value)
1	Interrupt requests (TCIU) by TCFU enabled	

**Bit 4—Overflow Interrupt Enable (TCIEV):** Enables or disables interrupt requests (TCIV) by the TCFV flag when the TCFV flag in TSR is set to 1.

**Bit 4**

TCIEV	Description	
0	Interrupt requests (TCIV) by TCFV disabled	(Initial value)
1	Interrupt requests (TCIV) by TCFV enabled	

**Bit 3—TGR Interrupt Enable D (TGIED):** Enables or disables interrupt requests (TGID) by the TGFD bit when the TGFD bit in TSR is set to 1 in channels 0 and 3.

In channels 1, 2, 4, and 5, bit 3 is reserved. It is always read as 0 and cannot be modified.

**Bit 3**

TGIED	Description	
0	Interrupt requests (TGID) by TGFD bit disabled	(Initial value)
1	Interrupt requests (TGID) by TGFD bit enabled	

**Bit 2—TGR Interrupt Enable C (TGIEC):** Enables or disables interrupt requests (TGIC) by the TGFC bit when the TGFC bit in TSR is set to 1 in channels 0 and 3.

In channels 1, 2, 4, and 5, bit 2 is reserved. It is always read as 0 and cannot be modified.

**Bit 2**

<b>TGIEC</b>	<b>Description</b>
0	Interrupt requests (TGIC) by TGFC bit disabled (Initial value)
1	Interrupt requests (TGIC) by TGFC bit enabled

**Bit 1—TGR Interrupt Enable B (TGIEB):** Enables or disables interrupt requests (TGIB) by the TGFB bit when the TGFB bit in TSR is set to 1.

**Bit 1**

<b>TGIEB</b>	<b>Description</b>
0	Interrupt requests (TGIB) by TGFB bit disabled (Initial value)
1	Interrupt requests (TGIB) by TGFB bit enabled

**Bit 0—TGR Interrupt Enable A (TGIEA):** Enables or disables interrupt requests (TGIA) by the TGFA bit when the TGFA bit in TSR is set to 1.

**Bit 0**

<b>TGIEA</b>	<b>Description</b>
0	Interrupt requests (TGIA) by TGFA bit disabled (Initial value)
1	Interrupt requests (TGIA) by TGFA bit enabled

## 10.2.5 Timer Status Register (TSR)

### Channel 0: TSR0

### Channel 3: TSR3

Bit	:	7	6	5	4	3	2	1	0
		—	—	—	TCFV	TGFD	TGFC	TGFB	TGFA
Initial value :		1	1	0	0	0	0	0	0
R/W	:	—	—	—	R/(W)*	R/(W)*	R/(W)*	R/(W)*	R/(W)*

Note: \* Only 0 can be written, for flag clearing.

### Channel 1: TSR1

### Channel 2: TSR2

### Channel 4: TSR4

### Channel 5: TSR5

Bit	:	7	6	5	4	3	2	1	0
		TCFD	—	TCFU	TCFV	—	—	TGFB	TGFA
Initial value :		1	1	0	0	0	0	0	0
R/W	:	R	—	R/(W)*	R/(W)*	—	—	R/(W)*	R/(W)*

Note: \* Only 0 can be written, for flag clearing.

The TSR registers are 8-bit registers that indicate the status of each channel. The TPU has six TSR registers, one for each channel. The TSR registers are initialized to H'CO by a reset, and in hardware standby mode.

**Bit 7—Count Direction Flag (TCFD):** Status flag that shows the direction in which TCNT counts in channels 1, 2, 4, and 5.

In channels 0 and 3, bit 7 is reserved. It is always read as 1 and cannot be modified.

**Bit 7**

TCFD	Description
0	TCNT counts down
1	TCNT counts up (Initial value)

**Bit 6—Reserved:** This bit is always read as 1 and cannot be modified.

**Bit 5—Underflow Flag (TCFU):** Status flag that indicates that TCNT underflow has occurred when channels 1, 2, 4, and 5 are set to phase counting mode.

In channels 0 and 3, bit 5 is reserved. It is always read as 0 and cannot be modified.

**Bit 5**

TCFU	Description
0	[Clearing condition] (Initial value) When 0 is written to TCFU after reading TCFU = 1
1	[Setting condition] When the TCNT value underflows (changes from H'0000 to H'FFFF)

**Bit 4—Overflow Flag (TCFV):** Status flag that indicates that TCNT overflow has occurred.

**Bit 4**

TCFV	Description
0	[Clearing condition] (Initial value) When 0 is written to TCFV after reading TCFV = 1
1	[Setting condition] When the TCNT value overflows (changes from H'FFFF to H'0000 )

**Bit 3—Input Capture/Output Compare Flag D (TGFD):** Status flag that indicates the occurrence of TGRD input capture or compare match in channels 0 and 3.

In channels 1, 2, 4, and 5, bit 3 is reserved. It is always read as 0 and cannot be modified.

**Bit 3**

<b>TGFD</b>	<b>Description</b>
0	[Clearing conditions] (Initial value) <ul style="list-style-type: none"><li>• When DTC is activated by TGID interrupt while DISEL bit of MRB in DTC is 0</li><li>• When 0 is written to TGFD after reading TGFD = 1</li></ul>
1	[Setting conditions] <ul style="list-style-type: none"><li>• When TCNT = TGRD while TGRD is functioning as output compare register</li><li>• When TCNT value is transferred to TGRD by input capture signal while TGRD is functioning as input capture register</li></ul>

**Bit 2—Input Capture/Output Compare Flag C (TGFC):** Status flag that indicates the occurrence of TGRC input capture or compare match in channels 0 and 3.

In channels 1, 2, 4, and 5, bit 2 is reserved. It is always read as 0 and cannot be modified.

**Bit 2**

<b>TGFC</b>	<b>Description</b>
0	[Clearing conditions] (Initial value) <ul style="list-style-type: none"><li>• When DTC is activated by TGIC interrupt while DISEL bit of MRB in DTC is 0</li><li>• When 0 is written to TGFC after reading TGFC = 1</li></ul>
1	[Setting conditions] <ul style="list-style-type: none"><li>• When TCNT = TGRC while TGRC is functioning as output compare register</li><li>• When TCNT value is transferred to TGRC by input capture signal while TGRC is functioning as input capture register</li></ul>

**Bit 1—Input Capture/Output Compare Flag B (TGFB):** Status flag that indicates the occurrence of TGRB input capture or compare match.

Bit 1 TGFB	Description
0	[Clearing conditions] (Initial value) <ul style="list-style-type: none"><li>• When DTC is activated by TGIB interrupt while DISEL bit of MRB in DTC is 0</li><li>• When 0 is written to TGFB after reading TGFB = 1</li></ul>
1	[Setting conditions] <ul style="list-style-type: none"><li>• When TCNT = TGRB while TGRB is functioning as output compare register</li><li>• When TCNT value is transferred to TGRB by input capture signal while TGRB is functioning as input capture register</li></ul>

**Bit 0—Input Capture/Output Compare Flag A (TGFA):** Status flag that indicates the occurrence of TGRA input capture or compare match.

Bit 0 TGFA	Description
0	[Clearing conditions] (Initial value) <ul style="list-style-type: none"><li>• When DTC is activated by TGIA interrupt while DISEL bit of MRB in DTC is 0</li><li>• When 0 is written to TGFA after reading TGFA = 1</li></ul>
1	[Setting conditions] <ul style="list-style-type: none"><li>• When TCNT = TGRA while TGRA is functioning as output compare register</li><li>• When TCNT value is transferred to TGRA by input capture signal while TGRA is functioning as input capture register</li></ul>

## 10.2.6 Timer Counter (TCNT)

**Channel 0: TCNT0 (up-counter)**

**Channel 1: TCNT1 (up/down-counter\*)**

**Channel 2: TCNT2 (up/down-counter\*)**

**Channel 3: TCNT3 (up-counter)**

**Channel 4: TCNT4 (up/down-counter\*)**

**Channel 5: TCNT5 (up/down-counter\*)**

Bit	:	15	14	13	12	11	10	9	8	7	6	5	4	3	2	1	0
Initial value :		0	0	0	0	0	0	0	0	0	0	0	0	0	0	0	0
R/W	:	R/W	R/W	R/W	R/W	R/W	R/W	R/W	R/W	R/W	R/W	R/W	R/W	R/W	R/W	R/W	R/W

Note: \* These counters can be used as up/down-counters only in phase counting mode or when counting overflow/underflow on another channel. In other cases they function as up-counters.

The TCNT registers are 16-bit counters. The TPU has six TCNT counters, one for each channel.

The TCNT counters are initialized to H'0000 by a reset, and in hardware standby mode.

The TCNT counters cannot be accessed in 8-bit units; they must always be accessed as a 16-bit unit.

### 10.2.7 Timer General Register (TGR)

Bit	:	15	14	13	12	11	10	9	8	7	6	5	4	3	2	1	0
Initial value	:	1	1	1	1	1	1	1	1	1	1	1	1	1	1	1	1
R/W	:	R/W	R/W	R/W	R/W	R/W	R/W	R/W	R/W	R/W	R/W	R/W	R/W	R/W	R/W	R/W	R/W

The TGR registers are 16-bit registers with a dual function as output compare and input capture registers. The TPU has 16 TGR registers, four each for channels 0 and 3 and two each for channels 1, 2, 4, and 5. TGRC and TGRD for channels 0 and 3 can also be designated for operation as buffer registers\*. The TGR registers are initialized to H'FFFF by a reset, and in hardware standby mode.

The TGR registers cannot be accessed in 8-bit units; they must always be accessed as a 16-bit unit.

Note: \* TGR buffer register combinations are TGRA—TGRC and TGRB—TGRD.



## 10.2.8 Timer Start Register (TSTR)

Bit	:	7	6	5	4	3	2	1	0
		—	—	CST5	CST4	CST3	CST2	CST1	CST0
Initial value :		0	0	0	0	0	0	0	0
R/W	:	—	—	R/W	R/W	R/W	R/W	R/W	R/W

TSTR is an 8-bit readable/writable register that selects operation/stoppage for channels 0 to 5. TSTR is initialized to H'00 by a reset, and in hardware standby mode. When setting the operating mode in TMDR or setting the count clock in TCR, first stop the TCNT counter.

**Bits 7 and 6—Reserved:** Should always be written with 0.

**Bits 5 to 0—Counter Start 5 to 0 (CST5 to CST0):** These bits select operation or stoppage for TCNT.

Bit n	Description
CSTn	
0	TCNTn count operation is stopped (Initial value)
1	TCNTn performs count operation

n = 5 to 0

**Note:** If 0 is written to the CST bit during operation with the TIOC pin designated for output, the counter stops but the TIOC pin output compare output level is retained. If TIOR is written to when the CST bit is cleared to 0, the pin output level will be changed to the set initial output value.

## 10.2.9 Timer Synchro Register (TSYR)

Bit	:	7	6	5	4	3	2	1	0
		—	—	SYNC5	SYNC4	SYNC3	SYNC2	SYNC1	SYNC0
Initial value :		0	0	0	0	0	0	0	0
R/W	:	—	—	R/W	R/W	R/W	R/W	R/W	R/W

TSYR is an 8-bit readable/writable register that selects independent operation or synchronous operation for the channel 0 to 4 TCNT counters. A channel performs synchronous operation when the corresponding bit in TSYR is set to 1.

TSYR is initialized to H'00 by a reset, and in hardware standby mode.

**Bits 7 and 6—Reserved:** Should always be written with 0.

**Bits 5 to 0—Timer Synchro 5 to 0 (SYNC5 to SYNC0):** These bits select whether operation is independent of or synchronized with other channels.

When synchronous operation is selected, synchronous presetting of multiple channels\*<sup>1</sup>, and synchronous clearing through counter clearing on another channel\*<sup>2</sup> are possible.

Notes: \*1 To set synchronous operation, the SYNC bits for at least two channels must be set to 1.

\*2 To set synchronous clearing, in addition to the SYNC bit, the TCNT clearing source must also be set by means of bits CCLR2 to CCLR0 in TCR.

Bit n SYNCn	Description
0	TCNTn operates independently (TCNT presetting/clearing is unrelated to other channels) (Initial value)
1	TCNTn performs synchronous operation TCNT synchronous presetting/synchronous clearing is possible

n = 5 to 0

## 10.2.10 Module Stop Control Register A (MSTPCRA)

Bit	:	7	6	5	4	3	2	1	0
		MSTPA7	MSTPA6	MSTPA5	MSTPA4	MSTPA3	MSTPA2	MSTPA1	MSTPA0
Initial value :		0	0	1	1	1	1	1	1
R/W	:	R/W	R/W	R/W	R/W	R/W	R/W	R/W	R/W

MSTPCRA is an 8-bit readable/writable register that performs module stop mode control.

When the MSTPA5 bit in MSTPCRA is set to 1, TPU operation stops at the end of the bus cycle and a transition is made to module stop mode. Registers cannot be read or written to in module stop mode. For details, see sections 21A.5, 21B.5, Module Stop Mode.

MSTPCRA is initialized to H'3F by a reset and in hardware standby mode. It is not initialized in software standby mode.

**Bit 5—Module Stop (MSTPA5):** Specifies the TPU module stop mode.

### Bit 5

#### MSTPA5 Description

0	TPU module stop mode cleared	
1	TPU module stop mode set	(Initial value)

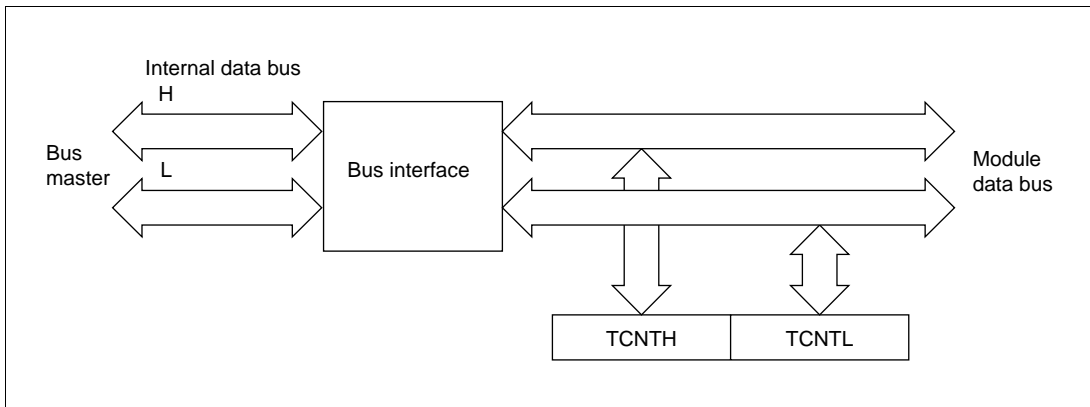
## 10.3 Interface to Bus Master

### 10.3.1 16-Bit Registers

TCNT and TGR are 16-bit registers. As the data bus to the bus master is 16 bits wide, these registers can be read and written to in 16-bit units.

These registers cannot be read or written to in 8-bit units; 16-bit access must always be used.

An example of 16-bit register access operation is shown in figure 10-2.

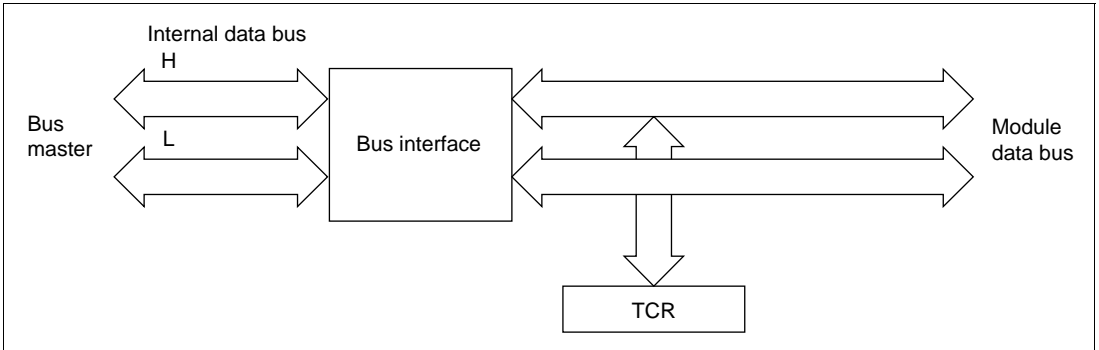


**Figure 10-2 16-Bit Register Access Operation [Bus Master ↔ TCNT (16 Bits)]**

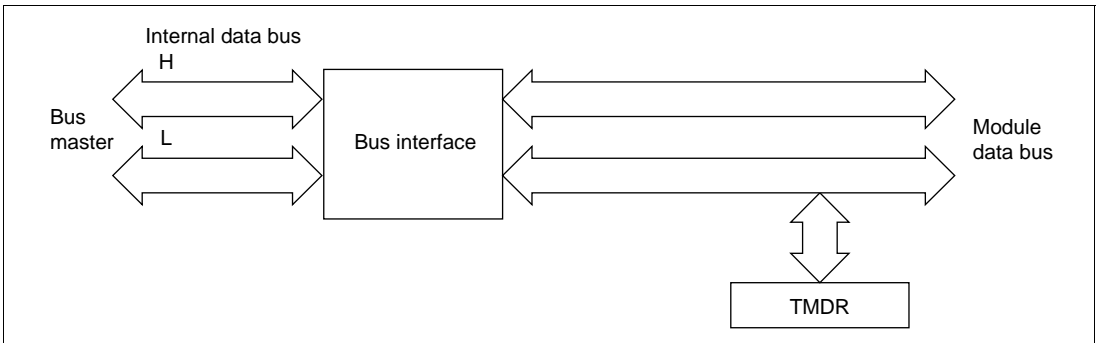
### 10.3.2 8-Bit Registers

Registers other than TCNT and TGR are 8-bit. As the data bus to the CPU is 16 bits wide, these registers can be read and written to in 16-bit units. They can also be read and written to in 8-bit units.

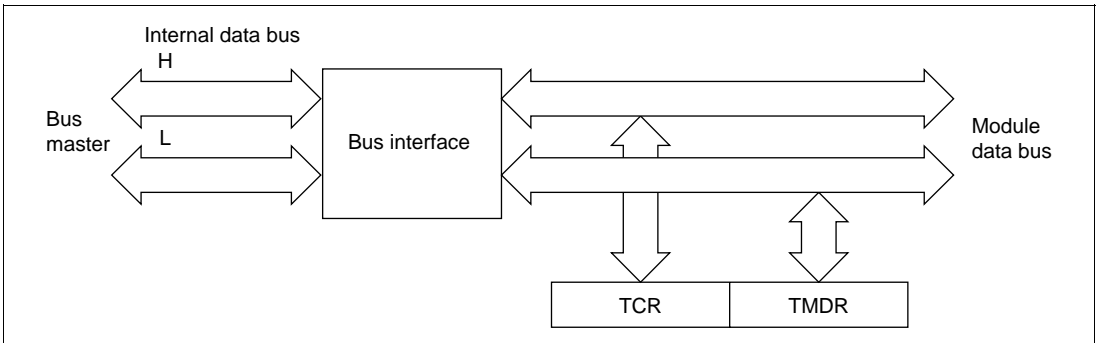
Examples of 8-bit register access operation are shown in figures 10-3 to 10-5.



**Figure 10-3 8-Bit Register Access Operation [Bus Master ↔ TCR (Upper 8 Bits)]**



**Figure 10-4 8-Bit Register Access Operation [Bus Master ↔ TMDR (Lower 8 Bits)]**



**Figure 10-5 8-Bit Register Access Operation [Bus Master ↔ TCR and TMDR (16 Bits)]**

## 10.4 Operation

### 10.4.1 Overview

Operation in each mode is outlined below.

**Normal Operation:** Each channel has a TCNT and TGR register. TCNT performs up-counting, and is also capable of free-running operation, synchronous counting, and external event counting.

Each TGR can be used as an input capture register or output compare register.

**Synchronous Operation:** When synchronous operation is designated for a channel, TCNT for that channel performs synchronous presetting. That is, when TCNT for a channel designated for synchronous operation is rewritten, the TCNT counters for the other channels are also rewritten at the same time. Synchronous clearing of the TCNT counters is also possible by setting the timer synchronization bits in TSYR for channels designated for synchronous operation.

#### Buffer Operation

- When TGR is an output compare register  
When a compare match occurs, the value in the buffer register for the relevant channel is transferred to TGR.
- When TGR is an input capture register  
When input capture occurs, the value in TCNT is transfer to TGR and the value previously held in TGR is transferred to the buffer register.

**Cascaded Operation:** The channel 1 counter (TCNT1), channel 2 counter (TCNT2), channel 4 counter (TCNT4), and channel 5 counter (TCNT5) can be connected together to operate as a 32-bit counter.

**PWM Mode:** In this mode, a PWM waveform is output. The output level can be set by means of TIOR. A PWM waveform with a duty of between 0% and 100% can be output, according to the setting of each TGR register.

**Phase Counting Mode:** In this mode, TCNT is incremented or decremented by detecting the phases of two clocks input from the external clock input pins in channels 1, 2, 4, and 5. When phase counting mode is set, the corresponding TCLK pin functions as the clock pin, and TCNT performs up- or down-counting.

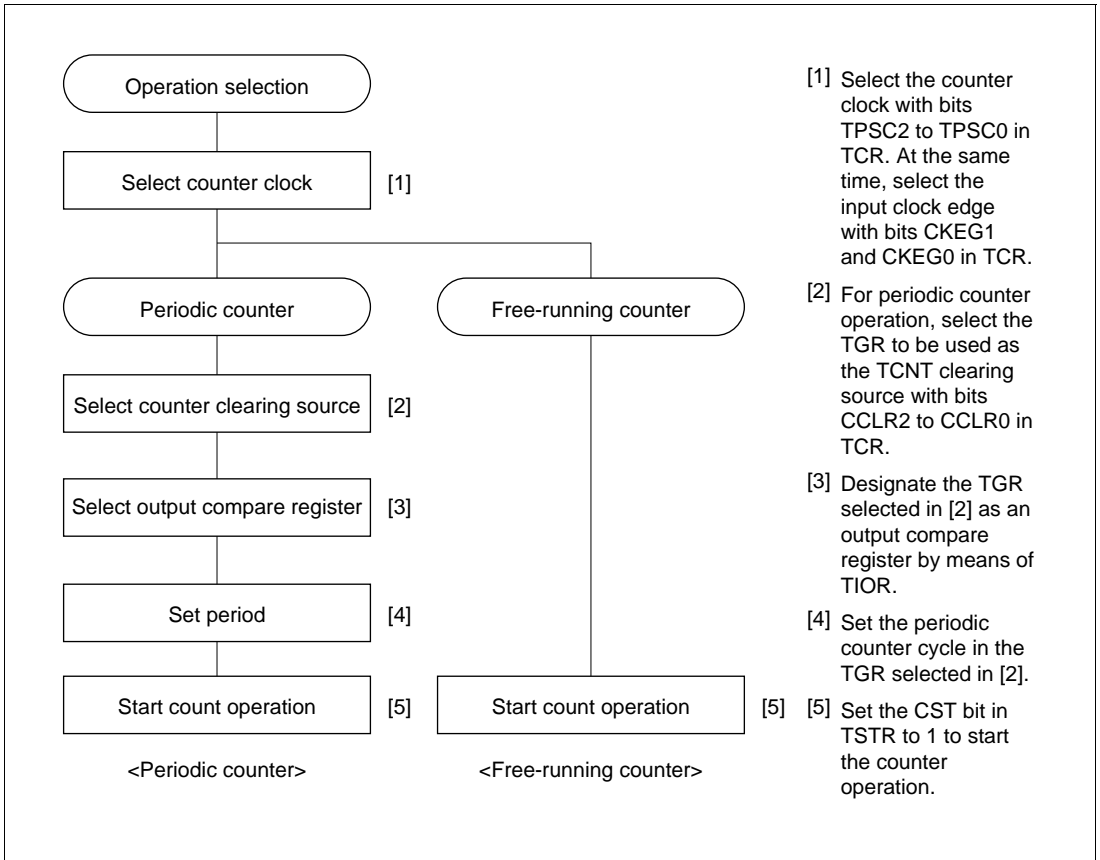
This can be used for two-phase encoder pulse input.

## 10.4.2 Basic Functions

**Counter Operation:** When one of bits CST0 to CST5 is set to 1 in TSTR, the TCNT counter for the corresponding channel starts counting. TCNT can operate as a free-running counter, periodic counter, and so on.

- Example of count operation setting procedure

Figure 10-6 shows an example of the count operation setting procedure.

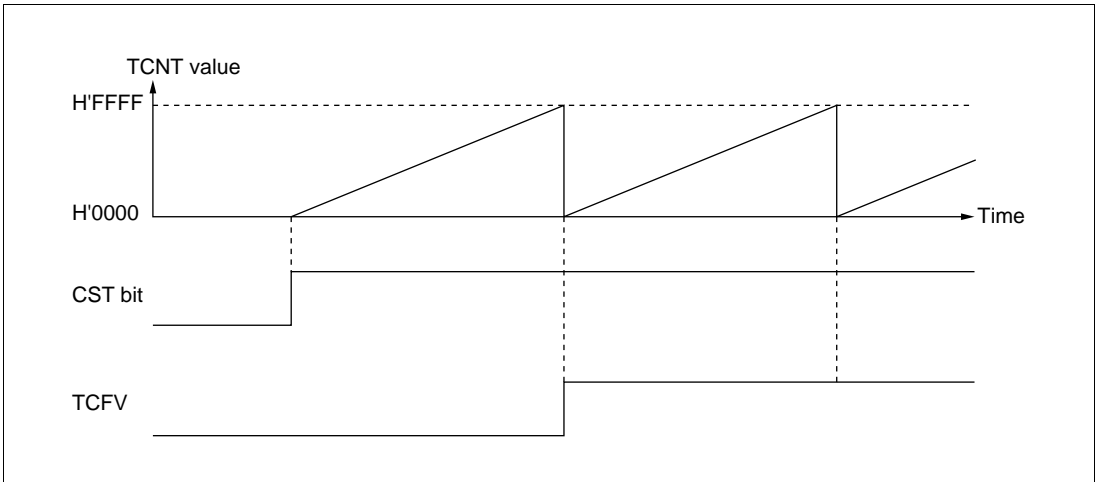


**Figure 10-6 Example of Counter Operation Setting Procedure**

- Free-running count operation and periodic count operation

Immediately after a reset, the TPU's TCNT counters are all designated as free-running counters. When the relevant bit in TSTR is set to 1 the corresponding TCNT counter starts up-count operation as a free-running counter. When TCNT overflows (from H'FFFF to H'0000), the TCFV bit in TSR is set to 1. If the value of the corresponding TCIEV bit in TIER is 1 at this point, the TPU requests an interrupt. After overflow, TCNT starts counting up again from H'0000.

Figure 10-7 illustrates free-running counter operation.



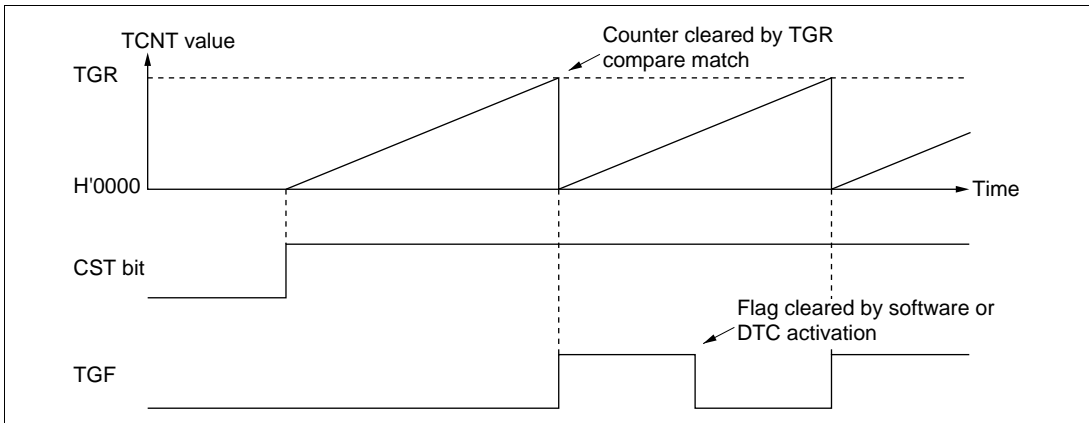
**Figure 10-7 Free-Running Counter Operation**

When compare match is selected as the TCNT clearing source, the TCNT counter for the relevant channel performs periodic count operation. The TGR register for setting the period is designated as an output compare register, and counter clearing by compare match is selected by means of bits CCLR2 to CCLR0 in TCR. After the settings have been made, TCNT starts up-count operation as periodic counter when the corresponding bit in TSTR is set to 1. When the count value matches the value in TGR, the TGF bit in TSR is set to 1 and TCNT is cleared to H'0000.

If the value of the corresponding TGIE bit in TIER is 1 at this point, the TPU requests an interrupt. After a compare match, TCNT starts counting up again from H'0000.



Figure 10-8 illustrates periodic counter operation.

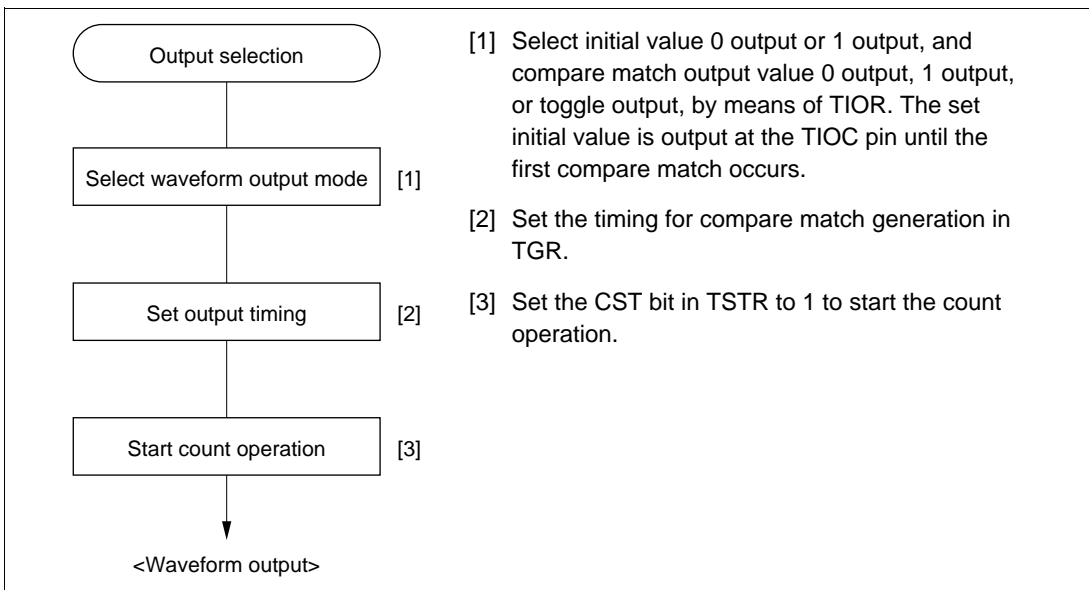


**Figure 10-8 Periodic Counter Operation**

**Waveform Output by Compare Match:** The TPU can perform 0, 1, or toggle output from the corresponding output pin using compare match.

- Example of setting procedure for waveform output by compare match

Figure 10-9 shows an example of the setting procedure for waveform output by compare match

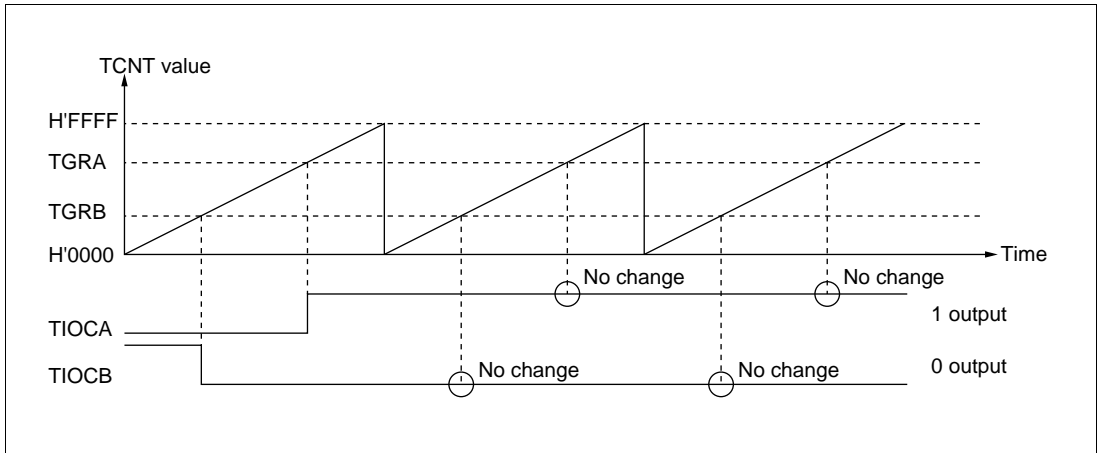


**Figure 10-9 Example of Setting Procedure for Waveform Output by Compare Match**

- Examples of waveform output operation

Figure 10-10 shows an example of 0 output/1 output.

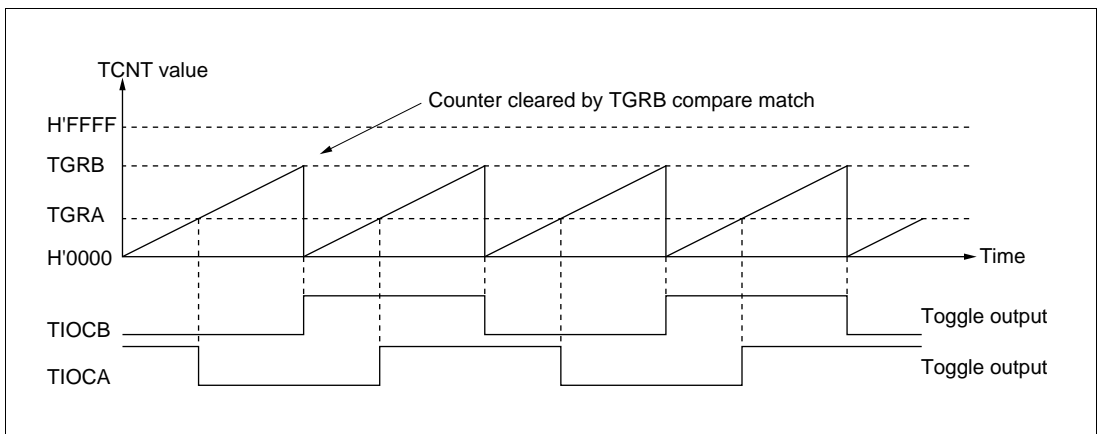
In this example TCNT has been designated as a free-running counter, and settings have been made so that 1 is output by compare match A, and 0 is output by compare match B. When the set level and the pin level coincide, the pin level does not change.



**Figure 10-10 Example of 0 Output/1 Output Operation**

Figure 10-11 shows an example of toggle output.

In this example TCNT has been designated as a periodic counter (with counter clearing performed by compare match B), and settings have been made so that output is toggled by both compare match A and compare match B.



**Figure 10-11 Example of Toggle Output Operation**

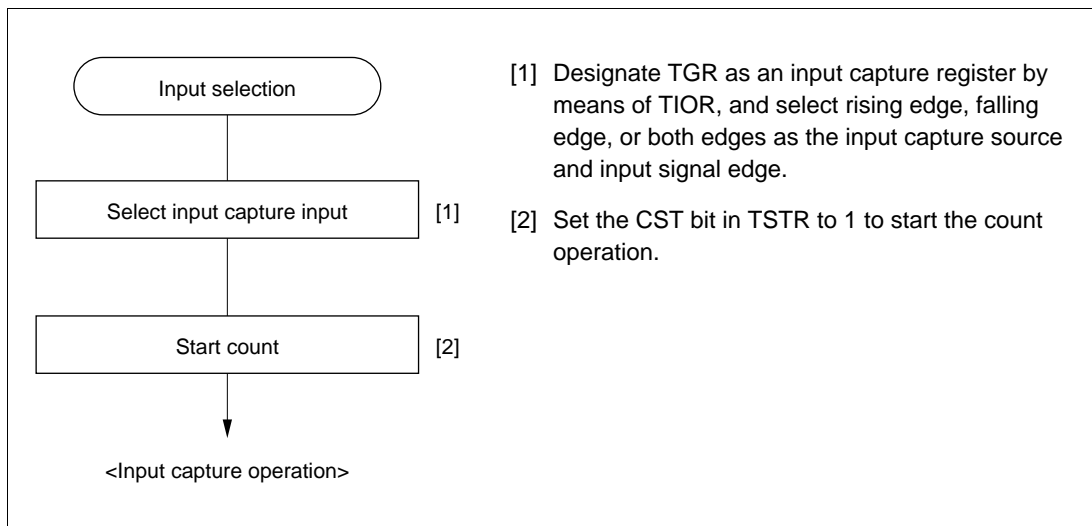
**Input Capture Function:** The TCNT value can be transferred to TGR on detection of the TIOC pin input edge.

Rising edge, falling edge, or both edges can be selected as the detected edge. For channels 0, 1, 3, and 4, it is also possible to specify another channel's counter input clock or compare match signal as the input capture source.

Note: When another channel's counter input clock is used as the input capture input for channels 0 and 3,  $\phi/1$  should not be selected as the counter input clock used for input capture input. Input capture will not be generated if  $\phi/1$  is selected.

- Example of input capture operation setting procedure

Figure 10-12 shows an example of the input capture operation setting procedure.

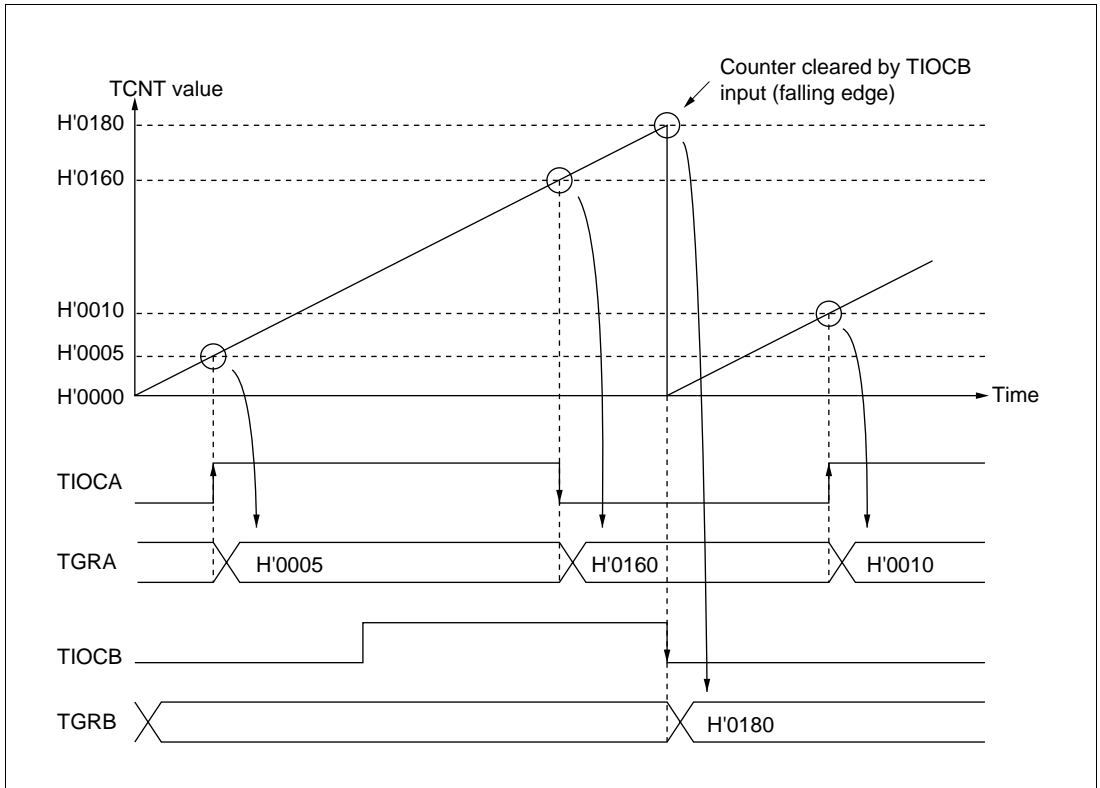


**Figure 10-12 Example of Input Capture Operation Setting Procedure**

- Example of input capture operation

Figure 10-13 shows an example of input capture operation.

In this example both rising and falling edges have been selected as the TIOCA pin input capture input edge, falling edge has been selected as the TIOCB pin input capture input edge, and counter clearing by TGRB input capture has been designated for TCNT.



**Figure 10-13 Example of Input Capture Operation**

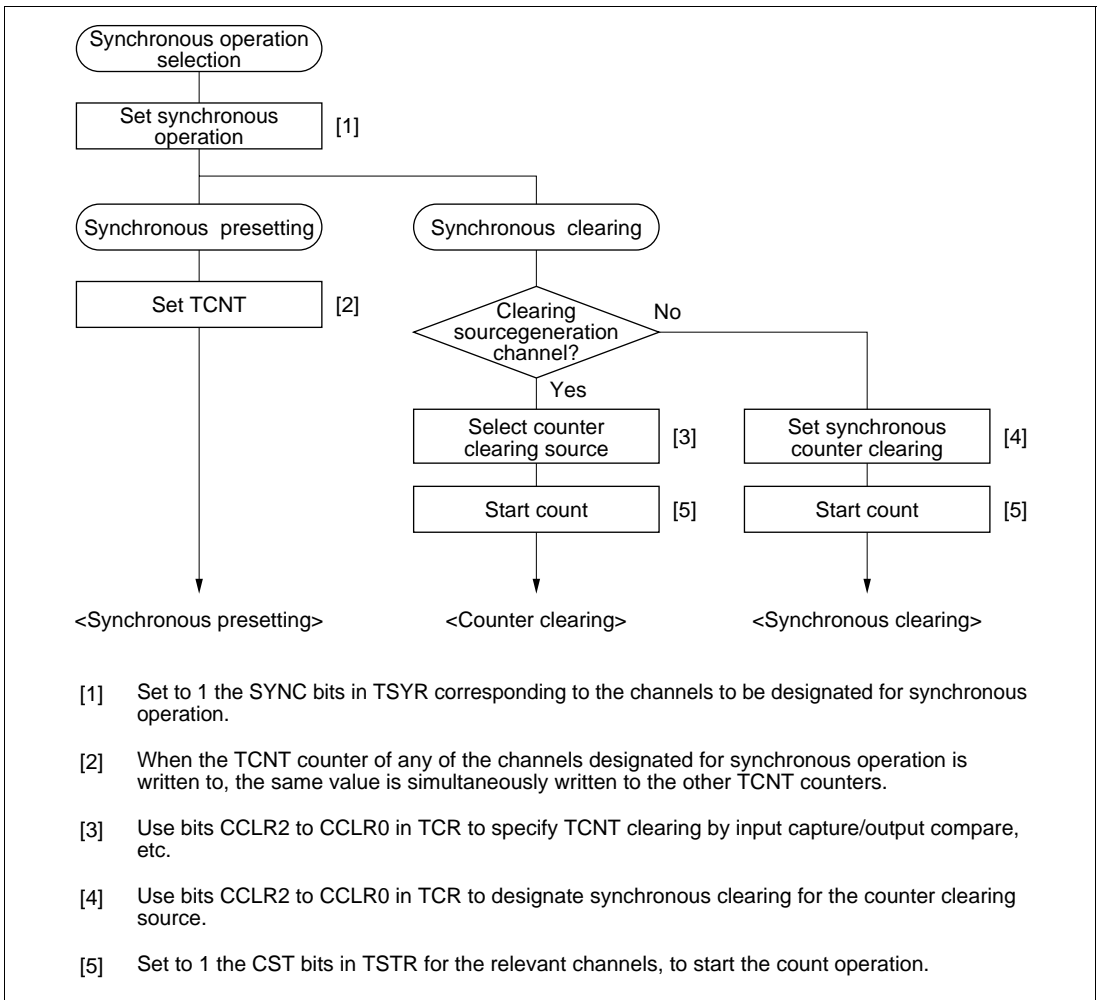
### 10.4.3 Synchronous Operation

In synchronous operation, the values in a number of TCNT counters can be rewritten simultaneously (synchronous presetting). Also, a number of TCNT counters can be cleared simultaneously by making the appropriate setting in TCR (synchronous clearing).

Synchronous operation enables TGR to be incremented with respect to a single time base.

Channels 0 to 5 can all be designated for synchronous operation.

**Example of Synchronous Operation Setting Procedure:** Figure 10-14 shows an example of the synchronous operation setting procedure.



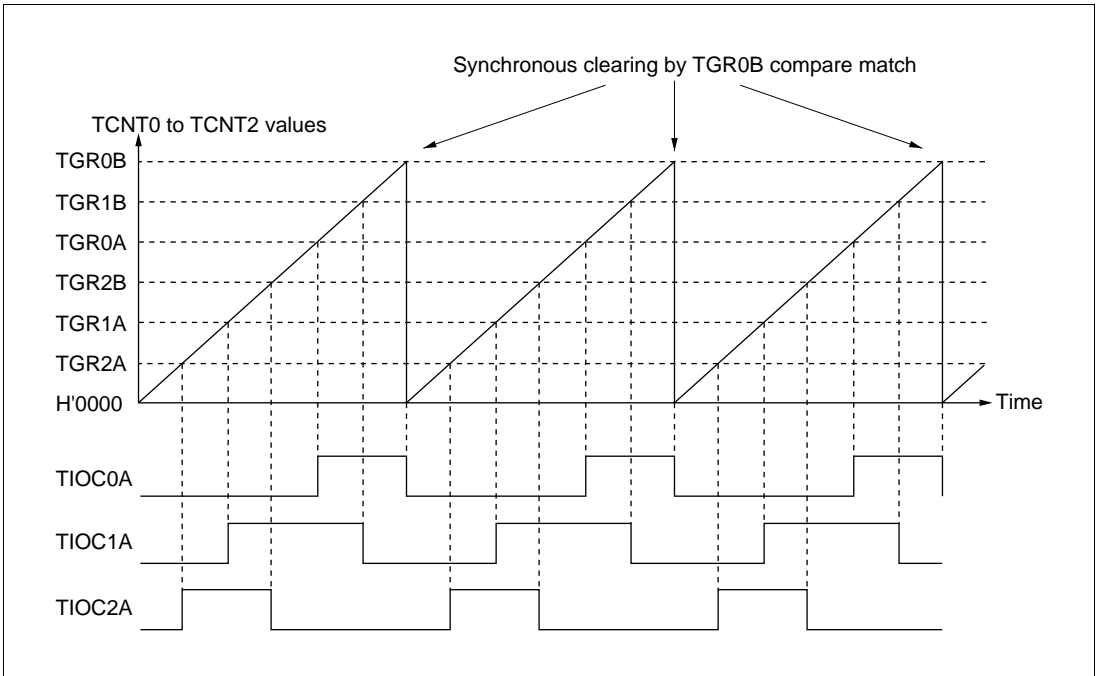
**Figure 10-14 Example of Synchronous Operation Setting Procedure**

**Example of Synchronous Operation:** Figure 10-15 shows an example of synchronous operation.

In this example, synchronous operation and PWM mode 1 have been designated for channels 0 to 2, TGR0B compare match has been set as the channel 0 counter clearing source, and synchronous clearing has been set for the channel 1 and 2 counter clearing sources.

Three-phase PWM waveforms are output from pins TIOC0A, TIOC1A, and TIOC2A. At this time, synchronous presetting, and synchronous clearing by TGR0B compare match, is performed for channel 0 to 2 TCNT counters, and the data set in TGR0B is used as the PWM cycle.

For details of PWM modes, see section 10.4.6, PWM Modes.



**Figure 10-15 Example of Synchronous Operation**

## 10.4.4 Buffer Operation

Buffer operation, provided for channels 0 and 3, enables TGRC and TGRD to be used as buffer registers.

Buffer operation differs depending on whether TGR has been designated as an input capture register or as a compare match register.

Table 10-5 shows the register combinations used in buffer operation.

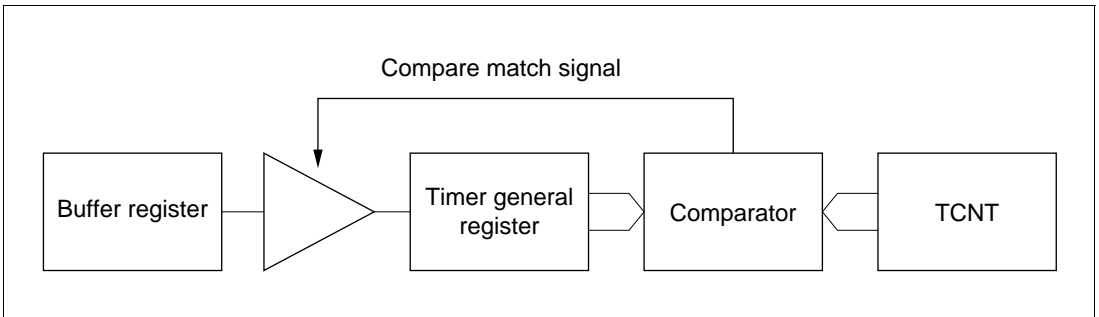
**Table 10-5 Register Combinations in Buffer Operation**

Channel	Timer General Register	Buffer Register
0	TGR0A	TGR0C
	TGR0B	TGR0D
3	TGR3A	TGR3C
	TGR3B	TGR3D

- When TGR is an output compare register

When a compare match occurs, the value in the buffer register for the corresponding channel is transferred to the timer general register.

This operation is illustrated in figure 10-16.

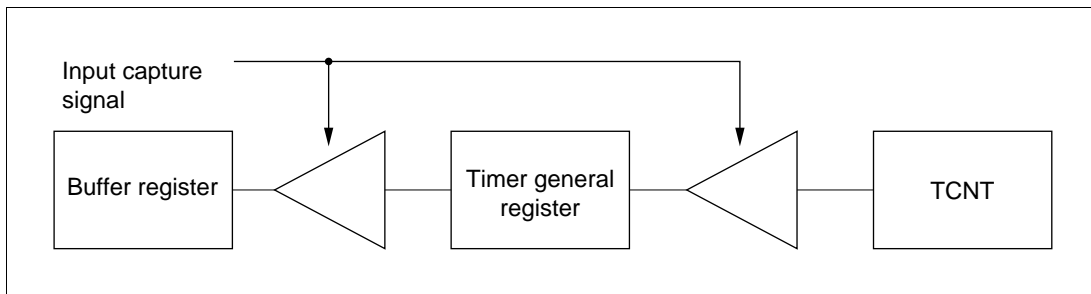


**Figure 10-16 Compare Match Buffer Operation**

- When TGR is an input capture register

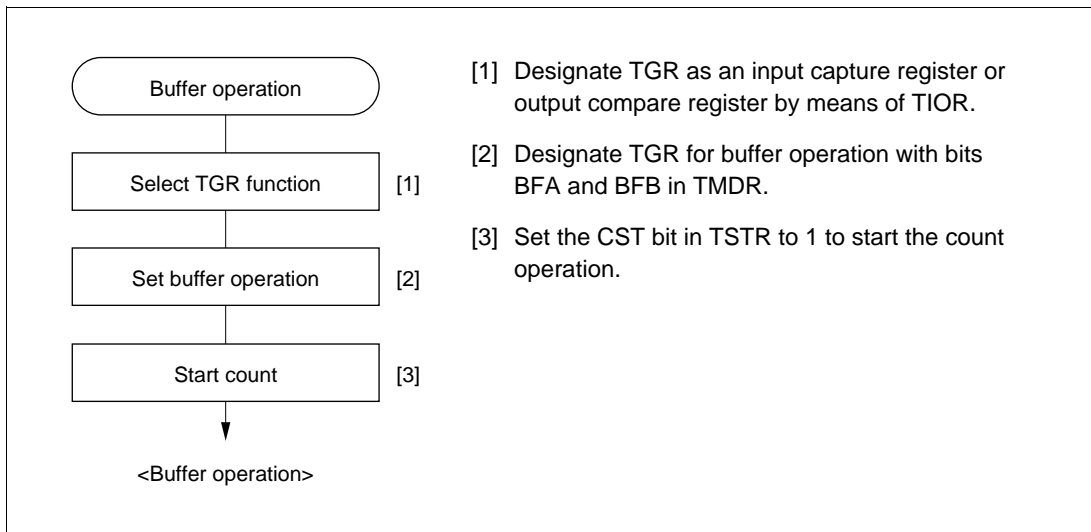
When input capture occurs, the value in TCNT is transferred to TGR and the value previously held in the timer general register is transferred to the buffer register.

This operation is illustrated in figure 10-17.



**Figure 10-17 Input Capture Buffer Operation**

**Example of Buffer Operation Setting Procedure:** Figure 10-18 shows an example of the buffer operation setting procedure.



**Figure 10-18 Example of Buffer Operation Setting Procedure**



## Examples of Buffer Operation

- When TGR is an output compare register

Figure 10-19 shows an operation example in which PWM mode 1 has been designated for channel 0, and buffer operation has been designated for TGRA and TGRC. The settings used in this example are TCNT clearing by compare match B, 1 output at compare match A, and 0 output at compare match B.

As buffer operation has been set, when compare match A occurs the output changes and the value in buffer register TGRC is simultaneously transferred to timer general register TGRA. This operation is repeated each time compare match A occurs.

For details of PWM modes, see section 10.4.6, PWM Modes.

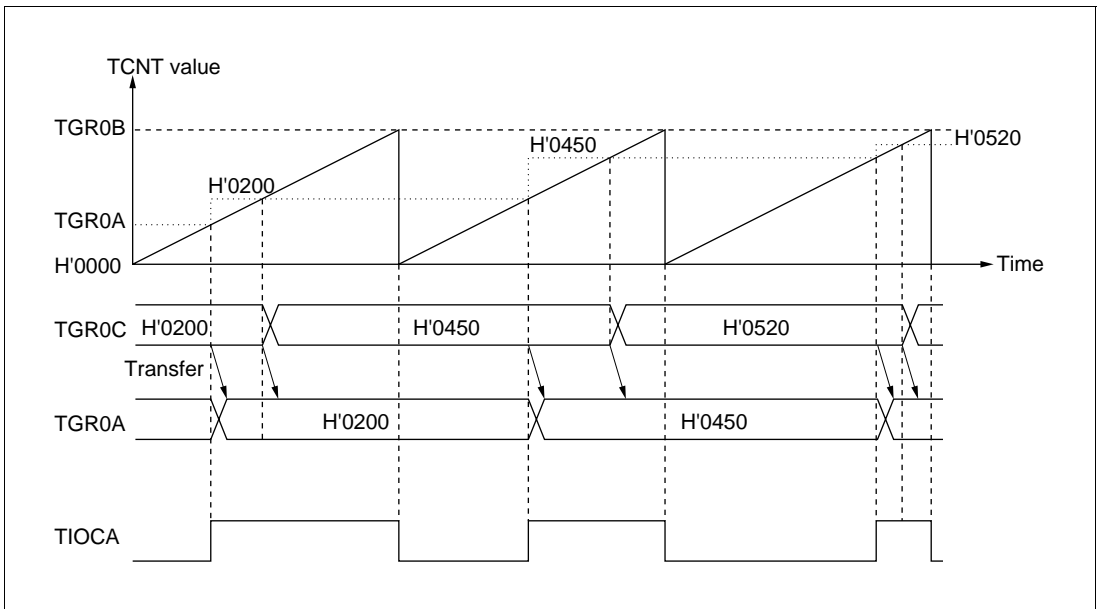


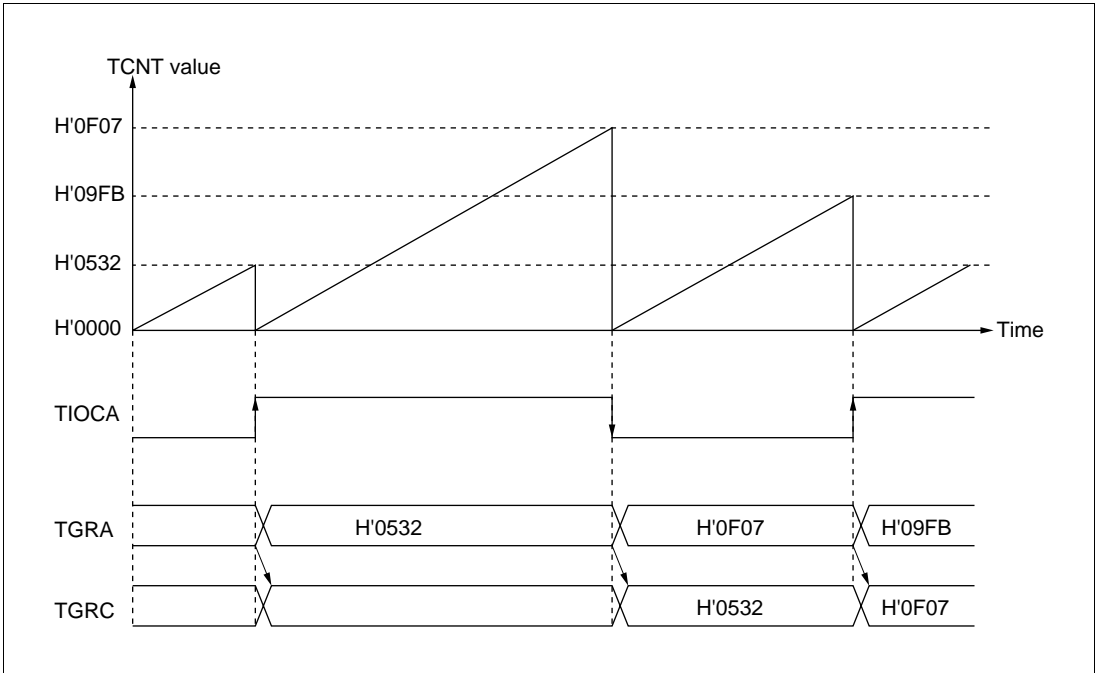
Figure 10-19 Example of Buffer Operation (1)

- When TGR is an input capture register

Figure 10-20 shows an operation example in which TGRA has been designated as an input capture register, and buffer operation has been designated for TGRA and TGRC.

Counter clearing by TGRA input capture has been set for TCNT, and both rising and falling edges have been selected as the TIOCA pin input capture input edge.

As buffer operation has been set, when the TCNT value is stored in TGRA upon occurrence of input capture A, the value previously stored in TGRA is simultaneously transferred to TGRC.



**Figure 10-20 Example of Buffer Operation (2)**

## 10.4.5 Cascaded Operation

In cascaded operation, two 16-bit counters for different channels are used together as a 32-bit counter.

This function works by counting the channel 1 (channel 4) counter clock upon overflow/underflow of TCNT2 (TCNT5) as set in bits TPSC2 to TPSC0 in TCR.

Underflow occurs only when the lower 16-bit TCNT is in phase-counting mode.

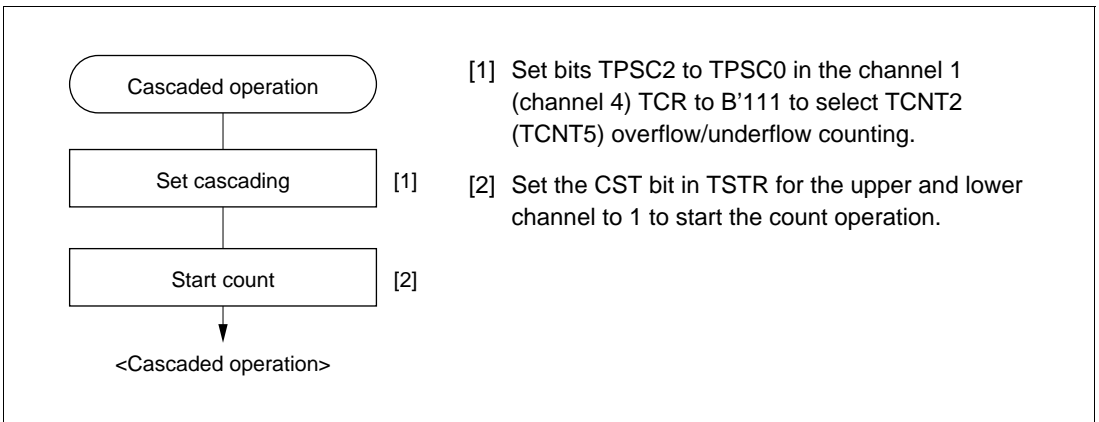
Table 10-6 shows the register combinations used in cascaded operation.

Note: When phase counting mode is set for channel 1 or 4, the counter clock setting is invalid and the counter operates independently in phase counting mode.

**Table 10-6 Cascaded Combinations**

Combination	Upper 16 Bits	Lower 16 Bits
Channels 1 and 2	TCNT1	TCNT2
Channels 4 and 5	TCNT4	TCNT5

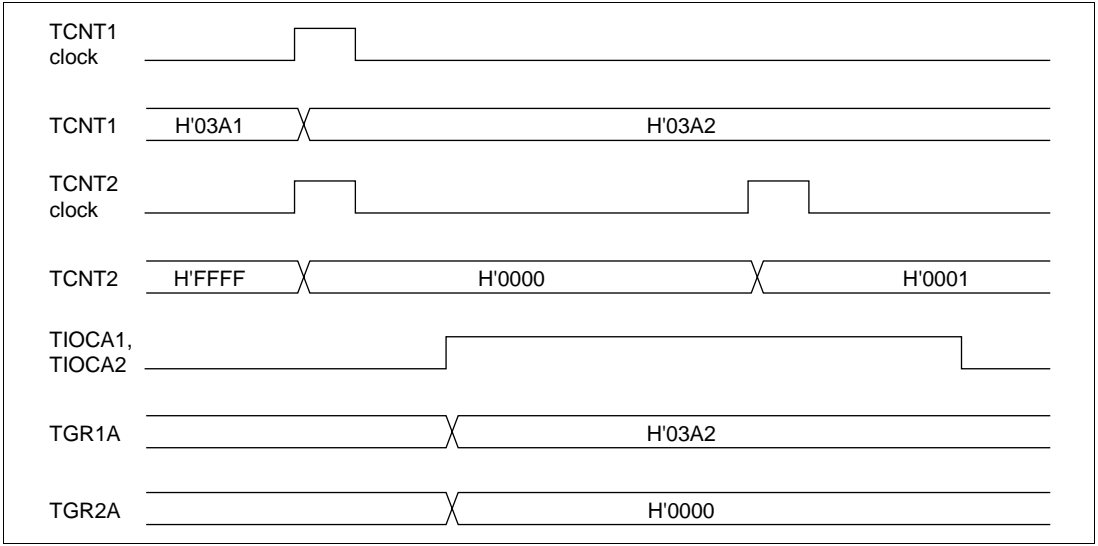
**Example of Cascaded Operation Setting Procedure:** Figure 10-21 shows an example of the setting procedure for cascaded operation.



**Figure 10-21 Cascaded Operation Setting Procedure**

**Examples of Cascaded Operation:** Figure 10-22 illustrates the operation when counting upon TCNT2 overflow/underflow has been set for TCNT1, TGR1A and TGR2A have been designated as input capture registers, and TIOC pin rising edge has been selected.

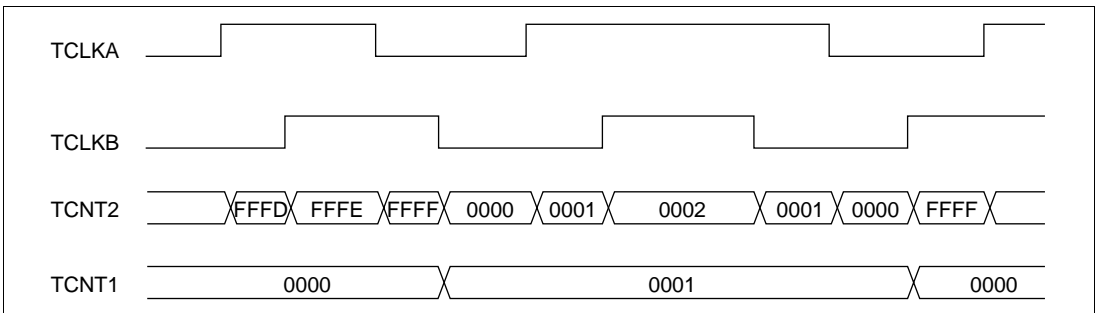
When a rising edge is input to the TIOCA1 and TIOCA2 pins simultaneously, the upper 16 bits of the 32-bit data are transferred to TGR1A, and the lower 16 bits to TGR2A.



**Figure 10-22 Example of Cascaded Operation (1)**

Figure 10-23 illustrates the operation when counting upon TCNT2 overflow/underflow has been set for TCNT1, and phase counting mode has been designated for channel 2.

TCNT1 is incremented by TCNT2 overflow and decremented by TCNT2 underflow.



**Figure 10-23 Example of Cascaded Operation (2)**

## 10.4.6 PWM Modes

In PWM mode, PWM waveforms are output from the output pins. 0, 1, or toggle output can be selected as the output level in response to compare match of each TGR.

Designating TGR compare match as the counter clearing source enables the period to be set in that register. All channels can be designated for PWM mode independently. Synchronous operation is also possible.

There are two PWM modes, as described below.

- PWM mode 1

PWM output is generated from the TIOCA and TIOCC pins by pairing TGRA with TGRB and TGRC with TGRD. The output specified by bits IOA3 to IOA0 and IOC3 to IOC0 in TIOR is output from the TIOCA and TIOCC pins at compare matches A and C, and the output specified by bits IOB3 to IOB0 and IOD3 to IOD0 in TIOR is output at compare matches B and D. The initial output value is the value set in TGRA or TGRC. If the set values of paired TGRs are identical, the output value does not change when a compare match occurs.

In PWM mode 1, a maximum 8-phase PWM output is possible.

- PWM mode 2

PWM output is generated using one TGR as the cycle register and the others as duty registers. The output specified in TIOR is performed by means of compare matches. Upon counter clearing by a synchronization register compare match, the output value of each pin is the initial value set in TIOR. If the set values of the cycle and duty registers are identical, the output value does not change when a compare match occurs.

In PWM mode 2, a maximum 15-phase PWM output is possible by combined use with synchronous operation.

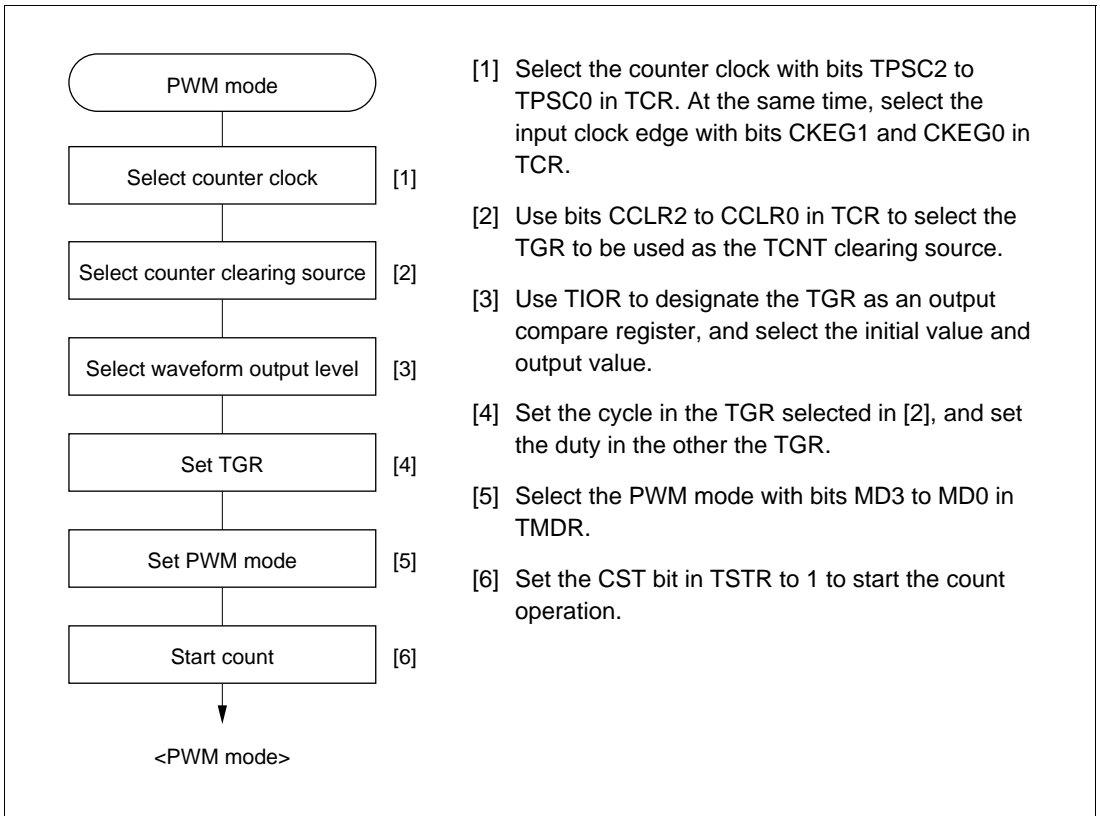
The correspondence between PWM output pins and registers is shown in table 10-7.

**Table 10-7 PWM Output Registers and Output Pins**

Channel	Registers	Output Pins	
		PWM Mode 1	PWM Mode 2
0	TGR0A	TIOCA0	TIOCA0
	TGR0B		TIOCB0
	TGR0C	TIOCC0	TIOCC0
	TGR0D		TIOCD0
1	TGR1A	TIOCA1	TIOCA1
	TGR1B		TIOCB1
2	TGR2A	TIOCA2	TIOCA2
	TGR2B		TIOCB2
3	TGR3A	TIOCA3	TIOCA3
	TGR3B		TIOCB3
	TGR3C	TIOCC3	TIOCC3
	TGR3D		TIOCD3
4	TGR4A	TIOCA4	TIOCA4
	TGR4B		TIOCB4
5	TGR5A	TIOCA5	TIOCA5
	TGR5B		TIOCB5

Note: In PWM mode 2, PWM output is not possible for the TGR register in which the period is set.

**Example of PWM Mode Setting Procedure:** Figure 10-24 shows an example of the PWM mode setting procedure.

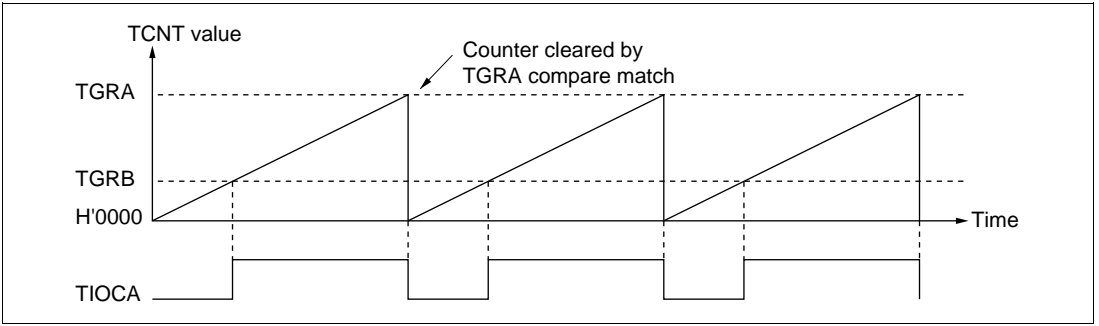


**Figure 10-24 Example of PWM Mode Setting Procedure**

**Examples of PWM Mode Operation:** Figure 10-25 shows an example of PWM mode 1 operation.

In this example, TGRA compare match is set as the TCNT clearing source, 0 is set for the TGRA initial output value and output value, and 1 is set as the TGRB output value.

In this case, the value set in TGRA is used as the period, and the values set in TGRB registers as the duty.

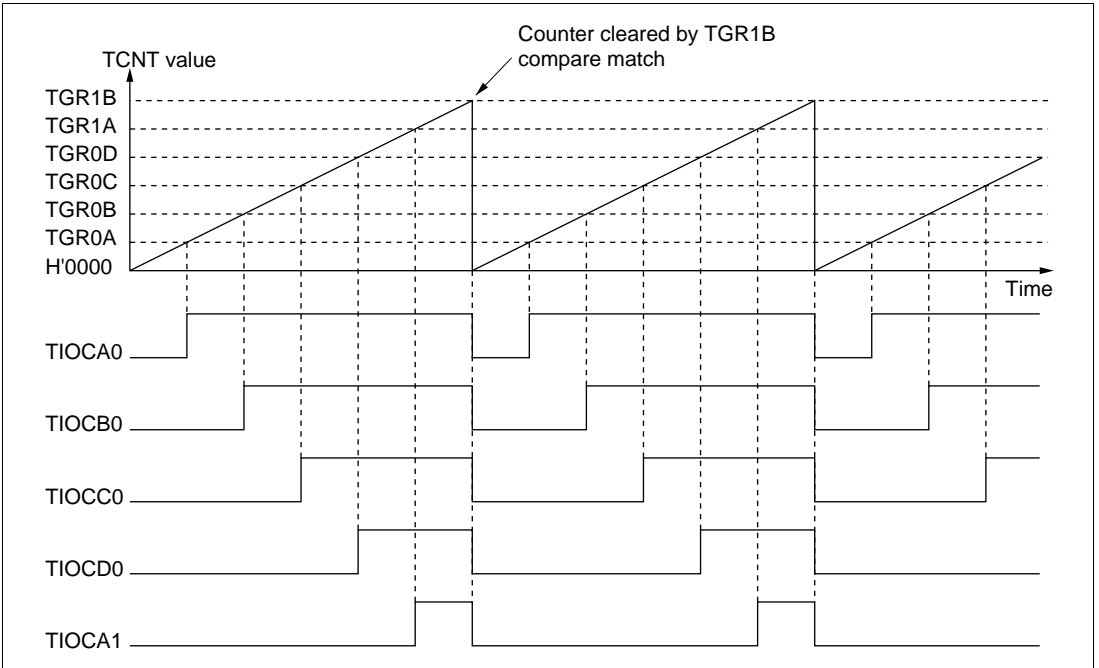


**Figure 10-25 Example of PWM Mode Operation (1)**

Figure 10-26 shows an example of PWM mode 2 operation.

In this example, synchronous operation is designated for channels 0 and 1, TGR1B compare match is set as the TCNT clearing source, and 0 is set for the initial output value and 1 for the output value of the other TGR registers (TGR0A to TGR0D, TGR1A), to output a 5-phase PWM waveform.

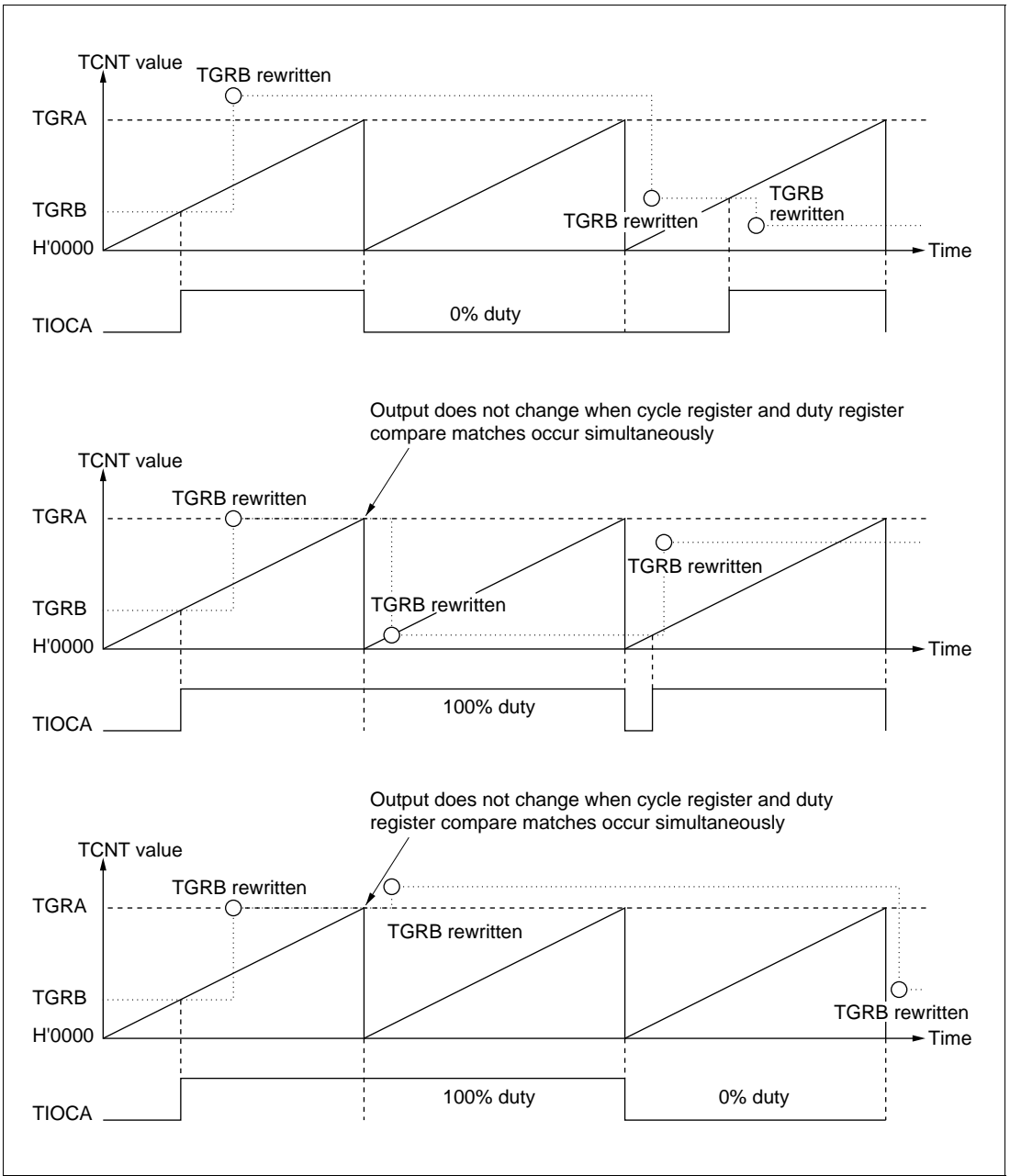
In this case, the value set in TGR1B is used as the cycle, and the values set in the other TGRs as the duty.



**Figure 10-26 Example of PWM Mode Operation (2)**



Figure 10-27 shows examples of PWM waveform output with 0% duty and 100% duty in PWM mode.



**Figure 10-27 Example of PWM Mode Operation (3)**

## 10.4.7 Phase Counting Mode

In phase counting mode, the phase difference between two external clock inputs is detected and TCNT is incremented/decremented accordingly. This mode can be set for channels 1, 2, 4, and 5.

When phase counting mode is set, an external clock is selected as the counter input clock and TCNT operates as an up/down-counter regardless of the setting of bits TPSC2 to TPSC0 and bits CKEG1 and CKEG0 in TCR. However, the functions of bits CCLR1 and CCLR0 in TCR, and of TIOR, TIER, and TGR are valid, and input capture/compare match and interrupt functions can be used.

When overflow occurs while TCNT is counting up, the TCFV flag in TSR is set; when underflow occurs while TCNT is counting down, the TCFU flag is set.

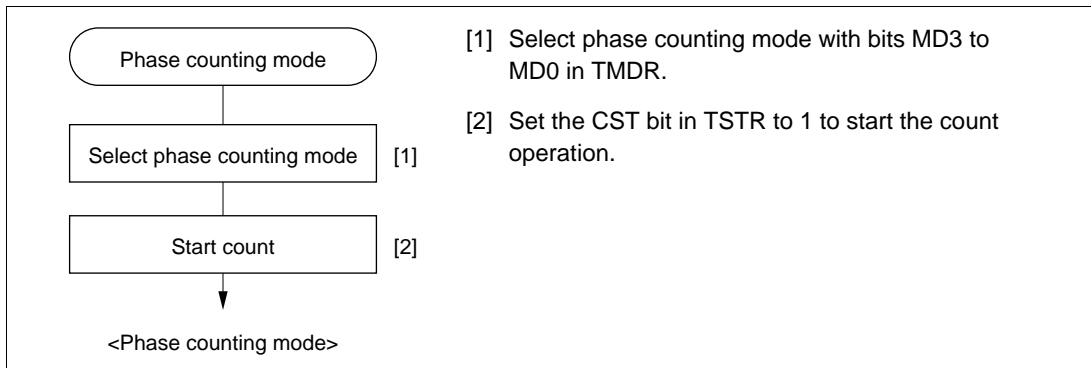
The TCFD bit in TSR is the count direction flag. Reading the TCFD flag provides an indication of whether TCNT is counting up or down.

Table 10-8 shows the correspondence between external clock pins and channels.

**Table 10-8 Phase Counting Mode Clock Input Pins**

Channels	External Clock Pins	
	A-Phase	B-Phase
When channel 1 or 5 is set to phase counting mode	TCLKA	TCLKB
When channel 2 or 4 is set to phase counting mode	TCLKC	TCLKD

**Example of Phase Counting Mode Setting Procedure:** Figure 10-28 shows an example of the phase counting mode setting procedure.

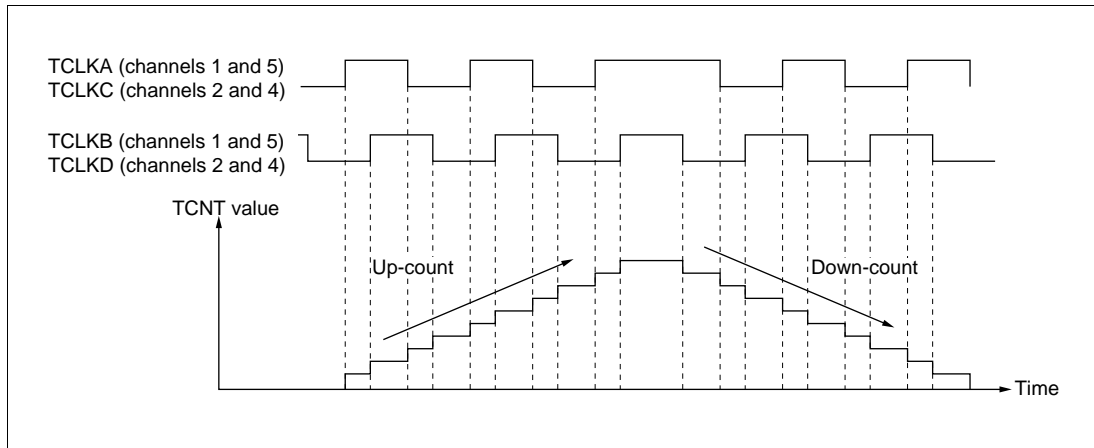


**Figure 10-28 Example of Phase Counting Mode Setting Procedure**

**Examples of Phase Counting Mode Operation:** In phase counting mode, TCNT counts up or down according to the phase difference between two external clocks. There are four modes, according to the count conditions.

- Phase counting mode 1

Figure 10-29 shows an example of phase counting mode 1 operation, and table 10-9 summarizes the TCNT up/down-count conditions.



**Figure 10-29 Example of Phase Counting Mode 1 Operation**

**Table 10-9 Up/Down-Count Conditions in Phase Counting Mode 1**

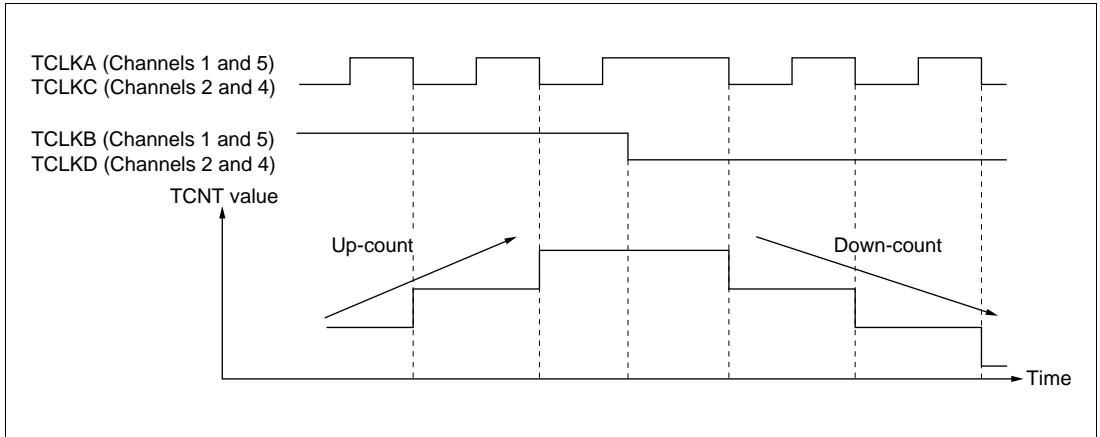
TCLKA (Channels 1 and 5) TCLKC (Channels 2 and 4)	TCLKB (Channels 1 and 5) TCLKD (Channels 2 and 4)	Operation
High level		Up-count
Low level		
	Low level	Down-count
	High level	
High level		Down-count
Low level		
	High level	Up-count
	Low level	

**Legend**

- : Rising edge
- : Falling edge

- Phase counting mode 2

Figure 10-30 shows an example of phase counting mode 2 operation, and table 10-10 summarizes the TCNT up/down-count conditions.



**Figure 10-30 Example of Phase Counting Mode 2 Operation**

**Table 10-10 Up/Down-Count Conditions in Phase Counting Mode 2**

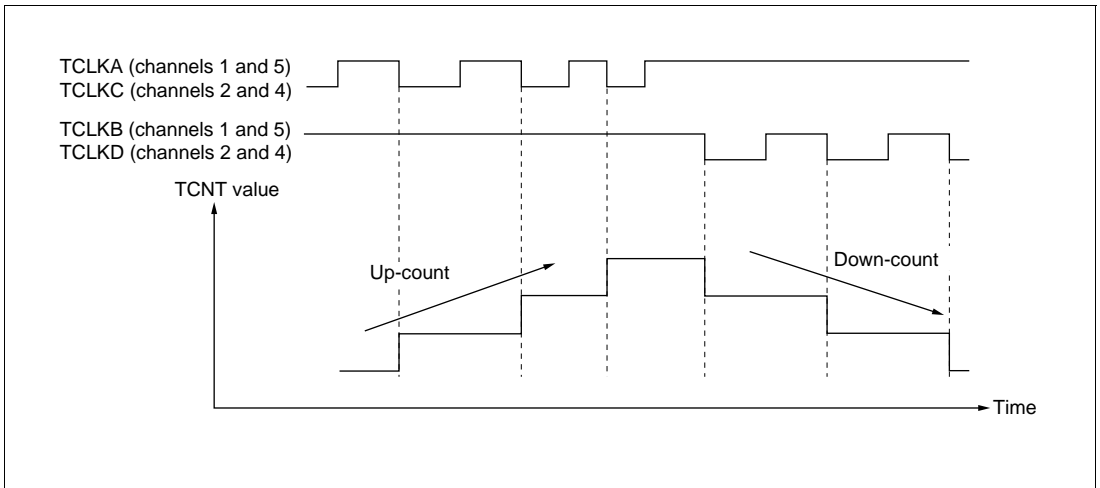
TCLKA (Channels 1 and 5) TCLKC (Channels 2 and 4)	TCLKB (Channels 1 and 5) TCLKD (Channels 2 and 4)	Operation
High level		Don't care
Low level		Don't care
	Low level	Don't care
	High level	Up-count
High level		Don't care
Low level		Don't care
	High level	Don't care
	Low level	Down-count

**Legend**

- : Rising edge
- : Falling edge

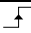
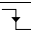


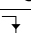

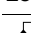
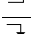
- Phase counting mode 3

Figure 10-31 shows an example of phase counting mode 3 operation, and table 10-11 summarizes the TCNT up/down-count conditions.





**Figure 10-31 Example of Phase Counting Mode 3 Operation**

**Table 10-11 Up/Down-Count Conditions in Phase Counting Mode 3**

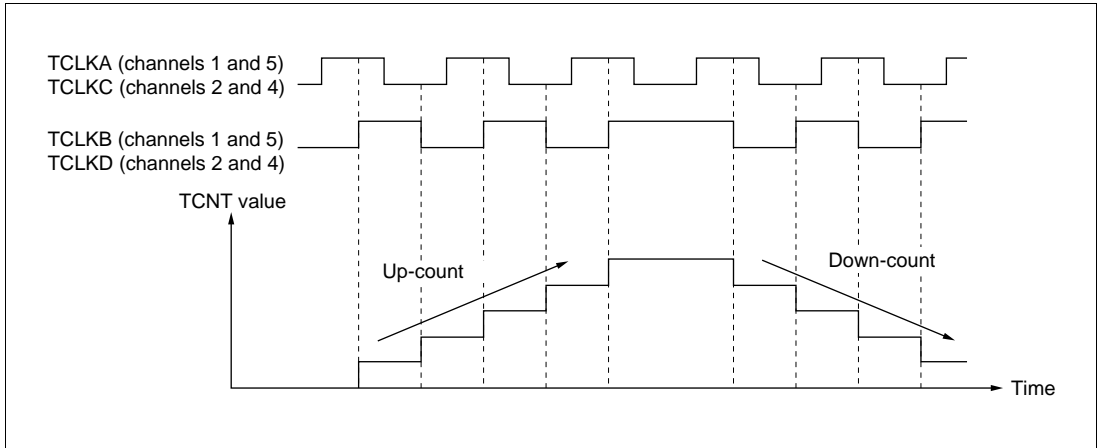
TCLKA (Channels 1 and 5) TCLKC (Channels 2 and 4)	TCLKB (Channels 1 and 5) TCLKD (Channels 2 and 4)	Operation
High level		Don't care
Low level		Don't care
	Low level	Don't care
	High level	Up-count
High level		Down-count
Low level		Don't care
	High level	Don't care
	Low level	Don't care

**Legend**

-  : Rising edge
-  : Falling edge

- Phase counting mode 4

Figure 10-32 shows an example of phase counting mode 4 operation, and table 10-12 summarizes the TCNT up/down-count conditions.



**Figure 10-32 Example of Phase Counting Mode 4 Operation**

**Table 10-12 Up/Down-Count Conditions in Phase Counting Mode 4**

TCLKA (Channels 1 and 5) TCLKC (Channels 2 and 4)	TCLKB (Channels 1 and 5) TCLKD (Channels 2 and 4)	Operation
High level		Up-count
Low level		Up-count
	Low level	Don't care
	High level	Don't care
High level		Down-count
Low level		Down-count
	High level	Don't care
	Low level	Don't care

**Legend**

- : Rising edge
- : Falling edge

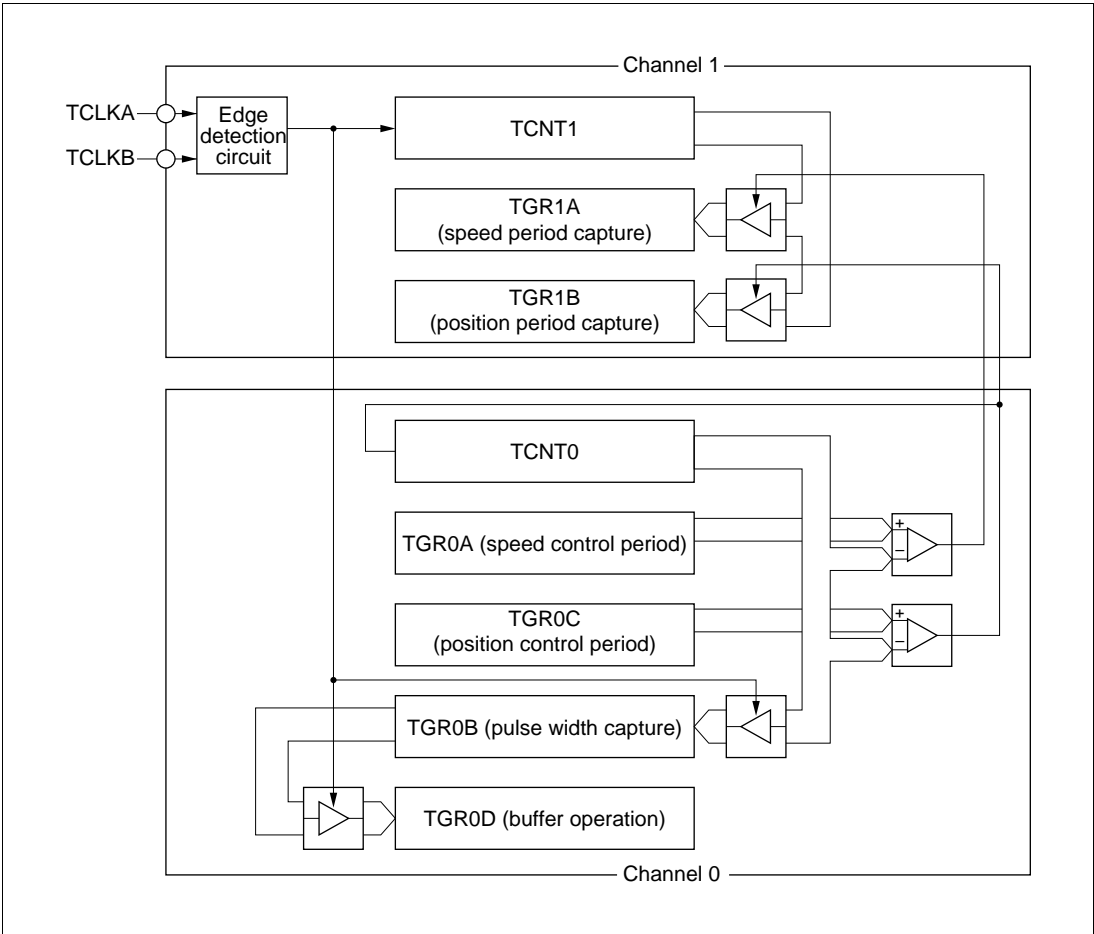
**Phase Counting Mode Application Example:** Figure 10-33 shows an example in which phase counting mode is designated for channel 1, and channel 1 is coupled with channel 0 to input servo motor 2-phase encoder pulses in order to detect the position or speed.

Channel 1 is set to phase counting mode 1, and the encoder pulse A-phase and B-phase are input to TCLKA and TCLKB.

Channel 0 operates with TCNT counter clearing by TGR0C compare match; TGR0A and TGR0C are used for the compare match function, and are set with the speed control period and position control period. TGR0B is used for input capture, with TGR0B and TGR0D operating in buffer mode. The channel 1 counter input clock is designated as the TGR0B input capture source, and detection of the pulse width of 2-phase encoder 4-multiplication pulses is performed.

TGR1A and TGR1B for channel 1 are designated for input capture, channel 0 TGR0A and TGR0C compare matches are selected as the input capture source, and store the up/down-counter values for the control periods.

This procedure enables accurate position/speed detection to be achieved.



**Figure 10-33 Phase Counting Mode Application Example**



## 10.5 Interrupts

### 10.5.1 Interrupt Sources and Priorities

There are three kinds of TPU interrupt source: TGR input capture/compare match, TCNT overflow, and TCNT underflow. Each interrupt source has its own status flag and enable/disabled bit, allowing generation of interrupt request signals to be enabled or disabled individually.

When an interrupt request is generated, the corresponding status flag in TSR is set to 1. If the corresponding enable/disable bit in TIER is set to 1 at this time, an interrupt is requested. The interrupt request is cleared by clearing the status flag to 0.

Relative channel priorities can be changed by the interrupt controller, but the priority order within a channel is fixed. For details, see section 5, Interrupt Controller.

Table 10-13 lists the TPU interrupt sources.

**Table 10-13 TPU Interrupts**

Channel	Interrupt Source	Description	DTC Activation	Priority
0	TGI0A	TGR0A input capture/compare match	Possible	High ↑
	TGI0B	TGR0B input capture/compare match	Possible	
	TGI0C	TGR0C input capture/compare match	Possible	
	TGI0D	TGR0D input capture/compare match	Possible	
	TCI0V	TCNT0 overflow	Not possible	
1	TGI1A	TGR1A input capture/compare match	Possible	↑
	TGI1B	TGR1B input capture/compare match	Possible	
	TCI1V	TCNT1 overflow	Not possible	
	TCI1U	TCNT1 underflow	Not possible	
2	TGI2A	TGR2A input capture/compare match	Possible	↑
	TGI2B	TGR2B input capture/compare match	Possible	
	TCI2V	TCNT2 overflow	Not possible	
	TCI2U	TCNT2 underflow	Not possible	
3	TGI3A	TGR3A input capture/compare match	Possible	↑
	TGI3B	TGR3B input capture/compare match	Possible	
	TGI3C	TGR3C input capture/compare match	Possible	
	TGI3D	TGR3D input capture/compare match	Possible	
	TCI3V	TCNT3 overflow	Not possible	
4	TGI4A	TGR4A input capture/compare match	Possible	↑
	TGI4B	TGR4B input capture/compare match	Possible	
	TCI4V	TCNT4 overflow	Not possible	
	TCI4U	TCNT4 underflow	Not possible	
5	TGI5A	TGR5A input capture/compare match	Possible	↑
	TGI5B	TGR5B input capture/compare match	Possible	
	TCI5V	TCNT5 overflow	Not possible	
	TCI5U	TCNT5 underflow	Not possible	

Note: This table shows the initial state immediately after a reset. The relative channel priorities can be changed by the interrupt controller.

**Input Capture/Compare Match Interrupt:** An interrupt is requested if the TGIE bit in TIER is set to 1 when the TGF flag in TSR is set to 1 by the occurrence of a TGR input capture/compare match on a particular channel. The interrupt request is cleared by clearing the TGF flag to 0. The TPU has 16 input capture/compare match interrupts, four each for channels 0 and 3, and two each for channels 1, 2, 4, and 5.

**Overflow Interrupt:** An interrupt is requested if the TCIEV bit in TIER is set to 1 when the TCFV flag in TSR is set to 1 by the occurrence of TCNT overflow on a channel. The interrupt request is cleared by clearing the TCFV flag to 0. The TPU has six overflow interrupts, one for each channel.

**Underflow Interrupt:** An interrupt is requested if the TCIEU bit in TIER is set to 1 when the TCFU flag in TSR is set to 1 by the occurrence of TCNT underflow on a channel. The interrupt request is cleared by clearing the TCFU flag to 0. The TPU has four underflow interrupts, one each for channels 1, 2, 4, and 5.

### 10.5.2 DTC Activation

The DTC can be activated by the TGR input capture/compare match interrupt for a channel. For details, see section 8, Data Transfer Controller (DTC).

A total of 16 TPU input capture/compare match interrupts can be used as DTC activation sources, four each for channels 0 and 3, and two each for channels 1, 2, 4, and 5.

### 10.5.3 A/D Converter Activation

The A/D converter can be activated by the TGRA input capture/compare match for a channel.

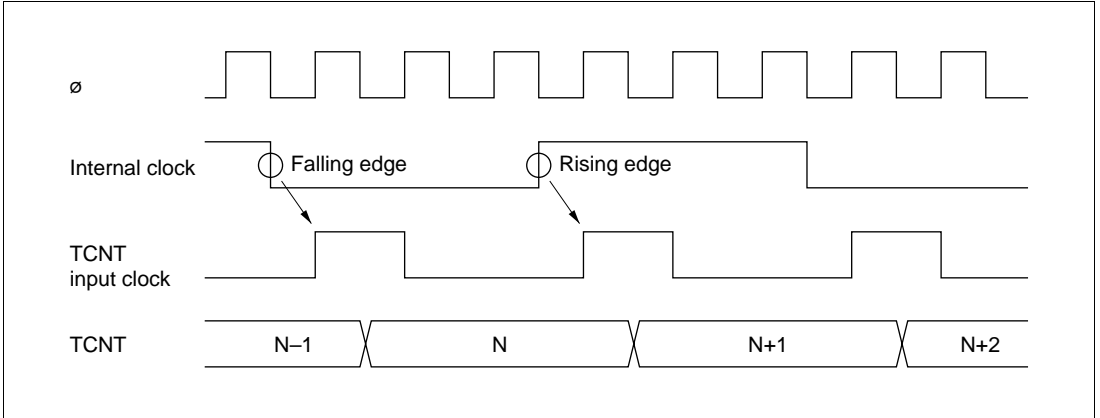
If the TTGE bit in TIER is set to 1 when the TGFA flag in TSR is set to 1 by the occurrence of a TGRA input capture/compare match on a particular channel, a request to start A/D conversion is sent to the A/D converter. If the TPU conversion start trigger has been selected on the A/D converter side at this time, A/D conversion is started.

In the TPU, a total of six TGRA input capture/compare match interrupts can be used as A/D converter conversion start sources, one for each channel.

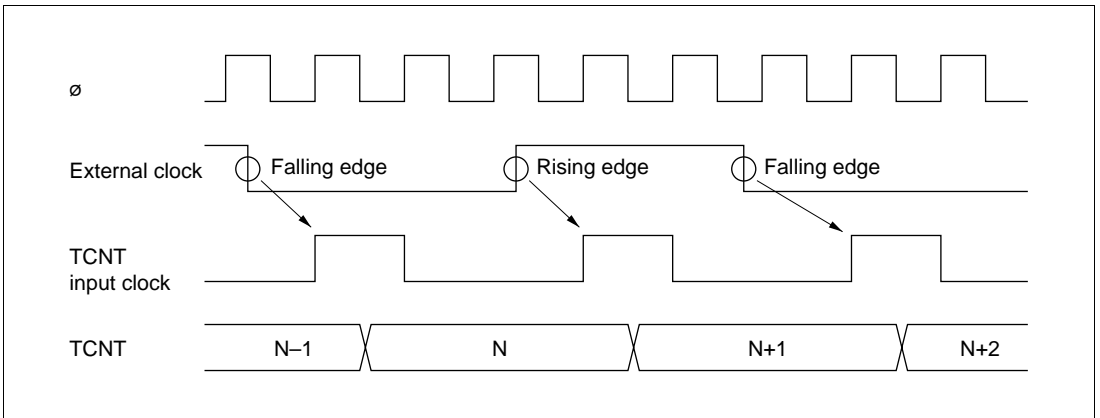
## 10.6 Operation Timing

### 10.6.1 Input/Output Timing

**TCNT Count Timing:** Figure 10-34 shows TCNT count timing in internal clock operation, and figure 10-35 shows TCNT count timing in external clock operation.



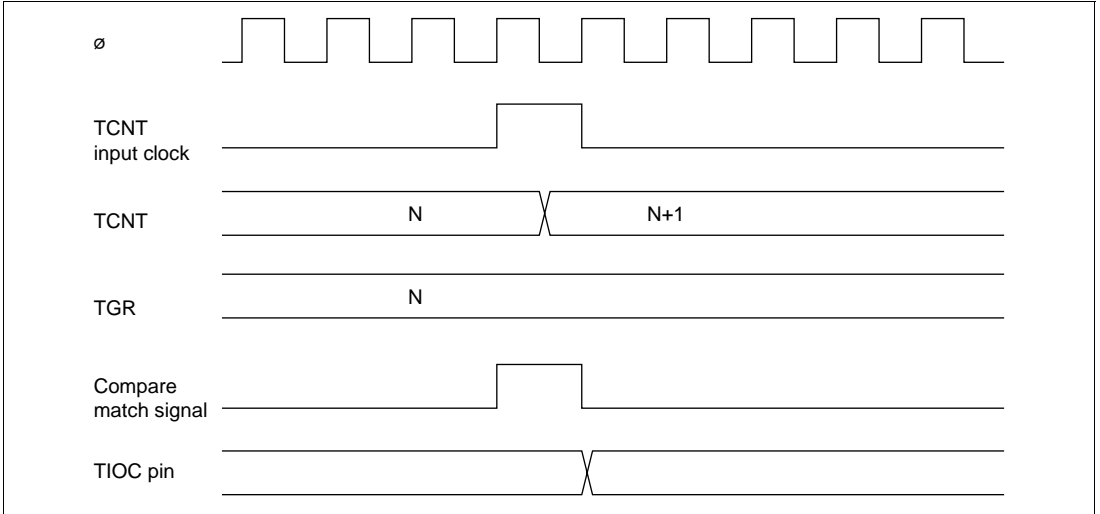
**Figure 10-34 Count Timing in Internal Clock Operation**



**Figure 10-35 Count Timing in External Clock Operation**

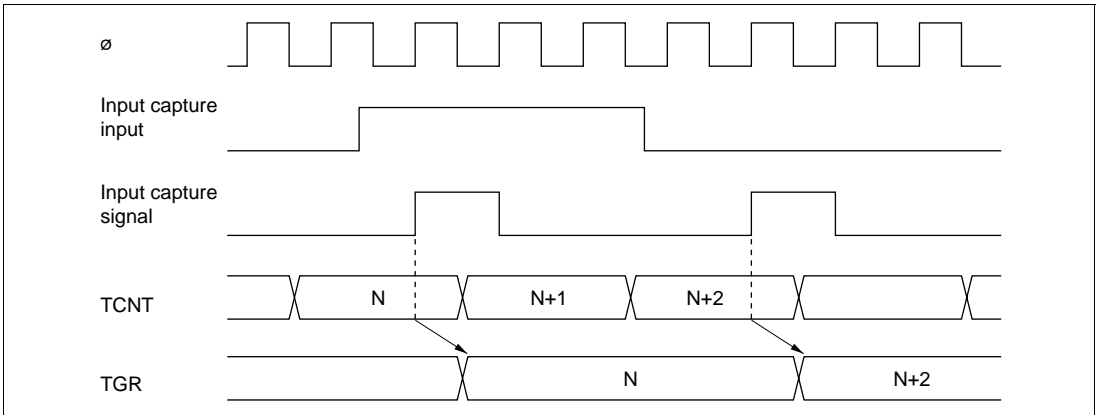
**Output Compare Output Timing:** A compare match signal is generated in the final state in which TCNT and TGR match (the point at which the count value matched by TCNT is updated). When a compare match signal is generated, the output value set in TIOR is output at the output compare output pin. After a match between TCNT and TGR, the compare match signal is not generated until the TCNT input clock is generated.

Figure 10-36 shows output compare output timing.



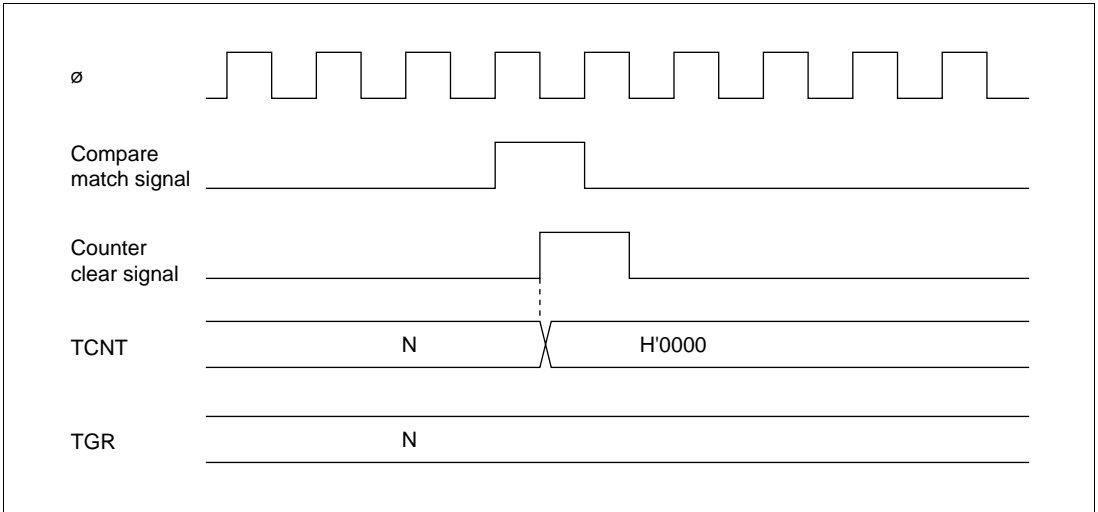
**Figure 10-36 Output Compare Output Timing**

**Input Capture Signal Timing:** Figure 10-37 shows input capture signal timing.

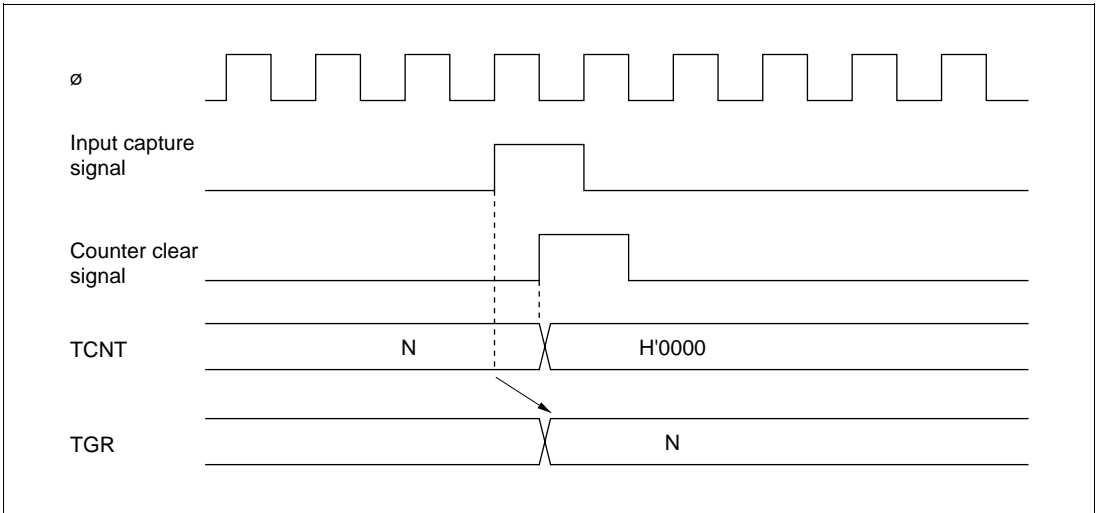


**Figure 10-37 Input Capture Input Signal Timing**

**Timing for Counter Clearing by Compare Match/Input Capture:** Figure 10-38 shows the timing when counter clearing by compare match occurrence is specified, and figure 10-39 shows the timing when counter clearing by input capture occurrence is specified.

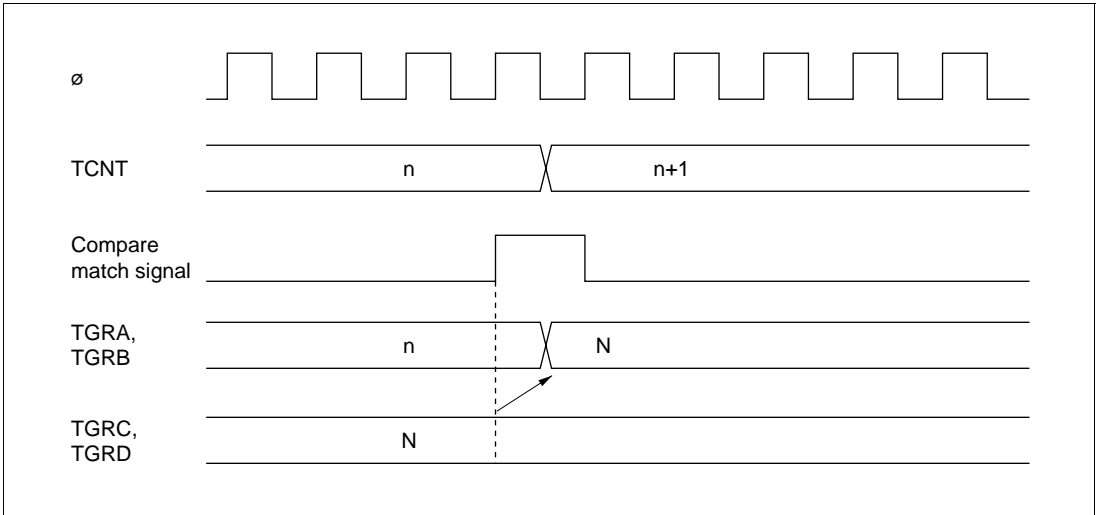


**Figure 10-38 Counter Clear Timing (Compare Match)**

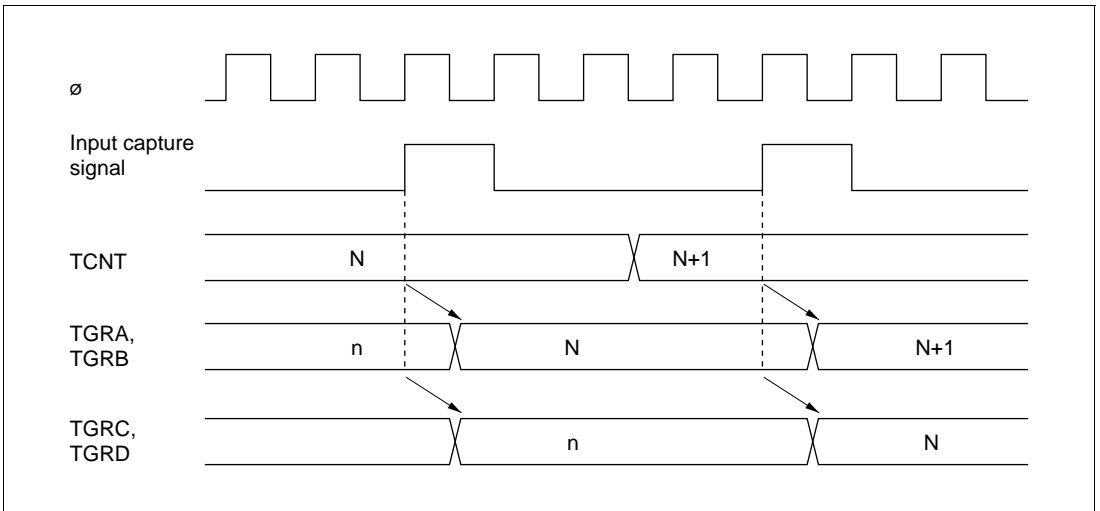


**Figure 10-39 Counter Clear Timing (Input Capture)**

**Buffer Operation Timing:** Figures 10-40 and 10-41 show the timing in buffer operation.



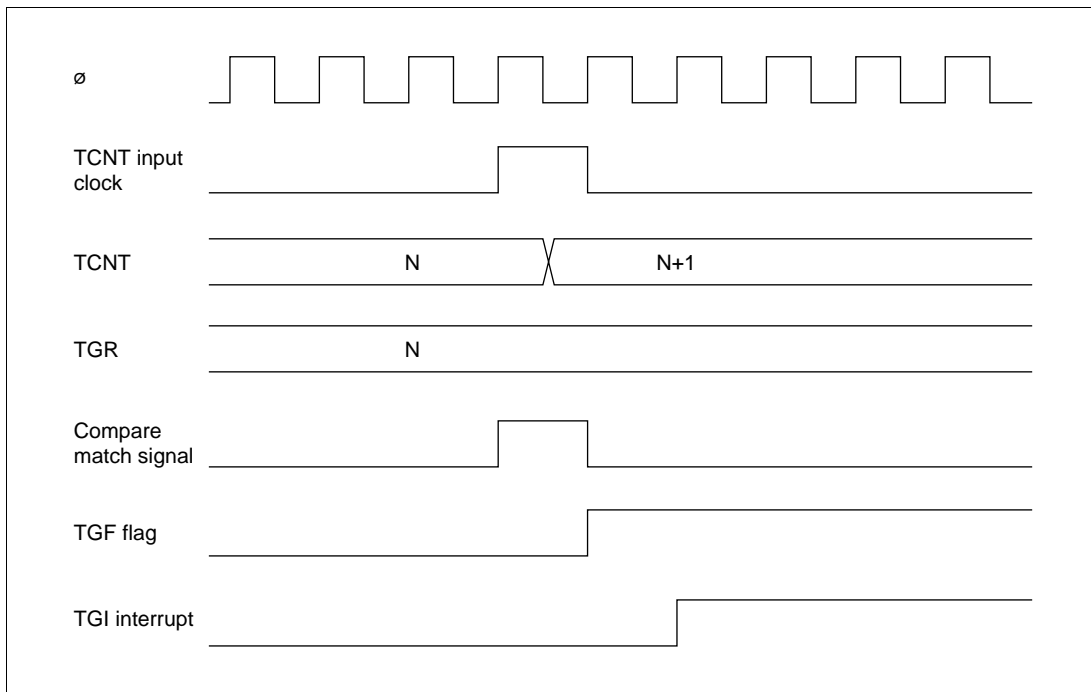
**Figure 10-40 Buffer Operation Timing (Compare Match)**



**Figure 10-41 Buffer Operation Timing (Input Capture)**

## 10.6.2 Interrupt Signal Timing

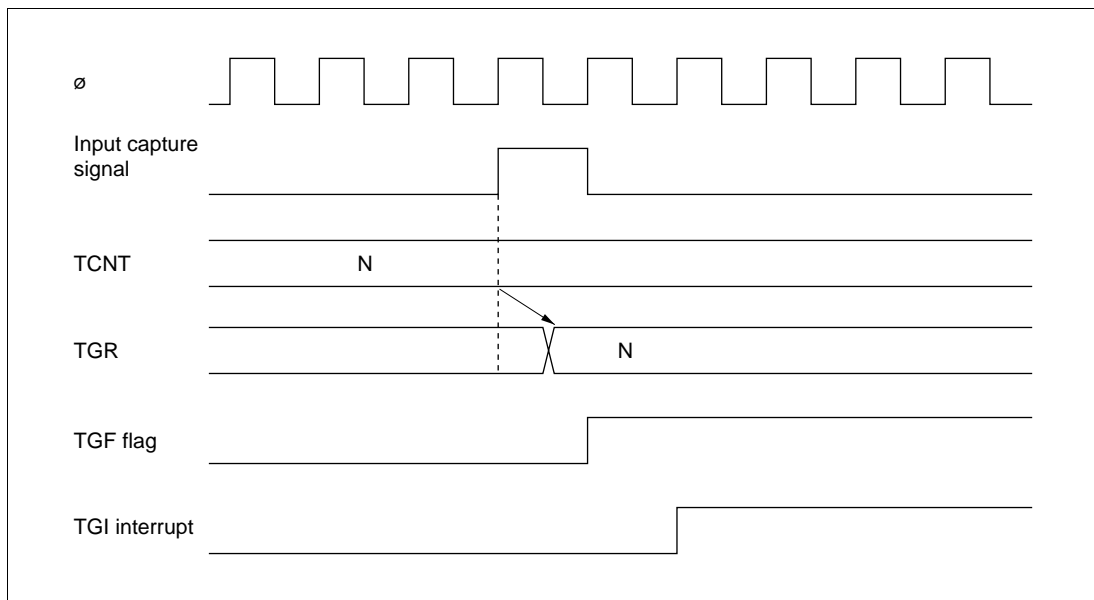
**TGF Flag Setting Timing in Case of Compare Match:** Figure 10-42 shows the timing for setting of the TGF flag in TSR by compare match occurrence, and TGI interrupt request signal timing.



**Figure 10-42 TGI Interrupt Timing (Compare Match)**



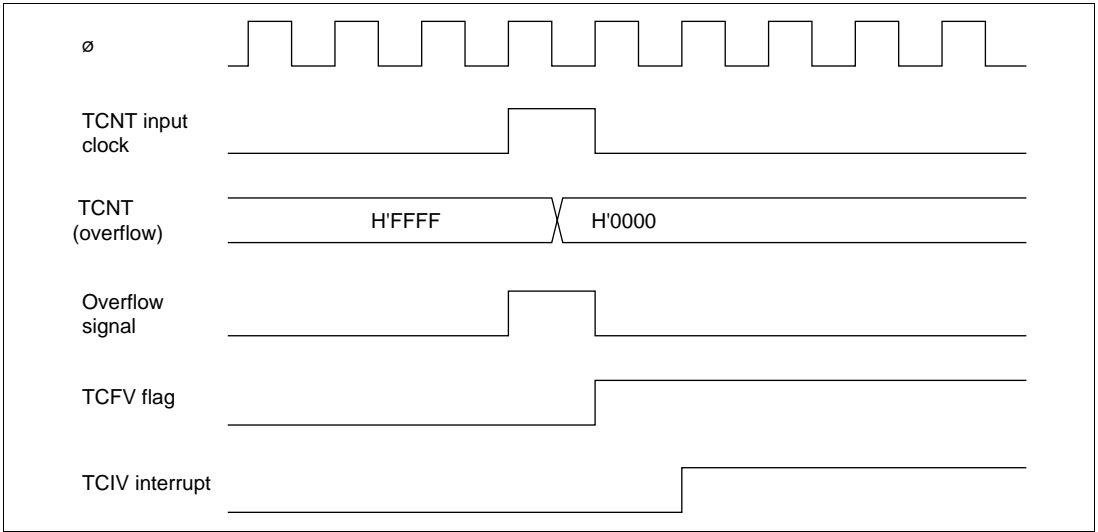
**TGF Flag Setting Timing in Case of Input Capture:** Figure 10-43 shows the timing for setting of the TGF flag in TSR by input capture occurrence, and TGI interrupt request signal timing.



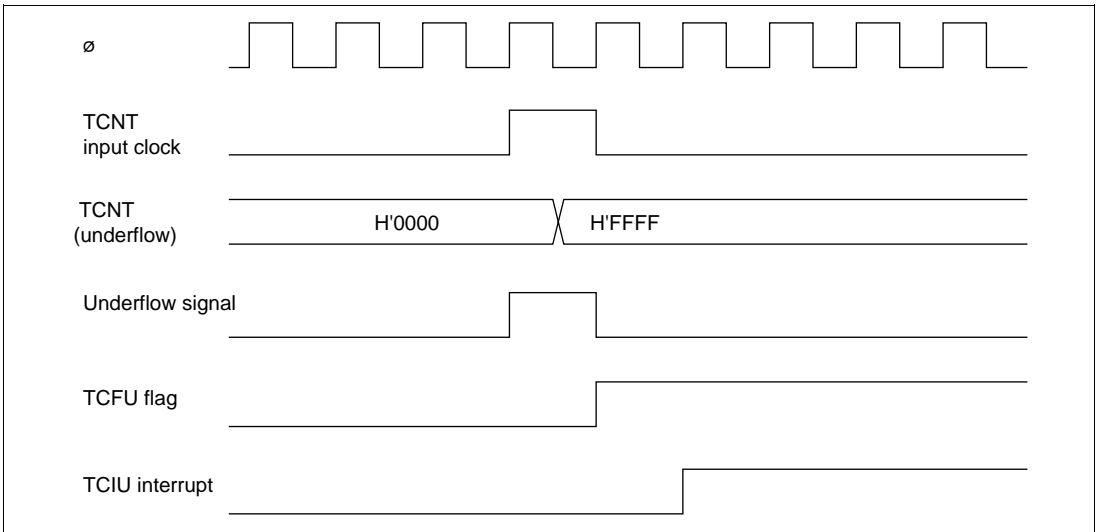
**Figure 10-43 TGI Interrupt Timing (Input Capture)**

**TCFV Flag/TCFU Flag Setting Timing:** Figure 10-44 shows the timing for setting of the TCFV flag in TSR by overflow occurrence, and TCIV interrupt request signal timing.

Figure 10-45 shows the timing for setting of the TCFU flag in TSR by underflow occurrence, and TCIU interrupt request signal timing.

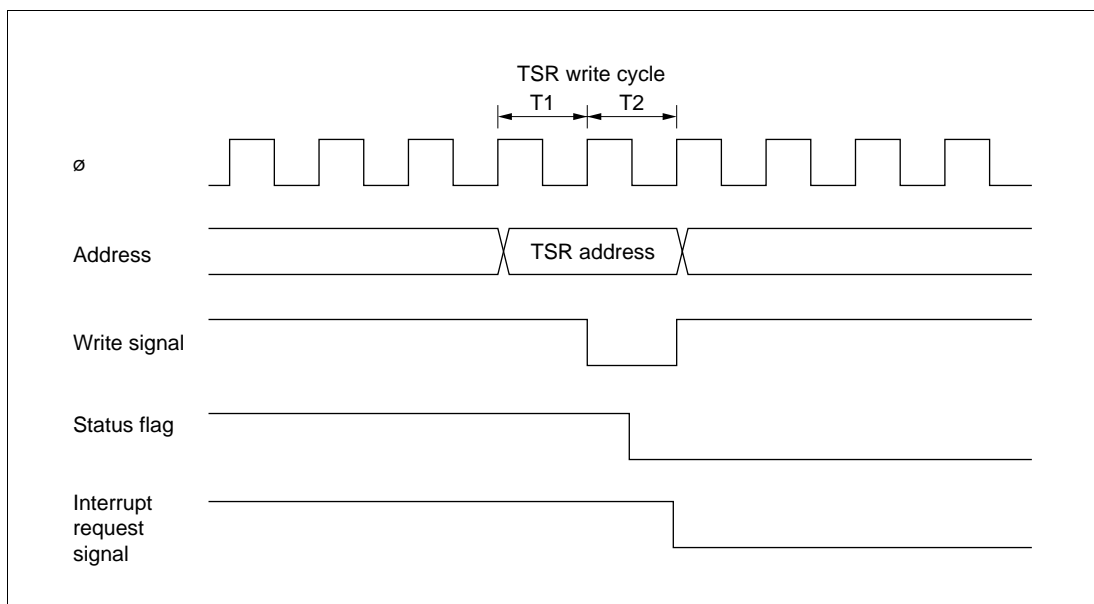


**Figure 10-44 TCIV Interrupt Setting Timing**

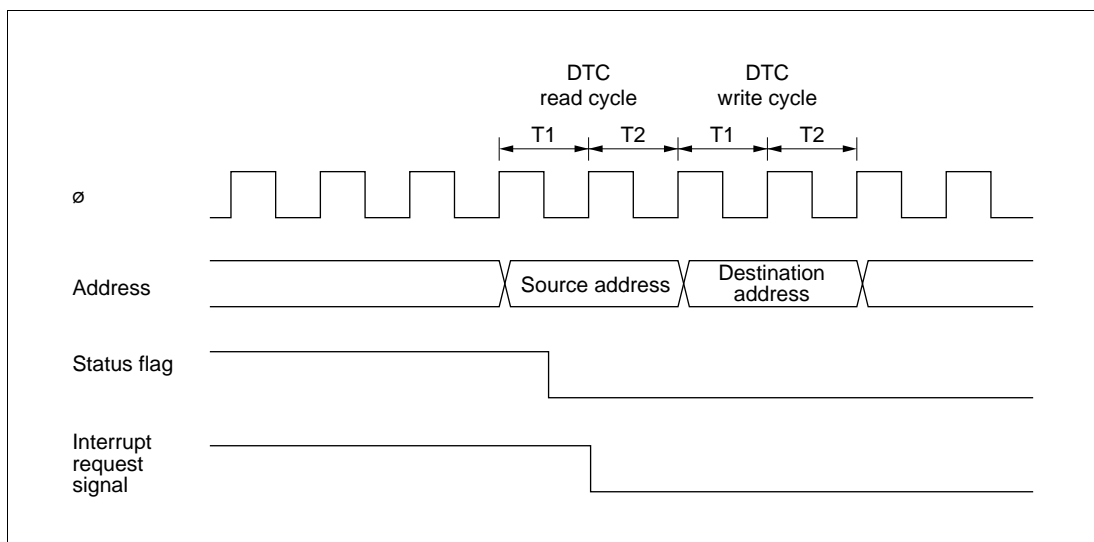


**Figure 10-45 TCIU Interrupt Setting Timing**

**Status Flag Clearing Timing:** After a status flag is read as 1 by the CPU, it is cleared by writing 0 to it. When the DTC is activated, the flag is cleared automatically. Figure 10-46 shows the timing for status flag clearing by the CPU, and figure 10-47 shows the timing for status flag clearing by the DTC.



**Figure 10-46 Timing for Status Flag Clearing by CPU**



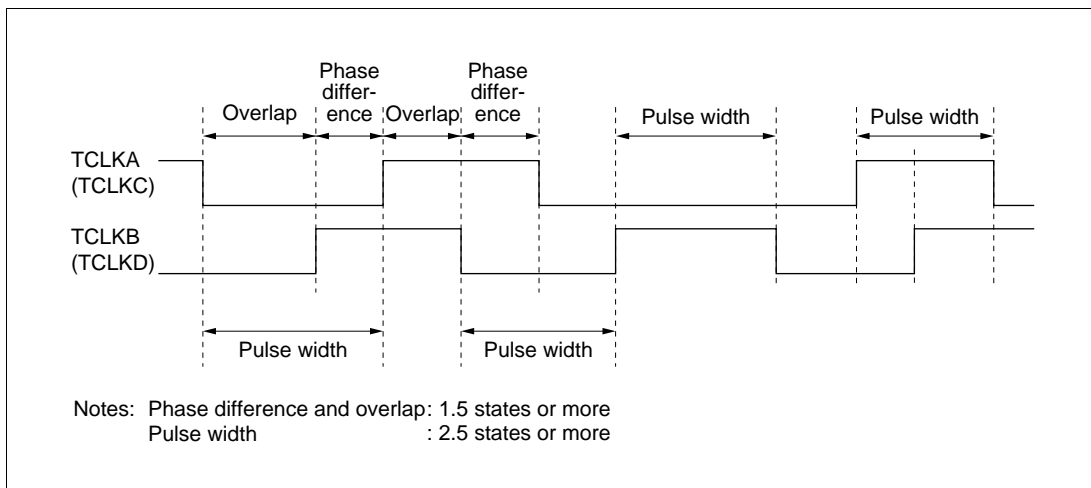
**Figure 10-47 Timing for Status Flag Clearing by DTC Activation**

## 10.7 Usage Notes

Note that the kinds of operation and contention described below occur during TPU operation.

**Input Clock Restrictions:** The input clock pulse width must be at least 1.5 states in the case of single-edge detection, and at least 2.5 states in the case of both-edge detection. The TPU will not operate properly with a narrower pulse width.

In phase counting mode, the phase difference and overlap between the two input clocks must be at least 1.5 states, and the pulse width must be at least 2.5 states. Figure 10-48 shows the input clock conditions in phase counting mode.



**Figure 10-48 Phase Difference, Overlap, and Pulse Width in Phase Counting Mode**

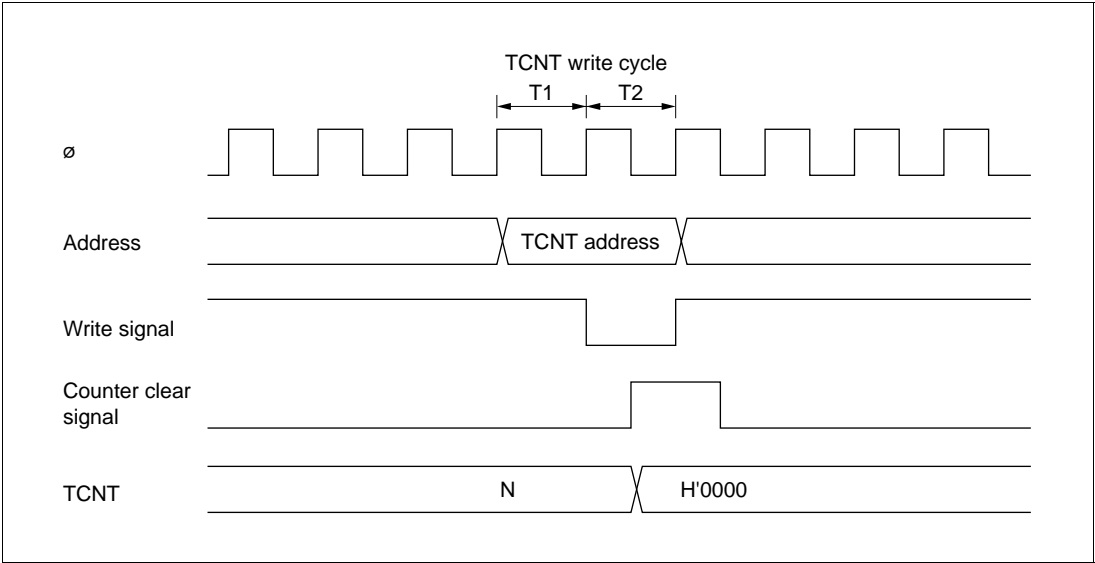
**Caution on Period Setting:** When counter clearing by compare match is set, TCNT is cleared in the final state in which it matches the TGR value (the point at which the count value matched by TCNT is updated). Consequently, the actual counter frequency is given by the following formula:

$$f = \frac{\phi}{(N + 1)}$$

Where  $f$  : Counter frequency  
 $\phi$  : Operating frequency  
 $N$  : TGR set value

**Contention between TCNT Write and Clear Operations:** If the counter clear signal is generated in the T2 state of a TCNT write cycle, TCNT clearing takes precedence and the TCNT write is not performed.

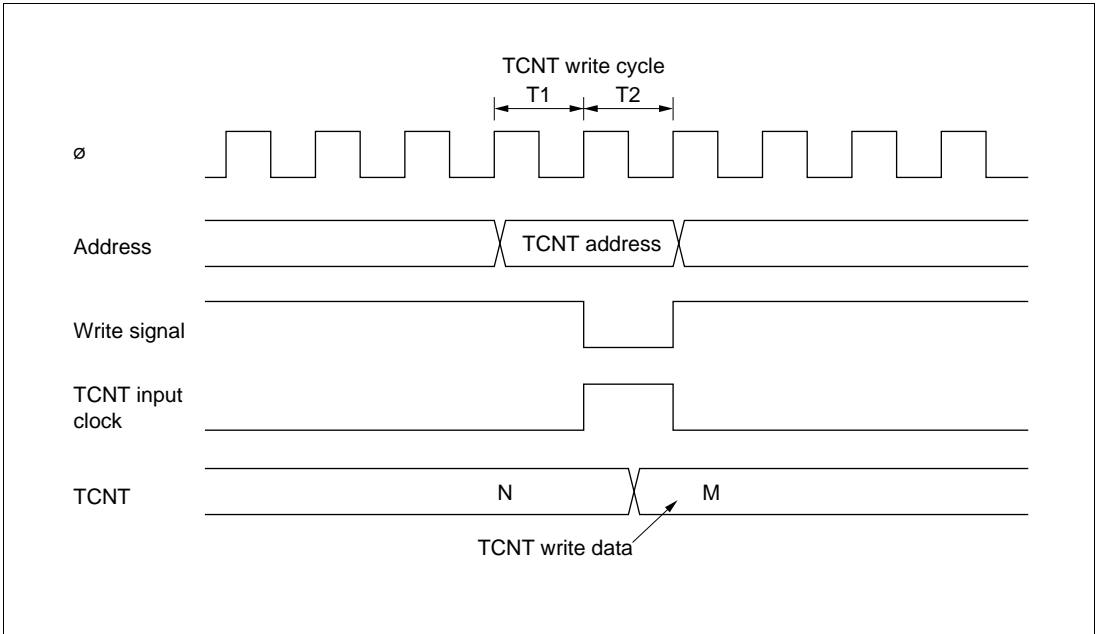
Figure 10-49 shows the timing in this case.



**Figure 10-49** Contention between TCNT Write and Clear Operations

**Contention between TCNT Write and Increment Operations:** If incrementing occurs in the T2 state of a TCNT write cycle, the TCNT write takes precedence and TCNT is not incremented.

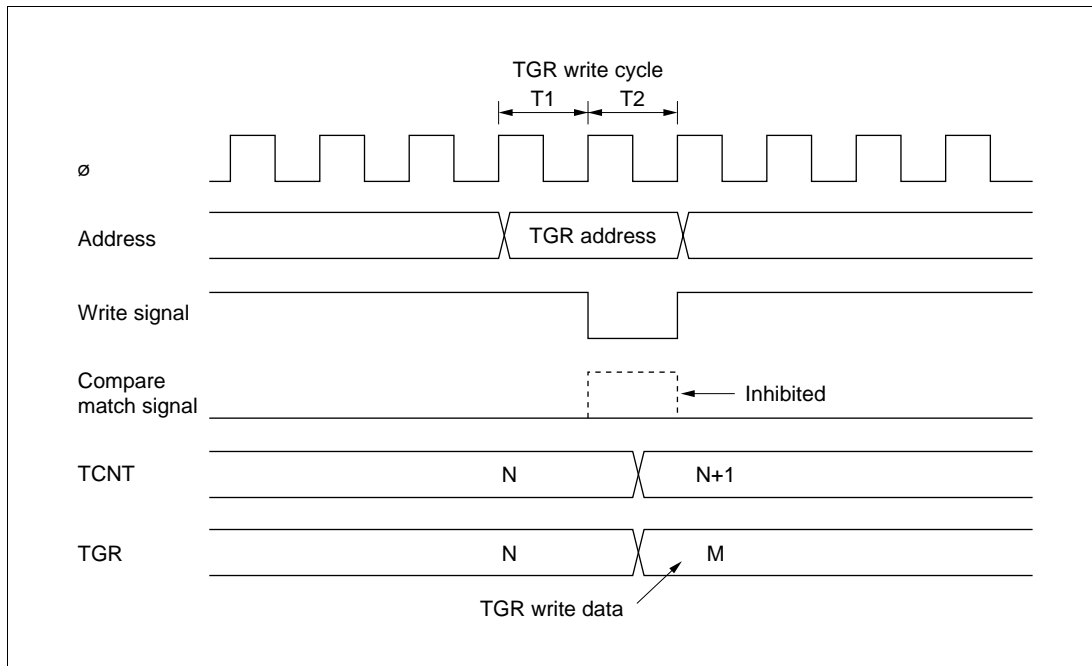
Figure 10-50 shows the timing in this case.



**Figure 10-50 Contention between TCNT Write and Increment Operations**

**Contention between TGR Write and Compare Match:** If a compare match occurs in the T2 state of a TGR write cycle, the TGR write takes precedence and the compare match signal is inhibited. A compare match does not occur even if the same value as before is written.

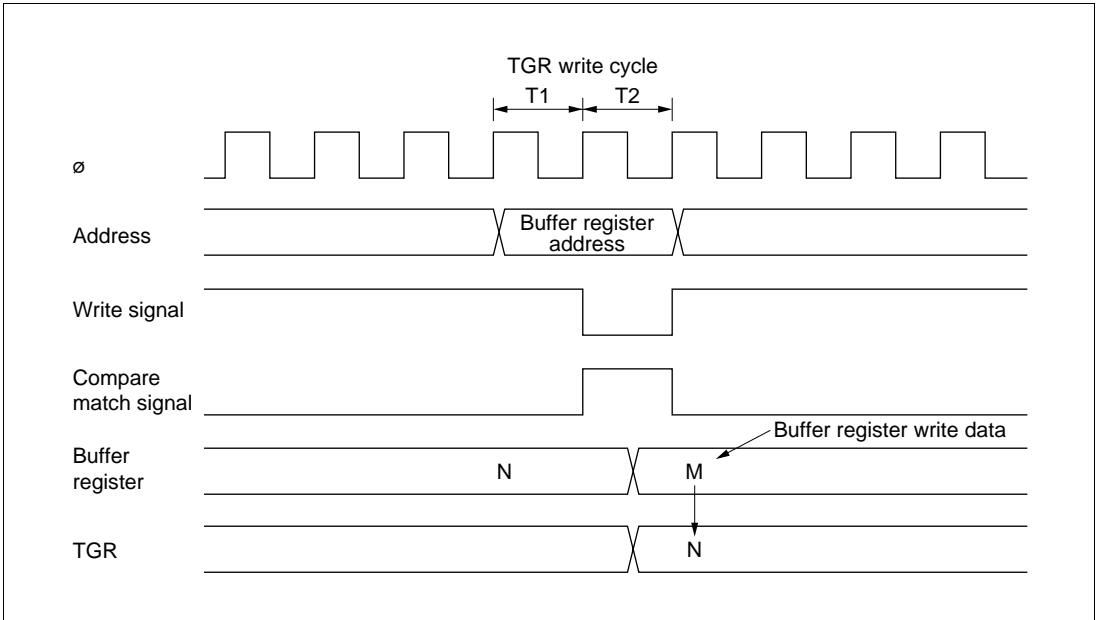
Figure 10-51 shows the timing in this case.



**Figure 10-51 Contention between TGR Write and Compare Match**

**Contention between Buffer Register Write and Compare Match:** If a compare match occurs in the T2 state of a TGR write cycle, the data transferred to TGR by the buffer operation will be the data prior to the write.

Figure 10-52 shows the timing in this case.

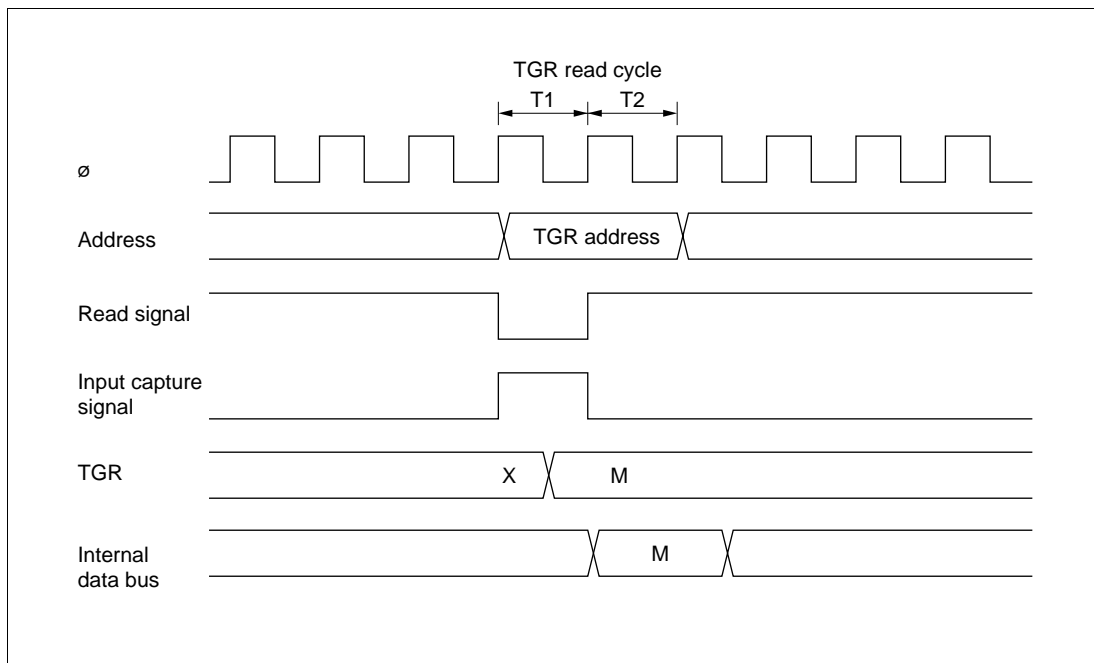


**Figure 10-52 Contention between Buffer Register Write and Compare Match**



**Contention between TGR Read and Input Capture:** If the input capture signal is generated in the T1 state of a TGR read cycle, the data that is read will be the data after input capture transfer.

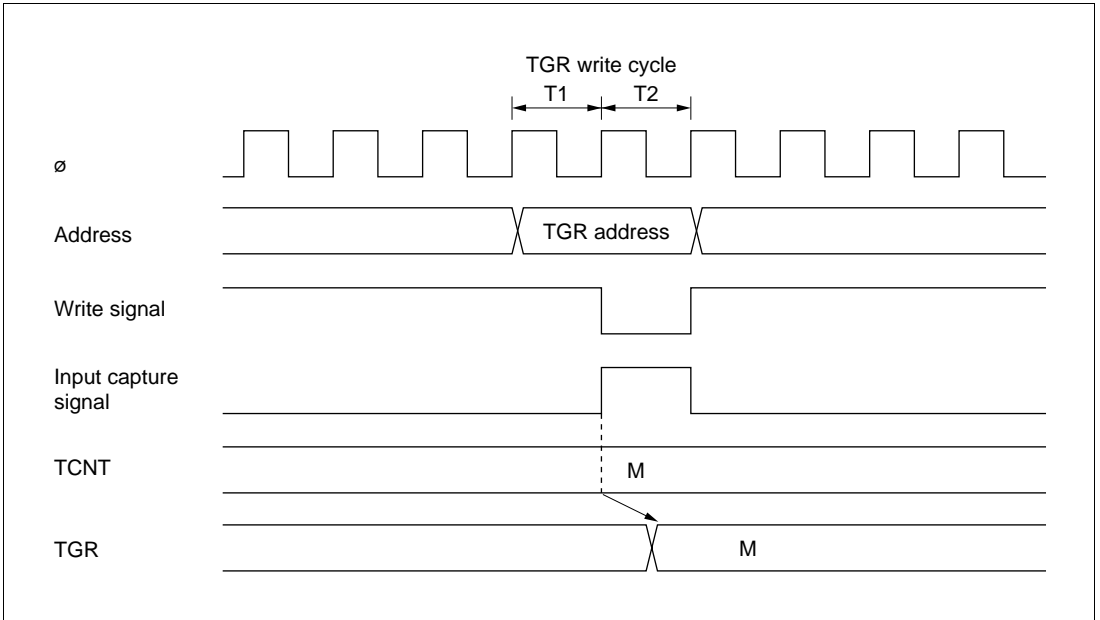
Figure 10-53 shows the timing in this case.



**Figure 10-53 Contention between TGR Read and Input Capture**

**Contention between TGR Write and Input Capture:** If the input capture signal is generated in the T2 state of a TGR write cycle, the input capture operation takes precedence and the write to TGR is not performed.

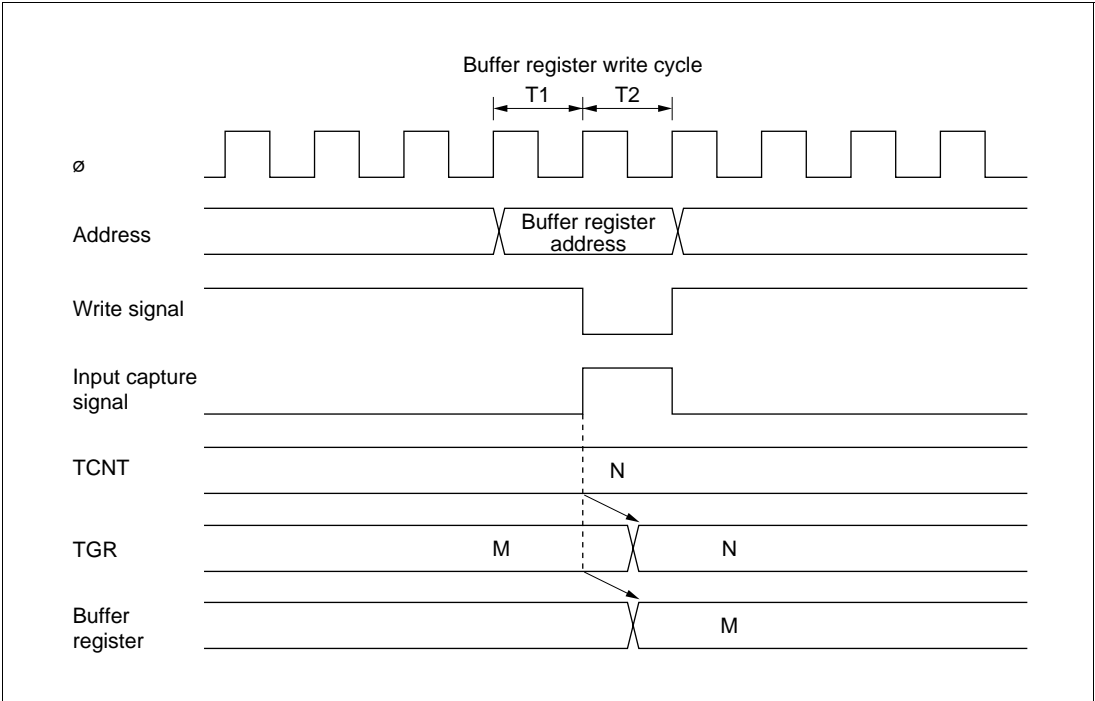
Figure 10-54 shows the timing in this case.



**Figure 10-54 Contention between TGR Write and Input Capture**

**Contention between Buffer Register Write and Input Capture:** If the input capture signal is generated in the T2 state of a buffer write cycle, the buffer operation takes precedence and the write to the buffer register is not performed.

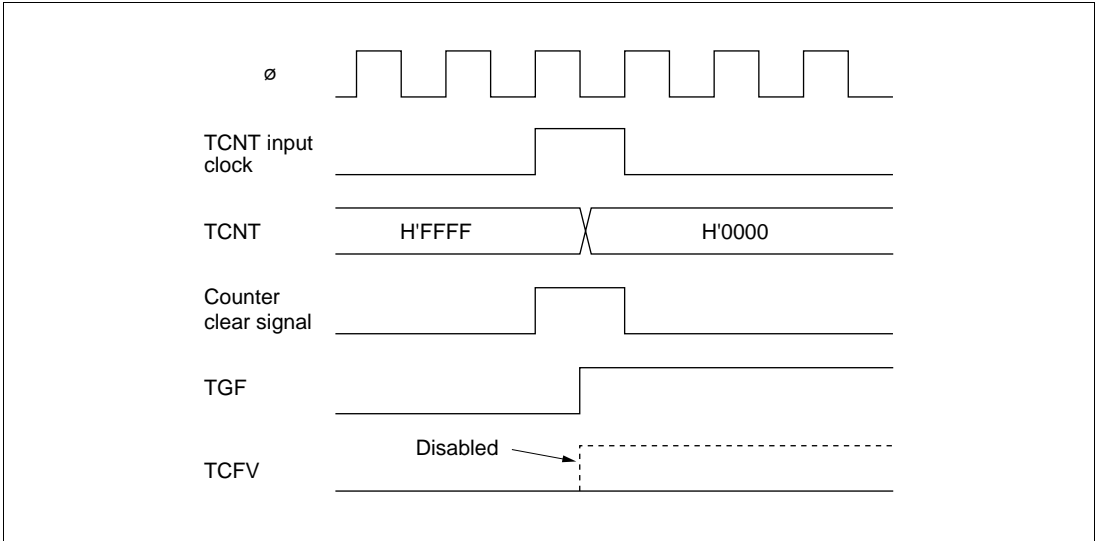
Figure 10-55 shows the timing in this case.



**Figure 10-55 Contention between Buffer Register Write and Input Capture**

**Contention between Overflow/Underflow and Counter Clearing:** If overflow/underflow and counter clearing occur simultaneously, the TCFV/TCFU flag in TSR is not set and TCNT clearing takes precedence.

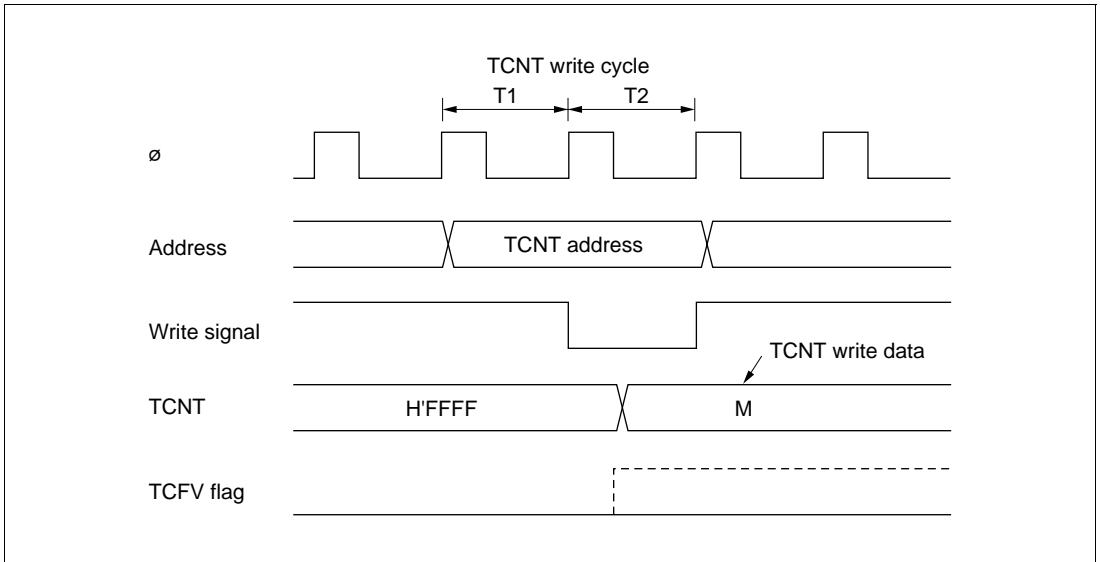
Figure 10-56 shows the operation timing when a TGR compare match is specified as the clearing source, and H'FFFF is set in TGR.



**Figure 10-56 Contention between Overflow and Counter Clearing**

**Contention between TCNT Write and Overflow/Underflow:** If there is an up-count or down-count in the T2 state of a TCNT write cycle, and overflow/underflow occurs, the TCNT write takes precedence and the TCFV/TCFU flag in TSR is not set.

Figure 10-57 shows the operation timing when there is contention between TCNT write and overflow.



**Figure 10-57 Contention between TCNT Write and Overflow**

**Multiplexing of I/O Pins:** In the H8S/2626 Series and H8S/2623 Series, the TCLKA input pin is multiplexed with the TIOCC0 I/O pin, the TCLKB input pin with the TIOCD0 I/O pin, the TCLKC input pin with the TIOCB1 I/O pin, and the TCLKD input pin with the TIOCB2 I/O pin. When an external clock is input, compare match output should not be performed from a multiplexed pin.

**Interrupts and Module Stop Mode:** If module stop mode is entered when an interrupt has been requested, it will not be possible to clear the CPU interrupt source or the DTC activation source. Interrupts should therefore be disabled before entering module stop mode.



# Section 11 Programmable Pulse Generator (PPG)

## 11.1 Overview

The H8S/2626 Series and H8S/2623 Series have an on-chip programmable pulse generator (PPG) that provides pulse outputs by using the 16-bit timer pulse unit (TPU) as a time base. The PPG pulse outputs are divided into 4-bit groups (group 3 and group 2) that can operate both simultaneously and independently.

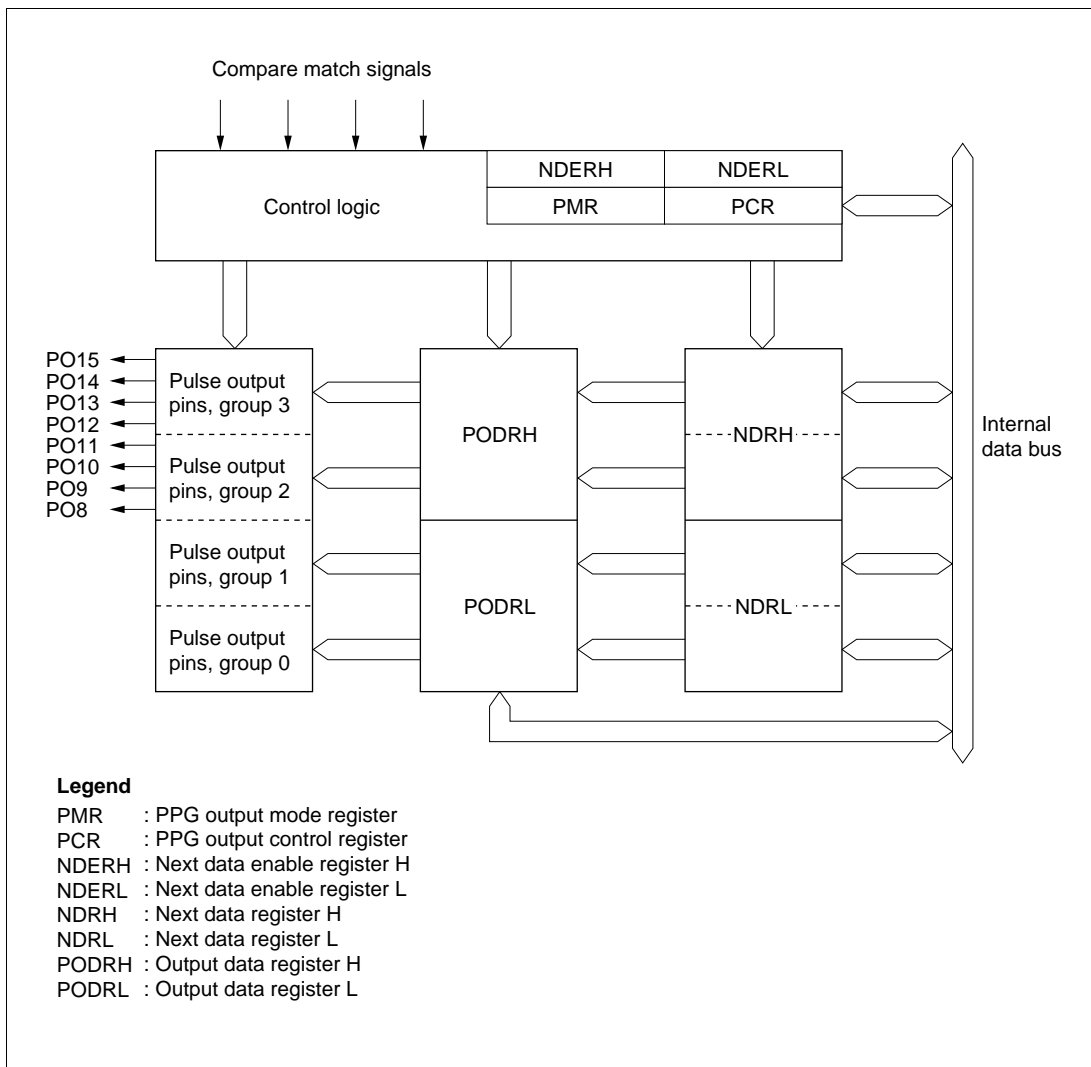
### 11.1.1 Features

PPG features are listed below.

- 8-bit output data
  - Maximum 8-bit data can be output, and output can be enabled on a bit-by-bit basis
- Two output groups
  - Output trigger signals can be selected in 4-bit groups to provide up to two different 4-bit outputs
- Selectable output trigger signals
  - Output trigger signals can be selected for each group from the compare match signals of four TPU channels
- Non-overlap mode
  - A non-overlap margin can be provided between pulse outputs
- Can operate together with the data transfer controller (DTC)
  - The compare match signals selected as output trigger signals can activate the DTC for sequential output of data without CPU intervention
- Settable inverted output
  - Inverted data can be output for each group
- Module stop mode can be set
  - As the initial setting, PPG operation is halted. Register access is enabled by exiting module stop mode

## 11.1.2 Block Diagram

Figure 11-1 shows a block diagram of the PPG.



**Figure 11-1 Block Diagram of PPG**



### 11.1.3 Pin Configuration

Table 11-1 summarizes the PPG pins.

**Table 11-1 PPG Pins**

<b>Name</b>	<b>Symbol</b>	<b>I/O</b>	<b>Function</b>
Pulse output 8	PO8	Output	Group 2 pulse output
Pulse output 9	PO9	Output	
Pulse output 10	PO10	Output	
Pulse output 11	PO11	Output	Group 3 pulse output
Pulse output 12	PO12	Output	
Pulse output 13	PO13	Output	
Pulse output 14	PO14	Output	
Pulse output 15	PO15	Output	

## 11.1.4 Registers

Table 11-2 summarizes the PPG registers.

**Table 11-2 PPG Registers**

Name	Abbreviation	R/W	Initial Value	Address* <sup>1</sup>
PPG output control register	PCR	R/W	H'FF	H'FE26
PPG output mode register	PMR	R/W	H'F0	H'FE27
Next data enable register H	NDERH	R/W	H'00	H'FE28
Next data enable register L* <sup>4</sup>	NDERL	R/W	H'00	H'FE29
Output data register H	PODRH	R/(W)* <sup>2</sup>	H'00	H'FE2A
Output data register L* <sup>4</sup>	PODRL	R/(W)* <sup>2</sup>	H'00	H'FE2B
Next data register H	NDRH	R/W	H'00	H'FE2C* <sup>3</sup> H'FE2E
Next data register L* <sup>4</sup>	NDRL	R/W	H'00	H'FE2D* <sup>3</sup> H'FE2F
Port 1 data direction register	P1DDR	W	H'00	H'FE30
Module stop control register A	MSTPCRA	R/W	H'3F	H'FDE8

Notes: \*1 Lower 16 bits of the address.

\*2 Bits used for pulse output cannot be written to.

\*3 When the same output trigger is selected for pulse output groups 2 and 3 by the PCR setting, the NDRH address is H'FE2C. When the output triggers are different, the NDRH address is H'FE2E for group 2 and H'FE2C for group 3  
Similarly, when the same output trigger is selected for pulse output groups 0 and 1 by the PCR setting, the NDRL address is H'FE2D. When the output triggers are different, the NDRL address is H'FE2F for group 0 and H'FE2D for group 1.

\*4 The H8S/2626 Series and H8S/2623 Series have no pins corresponding to PODRL (pulse output groups 0 and 1).

## 11.2 Register Descriptions

### 11.2.1 Next Data Enable Registers H and L (NDERH, NDERL)

#### NDERH

Bit	:	7	6	5	4	3	2	1	0
		NDER15	NDER14	NDER13	NDER12	NDER11	NDER10	NDER9	NDER8
Initial value :		0	0	0	0	0	0	0	0
R/W	:	R/W	R/W	R/W	R/W	R/W	R/W	R/W	R/W

#### NDERL

Bit	:	7	6	5	4	3	2	1	0
		NDER7	NDER6	NDER5	NDER4	NDER3	NDER2	NDER1	NDER0
Initial value :		0	0	0	0	0	0	0	0
R/W	:	R/W	R/W	R/W	R/W	R/W	R/W	R/W	R/W

NDERH and NDERL are 8-bit readable/writable registers that enable or disable pulse output on a bit-by-bit basis.

If a bit is enabled for pulse output by NDERH or NDERL, the NDR value is automatically transferred to the corresponding PODR bit when the TPU compare match event specified by PCR occurs, updating the output value. If pulse output is disabled, the bit value is not transferred from NDR to PODR and the output value does not change.

NDERH and NDERL are each initialized to H'00 by a reset and in hardware standby mode. They are not initialized in software standby mode.

**NDERH Bits 7 to 0—Next Data Enable 15 to 8 (NDER15 to NDER8):** These bits enable or disable pulse output on a bit-by-bit basis.

#### Bits 7 to 0

##### NDER15 to NDER8

##### Description

0	Pulse outputs PO15 to PO8 are disabled (NDR15 to NDR8 are not transferred to POD15 to POD8) (Initial value)
1	Pulse outputs PO15 to PO8 are enabled (NDR15 to NDR8 are transferred to POD15 to POD8)

**NDERL Bits 7 to 0—Next Data Enable 7 to 0 (NDER7 to NDER0):** These bits enable or disable pulse output on a bit-by-bit basis.

**Bits 7 to 0**

<b>NDER7 to NDER0</b>	<b>Description</b>
0	Pulse outputs PO7 to PO0 are disabled (NDR7 to NDR0 are not transferred to POD7 to POD0) (Initial value)
1	Pulse outputs PO7 to PO0 are enabled (NDR7 to NDR0 are transferred to POD7 to POD0)

**11.2.2 Output Data Registers H and L (PODRH, PODRL)**

**PODRH**

Bit	:	7	6	5	4	3	2	1	0
		POD15	POD14	POD13	POD12	POD11	POD10	POD9	POD8
Initial value :		0	0	0	0	0	0	0	0
R/W	:	R/(W)*	R/(W)*	R/(W)*	R/(W)*	R/(W)*	R/(W)*	R/(W)*	R/(W)*

**PODRL**

Bit	:	7	6	5	4	3	2	1	0
		POD7	POD6	POD5	POD4	POD3	POD2	POD1	POD0
Initial value :		0	0	0	0	0	0	0	0
R/W	:	R/(W)*	R/(W)*	R/(W)*	R/(W)*	R/(W)*	R/(W)*	R/(W)*	R/(W)*

Note: \* A bit that has been set for pulse output by NDER is read-only.

PODRH and PODRL are 8-bit readable/writable registers that store output data for use in pulse output. However, the H8S/2626 Series and H8S/2623 Series have no pins corresponding to PODRL.

### 11.2.3 Next Data Registers H and L (NDRH, NDRL)

NDRH and NDRL are 8-bit readable/writable registers that store the next data for pulse output. During pulse output, the contents of NDRH and NDRL are transferred to the corresponding bits in PODRH and PODRL when the TPU compare match event specified by PCR occurs. The NDRH and NDRL addresses differ depending on whether pulse output groups have the same output trigger or different output triggers. For details see section 11.2.4, Notes on NDR Access.

NDRH and NDRL are each initialized to H'00 by a reset and in hardware standby mode. They are not initialized in software standby mode.

### 11.2.4 Notes on NDR Access

The NDRH and NDRL addresses differ depending on whether pulse output groups have the same output trigger or different output triggers.

**Same Trigger for Pulse Output Groups:** If pulse output groups 2 and 3 are triggered by the same compare match event, the NDRH address is H'FE2C. The upper 4 bits belong to group 3 and the lower 4 bits to group 2. Address H'FE2E consists entirely of reserved bits that cannot be modified and are always read as 1.

#### Address H'FE2C

Bit	:	7	6	5	4	3	2	1	0
		NDR15	NDR14	NDR13	NDR12	NDR11	NDR10	NDR9	NDR8
Initial value :		0	0	0	0	0	0	0	0
R/W	:	R/W	R/W	R/W	R/W	R/W	R/W	R/W	R/W

#### Address H'FE2E

Bit	:	7	6	5	4	3	2	1	0
		—	—	—	—	—	—	—	—
Initial value :		1	1	1	1	1	1	1	1
R/W	:	—	—	—	—	—	—	—	—

If pulse output groups 0 and 1 are triggered by the same compare match event, the NDRL address is H'FE2D. The upper 4 bits belong to group 1 and the lower 4 bits to group 0. Address H'FE2F consists entirely of reserved bits that cannot be modified and are always read as 1. However, the H8S/2626 Series and H8S/2623 Series have no output pins corresponding to pulse output groups 0 and 1.

### Address H'FE2D

Bit	:	7	6	5	4	3	2	1	0
		NDR7	NDR6	NDR5	NDR4	NDR3	NDR2	NDR1	NDR0
Initial value :		0	0	0	0	0	0	0	0
R/W	:	R/W	R/W	R/W	R/W	R/W	R/W	R/W	R/W

### Address H'FE2F

Bit	:	7	6	5	4	3	2	1	0
		—	—	—	—	—	—	—	—
Initial value :		1	1	1	1	1	1	1	1
R/W	:	—	—	—	—	—	—	—	—

**Different Triggers for Pulse Output Groups:** If pulse output groups 2 and 3 are triggered by different compare match events, the address of the upper 4 bits in NDRH (group 3) is H'FE2C and the address of the lower 4 bits (group 2) is H'FE2E. Bits 3 to 0 of address H'FE2C and bits 7 to 4 of address H'FE2E are reserved bits that cannot be modified and are always read as 1.

### Address H'FE2C

Bit	:	7	6	5	4	3	2	1	0
		NDR15	NDR14	NDR13	NDR12	—	—	—	—
Initial value :		0	0	0	0	1	1	1	1
R/W	:	R/W	R/W	R/W	R/W	—	—	—	—

### Address H'FE2E

Bit	:	7	6	5	4	3	2	1	0
		—	—	—	—	NDR11	NDR10	NDR9	NDR8
Initial value :		1	1	1	1	0	0	0	0
R/W	:	—	—	—	—	R/W	R/W	R/W	R/W

If pulse output groups 0 and 1 are triggered by different compare match event, the address of the upper 4 bits in NDRL (group 1) is H'FE2D and the address of the lower 4 bits (group 0) is H'FE2F. Bits 3 to 0 of address H'FE2D and bits 7 to 4 of address H'FE2F are reserved bits that cannot be modified and are always read as 1. However, the H8S/2626 Series and H8S/2623 Series have no output pins corresponding to pulse output groups 0 and 1.

## Address H'FE2D

Bit	:	7	6	5	4	3	2	1	0
		NDR7	NDR6	NDR5	NDR4	—	—	—	—
Initial value :		0	0	0	0	1	1	1	1
R/W	:	R/W	R/W	R/W	R/W	—	—	—	—

## Address H'FE2F

Bit	:	7	6	5	4	3	2	1	0
		—	—	—	—	NDR3	NDR2	NDR1	NDR0
Initial value :		1	1	1	1	0	0	0	0
R/W	:	—	—	—	—	R/W	R/W	R/W	R/W

### 11.2.5 PPG Output Control Register (PCR)

Bit	:	7	6	5	4	3	2	1	0
		G3CMS1	G3CMS0	G2CMS1	G2CMS0	G1CMS1	G1CMS0	G0CMS1	G0CMS0
Initial value :		1	1	1	1	1	1	1	1
R/W	:	R/W	R/W	R/W	R/W	R/W	R/W	R/W	R/W

PCR is an 8-bit readable/writable register that selects output trigger signals for PPG outputs on a group-by-group basis.

PCR is initialized to H'FF by a reset and in hardware standby mode. It is not initialized in software standby mode.

**Bits 7 and 6—Group 3 Compare Match Select 1 and 0 (G3CMS1, G3CMS0):** These bits select the compare match that triggers pulse output group 3 (pins PO15 to PO12).

		Description
Bit 7 G3CMS1	Bit 6 G3CMS0	Output Trigger for Pulse Output Group 3
0	0	Compare match in TPU channel 0
	1	Compare match in TPU channel 1
1	0	Compare match in TPU channel 2
	1	Compare match in TPU channel 3 (Initial value)

**Bits 5 and 4—Group 2 Compare Match Select 1 and 0 (G2CMS1, G2CMS0):** These bits select the compare match that triggers pulse output group 2 (pins PO11 to PO8).

		Description
Bit 5 G2CMS1	Bit 4 G2CMS0	Output Trigger for Pulse Output Group 2
0	0	Compare match in TPU channel 0
	1	Compare match in TPU channel 1
1	0	Compare match in TPU channel 2
	1	Compare match in TPU channel 3 (Initial value)

**Bits 3 and 2—Group 1 Compare Match Select 1 and 0 (G1CMS1, G1CMS0):** These bits select the compare match that triggers pulse output group 1 (pins PO7 to PO4). However, the H8S/2626 Series and H8S/2623 Series have no output pins corresponding to pulse output group 1.

		Description
Bit 3 G1CMS1	Bit 2 G1CMS0	Output Trigger for Pulse Output Group 1
0	0	Compare match in TPU channel 0
	1	Compare match in TPU channel 1
1	0	Compare match in TPU channel 2
	1	Compare match in TPU channel 3 (Initial value)

**Bits 1 and 0—Group 0 Compare Match Select 1 and 0 (G0CMS1, G0CMS0):** These bits select the compare match that triggers pulse output group 0 (pins PO3 to PO0). However, the H8S/2626 Series and H8S/2623 Series have no output pins corresponding to pulse output group 0.

		Description
Bit 1 G0CMS1	Bit 0 G0CMS0	Output Trigger for Pulse Output Group 0
0	0	Compare match in TPU channel 0
	1	Compare match in TPU channel 1
1	0	Compare match in TPU channel 2
	1	Compare match in TPU channel 3 (Initial value)



## 11.2.6 PPG Output Mode Register (PMR)

Bit	:	7	6	5	4	3	2	1	0
		G3INV	G2INV	G1INV	G0INV	G3NOV	G2NOV	G1NOV	G0NOV
Initial value :		1	1	1	1	0	0	0	0
R/W	:	R/W	R/W	R/W	R/W	R/W	R/W	R/W	R/W

PMR is an 8-bit readable/writable register that selects pulse output inversion and non-overlapping operation for each group.

The output trigger period of a non-overlapping operation PPG output waveform is set in TGRB and the non-overlap margin is set in TGRA. The output values change at compare match A and B.

For details, see section 11.3.4, Non-Overlapping Pulse Output.

PMR is initialized to H'F0 by a reset and in hardware standby mode. It is not initialized in software standby mode.

**Bit 7—Group 3 Inversion (G3INV):** Selects direct output or inverted output for pulse output group 3 (pins PO15 to PO12).

### Bit 7

G3INV	Description
0	Inverted output for pulse output group 3 (low-level output at pin for a 1 in PODRH)
1	Direct output for pulse output group 3 (high-level output at pin for a 1 in PODRH) (Initial value)

**Bit 6—Group 2 Inversion (G2INV):** Selects direct output or inverted output for pulse output group 2 (pins PO11 to PO8).

### Bit 6

G2INV	Description
0	Inverted output for pulse output group 2 (low-level output at pin for a 1 in PODRH)
1	Direct output for pulse output group 2 (high-level output at pin for a 1 in PODRH) (Initial value)

**Bit 5—Group 1 Inversion (G1INV):** Selects direct output or inverted output for pulse output group 1 (pins PO7 to PO4). However, the H8S/2626 Series and H8S/2623 Series have no pins corresponding to pulse output group 1.

**Bit 5**

<b>G1INV</b>	<b>Description</b>
0	Inverted output for pulse output group 1 (low-level output at pin for a 1 in PODRL)
1	Direct output for pulse output group 1 (high-level output at pin for a 1 in PODRL) (Initial value)

**Bit 4—Group 0 Inversion (G0INV):** Selects direct output or inverted output for pulse output group 0 (pins PO3 to PO0). However, the H8S/2626 Series and H8S/2623 Series have no pins corresponding to pulse output group 0.

**Bit 4**

<b>G0INV</b>	<b>Description</b>
0	Inverted output for pulse output group 0 (low-level output at pin for a 1 in PODRL)
1	Direct output for pulse output group 0 (high-level output at pin for a 1 in PODRL) (Initial value)

**Bit 3—Group 3 Non-Overlap (G3NOV):** Selects normal or non-overlapping operation for pulse output group 3 (pins PO15 to PO12).

**Bit 3**

<b>G3NOV</b>	<b>Description</b>
0	Normal operation in pulse output group 3 (output values updated at compare match A in the selected TPU channel) (Initial value)
1	Non-overlapping operation in pulse output group 3 (independent 1 and 0 output at compare match A or B in the selected TPU channel)

**Bit 2—Group 2 Non-Overlap (G2NOV):** Selects normal or non-overlapping operation for pulse output group 2 (pins PO11 to PO8).

**Bit 2**

<b>G2NOV</b>	<b>Description</b>
0	Normal operation in pulse output group 2 (output values updated at compare match A in the selected TPU channel) (Initial value)
1	Non-overlapping operation in pulse output group 2 (independent 1 and 0 output at compare match A or B in the selected TPU channel)

**Bit 1—Group 1 Non-Overlap (G1NOV):** Selects normal or non-overlapping operation for pulse output group 1 (pins PO7 to PO4). However, the H8S/2626 Series and H8S/2623 Series have no pins corresponding to pulse output group 1.

**Bit 1**

<b>G1NOV</b>	<b>Description</b>
0	Normal operation in pulse output group 1 (output values updated at compare match A in the selected TPU channel) (Initial value)
1	Non-overlapping operation in pulse output group 1 (independent 1 and 0 output at compare match A or B in the selected TPU channel)

**Bit 0—Group 0 Non-Overlap (G0NOV):** Selects normal or non-overlapping operation for pulse output group 0 (pins PO3 to PO0). However, the H8S/2626 Series and H8S/2623 Series have no pins corresponding to pulse output group 0.

**Bit 0**

<b>G0NOV</b>	<b>Description</b>
0	Normal operation in pulse output group 0 (output values updated at compare match A in the selected TPU channel) (Initial value)
1	Non-overlapping operation in pulse output group 0 (independent 1 and 0 output at compare match A or B in the selected TPU channel)

### 11.2.7 Port 1 Data Direction Register (P1DDR)

Bit	:	7	6	5	4	3	2	1	0
		P17DDR	P16DDR	P15DDR	P14DDR	P13DDR	P12DDR	P11DDR	P10DDR
Initial value :		0	0	0	0	0	0	0	0
R/W	:	W	W	W	W	W	W	W	W

P1DDR is an 8-bit write-only register, the individual bits of which specify input or output for the pins of port 1.

Port 1 is multiplexed with pins PO15 to PO8. Bits corresponding to pins used for PPG output must be set to 1. For further information about P1DDR, see section 9.2, Port 1.

### 11.2.8 Module Stop Control Register A (MSTPCRA)

Bit	:	7	6	5	4	3	2	1	0
		MSTPA7	MSTPA6	MSTPA5	MSTPA4	MSTPA3	MSTPA2	MSTPA1	MSTPA0
Initial value :		0	0	1	1	1	1	1	1
R/W	:	R/W	R/W	R/W	R/W	R/W	R/W	R/W	R/W

MSTPCRA is a 16-bit readable/writable register that performs module stop mode control.

When the MSTPA3 bit in MSTPCRA is set to 1, PPG operation stops at the end of the bus cycle and a transition is made to module stop mode. Registers cannot be read or written to in module stop mode. For details, see sections 21A.5, 21B.5, Module Stop Mode.

MSTPCRA is initialized to H'3F by a reset and in hardware standby mode. It is not initialized in software standby mode.

**Bit 3—Module Stop (MSTPA3):** Specifies the PPG module stop mode.

#### Bit 3

MSTPA3	Description
--------	-------------

0	PPG module stop mode cleared
1	PPG module stop mode set (Initial value)

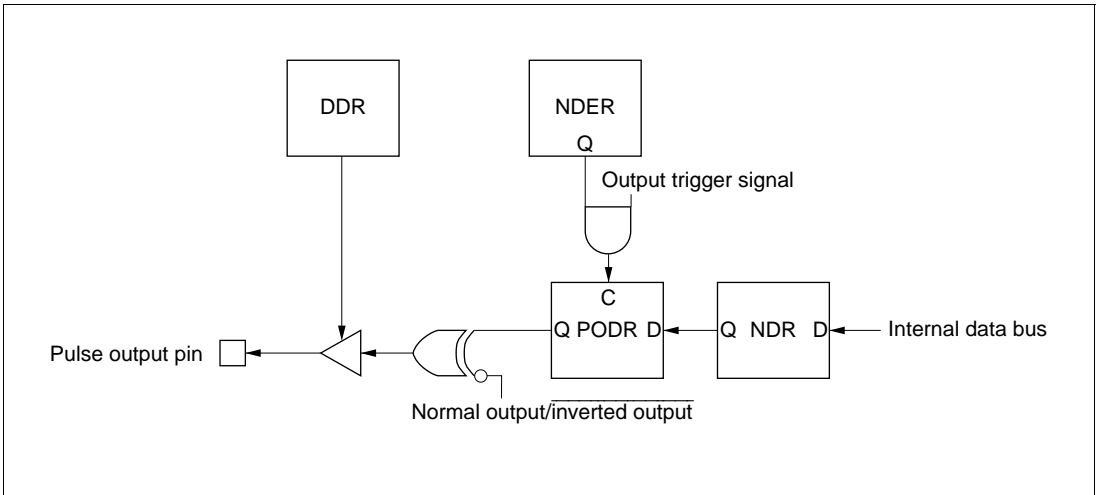
## 11.3 Operation

### 11.3.1 Overview

PPG pulse output is enabled when the corresponding bits in P1DDR and NDER are set to 1. In this state the corresponding PODR contents are output.

When the compare match event specified by PCR occurs, the corresponding NDR bit contents are transferred to PODR to update the output values.

Figure 11-2 illustrates the PPG output operation and table 11-3 summarizes the PPG operating conditions.



**Figure 11-2 PPG Output Operation**

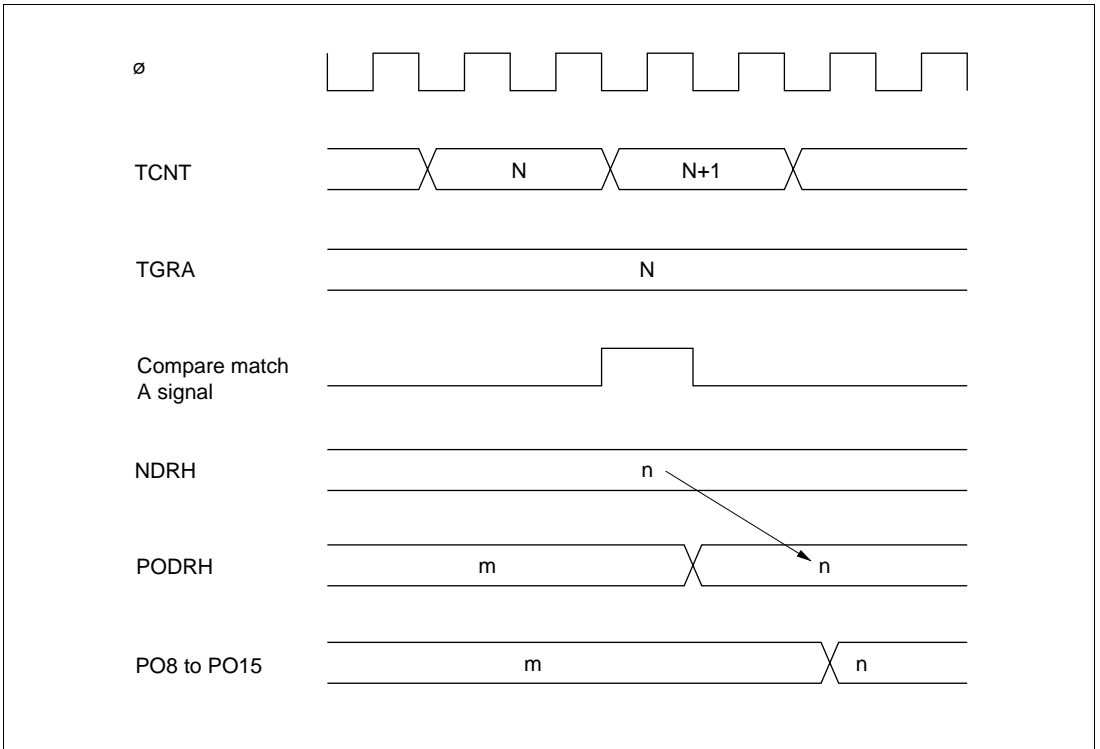
**Table 11-3 PPG Operating Conditions**

NDR	DDR	Pin Function
0	0	Generic input port
	1	Generic output port
1	0	Generic input port (but the PODR bit is a read-only bit, and when compare match occurs, the NDR bit value is transferred to the PODR bit)
	1	PPG pulse output

Sequential output of data of up to 16 bits is possible by writing new output data to NDR before the next compare match. For details of non-overlapping operation, see section 11.3.4, Non-Overlapping Pulse Output.

### 11.3.2 Output Timing

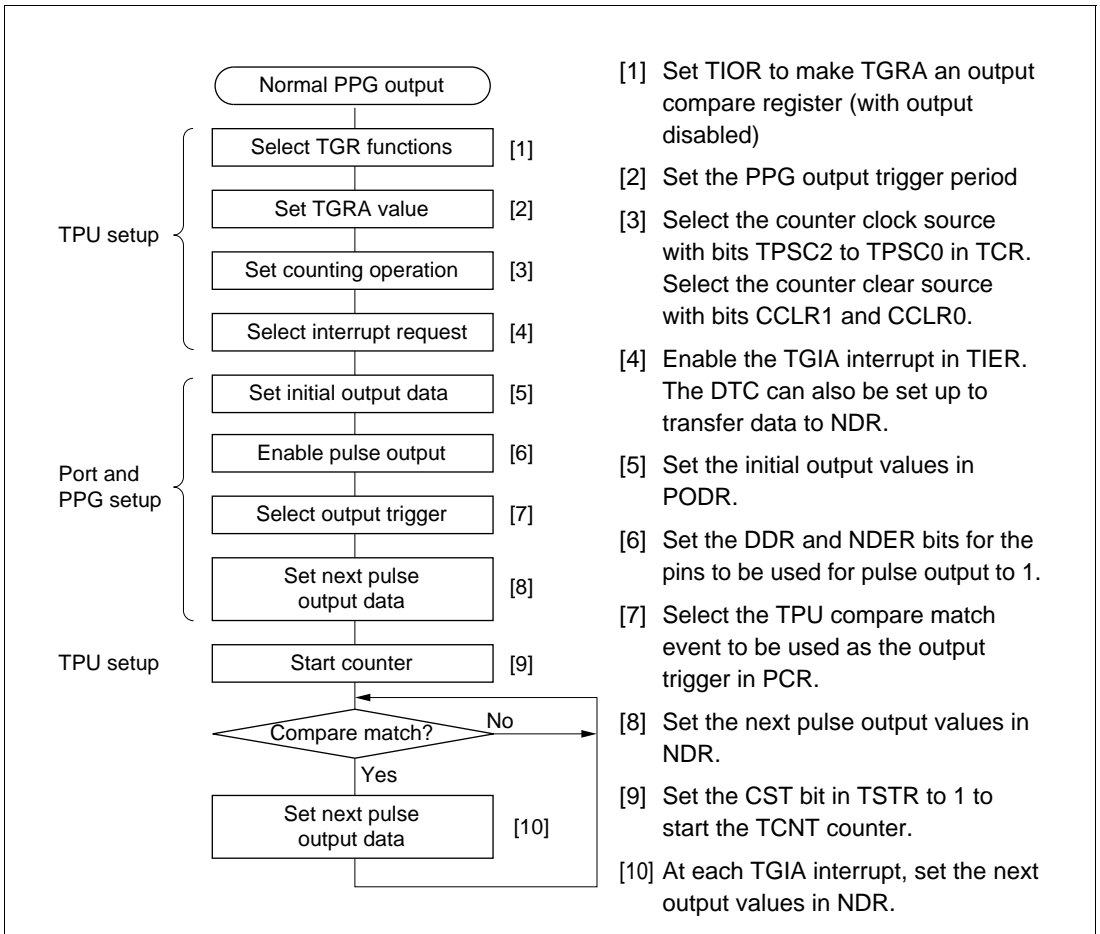
If pulse output is enabled, NDR contents are transferred to PODR and output when the specified compare match event occurs. Figure 11-3 shows the timing of these operations for the case of normal output in groups 2 and 3, triggered by compare match A.



**Figure 11-3 Timing of Transfer and Output of NDR Contents (Example)**

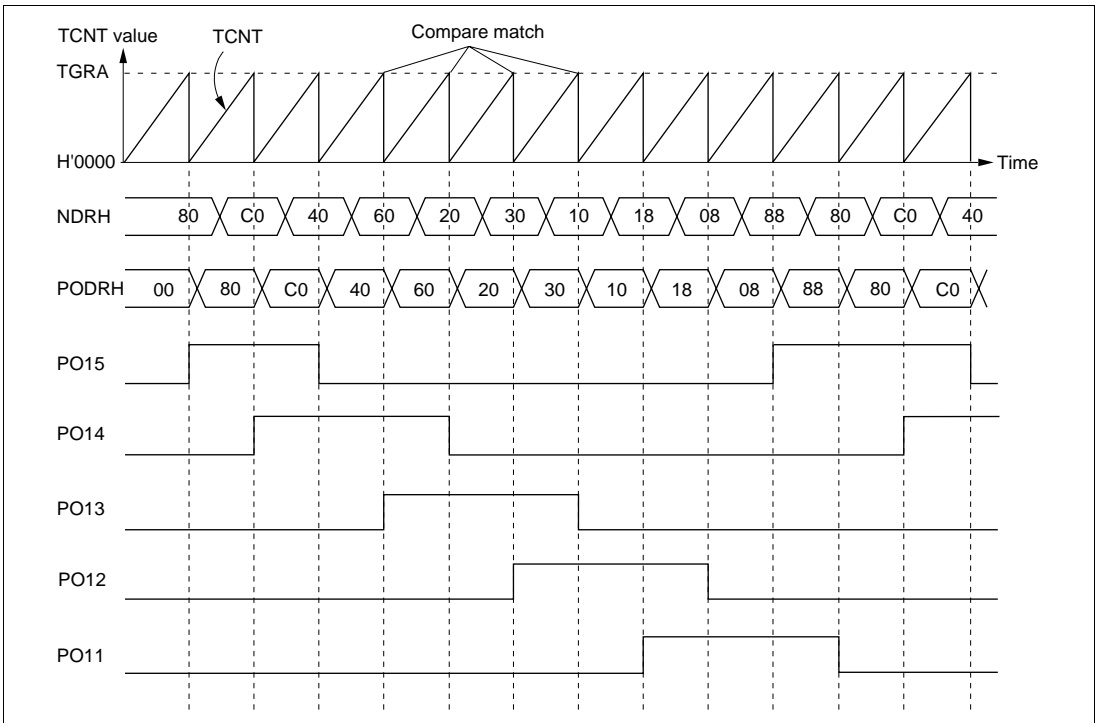
### 11.3.3 Normal Pulse Output

**Sample Setup Procedure for Normal Pulse Output:** Figure 11-4 shows a sample procedure for setting up normal pulse output.



**Figure 11-4 Setup Procedure for Normal Pulse Output (Example)**

**Example of Normal Pulse Output (Example of Five-Phase Pulse Output):** Figure 11-5 shows an example in which pulse output is used for cyclic five-phase pulse output.



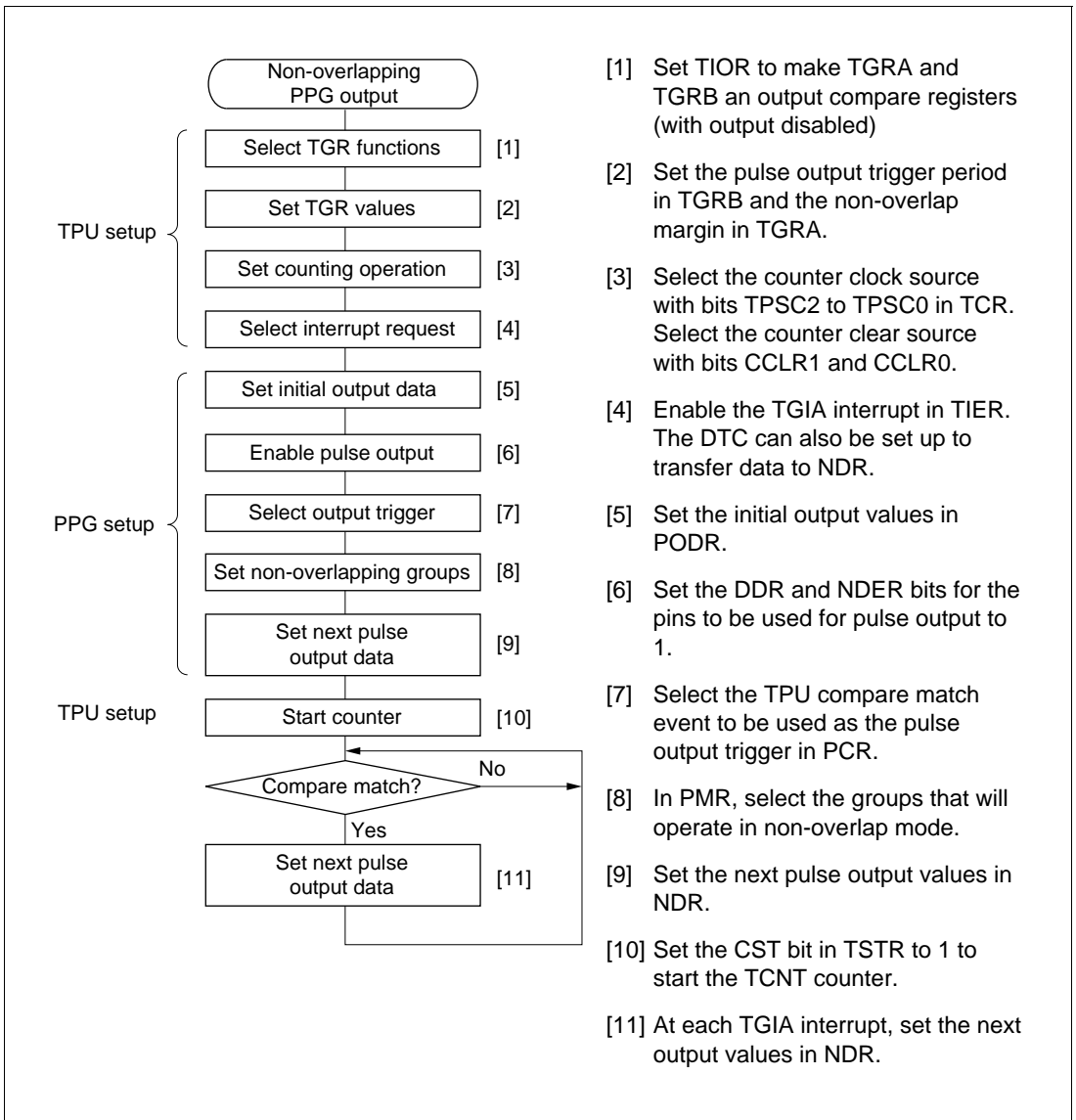
**Figure 11-5 Normal Pulse Output Example (Five-Phase Pulse Output)**

- [1] Set up the TPU channel to be used as the output trigger channel so that TGRA is an output compare register and the counter will be cleared by compare match A. Set the trigger period in TGRA and set the TGIEA bit in TIER to 1 to enable the compare match A (TGIA) interrupt.
- [2] Write H'F8 in P1DDR and NDRH, and set the G3CMS1, G3CMS0, G2CMS1, and G2CMS0 bits in PCR to select compare match in the TPU channel set up in the previous step to be the output trigger. Write output data H'80 in NDRH.
- [3] The timer counter in the TPU channel starts. When compare match A occurs, the NDRH contents are transferred to PODRH and output. The TGIA interrupt handling routine writes the next output data (H'C0) in NDRH.
- [4] Five-phase overlapping pulse output (one or two phases active at a time) can be obtained subsequently by writing H'40, H'60, H'20, H'30, H'10, H'18, H'08, H'88... at successive TGIA interrupts. If the DTC is set for activation by this interrupt, pulse output can be obtained without imposing a load on the CPU.



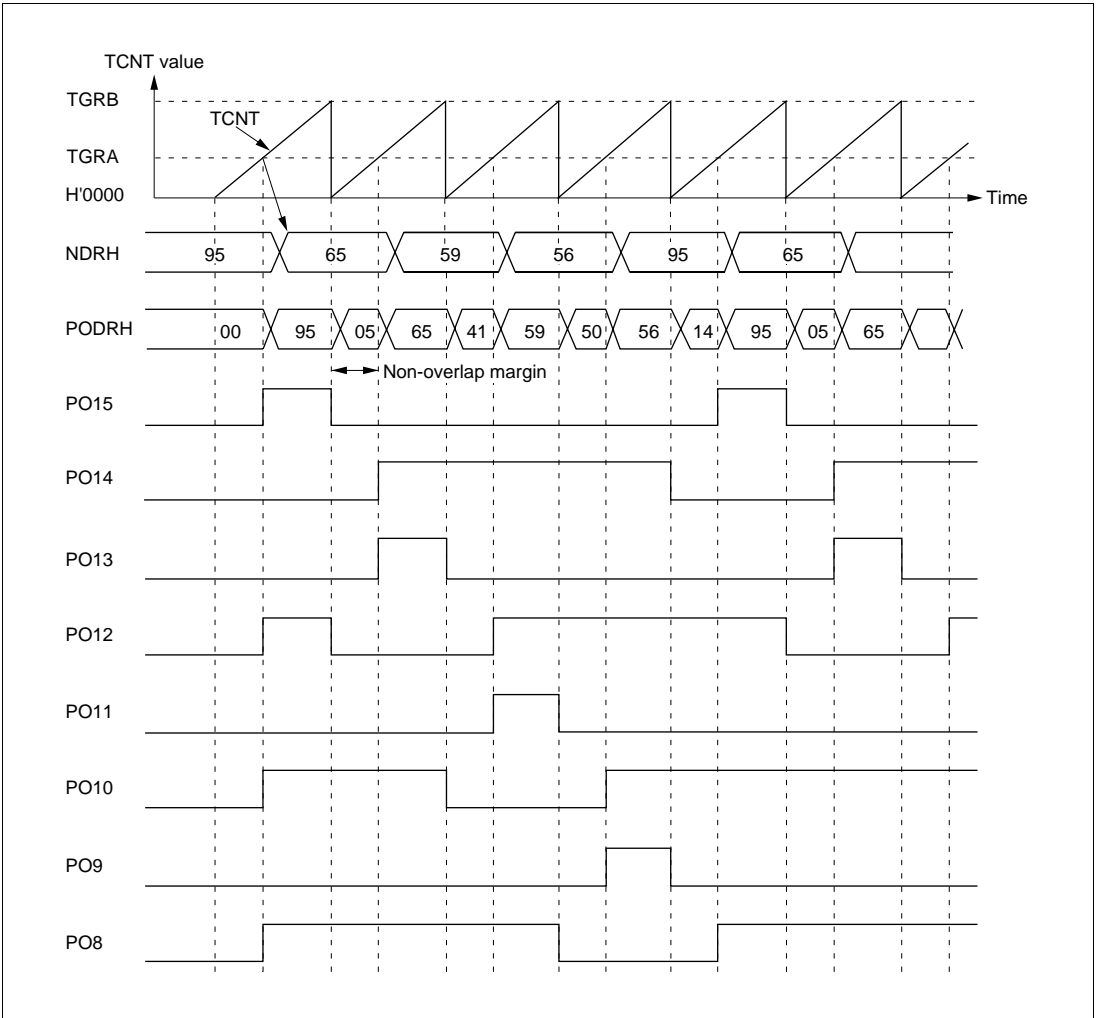
### 11.3.4 Non-Overlapping Pulse Output

**Sample Setup Procedure for Non-Overlapping Pulse Output:** Figure 11-6 shows a sample procedure for setting up non-overlapping pulse output.



**Figure 11-6 Setup Procedure for Non-Overlapping Pulse Output (Example)**

**Example of Non-Overlapping Pulse Output (Example of Four-Phase Complementary Non-Overlapping Output):** Figure 11-7 shows an example in which pulse output is used for four-phase complementary non-overlapping pulse output.



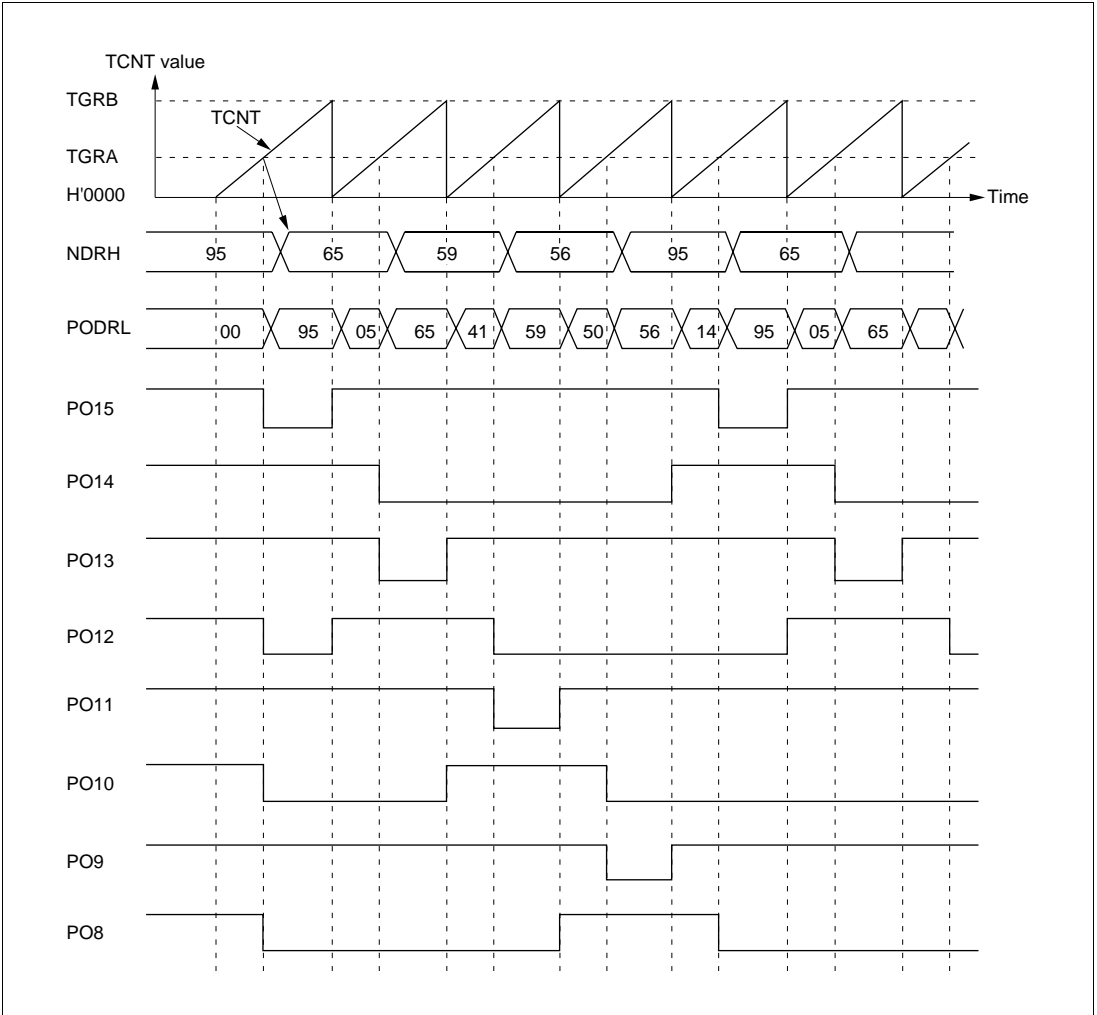
**Figure 11-7 Non-Overlapping Pulse Output Example (Four-Phase Complementary)**

- [1] Set up the TPU channel to be used as the output trigger channel so that TGRA and TGRB are output compare registers. Set the trigger period in TGRB and the non-overlap margin in TGRA, and set the counter to be cleared by compare match B. Set the TGIEA bit in TIER to 1 to enable the TGIA interrupt.
- [2] Write H'FF in P1DDR and NDERH, and set the G3CMS1, G3CMS0, G2CMS1, and G2CMS0 bits in PCR to select compare match in the TPU channel set up in the previous step to be the output trigger. Set the G3NOV and G2NOV bits in PMR to 1 to select non-overlapping output. Write output data H'95 in NDRH.
- [3] The timer counter in the TPU channel starts. When a compare match with TGRB occurs, outputs change from 1 to 0. When a compare match with TGRA occurs, outputs change from 0 to 1 (the change from 0 to 1 is delayed by the value set in TGRA). The TGIA interrupt handling routine writes the next output data (H'65) in NDRH.
- [4] Four-phase complementary non-overlapping pulse output can be obtained subsequently by writing H'59, H'56, H'95... at successive TGIA interrupts. If the DTC is set for activation by this interrupt, pulse output can be obtained without imposing a load on the CPU.

### 11.3.5 Inverted Pulse Output

If the G3INV, G2INV, G1INV, and G0INV bits in PMR are cleared to 0, values that are the inverse of the PODR contents can be output.

Figure 11-8 shows the outputs when G3INV and G2INV are cleared to 0, in addition to the settings of figure 11-7.

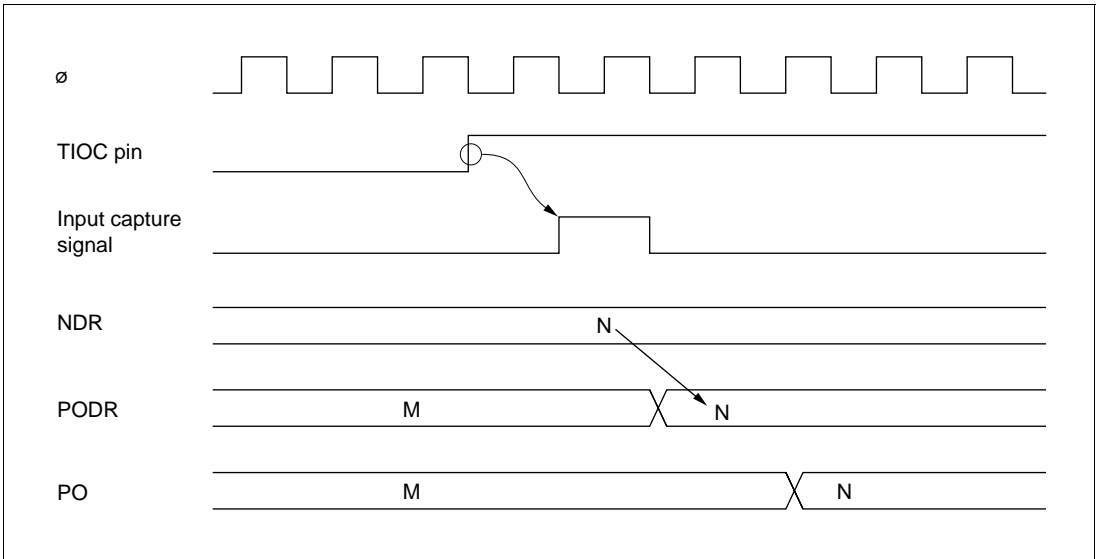


**Figure 11-8 Inverted Pulse Output (Example)**

### 11.3.6 Pulse Output Triggered by Input Capture

Pulse output can be triggered by TPU input capture as well as by compare match. If TGRA functions as an input capture register in the TPU channel selected by PCR, pulse output will be triggered by the input capture signal.

Figure 11-9 shows the timing of this output.



**Figure 11-9 Pulse Output Triggered by Input Capture (Example)**

## 11.4 Usage Notes

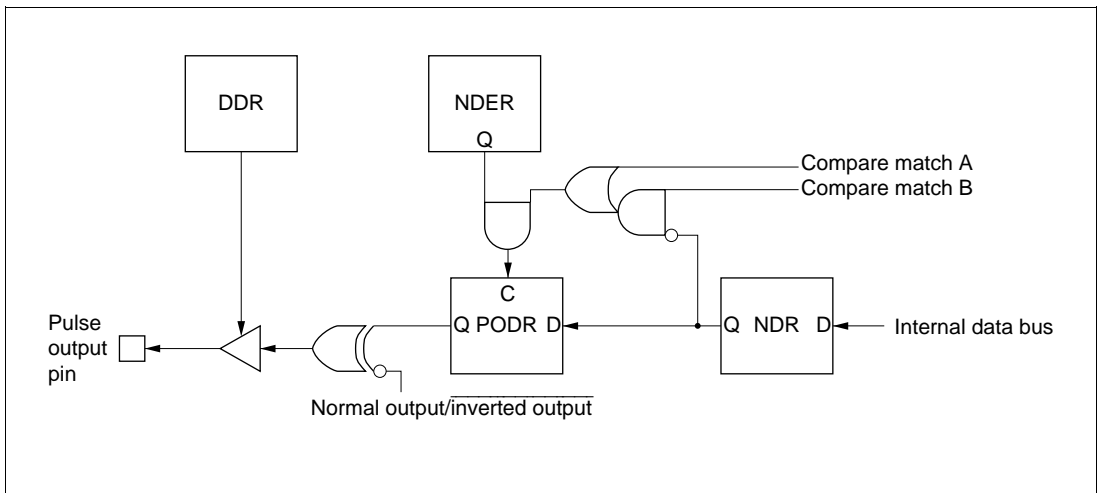
**Operation of Pulse Output Pins:** Pins PO8 to PO15 are also used for other peripheral functions such as the TPU. When output by another peripheral function is enabled, the corresponding pins cannot be used for pulse output. Note, however, that data transfer from NDR bits to PODR bits takes place, regardless of the usage of the pins.

Pin functions should be changed only under conditions in which the output trigger event will not occur.

**Note on Non-Overlapping Output:** During non-overlapping operation, the transfer of NDR bit values to PODR bits takes place as follows.

- NDR bits are always transferred to PODR bits at compare match A.
- At compare match B, NDR bits are transferred only if their value is 0. Bits are not transferred if their value is 1.

Figure 11-10 illustrates the non-overlapping pulse output operation.

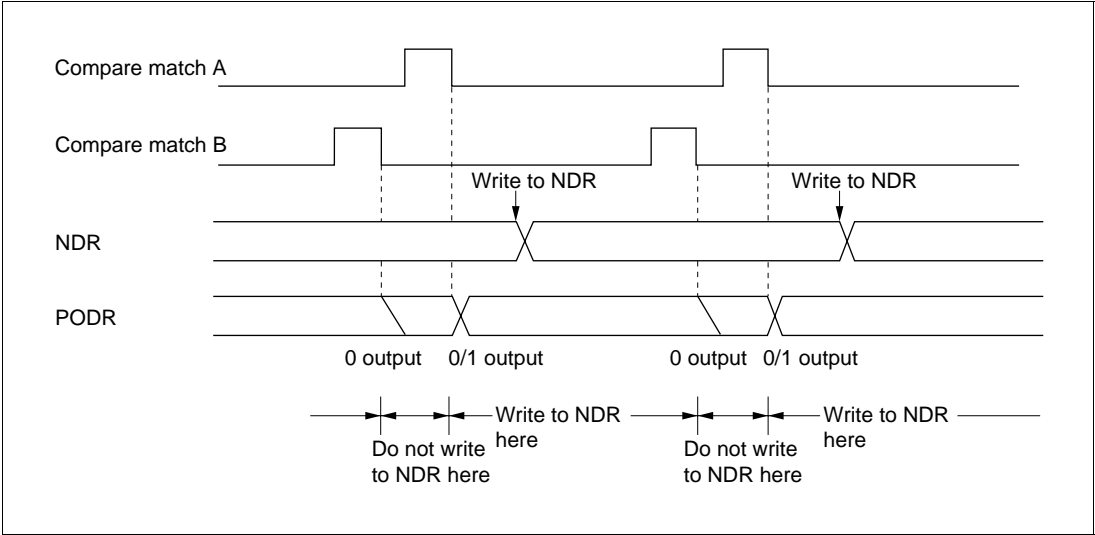


**Figure 11-10 Non-Overlapping Pulse Output**

Therefore, 0 data can be transferred ahead of 1 data by making compare match B occur before compare match A. The NDR contents should not be altered during the interval from compare match B to compare match A (the non-overlap margin).

This can be accomplished by having the TGIA interrupt handling routine write the next data in NDR, or by having the TGIA interrupt activate the DTC. Note, however, that the next data must be written before the next compare match B occurs.

Figure 11-11 shows the timing of this operation.



**Figure 11-11 Non-Overlapping Operation and NDR Write Timing**





# Section 12 Watchdog Timer

## 12.1 Overview

A single on-chip watchdog timer channel (WDT0) is provided in the H8S/2623 Series, and two watchdog timer channels (WDT0 and WDT1) in the H8S/2626 Series. The WDT outputs an overflow signal ( $\overline{\text{WDTOVF}}$ ) if a system crash prevents the CPU from writing to the timer counter, allowing it to overflow. At the same time, the WDT can also generate an internal reset signal for the H8S/2626 Series or H8S/2623 Series.

When this watchdog function is not needed, the WDT can be used as an interval timer. In interval timer operation, an interval timer interrupt is generated each time the counter overflows.

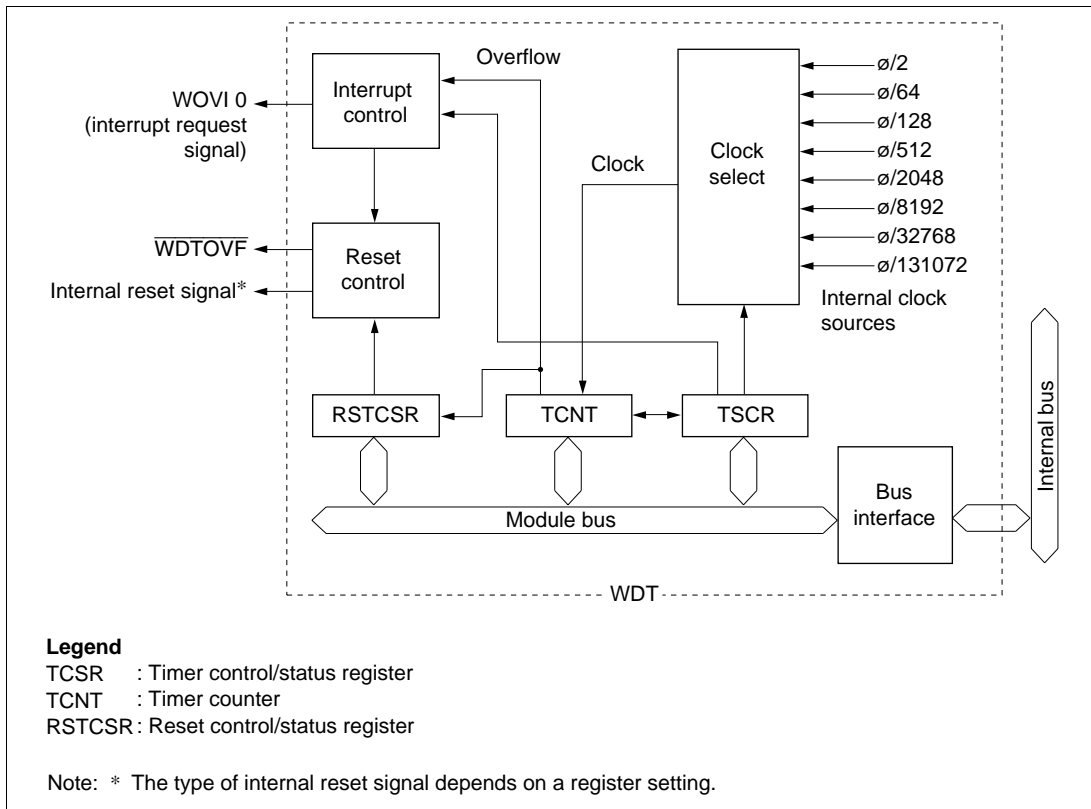
### 12.1.1 Features

WDT features are listed below.

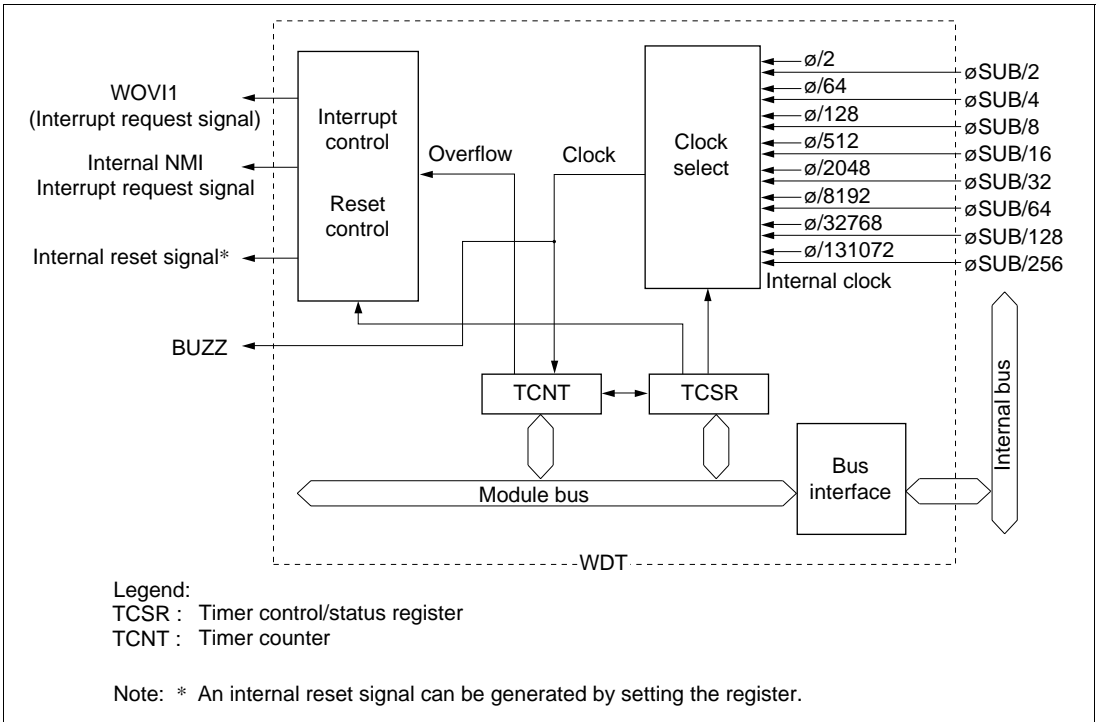
- Switchable between watchdog timer mode and interval timer mode
- $\overline{\text{WDTOVF}}$  output when in watchdog timer mode  
If the counter overflows, the WDT outputs  $\overline{\text{WDTOVF}}$ . It is possible to select whether the LSI is internally reset or an NMI interrupt is generated at the same time.
- Interrupt generation when in interval timer mode  
If the counter overflows, the WDT generates an interval timer interrupt.
- WDT0 and WDT1 respectively allow eight and sixteen types of counter input clock to be selected  
The maximum interval of the WDT is given as a system clock cycle  $\times 131072 \times 256$ .  
A subclock may be selected for the input counter of WDT1.  
Where a subclock is selected, the maximum interval is given as a subclock cycle  $\times 256 \times 256$ .
- Selected clock can be output from the BUZZ output pin (WDT1)

## 12.1.2 Block Diagram

Figures 12-1 (a) and 12-1 (b) show block diagrams of the WDT.



**Figure 12-1 (a) Block Diagram of WDT0**



**Figure 12-1 (b) Block Diagram of WDT1**

### 12.1.3 Pin Configuration

Table 12-1 describes the WDT output pin.

**Table 12-1 WDT Pin**

Name	Symbol	I/O	Function
Watchdog timer overflow	$\overline{\text{WDTOVF}}$	Output	Outputs counter overflow signal in watchdog timer mode
Buzzer output*	BUZZ	Output	Outputs clock selected by watchdog timer (WDT1)

Note: \* Cannot be used in the H8S/2623 Series.

### 12.1.4 Register Configuration

Table 12-2 summarizes the WDT register configuration. These registers control clock selection, WDT mode switching, and the reset signal.

**Table 12-2 WDT Registers**

Channel Name	Abbreviation	R/W	Initial Value	Address* <sup>1</sup>		
				Write* <sup>2</sup>	Read	
0	Timer control/status register 0	TCSR0	R/(W)* <sup>3</sup>	H'18	H'FF74	H'FF74
	Timer counter 0	TCNT0	R/W	H'00	H'FF74	H'FF75
	Reset control/status register	RSTCSR	R/(W)* <sup>3</sup>	H'1F	H'FF76	H'FF77
1* <sup>4</sup>	Timer control/status register 1	TCSR1	R/(W)* <sup>3</sup>	H'00	H'FFA2	H'FFA2
	Timer counter 1	TCNT1	R/W	H'00	H'FFA2	H'FFA3
All	Pin function control register	PFCR	R/W	H'0D/H'00	H'FDEB	

Notes: \*1 Lower 16 bits of the address.

\*2 For details of write operations, see section 12.2.5, Notes on Register Access.

\*3 Only a write of 0 is permitted to bit 7, to clear the flag.

\*4 Cannot be used in the H8S/2623 Series.

## 12.2 Register Descriptions

### 12.2.1 Timer Counter (TCNT)

Bit	:	7	6	5	4	3	2	1	0
Initial value :		0	0	0	0	0	0	0	0
R/W	:	R/W	R/W	R/W	R/W	R/W	R/W	R/W	R/W

TCNT is an 8-bit readable/writable\* up-counter.

When the TME bit is set to 1 in TCSR, TCNT starts counting pulses generated from the internal clock source selected by bits CKS2 to CKS0 in TCSR. When the count overflows (changes from H'FF to H'00), either the watchdog timer overflow signal ( $\overline{\text{WDTOVF}}$ ) or an interval timer interrupt (WOVI) is generated, depending on the mode selected by the WT/ $\overline{\text{IT}}$  bit in TCSR.

TCNT is initialized to H'00 by a reset, in hardware standby mode, or when the TME bit is cleared to 0. It is not initialized in software standby mode.

Note: \* TCNT is write-protected by a password to prevent accidental overwriting. For details see section 12.2.5, Notes on Register Access.

### 12.2.2 Timer Control/Status Register (TCSR)

#### TCSR0

Bit	:	7	6	5	4	3	2	1	0
		OVF	WT/ $\overline{\text{IT}}$	TME	—	—	CKS2	CKS1	CKS0
Initial value :		0	0	0	1	1	0	0	0
R/W	:	R/(W)*	R/W	R/W	—	—	R/W	R/W	R/W

Note: \* Only a 0 can be written, for flag clearing.

#### TCSR1\*1

Bit	:	7	6	5	4	3	2	1	0
		OVF	WT/ $\overline{\text{IT}}$	TME	PSS	RST/ $\overline{\text{NMI}}$	CKS2	CKS1	CKS0
Initial value :		0	0	0	0	0	0	0	0
R/W	:	R/(W)*2	R/W	R/W	R/W	R/W	R/W	R/W	R/W

Notes: \*1 Cannot be used in the H8S/2623 Series.

\*2 Only a 0 can be written, for flag clearing.

TCSR is an 8-bit readable/writable\* register. Its functions include selecting the clock source to be input to TCNT, and the timer mode.

TCSR0 (TCSR1) is initialized to H'18 (H'00) by a reset and in hardware standby mode. It is not initialized in software standby mode.

Note: \* TCSR is write-protected by a password to prevent accidental overwriting. For details see section 12.2.5, Notes on Register Access.

**Bit 7—Overflow Flag (OVF):** Indicates that TCNT has overflowed from H'FF to H'00.

#### Bit 7

OVF	Description
0	[Clearing conditions] (Initial value) <ul style="list-style-type: none"> <li>• Cleared when 0 is written to the TME bit (Only applies to WDT1)</li> <li>• Cleared by reading TCSR when OVF = 1, then writing 0 to OVF</li> </ul>
1	[Setting condition] <p>When TCNT overflows (changes from H'FF to H'00)</p> <p>When internal reset request generation is selected in watchdog timer mode, OVF is cleared automatically by the internal reset.</p>

In interval timer mode, to clear OVF flag in WOVI handling routine, read TCSR when OVF = 1, then write with 0 to OVF, as stated above.

When WOVI is masked and OVF flag is polling, if contention between OVF flag set and TCSR read is occurred, OVF = 1 is read but OVF can not be cleared by writing with 0 to OVF.

In this case, reading TCSR when OVF = 1 two times meet the requirements of OVF clear condition. Please read TCSR when OVF = 1 two times before writing with 0 to OVF.

**Bit 6—Timer Mode Select (WT/IT):** Selects whether the  $\overline{\text{WDT}}$  is used as a watchdog timer or interval timer. When TCNT overflows, WDT0 generates the  $\overline{\text{WDT0VF}}$  signal when in watchdog timer mode, or a WOVI interrupt request to the CPU when in interval timer mode. WDT1 generates a reset or NMI interrupt request when in watchdog timer mode, or a WOVI interrupt request to the CPU when in interval timer mode.

#### WDT0 Mode Select

##### WDT0

WT/IT	Description
0	Interval timer mode: WDT0 requests an interval timer interrupt (WOVI) from the CPU when the TCNT overflows. (Initial value)
1	Watchdog timer mode: WDT0 outputs a $\overline{\text{WDT0VF}}$ signal when the TCNT overflows.*

Note: \* For details on a TCNT overflow in watchdog timer mode, see section 12.2.3, Reset Control/Status Register (RSTCSR).

## WDT1 Mode Select\*

### WDT1

WT/IT	Description
0	Interval timer mode: WDT1 requests an interval timer interrupt (WOVI) from the CPU when the TCNT overflows. (Initial value)
1	Watchdog timer mode: WDT1 requests a reset or an NMI interrupt from the CPU when the TCNT overflows.

Note: \* Cannot be used in the H8S/2623 Series.

**Bit 5—Timer Enable (TME):** Selects whether TCNT runs or is halted.

### Bit 5

TME	Description
0	TCNT is initialized to H'00 and halted (Initial value)
1	TCNT counts

**WDT0 TCSR Bit 4—Reserved Bit:** This bit is always read as 1 and cannot be modified.

**WDT1 TCSR Bit 4—Prescaler Select (PSS):** This bit is used to select an input clock source for the TCNT of WDT1.

See the descriptions of Clock Select 2 to 0 for details.

This bit cannot be used in the H8S/2623 Series.

### WDT1 TCSR

#### Bit 4

PSS	Description
0	The TCNT counts frequency-division clock pulses of the $\phi$ based prescaler (PSM). (Initial value)
1	The TCNT counts frequency-division clock pulses of the $\phi$ SUB-based prescaler (PSS).

**WDT0 TCSR Bit 3—Reserved Bit:** This bit is always read as 1 and cannot be modified.

**WDT1 TCSR Bit 3—Reset or NMI (RST/NMI):** This bit is used to choose between an internal reset request and an NMI request when the TCNT overflows during the watchdog timer mode.

This bit cannot be used in the H8S/2623 Series.

### Bit 3

RTS/NMI	Description	
0	NMI request.	(Initial value)
1	Internal reset request.	

**Bits 2 to 0—Clock Select 2 to 0 (CKS2 to CKS0):** These bits select one of eight internal clock sources, obtained by dividing the system clock ( $\phi$ ) or subclock ( $\phi$  SUB), for input to TCNT.

### WDT0 Input Clock Select

Bit 2	Bit 1	Bit 0	Description	
CKS2	CKS1	CKS0	Clock	Overflow Period* (where $\phi = 20$ MHz)
0	0	0	$\phi/2$ (Initial value)	25.6 $\mu$ s
		1	$\phi/64$	819.2 $\mu$ s
	1	0	$\phi/128$	1.6 ms
		1	$\phi/512$	6.6 ms
1	0	0	$\phi/2048$	26.2 ms
		1	$\phi/8192$	104.9 ms
	1	0	$\phi/32768$	419.4 ms
		1	$\phi/131072$	1.68 s

Note: \* An overflow period is the time interval between the start of counting up from H'00 on the TCNT and the occurrence of a TCNT overflow.



## WDT1 Input Clock Select\*2

				Description	
Bit 4	Bit 2	Bit 1	Bit 0	Clock	Overflow Period*1 (where $\phi = 20$ MHz) (where $\phi$ SUB = 32.768 kHz)
PSS	CKS2	CKS1	CKS0		
0	0	0	0	$\phi/2$ (Initial value)	25.6 $\mu$ s
			1	$\phi/64$	819.2 $\mu$ s
		1	0	$\phi/128$	1.6 ms
			1	$\phi/512$	6.6 ms
	1	0	0	$\phi/2048$	26.2 ms
			1	$\phi/8192$	104.9 ms
		1	0	$\phi/32768$	419.4 ms
			1	$\phi/131072$	1.68 s
1	0	0	0	$\phi$ SUB/2	15.6 ms
			1	$\phi$ SUB/4	31.3 ms
		1	0	$\phi$ SUB/8	62.5 ms
			1	$\phi$ SUB/16	125 ms
	1	0	0	$\phi$ SUB/32	250 ms
			1	$\phi$ SUB/64	500 ms
		1	0	$\phi$ SUB/128	1 s
			1	$\phi$ SUB/256	2 s

Notes: \*1 An overflow period is the time interval between the start of counting up from H'00 on the TCNT and the occurrence of a TCNT overflow.

\*2 Cannot be used in the H8S/2623 Series.

### 12.2.3 Reset Control/Status Register (RSTCSR)

Bit	:	7	6	5	4	3	2	1	0
		WOVF	RSTE	RSTS	—	—	—	—	—
Initial value :		0	0	0	1	1	1	1	1
R/W	:	R/(W)*	R/W	R/W	—	—	—	—	—

Note: \* Only 0 can be written, for flag clearing.

RSTCSR is an 8-bit readable/writable\* register that controls the generation of the internal reset signal when TCNT overflows, and selects the type of internal reset signal.

RSTCSR is initialized to H'1F by a reset signal from the  $\overline{\text{RES}}$  pin, but not by the WDT internal reset signal caused by overflows.

Note: \* RSTCSR is write-protected by a password to prevent accidental overwriting. For details see section 12.2.5, Notes on Register Access.

**Bit 7—Watchdog Overflow Flag (WOVF):** Indicates that TCNT has overflowed (changed from H'FF to H'00) during watchdog timer operation. This bit is not set in interval timer mode.

#### Bit 7

WOVF	Description
0	[Clearing condition] (Initial value) Cleared by reading TCSR when WOVF = 1, then writing 0 to WOVF
1	[Setting condition] Set when TCNT overflows (changed from H'FF to H'00) during watchdog timer operation

**Bit 6—Reset Enable (RSTE):** Specifies whether or not a reset signal is generated in the chip if TCNT overflows during watchdog timer operation.

#### Bit 6

RSTE	Description
0	Reset signal is not generated if TCNT overflows* (Initial value)
1	Reset signal is generated if TCNT overflows

Note: \* The modules within the chip are not reset, but TCNT and TCSR within the WDT are reset.

**Bit 5—Reset Select (RSTS):** Selects the type of internal reset generated if TCNT overflows during watchdog timer operation.

For details of the types of reset, see section 4, Exception Handling.

**Bit 5**

<b>RSTS</b>	<b>Description</b>	
0	Power-on reset	(Initial value)
1	Setting prohibited	

**Bits 4 to 0—Reserved:** These bits are always read as 1 and cannot be modified.

**12.2.4 Pin Function Control Register (PFCR)**

Bit	:	7	6	5	4	3	2	1	0
		—	—	BUZZE	—	AE3	AE2	AE1	AE0
Initial value :		0	0	0	0	1/0	1/0	0	1/0
R/W :		R/W	R/W	R/W	R/W	R/W	R/W	R/W	R/W

PFCR is an 8-bit readable/writable register that performs address output control in external expanded mode.

Only bit 5 is described here. For details of the other bits, see section 7.2.6, Pin Function Control Register (PFCR).

**Bit 5—BUZZ Output Enable (BUZZE)\*:** Enables or disables BUZZ output from the PF1 pin. The WDT1 input clock selected with bits PSS and CKS2 to CKS0 is output as the BUZZ signal.

Note: \* In the H8S/2623 Series this bit is reserved, and must be written with 0.

**Bit 5**

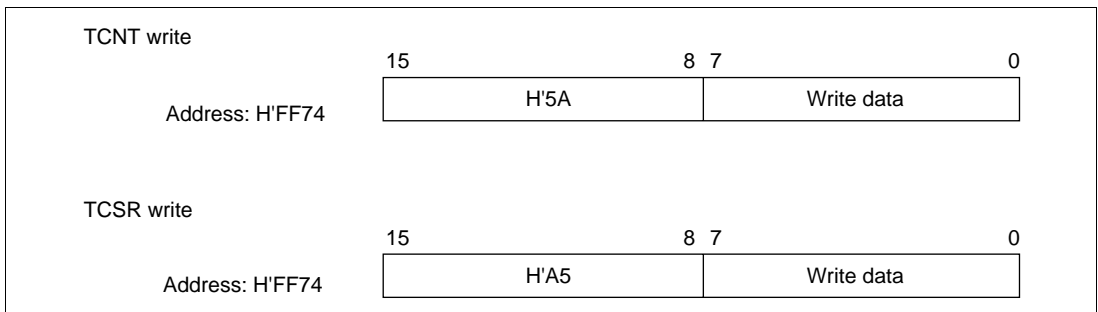
<b>BUZZE</b>	<b>Description</b>	
0	Functions as PF1 I/O pin	(Initial value)
1	Functions as BUZZ output pin	

## 12.2.5 Notes on Register Access

The watchdog timer's TCNT, TCSR, and RSTCSR registers differ from other registers in being more difficult to write to. The procedures for writing to and reading these registers are given below.

**Writing to TCNT and TCSR:** These registers must be written to by a word transfer instruction. They cannot be written to with byte instructions.

Figure 12-2 shows the format of data written to TCNT and TCSR. TCNT and TCSR both have the same write address. For a write to TCNT, the upper byte of the written word must contain H'5A and the lower byte must contain the write data. For a write to TCSR, the upper byte of the written word must contain H'A5 and the lower byte must contain the write data. This transfers the write data from the lower byte to TCNT or TCSR.

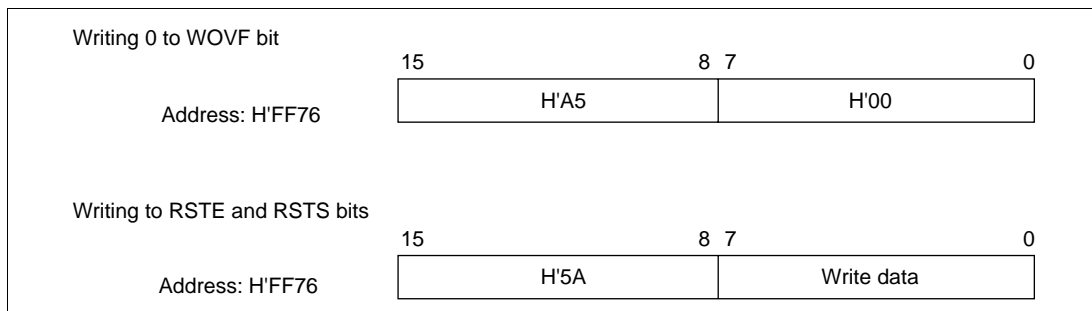


**Figure 12-2 Format of Data Written to TCNT and TCSR**

**Writing to RSTCSR:** RSTCSR must be written to by word transfer instruction to address H'FF76. It cannot be written to with byte instructions.

Figure 12-3 shows the format of data written to RSTCSR. The method of writing 0 to the WOVF bit differs from that for writing to the RSTE and RSTS bits.

To write 0 to the WOVF bit, the write data must have H'A5 in the upper byte and H'00 in the lower byte. This clears the WOVF bit to 0, but has no effect on the RSTE and RSTS bits. To write to the RSTE and RSTS bits, the upper byte must contain H'5A and the lower byte must contain the write data. This writes the values in bits 6 and 5 of the lower byte into the RSTE and RSTS bits, but has no effect on the WOVF bit.



**Figure 12-3 Format of Data Written to RSTCSR**

**Reading TCNT, TCSR, and RSTCSR (WDT0):** These registers are read in the same way as other registers. The read addresses are H'FF74 for TCSR, H'FF75 for TCNT, and H'FF77 for RSTCSR.

## 12.3 Operation

### 12.3.1 Watchdog Timer Operation

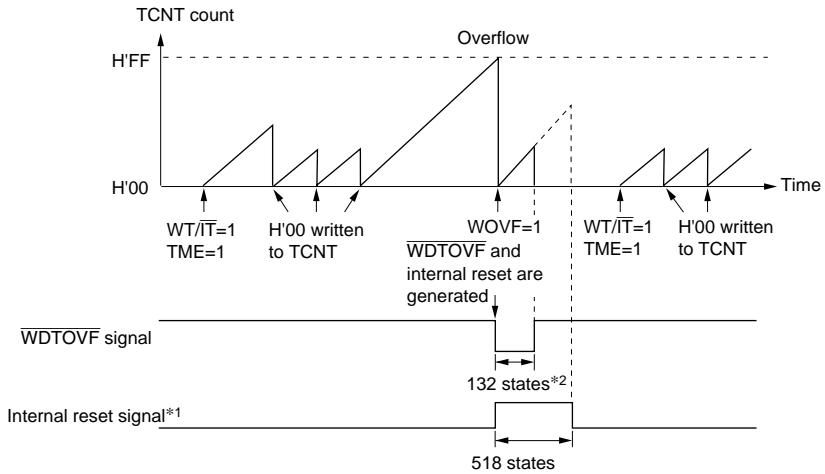
To use the WDT as a watchdog timer, set the  $\overline{WT/IT}$  bit in TCSR and TME bit to 1. Software must prevent TCNT overflows by rewriting the TCNT value (normally be writing H'00) before overflows occurs. This ensures that TCNT does not overflow while the system is operating normally. If TCNT overflows without being rewritten because of a system crash or other error, in the WDT0 the  $\overline{WDTOVF}$  signal is output. This is shown in figure 12-4(a). This  $\overline{WDTOVF}$  signal can be used to reset the system. The  $\overline{WDTOVF}$  signal is output for 132 states when RSTE = 1, and for 130 states when RSTE = 0.

If TCNT overflows when 1 is set in the RSTE bit in RSTCSR, a signal that resets the chip internally is generated at the same time as the  $\overline{WDTOVF}$  signal. This reset can be selected as a power-on reset or a manual reset, depending on the setting of the RSTS bit in RSTCSR. The internal reset signal is output for 518 states.

If a reset caused by a signal input to the  $\overline{RES}$  pin occurs at the same time as a reset caused by a WDT overflow, the  $\overline{RES}$  pin reset has priority and the WOVF bit in RSTCSR is cleared to 0.

In the case of WDT1, the chip is reset, or an NMI interrupt request is generated, for 516 system clock periods ( $516\phi$ ) (515 or 516 states when the clock source is  $\phi$ SUB (PSS = 1)). This is illustrated in figure 12-4 (b).

An NMI request from the watchdog timer and an interrupt request from the NMI pin are both treated as having the same vector. So, avoid handling an NMI request from the watchdog timer and an interrupt request from the NMI pin at the same time.

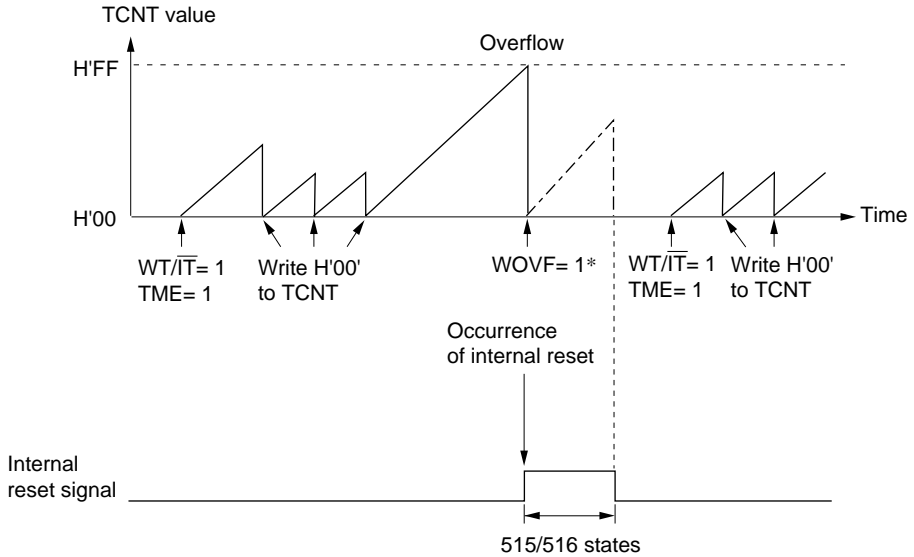


**Legend**

WT/ $\overline{\text{IT}}$ : Timer mode select bit  
TME : Timer enable bit

Notes: \*1 The internal reset signal is generated only if the RSTE bit is set to 1.  
\*2 130 states when the RSTE bit is cleared to 0.

**Figure 12-4 (a) WDT0 Watchdog Timer Operation**



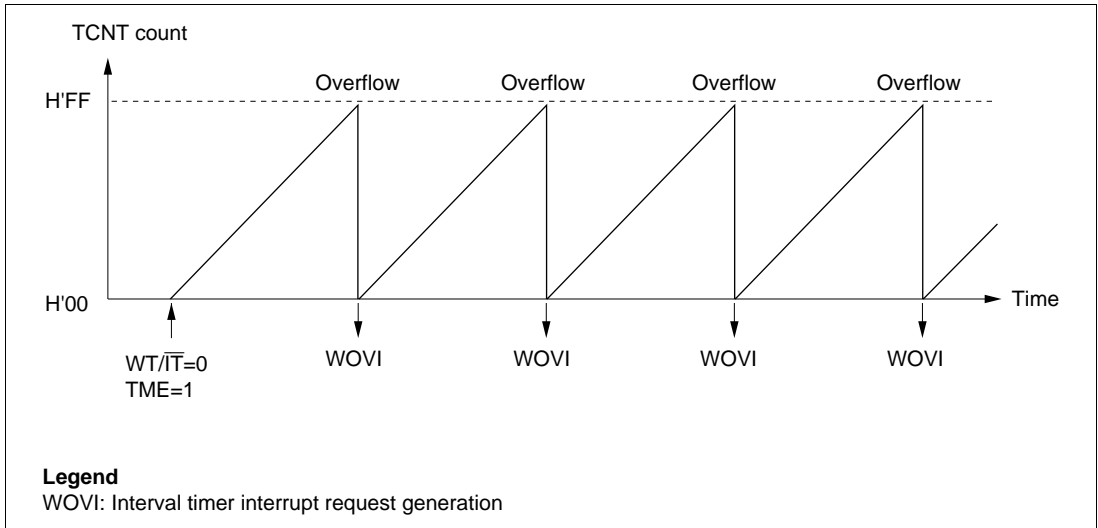
WT/ $\overline{\text{IT}}$  : Timer Mode Select bit  
TME : Timer Enable bit

Note: \* The WOVF bit is set to 1 and then cleared to 0 by an internal reset.

**Figure 12-4 (b) WDT1 Operation in Watchdog Timer Mode**

### 12.3.2 Interval Timer Operation

To use the WDT as an interval timer, clear the  $WT/\overline{IT}$  bit in TCSR to 0 and set the TME bit to 1. An interval timer interrupt (WOVI) is generated each time TCNT overflows, provided that the WDT is operating as an interval timer, as shown in figure 12-5. This function can be used to generate interrupt requests at regular intervals.



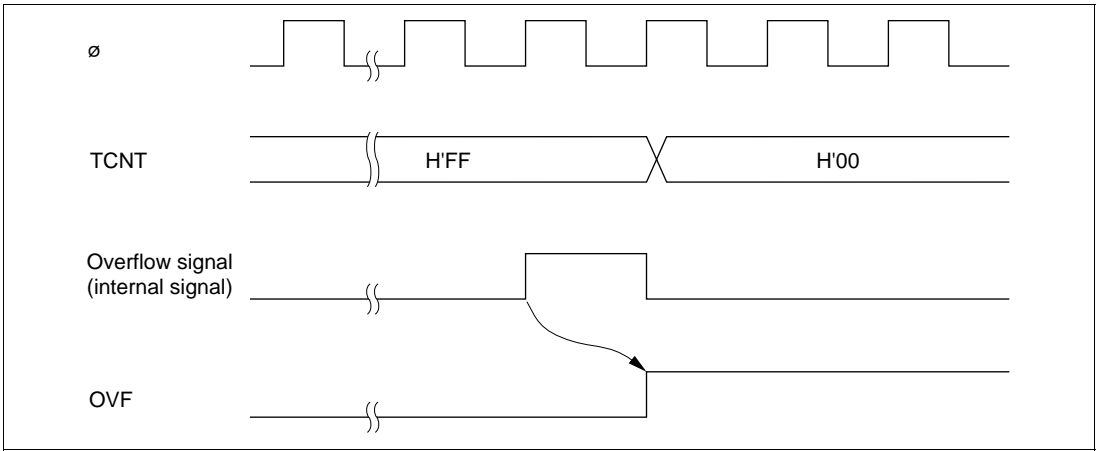
**Figure 12-5 Interval Timer Operation**

### 12.3.3 Timing of Setting Overflow Flag (OVF)

The OVF flag is set to 1 if TCNT overflows during interval timer operation. At the same time, an interval timer interrupt (WOVI) is requested. This timing is shown in figure 12-6.

With WDT1, the OVF bit of the TCSR is set to 1 and a simultaneous NMI interrupt is requested when the TCNT overflows if the NMI request has been chosen in the watchdog timer mode.

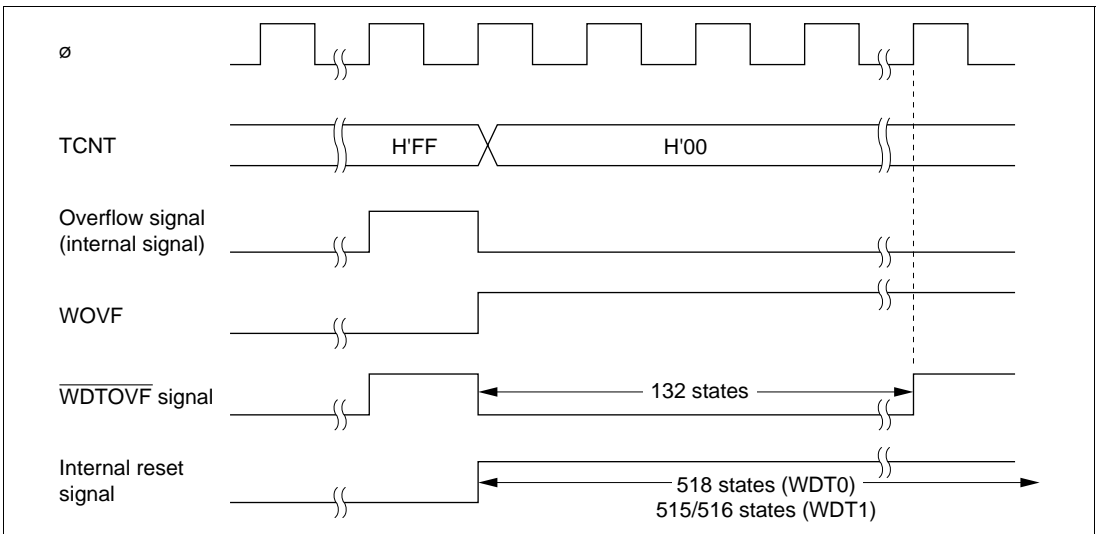




**Figure 12-6 Timing of Setting of OVF**

### 12.3.4 Timing of Setting of Watchdog Timer Overflow Flag (WOVF)

In the WDT0, the WOVF flag is set to 1 if TCNT overflows during watchdog timer operation. At the same time, the WDTOVF signal goes low. If TCNT overflows while the RSTE bit in RSTCSR is set to 1, an internal reset signal is generated for the entire chip. Figure 12-7 shows the timing in this case.



**Figure 12-7 Timing of Setting of WOVF**

## 12.4 Interrupts

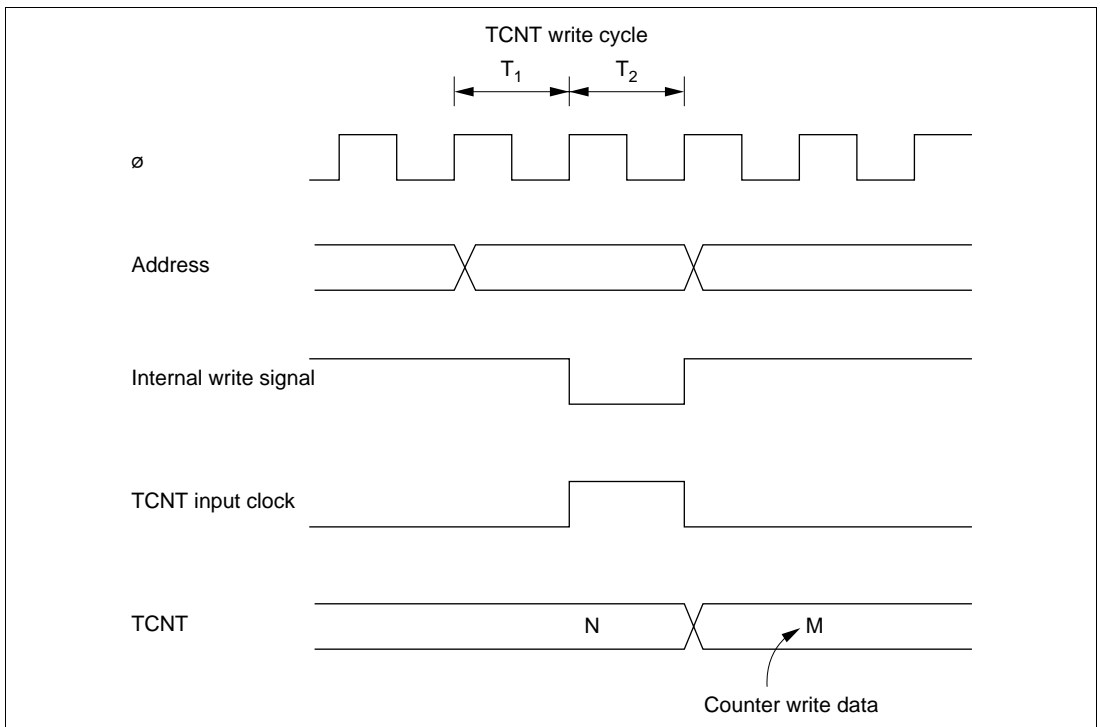
During interval timer mode operation, an overflow generates an interval timer interrupt (WOVI). The interval timer interrupt is requested whenever the OVF flag is set to 1 in TCSR. OVF must be cleared to 0 in the interrupt handling routine.

If an NMI request has been chosen in the watchdog timer mode, an NMI request is generated when a TCNT overflow occurs.

## 12.5 Usage Notes

### 12.5.1 Contention between Timer Counter (TCNT) Write and Increment

If a timer counter clock pulse is generated during the  $T_2$  state of a TCNT write cycle, the write takes priority and the timer counter is not incremented. Figure 12-8 shows this operation.



**Figure 12-8 Contention between TCNT Write and Increment**

## 12.5.2 Changing Value of PSS and CKS2 to CKS0

If bits PSS and CKS2 to CKS0 in TCSR are written to while the WDT is operating, errors could occur in the incrementation. Software must stop the watchdog timer (by clearing the TME bit to 0) before changing the value of bits PSS and CKS2 to CKS0.

## 12.5.3 Switching between Watchdog Timer Mode and Interval Timer Mode

If the mode is switched from watchdog timer to interval timer, or vice versa, while the WDT is operating, errors could occur in the incrementation. Software must stop the watchdog timer (by clearing the TME bit to 0) before switching the mode.

## 12.5.4 System Reset by $\overline{\text{WDTOVF}}$ Signal

If the  $\overline{\text{WDTOVF}}$  output signal is input to the  $\overline{\text{RES}}$  pin of the H8S/2626 Series or H8S/2623 Series, the chip will not be initialized correctly. Make sure that the  $\overline{\text{WDTOVF}}$  signal is not input logically to the  $\overline{\text{RES}}$  pin. To reset the entire system by means of the  $\overline{\text{WDTOVF}}$  signal, use the circuit shown in figure 12-9.

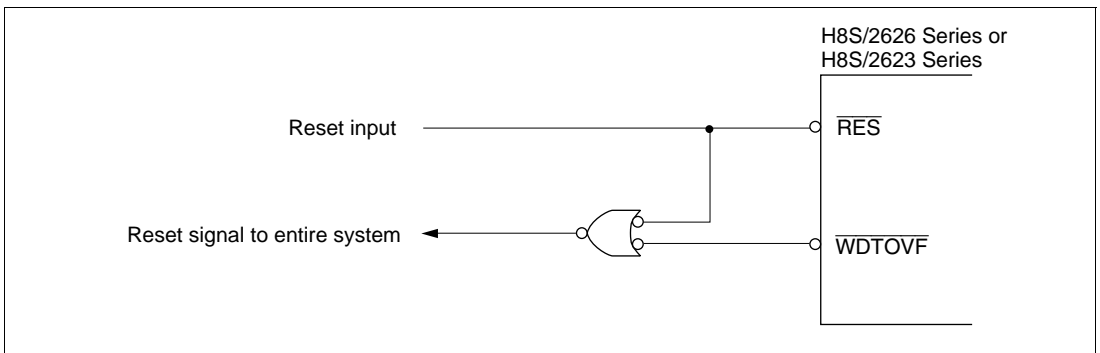


Figure 12-9 Circuit for System Reset by  $\overline{\text{WDTOVF}}$  Signal (Example)

## 12.5.5 Internal Reset in Watchdog Timer Mode

The H8S/2626 Series or H8S/2623 Series is not reset internally if TCNT overflows while the RSTE bit is cleared to 0 during watchdog timer operation, but TCNT and TCSR of the WDT are reset.

TCNT, TCSR, and RSTCSR cannot be written to while the  $\overline{\text{WDTOVF}}$  signal is low. Also note that a read of the WOVF flag is not recognized during this period. To clear the WOVF flag, therefore, read TCSR after the  $\overline{\text{WDTOVF}}$  signal goes high, then write 0 to the WOVF flag.

### 12.5.6 OVF Flag Clearing in Interval Timer Mode

When the OVF flag setting conflicts with the OVF flag reading in interval timer mode, writing 0 to the OVF bit may not clear the flag even though the OVF bit has been read while it is 1. If there is a possibility that the OVF flag setting and reading will conflict, such as when the OVF flag is polled with the interval timer interrupt disabled, read the OVF bit while it is 1 at least twice before writing 0 to the OVF bit to clear the flag.

# Section 13 Serial Communication Interface (SCI)

## 13.1 Overview

The H8S/2626 Series and H8S/2623 Series have three independent serial communication interface (SCI) channels. The SCI can handle both asynchronous and clocked synchronous serial communication. A function is also provided for serial communication between processors (multiprocessor communication function).

### 13.1.1 Features

SCI features are listed below.

- Choice of asynchronous or clocked synchronous serial communication mode

#### Asynchronous mode

— Serial data communication executed using asynchronous system in which synchronization is achieved character by character

Serial data communication can be carried out with standard asynchronous communication chips such as a Universal Asynchronous Receiver/Transmitter (UART) or Asynchronous Communication Interface Adapter (ACIA)

— A multiprocessor communication function is provided that enables serial data communication with a number of processors

— Choice of 12 serial data transfer formats

Data length : 7 or 8 bits

Stop bit length : 1 or 2 bits

Parity : Even, odd, or none

Multiprocessor bit : 1 or 0

— Receive error detection : Parity, overrun, and framing errors

— Break detection : Break can be detected by reading the Rx pin level directly in case of a framing error

#### Clocked Synchronous mode

— Serial data communication synchronized with a clock

Serial data communication can be carried out with other chips that have a synchronous communication function

— One serial data transfer format

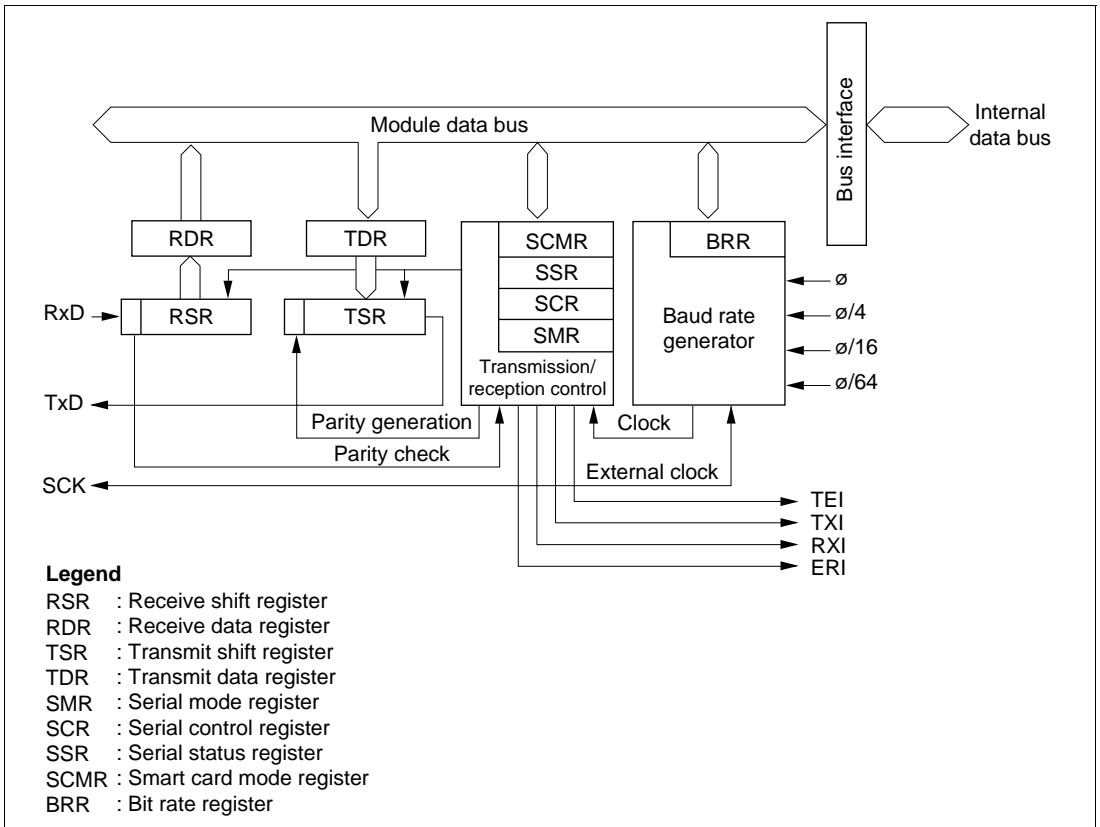
Data length : 8 bits

— Receive error detection : Overrun errors detected

- Full-duplex communication capability
  - The transmitter and receiver are mutually independent, enabling transmission and reception to be executed simultaneously
  - Double-buffering is used in both the transmitter and the receiver, enabling continuous transmission and continuous reception of serial data
- Choice of LSB-first or MSB-first transfer
  - Can be selected regardless of the communication mode\* (except in the case of asynchronous mode 7-bit data)
  - Note: \* Descriptions in this section refer to LSB-first transfer.
- On-chip baud rate generator allows any bit rate to be selected
- Choice of serial clock source: internal clock from baud rate generator or external clock from SCK pin
- Four interrupt sources
  - Four interrupt sources — transmit-data-empty, transmit-end, receive-data-full, and receive error — that can issue requests independently
  - The transmit-data-empty interrupt and receive data full interrupts can activate the data transfer controller (DTC) to execute data transfer
- Module stop mode can be set
  - As the initial setting, SCI operation is halted. Register access is enabled by exiting module stop mode.

## 13.1.2 Block Diagram

Figure 13-1 shows a block diagram of the SCI.



**Figure 13-1 Block Diagram of SCI**

### 13.1.3 Pin Configuration

Table 13-1 shows the serial pins for each SCI channel.

**Table 13-1 SCI Pins**

<b>Channel</b>	<b>Pin Name</b>	<b>Symbol*</b>	<b>I/O</b>	<b>Function</b>
0	Serial clock pin 0	SCK0	I/O	SCI0 clock input/output
	Receive data pin 0	RxD0	Input	SCI0 receive data input
	Transmit data pin 0	TxD0	Output	SCI0 transmit data output
1	Serial clock pin 1	SCK1	I/O	SCI1 clock input/output
	Receive data pin 1	RxD1	Input	SCI1 receive data input
	Transmit data pin 1	TxD1	Output	SCI1 transmit data output
2	Serial clock pin 2	SCK2	I/O	SCI2 clock input/output
	Receive data pin 2	RxD2	Input	SCI2 receive data input
	Transmit data pin 2	TxD2	Output	SCI2 transmit data output

Note: \* Pin names SCK, RxD, and TxD are used in the text for all channels, omitting the channel designation.



### 13.1.4 Register Configuration

The SCI has the internal registers shown in table 13-2. These registers are used to specify asynchronous mode or clocked synchronous mode, the data format, and the bit rate, and to control transmitter/receiver.

**Table 13-2 SCI Registers**

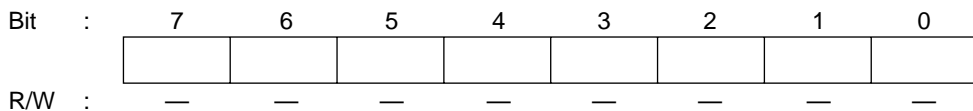
Channel	Name	Abbreviation	R/W	Initial Value	Address*1
0	Serial mode register 0	SMR0	R/W	H'00	H'FF78
	Bit rate register 0	BRR0	R/W	H'FF	H'FF79
	Serial control register 0	SCR0	R/W	H'00	H'FF7A
	Transmit data register 0	TDR0	R/W	H'FF	H'FF7B
	Serial status register 0	SSR0	R/(W)*2	H'84	H'FF7C
	Receive data register 0	RDR0	R	H'00	H'FF7D
	Smart card mode register 0	SCMR0	R/W	H'F2	H'FF7E
1	Serial mode register 1	SMR1	R/W	H'00	H'FF80
	Bit rate register 1	BRR1	R/W	H'FF	H'FF81
	Serial control register 1	SCR1	R/W	H'00	H'FF82
	Transmit data register 1	TDR1	R/W	H'FF	H'FF83
	Serial status register 1	SSR1	R/(W)*2	H'84	H'FF84
	Receive data register 1	RDR1	R	H'00	H'FF85
	Smart card mode register 1	SCMR1	R/W	H'F2	H'FF86
2	Serial mode register 2	SMR2	R/W	H'00	H'FF88
	Bit rate register 2	BRR2	R/W	H'FF	H'FF89
	Serial control register 2	SCR2	R/W	H'00	H'FF8A
	Transmit data register 2	TDR2	R/W	H'FF	H'FF8B
	Serial status register 2	SSR2	R/(W)*2	H'84	H'FF8C
	Receive data register 2	RDR2	R	H'00	H'FF8D
	Smart card mode register 2	SCMR2	R/W	H'F2	H'FF8E
All	Module stop control register B	MSTPCRB	R/W	H'FF	H'FDE9

Notes: \*1 Lower 16 bits of the address.

\*2 Only 0 can be written, for flag clearing.

## 13.2 Register Descriptions

### 13.2.1 Receive Shift Register (RSR)

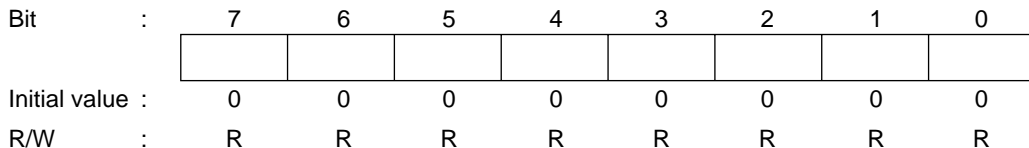


RSR is a register used to receive serial data.

The SCI sets serial data input from the RxD pin in RSR in the order received, starting with the LSB (bit 0), and converts it to parallel data. When one byte of data has been received, it is transferred to RDR automatically.

RSR cannot be directly read or written to by the CPU.

### 13.2.2 Receive Data Register (RDR)



RDR is a register that stores received serial data.

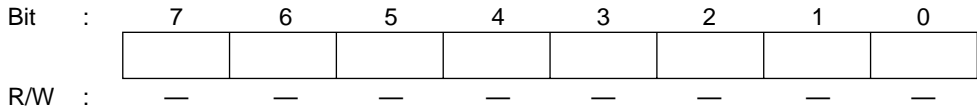
When the SCI has received one byte of serial data, it transfers the received serial data from RSR to RDR where it is stored, and completes the receive operation. After this, RSR is receive-enabled.

Since RSR and RDR function as a double buffer in this way, enables continuous receive operations to be performed.

RDR is a read-only register, and cannot be written to by the CPU.

RDR is initialized to H'00 by a reset, in standby mode, watch mode, subactive mode, subsleep mode, or module stop mode.

### 13.2.3 Transmit Shift Register (TSR)



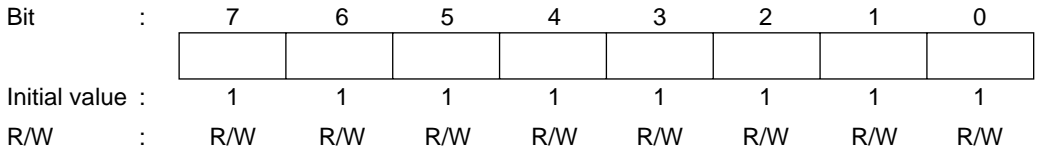
TSR is a register used to transmit serial data.

To perform serial data transmission, the SCI first transfers transmit data from TDR to TSR, then sends the data to the TxD pin starting with the LSB (bit 0).

When transmission of one byte is completed, the next transmit data is transferred from TDR to TSR, and transmission started, automatically. However, data transfer from TDR to TSR is not performed if the TDRE bit in SSR is set to 1.

TSR cannot be directly read or written to by the CPU.

### 13.2.4 Transmit Data Register (TDR)



TDR is an 8-bit register that stores data for serial transmission.

When the SCI detects that TSR is empty, it transfers the transmit data written in TDR to TSR and starts serial transmission. Continuous serial transmission can be carried out by writing the next transmit data to TDR during serial transmission of the data in TSR.

TDR can be read or written to by the CPU at all times.

TDR is initialized to H'FF by a reset, in standby mode, watch mode, subactive mode, subsleep mode, or module stop mode.

### 13.2.5 Serial Mode Register (SMR)

Bit	:	7	6	5	4	3	2	1	0
		C/ $\bar{A}$	CHR	PE	O/ $\bar{E}$	STOP	MP	CKS1	CKS0
Initial value	:	0	0	0	0	0	0	0	0
R/W	:	R/W	R/W	R/W	R/W	R/W	R/W	R/W	R/W

SMR is an 8-bit register used to set the SCI's serial transfer format and select the baud rate generator clock source.

SMR can be read or written to by the CPU at all times.

SMR is initialized to H'00 by a reset and in hardware standby mode. It retains its previous state in module stop mode, software standby mode, watch mode, subactive mode, and subsleep mode.

**Bit 7—Communication Mode (C/ $\bar{A}$ ):** Selects asynchronous mode or clocked synchronous mode as the SCI operating mode.

#### Bit 7

C/ $\bar{A}$	Description
0	Asynchronous mode (Initial value)
1	Clocked synchronous mode

**Bit 6—Character Length (CHR):** Selects 7 or 8 bits as the data length in asynchronous mode. In clocked synchronous mode, a fixed data length of 8 bits is used regardless of the CHR setting.

#### Bit 6

CHR	Description
0	8-bit data (Initial value)
1	7-bit data*

Note: \* When 7-bit data is selected, the MSB (bit 7) of TDR is not transmitted, and it is not possible to choose between LSB-first or MSB-first transfer.

**Bit 5—Parity Enable (PE):** In asynchronous mode, selects whether or not parity bit addition is performed in transmission, and parity bit checking in reception. In clocked synchronous mode with a multiprocessor format, parity bit addition and checking is not performed, regardless of the PE bit setting.

#### Bit 5

PE	Description
0	Parity bit addition and checking disabled (Initial value)
1	Parity bit addition and checking enabled*

Note:\* When the PE bit is set to 1, the parity (even or odd) specified by the  $O/\bar{E}$  bit is added to transmit data before transmission. In reception, the parity bit is checked for the parity (even or odd) specified by the  $O/\bar{E}$  bit.

**Bit 4—Parity Mode ( $O/\bar{E}$ ):** Selects either even or odd parity for use in parity addition and checking.

The  $O/\bar{E}$  bit setting is only valid when the PE bit is set to 1, enabling parity bit addition and checking, in asynchronous mode. The  $O/\bar{E}$  bit setting is invalid in clocked synchronous mode, when parity addition and checking is disabled in asynchronous mode, and when a multiprocessor format is used.

#### Bit 4

$O/\bar{E}$	Description
0	Even parity* <sup>1</sup> (Initial value)
1	Odd parity* <sup>2</sup>

Notes: \*1 When even parity is set, parity bit addition is performed in transmission so that the total number of 1 bits in the transmit character plus the parity bit is even.

In reception, a check is performed to see if the total number of 1 bits in the receive character plus the parity bit is even.

\*2 When odd parity is set, parity bit addition is performed in transmission so that the total number of 1 bits in the transmit character plus the parity bit is odd.

In reception, a check is performed to see if the total number of 1 bits in the receive character plus the parity bit is odd.

**Bit 3—Stop Bit Length (STOP):** Selects 1 or 2 bits as the stop bit length in asynchronous mode. The STOP bits setting is only valid in asynchronous mode. If clocked synchronous mode is set the STOP bit setting is invalid since stop bits are not added.

### Bit 3

STOP	Description
0	1 stop bit: In transmission, a single 1 bit (stop bit) is added to the end of a transmit character before it is sent. (Initial value)
1	2 stop bits: In transmission, two 1 bits (stop bits) are added to the end of a transmit character before it is sent.

In reception, only the first stop bit is checked, regardless of the STOP bit setting. If the second stop bit is 1, it is treated as a stop bit; if it is 0, it is treated as the start bit of the next transmit character.

**Bit 2—Multiprocessor Mode (MP):** Selects multiprocessor format. When multiprocessor format is selected, the PE bit and  $O/\bar{E}$  bit parity settings are invalid. The MP bit setting is only valid in asynchronous mode; it is invalid in clocked synchronous mode.

For details of the multiprocessor communication function, see section 13.3.3, Multiprocessor Communication Function.

### Bit 2

MP	Description
0	Multiprocessor function disabled (Initial value)
1	Multiprocessor format selected

**Bits 1 and 0—Clock Select 1 and 0 (CKS1, CKS0):** These bits select the clock source for the baud rate generator. The clock source can be selected from  $\emptyset$ ,  $\emptyset/4$ ,  $\emptyset/16$ , and  $\emptyset/64$ , according to the setting of bits CKS1 and CKS0.

For the relation between the clock source, the bit rate register setting, and the baud rate, see section 13.2.8, Bit Rate Register (BRR).

Bit 1	Bit 0	Description
CKS1	CKS0	
0	0	$\emptyset$ clock (Initial value)
	1	$\emptyset/4$ clock
1	0	$\emptyset/16$ clock
	1	$\emptyset/64$ clock

### 13.2.6 Serial Control Register (SCR)

Bit	:	7	6	5	4	3	2	1	0
		TIE	RIE	TE	RE	MPIE	TEIE	CKE1	CKE0
Initial value	:	0	0	0	0	0	0	0	0
R/W	:	R/W	R/W	R/W	R/W	R/W	R/W	R/W	R/W

SCR is a register that performs enabling or disabling of SCI transfer operations, serial clock output in asynchronous mode, and interrupt requests, and selection of the serial clock source.

SCR can be read or written to by the CPU at all times.

SCR is initialized to H'00 by a reset and in hardware standby mode. It retains its previous state in module stop mode, software standby mode, watch mode, subactive mode, and subsleep mode.

**Bit 7—Transmit Interrupt Enable (TIE):** Enables or disables transmit data empty interrupt (TXI) request generation when serial transmit data is transferred from TDR to TSR and the TDRE flag in SSR is set to 1.

#### Bit 7

TIE	Description
0	Transmit data empty interrupt (TXI) requests disabled (Initial value)
1	Transmit data empty interrupt (TXI) requests enabled

Note: TXI interrupt request cancellation can be performed by reading 1 from the TDRE flag, then clearing it to 0, or clearing the TIE bit to 0.

**Bit 6—Receive Interrupt Enable (RIE):** Enables or disables receive data full interrupt (RXI) request and receive error interrupt (ERI) request generation when serial receive data is transferred from RSR to RDR and the RDRF flag in SSR is set to 1.

#### Bit 6

RIE	Description
0	Receive data full interrupt (RXI) request and receive error interrupt (ERI) request disabled* (Initial value)
1	Receive data full interrupt (RXI) request and receive error interrupt (ERI) request enabled

Note:\* RXI and ERI interrupt request cancellation can be performed by reading 1 from the RDRF flag, or the FER, PER, or ORER flag, then clearing the flag to 0, or clearing the RIE bit to 0.

**Bit 5—Transmit Enable (TE):** Enables or disables the start of serial transmission by the SCI.

#### Bit 5

TE	Description
0	Transmission disabled* <sup>1</sup> (Initial value)
1	Transmission enabled* <sup>2</sup>

Notes: \*<sup>1</sup> The TDRE flag in SSR is fixed at 1.

\*<sup>2</sup> In this state, serial transmission is started when transmit data is written to TDR and the TDRE flag in SSR is cleared to 0.

SMR setting must be performed to decide the transfer format before setting the TE bit to 1.

**Bit 4—Receive Enable (RE):** Enables or disables the start of serial reception by the SCI.

#### Bit 4

RE	Description
0	Reception disabled* <sup>1</sup> (Initial value)
1	Reception enabled* <sup>2</sup>

Notes: \*<sup>1</sup> Clearing the RE bit to 0 does not affect the RDRF, FER, PER, and ORER flags, which retain their states.

\*<sup>2</sup> Serial reception is started in this state when a start bit is detected in asynchronous mode or serial clock input is detected in clocked synchronous mode.

SMR setting must be performed to decide the transfer format before setting the RE bit to 1.



**Bit 3—Multiprocessor Interrupt Enable (MPIE):** Enables or disables multiprocessor interrupts. The MPIE bit setting is only valid in asynchronous mode when the MP bit in SMR is set to 1.

The MPIE bit setting is invalid in clocked synchronous mode or when the MP bit is cleared to 0.

### Bit 3

MPIE	Description
0	Multiprocessor interrupts disabled (normal reception performed) (Initial value) [Clearing conditions] <ul style="list-style-type: none"> <li>• When the MPIE bit is cleared to 0</li> <li>• When MPB= 1 data is received</li> </ul>
1	Multiprocessor interrupts enabled* Receive interrupt (RXI) requests, receive error interrupt (ERI) requests, and setting of the RDRF, FER, and ORER flags in SSR are disabled until data with the multiprocessor bit set to 1 is received.

Note: \* When receive data including MPB = 0 is received, receive data transfer from RSR to RDR, receive error detection, and setting of the RDRF, FER, and ORER flags in SSR, is not performed. When receive data including MPB = 1 is received, the MPB bit in SSR is set to 1, the MPIE bit is cleared to 0 automatically, and generation of RXI and ERI interrupts (when the TIE and RIE bits in SCR are set to 1) and FER and ORER flag setting is enabled.

**Bit 2—Transmit End Interrupt Enable (TEIE):** Enables or disables transmit end interrupt (TEI) request generation when there is no valid transmit data in TDR in MSB data transmission.

### Bit 2

TEIE	Description
0	Transmit end interrupt (TEI) request disabled* (Initial value)
1	Transmit end interrupt (TEI) request enabled*

Note: \* TEI cancellation can be performed by reading 1 from the TDRE flag in SSR, then clearing it to 0 and clearing the TEND flag to 0, or clearing the TEIE bit to 0.

**Bits 1 and 0—Clock Enable 1 and 0 (CKE1, CKE0):** These bits are used to select the SCI clock source and enable or disable clock output from the SCK pin. The combination of the CKE1 and CKE0 bits determines whether the SCK pin functions as an I/O port, the serial clock output pin, or the serial clock input pin.

The setting of the CKE0 bit, however, is only valid for internal clock operation (CKE1 = 0) in asynchronous mode. The CKE0 bit setting is invalid in clocked synchronous mode, and in the case of external clock operation (CKE1 = 1). Note that the SCI's operating mode must be decided using SMR before setting the CKE1 and CKE0 bits.

For details of clock source selection, see table 13.9 in section 13.3, Operation.

Bit 1	Bit 0	Description	
CKE1	CKE0		
0	0	Asynchronous mode	Internal clock/SCK pin functions as I/O port* <sup>1</sup>
		Clocked synchronous mode	Internal clock/SCK pin functions as serial clock output* <sup>1</sup>
	1	Asynchronous mode	Internal clock/SCK pin functions as clock output* <sup>2</sup>
		Clocked synchronous mode	Internal clock/SCK pin functions as serial clock output
1	0	Asynchronous mode	External clock/SCK pin functions as clock input* <sup>3</sup>
		Clocked synchronous mode	External clock/SCK pin functions as serial clock input
	1	Asynchronous mode	External clock/SCK pin functions as clock input* <sup>3</sup>
		Clocked synchronous mode	External clock/SCK pin functions as serial clock input

Notes: \*1 Initial value

\*2 Outputs a clock of the same frequency as the bit rate.

\*3 Inputs a clock with a frequency 16 times the bit rate.

### 13.2.7 Serial Status Register (SSR)

Bit	:	7	6	5	4	3	2	1	0
		TDRE	RDRF	ORER	FER	PER	TEND	MPB	MPBT
Initial value	:	1	0	0	0	0	1	0	0
R/W	:	R/(W)*	R/(W)*	R/(W)*	R/(W)*	R/(W)*	R	R	R/W

Note: \* Only 0 can be written, for flag clearing.

SSR is an 8-bit register containing status flags that indicate the operating status of the SCI, and multiprocessor bits.

SSR can be read or written to by the CPU at all times. However, 1 cannot be written to flags TDRE, RDRF, ORER, PER, and FER. Also note that in order to clear these flags they must be read as 1 beforehand. The TEND flag and MPB flag are read-only flags and cannot be modified.

SSR is initialized to H'84 by a reset, in standby mode, watch mode, subactive mode, subsleep mode, or module stop mode.

**Bit 7—Transmit Data Register Empty (TDRE):** Indicates that data has been transferred from TDR to TSR and the next serial data can be written to TDR.

#### Bit 7

TDRE	Description
0	[Clearing conditions] <ul style="list-style-type: none"> <li>When 0 is written to TDRE after reading TDRE = 1</li> <li>When the DTC is activated by a TXI interrupt and writes data to TDR</li> </ul>
1	[Setting conditions] (Initial value) <ul style="list-style-type: none"> <li>When the TE bit in SCR is 0</li> <li>When data is transferred from TDR to TSR and data can be written to TDR</li> </ul>

**Bit 6—Receive Data Register Full (RDRF):** Indicates that the received data is stored in RDR.

#### Bit 6

RDRF	Description
0	[Clearing conditions] (Initial value) <ul style="list-style-type: none"><li>• When 0 is written to RDRF after reading RDRF = 1</li><li>• When the DTC is activated by an RXI interrupt and reads data from RDR</li></ul>
1	[Setting condition] When serial reception ends normally and receive data is transferred from RSR to RDR

Note: RDR and the RDRF flag are not affected and retain their previous values when an error is detected during reception or when the RE bit in SCR is cleared to 0.

If reception of the next data is completed while the RDRF flag is still set to 1, an overrun error will occur and the receive data will be lost.

**Bit 5—Overrun Error (ORER):** Indicates that an overrun error occurred during reception, causing abnormal termination.

#### Bit 5

ORER	Description
0	[Clearing condition] (Initial value)* <sup>1</sup> When 0 is written to ORER after reading ORER = 1
1	[Setting condition] When the next serial reception is completed while RDRF = 1* <sup>2</sup>

Notes: \*<sup>1</sup> The ORER flag is not affected and retains its previous state when the RE bit in SCR is cleared to 0.

\*<sup>2</sup> The receive data prior to the overrun error is retained in RDR, and the data received subsequently is lost. Also, subsequent serial reception cannot be continued while the ORER flag is set to 1. In clocked synchronous mode, serial transmission cannot be continued, either.

**Bit 4—Framing Error (FER):** Indicates that a framing error occurred during reception in asynchronous mode, causing abnormal termination.

#### Bit 4

FER	Description
0	[Clearing condition] (Initial value)* <sup>1</sup> When 0 is written to FER after reading FER = 1
1	[Setting condition] When the SCI checks whether the stop bit at the end of the receive data when reception ends, and the stop bit is 0 * <sup>2</sup>

Notes: \*1 The FER flag is not affected and retains its previous state when the RE bit in SCR is cleared to 0.

\*2 In 2-stop-bit mode, only the first stop bit is checked for a value of 0; the second stop bit is not checked. If a framing error occurs, the receive data is transferred to RDR but the RDRF flag is not set. Also, subsequent serial reception cannot be continued while the FER flag is set to 1. In clocked synchronous mode, serial transmission cannot be continued, either.

**Bit 3—Parity Error (PER):** Indicates that a parity error occurred during reception using parity addition in asynchronous mode, causing abnormal termination.

#### Bit 3

PER	Description
0	[Clearing condition] (Initial value)* <sup>1</sup> When 0 is written to PER after reading PER = 1
1	[Setting condition] When, in reception, the number of 1 bits in the receive data plus the parity bit does not match the parity setting (even or odd) specified by the O/ $\bar{E}$ bit in SMR* <sup>2</sup>

Notes: \*1 The PER flag is not affected and retains its previous state when the RE bit in SCR is cleared to 0.

\*2 If a parity error occurs, the receive data is transferred to RDR but the RDRF flag is not set. Also, subsequent serial reception cannot be continued while the PER flag is set to 1. In clocked synchronous mode, serial transmission cannot be continued, either.

**Bit 2—Transmit End (TEND):** Indicates that there is no valid data in TDR when the last bit of the transmit character is sent, and transmission has been ended.

The TEND flag is read-only and cannot be modified.

#### Bit 2

TEND	Description
0	[Clearing conditions] <ul style="list-style-type: none"> <li>When 0 is written to TDRE after reading TDRE = 1</li> <li>When the DTC is activated by a TXI interrupt and writes data to TDR</li> </ul>
1	[Setting conditions] (Initial value) <ul style="list-style-type: none"> <li>When the TE bit in SCR is 0</li> <li>When TDRE = 1 at transmission of the last bit of a 1-byte serial transmit character</li> </ul>

**Bit 1—Multiprocessor Bit (MPB):** When reception is performed using multiprocessor format in asynchronous mode, MPB stores the multiprocessor bit in the receive data.

MPB is a read-only bit, and cannot be modified.

#### Bit 1

MPB	Description
0	[Clearing condition] (Initial value)* When data with a 0 multiprocessor bit is received
1	[Setting condition] When data with a 1 multiprocessor bit is received

Note: \* Retains its previous state when the RE bit in SCR is cleared to 0 with multiprocessor format.

**Bit 0—Multiprocessor Bit Transfer (MPBT):** When transmission is performed using multiprocessor format in asynchronous mode, MPBT stores the multiprocessor bit to be added to the transmit data.

The MPBT bit setting is invalid when multiprocessor format is not used, when not transmitting, and in clocked synchronous mode.

#### Bit 0

MPBT	Description
0	Data with a 0 multiprocessor bit is transmitted (Initial value)
1	Data with a 1 multiprocessor bit is transmitted

### 13.2.8 Bit Rate Register (BRR)

Bit	:	7	6	5	4	3	2	1	0
Initial value	:	1	1	1	1	1	1	1	1
R/W	:	R/W	R/W	R/W	R/W	R/W	R/W	R/W	R/W

BRR is an 8-bit register that sets the serial transfer bit rate in accordance with the baud rate generator operating clock selected by bits CKS1 and CKS0 in SMR.

BRR can be read or written to by the CPU at all times.

BRR is initialized to H'FF by a reset and in hardware standby mode. It retains its previous state in module stop mode, software standby mode, watch mode, subactive mode, and subsleep mode.

As baud rate generator control is performed independently for each channel, different values can be set for each channel.

Table 13-3 shows sample BRR settings in asynchronous mode, and table 13-4 shows sample BRR settings in clocked synchronous mode.

**Table 13-3 BRR Settings for Various Bit Rates (Asynchronous Mode)**

Bit Rate (bit/s)	$\phi = 4 \text{ MHz}$			$\phi = 4.9152 \text{ MHz}$			$\phi = 5 \text{ MHz}$		
	n	N	Error (%)	n	N	Error (%)	n	N	Error (%)
110	2	70	0.03	2	86	0.31	2	88	-0.25
150	1	207	0.16	1	255	0.00	2	64	0.16
300	1	103	0.16	1	127	0.00	1	129	0.16
600	0	207	0.16	0	255	0.00	1	64	0.16
1200	0	103	0.16	0	127	0.00	0	129	0.16
2400	0	51	0.16	0	63	0.00	0	64	0.16
4800	0	25	0.16	0	31	0.00	0	32	-1.36
9600	0	12	0.16	0	15	0.00	0	15	1.73
19200	—	—	—	0	7	0.00	0	7	1.73
31250	0	3	0.00	0	4	-1.70	0	4	0.00
38400	—	—	—	0	3	0.00	0	3	1.73

Bit Rate (bit/s)	$\phi = 6 \text{ MHz}$			$\phi = 6.144 \text{ MHz}$			$\phi = 7.3728 \text{ MHz}$			$\phi = 8 \text{ MHz}$		
	n	N	Error (%)	n	N	Error (%)	n	N	Error (%)	n	N	Error (%)
110	2	106	-0.44	2	108	0.08	2	130	-0.07	2	141	0.03
150	2	77	0.16	2	79	0.00	2	95	0.00	2	103	0.16
300	1	155	0.16	1	159	0.00	1	191	0.00	1	207	0.16
600	1	77	0.16	1	79	0.00	1	95	0.00	1	103	0.16
1200	0	155	0.16	0	159	0.00	0	191	0.00	0	207	0.16
2400	0	77	0.16	0	79	0.00	0	95	0.00	0	103	0.16
4800	0	38	0.16	0	39	0.00	0	47	0.00	0	51	0.16
9600	0	19	-2.34	0	19	0.00	0	23	0.00	0	25	0.16
19200	0	9	-2.34	0	9	0.00	0	11	0.00	0	12	0.16
31250	0	5	0.00	0	5	2.40	—	—	—	0	7	0.00
38400	0	4	-2.34	0	4	0.00	0	5	0.00	—	—	—



Bit Rate (bit/s)	$\phi = 9.8304$ MHz			$\phi = 10$ MHz			$\phi = 12$ MHz			$\phi = 12.288$ MHz		
	n	N	Error (%)	n	N	Error (%)	n	N	Error (%)	n	N	Error (%)
110	2	174	-0.26	2	177	-0.25	2	212	0.03	2	217	0.08
150	2	127	0.00	2	129	0.16	2	155	0.16	2	159	0.00
300	1	255	0.00	2	64	0.16	2	77	0.16	2	79	0.00
600	1	127	0.00	1	129	0.16	1	155	0.16	1	159	0.00
1200	0	255	0.00	1	64	0.16	1	77	0.16	1	79	0.00
2400	0	127	0.00	0	129	0.16	0	155	0.16	0	159	0.00
4800	0	63	0.00	0	64	0.16	0	77	0.16	0	79	0.00
9600	0	31	0.00	0	32	-1.36	0	38	0.16	0	39	0.00
19200	0	15	0.00	0	15	1.73	0	19	-2.34	0	19	0.00
31250	0	9	-1.70	0	9	0.00	0	11	0.00	0	11	2.40
38400	0	7	0.00	0	7	1.73	0	9	-2.34	0	9	0.00

Bit Rate (bit/s)	$\phi = 14$ MHz			$\phi = 14.7456$ MHz			$\phi = 16$ MHz			$\phi = 17.2032$ MHz		
	n	N	Error (%)	n	N	Error (%)	n	N	Error (%)	n	N	Error (%)
110	2	248	-0.17	3	64	0.70	3	70	0.03	3	75	0.48
150	2	181	0.13	2	191	0.00	2	207	0.13	2	223	0.00
300	2	90	0.13	2	95	0.00	2	103	0.13	2	111	0.00
600	1	181	0.13	1	191	0.00	1	207	0.13	1	223	0.00
1200	1	90	0.13	1	95	0.00	1	103	0.13	1	111	0.00
2400	0	181	0.13	0	191	0.00	0	207	0.13	0	223	0.00
4800	0	90	0.13	0	95	0.00	0	103	0.13	0	111	0.00
9600	0	45	-0.93	0	47	0.00	0	51	0.13	0	55	0.00
19200	0	22	-0.93	0	23	0.00	0	25	0.13	0	27	0.00
31250	0	13	0.00	0	14	-1.70	0	15	0.00	0	13	1.20
38400	—	—	—	0	11	0.00	0	12	0.13	0	13	0.00

Bit Rate (bit/s)	$\phi = 18$ MHz			$\phi = 19.6608$ MHz			$\phi = 20$ MHz		
	n	N	Error (%)	n	N	Error (%)	n	N	Error (%)
110	3	79	-0.12	3	86	0.31	3	88	-0.25
150	2	233	0.16	2	255	0.00	3	64	0.16
300	2	116	0.16	2	127	0.00	2	129	0.16
600	1	233	0.16	1	255	0.00	2	64	0.16
1200	1	116	0.16	1	127	0.00	1	129	0.16
2400	0	233	0.16	0	255	0.00	1	64	0.16
4800	0	116	0.16	0	127	0.00	0	129	0.16
9600	0	58	-0.69	0	63	0.00	0	64	0.16
19200	0	28	1.02	0	31	0.00	0	32	-1.36
31250	0	17	0.00	0	19	-1.70	0	19	0.00
38400	0	14	-2.34	0	15	0.00	0	15	1.73

**Table 13-4 BRR Settings for Various Bit Rates (Clocked Synchronous Mode)**

Bit Rate (bit/s)	ø = 4 MHz		ø = 8 MHz		ø = 10 MHz		ø = 16 MHz		ø = 20 MHz	
	n	N	n	N	n	N	n	N	n	N
110	—	—								
250	2	249	3	124	—	—	3	249		
500	2	124	2	249	—	—	3	124	—	—
1 k	1	249	2	124	—	—	2	249	—	—
2.5 k	1	99	1	199	1	249	2	99	2	124
5 k	0	199	1	99	1	124	1	199	1	249
10 k	0	99	0	199	0	249	1	99	1	124
25 k	0	39	0	79	0	99	0	159	0	199
50 k	0	19	0	39	0	49	0	79	0	99
100 k	0	9	0	19	0	24	0	39	0	49
250 k	0	3	0	7	0	9	0	15	0	19
500 k	0	1	0	3	0	4	0	7	0	9
1 M	0	0*	0	1			0	3	0	4
2.5 M					0	0*			0	1
5 M									0	0*

Note: As far as possible, the setting should be made so that the error is no more than 1%.

**Legend**

Blank : Cannot be set.

— : Can be set, but there will be a degree of error.

\* : Continuous transfer is not possible.

The BRR setting is found from the following formulas.

Asynchronous mode:

$$N = \frac{\phi}{64 \times 2^{2n-1} \times B} \times 10^6 - 1$$

Clocked synchronous mode:

$$N = \frac{\phi}{8 \times 2^{2n-1} \times B} \times 10^6 - 1$$

Where B: Bit rate (bit/s)

N: BRR setting for baud rate generator ( $0 \leq N \leq 255$ )

$\phi$ : Operating frequency (MHz)

n: Baud rate generator input clock (n = 0 to 3)

(See the table below for the relation between n and the clock.)

n	Clock	SMR Setting	
		CKS1	CKS0
0	$\phi$	0	0
1	$\phi/4$	0	1
2	$\phi/16$	1	0
3	$\phi/64$	1	1

The bit rate error in asynchronous mode is found from the following formula:

$$\text{Error (\%)} = \left\{ \frac{\phi \times 10^6}{(N + 1) \times B \times 64 \times 2^{2n-1}} - 1 \right\} \times 100$$

Table 13-5 shows the maximum bit rate for each frequency in asynchronous mode. Tables 13-6 and 13-7 show the maximum bit rates with external clock input.

**Table 13-5 Maximum Bit Rate for Each Frequency (Asynchronous Mode)**

<b>ø (MHz)</b>	<b>Maximum Bit Rate (bit/s)</b>	<b>n</b>	<b>N</b>
4	125000	0	0
4.9152	153600	0	0
5	156250	0	0
6	187500	0	0
6.144	192000	0	0
7.3728	230400	0	0
8	250000	0	0
9.8304	307200	0	0
10	312500	0	0
12	375000	0	0
12.288	384000	0	0
14	437500	0	0
14.7456	460800	0	0
16	500000	0	0
17.2032	537600	0	0
18	562500	0	0
19.6608	614400	0	0
20	625000	0	0

**Table 13-6 Maximum Bit Rate with External Clock Input (Asynchronous Mode)**

$\phi$ (MHz)	External Input Clock (MHz)	Maximum Bit Rate (bit/s)
4	1.0000	62500
4.9152	1.2288	76800
5	1.2500	78125
6	1.5000	93750
6.144	1.5360	96000
7.3728	1.8432	115200
8	2.0000	125000
9.8304	2.4576	153600
10	2.5000	156250
12	3.0000	187500
12.288	3.0720	192000
14	3.5000	218750
14.7456	3.6864	230400
16	4.0000	250000
17.2032	4.3008	268800
18	4.5000	281250
19.6608	4.9152	307200
20	5.0000	312500

**Table 13-7 Maximum Bit Rate with External Clock Input (Clocked Synchronous Mode)**

$\phi$ (MHz)	External Input Clock (MHz)	Maximum Bit Rate (bit/s)
4	0.6667	666666.7
6	1.0000	1000000.0
8	1.3333	1333333.3
10	1.6667	1666666.7
12	2.0000	2000000.0
14	2.3333	2333333.3
16	2.6667	2666666.7
18	3.0000	3000000.0
20	3.3333	3333333.3

### 13.2.9 Smart Card Mode Register (SCMR)

Bit	:	7	6	5	4	3	2	1	0
		—	—	—	—	SDIR	SINV	—	SMIF
Initial value	:	1	1	1	1	0	0	1	0
R/W	:	—	—	—	—	R/W	R/W	—	R/W

SCMR selects LSB-first or MSB-first by means of bit SDIR. Except in the case of asynchronous mode 7-bit data, LSB-first or MSB-first can be selected regardless of the serial communication mode. The descriptions in this chapter refer to LSB-first transfer.

For details of the other bits in SCMR, see 14.2.1, Smart Card Mode Register (SCMR).

SCMR is initialized to HF2 by a reset and in hardware standby mode. It retains its previous state in module stop mode, software standby mode, watch mode, subactive mode, and subsleep mode.

**Bits 7 to 4—Reserved:** These bits are always read as 1 and cannot be modified.

**Bit 3—Smart Card Data Transfer Direction (SDIR):** Selects the serial/parallel conversion format.

This bit is valid when 8-bit data is used as the transmit/receive format.

#### Bit 3

SDIR	Description
0	TDR contents are transmitted LSB-first Receive data is stored in RDR LSB-first (Initial value)
1	TDR contents are transmitted MSB-first Receive data is stored in RDR MSB-first

**Bit 2—Smart Card Data Invert (SINV):** Specifies inversion of the data logic level. The SINV bit does not affect the logic level of the parity bit(s): parity bit inversion requires inversion of the  $O/\bar{E}$  bit in SMR.

**Bit 2**

SINV	Description	
0	TDR contents are transmitted without modification Receive data is stored in RDR without modification	(Initial value)
1	TDR contents are inverted before being transmitted Receive data is stored in RDR in inverted form	

**Bit 1—Reserved:** This bit is always read as 1 and cannot be modified.

**Bit 0—Smart Card Interface Mode Select (SMIF):** When the smart card interface operates as a normal SCI, 0 should be written in this bit.

**Bit 0**

SMIF	Description	
0	Operates as normal SCI (smart card interface function disabled)	(Initial value)
1	Smart card interface function enabled	

**13.2.10 Module Stop Control Register B (MSTPCRB)**

**MSTPCRB**

Bit	:	7	6	5	4	3	2	1	0
		MSTPB7	MSTPB6	MSTPB5	MSTPB4	MSTPB3	MSTPB2	MSTPB1	MSTPB0
Initial value	:	1	1	1	1	1	1	1	1
R/W	:	R/W	R/W	R/W	R/W	R/W	R/W	R/W	R/W

MSTPCRB is 8-bit readable/writable registers that perform module stop mode control.

When one of bits MSTPB7 to MSTPB5 is set to 1, SCI0, SCI1, or SCI2, respectively, stops operation at the end of the bus cycle, and enters module stop mode. For details, see sections 21A.5, 21B.5, Module Stop Mode.

MSTPCRB is initialized to H'FF by a reset and in hardware standby mode. They are not initialized in software standby mode.



**Bit 7—Module Stop (MSTPB7):** Specifies the SCI0 module stop mode.

**Bit 7**

<b>MSTPB7</b>	<b>Description</b>	
0	SCI0 module stop mode is cleared	
1	SCI0 module stop mode is set	(Initial value)

**Bit 6—Module Stop (MSTPB6):** Specifies the SCI1 module stop mode.

**Bit 6**

<b>MSTPB6</b>	<b>Description</b>	
0	SCI1 module stop mode is cleared	
1	SCI1 module stop mode is set	(Initial value)

**Bit 5—Module Stop (MSTPB5):** Specifies the SCI2 module stop mode.

**Bit 5**

<b>MSTPB5</b>	<b>Description</b>	
0	SCI2 module stop mode is cleared	
1	SCI2 module stop mode is set	(Initial value)

## 13.3 Operation

### 13.3.1 Overview

The SCI can carry out serial communication in two modes: asynchronous mode in which synchronization is achieved character by character, and clocked synchronous mode in which synchronization is achieved with clock pulses.

Selection of asynchronous or clocked synchronous mode and the transmission format is made using SMR as shown in table 13-8. The SCI clock is determined by a combination of the  $C/\bar{A}$  bit in SMR and the CKE1 and CKE0 bits in SCR, as shown in table 13-9.

#### Asynchronous Mode

- Data length: Choice of 7 or 8 bits
- Choice of parity addition, multiprocessor bit addition, and addition of 1 or 2 stop bits (the combination of these parameters determines the transfer format and character length)
- Detection of framing, parity, and overrun errors, and breaks, during reception
- Choice of internal or external clock as SCI clock source
  - When internal clock is selected:  
The SCI operates on the baud rate generator clock and a clock with the same frequency as the bit rate can be output
  - When external clock is selected:  
A clock with a frequency of 16 times the bit rate must be input (the on-chip baud rate generator is not used)

#### Clocked Synchronous Mode

- Transfer format: Fixed 8-bit data
- Detection of overrun errors during reception
- Choice of internal or external clock as SCI clock source
  - When internal clock is selected:  
The SCI operates on the baud rate generator clock and a serial clock is output off-chip
  - When external clock is selected:  
The on-chip baud rate generator is not used, and the SCI operates on the input serial clock

**Table 13-8 SMR Settings and Serial Transfer Format Selection**

SMR Settings						SCI Transfer Format				
Bit 7	Bit 6	Bit 2	Bit 5	Bit 3	Mode	Data Length	Multi Processor Bit	Parity Bit	Stop Bit Length	
C/ $\bar{A}$	CHR	MP	PE	STOP						
0	0	0	0	0	Asynchronous mode	8-bit data	No	No	1 bit	
				1					2 bits	
				0					1 bit	
				1					2 bits	
				0					1 bit	
				1					2 bits	
	1	0	0	0	Asynchronous mode (multi-processor format)	7-bit data	Yes	No	1 bit	
									1	2 bits
									0	1 bit
									1	2 bits
									0	1 bit
									1	2 bits
1	—	—	—	Clocked synchronous mode	8-bit data	No	No	None		

**Table 13-9 SMR and SCR Settings and SCI Clock Source Selection**

SMR	SCR Setting			SCI Transmit/Receive Clock	
Bit 7	Bit 1	Bit 0	Mode	Clock Source	SCK Pin Function
C/ $\bar{A}$	CKE1	CKE0			
0	0	0	Asynchronous mode	Internal	SCI does not use SCK pin
		1			Outputs clock with same frequency as bit rate
	1	0	Clocked synchronous mode	External	Inputs clock with frequency of 16 times the bit rate
		1			
1	0	0	Clocked synchronous mode	Internal	Outputs serial clock
		1			
	1	0	Clocked synchronous mode	External	Inputs serial clock
		1			

### 13.3.2 Operation in Asynchronous Mode

In asynchronous mode, characters are sent or received, each preceded by a start bit indicating the start of communication and stop bits indicating the end of communication. Serial communication is thus carried out with synchronization established on a character-by-character basis.

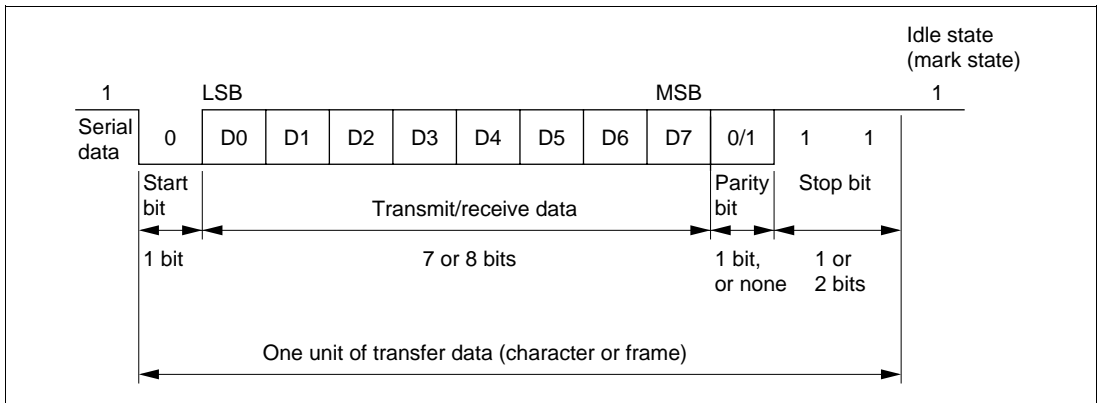
Inside the SCI, the transmitter and receiver are independent units, enabling full-duplex communication. Both the transmitter and the receiver also have a double-buffered structure, so that data can be read or written during transmission or reception, enabling continuous data transfer.

Figure 13-2 shows the general format for asynchronous serial communication.

In asynchronous serial communication, the transmission line is usually held in the mark state (high level). The SCI monitors the transmission line, and when it goes to the space state (low level), recognizes a start bit and starts serial communication.

One serial communication character consists of a start bit (low level), followed by data (in LSB-first order), a parity bit (high or low level), and finally stop bits (high level).

In asynchronous mode, the SCI performs synchronization at the falling edge of the start bit in reception. The SCI samples the data on the 8th pulse of a clock with a frequency of 16 times the length of one bit, so that the transfer data is latched at the center of each bit.



**Figure 13-2 Data Format in Asynchronous Communication  
(Example with 8-Bit Data, Parity, Two Stop Bits)**

**Data Transfer Format:** Table 13-10 shows the data transfer formats that can be used in asynchronous mode. Any of 12 transfer formats can be selected according to the SMR setting.

**Table 13-10 Serial Transfer Formats (Asynchronous Mode)**

SMR Settings				Serial Transfer Format and Frame Length														
CHR	PE	MP	STOP	1	2	3	4	5	6	7	8	9	10	11	12			
0	0	0	0	S	8-bit data								STOP					
0	0	0	1	S	8-bit data								STOP	STOP				
0	1	0	0	S	8-bit data								P	STOP				
0	1	0	1	S	8-bit data								P	STOP	STOP			
1	0	0	0	S	7-bit data							STOP						
1	0	0	1	S	7-bit data							STOP	STOP					
1	1	0	0	S	7-bit data							P	STOP					
1	1	0	1	S	7-bit data							P	STOP	STOP				
0	—	1	0	S	8-bit data								MPB	STOP				
0	—	1	1	S	8-bit data								MPB	STOP	STOP			
1	—	1	0	S	7-bit data							MPB	STOP					
1	—	1	1	S	7-bit data							MPB	STOP	STOP				

**Legend**

S : Start bit

STOP : Stop bit

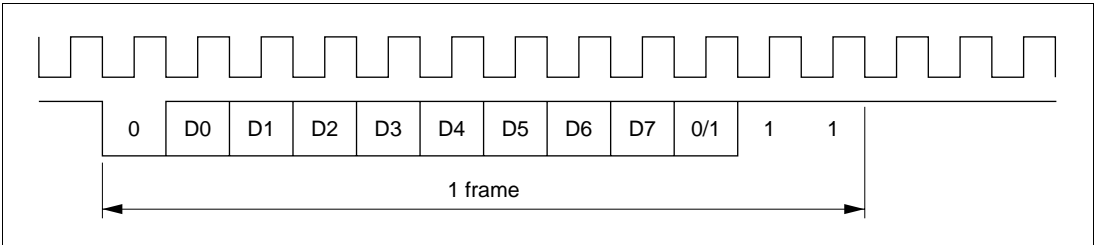
P : Parity bit

MPB : Multiprocessor bit

**Clock:** Either an internal clock generated by the on-chip baud rate generator or an external clock input at the SCK pin can be selected as the SCI's serial clock, according to the setting of the  $C/\overline{A}$  bit in SMR and the CKE1 and CKE0 bits in SCR. For details of SCI clock source selection, see table 13-9.

When an external clock is input at the SCK pin, the clock frequency should be 16 times the bit rate used.

When the SCI is operated on an internal clock, the clock can be output from the SCK pin. The frequency of the clock output in this case is equal to the bit rate, and the phase is such that the rising edge of the clock is in the middle of the transmit data, as shown in figure 13-3.



**Figure 13-3 Relation between Output Clock and Transfer Data Phase (Asynchronous Mode)**

#### **Data Transfer Operations:**

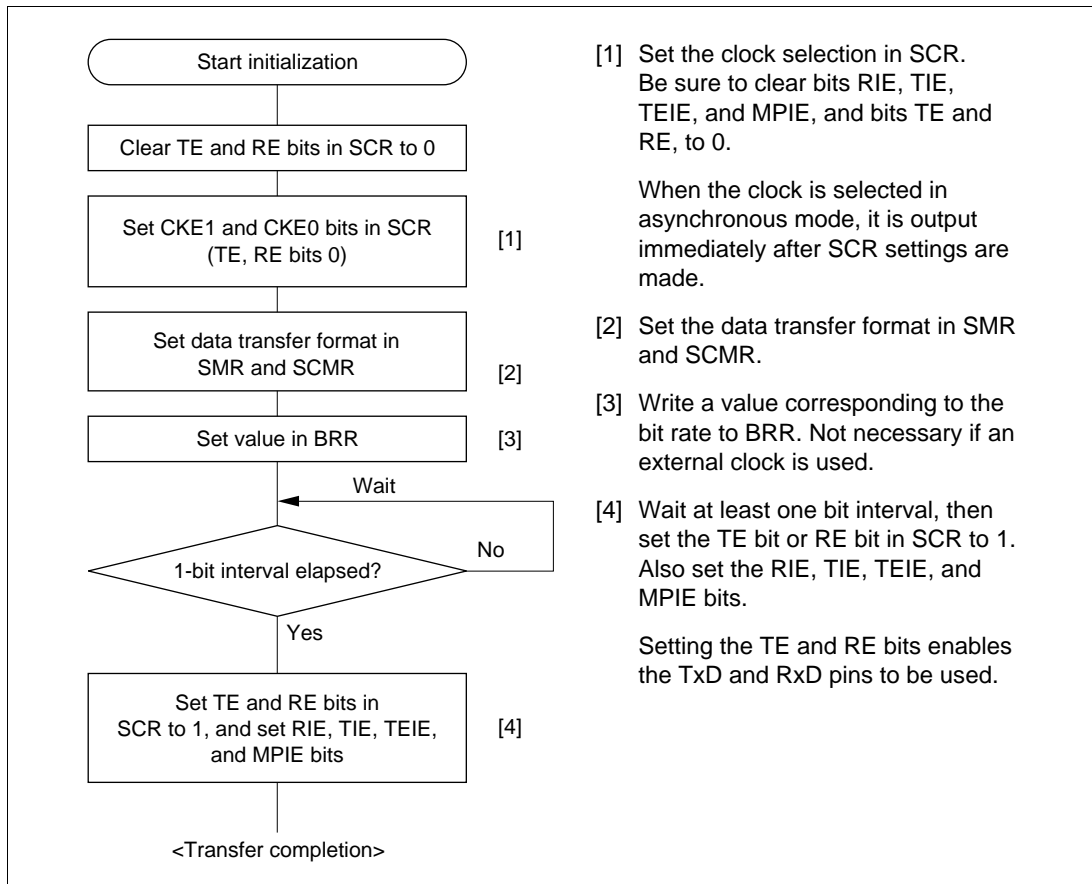
- SCI initialization (asynchronous mode)

Before transmitting and receiving data, you should first clear the TE and RE bits in SCR to 0, then initialize the SCI as described below.

When the operating mode, transfer format, etc., is changed, the TE and RE bits must be cleared to 0 before making the change using the following procedure. When the TE bit is cleared to 0, the TDRE flag is set to 1 and TSR is initialized. Note that clearing the RE bit to 0 does not change the contents of the RDRF, PER, FER, and ORER flags, or the contents of RDR.

When an external clock is used the clock should not be stopped during operation, including initialization, since operation is uncertain.

Figure 13-4 shows a sample SCI initialization flowchart.



**Figure 13-4 Sample SCI Initialization Flowchart**

- Serial data transmission (asynchronous mode)

Figure 13-5 shows a sample flowchart for serial transmission.

The following procedure should be used for serial data transmission.

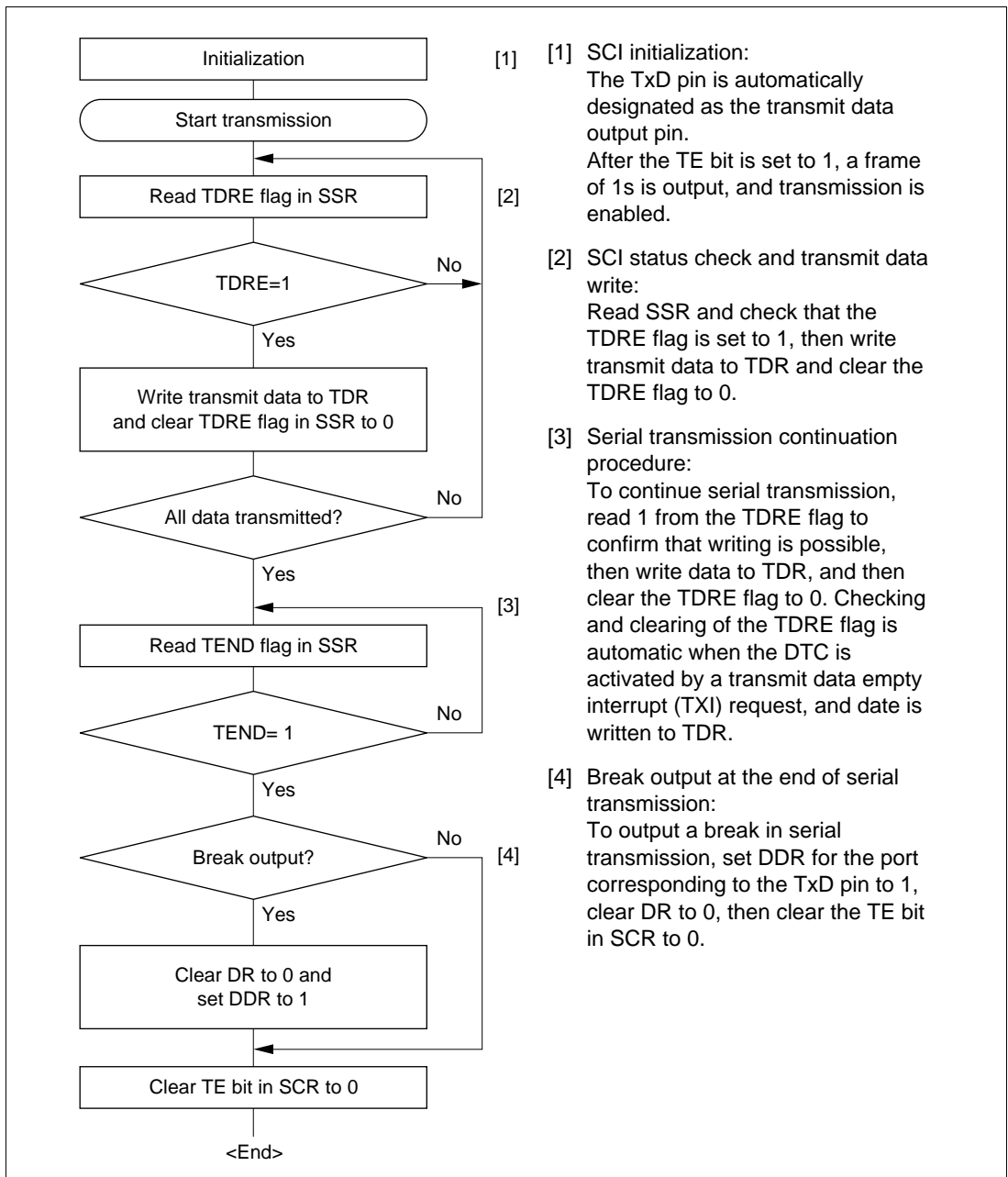


Figure 13-5 Sample Serial Transmission Flowchart



In serial transmission, the SCI operates as described below.

[1] The SCI monitors the TDRE flag in SSR, and if it is 0, recognizes that data has been written to TDR, and transfers the data from TDR to TSR.

[2] After transferring data from TDR to TSR, the SCI sets the TDRE flag to 1 and starts transmission.

If the TIE bit is set to 1 at this time, a transmit data empty interrupt (TXI) is generated.

The serial transmit data is sent from the TxD pin in the following order.

[a] Start bit:

One 0-bit is output.

[b] Transmit data:

8-bit or 7-bit data is output in LSB-first order.

[c] Parity bit or multiprocessor bit:

One parity bit (even or odd parity), or one multiprocessor bit is output.

A format in which neither a parity bit nor a multiprocessor bit is output can also be selected.

[d] Stop bit(s):

One or two 1-bits (stop bits) are output.

[e] Mark state:

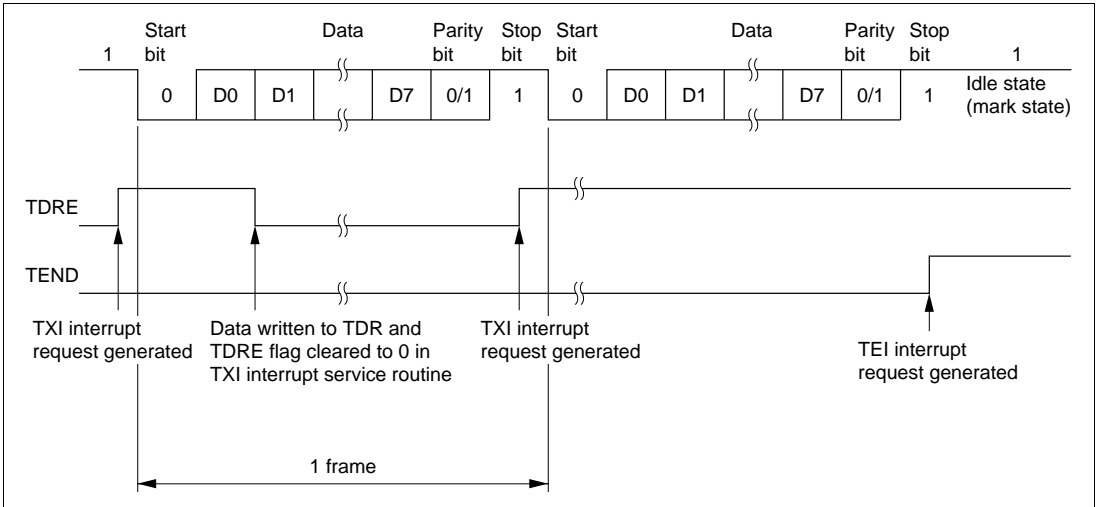
1 is output continuously until the start bit that starts the next transmission is sent.

[3] The SCI checks the TDRE flag at the timing for sending the stop bit.

If the TDRE flag is cleared to 0, the data is transferred from TDR to TSR, the stop bit is sent, and then serial transmission of the next frame is started.

If the TDRE flag is set to 1, the TEND flag in SSR is set to 1, the stop bit is sent, and then the "mark state" is entered in which 1 is output continuously. If the TEIE bit in SCR is set to 1 at this time, a TEI interrupt request is generated.

Figure 13-6 shows an example of the operation for transmission in asynchronous mode.

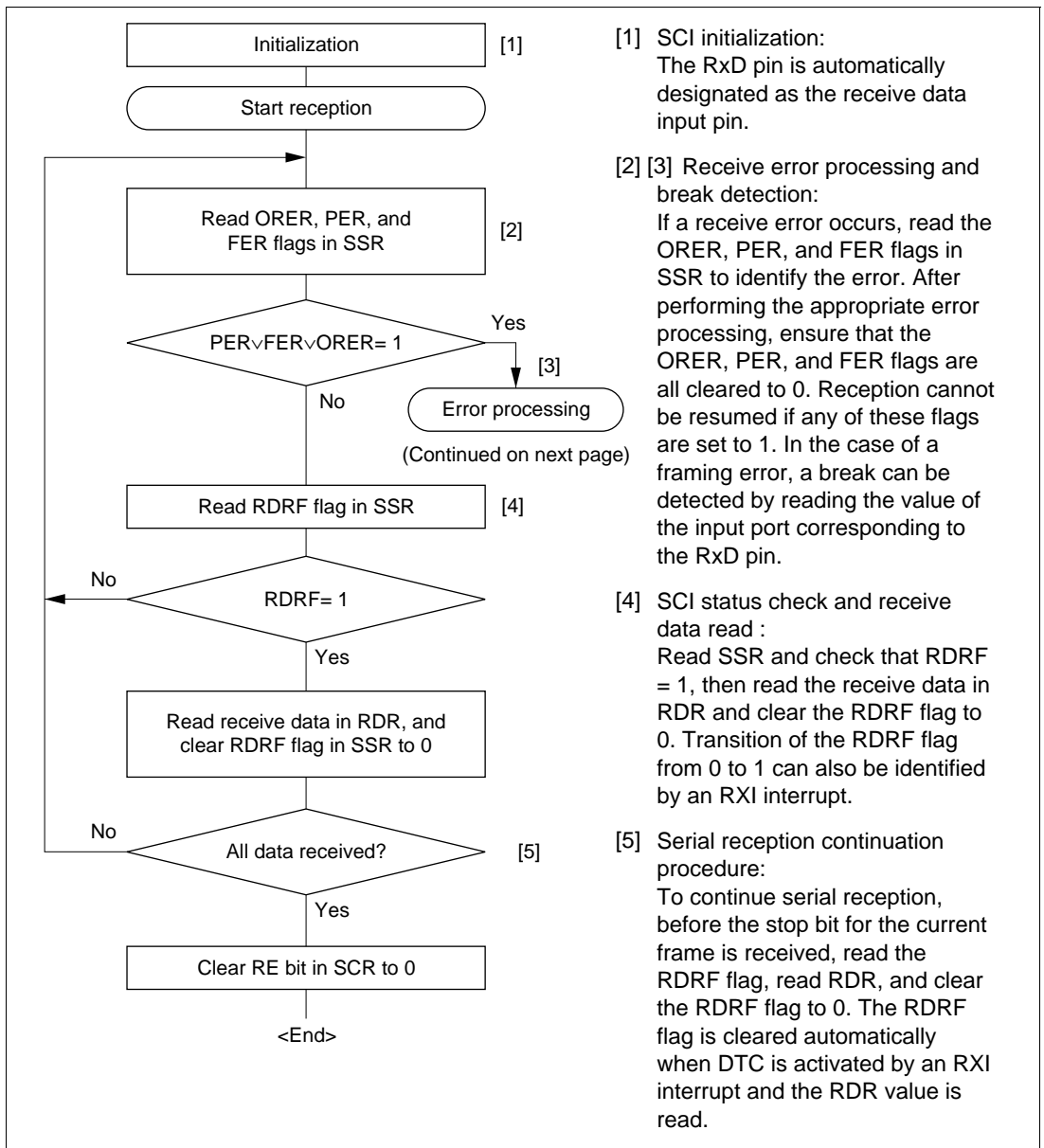


**Figure 13-6 Example of Operation in Transmission in Asynchronous Mode  
(Example with 8-Bit Data, Parity, One Stop Bit)**

- Serial data reception (asynchronous mode)

Figure 13-7 shows a sample flowchart for serial reception.

The following procedure should be used for serial data reception.



**Figure 13-7 Sample Serial Reception Data Flowchart**

[3]

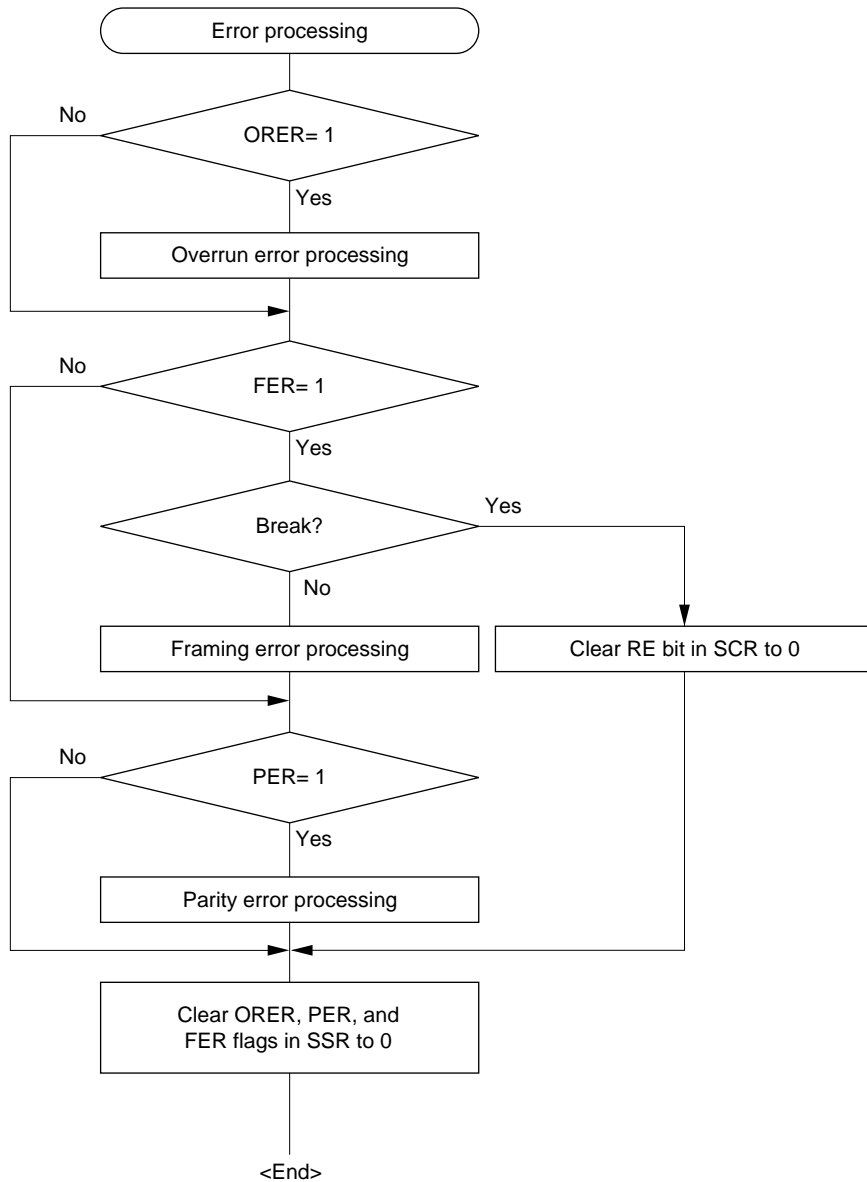


Figure 13-7 Sample Serial Reception Data Flowchart (cont)

In serial reception, the SCI operates as described below.

[1] The SCI monitors the transmission line, and if a 0 stop bit is detected, performs internal synchronization and starts reception.

[2] The received data is stored in RSR in LSB-to-MSB order.

[3] The parity bit and stop bit are received.

After receiving these bits, the SCI carries out the following checks.

[a] Parity check:

The SCI checks whether the number of 1 bits in the receive data agrees with the parity (even or odd) set in the  $O/\bar{E}$  bit in SMR.

[b] Stop bit check:

The SCI checks whether the stop bit is 1.

If there are two stop bits, only the first is checked.

[c] Status check:

The SCI checks whether the RDRF flag is 0, indicating that the receive data can be transferred from RSR to RDR.

If all the above checks are passed, the RDRF flag is set to 1, and the receive data is stored in RDR.

If a receive error\* is detected in the error check, the operation is as shown in table 13-11.

Note: \* Subsequent receive operations cannot be performed when a receive error has occurred.

Also note that the RDRF flag is not set to 1 in reception, and so the error flags must be cleared to 0.

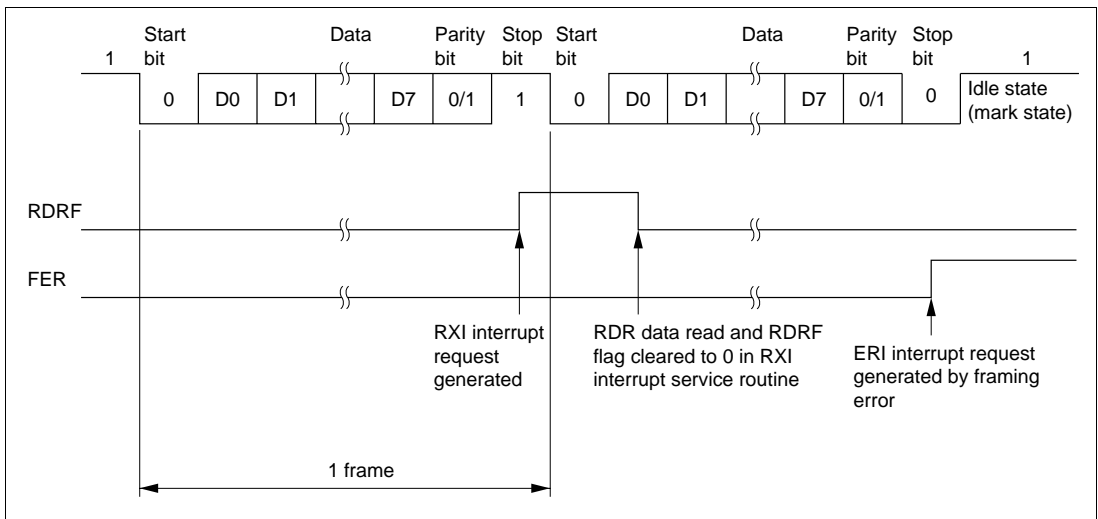
[4] If the RIE bit in SCR is set to 1 when the RDRF flag changes to 1, a receive data full interrupt (RXI) request is generated.

Also, if the RIE bit in SCR is set to 1 when the ORER, PER, or FER flag changes to 1, a receive error interrupt (ERI) request is generated.

**Table 13-11 Receive Errors and Conditions for Occurrence**

Receive Error	Abbreviation	Occurrence Condition	Data Transfer
Overrun error	ORER	When the next data reception is completed while the RDRF flag in SSR is set to 1	Receive data is not transferred from RSR to RDR.
Framing error	FER	When the stop bit is 0	Receive data is transferred from RSR to RDR.
Parity error	PER	When the received data differs from the parity (even or odd) set in SMR	Receive data is transferred from RSR to RDR.

Figure 13-8 shows an example of the operation for reception in asynchronous mode.



**Figure 13-8 Example of SCI Operation in Reception  
(Example with 8-Bit Data, Parity, One Stop Bit)**

### 13.3.3 Multiprocessor Communication Function

The multiprocessor communication function performs serial communication using the multiprocessor format, in which a multiprocessor bit is added to the transfer data, in asynchronous mode. Use of this function enables data transfer to be performed among a number of processors sharing transmission lines.

When multiprocessor communication is carried out, each receiving station is addressed by a unique ID code.

The serial communication cycle consists of two component cycles: an ID transmission cycle which specifies the receiving station, and a data transmission cycle. The multiprocessor bit is used to differentiate between the ID transmission cycle and the data transmission cycle.

The transmitting station first sends the ID of the receiving station with which it wants to perform serial communication as data with a 1 multiprocessor bit added. It then sends transmit data as data with a 0 multiprocessor bit added.

The receiving station skips the data until data with a 1 multiprocessor bit is sent.

When data with a 1 multiprocessor bit is received, the receiving station compares that data with its own ID. The station whose ID matches then receives the data sent next. Stations whose ID does not match continue to skip the data until data with a 1 multiprocessor bit is again received. In this way, data communication is carried out among a number of processors.

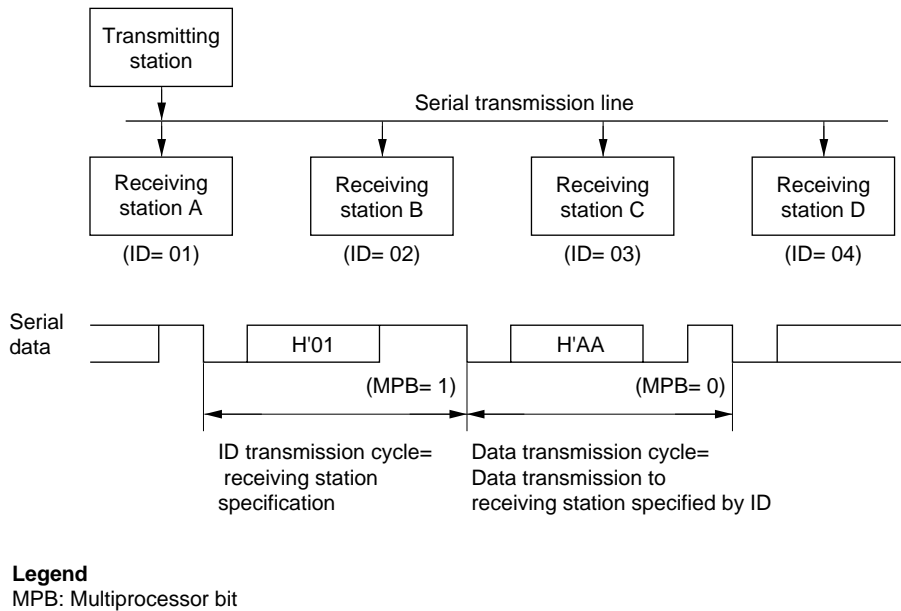
Figure 13-9 shows an example of inter-processor communication using the multiprocessor format.

**Data Transfer Format:** There are four data transfer formats.

When the multiprocessor format is specified, the parity bit specification is invalid.

For details, see table 13-10.

**Clock:** See the section on asynchronous mode.

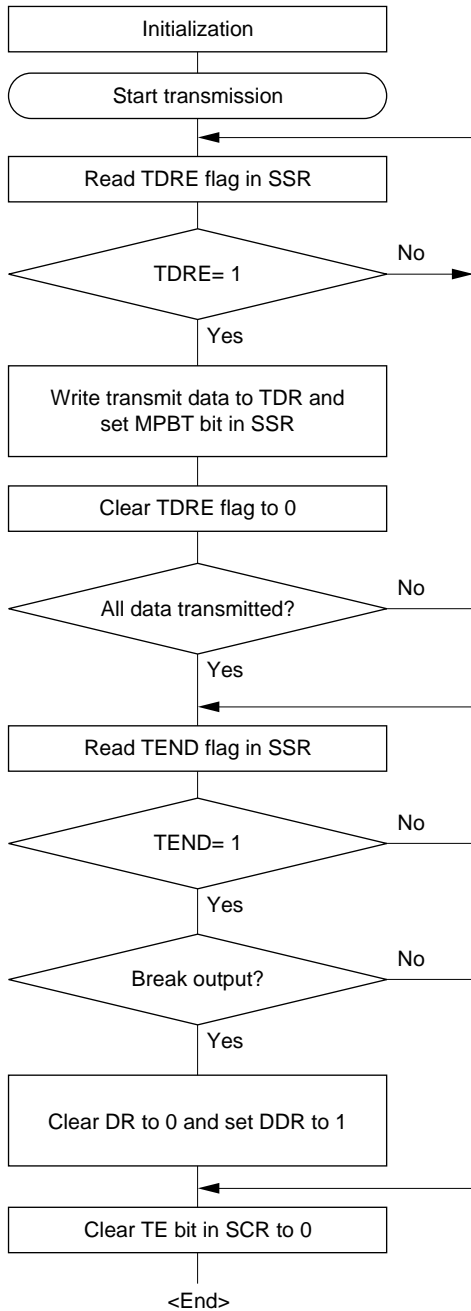


**Figure 13-9 Example of Inter-Processor Communication Using Multiprocessor Format (Transmission of Data H'AA to Receiving Station A)**

### Data Transfer Operations:

- Multiprocessor serial data transmission  
Figure 13-10 shows a sample flowchart for multiprocessor serial data transmission. The following procedure should be used for multiprocessor serial data transmission.





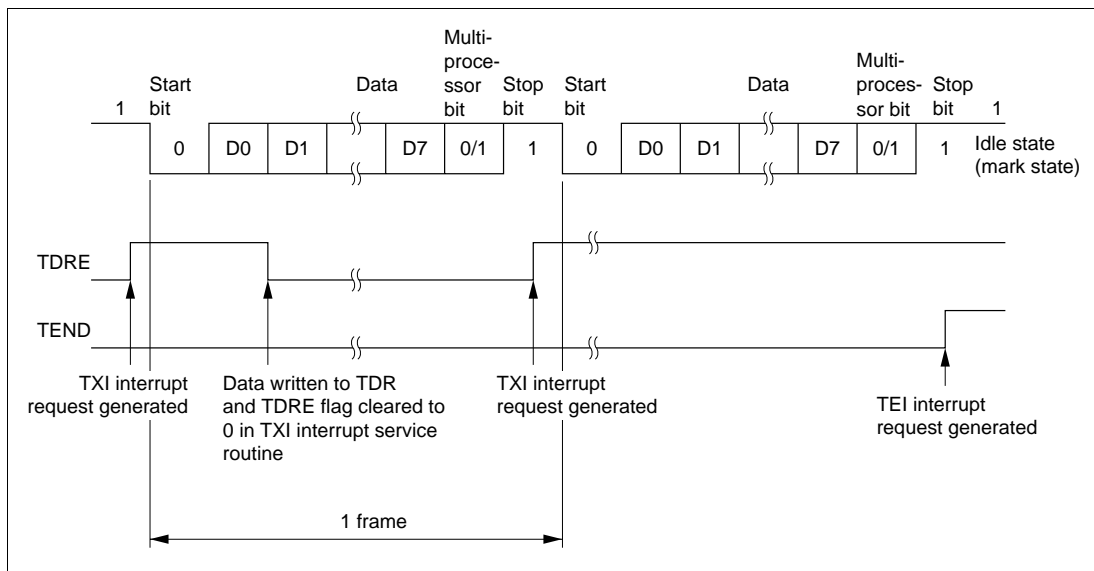
- [1] [1] SCI initialization:  
The TxD pin is automatically designated as the transmit data output pin.  
After the TE bit is set to 1, a frame of 1s is output, and transmission is enabled.
- [2] [2] SCI status check and transmit data write:  
Read SSR and check that the TDRE flag is set to 1, then write transmit data to TDR. Set the MPBT bit in SSR to 0 or 1.  
Finally, clear the TDRE flag to 0.
- [3] [3] Serial transmission continuation procedure:  
To continue serial transmission, be sure to read 1 from the TDRE flag to confirm that writing is possible, then write data to TDR, and then clear the TDRE flag to 0. Checking and clearing of the TDRE flag is automatic when the DTC is activated by a transmit data empty interrupt (TXI) request, and data is written to TDR.
- [4] [4] Break output at the end of serial transmission:  
To output a break in serial transmission, set the port DDR to 1, clear DR to 0, then clear the TE bit in SCR to 0.

**Figure 13-10 Sample Multiprocessor Serial Transmission Flowchart**

In serial transmission, the SCI operates as described below.

- [1] The SCI monitors the TDRE flag in SSR, and if it is 0, recognizes that data has been written to TDR, and transfers the data from TDR to TSR.
- [2] After transferring data from TDR to TSR, the SCI sets the TDRE flag to 1 and starts transmission.  
If the TIE bit in SCR is set to 1 at this time, a transmit data empty interrupt (TXI) is generated. The serial transmit data is sent from the TxD pin in the following order.
  - [a] Start bit:  
One 0-bit is output.
  - [b] Transmit data:  
8-bit or 7-bit data is output in LSB-first order.
  - [c] Multiprocessor bit  
One multiprocessor bit (MPBT value) is output.
  - [d] Stop bit(s):  
One or two 1-bits (stop bits) are output.
  - [e] Mark state:  
1 is output continuously until the start bit that starts the next transmission is sent.
- [3] The SCI checks the TDRE flag at the timing for sending the stop bit.  
If the TDRE flag is cleared to 0, data is transferred from TDR to TSR, the stop bit is sent, and then serial transmission of the next frame is started.  
If the TDRE flag is set to 1, the TEND flag in SSR is set to 1, the stop bit is sent, and then the mark state is entered in which 1 is output continuously. If the TEIE bit in SCR is set to 1 at this time, a transmission end interrupt (TEI) request is generated.

Figure 13-11 shows an example of SCI operation for transmission using the multiprocessor format.

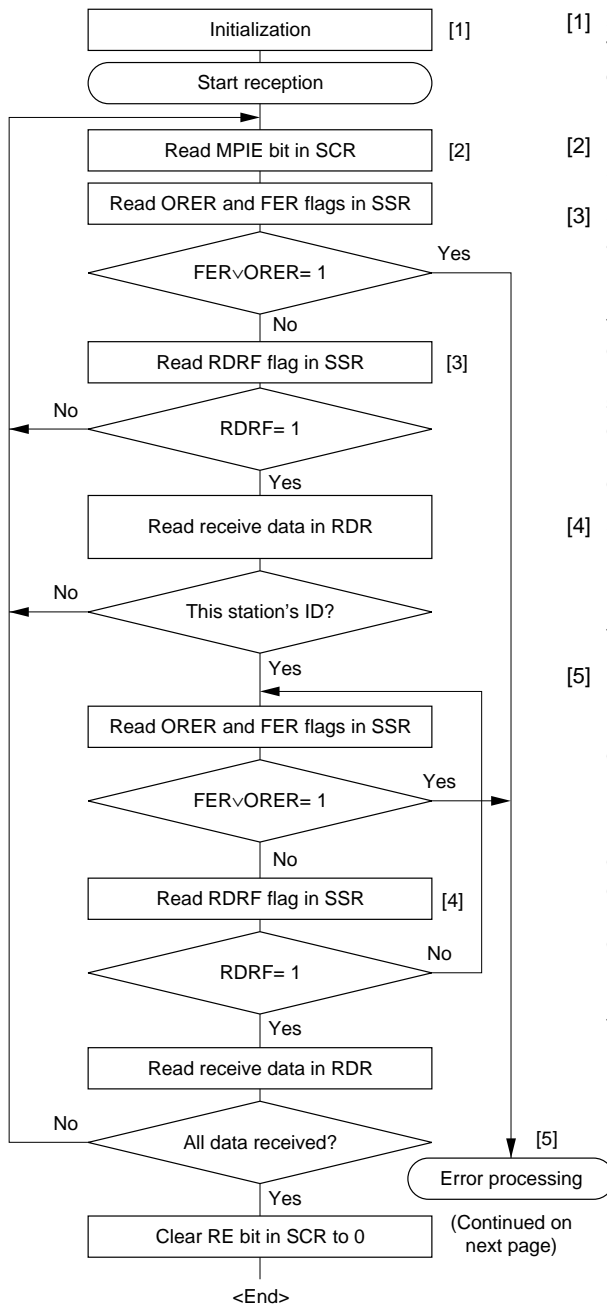


**Figure 13-11 Example of SCI Operation in Transmission  
(Example with 8-Bit Data, Multiprocessor Bit, One Stop Bit)**

- Multiprocessor serial data reception

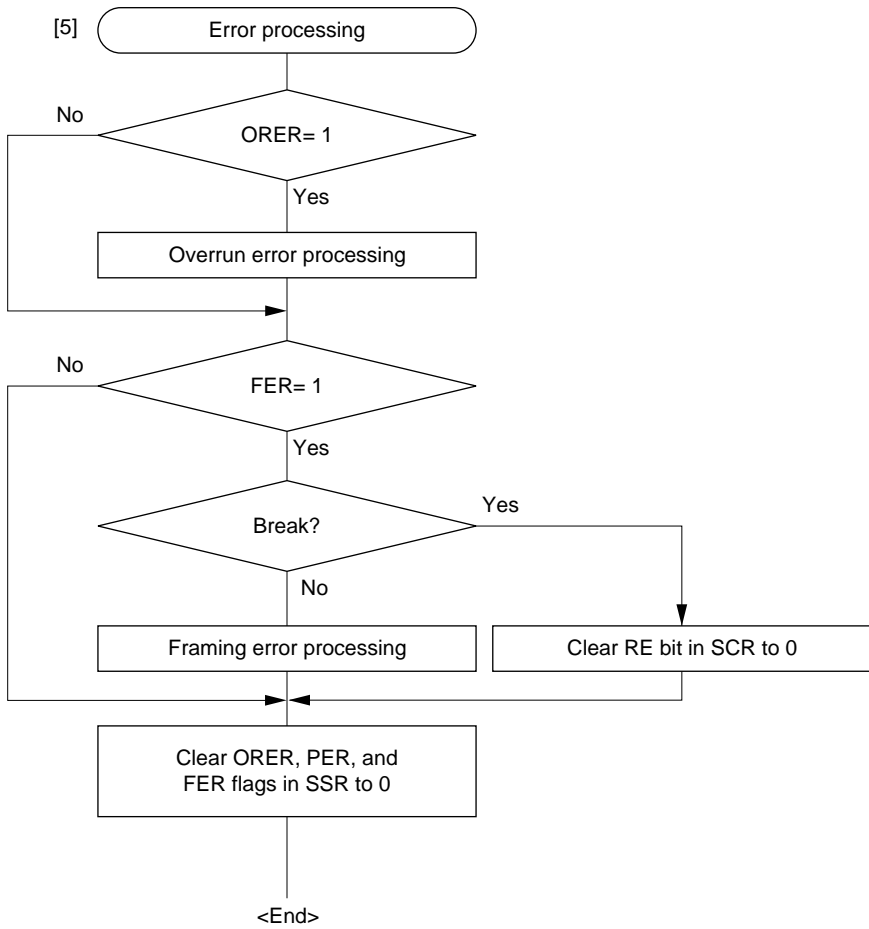
Figure 13-12 shows a sample flowchart for multiprocessor serial reception.

The following procedure should be used for multiprocessor serial data reception.



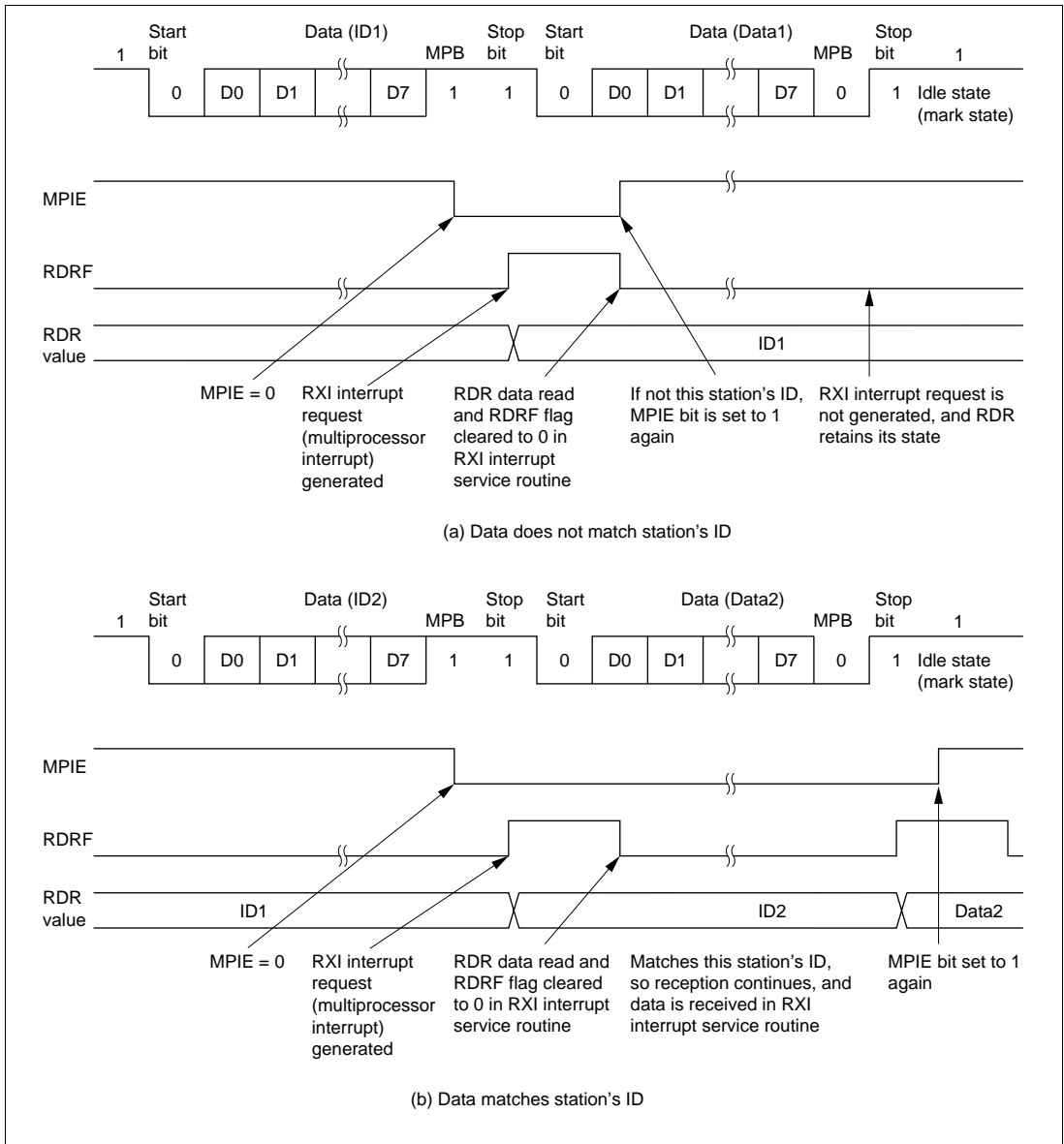
- [1] SCI initialization:  
The RxD pin is automatically designated as the receive data input pin.
- [2] ID reception cycle:  
Set the MPIE bit in SCR to 1.
- [3] SCI status check, ID reception and comparison:  
Read SSR and check that the RDRF flag is set to 1, then read the receive data in RDR and compare it with this station's ID. If the data is not this station's ID, set the MPIE bit to 1 again, and clear the RDRF flag to 0. If the data is this station's ID, clear the RDRF flag to 0.
- [4] SCI status check and data reception:  
Read SSR and check that the RDRF flag is set to 1, then read the data in RDR.
- [5] Receive error processing and break detection:  
If a receive error occurs, read the ORER and FER flags in SSR to identify the error. After performing the appropriate error processing, ensure that the ORER and FER flags are all cleared to 0. Reception cannot be resumed if either of these flags is set to 1. In the case of a framing error, a break can be detected by reading the RxD pin value.

**Figure 13-12 Sample Multiprocessor Serial Reception Flowchart**



**Figure 13-12 Sample Multiprocessor Serial Reception Flowchart (cont)**

Figure 13-13 shows an example of SCI operation for multiprocessor format reception.



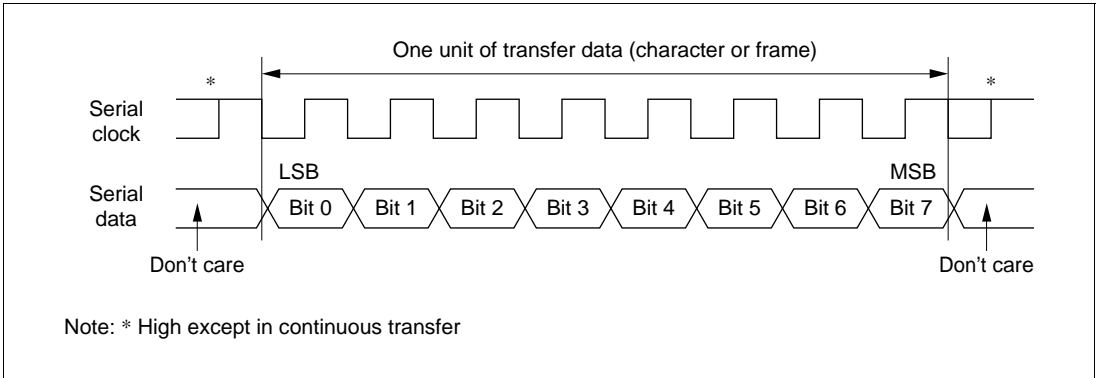
**Figure 13-13 Example of SCI Operation in Reception  
(Example with 8-Bit Data, Multiprocessor Bit, One Stop Bit)**

### 13.3.4 Operation in Clocked Synchronous Mode

In clocked synchronous mode, data is transmitted or received in synchronization with clock pulses, making it suitable for high-speed serial communication.

Inside the SCI, the transmitter and receiver are independent units, enabling full-duplex communication by use of a common clock. Both the transmitter and the receiver also have a double-buffered structure, so that data can be read or written during transmission or reception, enabling continuous data transfer.

Figure 13-14 shows the general format for clocked synchronous serial communication.



**Figure 13-14 Data Format in Synchronous Communication**

In clocked synchronous serial communication, data on the transmission line is output from one falling edge of the serial clock to the next. Data confirmation is guaranteed at the rising edge of the serial clock.

In clocked serial communication, one character consists of data output starting with the LSB and ending with the MSB. After the MSB is output, the transmission line holds the MSB state.

In clocked synchronous mode, the SCI receives data in synchronization with the rising edge of the serial clock.

**Data Transfer Format:** A fixed 8-bit data format is used.

No parity or multiprocessor bits are added.

**Clock:** Either an internal clock generated by the on-chip baud rate generator or an external serial clock input at the SCK pin can be selected, according to the setting of the  $C/\bar{A}$  bit in SMR and the CKE1 and CKE0 bits in SCR. For details of SCI clock source selection, see table 13-9.

When the SCI is operated on an internal clock, the serial clock is output from the SCK pin.

Eight serial clock pulses are output in the transfer of one character, and when no transfer is performed the clock is fixed high. When only receive operations are performed, however, the serial clock is output until an overrun error occurs or the RE bit is cleared to 0. If you want to perform receive operations in units of one character, you should select an external clock as the clock source.

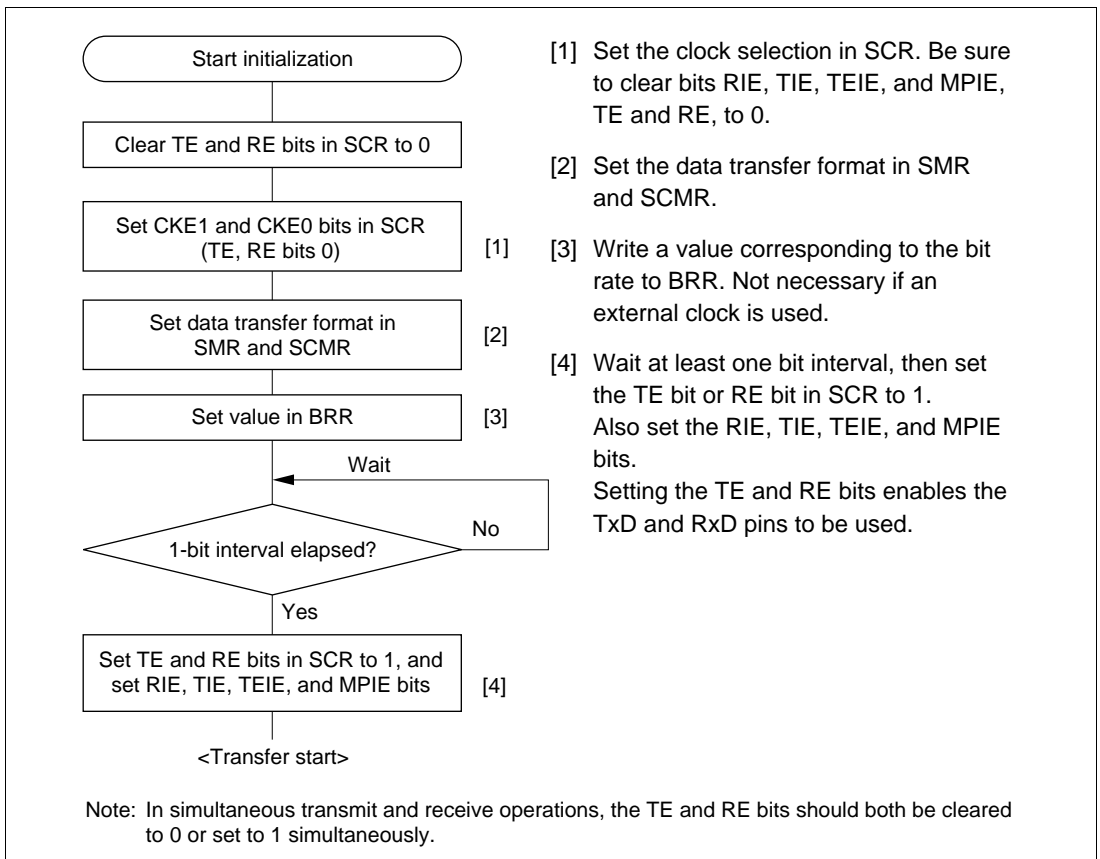
### Data Transfer Operations:

- SCI initialization (clocked synchronous mode)

Before transmitting and receiving data, you should first clear the TE and RE bits in SCR to 0, then initialize the SCI as described below.

When the operating mode, transfer format, etc., is changed, the TE and RE bits must be cleared to 0 before making the change using the following procedure. When the TE bit is cleared to 0, the TDRE flag is set to 1 and TSR is initialized. Note that clearing the RE bit to 0 does not change the contents of the RDRF, PER, FER, and ORER flags, or the contents of RDR.

Figure 13-15 shows a sample SCI initialization flowchart.



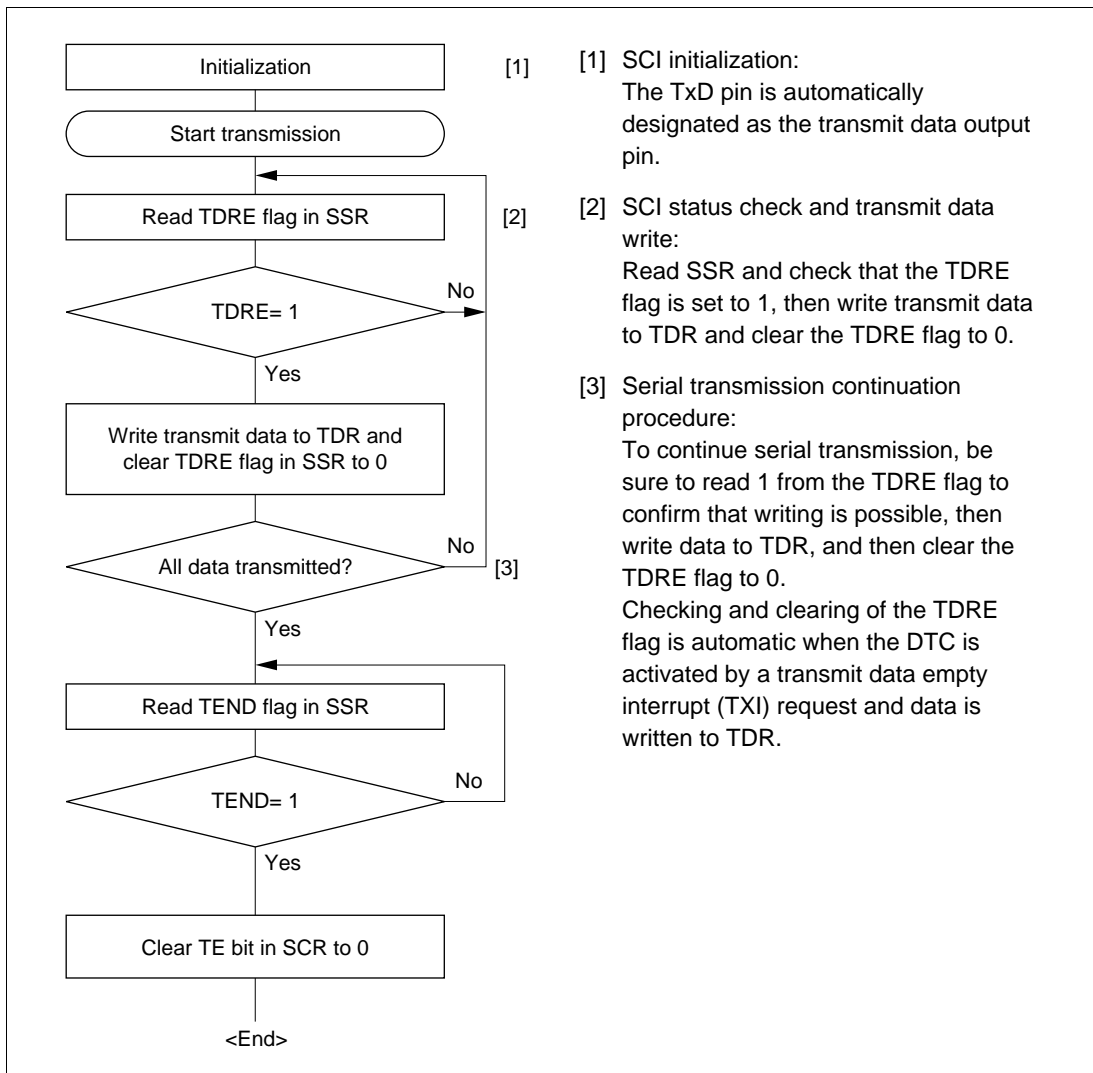
**Figure 13-15 Sample SCI Initialization Flowchart**



- Serial data transmission (clocked synchronous mode)

Figure 13-16 shows a sample flowchart for serial transmission.

The following procedure should be used for serial data transmission.



**Figure 13-16 Sample Serial Transmission Flowchart**

In serial transmission, the SCI operates as described below.

[1] The SCI monitors the TDRE flag in SSR, and if it is 0, recognizes that data has been written to TDR, and transfers the data from TDR to TSR.

[2] After transferring data from TDR to TSR, the SCI sets the TDRE flag to 1 and starts transmission. If the TIE bit in SCR is set to 1 at this time, a transmit data empty interrupt (TXI) is generated.

When clock output mode has been set, the SCI outputs 8 serial clock pulses. When use of an external clock has been specified, data is output synchronized with the input clock.

The serial transmit data is sent from the TxD pin starting with the LSB (bit 0) and ending with the MSB (bit 7).

[3] The SCI checks the TDRE flag at the timing for sending the MSB (bit 7).

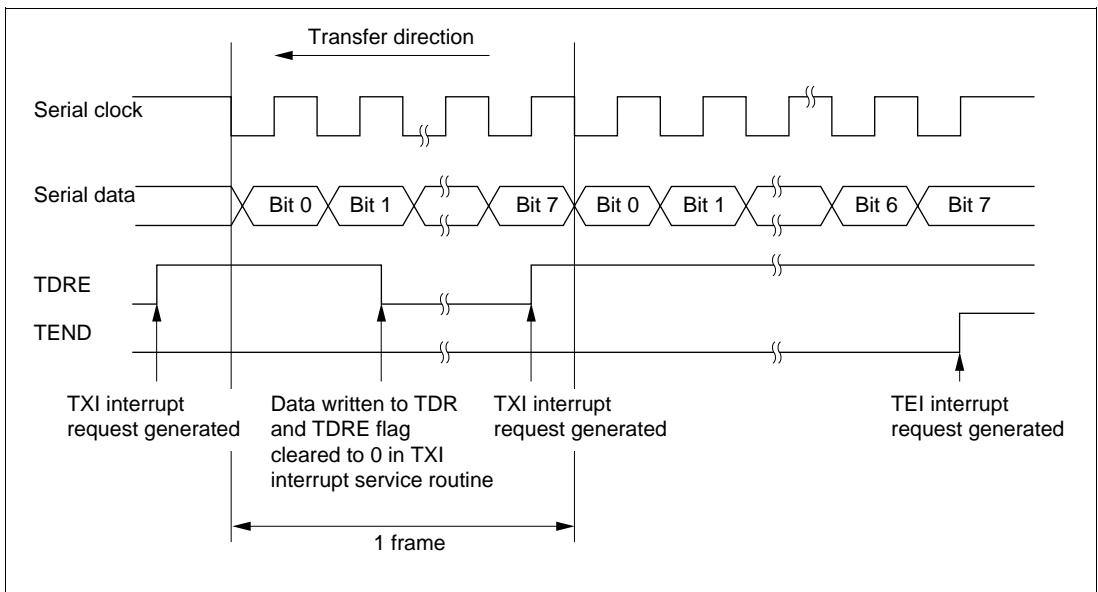
If the TDRE flag is cleared to 0, data is transferred from TDR to TSR, and serial transmission of the next frame is started.

If the TDRE flag is set to 1, the TEND flag in SSR is set to 1, the MSB (bit 7) is sent, and the TxD pin maintains its state.

If the TEIE bit in SCR is set to 1 at this time, a TEI interrupt request is generated.

[4] After completion of serial transmission, the SCK pin is fixed high.

Figure 13-17 shows an example of SCI operation in transmission.



**Figure 13-17 Example of SCI Operation in Transmission**

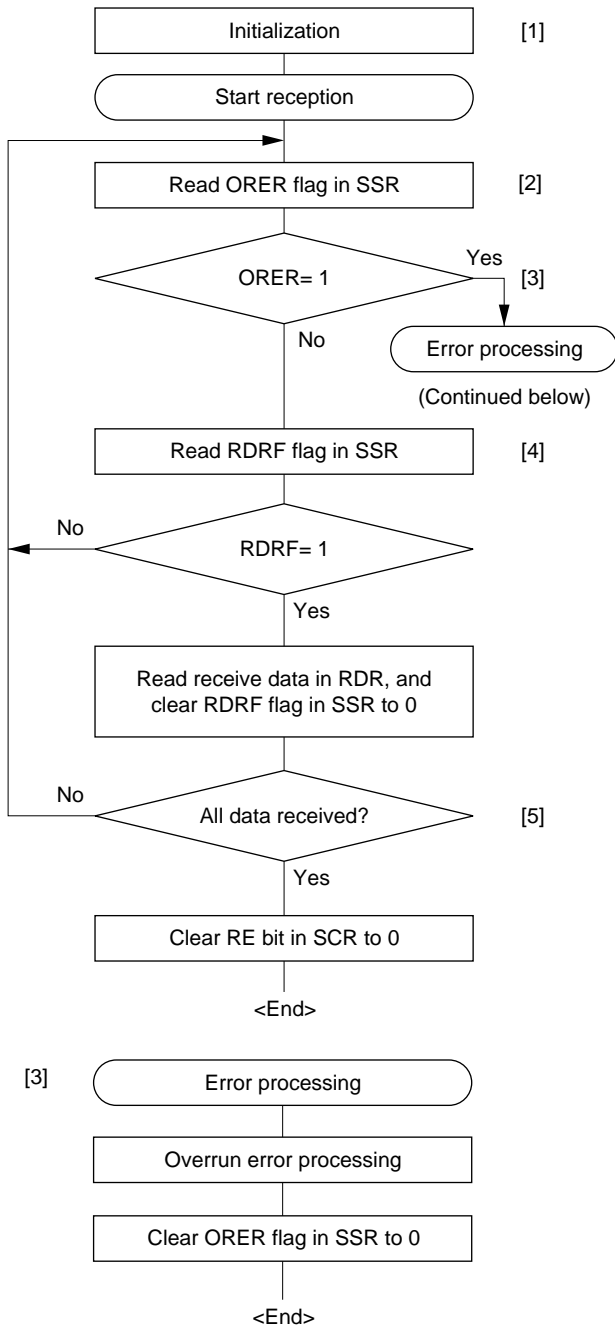
- Serial data reception (clocked synchronous mode)

Figure 13-18 shows a sample flowchart for serial reception.

The following procedure should be used for serial data reception.

When changing the operating mode from asynchronous to clocked synchronous, be sure to check that the ORER, PER, and FER flags are all cleared to 0.

The RDRF flag will not be set if the FER or PER flag is set to 1, and neither transmit nor receive operations will be possible.



- [1] SCI initialization:  
The RxD pin is automatically designated as the receive data input pin.
- [2] [3] Receive error processing:  
If a receive error occurs, read the ORER flag in SSR, and after performing the appropriate error processing, clear the ORER flag to 0. Transfer cannot be resumed if the ORER flag is set to 1.
- [4] SCI status check and receive data read:  
Read SSR and check that the RDRF flag is set to 1, then read the receive data in RDR and clear the RDRF flag to 0. Transition of the RDRF flag from 0 to 1 can also be identified by an RXI interrupt.
- [5] Serial reception continuation procedure:  
To continue serial reception, before the MSB (bit 7) of the current frame is received, finish reading the RDRF flag, reading RDR, and clearing the RDRF flag to 0. The RDRF flag is cleared automatically when the DTC is activated by a receive data full interrupt (RXI) request and the RDR value is read.

**Figure 13-18 Sample Serial Reception Flowchart**

In serial reception, the SCI operates as described below.

[1] The SCI performs internal initialization in synchronization with serial clock input or output.

[2] The received data is stored in RSR in LSB-to-MSB order.

After reception, the SCI checks whether the RDRF flag is 0 and the receive data can be transferred from RSR to RDR.

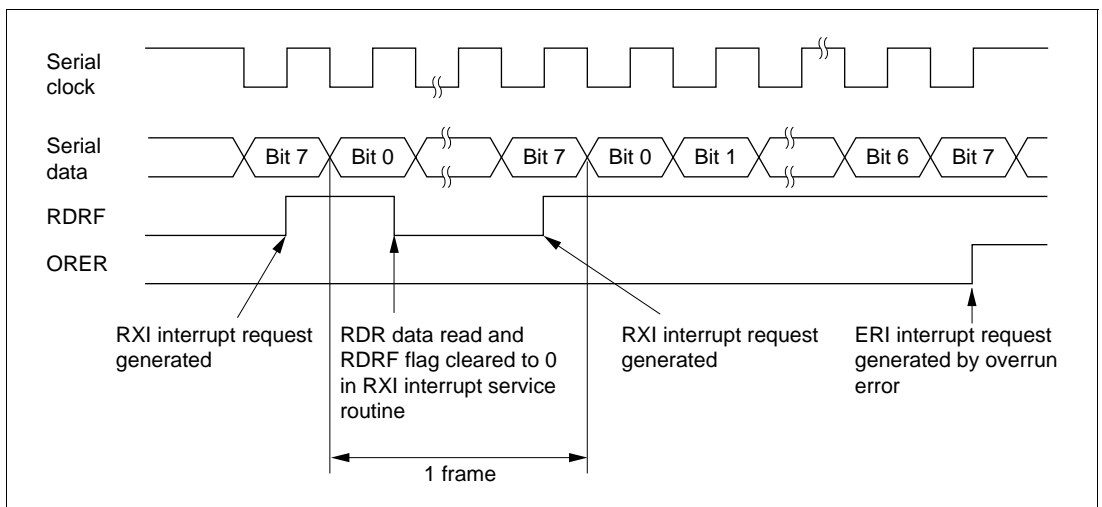
If this check is passed, the RDRF flag is set to 1, and the receive data is stored in RDR. If a receive error is detected in the error check, the operation is as shown in table 13-11.

Neither transmit nor receive operations can be performed subsequently when a receive error has been found in the error check.

[3] If the RIE bit in SCR is set to 1 when the RDRF flag changes to 1, a receive data full interrupt (RXI) request is generated.

Also, if the RIE bit in SCR is set to 1 when the ORER flag changes to 1, a receive error interrupt (ERI) request is generated.

Figure 13-19 shows an example of SCI operation in reception.

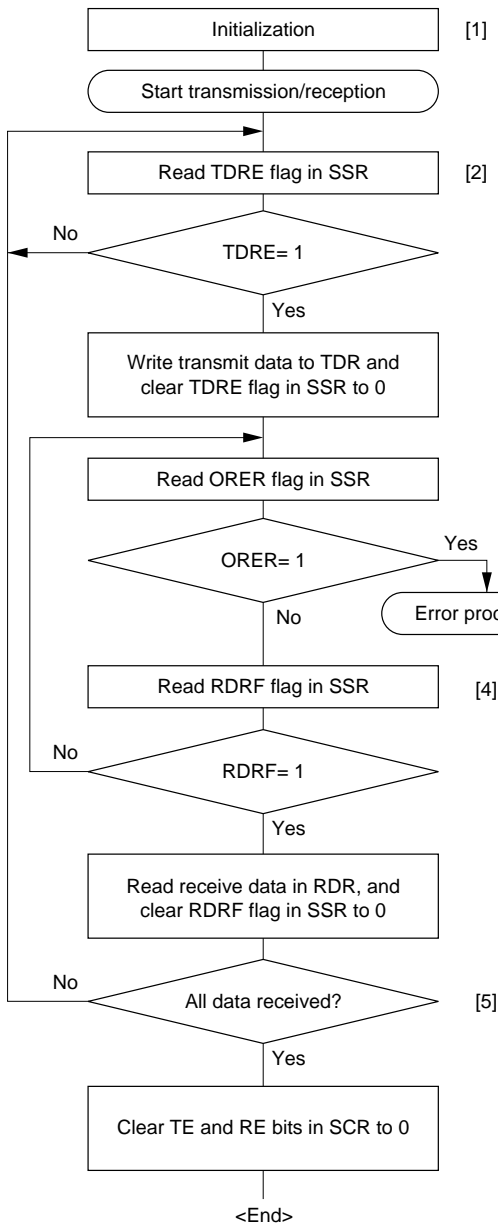


**Figure 13-19 Example of SCI Operation in Reception**

- Simultaneous serial data transmission and reception (clocked synchronous mode)

Figure 13-20 shows a sample flowchart for simultaneous serial transmit and receive operations.

The following procedure should be used for simultaneous serial data transmit and receive operations.



- [1] SCI initialization:  
The TxD pin is designated as the transmit data output pin, and the RxD pin is designated as the receive data input pin, enabling simultaneous transmit and receive operations.
- [2] SCI status check and transmit data write:  
Read SSR and check that the TDRE flag is set to 1, then write transmit data to TDR and clear the TDRE flag to 0. Transition of the TDRE flag from 0 to 1 can also be identified by a TXI interrupt.
- [3] Receive error processing:  
If a receive error occurs, read the ORER flag in SSR, and after performing the appropriate error processing, clear the ORER flag to 0. Transmission/reception cannot be resumed if the ORER flag is set to 1.
- [4] SCI status check and receive data read:  
Read SSR and check that the RDRF flag is set to 1, then read the receive data in RDR and clear the RDRF flag to 0. Transition of the RDRF flag from 0 to 1 can also be identified by an RXI interrupt.
- [5] Serial transmission/reception continuation procedure:  
To continue serial transmission/reception, before the MSB (bit 7) of the current frame is received, finish reading the RDRF flag, reading RDR, and clearing the RDRF flag to 0. Also, before the MSB (bit 7) of the current frame is transmitted, read 1 from the TDRE flag to confirm that writing is possible. Then write data to TDR and clear the TDRE flag to 0. Checking and clearing of the TDRE flag is automatic when the DTC is activated by a transmit data empty interrupt (TXI) request and data is written to TDR. Also, the RDRF flag is cleared automatically when the DTC is activated by a receive data full interrupt (RXI) request and the RDR value is read.

Note: When switching from transmit or receive operation to simultaneous transmit and receive operations, first clear the TE bit and RE bit to 0, then set both these bits to 1 simultaneously.

Figure 13-20 Sample Flowchart of Simultaneous Serial Transmit and Receive Operations

## 13.4 SCI Interrupts

The SCI has four interrupt sources: the transmit-end interrupt (TEI) request, receive-error interrupt (ERI) request, receive-data-full interrupt (RXI) request, and transmit-data-empty interrupt (TXI) request. Table 13-12 shows the interrupt sources and their relative priorities. Individual interrupt sources can be enabled or disabled with the TIE, RIE, and TEIE bits in the SCR. Each kind of interrupt request is sent to the interrupt controller independently.

When the TDRE flag in SSR is set to 1, a TXI interrupt request is generated. When the TEND flag in SSR is set to 1, a TEI interrupt request is generated. A TXI interrupt can activate the DTC to perform data transfer. The TDRE flag is cleared to 0 automatically when data transfer is performed by the DTC. The DTC cannot be activated by a TEI interrupt request.

When the RDRF flag in SSR is set to 1, an RXI interrupt request is generated. When the ORER, PER, or FER flag in SSR is set to 1, an ERI interrupt request is generated. An RXI interrupt can activate the DTC to perform data transfer. The RDRF flag is cleared to 0 automatically when data transfer is performed by the DTC. The DTC cannot be activated by an ERI interrupt request.

**Table 13-12 SCI Interrupt Sources**

<b>Channel</b>	<b>Interrupt Source</b>	<b>Description</b>	<b>DTC Activation</b>	<b>Priority*</b>
0	ERI	Interrupt due to receive error (ORER, FER, or PER)	Not possible	
	RXI	Interrupt due to receive data full state (RDRF)	Possible	
	TXI	Interrupt due to transmit data empty state (TDRE)	Possible	
	TEI	Interrupt due to transmission end (TEND)	Not possible	
1	ERI	Interrupt due to receive error (ORER, FER, or PER)	Not possible	
	RXI	Interrupt due to receive data full state (RDRF)	Possible	
	TXI	Interrupt due to transmit data empty state (TDRE)	Possible	
	TEI	Interrupt due to transmission end (TEND)	Not possible	
2	ERI	Interrupt due to receive error (ORER, FER, or PER)	Not possible	
	RXI	Interrupt due to receive data full state (RDRF)	Possible	
	TXI	Interrupt due to transmit data empty state (TDRE)	Possible	
	TEI	Interrupt due to transmission end (TEND)	Not possible	

Note: \* This table shows the initial state immediately after a reset. Relative priorities among channels can be changed by means of the interrupt controller.

A TEI interrupt is requested when the TEND flag is set to 1 while the TEIE bit is set to 1. The TEND flag is cleared at the same time as the TDRE flag. Consequently, if a TEI interrupt and a TXI interrupt are requested simultaneously, the TXI interrupt may have priority for acceptance, with the result that the TDRE and TEND flags are cleared. Note that the TEI interrupt will not be accepted in this case.



## 13.5 Usage Notes

The following points should be noted when using the SCI.

### Relation between Writes to TDR and the TDRE Flag

The TDRE flag in SSR is a status flag that indicates that transmit data has been transferred from TDR to TSR. When the SCI transfers data from TDR to TSR, the TDRE flag is set to 1.

Data can be written to TDR regardless of the state of the TDRE flag. However, if new data is written to TDR when the TDRE flag is cleared to 0, the data stored in TDR will be lost since it has not yet been transferred to TSR. It is therefore essential to check that the TDRE flag is set to 1 before writing transmit data to TDR.

### Operation when Multiple Receive Errors Occur Simultaneously

If a number of receive errors occur at the same time, the state of the status flags in SSR is as shown in table 13-13. If there is an overrun error, data is not transferred from RSR to RDR, and the receive data is lost.

**Table 13-13 State of SSR Status Flags and Transfer of Receive Data**

SSR Status Flags				Receive Data Transfer	
RDRF	ORER	FER	PER	RSR to RDR	Receive Error Status
1	1	0	0	X	Overrun error
0	0	1	0	○	Framing error
0	0	0	1	○	Parity error
1	1	1	0	X	Overrun error + framing error
1	1	0	1	X	Overrun error + parity error
0	0	1	1	○	Framing error + parity error
1	1	1	1	X	Overrun error + framing error + parity error

Notes: ○: Receive data is transferred from RSR to RDR.

X: Receive data is not transferred from RSR to RDR.

**Break Detection and Processing (Asynchronous Mode Only):** When framing error (FER) detection is performed, a break can be detected by reading the RxD pin value directly. In a break, the input from the RxD pin becomes all 0s, and so the FER flag is set, and the parity error flag (PER) may also be set.

Note that, since the SCI continues the receive operation after receiving a break, even if the FER flag is cleared to 0, it will be set to 1 again.

**Sending a Break (Asynchronous Mode Only):** The Tx/D pin has a dual function as an I/O port whose direction (input or output) is determined by DR and DDR. This can be used to send a break.

Between serial transmission initialization and setting of the TE bit to 1, the mark state is replaced by the value of DR (the pin does not function as the Tx/D pin until the TE bit is set to 1). Consequently, DDR and DR for the port corresponding to the Tx/D pin are first set to 1.

To send a break during serial transmission, first clear DR to 0, then clear the TE bit to 0.

When the TE bit is cleared to 0, the transmitter is initialized regardless of the current transmission state, the Tx/D pin becomes an I/O port, and 0 is output from the Tx/D pin.

**Receive Error Flags and Transmit Operations (Clocked Synchronous Mode Only):**

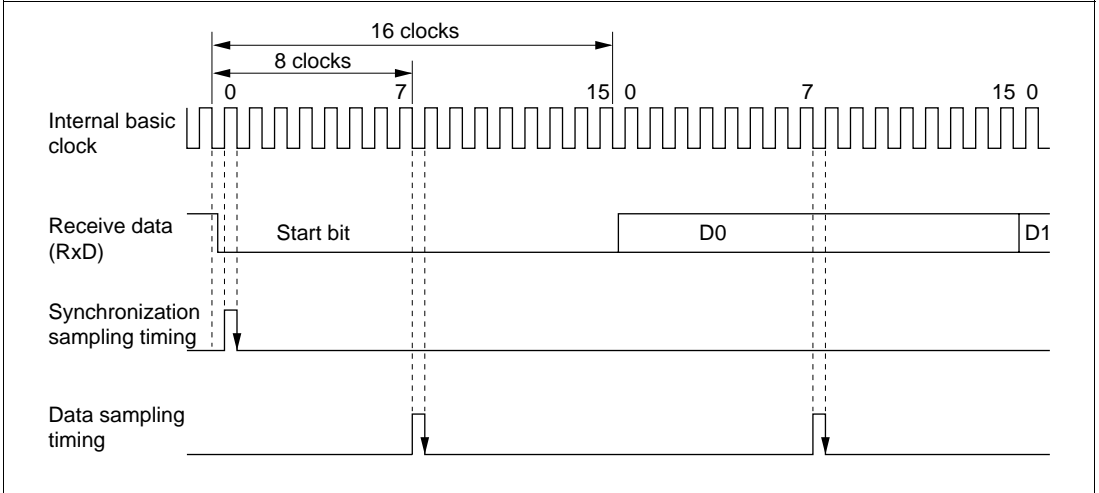
Transmission cannot be started when a receive error flag (ORER, PER, or FER) is set to 1, even if the TDRE flag is cleared to 0. Be sure to clear the receive error flags to 0 before starting transmission.

Note also that receive error flags cannot be cleared to 0 even if the RE bit is cleared to 0.

**Receive Data Sampling Timing and Reception Margin in Asynchronous Mode:**

In asynchronous mode, the SCI operates on a basic clock with a frequency of 16 times the transfer rate.

In reception, the SCI samples the falling edge of the start bit using the basic clock, and performs internal synchronization. Receive data is latched internally at the rising edge of the 8th pulse of the basic clock. This is illustrated in figure 13-21.



**Figure 13-21 Receive Data Sampling Timing in Asynchronous Mode**

Thus the reception margin in asynchronous mode is given by formula (1) below.

$$M = \left| \left( 0.5 - \frac{1}{2N} \right) - (L - 0.5) F - \frac{|D - 0.5|}{N} (1 + F) \right| \times 100\%$$

... Formula (1)

- Where
- M : Reception margin (%)
  - N : Ratio of bit rate to clock (N = 16)
  - D : Clock duty (D = 0 to 1.0)
  - L : Frame length (L = 9 to 12)
  - F : Absolute value of clock rate deviation

Assuming values of F = 0 and D = 0.5 in formula (1), a reception margin of 46.875% is given by formula (2) below.

When D = 0.5 and F = 0,

$$M = \left( 0.5 - \frac{1}{2 \times 16} \right) \times 100\%$$

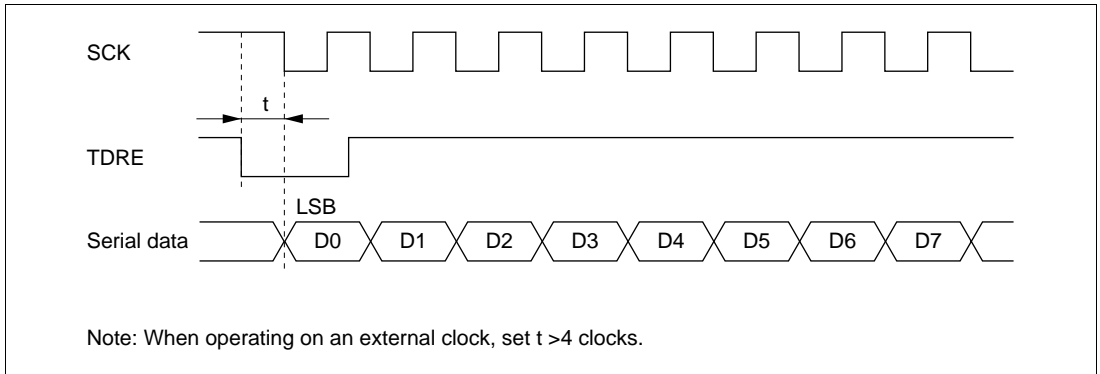
$$= 46.875\%$$

... Formula (2)

However, this is only the computed value, and a margin of 20% to 30% should be allowed in system design.

## Restrictions on Use of DTC

- When an external clock source is used as the serial clock, the transmit clock should not be input until at least  $5 \phi$  clock cycles after TDR is updated by the DTC. Misoperation may occur if the transmit clock is input within  $4 \phi$  clocks after TDR is updated. (Figure 13-22)
- When RDR is read by the DTC, be sure to set the activation source to the relevant SCI reception end interrupt (RXI).



**Figure 13-22 Example of Clocked Synchronous Transmission by DTC**

### Operation in Case of Mode Transition

- **Transmission**

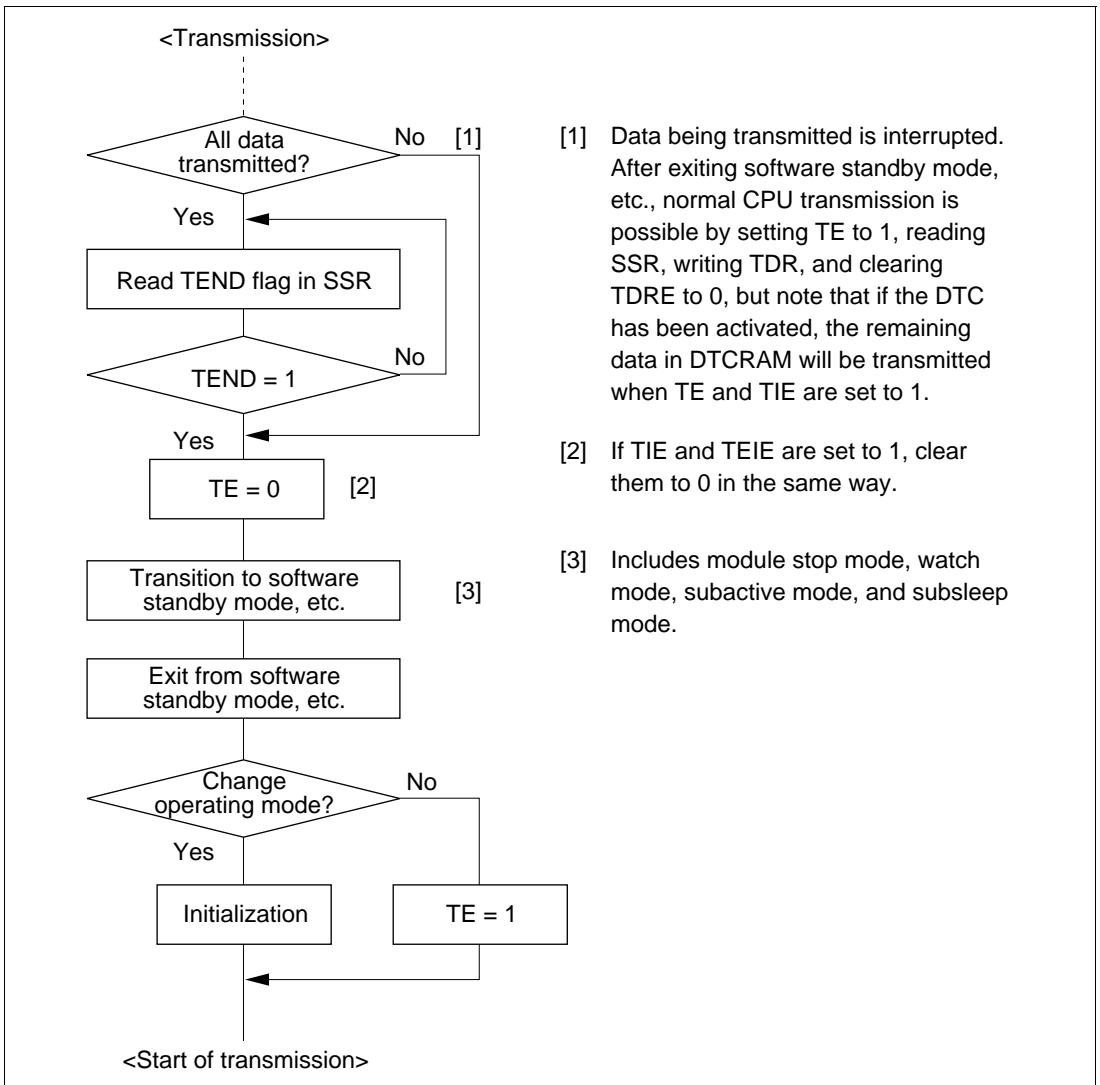
Operation should be stopped (by clearing TE, TIE, and TEIE to 0) before making a module stop mode, software standby mode, watch mode, subactive mode, or subsleep mode transition. TSR, TDR, and SSR are reset. The output pin states in module stop mode, software standby mode, watch mode, subactive mode, or subsleep mode depend on the port settings, and becomes high-level output after the relevant mode is cleared. If a transition is made during transmission, the data being transmitted will be undefined. When transmitting without changing the transmit mode after the relevant mode is cleared, transmission can be started by setting TE to 1 again, and performing the following sequence: SSR read -> TDR write -> TDRE clearance. To transmit with a different transmit mode after clearing the relevant mode, the procedure must be started again from initialization. Figure 13-23 shows a sample flowchart for mode transition during transmission. Port pin states are shown in figures 13-24 and 13-25. Operation should also be stopped (by clearing TE, TIE, and TEIE to 0) before making a transition from transmission by DTC transfer to module stop mode, software standby mode, watch mode, subactive mode, or subsleep mode transition. To perform transmission with the DTC after the relevant mode is cleared, setting TE and TIE to 1 will set the TXI flag and start DTC transmission.

- Reception

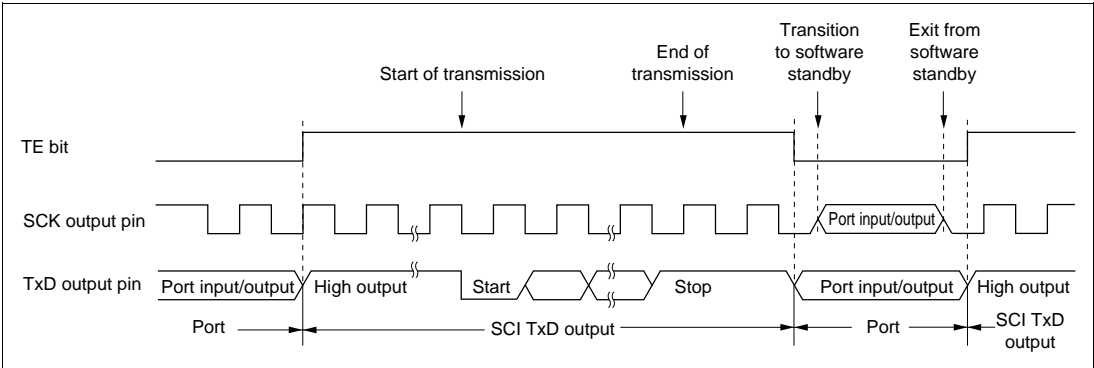
Receive operation should be stopped (by clearing RE to 0) before making a module stop mode, software standby mode, watch mode, subactive mode, or subsleep mode transition. RSR, RDR, and SSR are reset. If a transition is made without stopping operation, the data being received will be invalid.

To continue receiving without changing the reception mode after the relevant mode is cleared, set RE to 1 before starting reception. To receive with a different receive mode, the procedure must be started again from initialization.

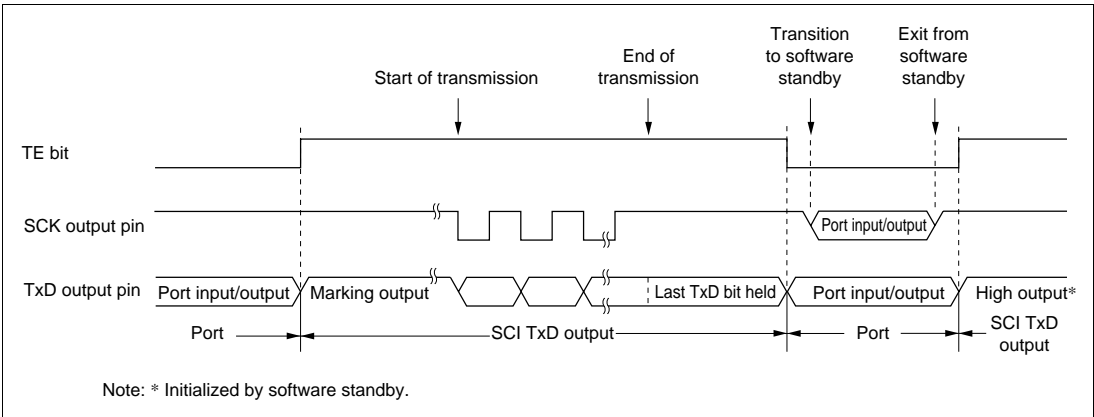
Figure 13-26 shows a sample flowchart for mode transition during reception.



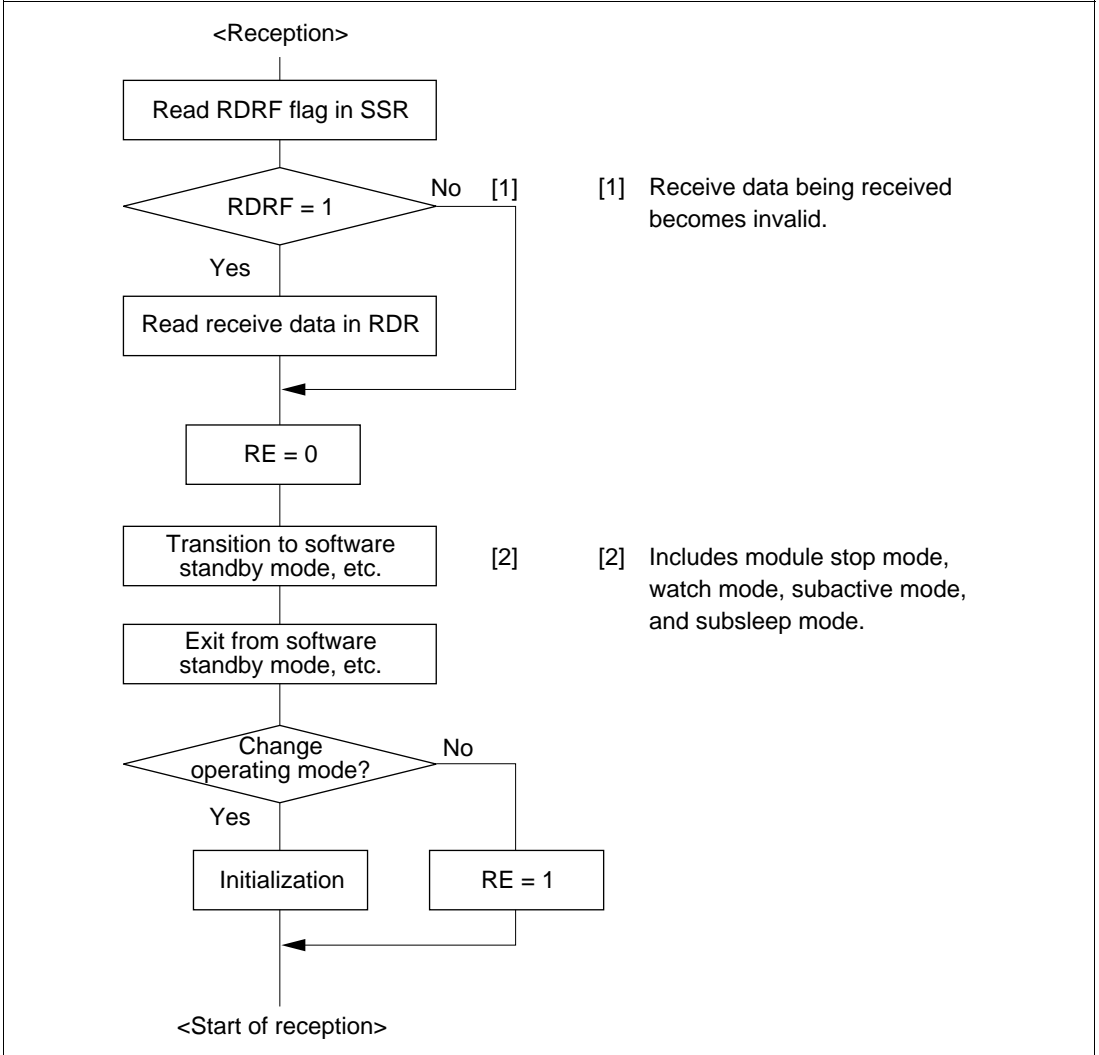
**Figure 13-23 Sample Flowchart for Mode Transition during Transmission**



**Figure 13-24 Asynchronous Transmission Using Internal Clock**



**Figure 13-25 Synchronous Transmission Using Internal Clock**

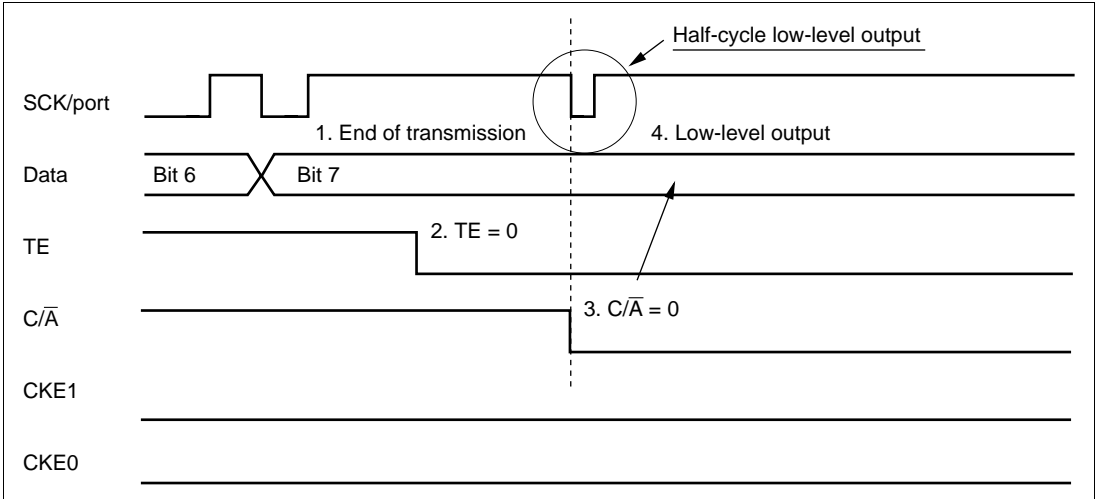


**Figure 13-26 Sample Flowchart for Mode Transition during Reception**

## Switching from SCK Pin Function to Port Pin Function:

- Problem in Operation: When switching the SCK pin function to the output port function (high-level output) by making the following settings while  $DDR = 1$ ,  $DR = 1$ ,  $C/\bar{A} = 1$ ,  $CKE1 = 0$ ,  $CKE0 = 0$ , and  $TE = 1$  (synchronous mode), low-level output occurs for one half-cycle.

1. End of serial data transmission
2.  $TE$  bit = 0
3.  $C/\bar{A}$  bit = 0 ... switchover to port output
4. Occurrence of low-level output (see figure 13-27)



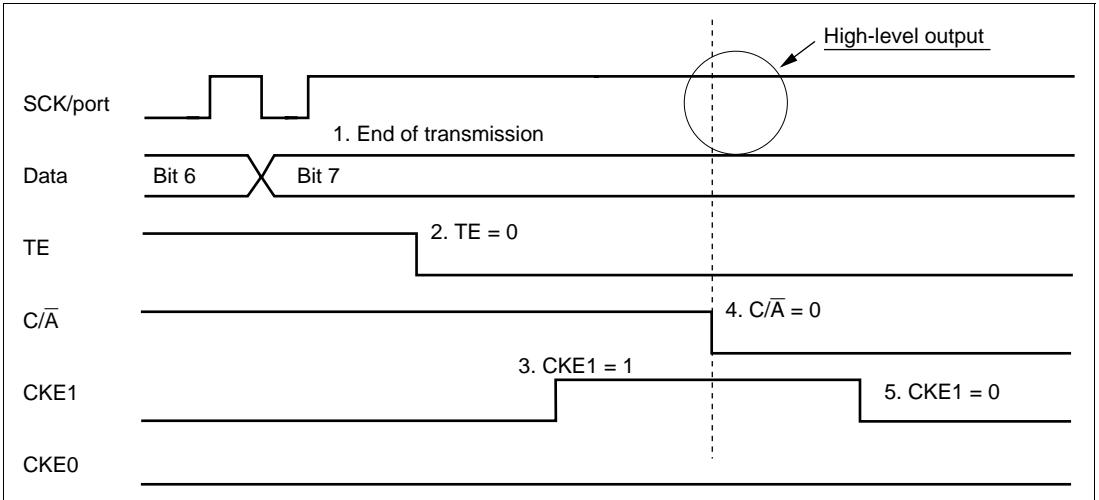
**Figure 13-27 Operation when Switching from SCK Pin Function to Port Pin Function**



- **Sample Procedure for Avoiding Low-Level Output:** As this sample procedure temporarily places the SCK pin in the input state, the SCK/port pin should be pulled up beforehand with an external circuit.

With  $DDR = 1$ ,  $DR = 1$ ,  $C/\bar{A} = 1$ ,  $CKE1 = 0$ ,  $CKE0 = 0$ , and  $TE = 1$ , make the following settings in the order shown.

1. End of serial data transmission
2.  $TE$  bit = 0
3.  **$CKE1$  bit = 1**
4.  $C/\bar{A}$  bit = 0 ... switchover to port output
5.  **$CKE1$  bit = 0**



**Figure 13-28 Operation when Switching from SCK Pin Function to Port Pin Function (Example of Preventing Low-Level Output)**



# Section 14 Smart Card Interface

## 14.1 Overview

The SCI supports an IC card (Smart Card) interface conforming to ISO/IEC 7816-3 (Identification Card) as a serial communication interface extension function.

Switching between the normal serial communication interface and the Smart Card interface is carried out by means of a register setting.

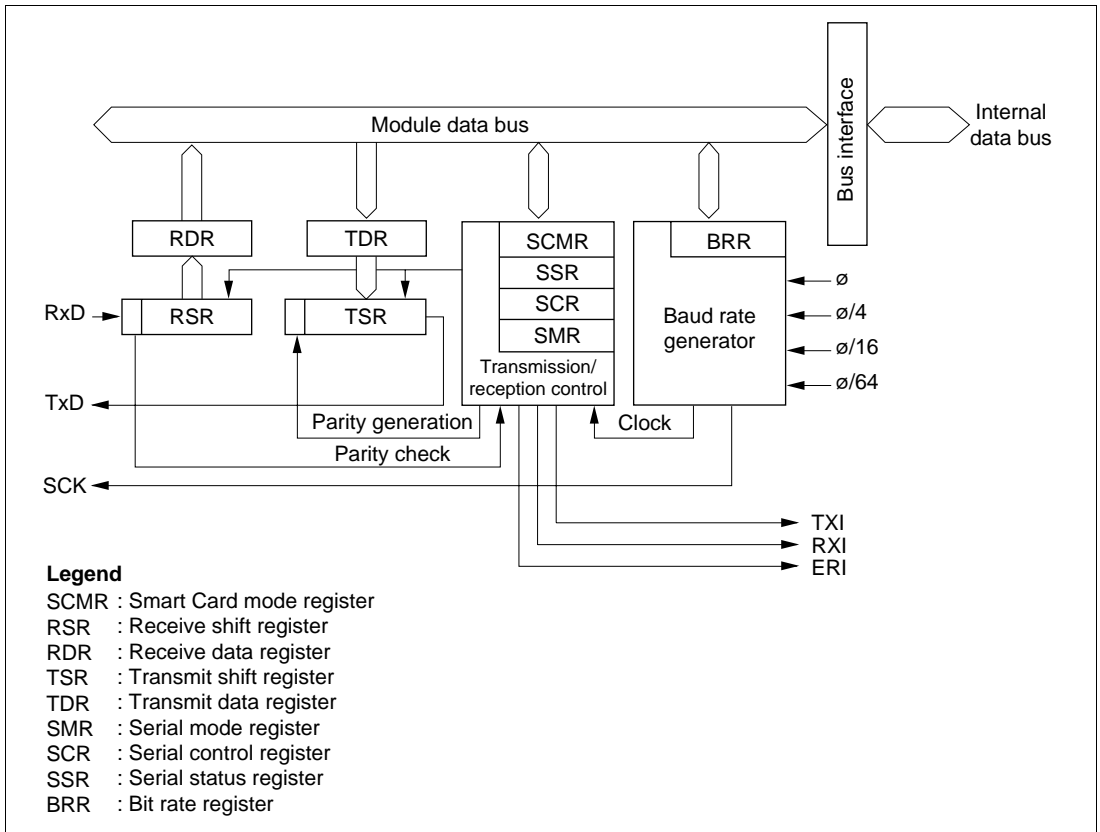
### 14.1.1 Features

Features of the Smart Card interface supported by the H8S/2626 Series and H8S/2623 Series are as follows.

- Asynchronous mode
  - Data length: 8 bits
  - Parity bit generation and checking
  - Transmission of error signal (parity error) in receive mode
  - Error signal detection and automatic data retransmission in transmit mode
  - Direct convention and inverse convention both supported
- On-chip baud rate generator allows any bit rate to be selected
- Three interrupt sources
  - Three interrupt sources (transmit data empty, receive data full, and transmit/receive error) that can issue requests independently
  - The transmit data empty interrupt and receive data full interrupt can activate the data transfer controller (DTC) to execute data transfer

## 14.1.2 Block Diagram

Figure 14-1 shows a block diagram of the Smart Card interface.



**Figure 14-1 Block Diagram of Smart Card Interface**

### 14.1.3 Pin Configuration

Table 14-1 shows the Smart Card interface pin configuration.

**Table 14-1 Smart Card Interface Pins**

<b>Channel</b>	<b>Pin Name</b>	<b>Symbol</b>	<b>I/O</b>	<b>Function</b>
0	Serial clock pin 0	SCK0	I/O	SCI0 clock input/output
	Receive data pin 0	RxD0	Input	SCI0 receive data input
	Transmit data pin 0	TxD0	Output	SCI0 transmit data output
1	Serial clock pin 1	SCK1	I/O	SCI1 clock input/output
	Receive data pin 1	RxD1	Input	SCI1 receive data input
	Transmit data pin 1	TxD1	Output	SCI1 transmit data output
2	Serial clock pin 2	SCK2	I/O	SCI2 clock input/output
	Receive data pin 2	RxD2	Input	SCI2 receive data input
	Transmit data pin 2	TxD2	Output	SCI2 transmit data output

## 14.1.4 Register Configuration

Table 14-2 shows the registers used by the Smart Card interface. Details of SMR, BRR, SCR, TDR, RDR, and MSTPCR are the same as for the normal SCI function: see the register descriptions in section 13, Serial Communication Interface (SCI).

**Table 14-2 Smart Card Interface Registers**

Channel	Name	Abbreviation	R/W	Initial Value	Address*1
0	Serial mode register 0	SMR0	R/W	H'00	H'FF78
	Bit rate register 0	BRR0	R/W	H'FF	H'FF79
	Serial control register 0	SCR0	R/W	H'00	H'FF7A
	Transmit data register 0	TDR0	R/W	H'FF	H'FF7B
	Serial status register 0	SSR0	R/(W)*2	H'84	H'FF7C
	Receive data register 0	RDR0	R	H'00	H'FF7D
	Smart card mode register 0	SCMR0	R/W	H'F2	H'FF7E
1	Serial mode register 1	SMR1	R/W	H'00	H'FF80
	Bit rate register 1	BRR1	R/W	H'FF	H'FF81
	Serial control register 1	SCR1	R/W	H'00	H'FF82
	Transmit data register 1	TDR1	R/W	H'FF	H'FF83
	Serial status register 1	SSR1	R/(W)*2	H'84	H'FF84
	Receive data register 1	RDR1	R	H'00	H'FF85
	Smart card mode register 1	SCMR1	R/W	H'F2	H'FF86
2	Serial mode register 2	SMR2	R/W	H'00	H'FF88
	Bit rate register 2	BRR2	R/W	H'FF	H'FF89
	Serial control register 2	SCR2	R/W	H'00	H'FF8A
	Transmit data register 2	TDR2	R/W	H'FF	H'FF8B
	Serial status register 2	SSR2	R/(W)*2	H'84	H'FF8C
	Receive data register 2	RDR2	R	H'00	H'FF8D
	Smart card mode register 2	SCMR2	R/W	H'F2	H'FF8E
All	Module stop control register B	MSTPCRB	R/W	H'FF	H'FDE9

Notes: \*1 Lower 16 bits of the address.

\*2 Only 0 can be written, for flag clearing.

## 14.2 Register Descriptions

Registers added with the Smart Card interface and bits for which the function changes are described here.

### 14.2.1 Smart Card Mode Register (SCMR)

Bit	:	7	6	5	4	3	2	1	0
		—	—	—	—	SDIR	SINV	—	SMIF
Initial value :		1	1	1	1	0	0	1	0
R/W	:	—	—	—	—	R/W	R/W	—	R/W

SCMR is an 8-bit readable/writable register that selects the Smart Card interface function.

SCMR is initialized to HF2 by a reset and in standby mode.

**Bits 7 to 4—Reserved:** These bits are always read as 1 and cannot be modified.

**Bit 3—Smart Card Data Transfer Direction (SDIR):** Selects the serial/parallel conversion format.

#### Bit 3

SDIR	Description
0	TDR contents are transmitted LSB-first Receive data is stored in RDR LSB-first (Initial value)
1	TDR contents are transmitted MSB-first Receive data is stored in RDR MSB-first

**Bit 2—Smart Card Data Invert (SINV):** Specifies inversion of the data logic level. This function is used together with the SDIR bit for communication with an inverse convention card. The SINV bit does not affect the logic level of the parity bit. For parity-related setting procedures, see section 14.3.4, Register Settings.

**Bit 2**

<b>SINV</b>	<b>Description</b>	
0	TDR contents are transmitted as they are Receive data is stored as it is in RDR	(Initial value)
1	TDR contents are inverted before being transmitted Receive data is stored in inverted form in RDR	

**Bit 1—Reserved:** This bit is always read as 1 and cannot be modified.

**Bit 0—Smart Card Interface Mode Select (SMIF):** Enables or disables the Smart Card interface function.

**Bit 0**

<b>SMIF</b>	<b>Description</b>	
0	Smart Card interface function is disabled	(Initial value)
1	Smart Card interface function is enabled	



## 14.2.2 Serial Status Register (SSR)

Bit	:	7	6	5	4	3	2	1	0
		TDRE	RDRF	ORER	ERS	PER	TEND	MPB	MPBT
Initial value :		1	0	0	0	0	1	0	0
R/W	:	R/(W)*	R/(W)*	R/(W)*	R/(W)*	R/(W)*	R	R	R/W

Note: \* Only 0 can be written, for flag clearing.

Bit 4 of SSR has a different function in Smart Card interface mode. Coupled with this, the setting conditions for bit 2, TEND, are also different.

**Bits 7 to 5**—Operate in the same way as for the normal SCI. For details, see section 13.2.7, Serial Status Register (SSR).

**Bit 4—Error Signal Status (ERS):** In Smart Card interface mode, bit 4 indicates the status of the error signal sent back from the receiving end in transmission. Framing errors are not detected in Smart Card interface mode.

### Bit 4

ERS	Description
0	Normal reception, with no error signal [Clearing conditions] (Initial value) <ul style="list-style-type: none"><li>• Upon reset, and in standby mode or module stop mode</li><li>• When 0 is written to ERS after reading ERS = 1</li></ul>
1	Error signal sent from receiver indicating detection of parity error [Setting condition] When the low level of the error signal is sampled

Note: Clearing the TE bit in SCR to 0 does not affect the ERS flag, which retains its previous state.

**Bits 3 to 0**—Operate in the same way as for the normal SCI. For details, see section 13.2.7, Serial Status Register (SSR).

However, the setting conditions for the TEND bit, are as shown below.

**Bit 2**

TEND	Description
0	Transmission is in progress [Clearing conditions] <ul style="list-style-type: none"> <li>• When 0 is written to TDRE after reading TDRE = 1</li> <li>• When the DTC is activated by a TXI interrupt and write data to TDR</li> </ul>
1	Transmission has ended <span style="float: right;">(Initial value)</span> [Setting conditions] <ul style="list-style-type: none"> <li>• Upon reset, and in standby mode or module stop mode</li> <li>• When the TE bit in SCR is 0 and the ERS bit is also 0</li> <li>• When TDRE = 1 and ERS = 0 (normal transmission) 2.5 etu after transmission of a 1-byte serial character when GM = 0 and BLK = 0</li> <li>• When TDRE = 1 and ERS = 0 (normal transmission) 1.5 etu after transmission of a 1-byte serial character when GM = 0 and BLK = 1</li> <li>• When TDRE = 1 and ERS = 0 (normal transmission) 1.0 etu after transmission of a 1-byte serial character when GM = 1 and BLK = 0</li> <li>• When TDRE = 1 and ERS = 0 (normal transmission) 1.0 etu after transmission of a 1-byte serial character when GM = 1 and BLK = 1</li> </ul>

Note: etu: Elementary Time Unit (time for transfer of 1 bit)

### 14.2.3 Serial Mode Register (SMR)

Bit	:	7	6	5	4	3	2	1	0
		GM	BLK	PE	O/ $\bar{E}$	BCP1	BCP0	CKS1	CKS0
Initial value :		0	0	0	0	0	0	0	0
R/W	:	R/W	R/W	R/W	R/W	R/W	R/W	R/W	R/W

Note: When the smart card interface is used, be sure to make the 1 setting shown for bit 5.

The function of bits 7, 6, 3, and 2 of SMR changes in Smart Card interface mode.

**Bit 7—GSM Mode (GM):** Sets the smart card interface function to GSM mode.

This bit is cleared to 0 when the normal smart card interface is used. In GSM mode, this bit is set to 1, the timing of setting of the TEND flag that indicates transmission completion is advanced and clock output control mode addition is performed. The contents of the clock output control mode addition are specified by bits 1 and 0 of the serial control register (SCR).

#### Bit 7

GM	Description
0	Normal smart card interface mode operation (Initial value) <ul style="list-style-type: none"> <li>TEND flag generation 12.5 etu (11.5 etu in block transfer mode) after beginning of start bit</li> <li>Clock output ON/OFF control only</li> </ul>
1	GSM mode smart card interface mode operation <ul style="list-style-type: none"> <li>TEND flag generation 11.0 etu after beginning of start bit</li> <li>High/low fixing control possible in addition to clock output ON/OFF control (set by SCR)</li> </ul>

Note: etu: Elementary time unit (time for transfer of 1 bit)

**Bit 6—Block Transfer Mode (BLK):** Selects block transfer mode.

**Bit 6**

BLK	Description
0	Normal Smart Card interface mode operation <ul style="list-style-type: none"><li>• Error signal transmission/detection and automatic data retransmission performed</li><li>• TXI interrupt generated by TEND flag</li><li>• TEND flag set 12.5 etu after start of transmission (11.0 etu in GSM mode)</li></ul>
1	Block transfer mode operation <ul style="list-style-type: none"><li>• Error signal transmission/detection and automatic data retransmission not performed</li><li>• TXI interrupt generated by TDRE flag</li><li>• TEND flag set 11.5 etu after start of transmission (11.0 etu in GSM mode)</li></ul>

Note: etu: Elementary Time Unit (time for transfer of 1 bit)

**Bits 3 and 2—Basic Clock Pulse 1 and 2 (BCP1, BCP0):** These bits specify the number of basic clock periods in a 1-bit transfer interval on the Smart Card interface.

Bit 3	Bit 2	Description
BCP1	BCP0	
0	1	32 clock periods (Initial value)
	0	64 clock periods
1	1	372 clock periods
	0	256 clock periods

**Bits 5, 4, 1, and 0:** Operate in the same way as for the normal SCI. For details, see section 13.2.5, Serial Mode Register (SMR).

## 14.2.4 Serial Control Register (SCR)

Bit	:	7	6	5	4	3	2	1	0
		TIE	RIE	TE	RE	MPIE	TEIE	CKE1	CKE0
Initial value :		0	0	0	0	0	0	0	0
R/W	:	R/W	R/W	R/W	R/W	R/W	R/W	R/W	R/W

In smart card interface mode, the function of bits 1 and 0 of SCR changes when bit 7 of the serial mode register (SMR) is set to 1.

**Bits 7 to 2**—Operate in the same way as for the normal SCI.

For details, see section 13.2.6, Serial Control Register (SCR).

**Bits 1 and 0—Clock Enable 1 and 0 (CKE1, CKE0):** These bits are used to select the SCI clock source and enable or disable clock output from the SCK pin.

In smart card interface mode, in addition to the normal switching between clock output enabling and disabling, the clock output can be specified as to be fixed high or low.

SCMR	SMR	SCR Setting		SCK Pin Function
SMIF	C/ $\bar{A}$ , GM	CKE1	CKE0	
0	See the SCI			
1	0	0	0	Operates as port I/O pin
1	0	0	1	Outputs clock as SCK output pin
1	1	0	0	Operates as SCK output pin, with output fixed low
1	1	0	1	Outputs clock as SCK output pin
1	1	1	0	Operates as SCK output pin, with output fixed high
1	1	1	1	Outputs clock as SCK output pin

## 14.3 Operation

### 14.3.1 Overview

The main functions of the Smart Card interface are as follows.

- One frame consists of 8-bit data plus a parity bit.
- In transmission, a guard time of at least 2 etu (Elementary Time Unit: the time for transfer of 1 bit) is left between the end of the parity bit and the start of the next frame.
- If a parity error is detected during reception, a low error signal level is output for one etu period, 10.5 etu after the start bit.
- If the error signal is sampled during transmission, the same data is transmitted automatically after the elapse of 2 etu or longer. (except in block transfer mode)
- Only asynchronous communication is supported; there is no clocked synchronous communication function.

### 14.3.2 Pin Connections

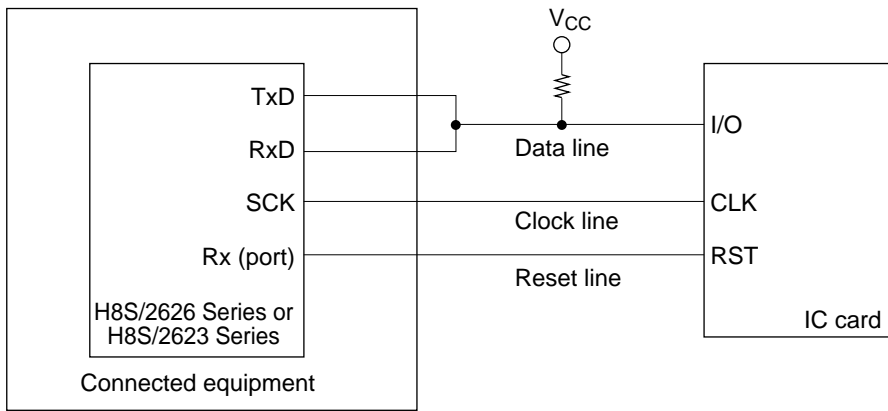
Figure 14-2 shows a schematic diagram of Smart Card interface related pin connections.

In communication with an IC card, since both transmission and reception are carried out on a single data transmission line, the TxD pin and RxD pin should be connected with the LSI pin. The data transmission line should be pulled up to the  $V_{CC}$  power supply with a resistor.

When the clock generated on the Smart Card interface is used by an IC card, the SCK pin output is input to the CLK pin of the IC card. No connection is needed if the IC card uses an internal clock.

LSI port output is used as the reset signal.

Other pins must normally be connected to the power supply or ground.



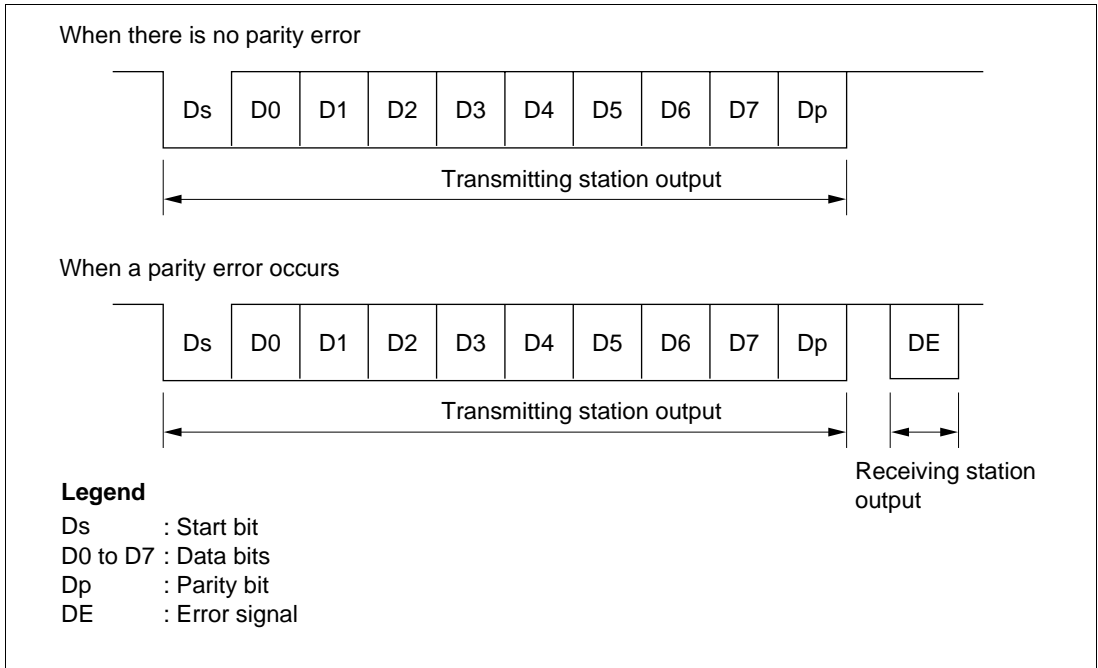
**Figure 14-2 Schematic Diagram of Smart Card Interface Pin Connections**

Note: If an IC card is not connected, and the TE and RE bits are both set to 1, closed transmission/reception is possible, enabling self-diagnosis to be carried out.

### 14.3.3 Data Format

#### (1) Normal Transfer Mode

Figure 14-3 shows the normal Smart Card interface data format. In reception in this mode, a parity check is carried out on each frame, and if an error is detected an error signal is sent back to the transmitting end, and retransmission of the data is requested. If an error signal is sampled during transmission, the same data is retransmitted.



**Figure 14-3 Normal Smart Card Interface Data Format**



The operation sequence is as follows.

- [1] When the data line is not in use it is in the high-impedance state, and is fixed high with a pull-up resistor.
- [2] The transmitting station starts transfer of one frame of data. The data frame starts with a start bit (Ds, low-level), followed by 8 data bits (D0 to D7) and a parity bit (Dp).
- [3] With the Smart Card interface, the data line then returns to the high-impedance state. The data line is pulled high with a pull-up resistor.
- [4] The receiving station carries out a parity check.

If there is no parity error and the data is received normally, the receiving station waits for reception of the next data.

If a parity error occurs, however, the receiving station outputs an error signal (DE, low-level) to request retransmission of the data. After outputting the error signal for the prescribed length of time, the receiving station places the signal line in the high-impedance state again. The signal line is pulled high again by a pull-up resistor.

- [5] If the transmitting station does not receive an error signal, it proceeds to transmit the next data frame.  
If it does receive an error signal, however, it returns to step [2] and retransmits the erroneous data.

## (2) Block Transfer Mode

The operation sequence in block transfer mode is as follows.

- [1] When the data line is not in use it is in the high-impedance state, and is fixed high with a pull-up resistor.
- [2] The transmitting station starts transfer of one frame of data. The data frame starts with a start bit (Ds, low-level), followed by 8 data bits (D0 to D7) and a parity bit (Dp).
- [3] With the Smart Card interface, the data line then returns to the high-impedance state. The data line is pulled high with a pull-up resistor.
- [4] After reception, a parity error check is carried out, but an error signal is not output even if an error has occurred. When an error occurs reception cannot be continued, so the error flag should be cleared to 0 before the parity bit of the next frame is received.
- [5] The transmitting station proceeds to transmit the next data frame.

### 14.3.4 Register Settings

Table 14-3 shows a bit map of the registers used by the smart card interface.

Bits indicated as 0 or 1 must be set to the value shown. The setting of other bits is described below.

**Table 14-3 Smart Card Interface Register Settings**

Register	Bit							
	Bit 7	Bit 6	Bit 5	Bit 4	Bit 3	Bit 2	Bit 1	Bit 0
SMR	GM	BLK	1	O/ $\bar{E}$	BCP1	BCP0	CKS1	CKS0
BRR	BRR7	BRR6	BRR5	BRR4	BRR3	BRR2	BRR1	BRR0
SCR	TIE	RIE	TE	RE	0	0	CKE1*	CKE0
TDR	TDR7	TDR6	TDR5	TDR4	TDR3	TDR2	TDR1	TDR0
SSR	TDRE	RDRF	ORER	ERS	PER	TEND	0	0
RDR	RDR7	RDR6	RDR5	RDR4	RDR3	RDR2	RDR1	RDR0
SCMR	—	—	—	—	SDIR	SINV	—	SMIF

Notes: — : Unused bit.

\*: The CKE1 bit must be cleared to 0 when the GM bit in SMR is cleared to 0.

**SMR Setting:** The GM bit is cleared to 0 in normal smart card interface mode, and set to 1 in GSM mode. The O/ $\bar{E}$  bit is cleared to 0 if the IC card is of the direct convention type, and set to 1 if of the inverse convention type.

Bits CKS1 and CKS0 select the clock source of the on-chip baud rate generator. Bits BCP1 and BCP0 select the number of basic clock periods in a 1-bit transfer interval. For details, see section 14.3.5, Clock.

The BLK bit is cleared to 0 in normal smart card interface mode, and set to 1 in block transfer mode.

**BRR Setting:** BRR is used to set the bit rate. See section 14.3.5, Clock, for the method of calculating the value to be set.

**SCR Setting:** The function of the TIE, RIE, TE, and RE bits is the same as for the normal SCI. For details, see section 13, Serial Communication Interface (SCI).

Bits CKE1 and CKE0 specify the clock output. When the GM bit in SMR is cleared to 0, set these bits to B'00 if a clock is not to be output, or to B'01 if a clock is to be output. When the GM bit in SMR is set to 1, clock output is performed. The clock output can also be fixed high or low.

### Smart Card Mode Register (SCMR) Setting:

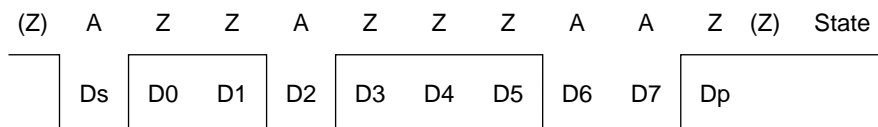
The SDIR bit is cleared to 0 if the IC card is of the direct convention type, and set to 1 if of the inverse convention type.

The SINV bit is cleared to 0 if the IC card is of the direct convention type, and set to 1 if of the inverse convention type.

The SMIF bit is set to 1 in the case of the Smart Card interface.

Examples of register settings and the waveform of the start character are shown below for the two types of IC card (direct convention and inverse convention).

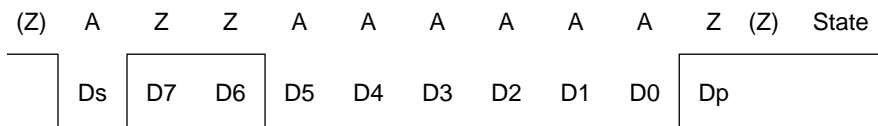
- Direct convention ( $SDIR = SINV = \overline{O/E} = 0$ )



With the direct convention type, the logic 1 level corresponds to state Z and the logic 0 level to state A, and transfer is performed in LSB-first order. The start character data above is H'3B.

The parity bit is 1 since even parity is stipulated for the Smart Card.

- Inverse convention ( $SDIR = SINV = \overline{O/E} = 1$ )



With the inverse convention type, the logic 1 level corresponds to state A and the logic 0 level to state Z, and transfer is performed in MSB-first order. The start character data above is H'3F.

The parity bit is 0, corresponding to state Z, since even parity is stipulated for the Smart Card.

With the H8S/2626 Series and H8S/2623 Series, inversion specified by the SINV bit applies only to the data bits, D7 to D0. For parity bit inversion, the  $\overline{O/E}$  bit in SMR is set to odd parity mode (the same applies to both transmission and reception).

### 14.3.5 Clock

Only an internal clock generated by the on-chip baud rate generator can be used as the transmit/receive clock for the smart card interface. The bit rate is set with BRR and the CKS1, CKS0, BCP1 and BCP0 bits in SMR. The formula for calculating the bit rate is as shown below. Table 14-5 shows some sample bit rates.

If clock output is selected by setting CKE0 to 1, a clock is output from the SCK pin. The clock frequency is determined by the bit rate and the setting of bits BCP1 and BCP0.

$$B = \frac{\phi}{S \times 2^{2n+1} \times (N + 1)} \times 10^6$$

Where: N = Value set in BRR ( $0 \leq N \leq 255$ )

B = Bit rate (bit/s)

$\phi$  = Operating frequency (MHz)

n = See table 14-4

S = Number of internal clocks in 1-bit period, set by BCP1 and BCP0

**Table 14-4 Correspondence between n and CKS1, CKS0**

n	CKS1	CKS0
0	0	0
1		1
2	1	0
3		1

**Table 14-5 Examples of Bit Rate B (bit/s) for Various BRR Settings  
(When n = 0 and S = 372)**

N	$\phi$ (MHz)						
	10.00	10.714	13.00	14.285	16.00	18.00	20.00
0	13441	14400	17473	19200	21505	24194	26882
1	6720	7200	8737	9600	10753	12097	13441
2	4480	4800	5824	6400	7168	8065	8961

Note: Bit rates are rounded to the nearest whole number.

The method of calculating the value to be set in the bit rate register (BRR) from the operating frequency and bit rate, on the other hand, is shown below. N is an integer,  $0 \leq N \leq 255$ , and the smaller error is specified.

$$N = \frac{\phi}{S \times 2^{2n+1} \times B} \times 10^6 - 1$$

**Table 14-6 Examples of BRR Settings for Bit Rate B (bit/s) (When n = 0 and S = 372)**

bit/s	$\phi$ (MHz)															
	7.1424		10.00		10.7136		13.00		14.2848		16.00		18.00		20.00	
	N	Error	N	Error	N	Error	N	Error	N	Error	N	Error	N	Error	N	Error
9600	0	0.00	1	30	1	25	1	8.99	1	0.00	1	12.01	2	15.99	2	6.60

**Table 14-7 Maximum Bit Rate at Various Frequencies (Smart Card Interface Mode)  
(when S = 372)**

$\phi$ (MHz)	Maximum Bit Rate (bit/s)	N	n
7.1424	9600	0	0
10.00	13441	0	0
10.7136	14400	0	0
13.00	17473	0	0
14.2848	19200	0	0
16.00	21505	0	0
18.00	24194	0	0
20.00	26882	0	0

The bit rate error is given by the following formula:

$$\text{Error (\%)} = \left( \frac{\phi}{S \times 2^{2n+1} \times B \times (N + 1)} \times 10^6 - 1 \right) \times 100$$

### 14.3.6 Data Transfer Operations

**Initialization:** Before transmitting and receiving data, initialize the SCI as described below. Initialization is also necessary when switching from transmit mode to receive mode, or vice versa.

- [1] Clear the TE and RE bits in SCR to 0.
- [2] Clear the error flags ERS, PER, and ORER in SSR to 0.
- [3] Set the GM, BLK,  $\overline{O/E}$ , BCP1, BCP0, CKS1, CKS0 bits in SMR. Set the PE bit to 1.
- [4] Set the SMIF, SDIR, and SINV bits in SCMR.  
When the SMIF bit is set to 1, the TxD and RxD pins are both switched from ports to SCI pins, and are placed in the high-impedance state.
- [5] Set the value corresponding to the bit rate in BRR.
- [6] Set the CKE0 and CKE1 bits in SCR. Clear the TIE, RIE, TE, RE, MPIE, and TEIE bits to 0.  
If the CKE0 bit is set to 1, the clock is output from the SCK pin.
- [7] Wait at least one bit interval, then set the TIE, RIE, TE, and RE bits in SCR. Do not set the TE bit and RE bit at the same time, except for self-diagnosis.

**Serial Data Transmission:** As data transmission in smart card mode involves error signal sampling and retransmission processing, the processing procedure is different from that for the normal SCI. Figure 14-4 shows a flowchart for transmitting, and figure 14-5 shows the relation between a transmit operation and the internal registers.

- [1] Perform Smart Card interface mode initialization as described above in Initialization.
- [2] Check that the ERS error flag in SSR is cleared to 0.
- [3] Repeat steps [2] and [3] until it can be confirmed that the TEND flag in SSR is set to 1.
- [4] Write the transmit data to TDR, clear the TDRE flag to 0, and perform the transmit operation. The TEND flag is cleared to 0.
- [5] When transmitting data continuously, go back to step [2].
- [6] To end transmission, clear the TE bit to 0.

With the above processing, interrupt servicing or data transfer by the DTC is possible.

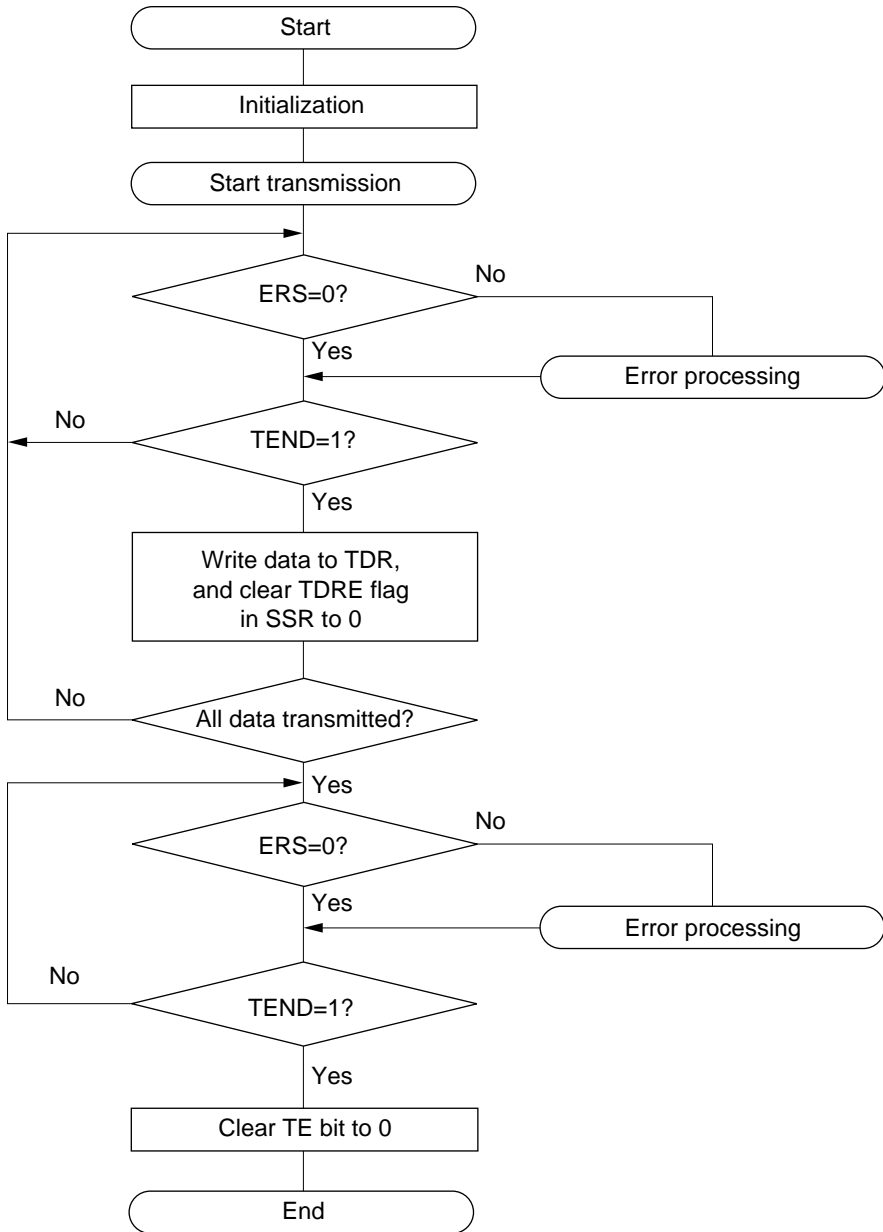
If transmission ends and the TEND flag is set to 1 while the TIE bit is set to 1 and interrupt requests are enabled, a transmit data empty interrupt (TXI) request will be generated. If an error occurs in transmission and the ERS flag is set to 1 while the RIE bit is set to 1 and interrupt requests are enabled, a transfer error interrupt (ERI) request will be generated.

The timing for setting the TEND flag depends on the value of the GM bit in SMR. The TEND flag set timing is shown in figure 14-6.

If the DTC is activated by a TXI request, the number of bytes set in the DTC can be transmitted automatically, including automatic retransmission.

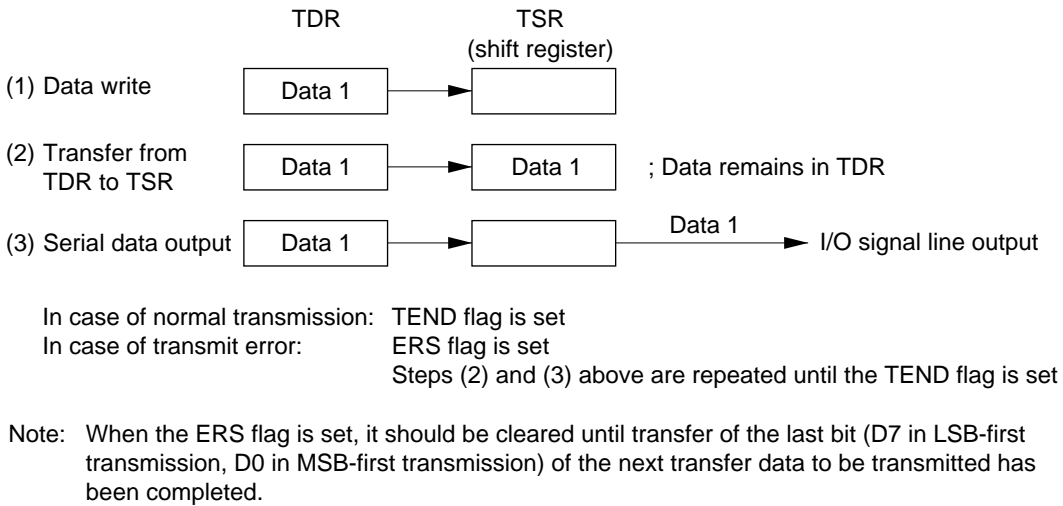
For details, see Interrupt Operation and Data Transfer Operation by DTC below.

Note: For block transfer mode, see section 13.3.2, Operation in Asynchronous Mode.

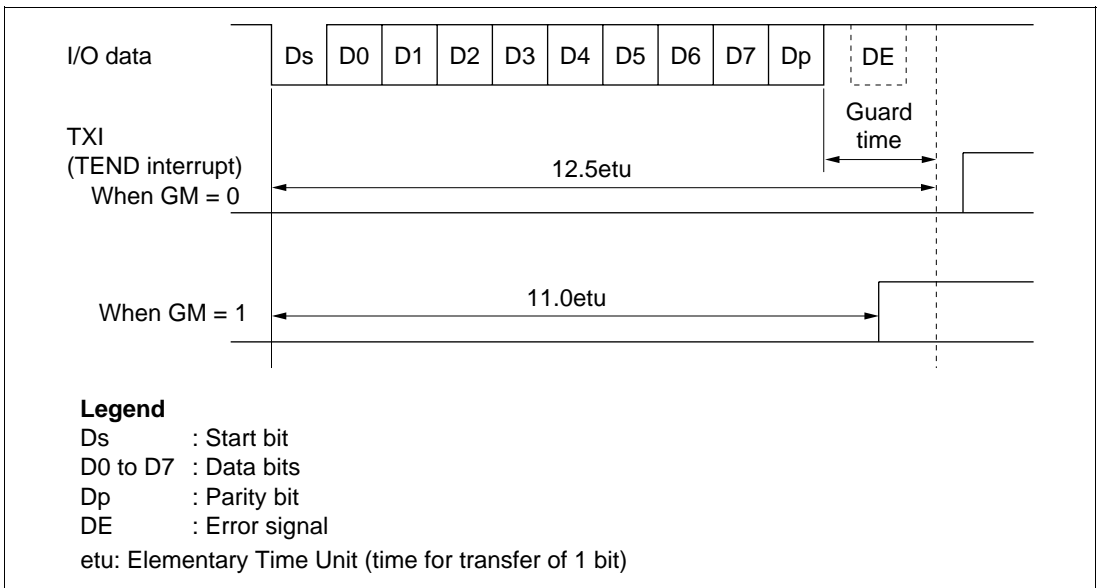


**Figure 14-4 Example of Transmission Processing Flow**





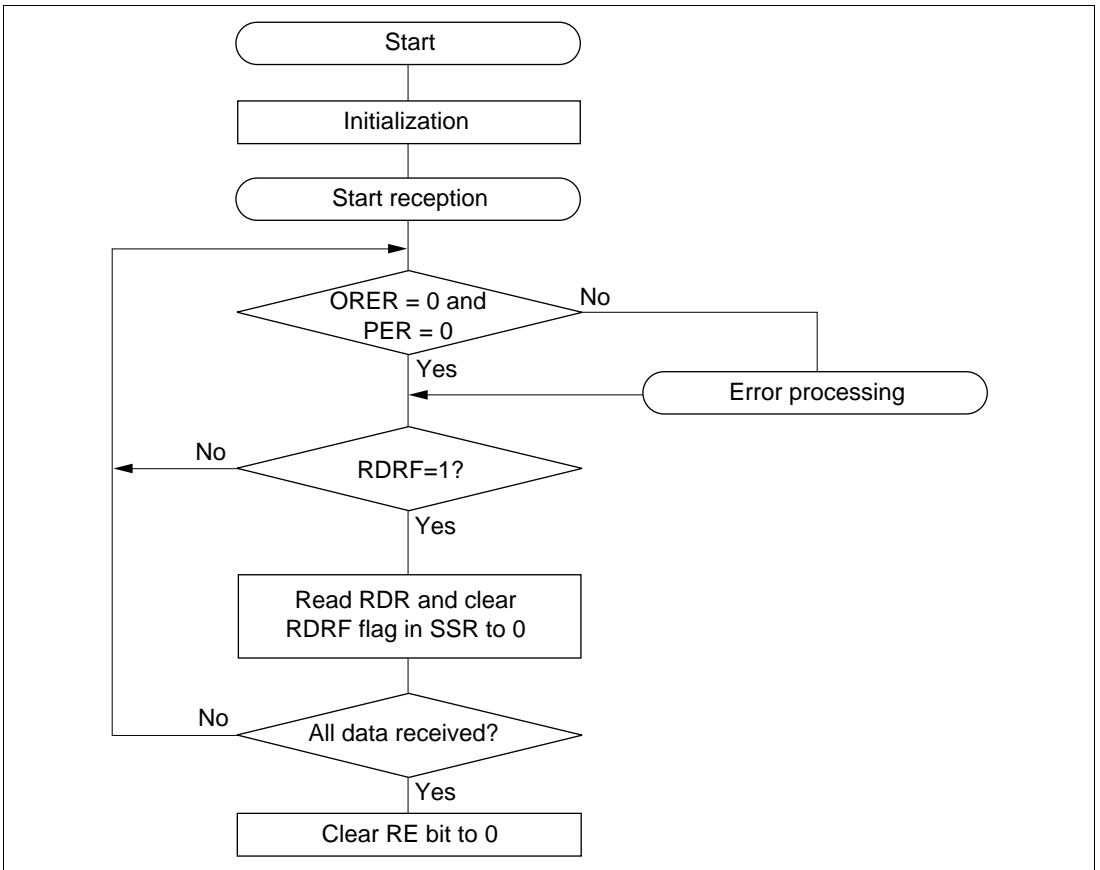
**Figure 14-5 Relation between Transmit Operation and Internal Registers**



**Figure 14-6 TEND Flag Generation Timing in Transmission Operation**

**Serial Data Reception (Except Block Transfer Mode):** Data reception in Smart Card mode uses the same processing procedure as for the normal SCI. Figure 14-7 shows an example of the transmission processing flow.

- [1] Perform Smart Card interface mode initialization as described above in Initialization.
- [2] Check that the ORER flag and PER flag in SSR are cleared to 0. If either is set, perform the appropriate receive error processing, then clear both the ORER and the PER flag to 0.
- [3] Repeat steps [2] and [3] until it can be confirmed that the RDRF flag is set to 1.
- [4] Read the receive data from RDR.
- [5] When receiving data continuously, clear the RDRF flag to 0 and go back to step [2].
- [6] To end reception, clear the RE bit to 0.



**Figure 14-7 Example of Reception Processing Flow**

With the above processing, interrupt servicing or data transfer by the DTC is possible.

If reception ends and the RDRF flag is set to 1 while the RIE bit is set to 1 and interrupt requests are enabled, a receive data full interrupt (RXI) request will be generated. If an error occurs in reception and either the ORER flag or the PER flag is set to 1, a transfer error interrupt (ERI) request will be generated.

If the DTC is activated by an RXI request, the receive data in which the error occurred is skipped, and only the number of bytes of receive data set in the DTC are transferred.

For details, see Interrupt Operation and Data Transfer Operation by DTC below.

If a parity error occurs during reception and the PER is set to 1, the received data is still transferred to RDR, and therefore this data can be read.

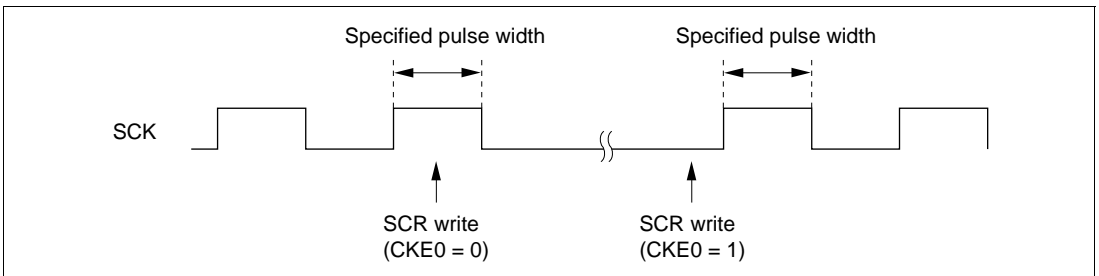
Note: For block transfer mode, see section 13.3.2, Operation in Asynchronous Mode.

**Mode Switching Operation:** When switching from receive mode to transmit mode, first confirm that the receive operation has been completed, then start from initialization, clearing RE bit to 0 and setting TE bit to 1. The RDRF flag or the PER and ORER flags can be used to check that the receive operation has been completed.

When switching from transmit mode to receive mode, first confirm that the transmit operation has been completed, then start from initialization, clearing TE bit to 0 and setting RE bit to 1. The TEND flag can be used to check that the transmit operation has been completed.

**Fixing Clock Output Level:** When the GM bit in SMR is set to 1, the clock output level can be fixed with bits CKE1 and CKE0 in SCR. At this time, the minimum clock pulse width can be made the specified width.

Figure 14-8 shows the timing for fixing the clock output level. In this example, GSM is set to 1, CKE1 is cleared to 0, and the CKE0 bit is controlled.



**Figure 14-8 Timing for Fixing Clock Output Level**

**Interrupt Operation (Except Block Transfer Mode):** There are three interrupt sources in smart card interface mode: transmit data empty interrupt (TXI) requests, transfer error interrupt (ERI)

requests, and receive data full interrupt (RXI) requests. The transmit end interrupt (TEI) request is not used in this mode.

When the TEND flag in SSR is set to 1, a TXI interrupt request is generated.

When the RDRF flag in SSR is set to 1, an RXI interrupt request is generated.

When any of flags ORER, PER, and ERS in SSR is set to 1, an ERI interrupt request is generated. The relationship between the operating states and interrupt sources is shown in table 14-8.

Note: For block transfer mode, see section 13.4, SCI Interrupts.

**Table 14-8 Smart Card Mode Operating States and Interrupt Sources**

Operating State		Flag	Enable Bit	Interrupt Source	DTC Activation
Transmit Mode	Normal operation	TEND	TIE	TXI	Possible
	Error	ERS	RIE	ERI	Not possible
Receive Mode	Normal operation	RDRF	RIE	RXI	Possible
	Error	PER, ORER	RIE	ERI	Not possible

**Data Transfer Operation by DTC:** In smart card mode, as with the normal SCI, transfer can be carried out using the DTC. In a transmit operation, the TDRE flag is also set to 1 at the same time as the TEND flag in SSR, and a TXI interrupt is generated. If the TXI request is designated beforehand as a DTC activation source, the DTC will be activated by the TXI request, and transfer of the transmit data will be carried out. The TDRE and TEND flags are automatically cleared to 0 when data transfer is performed by the DTC. In the event of an error, the SCI retransmits the same data automatically. During this period, TEND remains cleared to 0 and the DTC is not activated. Therefore, the SCI and DTC will automatically transmit the specified number of bytes, including retransmission in the event of an error. However, the ERS flag is not cleared automatically when an error occurs, and so the RIE bit should be set to 1 beforehand so that an ERI request will be generated in the event of an error, and the ERS flag will be cleared.

When performing transfer using the DTC, it is essential to set and enable the DTC before carrying out SCI setting. For details of the DTC setting procedures, see section 8, Data Transfer Controller (DTC).

In a receive operation, an RXI interrupt request is generated when the RDRF flag in SSR is set to 1. If the RXI request is designated beforehand as a DTC activation source, the DTC will be activated by the RXI request, and transfer of the receive data will be carried out. The RDRF flag is cleared to 0 automatically when data transfer is performed by the DTC. If an error occurs, an error flag is set but the RDRF flag is not. Consequently, the DTC is not activated, but instead, an ERI interrupt request is sent to the CPU. Therefore, the error flag should be cleared.

Note: For block transfer mode, see section 13.4, SCI Interrupts.

### 14.3.7 Operation in GSM Mode

**Switching the Mode:** When switching between smart card interface mode and software standby mode, the following switching procedure should be followed in order to maintain the clock duty.

- When changing from smart card interface mode to software standby mode
  - [1] Set the data register (DR) and data direction register (DDR) corresponding to the SCK pin to the value for the fixed output state in software standby mode.
  - [2] Write 0 to the TE bit and RE bit in the serial control register (SCR) to halt transmit/receive operation. At the same time, set the CKE1 bit to the value for the fixed output state in software standby mode.
  - [3] Write 0 to the CKE0 bit in SCR to halt the clock.
  - [4] Wait for one serial clock period.  
During this interval, clock output is fixed at the specified level, with the duty preserved.
  - [5] Make the transition to the software standby state.
  
- When returning to smart card interface mode from software standby mode
  - [6] Exit the software standby state.
  - [7] Write 1 to the CKE0 bit in SCR and output the clock. Signal generation is started with the normal duty.

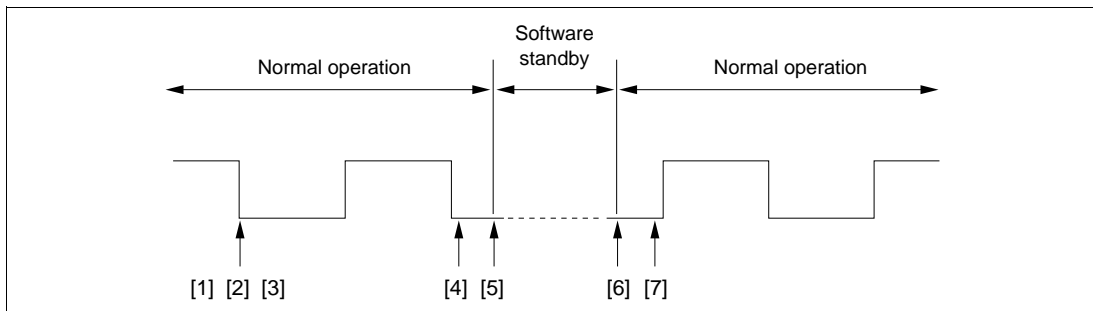


Figure 14-9 Clock Halt and Restart Procedure

**Powering On:** To secure the clock duty from power-on, the following switching procedure should be followed.

- [1] The initial state is port input and high impedance. Use a pull-up resistor or pull-down resistor to fix the potential.
- [2] Fix the SCK pin to the specified output level with the CKE1 bit in SCR.
- [3] Set SMR and SCMR, and switch to smart card mode operation.
- [4] Set the CKE0 bit in SCR to 1 to start clock output.

### **14.3.8 Operation in Block Transfer Mode**

Operation in block transfer mode is the same as in SCI asynchronous mode, except for the following points. For details, see section 13.3.2, Operation in Asynchronous Mode.

#### **(1) Data Format**

The data format is 8 bits with parity. There is no stop bit, but there is a 2-bit (1-bit or more in reception) error guard time.

Also, except during transmission (with start bit, data bits, and parity bit), the transmission pins go to the high-impedance state, so the signal lines must be fixed high with a pull-up resistor.

#### **(2) Transmit/Receive Clock**

Only an internal clock generated by the on-chip baud rate generator can be used as the transmit/receive clock. The number of basic clock periods in a 1-bit transfer interval can be set to 32, 64, 372, or 256 with bits BCP1 and BCP0. For details, see section 14.3.5, Clock.

#### **(3) ERS (FER) Flag**

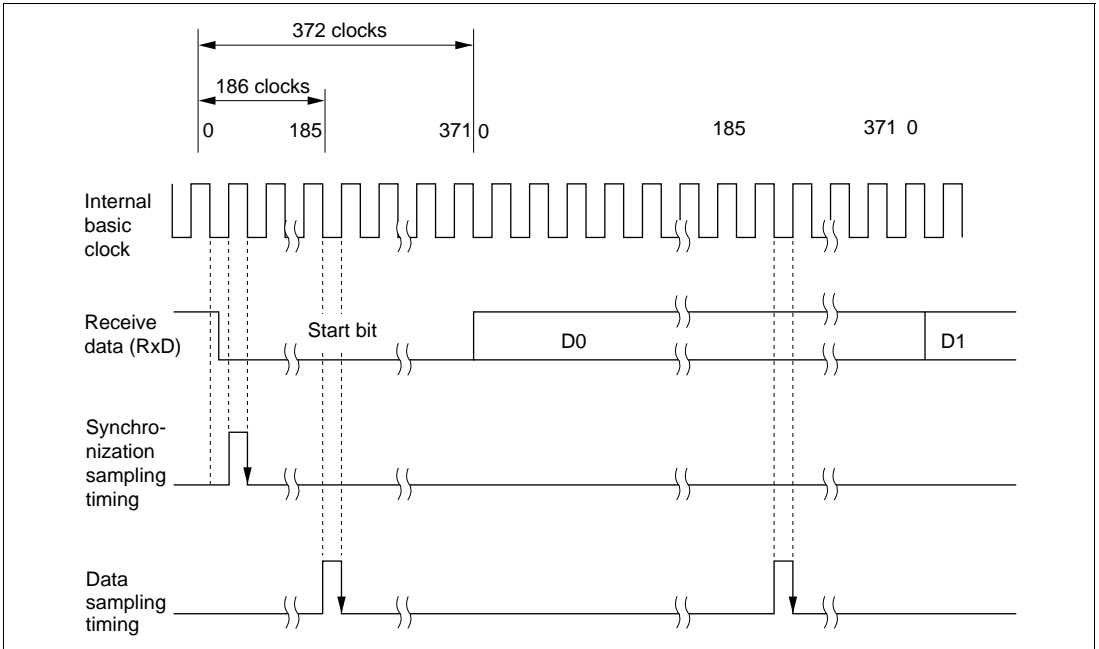
As with the normal Smart Card interface, the ERS flag indicates the error signal status, but since error signal transmission and reception is not performed, this flag is always cleared to 0.

## 14.4 Usage Notes

The following points should be noted when using the SCI as a Smart Card interface.

**Receive Data Sampling Timing and Reception Margin in Smart Card Interface Mode:** In Smart Card interface mode, the SCI operates on a basic clock with a frequency of 32, 64, 372, or 256 times the transfer rate (as determined by bits BCP1 and BCP0).

In reception, the SCI samples the falling edge of the start bit using the basic clock, and performs internal synchronization. Receive data is latched internally at the rising edge of the 16th, 32nd, 186th, or 128th pulse of the basic clock. Figure 14-10 shows the receive data sampling timing when using a clock of 372 times the transfer rate.



**Figure 14-10 Receive Data Sampling Timing in Smart Card Mode  
(Using Clock of 372 Times the Transfer Rate)**

Thus the reception margin in asynchronous mode is given by the following formula.

Formula for reception margin in smart card interface mode

$$M = \left| \left( 0.5 - \frac{1}{2N} \right) - (L - 0.5) F - \frac{|D - 0.5|}{N} (1 + F) \right| \times 100\%$$

Where M: Reception margin (%)

N: Ratio of bit rate to clock (N = 32, 64, 372, and 256)

D: Clock duty (D = 0 to 1.0)

L: Frame length (L = 10)

F: Absolute value of clock frequency deviation

Assuming values of F = 0, D = 0.5 and N = 372 in the above formula, the reception margin formula is as follows.

When D = 0.5 and F = 0,

$$\begin{aligned} M &= (0.5 - 1/2 \times 372) \times 100\% \\ &= 49.866\% \end{aligned}$$

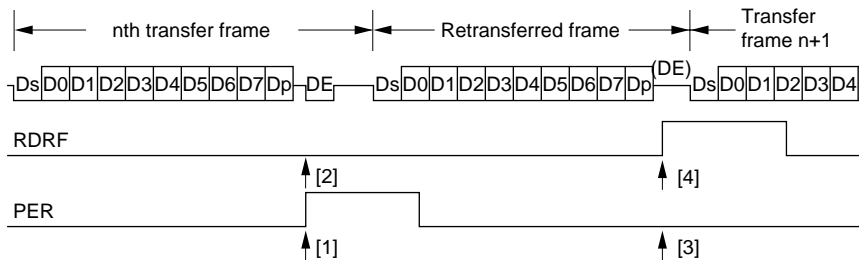
**Retransfer Operations (Except Block Transfer Mode):** Retransfer operations are performed by the SCI in receive mode and transmit mode as described below.

- Retransfer operation when SCI is in receive mode

Figure 14-11 illustrates the retransfer operation when the SCI is in receive mode.

- [1] If an error is found when the received parity bit is checked, the PER bit in SSR is automatically set to 1. If the RIE bit in SCR is enabled at this time, an ERI interrupt request is generated. The PER bit in SSR should be kept cleared to 0 until the next parity bit is sampled.
- [2] The RDRF bit in SSR is not set for a frame in which an error has occurred.
- [3] If no error is found when the received parity bit is checked, the PER bit in SSR is not set to 1.
- [4] If no error is found when the received parity bit is checked, the receive operation is judged to have been completed normally, and the RDRF flag in SSR is automatically set to 1. If the RIE bit in SCR is enabled at this time, an RXI interrupt request is generated.  
If DTC data transfer by an RXI source is enabled, the contents of RDR can be read automatically. When the RDR data is read by the DTC, the RDRF flag is automatically cleared to 0.
- [5] When a normal frame is received, the pin retains the high-impedance state at the timing for error signal transmission.





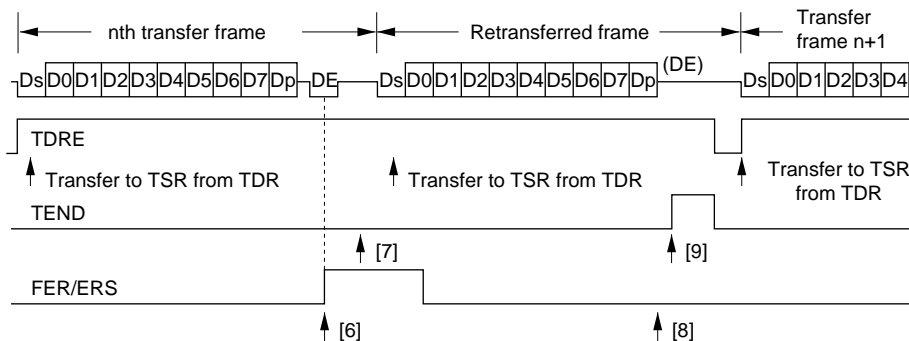
**Figure 14-11 Retransfer Operation in SCI Receive Mode**

- Retransfer operation when SCI is in transmit mode

Figure 14-12 illustrates the retransfer operation when the SCI is in transmit mode.

- [6] If an error signal is sent back from the receiving end after transmission of one frame is completed, the ERS bit in SSR is set to 1. If the RIE bit in SCR is enabled at this time, an ERI interrupt request is generated. The ERS bit in SSR should be kept cleared to 0 until the next parity bit is sampled.
- [7] The TEND bit in SSR is not set for a frame for which an error signal indicating an abnormality is received.
- [8] If an error signal is not sent back from the receiving end, the ERS bit in SSR is not set.
- [9] If an error signal is not sent back from the receiving end, transmission of one frame, including a retransfer, is judged to have been completed, and the TEND bit in SSR is set to 1. If the TIE bit in SCR is enabled at this time, a TXI interrupt request is generated.

If data transfer by the DTC by means of the TXI source is enabled, the next data can be written to TDR automatically. When data is written to TDR by the DTC, the TDRE bit is automatically cleared to 0.



**Figure 14-12 Retransfer Operation in SCI Transmit Mode**



# Section 15 Hitachi Controller Area Network (HCAN)

## 15.1 Overview

The HCAN is a module for controlling a controller area network (CAN) for realtime communication in vehicular and industrial equipment systems, etc. The H8S/2626 Series and H8S/2623 Series have a single-channel on-chip HCAN module.

Reference: BOSCH CAN Specification Version 2.0 1991, Robert Bosch GmbH

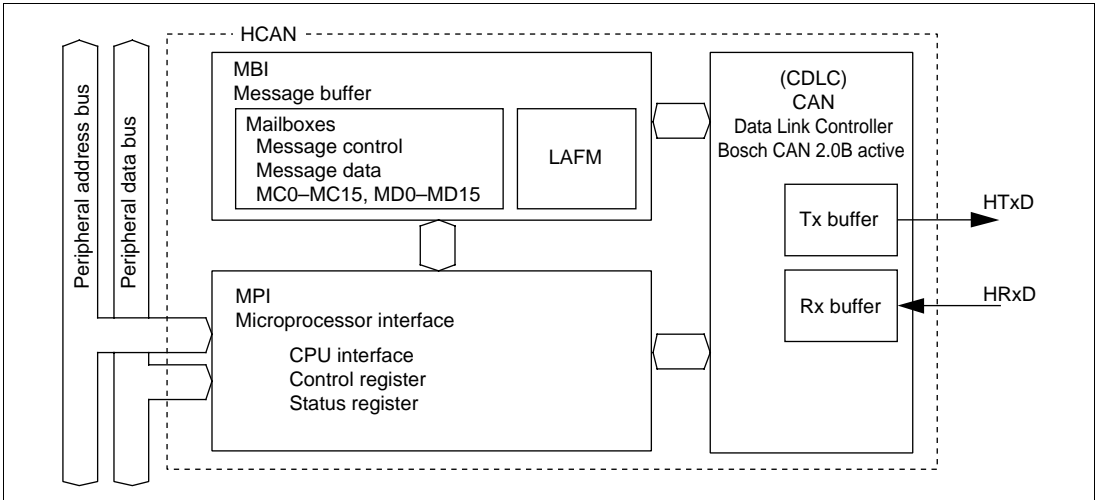
### 15.1.1 Features

- CAN version: Bosch 2.0B active compatible
  - Communication systems:
    - NRZ (Non-Return to Zero) system (with bit-stuffing function)
    - Broadcast communication system
  - Transmission path: Bidirectional 2-wire serial communication
  - Communication speed: Max. 1 Mbps
  - Data length: 0 to 8 bytes
- Number of channels: 1
- Data buffers: 16 (one receive-only buffer and 15 buffers settable for transmission/reception)
- Data transmission: Choice of two methods:
  - Mailbox (buffer) number order (low-to-high)
  - Message priority (identifier) high-to-low order
- Data reception: Two methods:
  - Message identifier match (transmit/receive-setting buffers)
  - Reception with message identifier masked (receive-only)
- CPU interrupts: Five interrupt vectors:
  - Error interrupt
  - Reset processing interrupt
  - Message reception interrupt (mailboxes 1 to 15)
  - Message reception interrupt (mailbox 0)
  - Message transmission interrupt
- HCAN operating modes: Support for various modes:
  - Hardware reset
  - Software reset
  - Normal status (error-active, error-passive)
  - Bus off status

- HCAN configuration mode
- HCAN sleep mode
- HCAN halt mode
- Other features: DTC can be activated by message reception mailbox (HCAN mailbox 0 only)

### 15.1.2 Block Diagram

Figure 15-1 shows a block diagram of the HCAN.



**Figure 15-1 HCAN Block Diagram**

**Message Buffer Interface (MBI):** The MBI, consisting of mailboxes and a local acceptance filter mask (LAFM), stores CAN transmit/receive messages (identifiers, data, etc.) Transmit messages are written by the CPU. For receive messages, the data received by the CDLC is stored automatically.

**Microprocessor Interface (MPI):** The MPI, consisting of a bus interface, control register, status register, etc., controls HCAN internal data, statuses, and so forth.

**CAN Data Link Controller (CDLC):** The CDLC performs transmission and reception of messages conforming to the Bosch CAN Ver. 2.0B active standard (data frames, remote frames, error frames, overload frames, inter-frame spacing), as well as CRC checking, bus arbitration, and other functions.

### 15.1.3 Pin Configuration

Table 15-1 shows the HCAN's pins.

When using HCAN pins, settings must be made in the HCAN configuration mode (during initialization: MCR0 = 1 and GSR3 = 1).

**Table 15-1 HCAN Pins**

<b>Name</b>	<b>Abbreviation</b>	<b>Input/Output</b>	<b>Function</b>
HCAN transmit data pin	HTxD	Output	CAN bus transmission pin
HCAN receive data pin	HRxD	Input	CAN bus reception pin

A bus driver is necessary between the pins and the CAN bus. A Philips PCA82C250 compatible model is recommended.

## 15.1.4 Register Configuration

Table 15-2 lists the HCAN's registers.

**Table 15-2 HCAN Registers**

Name	Abbreviation	R/W	Initial Value	Address*	Access Size
Master control register	MCR	R/W	H'01	H'F800	8 bits 16 bits
General status register	GSR	R/W	H'0C	H'F801	8 bits
Bit configuration register	BCR	R/W	H'0000	H'F802	8/16 bits
Mailbox configuration register	MBCR	R/W	H'0100	H'F804	8/16 bits
Transmit wait register	TXPR	R/W	H'0000	H'F806	8/16 bits
Transmit wait cancel register	TXCR	R/W	H'0000	H'F808	8/16 bits
Transmit acknowledge register	TXACK	R/W	H'0000	H'F80A	8/16 bits
Abort acknowledge register	ABACK	R/W	H'0000	H'F80C	8/16 bits
Receive complete register	RXPR	R/W	H'0000	H'F80E	8/16 bits
Remote request register	RFPR	R/W	H'0000	H'F810	8/16 bits
Interrupt register	IRR	R/W	H'0100	H'F812	8/16 bits
Mailbox interrupt mask register	MBIMR	R/W	H'FFFF	H'F814	8/16 bits
Interrupt mask register	IMR	R/W	H'FEFF	H'F816	8/16 bits
Receive error counter	REC	R	H'00	H'F818	8 bits 16 bits
Transmit error counter	TEC	R	H'00	H'F819	8 bits
Unread message status register	UMSR	R/W	H'0000	H'F81A	8/16 bits
Local acceptance filter mask L	LAFML	R/W	H'0000	H'F81C	8/16 bits
Local acceptance filter mask H	LAFMH	R/W	H'0000	H'F81E	8/16 bits

<b>Name</b>	<b>Abbreviation</b>	<b>R/W</b>	<b>Initial Value</b>	<b>Address*</b>	<b>Access Size</b>
Message control 0 [1:8]	MC0 [1:8]	R/W	Undefined	H'F820	8/16 bits
Message control 1 [1:8]	MC1 [1:8]	R/W	Undefined	H'F828	8/16 bits
Message control 2 [1:8]	MC2 [1:8]	R/W	Undefined	H'F830	8/16 bits
Message control 3 [1:8]	MC3 [1:8]	R/W	Undefined	H'F838	8/16 bits
Message control 4 [1:8]	MC4 [1:8]	R/W	Undefined	H'F840	8/16 bits
Message control 5 [1:8]	MC5 [1:8]	R/W	Undefined	H'F848	8/16 bits
Message control 6 [1:8]	MC6 [1:8]	R/W	Undefined	H'F850	8/16 bits
Message control 7 [1:8]	MC7 [1:8]	R/W	Undefined	H'F858	8/16 bits
Message control 8 [1:8]	MC8 [1:8]	R/W	Undefined	H'F860	8/16 bits
Message control 9 [1:8]	MC9 [1:8]	R/W	Undefined	H'F868	8/16 bits
Message control 10 [1:8]	MC10 [1:8]	R/W	Undefined	H'F870	8/16 bits
Message control 11 [1:8]	MC11 [1:8]	R/W	Undefined	H'F878	8/16 bits
Message control 12 [1:8]	MC12 [1:8]	R/W	Undefined	H'F880	8/16 bits
Message control 13 [1:8]	MC13 [1:8]	R/W	Undefined	H'F888	8/16 bits
Message control 14 [1:8]	MC14 [1:8]	R/W	Undefined	H'F890	8/16 bits
Message control 15 [1:8]	MC15 [1:8]	R/W	Undefined	H'F898	8/16 bits
Message data 0 [1:8]	MD0 [1:8]	R/W	Undefined	H'F8B0	8/16 bits
Message data 1 [1:8]	MD1 [1:8]	R/W	Undefined	H'F8B8	8/16 bits
Message data 2 [1:8]	MD2 [1:8]	R/W	Undefined	H'F8C0	8/16 bits
Message data 3 [1:8]	MD3 [1:8]	R/W	Undefined	H'F8C8	8/16 bits
Message data 4 [1:8]	MD4 [1:8]	R/W	Undefined	H'F8D0	8/16 bits
Message data 5 [1:8]	MD5 [1:8]	R/W	Undefined	H'F8D8	8/16 bits
Message data 6 [1:8]	MD6 [1:8]	R/W	Undefined	H'F8E0	8/16 bits
Message data 7 [1:8]	MD7 [1:8]	R/W	Undefined	H'F8E8	8/16 bits
Message data 8 [1:8]	MD8 [1:8]	R/W	Undefined	H'F8F0	8/16 bits
Message data 9 [1:8]	MD9 [1:8]	R/W	Undefined	H'F8F8	8/16 bits
Message data 10 [1:8]	MD10 [1:8]	R/W	Undefined	H'F900	8/16 bits
Message data 11 [1:8]	MD11 [1:8]	R/W	Undefined	H'F908	8/16 bits
Message data 12 [1:8]	MD12 [1:8]	R/W	Undefined	H'F910	8/16 bits
Message data 13 [1:8]	MD13 [1:8]	R/W	Undefined	H'F918	8/16 bits
Message data 14 [1:8]	MD14 [1:8]	R/W	Undefined	H'F920	8/16 bits
Message data 15 [1:8]	MD15 [1:8]	R/W	Undefined	H'F928	8/16 bits
Module stop control register C	MSTPCRC	R/W	H'FF	H'FDEA	8/16 bits

Note: \* Lower 16 bits of the address.

## 15.2 Register Descriptions

### 15.2.1 Master Control Register (MCR)

The master control register (MCR) is an 8-bit readable/writable register that controls the CAN interface.

#### MCR

Bit:	7	6	5	4	3	2	1	0
	MCR7	—	MCR5	—	—	MCR2	MCR1	MCR0
Initial value:	0	0	0	0	0	0	0	1
R/W:	R/W	R	R/W	R	R	R/W	R/W	R/W

**Bit 7—HCAN Sleep Mode Release (MCR7):** Enables or disables HCAN sleep mode release by bus operation.

Bit 7: MCR7	Description
0	HCAN sleep mode release by CAN bus operation disabled (Initial value)
1	HCAN sleep mode release by CAN bus operation enabled

**Bit 6—Reserved:** This bit always reads 0. The write value should always be 0.

**Bit 5—HCAN Sleep Mode (MCR5):** Enables or disables HCAN sleep mode transition.

Bit 5: MCR5	Description
0	HCAN sleep mode released (Initial value)
1	Transition to HCAN sleep mode enabled

**Bits 4 and 3—Reserved:** These bits always read 0. The write value should always be 0.

**Bit 2—Message Transmission Method (MCR2):** Selects the transmission method for transmit messages.

Bit 2: MCR2	Description
0	Transmission order determined by message identifier priority (Initial value)
1	Transmission order determined by mailbox (buffer) number priority (TXPR1 > TXPR15)



**Bit 1—Halt Request (MCR1):** Controls halting of the HCAN module.

Bit 1: MCR1	Description
0	HCAN normal operating mode (Initial value)
1	HCAN halt mode transition request

**Bit 0—Reset Request (MCR0):** Controls resetting of the HCAN module.

Bit 0: MCR0	Description
0	Normal operating mode (MCR0 = 0 and GSR3 = 0) [Setting condition] When 0 is written after an HCAN reset
1	HCAN reset mode transition request (Initial value)

In order for GSR3 to change from 1 to 0 after 0 is written to MCR0, time is required before the HCAN is internally reset. There is consequently a delay before GSR3 is cleared to 0 after MCR0 is cleared to 0.

## 15.2.2 General Status Register (GSR)

The general status register (GSR) is an 8-bit readable register that indicates the status of the CAN bus.

### GSR

Bit:	7	6	5	4	3	2	1	0
	—	—	—	—	GSR3	GSR2	GSR1	GSR0
Initial value:	0	0	0	0	1	1	0	0
R/W:	R	R	R	R	R	R	R	R

**Bits 7 to 4—Reserved:** These bits always read 0.

**Bit 3—Reset Status Bit (GSR3):** Indicates whether the HCAN module is in the normal operating state or the reset state. Writes are invalid.

Bit 3: GSR3	Description
0	Normal operating state [Setting condition] After an HCAN internal reset
1	Configuration mode [Reset condition] MCR0 reset mode and sleep mode (Initial value)

**Bit 2—Message Transmission Status Flag (GSR2):** Flag that indicates whether the module is currently in the message transmission period. The “message transmission period” is the period from the start of message transmission (SOF) until the end of a 3-bit intermission interval after EOF (End of Frame). Writes are invalid.

Bit 2: GSR2	Description
0	Message transmission period
1	[Reset Condition] Idle period (Initial value)

**Bit 1—Transmit/Receive Warning Flag (GSR1):** Flag that indicates an error warning. Writes are invalid.

Bit 1: GSR1	Description
0	[Reset condition] When $TEC < 96$ and $REC < 96$ or $TEC \geq 256$ (Initial value)
1	When $TEC \geq 96$ or $REC \geq 96$

**Bit 0—Bus Off Flag (GSR0):** Flag that indicates the bus off state. Writes are invalid.

Bit 0: GSR0	Description
0	[Reset condition] Recovery from bus off state (Initial value)
1	When $TEC \geq 256$ (bus off state)

## 15.2.3 Bit Configuration Register (BCR)

The bit configuration register (BCR) is a 16-bit readable/writable register that is used to set CAN bit timing parameters and the baud rate prescaler.

### BCR

Bit:	15	14	13	12	11	10	9	8
	BCR7	BCR6	BCR5	BCR4	BCR3	BCR2	BCR1	BCR0
Initial value:	0	0	0	0	0	0	0	0
R/W:	R/W	R/W	R/W	R/W	R/W	R/W	R/W	R/W
Bit:	7	6	5	4	3	2	1	0
	BCR15	BCR14	BCR13	BCR12	BCR11	BCR10	BCR9	BCR8
Initial value:	0	0	0	0	0	0	0	0
R/W:	R/W	R/W	R/W	R/W	R/W	R/W	R/W	R/W

**Bits 15 and 14—Resynchronization Jump Width (SJW):** These bits set the bit synchronization range.

Bit 15: BCR7	Bit 14: BCR6	Description
0	0	Bit synchronization width = 1 time quantum (Initial value)
	1	Bit synchronization width = 2 time quanta
1	0	Bit synchronization width = 3 time quanta
	1	Bit synchronization width = 4 time quanta

**Bits 13 to 8—Baud Rate Prescaler (BRP):** These bits are used to set the CAN bus baud rate.

Bit 13: BCR5	Bit 12: BCR4	Bit 11: BCR3	Bit 10: BCR2	Bit 9: BCR1	Bit 8: BCR0	Description
0	0	0	0	0	0	2 × system clock (Initial value)
0	0	0	0	0	1	4 × system clock
0	0	0	0	1	0	6 × system clock
.	.	.	.	.	.	.
.	.	.	.	.	.	.
.	.	.	.	.	.	.
1	1	1	1	1	1	128 × system clock

**Bit 7—Bit Sample Point (BSP):** Sets the point at which data is sampled.

Bit 7: BCR15	Description
0	Bit sampling at one point (end of time segment 1 (TSEG1)) (Initial value)
1	Bit sampling at three points (end of TSEG1 and preceding and following time quantum)

**Bits 6 to 4—Time Segment 2 (TSEG2):** These bits are used to set the segment for correcting 1-bit time error. A value from 2 to 8 can be set.

Bit 6: BCR14	Bit 5: BCR13	Bit 4: BCR12	Description
0	0	0	Setting prohibited (Initial value)
		1	TSEG2 = 2 time quanta
	1	0	TSEG2 = 3 time quanta
		1	TSEG2 = 4 time quanta
1	0	0	TSEG2 = 5 time quanta
		1	TSEG2 = 6 time quanta
	1	0	TSEG2 = 7 time quanta
		1	TSEG2 = 8 time quanta

**Bits 3 to 0—Time Segment 1 (TSEG1):** These bits are used to set the segment for absorbing output buffer, CAN bus, and input buffer delay. A value from 1 to 16 can be set.

Bit 3: BCR11	Bit 2: BCR10	Bit 1: BCR9	Bit 0: BCR8	Description
0	0	0	0	Setting prohibited (Initial value)
0	0	0	1	Setting prohibited
0	0	1	0	Setting prohibited
0	0	1	1	TSEG1 = 4 time quanta
0	1	0	0	TSEG1 = 5 time quanta
.	.	.	.	.
.	.	.	.	.
.	.	.	.	.
1	1	1	1	TSEG1 = 16 time quanta

## 15.2.4 Mailbox Configuration Register (MBCR)

The mailbox configuration register (MBCR) is a 16-bit readable/writable register that is used to set mailbox (buffer) transmission/reception.

### MBCR

Bit:	15	14	13	12	11	10	9	8
	MBCR7	MBCR6	MBCR5	MBCR4	MBCR3	MBCR2	MBCR1	—
Initial value:	0	0	0	0	0	0	0	1
R/W:	R/W	R/W	R/W	R/W	R/W	R/W	R/W	R
Bit:	7	6	5	4	3	2	1	0
	MBCR15	MBCR14	MBCR13	MBCR12	MBCR11	MBCR10	MBCR9	MBCR8
Initial value:	0	0	0	0	0	0	0	0
R/W:	R/W	R/W	R/W	R/W	R/W	R/W	R/W	R/W

**Bits 15 to 9 and 7 to 0—Mailbox Setting Register (MBCR7 to MBCR1, MBCR15 to MBCR8):** These bits set the polarity of the corresponding mailboxes.

Bit x: MBCRx	Description
0	Corresponding mailbox is set for transmission (Initial value)
1	Corresponding mailbox is set for reception

**Bit 8—Reserved:** This bit always reads 1. The write value should always be 1.

## 15.2.5 Transmit Wait Register (TXPR)

The transmit wait register (TXPR) is a 16-bit readable/writable register that is used to set a transmit wait after a transmit message is stored in a mailbox (buffer) (CAN bus arbitration wait).

### TXPR

Bit:	15	14	13	12	11	10	9	8
	TXPR7	TXPR6	TXPR5	TXPR4	TXPR3	TXPR2	TXPR1	—
Initial value:	0	0	0	0	0	0	0	0
R/W:	R/W	R/W	R/W	R/W	R/W	R/W	R/W	R
Bit:	7	6	5	4	3	2	1	0
	TXPR15	TXPR14	TXPR13	TXPR12	TXPR11	TXPR10	TXPR9	TXPR8
Initial value:	0	0	0	0	0	0	0	0
R/W:	R/W	R/W	R/W	R/W	R/W	R/W	R/W	R/W

### Bits 15 to 9 and 7 to 0—Transmit Wait Register (TXPR7 to TXPR1, TXPR15 to TXPR8):

These bits set a transmit wait for the corresponding mailboxes.

Bit x: TXPRx	Description
0	Transmit message idle state in corresponding mailbox (Initial value) [Clearing condition] Message transmission completion and cancellation completion
1	Transmit message transmit wait in corresponding mailbox (CAN bus arbitration)

**Bit 8—Reserved:** This bit always reads 0. The write value should always be 0.

## 15.2.6 Transmit Wait Cancel Register (TXCR)

The transmit wait cancel register (TXCR) is a 16-bit readable/writable register that controls cancellation of transmit wait messages in mailboxes (buffers).

### TXCR

Bit:	15	14	13	12	11	10	9	8
	TXCR7	TXCR6	TXCR5	TXCR4	TXCR3	TXCR2	TXCR1	—
Initial value:	0	0	0	0	0	0	0	0
R/W:	R/W	R/W	R/W	R/W	R/W	R/W	R/W	R
Bit:	7	6	5	4	3	2	1	0
	TXCR15	TXCR14	TXCR13	TXCR12	TXCR11	TXCR10	TXCR9	TXCR8
Initial value:	0	0	0	0	0	0	0	0
R/W:	R/W	R/W	R/W	R/W	R/W	R/W	R/W	R/W

**Bits 15 to 9 and 7 to 0—Transmit Wait Cancel Register (TXCR7 to TXCR1, TXCR15 to TXCR8):** These bits control cancellation of transmit wait messages in the corresponding HCAN mailboxes.

Bit x: TXCRx	Description
0	Transmit message cancellation idle state in corresponding mailbox (Initial value)  [Clearing condition] Completion of TXPR clearing (when transmit message is canceled normally)
1	TXPR cleared for corresponding mailbox (transmit message cancellation)

**Bit 8—Reserved:** This bit always reads 0. The write value should always be 0.

## 15.2.7 Transmit Acknowledge Register (TXACK)

The transmit acknowledge register (TXACK) is a 16-bit readable/writable register containing status flags that indicate normal transmission of mailbox (buffer) transmit messages.

### TXACK

Bit:	15	14	13	12	11	10	9	8
	TXACK7	TXACK6	TXACK5	TXACK4	TXACK3	TXACK2	TXACK1	—
Initial value:	0	0	0	0	0	0	0	0
R/W:	R/(W)*	R/(W)*	R/(W)*	R/(W)*	R/(W)*	R/(W)*	R/(W)*	R
Bit:	7	6	5	4	3	2	1	0
	TXACK15	TXACK14	TXACK13	TXACK12	TXACK11	TXACK10	TXACK9	TXACK8
Initial value:	0	0	0	0	0	0	0	0
R/W:	R/(W)*	R/(W)*	R/(W)*	R/(W)*	R/(W)*	R/(W)*	R/(W)*	R/(W)*

Note: \* Can only be written with 1 for flag clearing.

**Bits 15 to 9 and 7 to 0—Transmit Acknowledge Register (TXACK7 to TXACK1, TXACK15 to TXACK8):** These bits indicate that a transmit message in the corresponding HCAN mailbox has been transmitted normally.

Bit x: TXACKx	Description
0	[Clearing condition] Writing 1 (Initial value)
1	Completion of message transmission for corresponding mailbox

**Bit 8—Reserved:** This bit always reads 0. The write value should always be 0.



## 15.2.8 Abort Acknowledge Register (ABACK)

The abort acknowledge register (ABACK) is a 16-bit readable/writable register containing status flags that indicate normal cancellation (aborting) of a mailbox (buffer) transmit messages.

### ABACK

Bit:	15	14	13	12	11	10	9	8
	ABACK7	ABACK6	ABACK5	ABACK4	ABACK3	ABACK2	ABACK1	—
Initial value:	0	0	0	0	0	0	0	0
R/W:	R/(W)*	R/(W)*	R/(W)*	R/(W)*	R/(W)*	R/(W)*	R/(W)*	R
Bit:	7	6	5	4	3	2	1	0
	ABACK15	ABACK14	ABACK13	ABACK12	ABACK11	ABACK10	ABACK9	ABACK8
Initial value:	0	0	0	0	0	0	0	0
R/W:	R/(W)*	R/(W)*	R/(W)*	R/(W)*	R/(W)*	R/(W)*	R/(W)*	R/(W)*

Note: \* Can only be written with 1 for flag clearing.

**Bits 15 to 9 and 7 to 0—Abort Acknowledge Register (ABACK7 to ABACK1, ABACK15 to ABACK8):** These bits indicate that a transmit message in the corresponding mailbox has been canceled (aborted) normally.

Bit x: ABACKx	Description
0	[Clearing condition] Writing 1 <span style="float: right;">(Initial value)</span>
1	Completion of transmit message cancellation for corresponding mailbox

**Bit 8—Reserved:** This bit always reads 0. The write value should always be 0.

## 15.2.9 Receive Complete Register (RXPR)

The receive complete register (RXPR) is a 16-bit readable/writable register containing status flags that indicate normal reception of messages (data frame or remote frame) in mailboxes (buffers).

In the case of remote frame reception, the corresponding remote request register (RFPR) is also set simultaneously.

### RXPR

Bit:	15	14	13	12	11	10	9	8
	RXPR7	RXPR6	RXPR5	RXPR4	RXPR3	RXPR2	RXPR1	RXPR0
Initial value:	0	0	0	0	0	0	0	0
R/W:	R/(W)*	R/(W)*	R/(W)*	R/(W)*	R/(W)*	R/(W)*	R/(W)*	R/(W)*
Bit:	7	6	5	4	3	2	1	0
	RXPR15	RXPR14	RXPR13	RXPR12	RXPR11	RXPR10	RXPR9	RXPR8
Initial value:	0	0	0	0	0	0	0	0
R/W:	R/(W)*	R/(W)*	R/(W)*	R/(W)*	R/(W)*	R/(W)*	R/(W)*	R/(W)*

Note: \* Can only be written with 1 for flag clearing.

**Bits 15 to 0—Receive Complete Register (RXPR7 to RXPR0, RXPR15 to RXPR8):** These bits indicate that a receive message has been received normally in the corresponding mailbox.

Bit x: RXPRx	Description
0	[Clearing condition] Writing 1 <span style="float: right;">(Initial value)</span>
1	Completion of message (data frame or remote frame) reception in corresponding mailbox

## 15.2.10 Remote Request Register (RFPR)

The remote request register (RFPR) is a 16-bit readable/writable register containing status flags that indicate normal reception of remote frames in mailboxes (buffers). When a bit in this register is set, the corresponding reception complete bit is set simultaneously.

### RFPR

Bit:	15	14	13	12	11	10	9	8
	RFPR7	RFPR6	RFPR5	RFPR4	RFPR3	RFPR2	RFPR1	RFPR0
Initial value:	0	0	0	0	0	0	0	0
R/W:	R/(W)*	R/(W)*	R/(W)*	R/(W)*	R/(W)*	R/(W)*	R/(W)*	R/(W)*
Bit:	7	6	5	4	3	2	1	0
	RFPR15	RFPR14	RFPR13	RFPR12	RFPR11	RFPR10	RFPR9	RFPR8
Initial value:	0	0	0	0	0	0	0	0
R/W:	R/(W)*	R/(W)*	R/(W)*	R/(W)*	R/(W)*	R/(W)*	R/(W)*	R/(W)*

Note: \* Can only be written with 1 for flag clearing.

**Bits 15 to 0—Remote Request Register (RFPR7 to PFPR0, RFPR15 to PFDR8):** These bits indicate that a remote frame has been received normally in the corresponding mailbox.

Bit x: RFPRx	Description
0	[Clearing condition] Writing 1 <span style="float: right;">(Initial value)</span>
1	Completion of remote frame reception in corresponding mailbox

## 15.2.11 Interrupt Register (IRR)

The interrupt register (IRR) is a 16-bit readable/writable register containing status flags for the various interrupt sources.

### IRR

Bit:	15	14	13	12	11	10	9	8
	IRR7	IRR6	IRR5	IRR4	IRR3	IRR2	IRR1	IRR0
Initial value:	0	0	0	0	0	0	0	1
R/W:	R/(W)*	R/(W)*	R/(W)*	R/(W)*	R/(W)*	R	R	R/(W)*
Bit:	7	6	5	4	3	2	1	0
	—	—	—	IRR12	—	—	IRR9	IRR8
Initial value:	0	0	0	0	0	0	0	0
R/W:	—	—	—	R/(W)*	—	—	R	R/(W)*

Note: \* Can only be written with 1 for flag clearing.

**Bit 15—Overload Frame/Bus Off Recovery Interrupt Flag (IRR7):** Status flag indicating that the HCAN has transmitted an overload frame or recovered from the bus off state.

Bit 15: IRR7	Description
0	[Clearing condition] Writing 1 <span style="float: right;">(Initial value)</span>
1	Overload frame transmission or recovery from bus off state [Setting conditions] Error active/passive state <ul style="list-style-type: none"> <li>• When overload frame is transmitted</li> </ul> Bus off state <ul style="list-style-type: none"> <li>• When 11 recessive bits is received 128 times (REC 128)</li> </ul>

**Bit 14—Bus Off Interrupt Flag (IRR6):** Status flag indicating the bus off state caused by the transmit error counter.

Bit 14: IRR6	Description
0	[Clearing condition] Writing 1 <span style="float: right;">(Initial value)</span>
1	Bus off state caused by transmit error [Setting condition] When TEC ≥ 256

**Bit 13—Error Passive Interrupt Flag (IRR5):** Status flag indicating the error passive state caused by the transmit/receive error counter.

Bit 13: IRR5	Description
0	[Clearing condition] Writing 1 (Initial value)
1	Error passive state caused by transmit/receive error [Setting condition] When $TEC \geq 128$ or $REC \geq 128$

**Bit 12—Receive Overload Warning Interrupt Flag (IRR4):** Status flag indicating the error warning state caused by the receive error counter.

Bit 12: IRR4	Description
0	[Clearing condition] Writing 1 (Initial value)
1	Error warning state caused by receive error [Setting condition] When $REC \geq 96$

**Bit 11—Transmit Overload Warning Interrupt Flag (IRR3):** Status flag indicating the error warning state caused by the transmit error counter.

Bit 11: IRR3	Description
0	[Clearing condition] Writing 1 (Initial value)
1	Error warning state caused by transmit error [Setting condition] When $TEC \geq 96$

**Bit 10—Remote Frame Request Interrupt Flag (IRR2):** Status flag indicating that a remote frame has been received in a mailbox (buffer).

Bit 10: IRR2	Description
0	[Clearing condition] Clearing of all bits in RFPR (remote request register) of mailbox for which receive interrupt requests are enabled by MBIMR (Initial value)
1	Remote frame received and stored in mailbox [Setting conditions] When remote frame reception is completed, when corresponding MBIMR = 0

**Bit 9—Receive Message Interrupt Flag (IRR1):** Status flag indicating that a mailbox (buffer) receive message has been received normally.

Bit 9: IRR1	Description
0	[Clearing condition] Clearing of all bits in RXPR (receive complete register) of mailbox for which receive interrupt requests are enabled by MBIMR (Initial value)
1	Data frame or remote frame received and stored in mailbox [Setting conditions] When data frame or remote frame reception is completed, when corresponding MBIMR = 0

**Bit 8—Reset Interrupt Flag (IRR0):** Status flag indicating that the HCAN module has been reset. This bit cannot be masked in the interrupt mask register (IMR). If this bit is not cleared after reset input or recovery from software standby mode, interrupt handling will be performed as soon as interrupts are enabled by the interrupt controller.

Bit 8: IRR0	Description
0	[Clearing condition] Writing 1
1	Hardware reset (HCAN module stop*, software standby) (Initial value) [Setting condition] When reset processing is completed after a hardware reset (HCAN module stop*, software standby)

Note: \* After reset or hardware standby release, the module stop bit is initialized to 1, and so the HCAN enters the module stop state.

**Bits 7 to 5, 3, and 2—Reserved:** These bits always read 0. The write value should always be 0.

**Bit 4—Bus Operation Interrupt Flag (IRR12):** Status flag indicating detection of a dominant bit due to bus operation when the HCAN module is in HCAN sleep mode.

Bit 4: IRR12	Description
0	CAN bus idle state (Initial value) [Clearing condition] Writing 1
1	CAN bus operation in HCAN sleep mode [Setting condition] Bus operation (dominant bit detection) in HCAN sleep mode

**Bit 1—Unread Interrupt Flag (IRR9):** Status flag indicating that a receive message has been overwritten while still unread.

<b>Bit 1: IRR9</b>	<b>Description</b>
0	[Clearing condition] Clearing of all bits in UMSR (unread message status register) (Initial value)
1	Unread message overwrite [Setting condition] When UMSR (unread message status register) is set

**Bit 0—Mailbox Empty Interrupt Flag (IRR8):** Status flag indicating that the next transmit message can be stored in the mailbox.

<b>Bit 0: IRR8</b>	<b>Description</b>
0	[Clearing condition] Writing 1 (Initial value)
1	Transmit message has been transmitted or aborted, and new message can be stored [Setting condition] When TXPR (transmit wait register) is cleared by completion of transmission or completion of transmission abort

## 15.2.12 Mailbox Interrupt Mask Register (MBIMR)

The mailbox interrupt mask register (MBIMR) is a 16-bit readable/writable register containing flags that enable or disable individual mailbox (buffer) interrupt requests.

### MBIMR

Bit:	15	14	13	12	11	10	9	8
	MBIMR7	MBIMR6	MBIMR5	MBIMR4	MBIMR3	MBIMR2	MBIMR1	MBIMR0
Initial value:	1	1	1	1	1	1	1	1
R/W:	R/W	R/W	R/W	R/W	R/W	R/W	R/W	R/W
Bit:	7	6	5	4	3	2	1	0
	MBIMR15	MBIMR14	MBIMR13	MBIMR12	MBIMR11	MBIMR10	MBIMR9	MBIMR8
Initial value:	1	1	1	1	1	1	1	1
R/W:	R/W	R/W	R/W	R/W	R/W	R/W	R/W	R/W

**Bits 15 to 0—Mailbox Interrupt Mask (MBIMRx) (MBIMR7 to MBIMR0, MBIMR15 to MBIMR8):** Flags that enable or disable individual mailbox interrupt requests.

Bit x: MBIMRx	Description
0	[Transmitting] Interrupt request to CPU due to TXPR clearing  [Receiving] Interrupt request to CPU due to RXPR setting
1	Interrupt requests to CPU disabled (Initial value)



## 15.2.13 Interrupt Mask Register (IMR)

The interrupt mask register (IMR) is a 16-bit readable/writable register containing flags that enable or disable requests by individual interrupt sources.

### IMR

Bit:	15	14	13	12	11	10	9	8
	IMR7	IMR6	IMR5	IMR4	IMR3	IMR2	IMR1	—
Initial value:	1	1	1	1	1	1	1	0
R/W:	R/W	R/W	R/W	R/W	R/W	R/W	R/W	R
Bit:	7	6	5	4	3	2	1	0
	—	—	—	IMR12	—	—	IMR9	IMR8
Initial value:	1	1	1	1	1	1	1	1
R/W:	R	R	R	R/W	R	R	R/W	R/W

**Bit 15—Overload Frame/Bus Off Recovery Interrupt Mask (IMR7):** Enables or disables overload frame/bus off recovery interrupt requests.

Bit 15: IMR7	Description
0	Overload frame/bus off recovery interrupt request (OVR0) to CPU by IRR7 enabled
1	Overload frame/bus off recovery interrupt request (OVR0) to CPU by IRR7 disabled (Initial value)

**Bit 14—Bus Off Interrupt Mask (IMR6):** Enables or disables bus off interrupt requests caused by the transmit error counter.

Bit 14: IMR6	Description
0	Bus off interrupt request (ERS0) to CPU by IRR6 enabled
1	Bus off interrupt request (ERS0) to CPU by IRR6 disabled (Initial value)

**Bit 13—Error Passive Interrupt Mask (IMR5):** Enables or disables error passive interrupt requests caused by the transmit/receive error counter.

Bit 13: IMR5	Description
0	Error passive interrupt request (ERS0) to CPU by IRR5 enabled
1	Error passive interrupt request (ERS0) to CPU by IRR5 disabled (Initial value)

**Bit 12—Receive Overload Warning Interrupt Mask (IMR4):** Enables or disables error warning interrupt requests caused by the receive error counter.

Bit 12: IMR4	Description
0	REC error warning interrupt request (OVR0) to CPU by IRR4 enabled
1	REC error warning interrupt request (OVR0) to CPU by IRR4 disabled (Initial value)

**Bit 11—Transmit Overload Warning Interrupt Mask (IMR3):** Enables or disables error warning interrupt requests caused by the transmit error counter.

Bit 11: IMR3	Description
0	TEC error warning interrupt request (OVR0) to by IRR3 CPU enabled
1	TEC error warning interrupt request (OVR0) to by IRR3 CPU disabled (Initial value)

**Bit 10—Remote Frame Request Interrupt Mask (IMR2):** Enables or disables remote frame reception interrupt requests.

Bit 10: IMR2	Description
0	Remote frame reception interrupt request (OVR0) to CPU by IRR2 enabled
1	Remote frame reception interrupt request (OVR0) to CPU by IRR2 disabled (Initial value)

**Bit 9—Receive Message Interrupt Mask (IMR1):** Enables or disables message reception interrupt requests.

Bit 9: IMR1	Description
0	Message reception interrupt request (RM1) to CPU by IRR1 enabled
1	Message reception interrupt request (RM1) to CPU by IRR1 disabled (Initial value)

**Bit 8—Reserved:** This bit always reads 0. The write value should always be 0.

**Bits 7 to 5, 3, and 2—Reserved:** These bits always read 1. The write value should always be 1.

**Bit 4—Bus Operation Interrupt Mask (IMR12):** Enables or disables interrupt requests due to bus operation in sleep mode.

Bit 4: IMR12	Description
0	Bus operation interrupt request (OVR0) to CPU by IRR12 enabled
1	Bus operation interrupt request (OVR0) to CPU by IRR12 disabled (Initial value)

**Bit 1—Unread Interrupt Mask (IMR9):** Enables or disables unread receive message overwrite interrupt requests.

Bit 1: IMR9	Description
0	Unread message overwrite interrupt request (OVR0) to CPU by IRR9 enabled
1	Unread message overwrite interrupt request (OVR0) to CPU by IRR9 disabled (Initial value)

**Bit 0—Mailbox Empty Interrupt Mask (IMR8):** Enables or disables mailbox empty interrupt requests.

Bit 0: IMR8	Description
0	Mailbox empty interrupt request (SLE0) to CPU by IRR8 enabled
1	Mailbox empty interrupt request (SLE0) to CPU by IRR8 disabled (Initial value)

### 15.2.14 Receive Error Counter (REC)

The receive error counter (REC) is an 8-bit read-only register that functions as a counter indicating the number of receive message errors on the CAN bus. The count value is stipulated in the CAN protocol.

#### REC

Bit:	7	6	5	4	3	2	1	0
Initial value:	0	0	0	0	0	0	0	0
R/W:	R	R	R	R	R	R	R	R

### 15.2.15 Transmit Error Counter (TEC)

The transmit error counter (TEC) is an 8-bit read-only register that functions as a counter indicating the number of transmit message errors on the CAN bus. The count value is stipulated in the CAN protocol.

#### TEC

Bit:	7	6	5	4	3	2	1	0
Initial value:	0	0	0	0	0	0	0	0
R/W:	R	R	R	R	R	R	R	R

### 15.2.16 Unread Message Status Register (UMSR)

The unread message status register (UMSR) is a 16-bit readable/writable register containing status flags that indicate, for individual mailboxes (buffers), that a received message has been overwritten by a new receive message before being read. When a message is overwritten by a new receive message, the old data is lost.

#### UMSR

Bit:	15	14	13	12	11	10	9	8
	UMSR7	UMSR6	UMSR5	UMSR4	UMSR3	UMSR2	UMSR1	UMSR0
Initial value:	0	0	0	0	0	0	0	0
R/W:	R/(W)*	R/(W)*	R/(W)*	R/(W)*	R/(W)*	R/(W)*	R/(W)*	R/(W)*
Bit:	7	6	5	4	3	2	1	0
	UMSR15	UMSR14	UMSR13	UMSR12	UMSR11	UMSR10	UMSR9	UMSR8
Initial value:	0	0	0	0	0	0	0	0
R/W:	R/(W)*	R/(W)*	R/(W)*	R/(W)*	R/(W)*	R/(W)*	R/(W)*	R/(W)*

Note: \* Can only be written with 1 for flag clearing.

#### Bits 15 to 0—Unread Message Status Flags (UMSR7 to UMSR0, UMSR15 to UMSR8):

Status flags indicating that an unread receive message has been overwritten.

Bit x: UMSRx	Description
0	[Clearing condition] Writing 1 (Initial value)
1	Unread receive message is overwritten by a new message [Setting condition] When a new message is received before RXPR is cleared

x = 0 to 15

### 15.2.17 Local Acceptance Filter Masks (LAFML, LAFMH)

The local acceptance filter masks (LAFML, LAFMH) are 16-bit readable/writable registers that filter receive messages to be stored in the receive-only mailbox (MC0, MD0) according to the identifier. In these registers, bits LAFMH15 (MSB) to LAFMH5 (LSB) are 11 standard/extended identifier bits, and LAFMH1 (MSB) to LAFML0 (LSB) are 18 extended identifier bits.

#### LAFML

Bit:	15	14	13	12	11	10	9	8
	LAFML7	LAFML6	LAFML5	LAFML4	LAFML3	LAFML2	LAFML1	LAFML0
Initial value:	0	0	0	0	0	0	0	0
R/W:	R/W	R/W	R/W	R/W	R/W	R/W	R/W	R/W
Bit:	7	6	5	4	3	2	1	0
	LAFML15	LAFML14	LAFML13	LAFML12	LAFML11	LAFML10	LAFML9	LAFML8
Initial value:	0	0	0	0	0	0	0	0
R/W:	R/W	R/W	R/W	R/W	R/W	R/W	R/W	R/W

#### LAFMH

Bit:	15	14	13	12	11	10	9	8
	LAFMH7	LAFMH6	LAFMH5	—	—	—	LAFMH1	LAFMH0
Initial value:	0	0	0	0	0	0	0	0
R/W:	R/W	R/W	R/W	R	R	R	R/W	R/W
Bit:	7	6	5	4	3	2	1	0
	LAFMH15	LAFMH14	LAFMH13	LAFMH12	LAFMH11	LAFMH10	LAFMH9	LAFMH8
Initial value:	0	0	0	0	0	0	0	0
R/W:	R/W	R/W	R/W	R/W	R/W	R/W	R/W	R/W

**LAFMH Bits 7 to 0 and 15 to 13—11-Bit Identifier Filter (LAFMH7 to LAFMH5, LAFMH15 to LAFMH8):** Filter mask bits for the first 11 bits of the receive message identifier (for both standard and extended identifiers).

Bit x: LAFMHx	Description
0	Stored in MC0, MD0 (receive-only mailbox) depending on bit match between MC0 message identifier and receive message identifier (Initial value)
1	Stored in MC0, MD0 (receive-only mailbox) regardless of bit match between MC0 message identifier and receive message identifier

**LAFMH Bits 12 to 10—Reserved:** These bits always read 0. The write value should always be 0.

**LAFMH Bits 9 and 8, LAFML Bits 15 to 0—18-Bit Identifier Filter (LAFMH1, LAFMH0, LAFML7 to LAFML0, LAFML15 to LAFML8):** Filter mask bits for the 18 bits of the receive message identifier (extended).

Bit x: LAFMHx LAFMLx	Description
0	Stored in MC0 (receive-only mailbox) depending on bit match between MC0 message identifier and receive message identifier (Initial value)
1	Stored in MC0 (receive-only mailbox) regardless of bit match between MC0 message identifier and receive message identifier

## 15.2.18 Message Control (MC0 to MC15)

The message control register sets (MC0 to MC15) consist of eight 8-bit readable/writable registers (MCx[1] to MCx[8]). The HCAN has 16 sets of these registers (MC0 to MC15).

The initial value of these registers is undefined, so they must be initialized (by writing 0 or 1).

### MCx [1]

Bit:	7	6	5	4	3	2	1	0
	—	—	—	—	DLC3	DLC2	DLC1	DLC0
Initial value:	*	*	*	*	*	*	*	*
R/W:	R/W	R/W	R/W	R/W	R/W	R/W	R/W	R/W

### MCx [2]

Bit:	7	6	5	4	3	2	1	0
	—	—	—	—	—	—	—	—
Initial value:	*	*	*	*	*	*	*	*
R/W:	R/W	R/W	R/W	R/W	R/W	R/W	R/W	R/W

### MCx [3]

Bit:	7	6	5	4	3	2	1	0
	—	—	—	—	—	—	—	—
Initial value:	*	*	*	*	*	*	*	*
R/W:	R/W	R/W	R/W	R/W	R/W	R/W	R/W	R/W

### MCx [4]

Bit:	7	6	5	4	3	2	1	0
	—	—	—	—	—	—	—	—
Initial value:	*	*	*	*	*	*	*	*
R/W:	R/W	R/W	R/W	R/W	R/W	R/W	R/W	R/W

### MCx [5]

Bit:	7	6	5	4	3	2	1	0
	STD_ID2	STD_ID1	STD_ID0	RTR	IDE	—	EXD_ID17	EXD_ID16
Initial value:	*	*	*	*	*	*	*	*
R/W:	R/W	R/W	R/W	R/W	R/W	R/W	R/W	R/W

**MCx [6]**

Bit:	7	6	5	4	3	2	1	0
	STD_ID10	STD_ID9	STD_ID8	STD_ID7	STD_ID6	STD_ID5	STD_ID4	STD_ID3
Initial value:	*	*	*	*	*	*	*	*
R/W:	R/W	R/W	R/W	R/W	R/W	R/W	R/W	R/W

**MCx [7]**

Bit:	7	6	5	4	3	2	1	0
	EXD_ID7	EXD_ID6	EXD_ID5	EXD_ID4	EXD_ID3	EXD_ID2	EXD_ID1	EXD_ID0
Initial value:	*	*	*	*	*	*	*	*
R/W:	R/W	R/W	R/W	R/W	R/W	R/W	R/W	R/W

**MCx [8]**

Bit:	7	6	5	4	3	2	1	0
	EXD_ID15	EXD_ID14	EXD_ID13	EXD_ID12	EXD_ID11	EXD_ID10	EXD_ID9	EXD_ID8
Initial value:	*	*	*	*	*	*	*	*
R/W:	R/W	R/W	R/W	R/W	R/W	R/W	R/W	R/W

\*:Undefined  
x = 0 to 15

**MCx[1] Bits 7 to 4—Reserved:** The initial value of these bits is undefined; they must be initialized (by writing 0 or 1).

**MCx[1] Bits 3 to 0—Data Length Code (DLC):** These bits indicate the required length of data frames and remote frames.

Bit 3: DLC3	Bit 2: DLC2	Bit 1: DLC1	Bit 0: DLC0	Description
0	0	0	0	Data length = 0 bytes
			1	Data length = 1 byte
		1	0	Data length = 2 bytes
			1	Data length = 3 bytes
	1	0	0	Data length = 4 bytes
			1	Data length = 5 bytes
		1	0	Data length = 6 bytes
			1	Data length = 7 bytes
1	0/1	0/1	0/1	Data length = 8 bytes



**MCx[2] Bits 7 to 0—Reserved:** The initial value of these bits is undefined; they must be initialized (by writing 0 or 1).

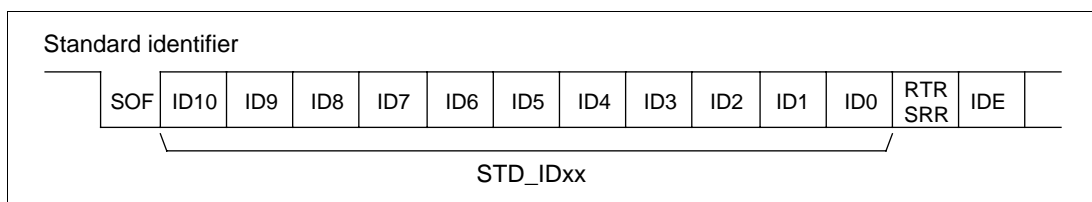
**MCx[3] Bits 7 to 0—Reserved:** The initial value of these bits is undefined; they must be initialized (by writing 0 or 1).

**MCx[4] Bits 7 to 0—Reserved:** The initial value of these bits is undefined; they must be initialized (by writing 0 or 1).

**MCx[6] Bits 7 to 0—Standard Identifier (STD\_ID10 to STD\_ID3):**

**MCx[5] Bits 7 to 5—Standard Identifier (STD\_ID2 to STD\_ID0):**

These bits set the identifier (standard identifier) of data frames and remote frames.



**Figure 15-2 Standard Identifier**

**MCx[5] Bit 4—Remote Transmission Request (RTR):** Used to distinguish between data frames and remote frames.

Bit 4: RTR	Description
0	Data frame
1	Remote frame

**MCx[5] Bit 3—Identifier Extension (IDE):** Used to distinguish between the standard format and extended format of data frames and remote frames.

Bit 3: IDE	Description
0	Standard format
1	Extended format

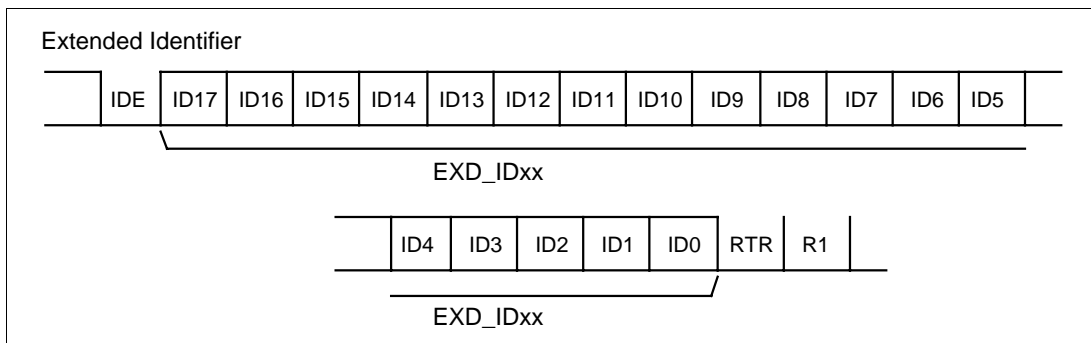
**MCx[5] Bit 2—Reserved:** The initial value of this bit is undefined; it must be initialized (by writing 0 or 1).

**MCx[5] Bits 1 and 0—Extended Identifier (EXD\_ID17, EXD\_ID16):**

**MCx[8] Bits 7 to 0—Extended Identifier (EXD\_ID15 to EXD\_ID8):**

**MCx[7] Bits 7 to 0—Extended Identifier (EXD\_ID7 to EXD\_ID0):**

These bits set the identifier (extended identifier) of data frames and remote frames.



**Figure 15-3 Extended Identifier**

## 15.2.19 Message Data (MD0 to MD15)

The message data register sets (MD0 to MD15) consist of eight 8-bit readable/writable registers (MDx[1] to MDx[8]). The HCAN has 16 sets of these registers (MD0 to MD15).

The initial value of these registers is undefined, so they must be initialized (by writing 0 or 1).

### MDx [1]

Bit:	7	6	5	4	3	2	1	0
	<input type="checkbox"/>	<input type="checkbox"/>	<input type="checkbox"/>	<input type="checkbox"/>	<input type="checkbox"/>	<input type="checkbox"/>	<input type="checkbox"/>	<input type="checkbox"/>
Initial value:	*	*	*	*	*	*	*	*
R/W:	R/W	R/W	R/W	R/W	R/W	R/W	R/W	R/W

### MDx [2]

Bit:	7	6	5	4	3	2	1	0
	<input type="checkbox"/>	<input type="checkbox"/>	<input type="checkbox"/>	<input type="checkbox"/>	<input type="checkbox"/>	<input type="checkbox"/>	<input type="checkbox"/>	<input type="checkbox"/>
Initial value:	*	*	*	*	*	*	*	*
R/W:	R/W	R/W	R/W	R/W	R/W	R/W	R/W	R/W

### MDx [3]

Bit:	7	6	5	4	3	2	1	0
	<input type="checkbox"/>	<input type="checkbox"/>	<input type="checkbox"/>	<input type="checkbox"/>	<input type="checkbox"/>	<input type="checkbox"/>	<input type="checkbox"/>	<input type="checkbox"/>
Initial value:	*	*	*	*	*	*	*	*
R/W:	R/W	R/W	R/W	R/W	R/W	R/W	R/W	R/W

### MDx [4]

Bit:	7	6	5	4	3	2	1	0
	<input type="checkbox"/>	<input type="checkbox"/>	<input type="checkbox"/>	<input type="checkbox"/>	<input type="checkbox"/>	<input type="checkbox"/>	<input type="checkbox"/>	<input type="checkbox"/>
Initial value:	*	*	*	*	*	*	*	*
R/W:	R/W	R/W	R/W	R/W	R/W	R/W	R/W	R/W

### MDx [5]

Bit:	7	6	5	4	3	2	1	0
	<input type="checkbox"/>	<input type="checkbox"/>	<input type="checkbox"/>	<input type="checkbox"/>	<input type="checkbox"/>	<input type="checkbox"/>	<input type="checkbox"/>	<input type="checkbox"/>
Initial value:	*	*	*	*	*	*	*	*
R/W:	R/W	R/W	R/W	R/W	R/W	R/W	R/W	R/W

**MDx [6]**

Bit:	7	6	5	4	3	2	1	0
	<input type="checkbox"/>	<input type="checkbox"/>	<input type="checkbox"/>	<input type="checkbox"/>	<input type="checkbox"/>	<input type="checkbox"/>	<input type="checkbox"/>	<input type="checkbox"/>

Initial value: \* \* \* \* \* \* \* \*

R/W: R/W R/W R/W R/W R/W R/W R/W R/W

**MDx [7]**

Bit:	7	6	5	4	3	2	1	0
	<input type="checkbox"/>	<input type="checkbox"/>	<input type="checkbox"/>	<input type="checkbox"/>	<input type="checkbox"/>	<input type="checkbox"/>	<input type="checkbox"/>	<input type="checkbox"/>

Initial value: \* \* \* \* \* \* \* \*

R/W: R/W R/W R/W R/W R/W R/W R/W R/W

**MDx [8]**

Bit:	7	6	5	4	3	2	1	0
	<input type="checkbox"/>	<input type="checkbox"/>	<input type="checkbox"/>	<input type="checkbox"/>	<input type="checkbox"/>	<input type="checkbox"/>	<input type="checkbox"/>	<input type="checkbox"/>

Initial value: \* \* \* \* \* \* \* \*

R/W: R/W R/W R/W R/W R/W R/W R/W R/W

\*:Undefined  
x = 0 to 15

## 15.2.20 Module Stop Control Register C (MSTPCRC)

Bit:	7	6	5	4	3	2	1	0
	MSTPC7	MSTPC6	MSTPC5	MSTPC4	MSTPC3	MSTPC2	MSTPC1	MSTPC0
Initial value:	1	1	1	1	1	1	1	1
R/W:	R/W	R/W	R/W	R/W	R/W	R/W	R/W	R/W

MSTPCRC is an 8-bit readable/writable register that performs module stop mode control.

When the MSTPC3 bit is set to 1, HCAN operation is stopped at the end of the bus cycle, and module stop mode is entered. Register read/write accesses are not possible in module stop mode. For details, see sections 21A.5, 21B.5, Module Stop Mode.

MSTPCRC is initialized to H'FF by a reset, and in hardware standby mode. It is not initialized in software standby mode.

**Bit 3—Module Stop (MSTPC3):** Specifies the HCAN module stop mode.

Bit 3: MSTPC3	Description
0	HCAN module stop mode is cleared
1	HCAN module stop mode is set (Initial value)

## 15.3 Operation

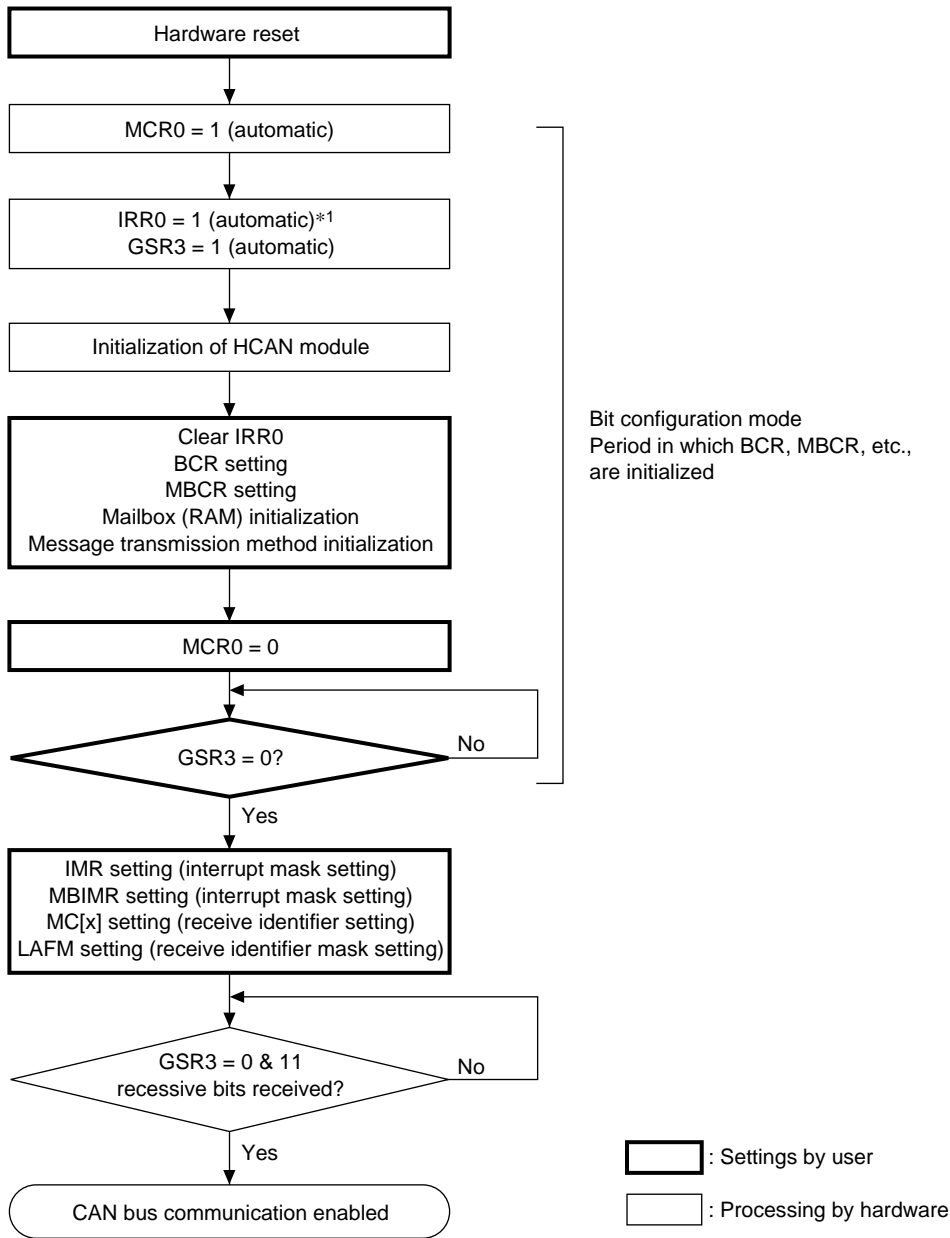
### 15.3.1 Hardware and Software Resets

The HCAN can be reset by a hardware reset or software reset.

**Hardware Reset (HCAN Module Stop, Reset\*, Hardware\*/Software Standby):** Initialization is performed by automatic setting of the MCR reset request bit (MCR0) in MCR and the reset state bit (GSR3) in GSR within the HCAN (hardware reset). At the same time, all internal registers are initialized. However mailbox contents are retained. A flowchart of this reset is shown in figure 15-4.

Note: \* In a reset and in hardware standby mode, the module stop bit is initialized to 1 and the HCAN enters the module stop state.

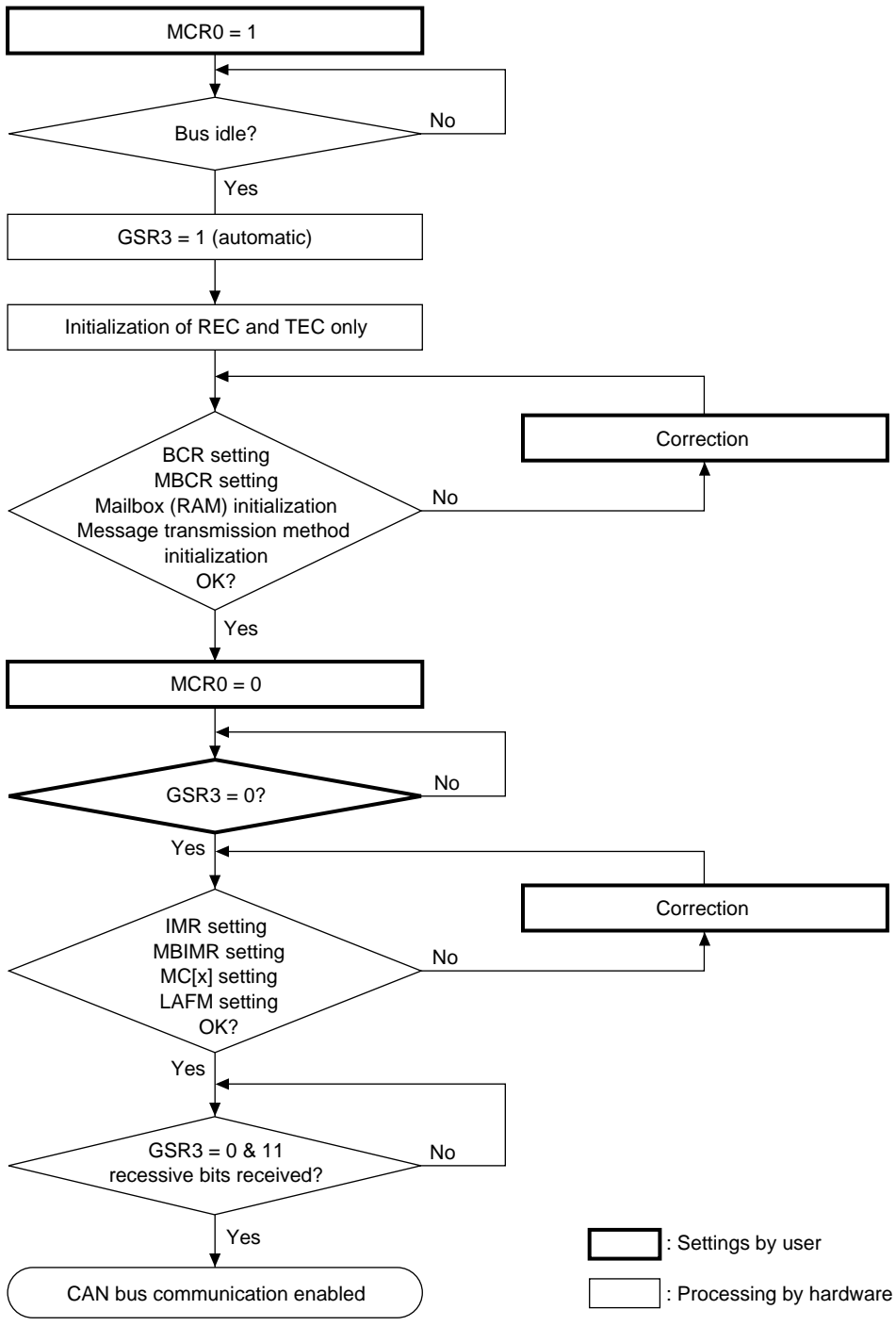
**Software Reset (Write to MCR0):** In normal operation initialization is performed by setting the MCR reset request bit (MCR0) in MCR (Software reset). With this kind of reset, if the CAN controller is performing a communication operation (transmission or reception), the initialization state is not entered until the message has been completed. During initialization, the reset state bit (GSR3) in GSR is set. In this kind of initialization, the error counters (TEC and REC) are initialized but other registers and RAM (mailboxes) are not. A flowchart of this reset is shown in figure 15-5.



Notes: \*1 When IRR0 is set to 1 (automatically) due to a hardware reset\*2, a "hardware reset initiated reset processing" interrupt is generated.

\*2 In a reset and in hardware standby mode, the module stop bit is initialized to 1 and the HCAN enters the module stop state.

Figure 15-4 Hardware Reset Flowchart



**Figure 15-5 Software Reset Flowchart**



### 15.3.2 Initialization after Hardware Reset

After a hardware reset, the following initialization processing should be carried out:

- Clearing of IRR0 bit in interrupt register (IRR)
- Bit rate setting
- Mailbox transmit/receive settings
- Mailbox (RAM) initialization
- Message transmission method setting

These initial settings must be made while the HCAN is in bit configuration mode. Configuration mode is a state in which the reset request bit (MCR0) in the master control register (MCR) is 1 and the reset status bit in the general status register (GSR) is also 1 ( $GSR3 = 1$ ). Configuration mode is exited by clearing the reset request bit in MCR to 0; when MCR0 is cleared to 0, the HCAN automatically clears the reset state bit (GSR3) in the general status register (GSR). The power-up sequence then begins, and communication with the CAN bus is possible as soon as the sequence ends. The power-up sequence consists of the detection of 11 consecutive recessive bits.

**IRR0 Clearing:** The reset interrupt flag (IRR0) is always set after a reset or recovery from software standby mode. As an HCAN interrupt is initiated immediately when interrupts are enabled, IRR0 should be cleared.

**Bit Rate and Bit Timing Settings:** As bit rate settings, a baud rate setting and bit timing setting must be made each time a CAN node begins communication. The baud rate and bit timing settings are made in the bit configuration register (BCR).

a. Note

BCR can be written to at all times, but should only be modified in configuration mode.

Settings should be made so that all CAN controllers connected to the CAN bus have the same baud rate and bit width.

Refer to table 15-3 for the range of values that can be used as settings (TSEG1, TSEG2, BRP, sample point, and SJW) for BCR.

**Table 15-3 BCR Register Value Setting Ranges**

Name	Abbreviation	Min. Value	Max. Value
Time segment 1	TSEG1	B'0000	B'1111
Time segment 2	TSEG2	B'000	B'111
Baud rate prescaler	BRP	B'000000	B'1111111
Sample point	SAM	B'0	B'1
Re-synchronization jump width	SJW	B'00	B'11

#### b. Value Setting Ranges

- The bit width consists of the total of the settable Time Quanta (TQ). TQ (number of system clocks) is determined by the baud rate prescaler (BRP).

$$TQ = \frac{2 \times (BRP + 1)}{f_{CLK}}$$

- The value of SJW is stipulated in the CAN specifications.

$$3 \text{ SJW} \geq 0$$

- The minimum value of TSEG1 is stipulated in the CAN specifications.

$$TSEG1 > TSEG2$$

- The minimum value of TSEG2 is stipulated in the CAN specifications.

$$TSEG2 \geq SJW$$

The following formula is used to calculate the baud rate.

$$\text{Bit rate [b/s]} = \frac{f_{CLK}}{2 \times (BRP + 1) \times (3 + TSEG1 + TSEG2)}$$

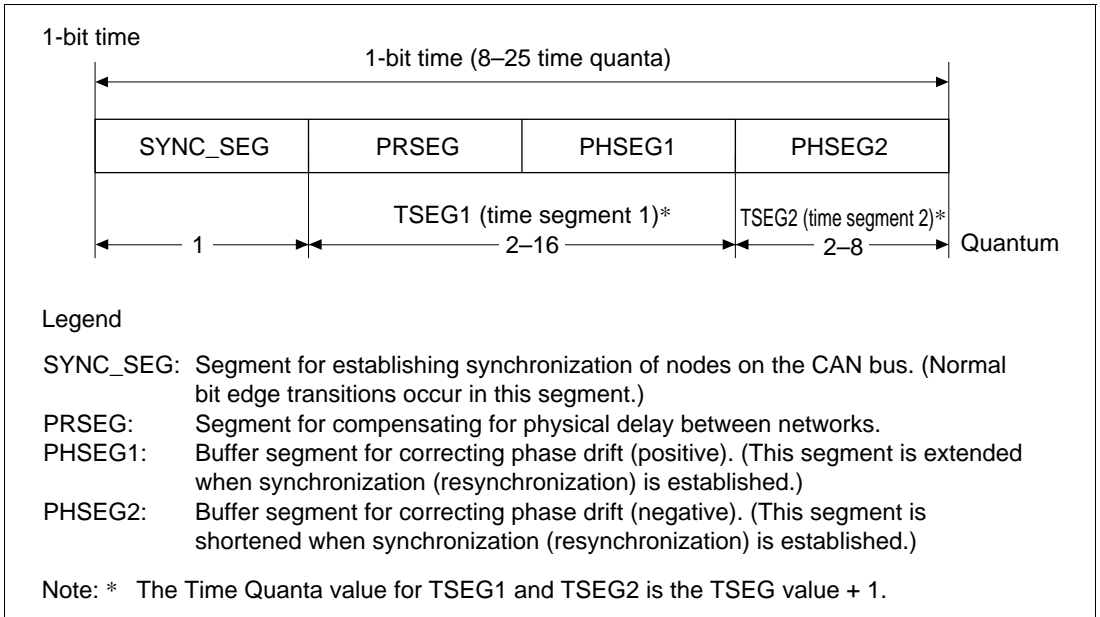
Note:  $f_{CLK} = \phi$  (system clock)

The BCR values are used for BRP, TSEG1, and TSEG2.

Example: With a 1 Mb/s baud rate and a 20 MHz input clock:

$$1 \text{ Mb/s} = \frac{20 \text{ MHz}}{2 \times (0 + 1) \times (3 + 4 + 3)}$$

Item	Set Values	Actual Values
$f_{CLK}$	20 MHz	—
BRP	0 (B'000000)	System clock $\times$ 2
TSEG1	4 (B'0100)	5TQ
TSEG2	3 (B'011)	4TQ



**Figure 15-6 Detailed Description of One Bit**

HCAN bit rate calculation:

$$\text{Bit rate} = \frac{f_{CLK}}{2 \times (\text{BRP} + 1) \times (3 + \text{TSEG1} + \text{TSEG2})}$$

Note:  $f_{CLK} = \emptyset$  (system clock)  
The BCR values are used for BRP, TSEG1, and TSEG2.

BCR Setting Constraints

$$\text{TSEG1} > \text{TSEG2} \geq \text{SJW} \quad (\text{SJW} = 0 \text{ to } 3)$$

$$\text{TSEG2} > \text{B'001} \quad (\text{BRP} = \text{B'000000})$$

$$\text{TSEG2} > \text{B'000} \quad (\text{BRP} > \text{B'000000})$$

These constraints allow the setting range shown in table 15-3 for TSEG1 and TSEG2 in BCR.

**Table 15-4 Setting Range for TSEG1 and TSEG2 in BCR**

		TSEG2 (BCR [14:12])						
		001	010	011	100	101	110	111
TSEG1 (BCR [11:8])	0011	No	Yes	No	No	No	No	No
	0100	Yes*	Yes	Yes	No	No	No	No
	0101	Yes*	Yes	Yes	Yes	No	No	No
	0110	Yes*	Yes	Yes	Yes	Yes	No	No
	0111	Yes*	Yes	Yes	Yes	Yes	Yes	No
	1000	Yes*	Yes	Yes	Yes	Yes	Yes	Yes
	1001	Yes*	Yes	Yes	Yes	Yes	Yes	Yes
	1010	Yes*	Yes	Yes	Yes	Yes	Yes	Yes
	1011	Yes*	Yes	Yes	Yes	Yes	Yes	Yes
	1100	Yes*	Yes	Yes	Yes	Yes	Yes	Yes
	1101	Yes*	Yes	Yes	Yes	Yes	Yes	Yes
	1110	Yes*	Yes	Yes	Yes	Yes	Yes	Yes
	1111	Yes*	Yes	Yes	Yes	Yes	Yes	Yes

Notes: The time quanta value for TSEG1 and TSEG2 is the TSEG value + 1.

\* Setting is enabled except when BRP [13:8] = B'000000.

**Mailbox Transmit/Receive Settings:** HCAN0, 1 each have 16 mailboxes. Mailbox 0 is receive-only, while mailboxes 1 to 15 can be set for transmission or reception. Mailboxes that can be set for transmission or reception must be designated either for transmission use or for reception use before communication begins. The Initial status of mailboxes 1 to 15 is for transmission (while mailbox 0 is for reception only). Mailbox transmit/receive settings are not initialized by a software reset.

- Setting for transmission

Transmit mailbox setting (mailboxes 1 to 15)

Clearing a bit to 0 in the mailbox configuration register (MBCR) designates the corresponding mailbox for transmission use. After a reset, mailboxes are initialized for transmission use, so this setting is not necessary.

- Setting for reception

Transmit/receive mailbox setting (mailboxes 1 to 15)

Setting a bit to 1 in the mailbox configuration register (MBCR) designates the corresponding mailbox for reception use. When setting mailboxes for reception, to improve message transmission efficiency, high-priority messages should be set in low-to-high mailbox order (priority order: mailbox 1 (MCx[1]) > mailbox 15 (MCx[15])).

- Receive-only mailbox (mailbox 0)

No setting is necessary, as this mailbox is always used for reception.

**Mailbox (Message Control/Data (MCx[x], MDx[x]) Initial Settings:** After power is supplied, all registers and RAM (message control/data, control registers, status registers, etc.) are initialized. Message control/data (MCx[x], MDx[x]) only are in RAM, and so their values are undefined. Initial values must therefore be set in all the mailboxes (by writing 0s or 1s).

**Setting the Message Transmission Method:** Either of the following message transmission methods can be selected with the message transmission method bit (MCR2) in the master control register (MCR):

- a. Transmission order determined by message identifier priority
- b. Transmission order determined by mailbox number priority

When a is selected, if a number of messages are designated as waiting for transmission (TXPR = 1), the message with the highest priority set in the message identifier (MCx[5]–MCx[8]) is stored in the transmit buffer. CAN bus arbitration is then carried out for the message in the transmit buffer, and message transmission is performed when the transmission right is acquired. When the TXPR bit is set, internal arbitration is performed again, and the highest-priority message is found and stored in the transmit buffer.

When b is selected, if a number of messages are designated as waiting for transmission (TXPR = 1), messages are stored in the transmit buffer in low-to-high mailbox order (priority order: mailbox 1 > mailbox 15). CAN bus arbitration is then carried out for the messages in the transmit buffer, and message transmission is performed when the bus is acquired.

### 15.3.3 Transmit Mode

Message transmission is performed using mailboxes 1 to 15. The transmission procedure is described below, and a transmission flowchart is shown in figure 15-7.

#### Initialization (after hardware reset only)

- a. Clearing of IRR0 bit in interrupt register (IRR)
- b. Bit rate settings
- c. Mailbox transmit/receive settings
- d. Mailbox initialization
- e. Message transmission method setting

## **Interrupt and transmit data settings**

- a. CPU interrupt source setting
- b. Arbitration field setting
- c. Control field setting
- d. Data field setting

## **Message transmission and interrupts**

- a. Message transmission wait
- b. Message transmission completion and interrupt
- c. Message transmission abort
- d. Message retransmission

**Initialization (After Hardware Reset Only):** These settings should be made while the HCAN is in bit configuration mode.

- IRR0 clearing

The reset interrupt flag (IRR0) is always set after a reset or recovery from software standby mode. As an HCAN interrupt is initiated immediately when interrupts are enabled, IRR0 should be cleared.

- Bit rate settings

Set values relating to the CAN bus communication speed and resynchronization. Refer to Bit Rate and Bit Timing Settings in 15.3.2, Initialization after Hardware Reset, for details.

- Mailbox transmit/receive settings

Mailbox transmit/receive settings should be made in advance. A total of 15 mailboxes can be set for transmission or reception (mailboxes 1 to 15). To set a mailbox for transmission, clear the corresponding bit to 0 in the mailbox configuration register (MBCR). Refer to Mailbox transmit/receive settings in 15.3.2, Initialization after Hardware Reset, for details.

- Mailbox initialization

As message control/data registers (MCx[x], MDx[x]) are configured in RAM, their initial values after powering on are undefined, and so bit initialization is necessary. Write 0s or 1s to the mailboxes. See Mailbox (Message Control/Data (MCx[x], MDx[x]) Initial Setting in 15.3.2, Initialization after a Hardware Reset, for details.

- Message transmission method setting

Set the transmission method for mailboxes designated for transmission. The following two transmission methods can be used. Refer to Message transmission method settings in 15.3.2, Initialization after Hardware Reset, for details.

- a. Transmission order determined by message identifier priority
- b. Transmission order determined by mailbox number priority

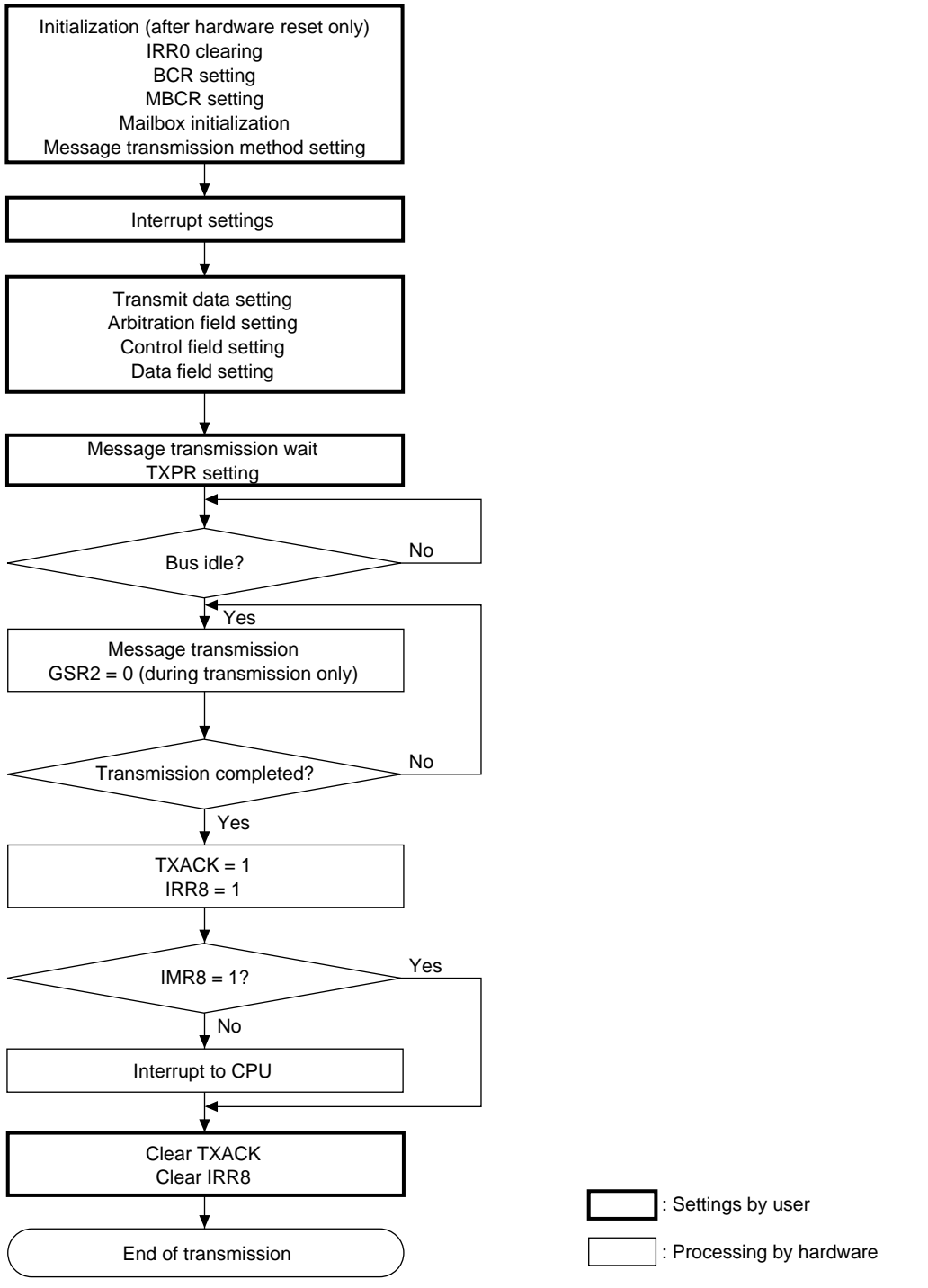


Figure 15-7 Transmission Flowchart



**Interrupt and Transmit Data Settings:** When mailbox initialization is finished, CPU interrupt source settings and data settings must be made. Interrupt source settings are made in the mailbox interrupt register (MBIMR) and interrupt mask register (IMR), while transmit data settings are made by writing the necessary data from the arbitration field, control field, and data field, described below, in the corresponding message control (MCx[1]–MCx[8]) and message data (MDx[1]–MDx[8]).

- CPU interrupt source settings

Transmission acknowledge and transmission abort acknowledge interrupts can be masked for individual mailboxes in the mailbox interrupt mask register (MBIMR). Interrupt register (IRR) interrupts can be masked in the interrupt mask register (IMR).

- Arbitration field setting

In the arbitration field, the 11-bit identifier (STD\_ID0–STD\_ID10) and RTR bit (standard format) or 29-bit identifier (STD\_ID0–STD\_ID10, EXT\_ID0–EXT\_ID17) and IDE.RTR bit (extended format) are set. The registers to be set are MCx[5]–MCx[8].

- Control field setting

In the control field, the byte length of the data to be transmitted is set in DLC0–DLC3. The register to be set is MCx[1].

- Data field setting

In the data field, the data to be transmitted is set in byte units in the range of 0 to 8 bytes. The registers to be set are MDx[1]–MDx[8].

The number of bytes in the data actually transmitted depends on the data length code (DLC) in the control field. If a value exceeding the value set in DLC is set in the data field, only the number of bytes set in DLC will actually be transmitted.

### **Message Transmission and Interrupts:**

- Message transmission wait

If message transmission is to be performed after completion of the message control (MCx[1]–MCx[8]) and message data (MDx[1]–MDx[8]) settings, transmission is started by setting the corresponding mailbox transmit wait bit (TXPR1–TXPR15) to 1 in the transmit wait register (TXPR). The following two transmission methods can be used:

- a. Transmission order determined by message identifier priority
- b. Transmission order determined by mailbox number priority

When a is selected, if a number of messages are designated as waiting for transmission (TXPR = 1), messages are stored in the transmit buffer in low-to-high mailbox order (priority order: mailbox 1 > mailbox 15). CAN bus arbitration is then carried out for the messages in the transmit buffer, and message transmission is performed when the bus is acquired.

When b is selected, if a number of messages are designated as waiting for transmission (TXPR = 1), the message with the highest priority set in the message identifier (MCx[5]–MCx[8]) is stored in the transmit buffer. CAN bus arbitration is then carried out for the message in the transmit buffer, and message transmission is performed when the transmission right is acquired. When the TXPR bit is set, internal arbitration is performed again, the highest-priority message is found and stored in the transmit buffer, CAN bus arbitration is carried out in the same way, and message transmission is performed when the transmission right is acquired.

- **Message transmission completion and interrupt**

When a message is transmitted error-free using the above procedure, the corresponding acknowledge bit (TXACK1–TXACK15) in the transmit acknowledge register (TXACK) and transmit wait bit (TXPR1–TXPR15) in the transmit wait register (TXPR) are automatically initialized. Also, if the corresponding bit (MBIMR1–MBIMR15) in the mailbox interrupt mask register (MBIMR) and the mailbox empty interrupt bit (IRR8) in the interrupt mask register (IMR) are set to the interrupt enable state at the same time, an interrupt can be sent to the CPU.

- **Message transmission cancellation**

Transmission cancellation can be specified for a message stored in a mailbox as a transmit wait message. A transmit wait message is canceled by setting the bit for the corresponding mailbox (TXCR1–TXCR15) to 1 in the transmit cancel register (TXCR). When cancellation is executed, the transmit wait register (TXPR) is automatically reset, and the corresponding bit is set to 1 in the abort acknowledge register (ABACK). An interrupt to the CPU can be requested. Also, if the mailbox empty interrupt (IRR8) is enabled for the bits (MBIMR1–MBIMR15) corresponding to the mailbox interrupt mask register (MBIMR) and interrupt mask register (IMR), interrupts may be sent to the CPU.

However, a transmit wait message cannot be canceled at the following times:

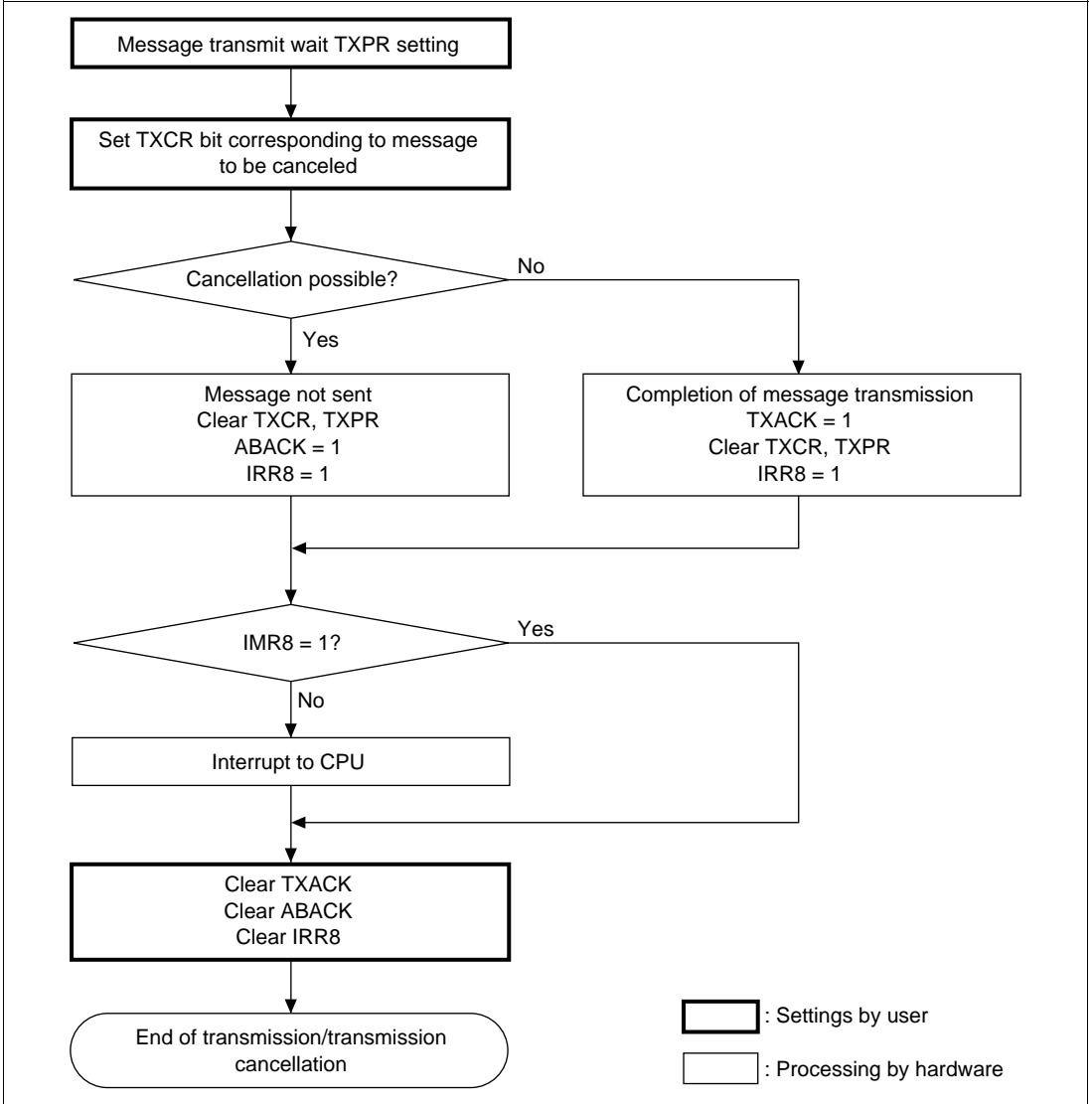
- a. During internal arbitration or CAN bus arbitration
- b. During data frame or remote frame transmission

Also, transmission cannot be canceled by clearing the transmit wait register (TXPR). Figure 15-8 shows a flowchart of transmit message cancellation.

- **Message retransmission**

If transmission of a transmit message is aborted in the following cases, the message is retransmitted automatically:

- a. CAN bus arbitration failure (failure to acquire the bus)
- b. Error during transmission (bit error, stuff error, CRC error, frame error, ACK error)



**Figure 15-8 Transmit Message Cancellation Flowchart**

### 15.3.4 Receive Mode

Message reception is performed using mailboxes 0 and 1 to 15. The reception procedure is described below, and a reception flowchart is shown in figure 15-9.

#### Initialization (after hardware reset only)

- a. Clearing of IRR0 bit in interrupt register (IRR)
- b. Bit rate settings
- c. Mailbox transmit/receive settings
- d. Mailbox (RAM) initialization

#### Interrupt and receive message settings

- a. CPU interrupt source setting
- b. Arbitration field setting
- c. Local acceptance filter mask (LAFM) settings

#### Message reception and interrupts

- a. Message reception CRC check
- b. Data frame reception
- c. Remote frame reception
- d. Unread message reception

**Initialization (After Hardware Reset Only):** These settings should be made while the HCAN is in bit configuration mode.

- IRR0 clearing

The reset interrupt flag (IRR0) is always set after a reset or recovery from software standby mode. As an HCAN interrupt is initiated immediately when interrupts are enabled, IRR0 should be cleared.

- Bit rate settings

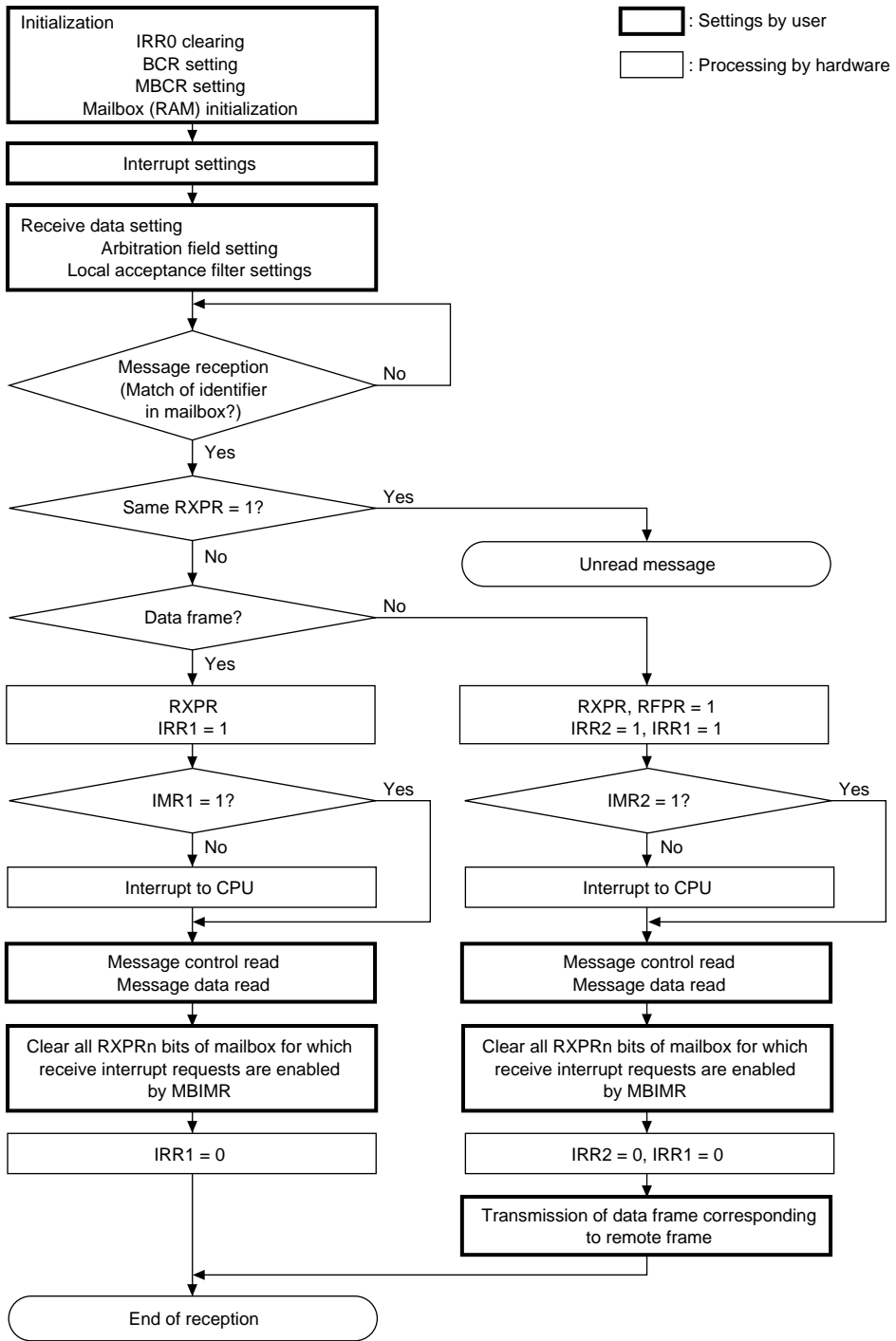
Set values relating to the CAN bus communication speed and resynchronization. Refer to Bit Rate and Bit Timing Setting in 15.3.2, Initialization after Hardware Reset, for details.

- Mailbox transmit/receive settings

Each channel has one receive-only mailbox (mailbox 0) plus 15 mailboxes that can be set for reception. Thus a total of 16 mailboxes can be used for reception. To set a mailbox for reception, set the corresponding bit to 1 in the mailbox configuration register (MBCR). The initial setting for mailboxes is 0, designating transmission use. Refer to Mailbox transmit/receive settings in 15.3.2, Initialization after Hardware Reset, for details.

- Mailbox (RAM) initialization

As message control/data registers (MCx[x], MDx[x]) are configured in RAM, their initial values after powering on are undefined, and so bit initialization is necessary. Write 0s or 1s to the mailboxes. See Mailbox (Message Control/Data (MCx[x], MDx[x]) Initial Setting in 15.3.2, Initialization after a Hardware Reset, for details.



**Figure 15-9 Reception Flowchart**

**Interrupt and Receive Message Settings:** When mailbox initialization is finished, CPU interrupt source settings and receive message specifications must be made. Interrupt source settings are made in the mailbox interrupt register (MBIMR) and interrupt mask register (IMR). To receive a message, the identifier must be set in advance in the message control (MCx[1]–MCx[8]) for the receiving mailbox. When a message is received, all the bits in the receive message identifier are compared, and if a 100% match is found, the message is stored in the matching mailbox. Mailbox 0 (MC0[x], MD0[x]) has a local acceptance filter mask (LAFM) that allows Don't care settings to be made.

- CPU interrupt source settings

When transmitting, transmission acknowledge and transmission abort acknowledge interrupts can be masked for individual mailboxes in the mailbox interrupt mask register (MBIMR).

When receiving, data frame and remote frame receive wait interrupts can be masked. Interrupt register (IRR) interrupts can be masked in the interrupt mask register (IMR).

- Arbitration field setting

In the arbitration field, the identifier (STD\_ID0–STD\_ID10, EXT\_ID0–EXT\_ID17) of the message to be received is set. If all the bits in the set identifier do not match, the message is not stored in a mailbox.

Example: Mailbox 1    010\_1010\_1010 (standard identifier)

Only one kind of message identifier can be received by MB1

Identifier 1:    010\_1010\_1010

- Local acceptance filter mask (LAFM) setting

The local acceptance filter mask is provided for mailbox 0 (MC0[x], MD0[x]) only, enabling a Don't care specification to be made for all bits in the received identifier. This allows various kinds of messages to be received.

Example: Mailbox 0    010\_1010\_1010 (standard identifier)

LAFM            000\_0000\_0011 (0: Care, 1: Don't care)

A total of four kinds of message identifiers can be received by MB0

Identifier 1:    010\_1010\_1000

Identifier 2:    010\_1010\_1001

Identifier 3:    010\_1010\_1010

Identifier 4:    010\_1010\_1011

## Message Reception and Interrupts:

- Message reception CRC check

When a message is received, a CRC check is performed automatically (by hardware). If the result of the CRC check is normal, ACK is transmitted in the ACK field irrespective of whether or not the message can be received.

- Data frame reception

If the received message is confirmed to be error-free by the CRC check, etc., the identifier in the mailbox (and also LAFM in the case of mailbox 0 only) and the identifier of the receive message are compared, and if a complete match is found, the message is stored in the mailbox. The message identifier comparison is carried out on each mailbox in turn, starting with mailbox 0 and ending with mailbox 15. If a complete match is found, the comparison ends at that point, the message is stored in the matching mailbox, and the corresponding receive complete bit (RXPR0–RXPR15) is set in the receive complete register (RXPR). However, when a mailbox 0 LAFM comparison is carried out, even if the identifier matches, the mailbox comparison sequence does not end at that point, but continues with mailbox 1 and then the remaining mailboxes. It is therefore possible for a message matching mailbox 0 to be received by another mailbox (however, the same message cannot be stored in more than one of mailboxes 1 to 15). If the corresponding bit (MBIMR0–MBIMR15) in the mailbox interrupt mask register (MBIMR) and the receive message interrupt mask (IMR1) in the interrupt mask register (IMR) are set to the interrupt enable value at this time, an interrupt can be sent to the CPU.

- Remote frame reception

Two kinds of messages—data frames and remote frames—can be stored in mailboxes. A remote frame differs from a data frame in that the remote reception request bit (RTR) in the message control register (MC[x]5) and the data field are 0 bytes. The data length to be returned in a data frame must be stored in the data length code (DLC) in the control field.

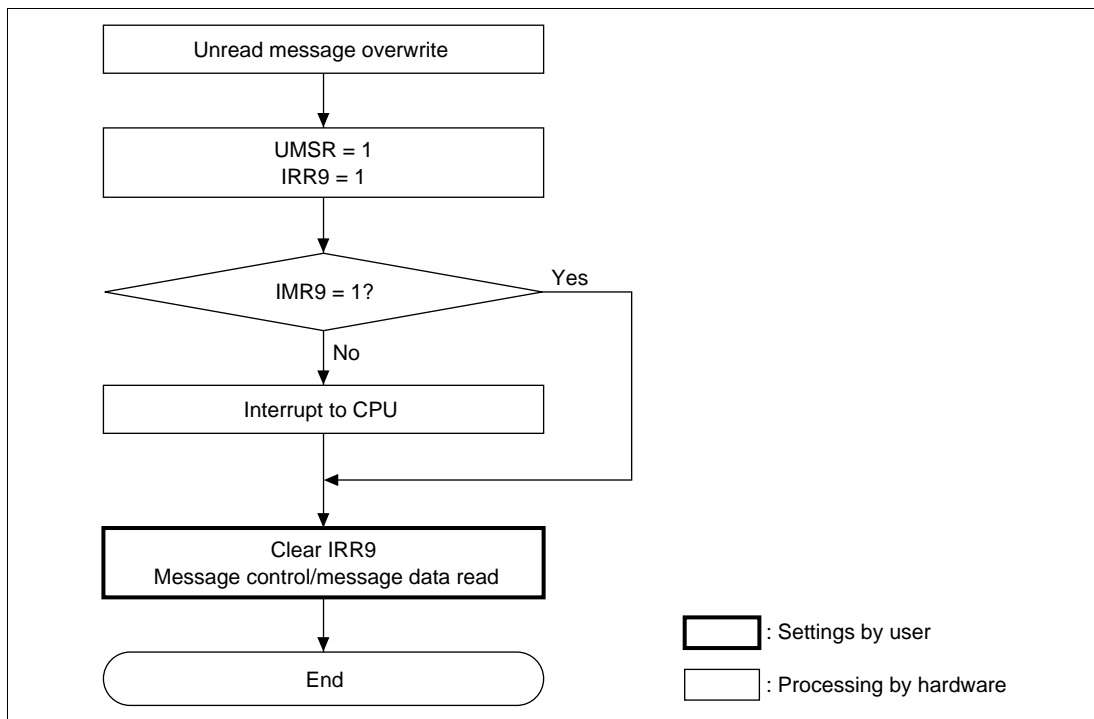
When a remote frame (RTR = recessive) is received, the corresponding bit is set in the remote request wait register (RFPR). If the corresponding bit (MBIMR0–MBIMR15) in the mailbox interrupt mask register (MBIMR) and the remote frame request interrupt mask (IRR2) in the interrupt mask register (IMR) are set to the interrupt enable value at this time, an interrupt can be sent to the CPU.

- Unread message reception

When the identifier in a mailbox matches a receive message, the message is stored in the mailbox. If a message overwrite occurs before the CPU reads the message, the corresponding bit (UMSR0–UMSR15) is set in the unread message register (UMSR). In overwriting of an unread message, when a new message is received before the corresponding bit in the receive complete register (RXPR) has been cleared, the unread message register (UMSR) is set. If the unread interrupt flag (IRR9) in the interrupt mask register (IMR) is set to the interrupt enable



value at this time, an interrupt can be sent to the CPU. Figure 15-10 shows a flowchart of unread message overwrite.



**Figure 15-10 Unread Message Overwrite Flowchart**

### 15.3.5 HCAN Sleep Mode

The HCAN is provided with an HCAN sleep mode that places the HCAN module in the sleep state to reduce current dissipation. Figure 15-11 shows a flowchart of the HCAN sleep mode.

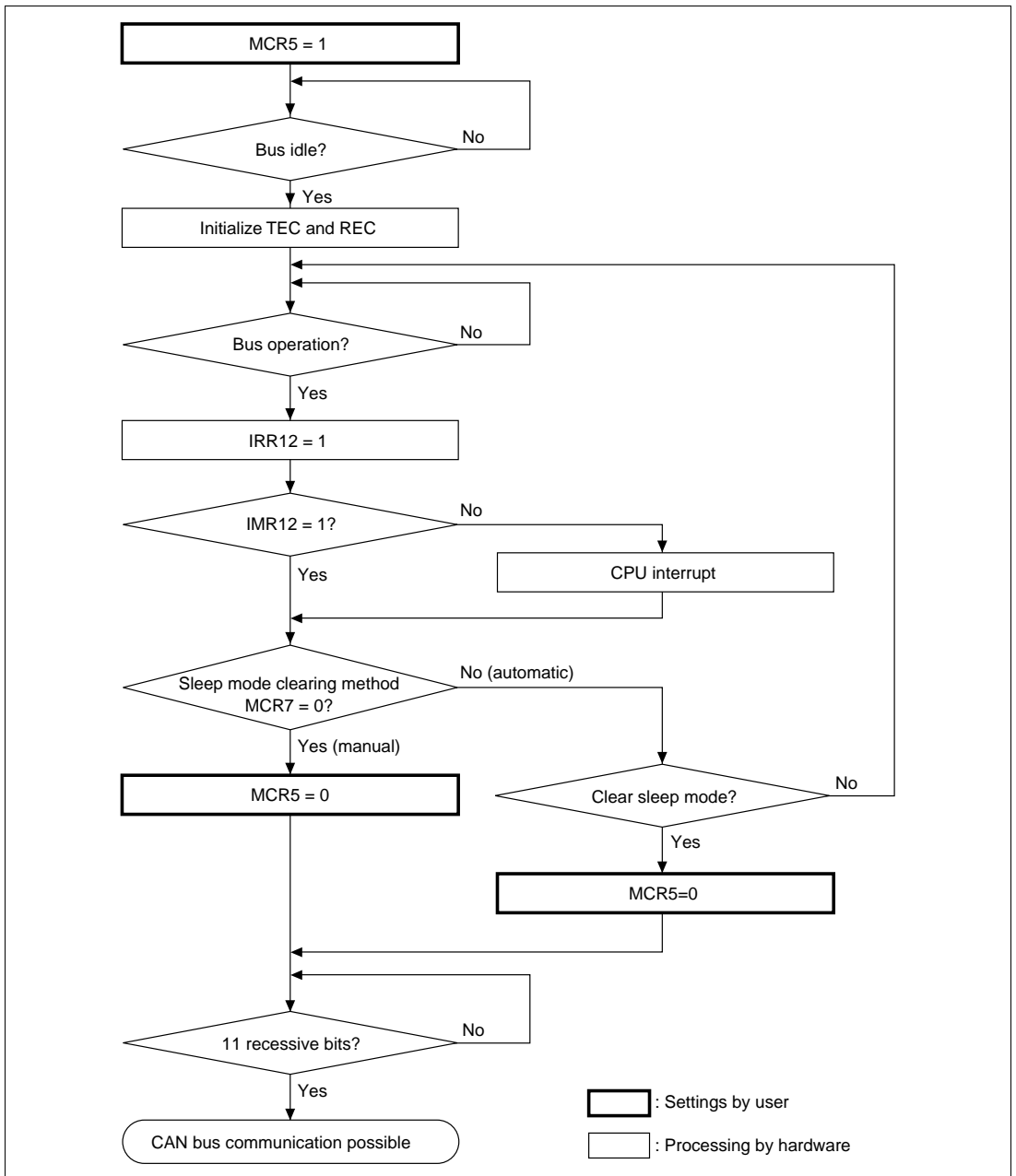


Figure 15-11 HCAN Sleep Mode Flowchart

HCAN sleep mode is entered by setting the HCAN sleep mode bit (MCR5) to 1 in the master control register (MCR). If the CAN bus is operating, the transition to HCAN sleep mode is delayed until the bus becomes idle.

Either of the following methods of clearing HCAN sleep mode can be selected by making a setting in the MCR7 bit.

1. Clearing by software
2. Clearing by CAN bus operation

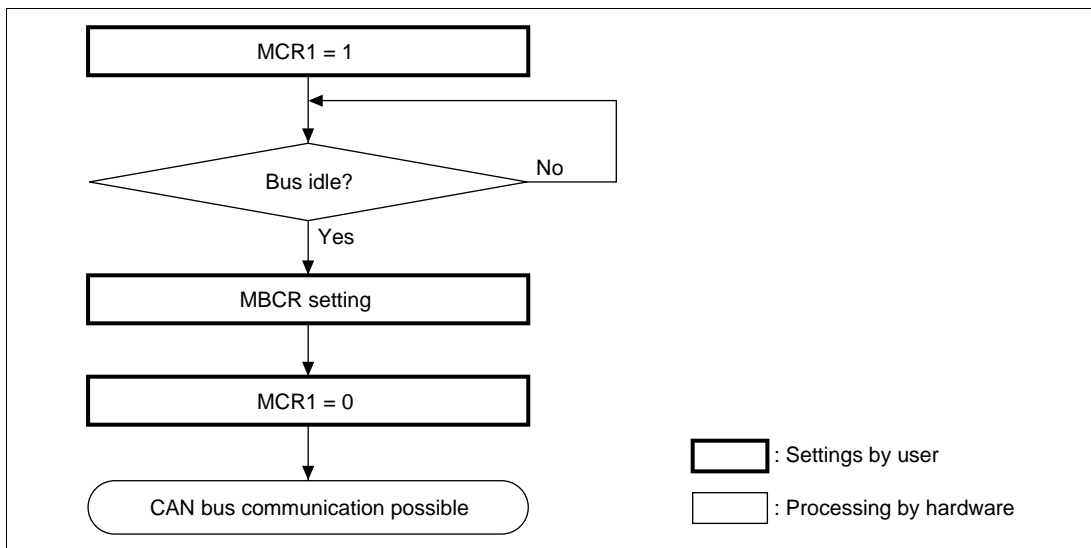
Eleven recessive bits must be received after HCAN sleep mode is cleared before CAN bus communication is enabled again.

**Clearing by software:** HCAN sleep mode is cleared by writing a 0 to MCR5 from the CPU.

**Clearing by CAN bus operation:** Clearing by CAN bus operation occurs automatically when the CAN bus performs an operation and this change is detected. In this case, the first message is not received in the mailbox, and normal reception starts from the next message. When a change is detected on the CAN bus in HCAN sleep mode, the bus operation interrupt flag (IRR12) is set in the interrupt register (IRR). If the bus interrupt mask (IMR12) in the interrupt mask register (IMR) is set to the interrupt enable value at this time, an interrupt can be sent to the CPU.

### 15.3.6 HCAN Halt Mode

The HCAN halt mode is provided to enable mailbox settings to be changed without performing an HCAN hardware or software reset. Figure 15-12 shows a flowchart of the HCAN halt mode.



**Figure 15-12 HCAN Halt Mode Flowchart**

HCAN halt mode is entered by setting the halt request bit (MCR1) to 1 in the master control register (MCR). If the CAN bus is operating, the transition to HCAN halt mode is delayed until the bus becomes idle.

HCAN halt mode is cleared by clearing MCR1 to 0.

### 15.3.7 Interrupt Interface

There are 12 HCAN interrupt sources, to which five independent interrupt vectors are assigned. Table 15-5 lists the HCAN interrupt sources.

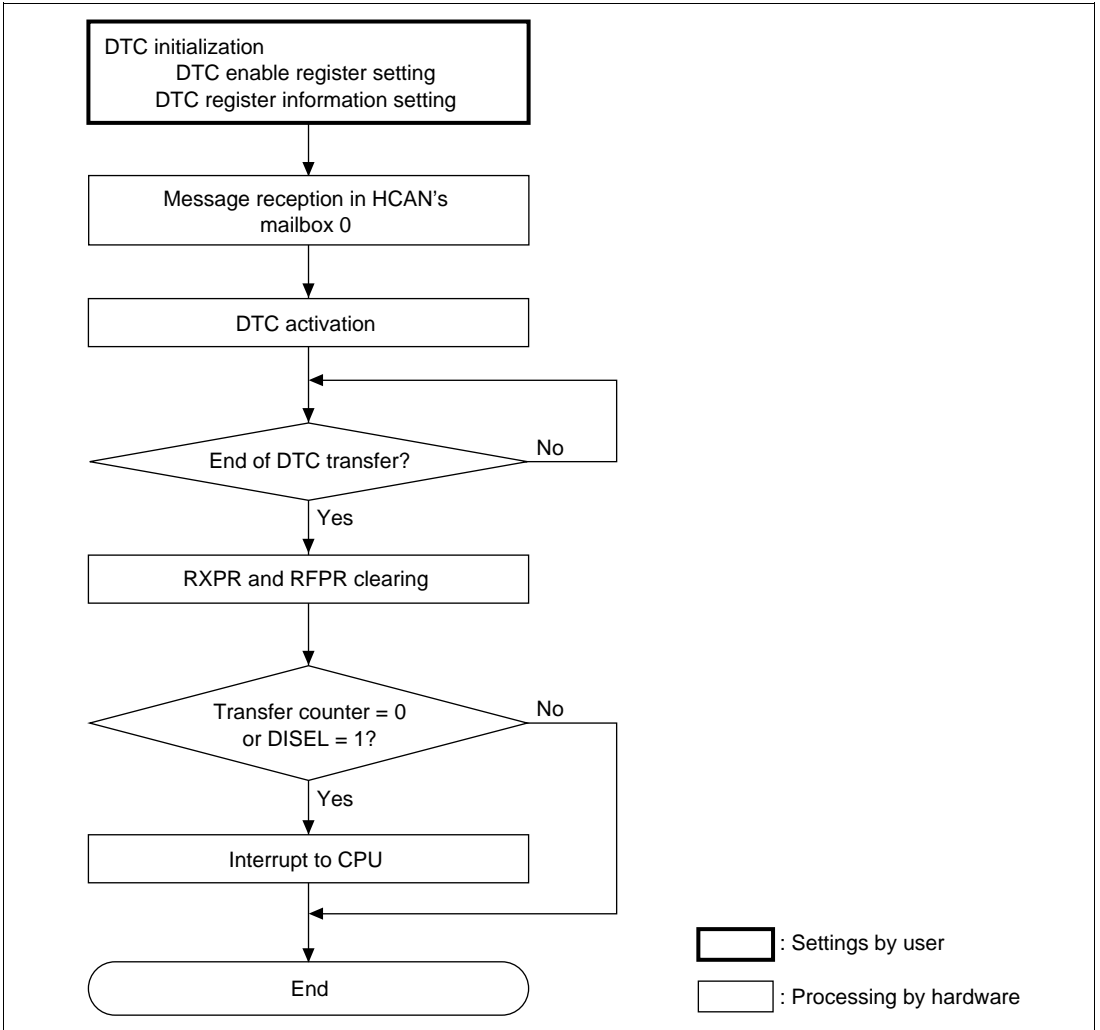
With the exception of the reset processing vector (IRR0), these sources can be masked. Masking is implemented using the mailbox interrupt mask register (MBIMR) and interrupt mask register (IMR).

**Table 15-5 HCAN Interrupt Sources**

IPR Bits	Vector	Vector Number	IRR Bit	Description
IPRM (6–4)	ERS0	104	IRR5	Error passive interrupt (TEC $\geq$ 128 or REC $\geq$ 128)
			IRR6	Bus off interrupt (TEC $\geq$ 256)
	OVR0	105	IRR0	Hardware reset processing interrupt
			IRR2	Remote frame reception interrupt
			IRR3	Error warning interrupt (TEC $\geq$ 96)
			IRR4	Error warning interrupt (REC $\geq$ 96)
			IRR7	Overload frame transmission interrupt/bus off recovery interrupt (11 recessive bits $\times$ 128 times)
			IRR9	Unread message overwrite interrupt
			IRR12	HCAN sleep mode CAN bus operation interrupt
			IRR1	Mailbox 0 message reception interrupt
RM0	106	IRR1	Mailbox 0 message reception interrupt	
RM1	107	IRR1	Mailbox 1-15 message reception interrupt	
IPRM (2–0)	SLE0	108	IRR8	Message transmission/cancellation interrupt

### 15.3.8 DTC Interface

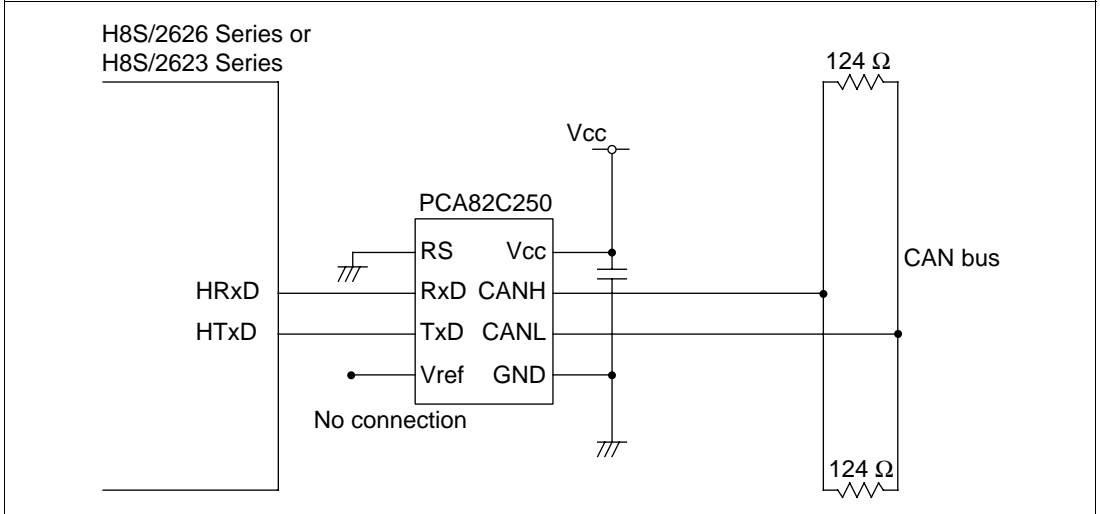
The DTC can be activated by reception of a message in the HCAN's mailbox 0. When DTC transfer ends after DTC activation has been set, the RXPR0 and RFPR0 flags are acknowledge signal automatically. An interrupt request due to a receive interrupt from the HCAN cannot be sent to the CPU in this case. Figure 15-13 shows a DTC transfer flowchart.



**Figure 15-13 DTC Transfer Flowchart**

## 15.4 CAN Bus Interface

A bus transceiver IC is necessary to connect the H8S/2626 Series or H8S/2623 Series chip to a CAN bus. A Philips PCA82C250 transceiver IC, or compatible device, is recommended. Figure 15-14 shows a sample connection diagram.



**Figure 15-14 High-Speed Interface Using PCA82C250**

## 15.5 Usage Notes

### 1. Reset

The HCAN is reset by a reset, and in hardware standby mode and software standby mode. All the registers are initialized in a reset, but mailboxes (message control (MCx[x])/message data (MDx[x])) are not. However, after powering on, mailboxes (message control (MCx[x])/message data (MDx[x])) are initialized, and their values are undefined. Therefore, mailbox initialization must always be carried out after a reset or a transition to hardware standby mode or software standby mode. Also, the reset interrupt flag (IRR0) is always set after reset input or recovery from software standby mode. As this bit cannot be masked in the interrupt mask register (IMR), if HCAN interrupts are set as enabled by the interrupt controller without this flag having been cleared, an HCAN interrupt will be initiated immediately. IRR0 must therefore be cleared during initialization.

### 2. HCAN sleep mode

The bus operation interrupt flag (IRR12) in the interrupt register (IRR) is set by bus operation in HCAN sleep mode. Therefore, this flag is not used by the HCAN to indicate sleep mode release. Also note that the reset status bit (GSR3) in the general status register (GSR) is set in sleep mode.

### 3. Interrupts

When the mailbox interrupt mask register (MBIMR) is set, the interrupt register (IRR8.2.1) is not set by reception completion, transmission completion, or transmission cancellation for the set mailboxes.

#### 4. Error counters

In the case of error active and error passive, REC and TEC normally count up and down. In the bus off state, 11-bit recessive sequences are counted (REC + 1) using REC. If REC reaches 96 during the count, IRR4 and GSR1 are set, and if REC reaches 128, IRR7 is set.

#### 5. Register access

Byte or word access can be used on all HCAN registers. Longword access cannot be used.

#### 6. HCAN medium-speed mode

HCAN registers cannot be read or written to in medium-speed mode.

#### 7. Register retention during standby

All HCAN registers are initialized in hardware standby mode and software standby mode.

#### 8. Using bit operation instructions

Start flags in HCAN are cleared by writing 1 to them; there is no need to use bit operation instructions to clear them. To clear a flag, use the MOV instruction to write a 1 to the bit to be cleared.

#### 9. HTxD pin output in error passive state

If the HRxD pin becomes fixed at 1 during message transmission or reception when the HCAN is in the error active state, the HTxD pin will output 0 continuously while in the error passive state. To stop continuous 0 output to the CAN bus, disable the HCAN by means of an error warning interrupt or by setting the HCAN module stop mode through detection of a fixed 1 state by the HxRD pin monitor.

#### 10. Transition to HCAN sleep mode

The HCAN stops (transmission/reception stops) when MCR0 is cleared to 0 immediately after an HCAN sleep mode transition effected by setting TXPR of the HCAN to 1 and setting MCR5 to 1. When a transition is made to the HCAN sleep mode by means of the above steps, a 10-cycle wait should be inserted after the TxPR setting. After an HCAN sleep mode transition, release the HCAN sleep mode by clearing MCR5 to 0.

#### 11. Message transmission cancellation (TxCR)

If all the following conditions are met when cancellation of a transmission message is performed by means of TxCR of the HCAN, the TxCR or TxPR bit indicating cancellation is not cleared even though internal transmission is canceled.

When canceling a message using TxCR, 1 should be written continuously until TxCR or TxPR becomes 0.

#### 12. TxCR in the bus off state

If TxPR is set before the HCAN goes to the bus off state, and a transition is made to the bus off state with transmission incomplete, cancellation will be performed even if TxCR is set during the bus off period, and the message will be transmitted after a transition to the error active state.



# Section 16 A/D Converter

## 16.1 Overview

The H8S/2626 Series and H8S/2623 Series include a successive approximation type 10-bit A/D converter that allows up to sixteen analog input channels to be selected.

### 16.1.1 Features

A/D converter features are listed below.

- 10-bit resolution
- Sixteen input channels
- Settable analog conversion voltage range
  - Conversion of analog voltages with the reference voltage pin (Vref) as the analog reference voltage
- High-speed conversion
  - Minimum conversion time: 13.3  $\mu$ s per channel (at 20 MHz operation)
- Choice of single mode or scan mode
  - Single mode: Single-channel A/D conversion
  - Scan mode: Continuous A/D conversion on 1 to 4 channels
- Four data registers
  - Conversion results are held in a 16-bit data register for each channel
- Sample and hold function
- Three kinds of conversion start
  - Choice of software or timer conversion start trigger (TPU), or  $\overline{\text{ADTRG}}$  pin
- A/D conversion end interrupt generation
  - A/D conversion end interrupt (ADI) request can be generated at the end of A/D conversion
- Module stop mode can be set
  - As the initial setting, A/D converter operation is halted. Register access is enabled by exiting module stop mode.

## 16.1.2 Block Diagram

Figure 16-1 shows a block diagram of the A/D converter.

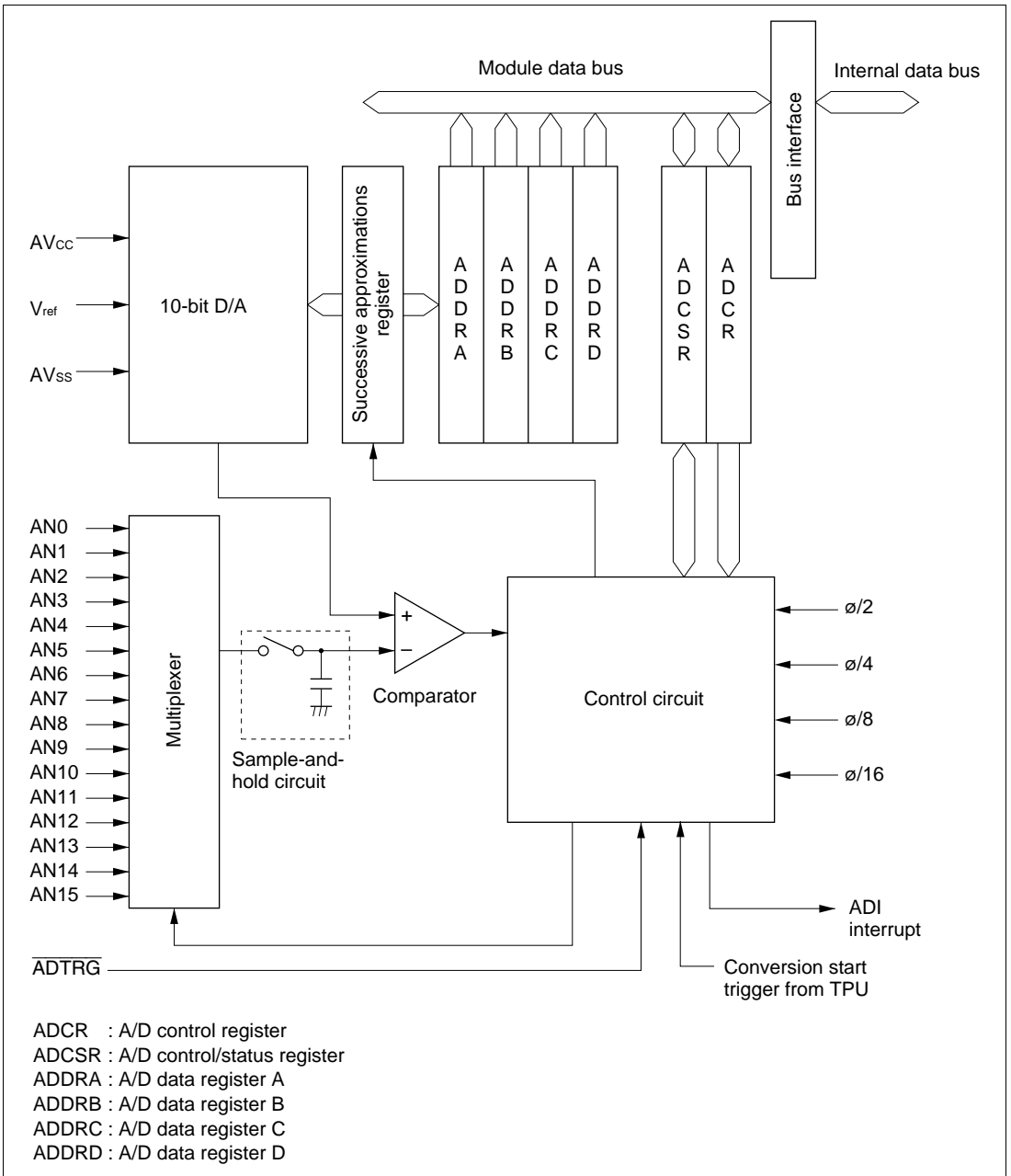


Figure 16-1 Block Diagram of A/D Converter

### 16.1.3 Pin Configuration

Table 16-1 summarizes the input pins used by the A/D converter.

The AVCC and AVSS pins are the power supply pins for the analog block in the A/D converter. The Vref pin is the A/D conversion reference voltage pin.

The 16 analog input pins are divided into two channel sets and two groups, with analog input pins 0 to 7 (AN0 to AN7) comprising channel set 0, analog input pins 8 to 15 (AN8 to AN15) comprising channel set 1, analog input pins 0 to 3 and 8 to 11 (AN0 to AN3, AN8 to AN11) comprising group 0, and analog input pins 4 to 7 and 12 to 15 (AN4 to AN7, AN12 to AN15) comprising group 1.

**Table 16-1 A/D Converter Pins**

Pin Name	Symbol	I/O	Function
Analog power supply pin	AVCC	Input	Analog block power supply
Analog ground pin	AVSS	Input	Analog block ground and reference voltage
Reference voltage pin	Vref	Input	A/D conversion reference voltage
Analog input pin 0	AN0	Input	Channel set 0 (CH3 = 0) group 0 analog inputs
Analog input pin 1	AN1	Input	
Analog input pin 2	AN2	Input	
Analog input pin 3	AN3	Input	
Analog input pin 4	AN4	Input	Channel set 0 (CH3 = 0) group 1 analog inputs
Analog input pin 5	AN5	Input	
Analog input pin 6	AN6	Input	
Analog input pin 7	AN7	Input	
Analog input pin 8	AN8	Input	Channel set 1 (CH3 = 1) group 0 analog inputs
Analog input pin 9	AN9	Input	
Analog input pin 10	AN10	Input	
Analog input pin 11	AN11	Input	
Analog input pin 12	AN12	Input	Channel set 1 (CH3 = 1) group 1 analog inputs
Analog input pin 13	AN13	Input	
Analog input pin 14	AN14	Input	
Analog input pin 15	AN15	Input	
A/D external trigger input pin	$\overline{\text{ADTRG}}$	Input	External trigger input for starting A/D conversion

## 16.1.4 Register Configuration

Table 16-2 summarizes the registers of the A/D converter.

**Table 16-2 A/D Converter Registers**

<b>Name</b>	<b>Abbreviation</b>	<b>R/W</b>	<b>Initial Value</b>	<b>Address*<sup>1</sup></b>
A/D data register AH	ADDRAH	R	H'00	H'FF90
A/D data register AL	ADDRAL	R	H'00	H'FF91
A/D data register BH	ADDRBH	R	H'00	H'FF92
A/D data register BL	ADDRBL	R	H'00	H'FF93
A/D data register CH	ADDRCH	R	H'00	H'FF94
A/D data register CL	ADDRCL	R	H'00	H'FF95
A/D data register DH	ADDRDH	R	H'00	H'FF96
A/D data register DL	ADDRDL	R	H'00	H'FF97
A/D control/status register	ADCSR	R/(W)* <sup>2</sup>	H'00	H'FF98
A/D control register	ADCR	R/W	H'33	H'FF99
Module stop control register A	MSTPCRA	R/W	H'3F	H'FDE8

Notes: \*1 Lower 16 bits of the address.

\*2 Bit 7 can only be written with 0 for flag clearing.

## 16.2 Register Descriptions

### 16.2.1 A/D Data Registers A to D (ADDRA to ADDR D)

Bit	:	15	14	13	12	11	10	9	8	7	6	5	4	3	2	1	0
		AD9	AD8	AD7	AD6	AD5	AD4	AD3	AD2	AD1	AD0	—	—	—	—	—	—
Initial value	:	0	0	0	0	0	0	0	0	0	0	0	0	0	0	0	0
R/W	:	R	R	R	R	R	R	R	R	R	R	R	R	R	R	R	R

There are four 16-bit read-only ADDR registers, ADDRA to ADDR D, used to store the results of A/D conversion.

The 10-bit data resulting from A/D conversion is transferred to the ADDR register for the selected channel and stored there. The upper 8 bits of the converted data are transferred to the upper byte (bits 15 to 8) of ADDR, and the lower 2 bits are transferred to the lower byte (bits 7 and 6) and stored. Bits 5 to 0 are always read as 0.

The correspondence between the analog input channels and ADDR registers is shown in table 16-3.

ADDR can always be read by the CPU. The upper byte can be read directly, but for the lower byte, data transfer is performed via a temporary register (TEMP). For details, see section 16.3, Interface to Bus Master.

The ADDR registers are initialized to H'0000 by a reset, and in standby mode or module stop mode.

**Table 16-3 Analog Input Channels and Corresponding ADDR Registers**

Analog Input Channel				
Channel Set 0 (CH3 = 0)		Channel Set 1 (CH3 = 1)		A/D Data Register
Group 0	Group 1	Group 0	Group 1	
AN0	AN4	AN8	AN12	ADDRA
AN1	AN5	AN9	AN13	ADDRB
AN2	AN6	AN10	AN14	ADDRC
AN3	AN7	AN11	AN15	ADDRD

## 16.2.2 A/D Control/Status Register (ADCSR)

Bit	:	7	6	5	4	3	2	1	0
		ADF	ADIE	ADST	SCAN	CH3	CH2	CH1	CH0
Initial value	:	0	0	0	0	0	0	0	0
R/W	:	R/(W)*	R/W	R/W	R/W	R/W	R/W	R/W	R/W

Note: \* Only 0 can be written to bit 7, to clear this flag.

ADCSR is an 8-bit readable/writable register that controls A/D conversion operations.

ADCSR is initialized to H'00 by a reset, and in hardware standby mode or module stop mode.

**Bit 7—A/D End Flag (ADF):** Status flag that indicates the end of A/D conversion.

### Bit 7

ADF	Description
0	[Clearing conditions] (Initial value) <ul style="list-style-type: none"><li>• When 0 is written to the ADF flag after reading ADF = 1</li><li>• When the DTC is activated by an ADI interrupt and ADDR is read</li></ul>
1	[Setting conditions] <ul style="list-style-type: none"><li>• Single mode: When A/D conversion ends</li><li>• Scan mode: When A/D conversion ends on all specified channels</li></ul>

**Bit 6—A/D Interrupt Enable (ADIE):** Selects enabling or disabling of interrupt (ADI) requests at the end of A/D conversion.

### Bit 6

ADIE	Description
0	A/D conversion end interrupt (ADI) request disabled (Initial value)
1	A/D conversion end interrupt (ADI) request enabled

**Bit 5—A/D Start (ADST):** Selects starting or stopping on A/D conversion. Holds a value of 1 during A/D conversion.

The ADST bit can be set to 1 by software, a timer conversion start trigger, or the A/D external trigger input pin ( $\overline{\text{ADTRG}}$ ).

#### Bit 5

ADST	Description
0	• A/D conversion stopped (Initial value)
1	• Single mode: A/D conversion is started. Cleared to 0 automatically when conversion on the specified channel ends • Scan mode: A/D conversion is started. Conversion continues sequentially on the selected channels until ADST is cleared to 0 by software, a reset, or a transition to standby mode or module stop mode.

**Bit 4—Scan Mode (SCAN):** Selects single mode or scan mode as the A/D conversion operating mode. See section 16.4, Operation, for single mode and scan mode operation. Only set the SCAN bit while conversion is stopped (ADST = 0).

#### Bit 4

SCAN	Description
0	Single mode (Initial value)
1	Scan mode

**Bit 3—Channel Select 3 (CH3):** Switches the analog input pins assigned to group 0 or group 1. Setting CH3 to 1 enables AN8 to AN15 to be used instead of AN0 to AN7.

#### Bit 3

CH3	Description
0	AN8 to AN11 are group 0 analog input pins, AN12 to AN15 are group 1 analog input pins
1	AN0 to AN3 are group 0 analog input pins, AN4 to AN7 are group 1 analog input pins (Initial value)

**Bits 2 to 0—Channel Select 2 to 0 (CH2 to CH0):** Together with the SCAN bit, these bits select the analog input channels.

Only set the input channel while conversion is stopped (ADST = 0).

Channel Selection				Description		
CH3	CH2	CH1	CH0	Single Mode (SCAN = 0)	Scan Mode (SCAN = 1)	
0	0	0	0	AN0	(Initial value) AN0	
			1	AN1	AN0, AN1	
		1	0	AN2	AN0 to AN2	
			1	AN3	AN0 to AN3	
	1	0	0	AN4	AN4	
			1	AN5	AN4, AN5	
		1	0	AN6	AN4 to AN6	
			1	AN7	AN4 to AN7	
				AN8	AN8	
		1	0	0	AN9	AN8, AN9
					1	AN10
	1			AN11	AN8 to AN11	
				AN12	AN12	
	1		0	1	AN13	AN12, AN13
				1	AN14	AN12 to AN14
1		AN15	AN12 to AN15			



### 16.2.3 A/D Control Register (ADCR)

Bit	:	7	6	5	4	3	2	1	0
		TRGS1	TRGS0	—	—	CKS1	CKS0	—	—
Initial value	:	0	0	1	1	0	0	1	1
R/W	:	R/W	R/W	—	—	R/W	R/W	—	—

ADCR is an 8-bit readable/writable register that enables or disables external triggering of A/D conversion operations and sets the A/D conversion time.

ADCR is initialized to H'33 by a reset, and in standby mode or module stop mode.

**Bits 7 and 6—Timer Trigger Select 1 and 0 (TRGS1, TRGS0):** Select enabling or disabling of the start of A/D conversion by a trigger signal. Only set bits TRGS1 and TRGS0 while conversion is stopped (ADST = 0).

Bit 7	Bit 6	Description
TRGS1	TRGS0	
0	0	A/D conversion start by software is enabled (Initial value)
	1	A/D conversion start by TPU conversion start trigger is enabled
1	0	Setting prohibited
	1	A/D conversion start by external trigger pin ( $\overline{\text{ADTRG}}$ ) is enabled

**Bits 5, 4, 1, and 0—Reserved:** These bits are always read as 1 and cannot be modified.

**Bits 3 and 2—Clock Select 1 and 0 (CKS1, CKS0):** These bits select the A/D conversion time. The conversion time should be changed only when ADST = 0. Make a setting that gives a value not lower than that shown in table 22-8.

Bit 3	Bit 2	Description
CKS1	CKS0	
0	0	Conversion time = 530 states (max.) (Initial value)
	1	Conversion time = 266 states (max.)
1	0	Conversion time = 134 states (max.)
	1	Conversion time = 68 states (max.)

## 16.2.4 Module Stop Control Register A (MSTPCRA)

Bit	:	7	6	5	4	3	2	1	0
		MSTPA7	MSTPA6	MSTPA5	MSTPA4	MSTPA3	MSTPA2	MSTPA1	MSTPA0
Initial value	:	0	0	1	1	1	1	1	1
R/W	:	R/W	R/W	R/W	R/W	R/W	R/W	R/W	R/W

MSTPCR is a 8-bit readable/writable register that performs module stop mode control.

When the MSTPA1 bit in MSTPCR is set to 1, A/D converter operation stops at the end of the bus cycle and a transition is made to module stop mode. Registers cannot be read or written to in module stop mode. For details, see sections 21A.5, 21B.5, Module Stop Mode.

MSTPCRA is initialized to H'3F by a reset and in hardware standby mode. It is not initialized in software standby mode.

**Bit 1—Module Stop (MSTPA1):** Specifies the A/D converter module stop mode.

### Bit 1

MSTPA1	Description
0	A/D converter module stop mode cleared
1	A/D converter module stop mode set (Initial value)

## 16.3 Interface to Bus Master

ADDRA to ADDRD are 16-bit registers, and the data bus to the bus master is 8 bits wide. Therefore, in accesses by the bus master, the upper byte is accessed directly, but the lower byte is accessed via a temporary register (TEMP).

A data read from ADDR is performed as follows. When the upper byte is read, the upper byte value is transferred to the CPU and the lower byte value is transferred to TEMP. Next, when the lower byte is read, the TEMP contents are transferred to the CPU.

When reading ADDR, always read the upper byte before the lower byte. It is possible to read only the upper byte, but if only the lower byte is read, incorrect data may be obtained.

Figure 16-2 shows the data flow for ADDR access.

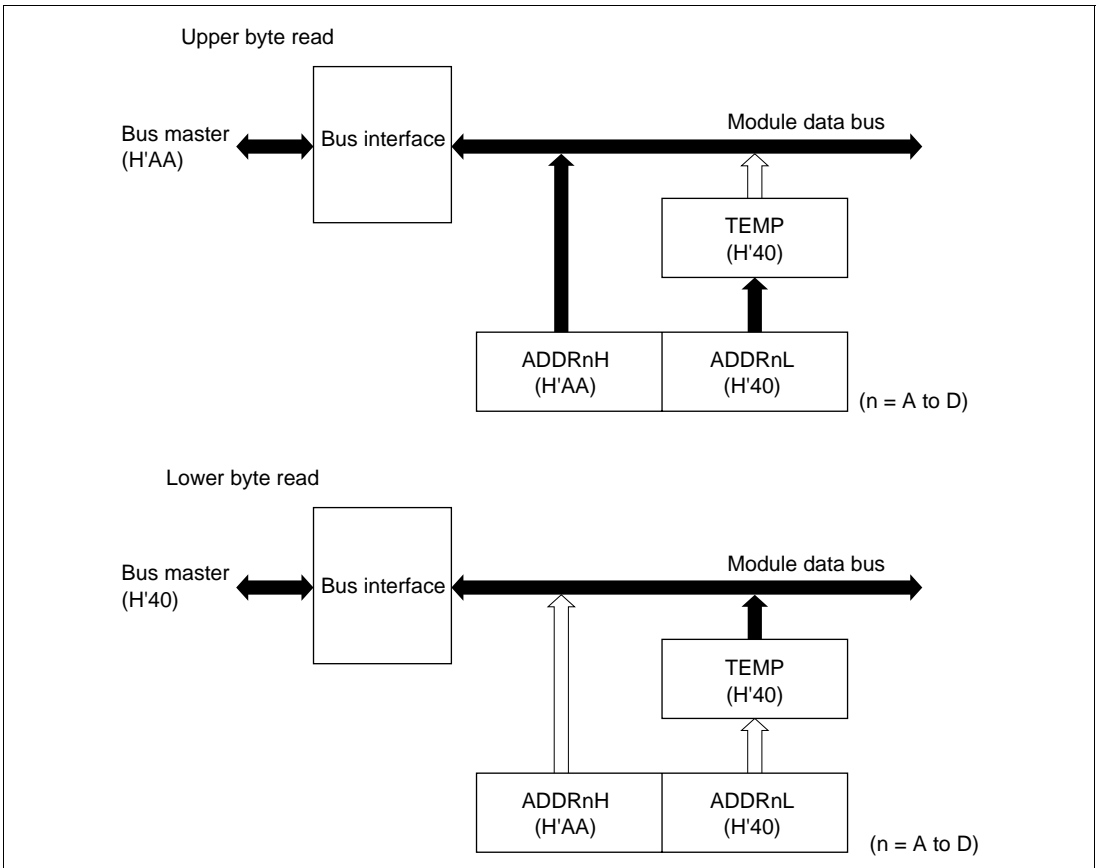


Figure 16-2 ADDR Access Operation (Reading H'AA40)

## 16.4 Operation

The A/D converter operates by successive approximation with 10-bit resolution. It has two operating modes: single mode and scan mode.

### 16.4.1 Single Mode (SCAN = 0)

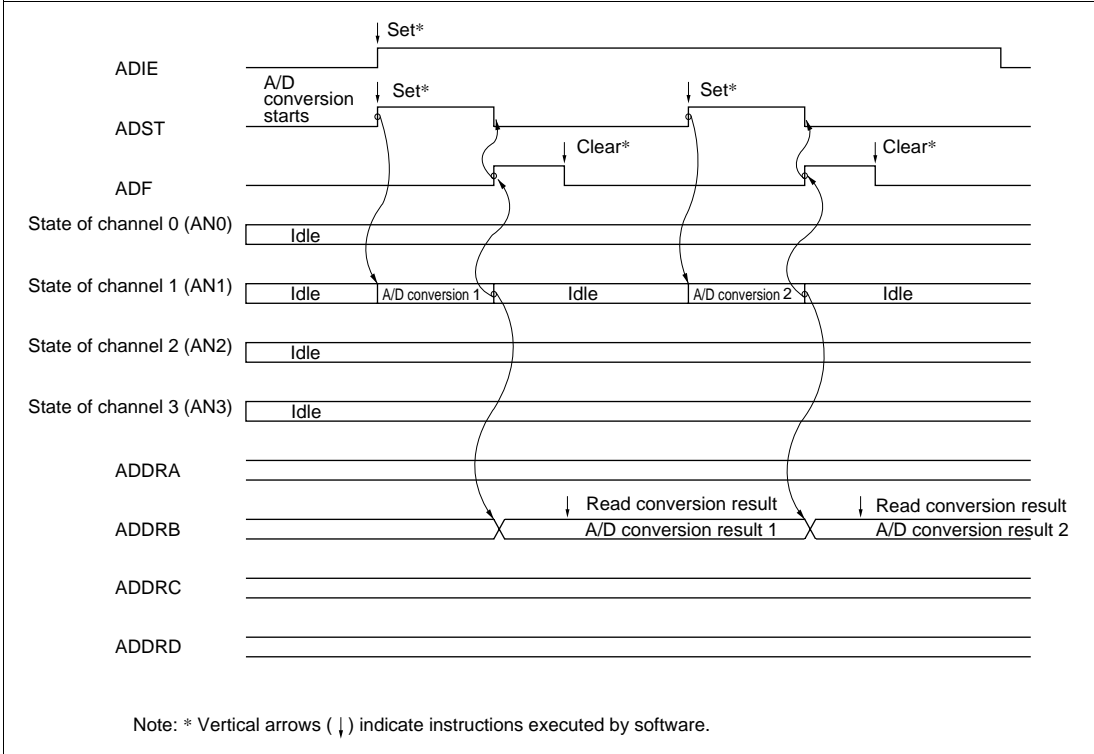
Single mode is selected when A/D conversion is to be performed on a single channel only. A/D conversion is started when the ADST bit is set to 1, according to the software or external trigger input. The ADST bit remains set to 1 during A/D conversion, and is automatically cleared to 0 when conversion ends.

On completion of conversion, the ADF flag is set to 1. If the ADIE bit is set to 1 at this time, an ADI interrupt request is generated. The ADF flag is cleared by writing 0 after reading ADCSR.

When the operating mode or analog input channel must be changed during analog conversion, to prevent incorrect operation, first clear the ADST bit to 0 in ADCSR to halt A/D conversion. After making the necessary changes, set the ADST bit to 1 to start A/D conversion again. The ADST bit can be set at the same time as the operating mode or input channel is changed.

Typical operations when channel 1 (AN1) is selected in single mode are described next. Figure 16-3 shows a timing diagram for this example.

- [1] Single mode is selected (SCAN = 0), input channel AN1 is selected (CH3 = 0, CH2 = 0, CH1 = 0, CH0 = 1), the A/D interrupt is enabled (ADIE = 1), and A/D conversion is started (ADST = 1).
- [2] When A/D conversion is completed, the result is transferred to ADDR0. At the same time the ADF flag is set to 1, the ADST bit is cleared to 0, and the A/D converter becomes idle.
- [3] Since ADF = 1 and ADIE = 1, an ADI interrupt is requested.
- [4] The A/D interrupt handling routine starts.
- [5] The routine reads ADCSR, then writes 0 to the ADF flag.
- [6] The routine reads and processes the conversion result (ADDR0).
- [7] Execution of the A/D interrupt handling routine ends. After that, if the ADST bit is set to 1, A/D conversion starts again and steps [2] to [7] are repeated.



**Figure 16-3 Example of A/D Converter Operation (Single Mode, Channel 1 Selected)**

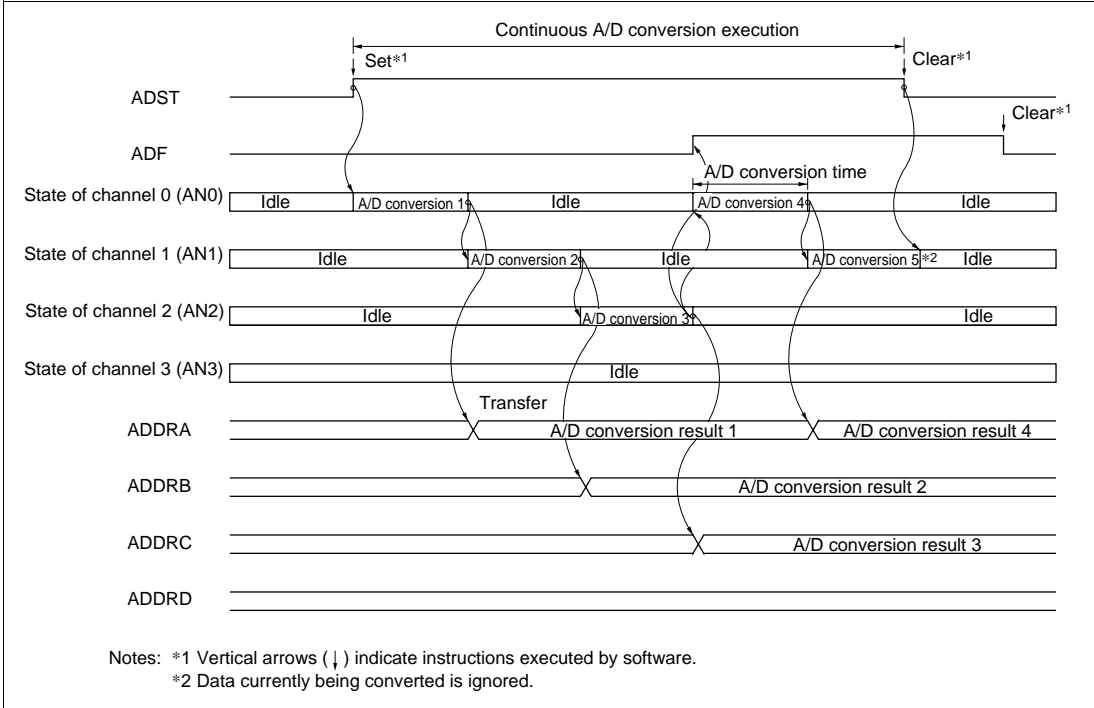
## 16.4.2 Scan Mode (SCAN = 1)

Scan mode is useful for monitoring analog inputs in a group of one or more channels. When the ADST bit is set to 1 by a software, timer or external trigger input, A/D conversion starts on the first channel in the group (AN0). When two or more channels are selected, after conversion of the first channel ends, conversion of the second channel (AN1) starts immediately. A/D conversion continues cyclically on the selected channels until the ADST bit is cleared to 0. The conversion results are transferred for storage into the ADDR registers corresponding to the channels.

When the operating mode or analog input channel must be changed during analog conversion, to prevent incorrect operation, first clear the ADST bit to 0 in ADCSR to halt A/D conversion. After making the necessary changes, set the ADST bit to 1 to start A/D conversion again from the first channel (AN0). The ADST bit can be set at the same time as the operating mode or input channel is changed.

Typical operations when three channels (AN0 to AN2) are selected in scan mode are described next. Figure 16-4 shows a timing diagram for this example.

- [1] Scan mode is selected (SCAN = 1), channel set 0 is selected (CH3 = 0), scan group 0 is selected (CH2 = 0), analog input channels AN0 to AN2 are selected (CH1 = 1, CH0 = 0), and A/D conversion is started (ADST = 1)
- [2] When A/D conversion of the first channel (AN0) is completed, the result is transferred to ADDRA. Next, conversion of the second channel (AN1) starts automatically.
- [3] Conversion proceeds in the same way through the third channel (AN2).
- [4] When conversion of all the selected channels (AN0 to AN2) is completed, the ADF flag is set to 1 and conversion of the first channel (AN0) starts again. If the ADIE bit is set to 1 at this time, an ADI interrupt is requested after A/D conversion ends.
- [5] Steps [2] to [4] are repeated as long as the ADST bit remains set to 1. When the ADST bit is cleared to 0, A/D conversion stops. After that, if the ADST bit is set to 1, A/D conversion starts again from the first channel (AN0).



**Figure 16-4 Example of A/D Converter Operation  
 (Scan Mode, 3 Channels AN0 to AN2 Selected)**

### 16.4.3 Input Sampling and A/D Conversion Time

The A/D converter has a built-in sample-and-hold circuit. The A/D converter samples the analog input at a time  $t_D$  after the ADST bit is set to 1, then starts conversion. Figure 16-5 shows the A/D conversion timing. Table 16-4 indicates the A/D conversion time.

As indicated in figure 16-5, the A/D conversion time includes  $t_D$  and the input sampling time. The length of  $t_D$  varies depending on the timing of the write access to ADCSR. The total conversion time therefore varies within the ranges indicated in table 16-4.

In scan mode, the values given in table 16-4 apply to the first conversion time. The values given in table 16-5 apply to the second and subsequent conversions. In both cases, set bits CKS1 and CKS0 in ADCR to give a value not lower than that shown in table 22-8.

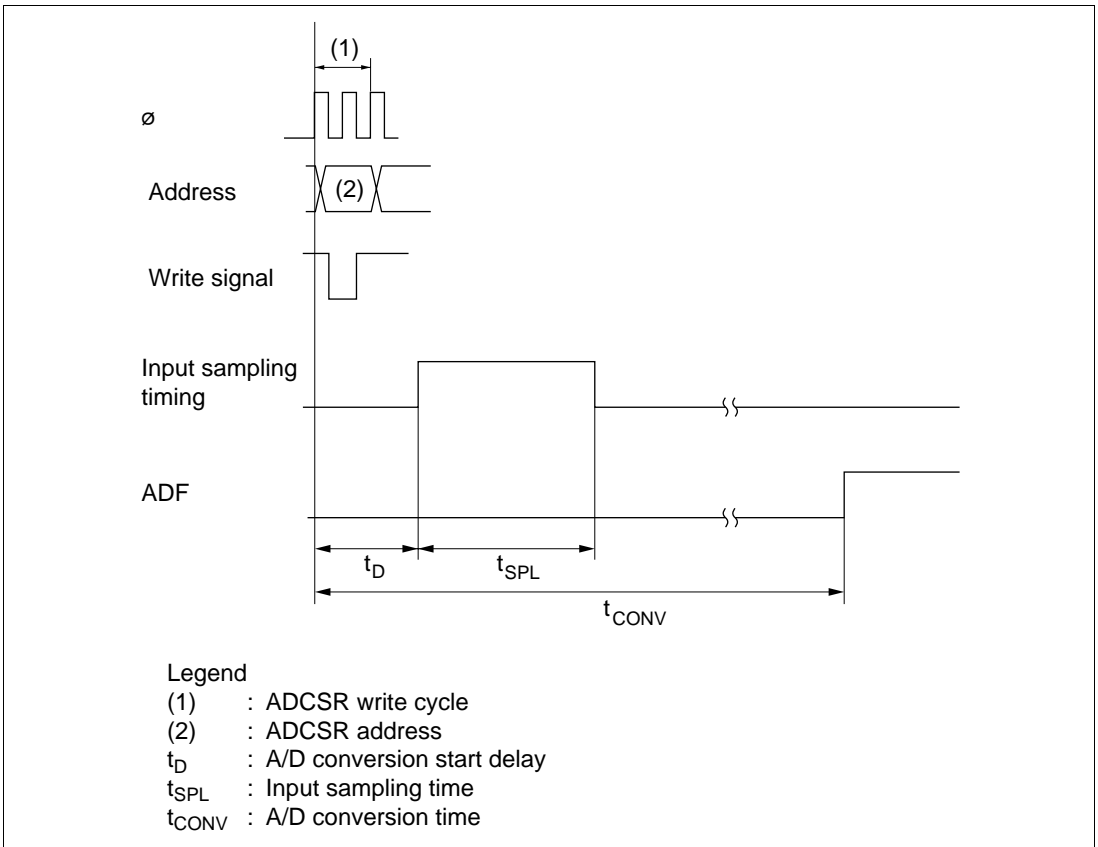


Figure 16-5 A/D Conversion Timing



**Table 16-4 A/D Conversion Time (Single Mode)**

Item	Symbol	CKS1 = 0						CKS1 = 0					
		CKS0 = 0			CKS0 = 1			CKS0 = 0			CKS0 = 1		
		Min	Typ	Max	Min	Typ	Max	Min	Typ	Max	Min	Typ	Max
A/D conversion start delay $t_D$		18	—	33	10	—	17	6	—	9	4	—	5
Input sampling time	$t_{SPL}$	—	127	—	—	63	—	—	31	—	—	15	—
A/D conversion time	$t_{CONV}$	515	—	530	259	—	266	131	—	134	67	—	68

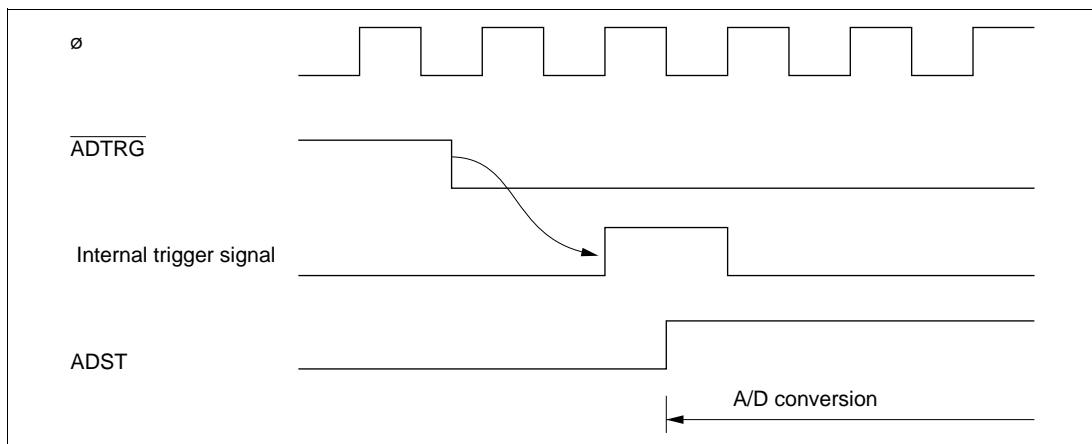
Note: Values in the table are the number of states.

**Table 16-5 A/D Conversion Time (Scan Mode)**

CKS1	CKS0	Conversion Time (State)
0	0	512 (Fixed)
	1	256 (Fixed)
1	0	128 (Fixed)
	1	64 (Fixed)

### 16.4.4 External Trigger Input Timing

A/D conversion can be externally triggered. When the TRGS1 and TRGS0 bits are set to 11 in ADCR, external trigger input is enabled at the  $\overline{ADTRG}$  pin. A falling edge at the  $\overline{ADTRG}$  pin sets the ADST bit to 1 in ADCSR, starting A/D conversion. Other operations, in both single and scan modes, are the same as if the ADST bit has been set to 1 by software. Figure 16-6 shows the timing.



**Figure 16-6 External Trigger Input Timing**

## 16.5 Interrupts

The A/D converter generates an A/D conversion end interrupt (ADI) at the end of A/D conversion. ADI interrupt requests can be enabled or disabled by means of the ADIE bit in ADCSR.

The DTC can be activated by an ADI interrupt. Having the converted data read by the DTC in response to an ADI interrupt enables continuous conversion to be achieved without imposing a load on software.

The A/D converter interrupt source is shown in table 16-6.

**Table 16-6 A/D Converter Interrupt Source**

Interrupt Source	Description	DTC Activation
ADI	Interrupt due to end of conversion	Possible

## 16.6 Usage Notes

The following points should be noted when using the A/D converter.

### Setting Range of Analog Power Supply and Other Pins:

(1) Analog input voltage range

The voltage applied to analog input pin ANn during A/D conversion should be in the range  $AVSS \leq ANn \leq Vref$ .

(2) Relation between AVCC, AVSS and VCC, VSS

As the relationship between AVCC, AVSS and VCC, VSS, set  $AVSS = VSS$ . If the A/D converter is not used, the AVCC and AVSS pins must on no account be left open.

(3) Vref input range

The analog reference voltage input at the Vref pin set in the range  $Vref \leq AVCC$ .

If conditions (1), (2), and (3) above are not met, the reliability of the device may be adversely affected.

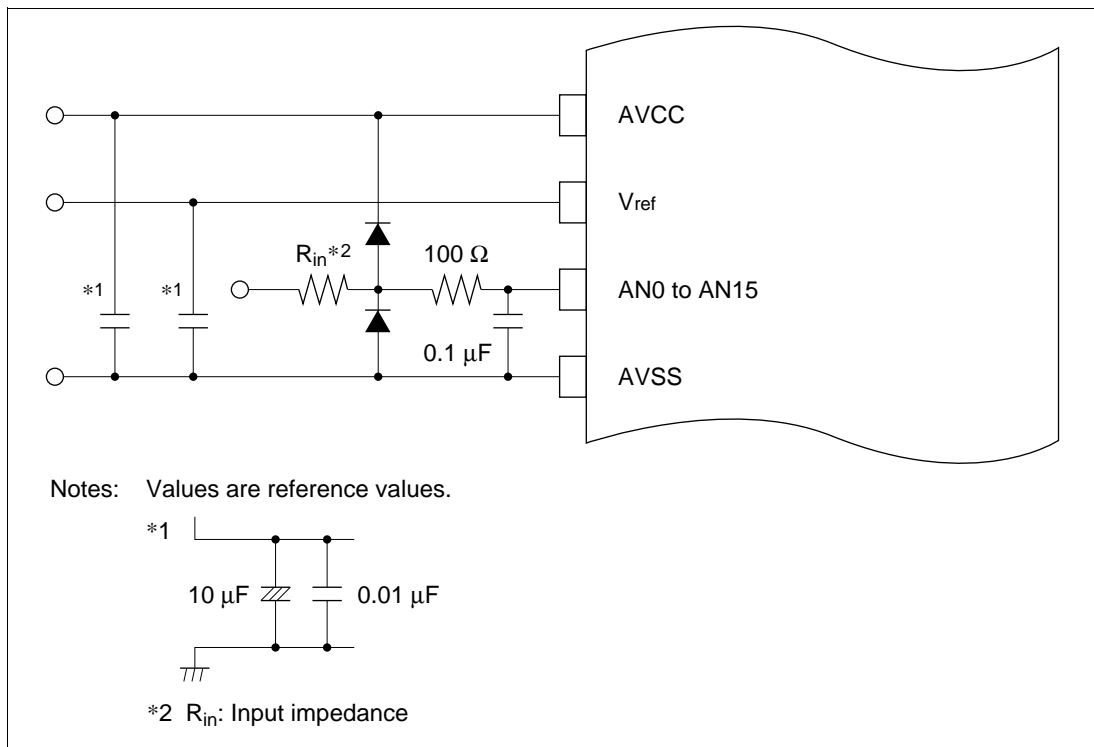
**Notes on Board Design:** In board design, digital circuitry and analog circuitry should be as mutually isolated as possible, and layout in which digital circuit signal lines and analog circuit signal lines cross or are in close proximity should be avoided as far as possible. Failure to do so may result in incorrect operation of the analog circuitry due to inductance, adversely affecting A/D conversion values.

Also, digital circuitry must be isolated from the analog input signals (AN0 to AN15), analog reference power supply (Vref), and analog power supply (AVCC) by the analog ground (AVSS). Also, the analog ground (AVSS) should be connected at one point to a stable digital ground (VSS) on the board.

**Notes on Noise Countermeasures:** A protection circuit connected to prevent damage due to an abnormal voltage such as an excessive surge at the analog input pins (AN0 to AN15) and analog reference power supply (Vref) should be connected between AVCC and AVSS as shown in figure 16-7.

Also, the bypass capacitors connected to AVCC and Vref and the filter capacitor connected to AN0 to AN15 must be connected to AVSS.

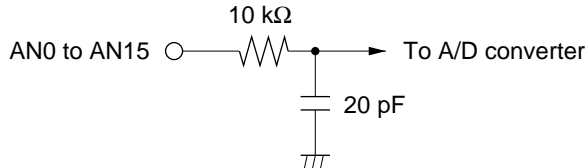
If a filter capacitor is connected as shown in figure 16-7, the input currents at the analog input pins (AN0 to AN15) are averaged, and so an error may arise. Also, when A/D conversion is performed frequently, as in scan mode, if the current charged and discharged by the capacitance of the sample-and-hold circuit in the A/D converter exceeds the current input via the input impedance ( $R_{in}$ ), an error will arise in the analog input pin voltage. Careful consideration is therefore required when deciding the circuit constants.



**Figure 16-7 Example of Analog Input Protection Circuit**

**Table 16-7 Analog Pin Specifications**

Item	Min	Max	Unit
Analog input capacitance	—	20	pF
Permissible signal source impedance	—	5	kΩ

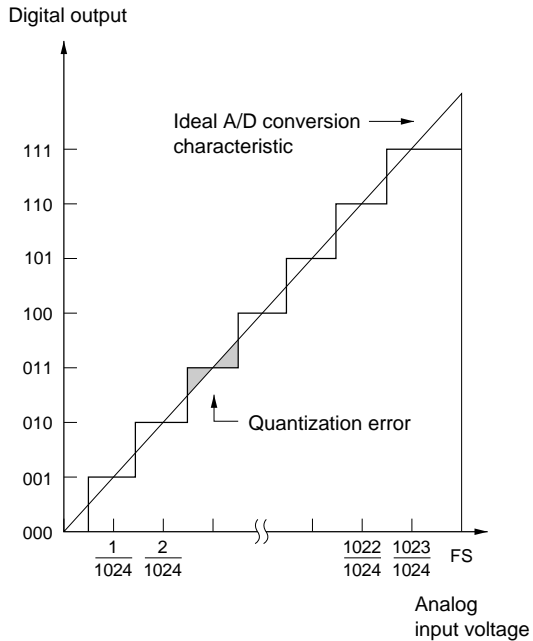


Note: Values are reference values.

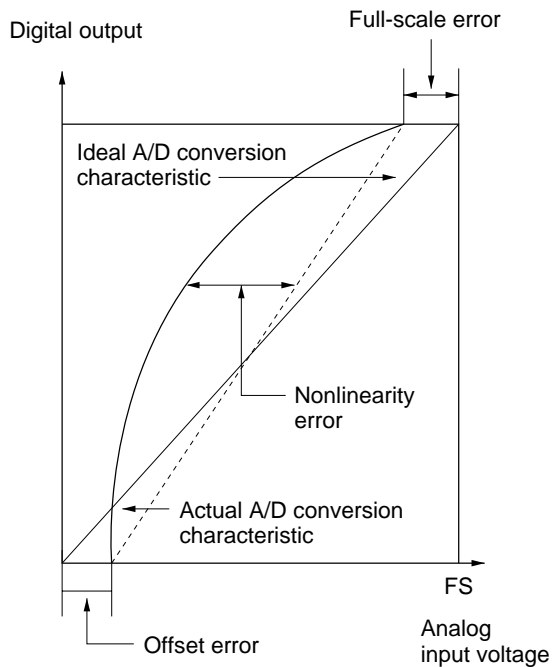
**Figure 16-8 Analog Input Pin Equivalent Circuit**

**A/D Conversion Precision Definitions:** H8S/2626 Series and H8S/2623 Series A/D conversion precision definitions are given below.

- Resolution  
The number of A/D converter digital output codes
- Offset error  
The deviation of the analog input voltage value from the ideal A/D conversion characteristic when the digital output changes from the minimum voltage value B'000000000 (H'00) to B'000000001 (H'01) (see figure 16-10).
- Full-scale error  
The deviation of the analog input voltage value from the ideal A/D conversion characteristic when the digital output changes from B'111111110 (H'3E) to B'111111111 (H'3F) (see figure 16-10).
- Quantization error  
The deviation inherent in the A/D converter, given by 1/2 LSB (see figure 16-9).
- Nonlinearity error  
The error with respect to the ideal A/D conversion characteristic between the zero voltage and the full-scale voltage. Does not include the offset error, full-scale error, or quantization error.
- Absolute precision  
The deviation between the digital value and the analog input value. Includes the offset error, full-scale error, quantization error, and nonlinearity error.



**Figure 16-9 A/D Conversion Precision Definitions (1)**



**Figure 16-10 A/D Conversion Precision Definitions (2)**

**Permissible Signal Source Impedance:** H8S/2626 Series and H8S/2623 Series analog input is designed so that conversion precision is guaranteed for an input signal for which the signal source impedance is 10 k $\Omega$  or less. This specification is provided to enable the A/D converter's sample-and-hold circuit input capacitance to be charged within the sampling time; if the sensor output impedance exceeds 10 k $\Omega$ , charging may be insufficient and it may not be possible to guarantee the A/D conversion precision.

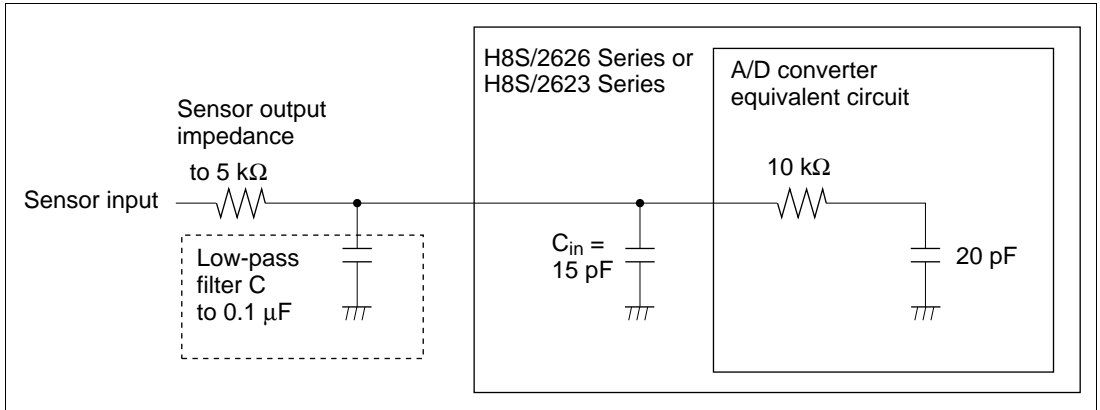
However, if a large capacitance is provided externally, the input load will essentially comprise only the internal input resistance of 10 k $\Omega$ , and the signal source impedance is ignored.

However, since a low-pass filter effect is obtained in this case, it may not be possible to follow an analog signal with a large differential coefficient (e.g., 5 mV/ $\mu$ s or greater).

When converting a high-speed analog signal, a low-impedance buffer should be inserted.

**Influences on Absolute Precision:** Adding capacitance results in coupling with GND, and therefore noise in GND may adversely affect absolute precision. Be sure to make the connection to an electrically stable GND such as AVSS.

Care is also required to insure that filter circuits do not communicate with digital signals on the mounting board, so acting as antennas.



**Figure 16-11 Example of Analog Input Circuit**

# Section 17 D/A Converter

## [Provided in the H8S/2626 Series only]

### 17.1 Overview

The H8S/2626 Series has an on-chip two-channel D/A converter.

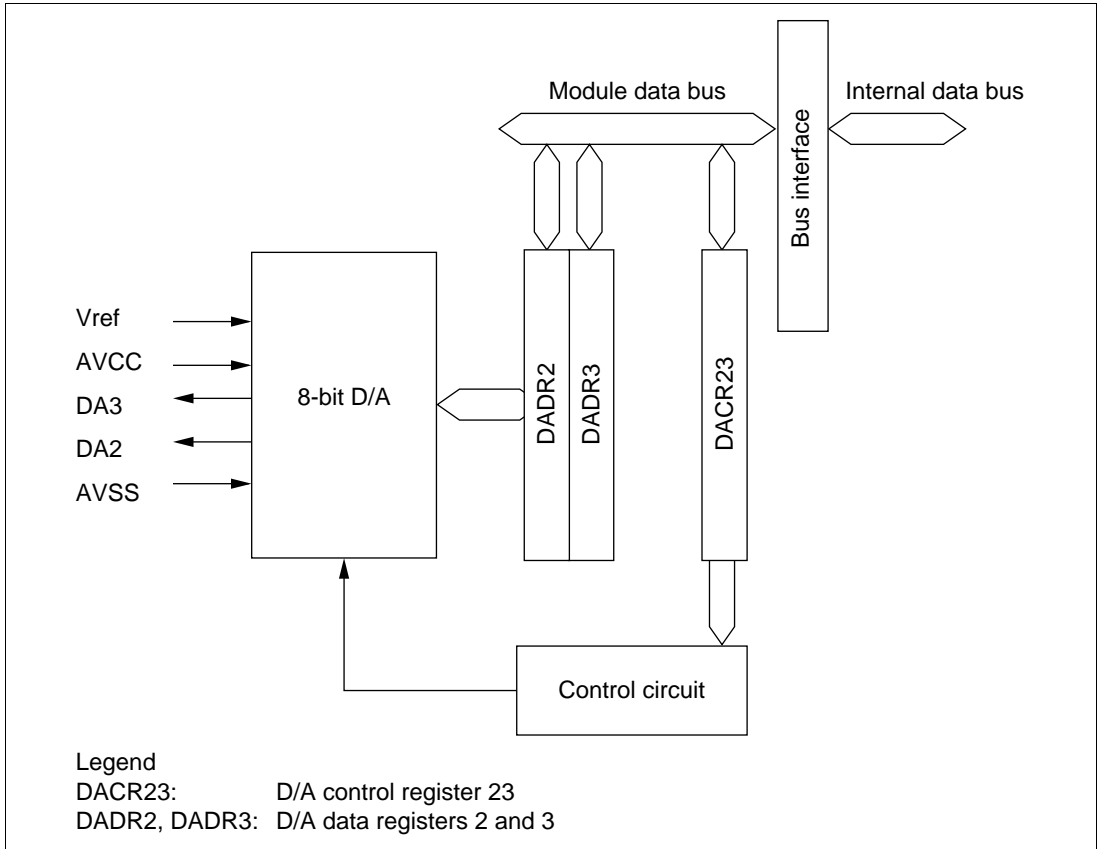
#### 17.1.1 Features

The D/A converter has the following features.

- 8-bit resolution
- Two output channels
- Conversion time: maximum 10  $\mu$ s (with 20 pF capacitive load)
- Output voltage: 0 V to Vref
- D/A output retention in software standby mode
- Module stop mode setting possible
  - The initial setting is for D/A converter operation to be halted. Register access is enabled by clearing module stop mode.

## 17.1.2 Block Diagram

Figure 17-1 shows a block diagram of the D/A converter.



**Figure 17-1 Block Diagram of D/A Converter**



### 17.1.3 Pin Configuration

Table 17-1 summarizes the input and output pins used by the D/A converter.

**Table 17-1 D/A Converter Pins**

Pin Name	Symbol	I/O	Function
Analog power supply pin	AVCC	Input	Analog power supply
Analog ground pin	AVSS	Input	Analog ground and reference voltage
Analog output pin 2	DA2	Output	Channel 2 analog output
Analog output pin 3	DA3	Output	Channel 3 analog output
Reference voltage pin	Vref	Input	Analog reference voltage

### 17.1.4 Register Configuration

Table 17-2 summarizes the registers of the D/A converter.

**Table 17-2 D/A Converter Registers**

Channel	Name	Abbreviation	R/W	Initial Value	Address*
2, 3	D/A data register 2	DADR2	R/W	H'00	H'FDAC
	D/A data register 3	DADR3	R/W	H'00	H'FDAD
	D/A control register 23	DACR23	R/W	H'1F	H'FDAE
All	Module stop control register C	MSTPCRC	R/W	H'FF	H'FDEA

Note: \* Lower 16 bits of the address

## 17.2 Register Descriptions

### 17.2.1 D/A Data Registers 2 and 3 (DADR2, DADR3)

Bit	:	7	6	5	4	3	2	1	0
Initial value	:	0	0	0	0	0	0	0	0
R/W	:	R/W	R/W	R/W	R/W	R/W	R/W	R/W	R/W

DADR2 and DADR3 are 8-bit readable/writable registers that store the data to be converted. When analog output is enabled, the values in DADR2 and DADR3 are constantly converted and output at the analog output pins.

The D/A data registers are initialized to H'00 by a reset and in hardware standby mode.

### 17.2.2 D/A Control Register 23 (DACR23)

Bit	:	7	6	5	4	3	2	1	0
		DAOE1	DAOE0	DAE	—	—	—	—	—
Initial value	:	0	0	0	1	1	1	1	1
R/W	:	R/W	R/W	R/W	—	—	—	—	—

DACR23 is an 8-bit readable/writable register that controls the operation of the D/A converter.

DACR23 is initialized to H'1F by a reset and in hardware standby mode.

**Bit 7—D/A Output Enable 1 (DAOE1):** Controls D/A conversion and analog output.

#### Bit 7

DAOE1	Description
0	DA3 analog output is disabled (Initial value)
1	Channel 3 D/A conversion and DA3 analog output are enabled

**Bit 6—D/A Output Enable 0 (DAOE0):** Controls D/A conversion and analog output.

#### Bit 6

DAOE0	Description
0	DA2 analog output is disabled (Initial value)
1	Channel 2 D/A conversion and DA2 analog output are enabled

**Bit 5—D/A Enable (DAE):** Controls D/A conversion, together with bits DAOE0 and DAOE1. When the DAE bit is cleared to 0, D/A conversion is controlled independently in channels 2 and 3. When the DAE bit is set to 1, D/A conversion is controlled together in channels 2 and 3.

Output of the conversion result is always controlled independently by bits DAOE0 and DAOE1.

Bit 7	Bit 6	Bit 5	Description	
DAOE1	DAOE0	DAE		
0	0	*	D/A conversion is disabled in channels 2 and 3 (Initial value)	
	1	0	D/A conversion is enabled in channel 2	
		1	D/A conversion is disabled in channel 3	
0	0	1	D/A conversion is enabled in channels 2 and 3	
		0	0	D/A conversion is disabled in channel 2
			1	D/A conversion is enabled in channel 3
1	1	0	D/A conversion is disabled in channels 2 and 3	
		1	D/A conversion is enabled in channels 2 and 3	

\*: Don't care

If the chip enters software standby mode while D/A conversion is enabled, the D/A output is retained and the analog power supply current is the same as the analog power supply current during D/A conversion. If it is necessary to reduce the analog power supply current in software standby mode, D/A output should be disabled by clearing both the DAOE0 bit and the DAOE1 bit to 0.

**Bits 4 to 0—Reserved:** These bits are always read as 1, and cannot be modified.

### 17.2.3 Module Stop Control Register C (MSTPCRC)

Bit	:	7	6	5	4	3	2	1	0
		MSTPC7	MSTPC6	MSTPC5	MSTPC4	MSTPC3	MSTPC2	MSTPC1	MSTPC0
Initial value :		1	1	1	1	1	1	1	1
R/W	:	R/W	R/W	R/W	R/W	R/W	R/W	R/W	R/W

MSTPCRC is an 8-bit readable/writable register that performs module stop mode control.

When the MSTPC5 bit is set to 1, D/A converter operation is stopped at the end of the bus cycle, and module stop mode is entered. Register read/write accesses are not possible in module stop mode. For details, see section 21B.5, Module Stop Mode.

MSTPCRC is initialized to H'FF by a reset and in hardware standby mode. It is not initialized in software standby mode.

**Bit 5—Module Stop (MSTPC5):** Specifies module stop mode for the D/A converter (channels 2 and 3).

#### Bit 5

MSTPC5	Description
0	D/A converter (channels 2 and 3) module stop mode is cleared
1	D/A converter (channels 2 and 3) module stop mode is set (Initial value)

## 17.3 Operation

The D/A converter has two built-in D/A conversion circuits that can perform conversion independently.

D/A conversion is performed constantly while enabled in DACR23. If the DADR2 or DADR3 value is modified, conversion of the new data begins immediately. The conversion results are output when bits DAOE0 and DAOE1 are set to 1.

An example of D/A conversion on channel 2 is given below. The timing is shown in figure 17-2.

1. Data to be converted is written in DADR2.
2. Bit DAOE0 is set to 1 in DACR23. D/A conversion starts and DA2 becomes an output pin. The conversion result is output after the conversion time. The output value is  $(\text{DADR2 contents}/256) \times V_{\text{ref}}$ . Output of this conversion result continues until the value in DADR2 is modified or the DAOE0 bit is cleared to 0.
3. If the DADR2 value is modified, conversion starts immediately, and the result is output after the conversion time.
4. When the DAOE0 bit is cleared to 0, DA2 becomes an input pin.

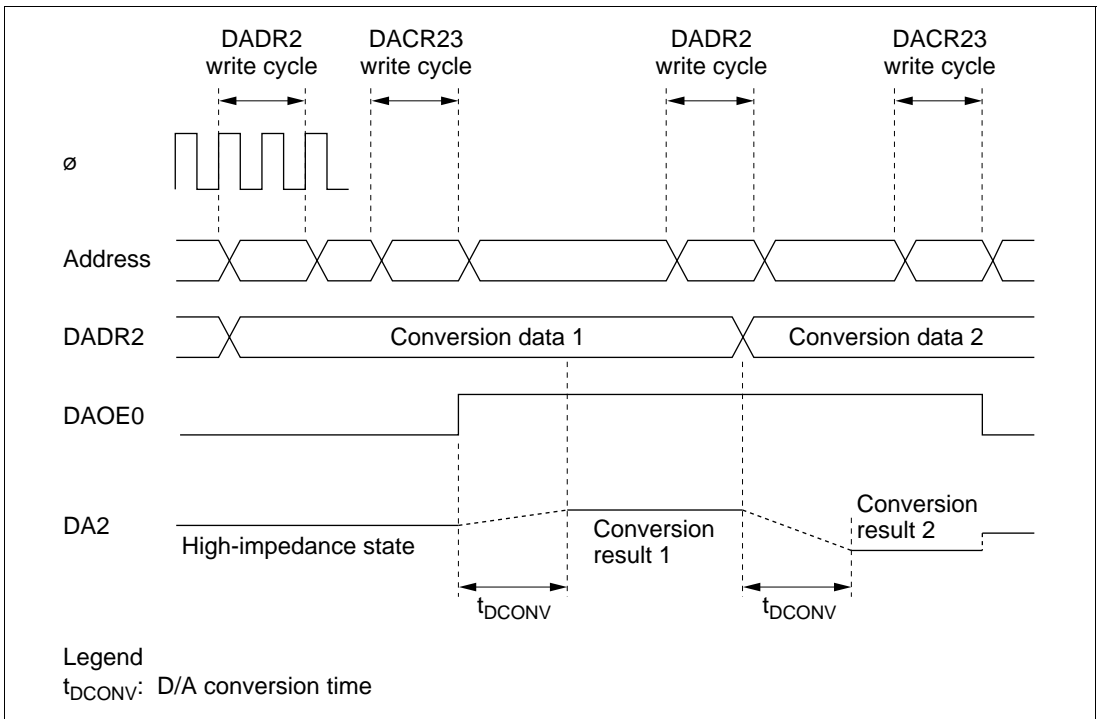


Figure 17-2 Example of D/A Converter Operation



# Section 18 RAM

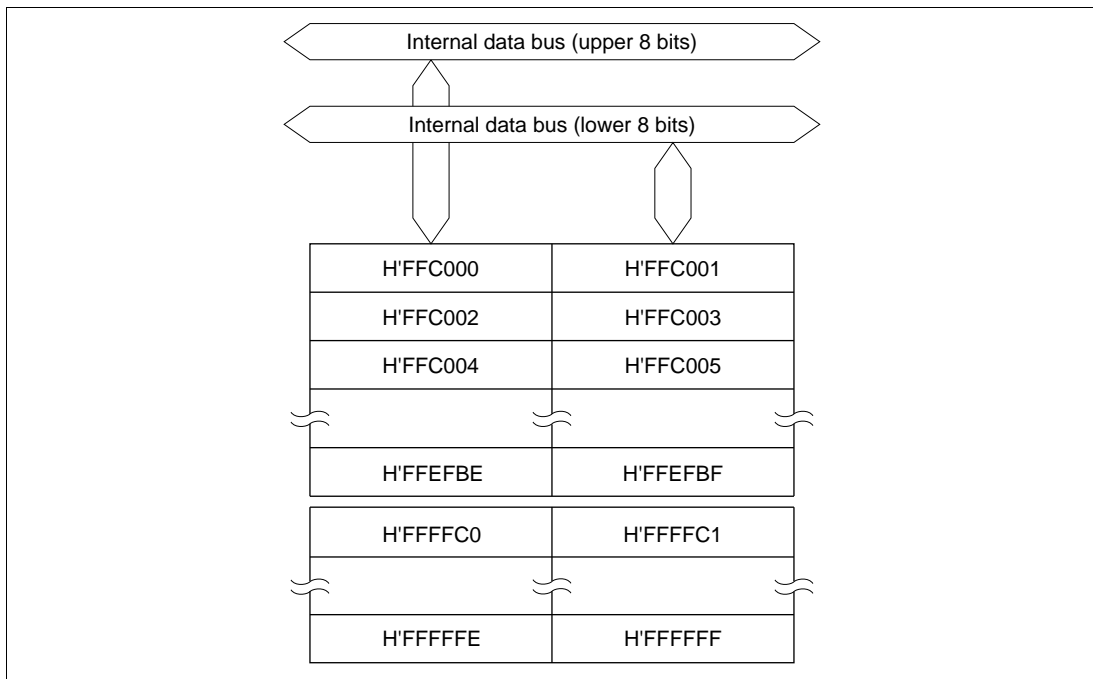
## 18.1 Overview

The H8S/2626 and H8S/2623 have 12 kbytes of on-chip high-speed static RAM, the H8S/2625 and H8S/2622 have 8 kbytes, and the H8S/2624 and H8S/2621 have 4 kbytes. The RAM is connected to the CPU by a 16-bit data bus, enabling one-state access by the CPU to both byte data and word data. This makes it possible to perform fast word data transfer.

The on-chip RAM can be enabled or disabled by means of the RAM enable bit (RAME) in the system control register (SYSCR).

### 18.1.1 Block Diagram

Figure 18-1 shows a block diagram of the on-chip RAM.



**Figure 18-1 Block Diagram of RAM (H8S/2623)**

## 18.1.2 Register Configuration

The on-chip RAM is controlled by SYSCR. Table 18-1 shows the address and initial value of SYSCR.

**Table 18-1 RAM Register**

Name	Abbreviation	R/W	Initial Value	Address*
System control register	SYSCR	R/W	H'01	H'FDE5

Note: \* Lower 16 bits of the address.

## 18.2 Register Descriptions

### 18.2.1 System Control Register (SYSCR)

Bit	:	7	6	5	4	3	2	1	0
		MACS	—	INTM1	INTM0	NMIEG	—	—	RAME
Initial value :		0	0	0	0	0	0	0	1
R/W	:	R/W	—	R/W	R/W	R/W	R/W	—	R/W

The on-chip RAM is enabled or disabled by the RAME bit in SYSCR. For details of other bits in SYSCR, see section 3.2.2, System Control Register (SYSCR).

**Bit 0—RAM Enable (RAME):** Enables or disables the on-chip RAM. The RAME bit is initialized when the reset state is released. It is not initialized in software standby mode.

Note: When the DTC is used, the RAME bit must be set to 1.

#### Bit 0

RAME	Description
0	On-chip RAM is disabled
1	On-chip RAM is enabled (Initial value)



## 18.3 Operation

When the RAME bit is set to 1, accesses to addresses H'FFC000 to H'FFEFBF and H'FFFFC0 to H'FFFFFF in the H8S/2626 and H8S/2623, to addresses H'FFD000 to H'FFEFBF and H'FFFFC0 to H'FFFFFF in the H8S/2625 and H8S/2622, and to addresses H'FFE000 to H'FFEFBF and H'FFFFC0 to H'FFFFFF in the H8S/2624 and H8S/2621, are directed to the on-chip RAM. When the RAME bit is cleared to 0, the off-chip address space is accessed.

Since the on-chip RAM is connected to the CPU by an internal 16-bit data bus, it can be written to and read in byte or word units. Each type of access can be performed in one state.

Even addresses use the upper 8 bits, and odd addresses use the lower 8 bits. Word data must start at an even address.

## 18.4 Usage Notes

**When Using the DTC:** DTC register information can be located in addresses H'FFEBC0 to H'FFEFBF. When the DTC is used, the RAME bit must not be cleared to 0.

**Reserved Areas:** Addresses H'FFB000 to H'FFBFFF in the H8S/2626 and H8S/2623, H'FFB000 to H'FFCFFF in the H8S/2625 and H8S/2622, and H'FFB000 to H'FFDFFF in the H8S/2624 and H8S/2621, are reserved areas that cannot be read or written to. When the RAME bit is cleared to 0, external address space is accessed.



## 19.1 Features

The H8S/2626 Series and H8S/2623 Series have 256 kbytes of on-chip flash memory. The features of the flash memory are summarized below.

- Four flash memory operating modes
  - Program mode
  - Erase mode
  - Program-verify mode
  - Erase-verify mode
- Programming/erase methods

The flash memory is programmed 128 bytes at a time. Block erase (in single-block units) can be performed. To erase the entire flash memory, each block must be erased in turn. Block erasing can be performed as required on 4-kbyte, 32-kbyte, and 64-kbyte blocks.
- Programming/erase times

The flash memory programming time is 10 ms (typ.) for simultaneous 128-byte programming, equivalent to 78  $\mu$ s (typ.) per byte, and the erase time is 100 ms (typ.).
- Reprogramming capability

The flash memory can be reprogrammed up to 100 times.
- On-board programming modes

There are two modes in which flash memory can be programmed/erased/verified on-board:

  - Boot mode
  - User program mode
- Automatic bit rate adjustment

With data transfer in boot mode, the LSI's bit rate can be automatically adjusted to match the transfer bit rate of the host.
- Flash memory emulation in RAM

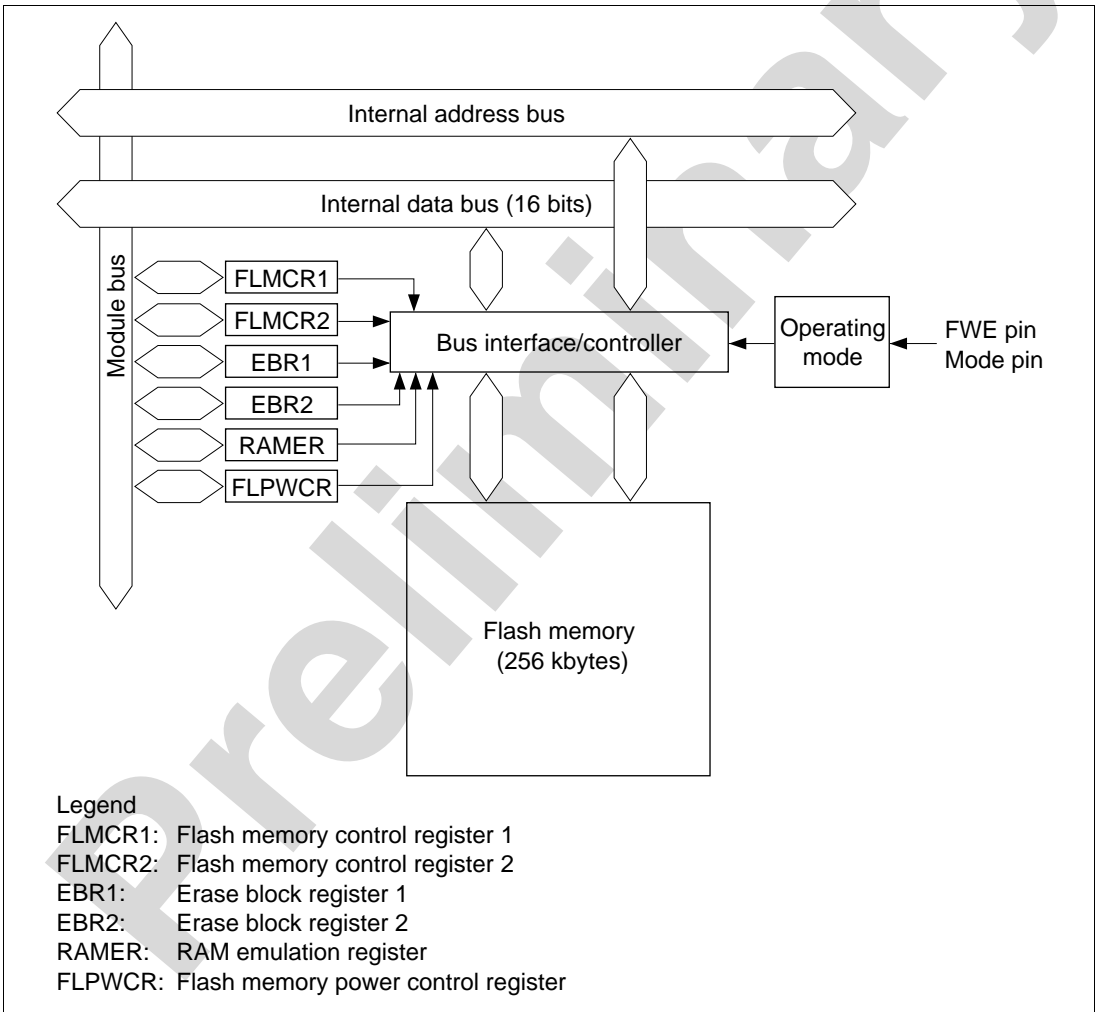
Flash memory programming can be emulated in real time by overlapping a part of RAM onto flash memory.
- Protect modes

There are three protect modes, hardware, software, and error protection which allow protected status to be designated for flash memory program/erase/verify operations.
- Programmer mode

Flash memory can be programmed/erased in programmer mode, using a PROM programmer, as well as in on-board programming mode.

## 19.2 Overview

### 19.2.1 Block Diagram



**Figure 19-1 Block Diagram of Flash Memory**

## 19.2.2 Mode Transitions

When the mode pins and the FWE pin are set in the reset state and a reset-start is executed, the microcomputer enters an operating mode as shown in figure 19-2. In user mode, flash memory can be read but not programmed or erased.

The boot, user program and programmer modes are provided as modes to write and erase the flash memory.

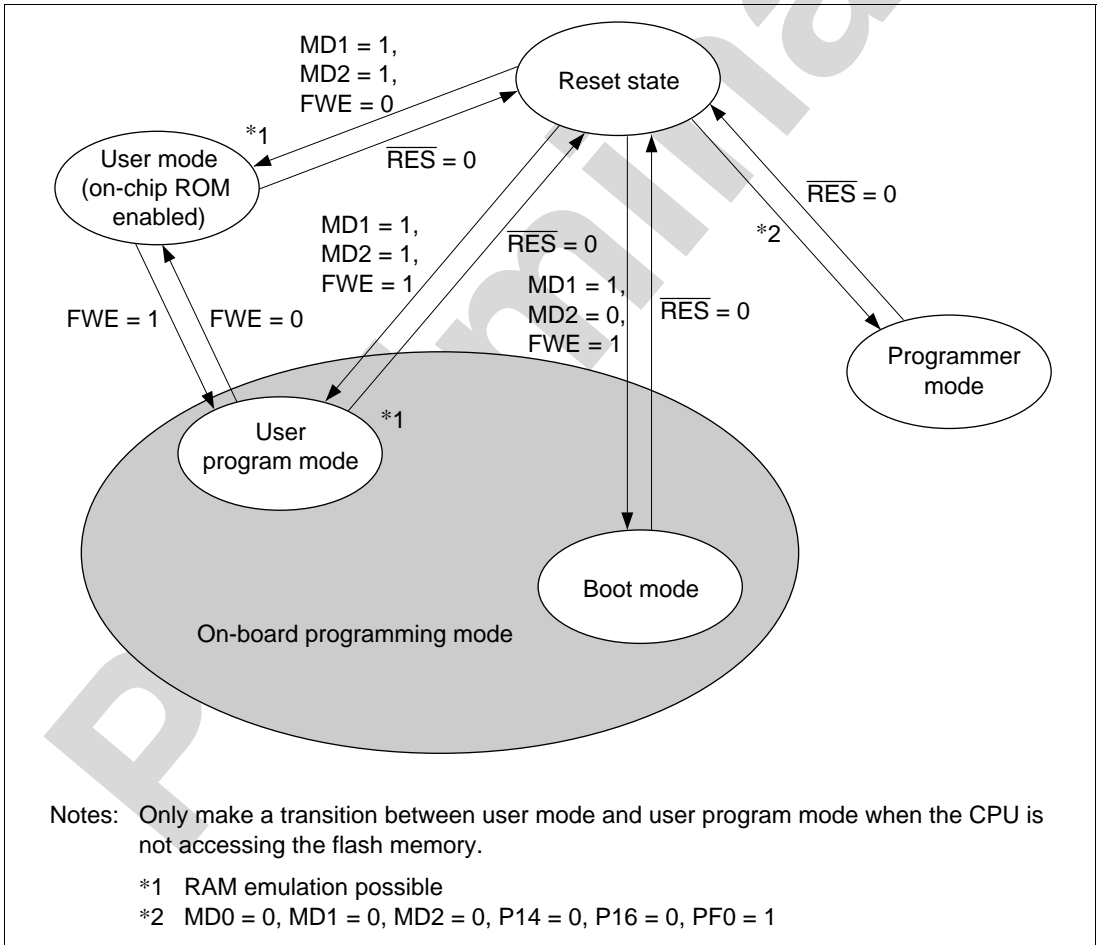


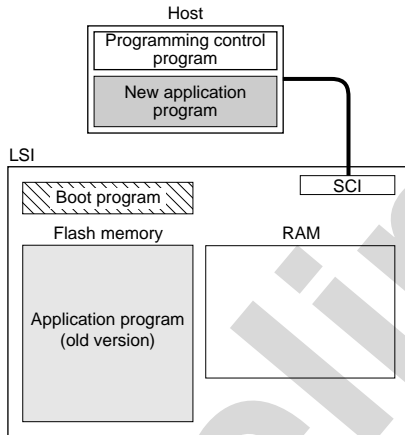
Figure 19-2 Flash Memory State Transitions

## 19.2.3 On-Board Programming Modes

### Boot Mode

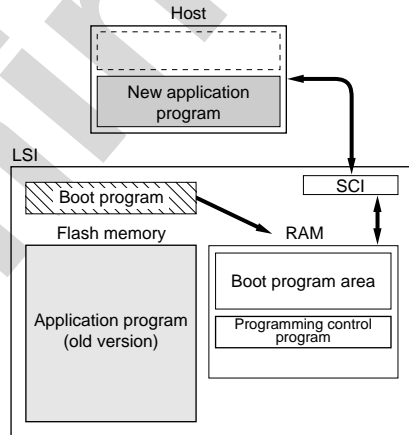
#### 1. Initial state

The old program version or data remains written in the flash memory. The user should prepare the programming control program and new application program beforehand in the host.



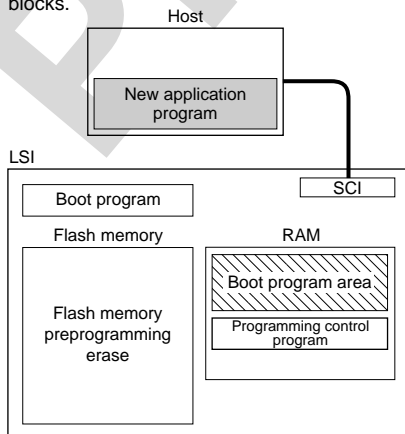
#### 2. Programming control program transfer

When boot mode is entered, the boot program in the H8S/2626 or H8S/2623 (originally incorporated in the chip) is started and the programming control program in the host is transferred to RAM via SCI communication. The boot program required for flash memory erasing is automatically transferred to the RAM boot program area.



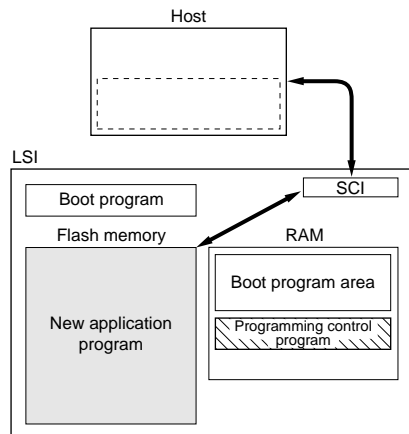
#### 3. Flash memory initialization

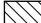
The erase program in the boot program area (in RAM) is executed, and the flash memory is initialized (to H'FF). In boot mode, total flash memory erasure is performed, without regard to blocks.



#### 4. Writing new application program

The programming control program transferred from the host to RAM is executed, and the new application program in the host is written into the flash memory.

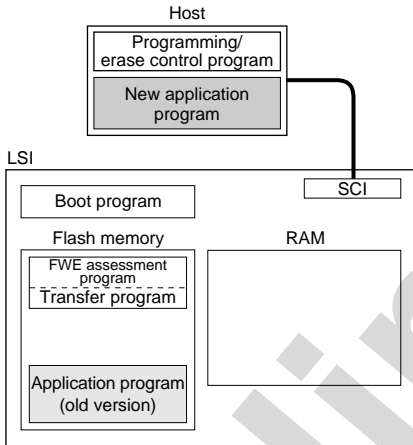


 Program execution state

# User Program Mode

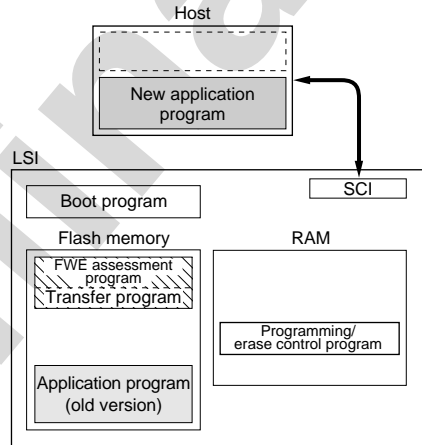
## 1. Initial state

The FWE assessment program that confirms that user program mode has been entered, and the program that will transfer the programming/erase control program from flash memory to on-chip RAM should be written into the flash memory by the user beforehand. The programming/erase control program should be prepared in the host or in the flash memory.



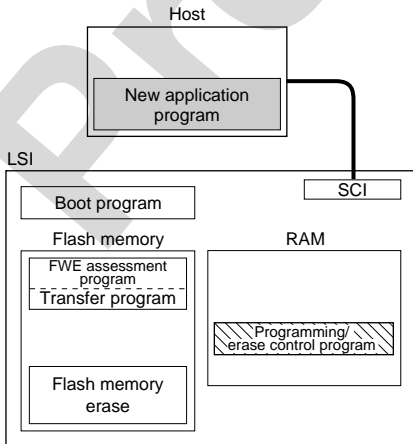
## 2. Programming/erase control program transfer

When user program mode is entered, user software confirms this fact, executes transfer program in the flash memory, and transfers the programming/erase control program to RAM.



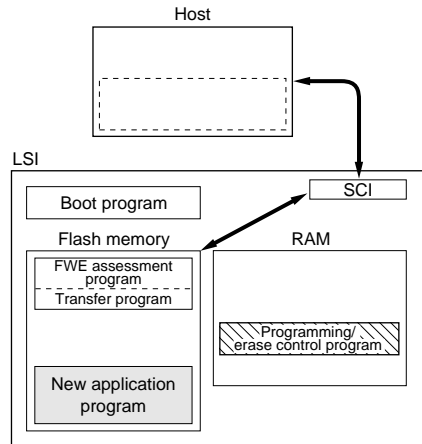
## 3. Flash memory initialization


The programming/erase program in RAM is executed, and the flash memory is initialized (to H'FF). Erasing can be performed in block units, but not in byte units.



## 4. Writing new application program

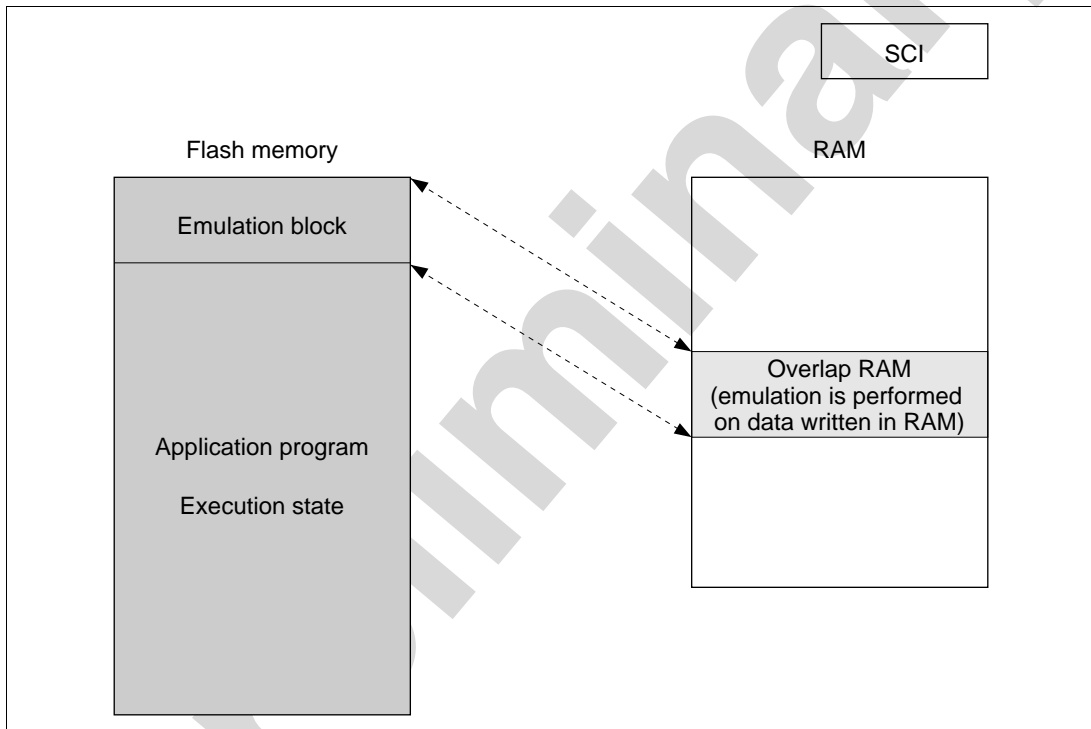
Next, the new application program in the host is written into the erased flash memory blocks. Do not write to unerased blocks.



 Program execution state

## 19.2.4 Flash Memory Emulation in RAM

Emulation should be performed in user mode or user program mode. When the emulation block set in RAMER is accessed while the emulation function is being executed, data written in the overlap RAM is read.

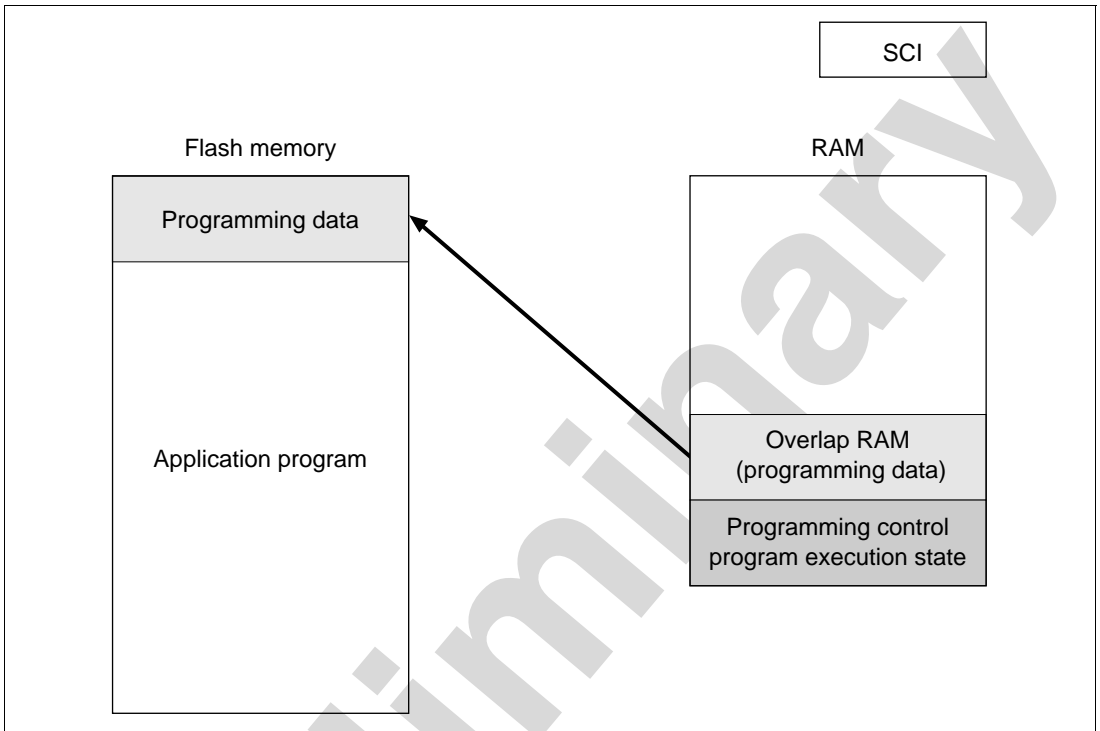


**Figure 19-3 Reading Overlap RAM Data in User Mode or User Program Mode**

When overlap RAM data is confirmed, the RAMS bit is cleared, RAM overlap is released, and writes should actually be performed to the flash memory.

When the programming control program is transferred to RAM, ensure that the transfer destination and the overlap RAM do not overlap, as this will cause data in the overlap RAM to be rewritten.





**Figure 19-4 Writing Overlap RAM Data in User Program Mode**

## 19.2.5 Differences between Boot Mode and User Program Mode

**Table 19-1 Differences between Boot Mode and User Program Mode**

	<b>Boot Mode</b>	<b>User Program Mode</b>
Total erase	Yes	Yes
Block erase	No	Yes
Programming control program*	Program/program-verify	Erase/erase-verify Program/program-verify Emulation

Note: \* To be provided by the user, in accordance with the recommended algorithm.

## 19.2.6 Block Configuration

The flash memory is divided into three 64-kbyte blocks, one 32-kbyte block, and eight 4-kbyte blocks.

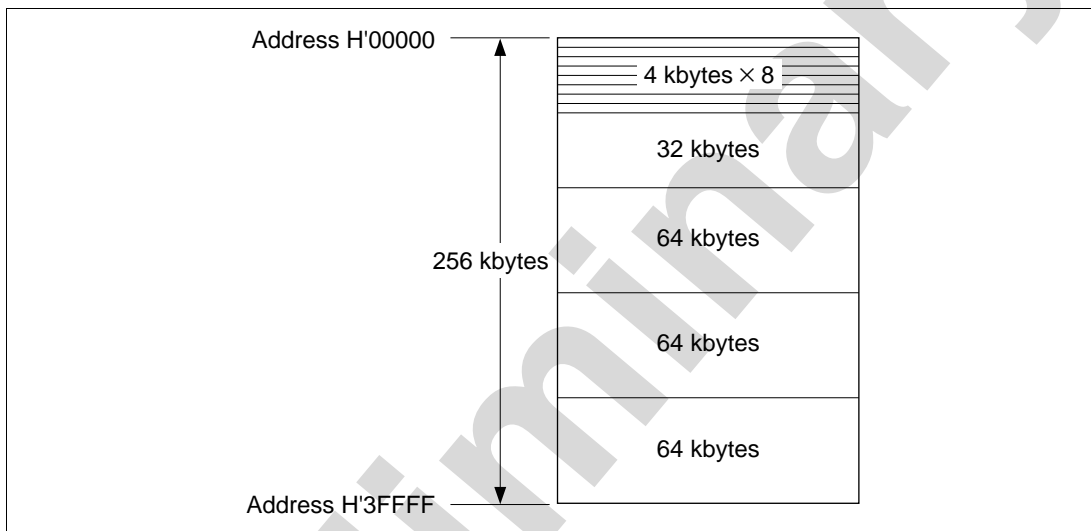


Figure 19-5 Flash Memory Block Configuration

## 19.3 Pin Configuration

The flash memory is controlled by means of the pins shown in table 19-2.

Table 19-2 Pin Configuration

Pin Name	Abbreviation	I/O	Function
Reset	RES	Input	Reset
Flash write enable	FWE	Input	Flash memory program/erase protection by hardware
Mode 2	MD2	Input	Sets MCU operating mode
Mode 1	MD1	Input	Sets MCU operating mode
Mode 0	MD0	Input	Sets MCU operating mode
Port F0	PF0	Input	Sets MCU operating mode in programmer mode
Port 16	P16	Input	Sets MCU operating mode in programmer mode
Port 14	P14	Input	Sets MCU operating mode in programmer mode
Transmit data	TxD2	Output	Serial transmit data output
Receive data	RxD2	Input	Serial receive data input

## 19.4 Register Configuration

The registers used to control the on-chip flash memory when enabled are shown in table 19-3. In order to access these registers, the FLSHE bit in SCRX must be set to 1 (except for RAMER, SCRX).

**Table 19-3 Register Configuration**

Register Name	Abbreviation	R/W	Initial Value	Address* <sup>1</sup>
Flash memory control register 1	FLMCR1* <sup>5</sup>	R/W* <sup>2</sup>	H'00* <sup>3</sup>	H'FFA8
Flash memory control register 2	FLMCR2* <sup>5</sup>	R* <sup>2</sup>	H'00	H'FFA9
Erase block register 1	EBR1* <sup>5</sup>	R/W* <sup>2</sup>	H'00* <sup>4</sup>	H'FFAA
Erase block register 2	EBR2* <sup>5</sup>	R/W* <sup>2</sup>	H'00* <sup>4</sup>	H'FFAB
RAM emulation register	RAMER* <sup>5</sup>	R/W	H'00	H'FEDB
Flash memory power control register* <sup>6</sup>	FLPWCR* <sup>5</sup>	R/W* <sup>2</sup>	H'00* <sup>4</sup>	H'FFAC
Serial control register X	SCRX	R/W	H'00	H'FDB4

Notes: \*<sup>1</sup> Lower 16 bits of the address.

\*<sup>2</sup> To access these registers, set the FLSHE bit to 1 in serial control register X. Even if FLSHE is set to 1, if the chip is in a mode in which the on-chip flash memory is disabled, a read will return H'00 and writes are invalid. Writes are also invalid when the FWE bit in FLMCR1 is not set to 1.

\*<sup>3</sup> When a high level is input to the FWE pin, the initial value is H'80.

\*<sup>4</sup> When a low level is input to the FWE pin, or if a high level is input and the SWE1 bit in FLMCR1 is not set, these registers are initialized to H'00.

\*<sup>5</sup> FLMCR1, FLMCR2, EBR1, EBR2, RAMER, and FLPWCR are 8-bit registers. Use byte access on these registers.

\*<sup>6</sup> An invalid register in the H8S/2623.

## 19.5 Register Descriptions

### 19.5.1 Flash Memory Control Register 1 (FLMCR1)

FLMCR1 is an 8-bit register used for flash memory operating mode control. Program-verify mode or erase-verify mode for addresses H'00000 to H'3FFFF is entered by setting SWE1 bit to 1 when FWE = 1, then setting the PV1 or EV1 bit. Program mode for addresses H'00000 to H'3FFFF is entered by setting SWE1 bit to 1 when FWE = 1, then setting the PSU1 bit, and finally setting the P1 bit. Erase mode for addresses H'00000 to H'3FFFF is entered by setting SWE1 bit to 1 when FWE = 1, then setting the ESU1 bit, and finally setting the E1 bit. FLMCR1 is initialized by a reset, and in hardware standby mode and software standby mode. Its initial value is H'80 when a high level is input to the FWE pin, and H'00 when a low level is input. When on-chip flash memory is disabled, a read will return H'00, and writes are invalid.

Writes are enabled only in the following cases: Writes to bit SWE1 of FLMCR1 enabled when FWE = 1, to bits ESU1, PSU1, EV1, and PV1 when FWE = 1 and SWE1 = 1, to bit E1 when FWE = 1, SWE1 = 1 and ESU1 = 1, and to bit P1 when FWE = 1, SWE1 = 1, and PSU1 = 1.

Bit:	7	6	5	4	3	2	1	0
	FWE	SWE1	ESU1	PSU1	EV1	PV1	E1	P1
Initial value:	—*	0	0	0	0	0	0	0
R/W:	R	R/W	R/W	R/W	R/W	R/W	R/W	R/W

Note: \* Determined by the state of the FWE pin.

**Bit 7—Flash Write Enable Bit (FWE):** Sets hardware protection against flash memory programming/erasing.

**Bit 7: FWE Description**

0	When a low level is input to the FWE pin (hardware-protected state)
1	When a high level is input to the FWE pin

**Bit 6—Software Write Enable Bit 1 (SWE1):** This bit selects write and erase valid/invalid of the flash memory. Set it when setting bits 5 to 0, bits 7 to 0 of EBR1, and bits 3 to 0 of EBR2.

**Bit 6: SWE1 Description**

0	Writes disabled	(Initial value)
1	Writes enabled [Setting condition] When FWE = 1	

**Bit 5—Erase Setup Bit 1 (ESU1):** Prepares for a transition to erase mode. Set this bit to 1 before setting the E1 bit in FLMCR1 to 1. Do not set the SWE1, PSU1, EV1, PV1, E1, or P1 bit at the same time.

**Bit 5: ESU1 Description**

0	Erase setup cleared	(Initial value)
1	Erase setup [Setting condition] When FWE = 1 and SWE1 = 1	

**Bit 4—Program Setup Bit 1 (PSU1):** Prepares for a transition to program mode. Set this bit to 1 before setting the P1 bit in FLMCR1 to 1. Do not set the SWE1, ESU1, EV1, PV1, E1, or P1 bit at the same time.

Bit 4: PSU1	Description
0	Program setup cleared (Initial value)
1	Program setup [Setting condition] When FWE = 1 and SWE1 = 1

**Bit 3—Erase-Verify 1 (EV1):** Selects erase-verify mode transition or clearing. Do not set the SWE1, ESU1, PSU1, PV1, E1, or P1 bit at the same time.

Bit 3: EV1	Description
0	Erase-verify mode cleared (Initial value)
1	Transition to erase-verify mode [Setting condition] When FWE = 1 and SWE1 = 1

**Bit 2—Program-Verify 1 (PV1):** Selects program-verify mode transition or clearing. Do not set the SWE1, ESU1, PSU1, EV1, E1, or P1 bit at the same time.

Bit 2: PV1	Description
0	Program-verify mode cleared (Initial value)
1	Transition to program-verify mode [Setting condition] When FWE = 1 and SWE1 = 1

**Bit 1—Erase 1 (E1):** Selects erase mode transition or clearing. Do not set the SWE1, ESU1, PSU1, EV1, PV1, or P1 bit at the same time.

Bit 1: E1	Description
0	Erase mode cleared (Initial value)
1	Transition to erase mode [Setting condition] When FWE = 1, SWE1 = 1, and ESU1 = 1

**Bit 0—Program 1 (P1):** Selects program mode transition or clearing. Do not set the SWE1, PSU1, ESU1, EV1, PV1, or E1 bit at the same time.

Bit 0: P1	Description
0	Program mode cleared (Initial value)
1	Transition to program mode [Setting condition] When FWE = 1, SWE1 = 1, and PSU1 = 1

### 19.5.2 Flash Memory Control Register 2 (FLMCR2)

FLMCR2 is an 8-bit register used for flash memory operating mode control. FLMCR2 is initialized to H'00 by a reset, and in hardware standby mode and software standby mode. When on-chip flash memory is disabled, a read will return H'00.

Bit:	7	6	5	4	3	2	1	0
	FLER	—	—	—	—	—	—	—
Initial value:	0	0	0	0	0	0	0	0
R/W:	R	—	—	—	—	—	—	—

Note: FLMCR2 is a read-only register, and should not be written to.

**Bit 7—Flash Memory Error (FLER):** Indicates that an error has occurred during an operation on flash memory (programming or erasing). When FLER is set to 1, flash memory goes to the error-protection state.

Bit 7: FLER	Description
0	Flash memory is operating normally (Initial value) Flash memory program/erase protection (error protection) is disabled [Clearing condition] Reset or hardware standby mode
1	An error has occurred during flash memory programming/erasing Flash memory program/erase protection (error protection) is enabled [Setting condition] See section 19.8.3, Error Protection

**Bits 6 to 0—Reserved:** These bits always read 0.

### 19.5.3 Erase Block Register 1 (EBR1)

EBR1 is an 8-bit register that specifies the flash memory erase area block by block. EBR1 is initialized to H'00 by a reset, in hardware standby mode and software standby mode, when a low level is input to the FWE pin, and when a high level is input to the FWE pin and the SWE1 bit in FLMCR1 is not set. When a bit in EBR1 is set to 1, the corresponding block can be erased. Other blocks are erase-protected. Only one of the bits of EBR1 and EBR2 combined can be set. Do not set more than one bit, as this will cause all the bits in both EBR1 and EBR2 to be automatically cleared to 0. When on-chip flash memory is disabled, a read will return H'00, and writes are invalid.

The flash memory block configuration is shown in table 19-4.

Bit:	7	6	5	4	3	2	1	0
	EB7	EB6	EB5	EB4	EB3	EB2	EB1	EB0
Initial value:	0	0	0	0	0	0	0	0
R/W:	R/W	R/W	R/W	R/W	R/W	R/W	R/W	R/W

### 19.5.4 Erase Block Register 2 (EBR2)

EBR2 is an 8-bit register that specifies the flash memory erase area block by block. EBR2 is initialized to H'00 by a reset, in hardware standby mode and software standby mode, when a low level is input to the FWE pin. Bit 0 will be initialized to 0 if bit SWE1 of FLMCR1 is not set, even though a high level is input to pin FWE. When a bit in EBR2 is set to 1, the corresponding block can be erased. Other blocks are erase-protected. Only one of the bits of EBR1 and EBR2 combined can be set. Do not set more than one bit, as this will cause all the bits in both EBR1 and EBR2 to be automatically cleared to 0. Bits 7 to 4 are reserved and must only be written with 0. When on-chip flash memory is disabled, a read will return H'00, and writes are invalid.

The flash memory block configuration is shown in table 19-4.

Bit:	7	6	5	4	3	2	1	0
	—	—	—	—	EB11	EB10	EB9	EB8
Initial value:	0	0	0	0	0	0	0	0
R/W:	R/W	R/W	R/W	R/W	R/W	R/W	R/W	R/W

**Table 19-4 Flash Memory Erase Blocks**

Block (Size)	Addresses
EB0 (4 kbytes)	H'000000–H'000FFF
EB1 (4 kbytes)	H'001000–H'001FFF
EB2 (4 kbytes)	H'002000–H'002FFF
EB3 (4 kbytes)	H'003000–H'003FFF
EB4 (4 kbytes)	H'004000–H'004FFF
EB5 (4 kbytes)	H'005000–H'005FFF
EB6 (4 kbytes)	H'006000–H'006FFF
EB7 (4 kbytes)	H'007000–H'007FFF
EB8 (32 kbytes)	H'008000–H'00FFFF
EB9 (64 kbytes)	H'010000–H'01FFFF
EB10 (64 kbytes)	H'020000–H'02FFFF
EB11 (64 kbytes)	H'030000–H'03FFFF

### 19.5.5 RAM Emulation Register (RAMER)

RAMER specifies the area of flash memory to be overlapped with part of RAM when emulating real-time flash memory programming. RAMER initialized to H'00 by a reset and in hardware standby mode. It is not initialized in software standby mode. RAMER settings should be made in user mode or user program mode.

Flash memory area divisions are shown in table 19-5. To ensure correct operation of the emulation function, the ROM for which RAM emulation is performed should not be accessed immediately after this register has been modified. Normal execution of an access immediately after register modification is not guaranteed.

Bit:	7	6	5	4	3	2	1	0
	—	—	—	—	RAMS	RAM2	RAM1	RAM0
Initial value:	0	0	0	0	0	0	0	0
R/W:	R	R	R/W	R/W	R/W	R/W	R/W	R/W

**Bits 7 and 6—Reserved:** These bits always read 0.

**Bits 5 and 4—Reserved:** Only 0 may be written to these bits.



**Bit 3—RAM Select (RAMS):** Specifies selection or non-selection of flash memory emulation in RAM. When RAMS = 1, all flash memory block are program/erase-protected.

Bit 3: RAMS	Description
0	Emulation not selected Program/erase-protection of all flash memory blocks is disabled
1	Emulation selected Program/erase-protection of all flash memory blocks is enabled

**Bits 2 to 0—Flash Memory Area Selection:** These bits are used together with bit 3 to select the flash memory area to be overlapped with RAM. (See table 19-5.)

**Table 19-5 Flash Memory Area Divisions**

Addresses	Block Name	RAMS	RAM2	RAM1	RAM0
H'FFD000–H'FFDFFF	RAM area 4 kbytes	0	*	*	*
H'000000–H'000FFF	EB0 (4 kbytes)	1	0	0	0
H'001000–H'001FFF	EB1 (4 kbytes)	1	0	0	1
H'002000–H'002FFF	EB2 (4 kbytes)	1	0	1	0
H'003000–H'003FFF	EB3 (4 kbytes)	1	0	1	1
H'004000–H'004FFF	EB4 (4 kbytes)	1	1	0	0
H'005000–H'005FFF	EB5 (4 kbytes)	1	1	0	1
H'006000–H'006FFF	EB6 (4 kbytes)	1	1	1	0
H'007000–H'007FFF	EB7 (4 kbytes)	1	1	1	1

\*: Don't care

### 19.5.6 Flash Memory Power Control Register (FLPWCR)\*

Bit:	7	6	5	4	3	2	1	0
	PDWND	—	—	—	—	—	—	—
Initial value:	0	0	0	0	0	0	0	0
R/W:	R/W	R	R	R	R	R	R	R

FLPWCR enables or disables a transition to the flash memory power-down mode when the LSI switches to subactive mode.

Note: \* An invalid register in the H8S/2623.

**Bit 7—Power-Down Disable (PDWND):** Enables or disables a transition to the flash memory power-down mode when the LSI switches to subactive mode.

**Bit 7: PDWND Description**

0	Transition to flash memory power-down mode enabled	(Initial value)
1	Transition to flash memory power-down mode disabled	

**Bits 6 to 0—Reserved:** These bits always read 0.

**19.5.7 Serial Control Register X (SCRX)**

Bit	7	6	5	4	3	2	1	0
	—	—	—	—	FLSHE	—	—	—
Initial value	0	0	0	0	0	0	0	0
R/W	R/W	R/W	R/W	R/W	R/W	R/W	R/W	R/W

SCRX is an 8-bit readable/writable register that controls on-chip flash memory.

SCRX is initialized to H'00 by a reset and in hardware standby mode.

**Bits 7 to 4—Reserved:** Only 0 may be written to these bits.

**Bit 3—Flash Memory Control Register Enable (FLSHE):** Controls CPU access to the flash memory control registers (FLMCR1, FLMCR2, EBR1, and EBR2). Setting the FLSHE bit to 1 enables read/write access to the flash memory control registers. If FLSHE is cleared to 0, the flash memory control registers are deselected. In this case, the flash memory control register contents are retained.

**Bit 3: FLSHE Description**

0	Flash control registers deselected in area H'FFFFA8 to H'FFFFAC	(Initial value)
1	Flash control registers selected in area H'FFFFA8 to H'FFFFAC	

**Bits 2 to 0—Reserved:** Only 0 may be written to these bits.

## 19.6 On-Board Programming Modes

When pins are set to on-board programming mode and a reset-start is executed, a transition is made to the on-board programming state in which program/erase/verify operations can be performed on the on-chip flash memory. There are two on-board programming modes: boot mode and user program mode. The pin settings for transition to each of these modes are shown in table 19-6. For a diagram of the transitions to the various flash memory modes, see figure 19-2.

**Table 19-6 Setting On-Board Programming Modes**

Mode		FWE	MD2	MD1	MD0
Boot mode	Expanded mode	1	0	1	0
	Single-chip mode		0	1	1
User program mode	Expanded mode	1	1	1	0
	Single-chip mode		1	1	1

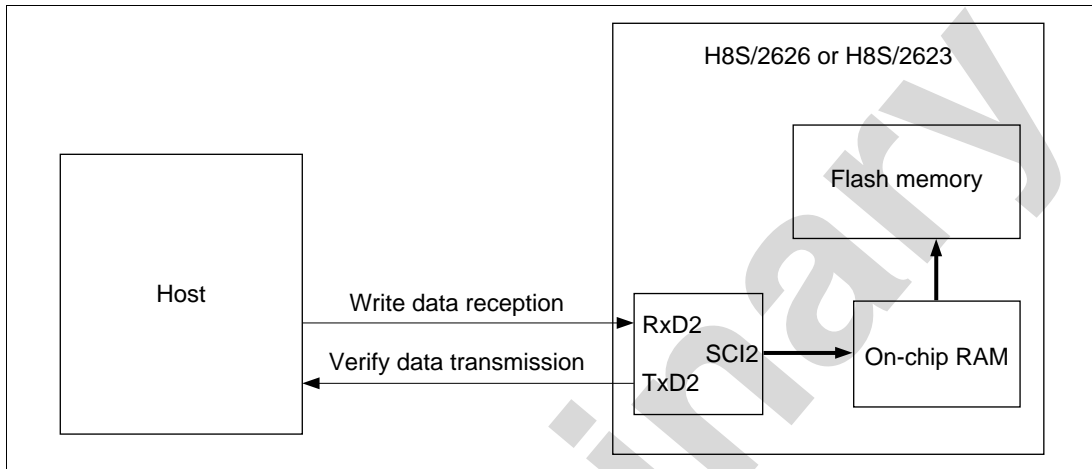
### 19.6.1 Boot Mode

When boot mode is used, the flash memory programming control program must be prepared in the host beforehand. The SCI channel to be used is set to asynchronous mode.

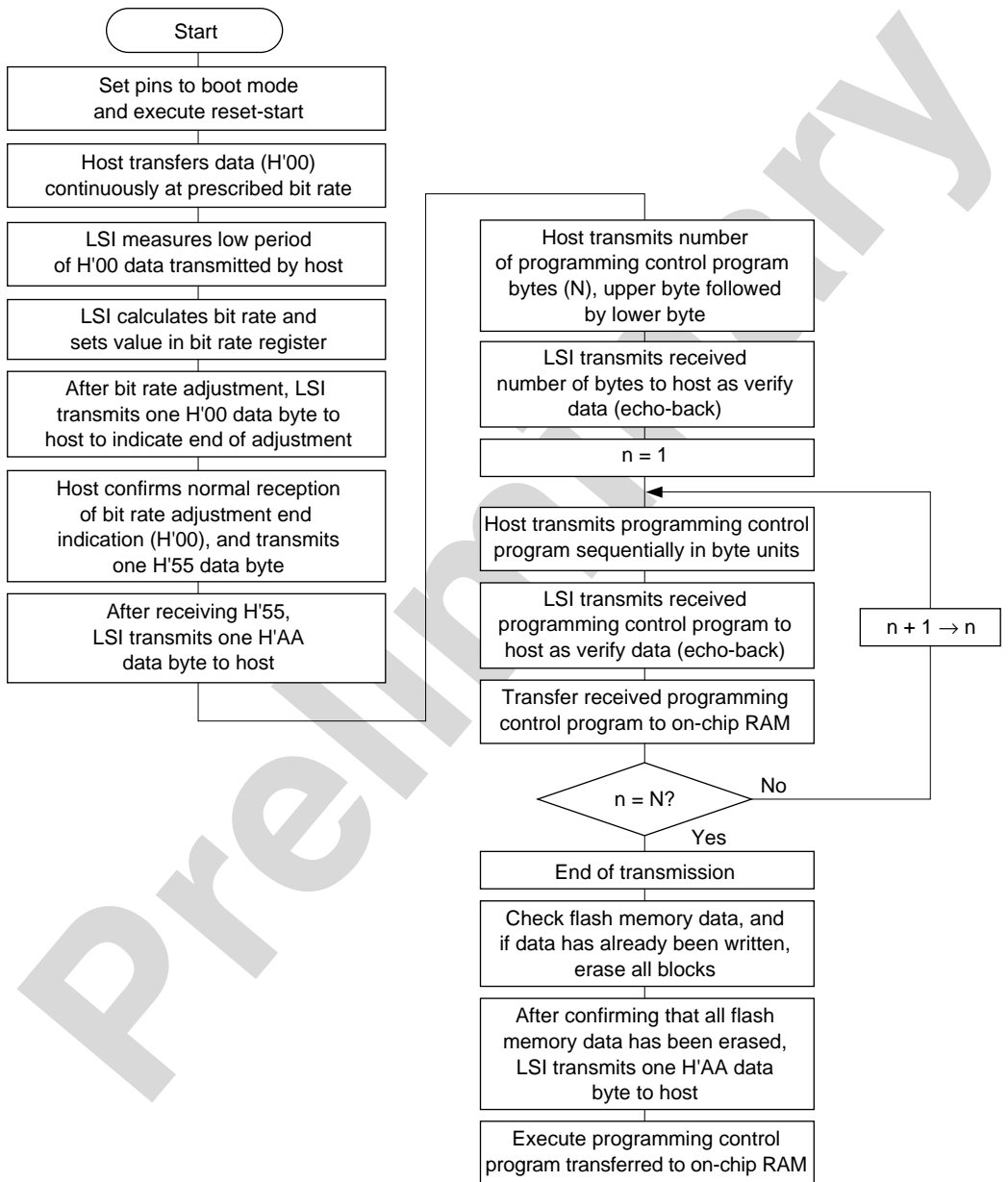
When a reset-start is executed after the H8S/2626 or H8S/2623 pins have been set to boot mode, the boot program built into the LSI is started and the programming control program prepared in the host is serially transmitted to the LSI via the SCI. In the H8S/2626 and H8S/2623, the programming control program received via the SCI is written into the programming control program area in on-chip RAM. After the transfer is completed, control branches to the start address of the programming control program area and the programming control program execution state is entered (flash memory programming is performed).

The transferred programming control program must therefore include coding that follows the programming algorithm given later.

The system configuration in boot mode is shown in figure 19-6, and the boot mode execution procedure in figure 19-7.



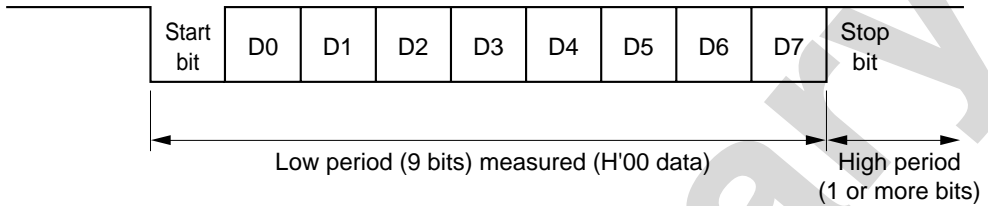
**Figure 19-6 System Configuration in Boot Mode**



Note: If a memory cell does not operate normally and cannot be erased, one H'FF byte is transmitted as an erase error, and the erase operation and subsequent operations are halted.

Figure 19-7 Boot Mode Execution Procedure

## Automatic SCI Bit Rate Adjustment



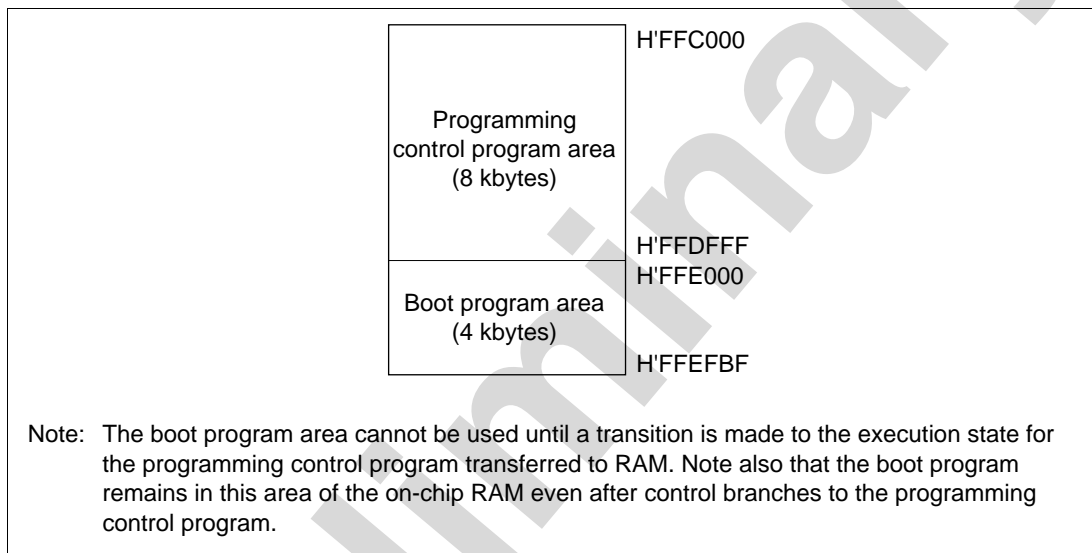
When boot mode is initiated, the LSI measures the low period of the asynchronous SCI communication data (H'00) transmitted continuously from the host. The SCI transmit/receive format should be set as follows: 8-bit data, 1 stop bit, no parity. The LSI calculates the bit rate of the transmission from the host from the measured low period, and transmits one H'00 byte to the host to indicate the end of bit rate adjustment. The host should confirm that this adjustment end indication (H'00) has been received normally, and transmit one H'55 byte to the LSI. If reception cannot be performed normally, initiate boot mode again (reset), and repeat the above operations. Depending on the host's transmission bit rate and the LSI's system clock frequency, there will be a discrepancy between the bit rates of the host and the LSI. Set the host transfer bit rate at 2,400, 4,800, 9,600 or 19,200 bps to operate the SCI properly.

Table 19-7 shows host transfer bit rates and system clock frequencies for which automatic adjustment of the LSI bit rate is possible. The boot program should be executed within this system clock range.

**Table 19-7 System Clock Frequencies for which Automatic Adjustment of LSI Bit Rate is Possible**

<b>Host Bit Rate</b>	<b>System Clock Frequency for Which Automatic Adjustment of LSI Bit Rate is Possible</b>
2,400 bps	2 to 8 MHz
4,800 bps	4 to 16 MHz
9,600 bps	8 to 20 MHz
19,200 bps	16 to 20 MHz

**On-Chip RAM Area Divisions in Boot Mode:** In boot mode, the RAM area is divided into an area used by the boot program and an area to which the programming control program is transferred via the SCI, as shown in figure 19-8. The boot program area cannot be used until the execution state in boot mode switches to the programming control program transferred from the host.



**Figure 19-8 RAM Areas in Boot Mode**

**Notes on Use of Boot Mode:**

- When the chip comes out of reset in boot mode, it measures the low-level period of the input at the SCI's RxD2 pin. The reset should end with RxD2 high. After the reset ends, it takes approximately 100 states before the chip is ready to measure the low-level period of the RxD2 pin.
- In boot mode, if any data has been programmed into the flash memory (if all data is not 1), all flash memory blocks are erased. Boot mode is for use when user program mode is unavailable, such as the first time on-board programming is performed, or if the program activated in user program mode is accidentally erased.
- Interrupts cannot be used while the flash memory is being programmed or erased.
- The RxD2 and TxD2 pins should be pulled up on the board.
- Before branching to the programming control program (RAM area H'FFC000), the chip terminates transmit and receive operations by the on-chip SCI (channel 2) (by clearing the RE and TE bits in SCR to 0), but the adjusted bit rate value remains set in BRR. The transmit data output pin, TxD2, goes to the high-level output state (PA1DDR = 1, PA1DR = 1).

The contents of the CPU's internal general registers are undefined at this time, so these registers must be initialized immediately after branching to the programming control program. In particular, since the stack pointer (SP) is used implicitly in subroutine calls, etc., a stack area must be specified for use by the programming control program.

The initial values of other on-chip registers are not changed.

- Boot mode can be entered by making the pin settings shown in table 19-6 and executing a reset-start.

Boot mode can be cleared by driving the reset pin low, waiting at least 20 states, then setting the FWE pin and mode pins, and executing reset release\*<sup>1</sup>. Boot mode can also be cleared by a WDT overflow reset.

Do not change the mode pin input levels in boot mode, and do not drive the FWE pin low while the boot program is being executed or while flash memory is being programmed or erased\*<sup>2</sup>.

- If the mode pin input levels are changed (for example, from low to high) during a reset, the state of ports with multiplexed address functions and bus control output pins ( $\overline{AS}$ ,  $\overline{RD}$ ,  $\overline{HWR}$ ) will change according to the change in the microcomputer's operating mode\*<sup>3</sup>.

Therefore, care must be taken to make pin settings to prevent these pins from becoming output signal pins during a reset, or to prevent collision with signals outside the microcomputer.

Notes: \*<sup>1</sup> Mode pin and FWE pin input must satisfy the mode programming setup time ( $t_{MDS} = 4$  states) with respect to the reset release timing.

\*<sup>2</sup> For further information on FWE application and disconnection, see section 19.13, Flash Memory Programming and Erasing Precautions.

\*<sup>3</sup> See Appendix D, Pin States.

## 19.6.2 User Program Mode

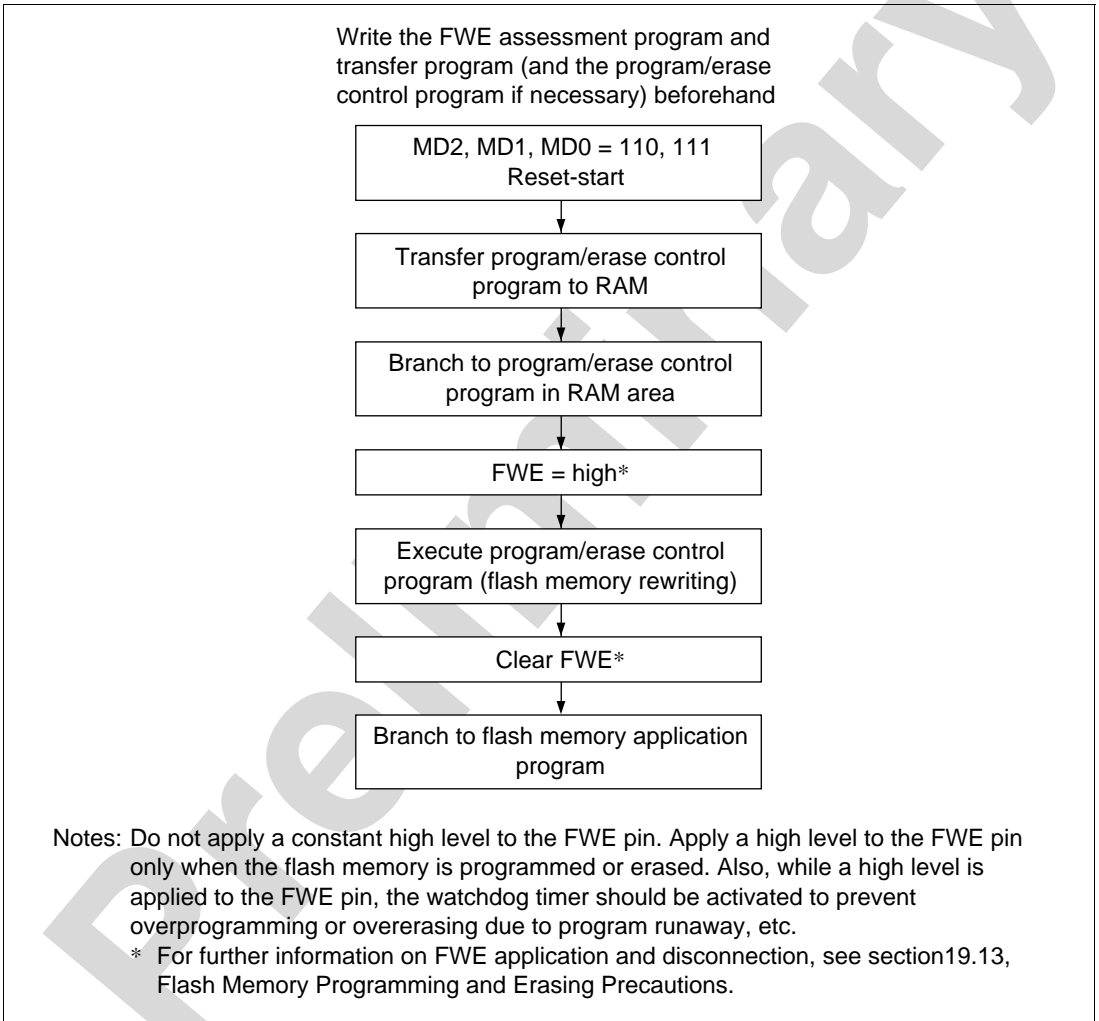
When set to user program mode, the chip can program and erase its flash memory by executing a user program/erase control program. Therefore, on-board reprogramming of the on-chip flash memory can be carried out by providing on-board means of FWE control and supply of programming data, and storing a program/erase control program in part of the program area as necessary.

To select user program mode, select a mode that enables the on-chip flash memory (mode 6 or 7), and apply a high level to the FWE pin. In this mode, on-chip supporting modules other than flash memory operate as they normally would in modes 6 and 7.

The flash memory itself cannot be read while the SWE1 bit is set to 1 to perform programming or erasing, so the control program that performs programming and erasing should be run in on-chip RAM or external memory. If the program is to be located in external memory, the instruction for writing to flash memory, and the following instruction, should be placed in on-chip RAM.



Figure 19-9 shows the procedure for executing the program/erase control program when transferred to on-chip RAM.



**Figure 19-9 User Program Mode Execution Procedure**

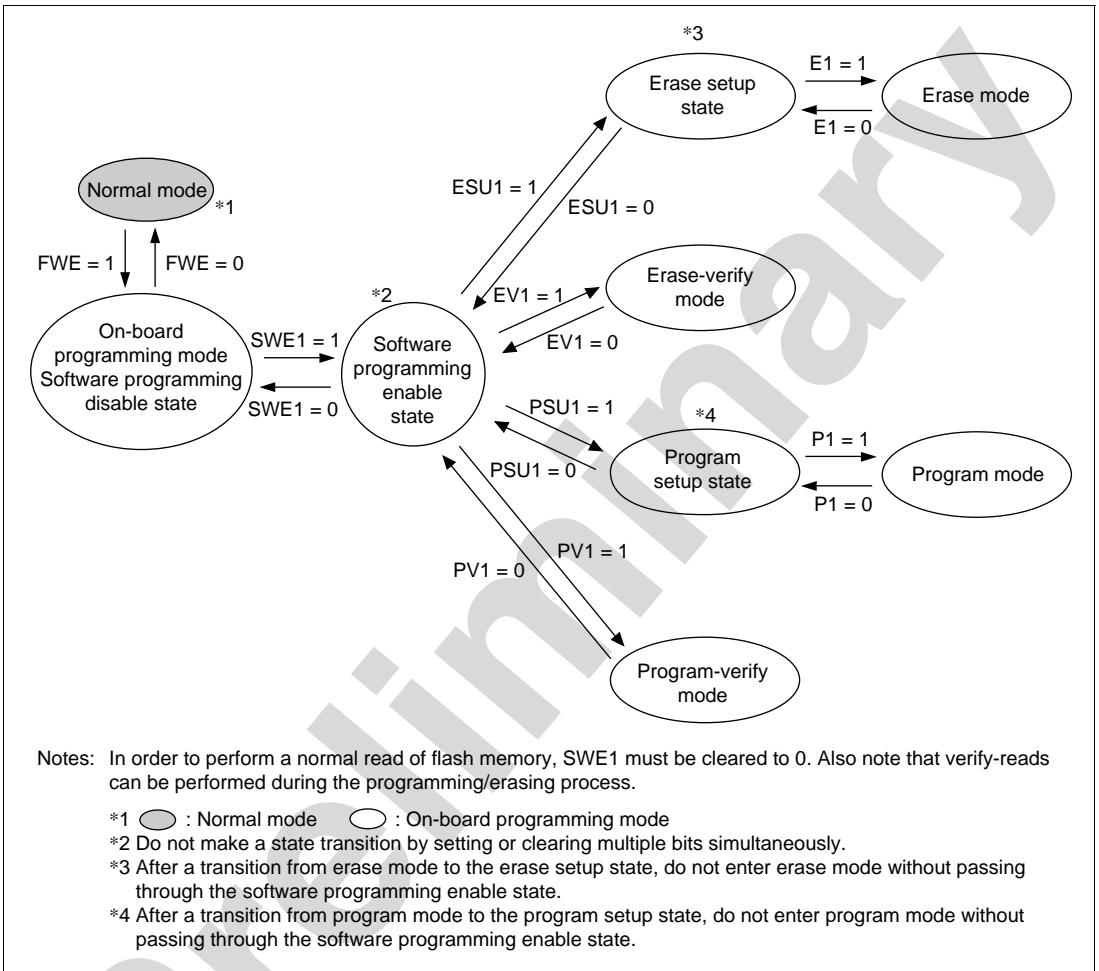
## 19.7 Flash Memory Programming/Erasing

A software method, using the CPU, is employed to program and erase flash memory in the on-board programming modes. There are four flash memory operating modes: program mode, erase mode, program-verify mode, and erase-verify mode. Transitions to these modes for addresses H'000000 to H'03FFFF are made by setting the PSU1, ESU1, P1, E1, PV1, and EV1 bits in FLMCR1.

The flash memory cannot be read while being programmed or erased. Therefore, the program (user program) that controls flash memory programming/erasing should be located and executed in on-chip RAM or external memory. If the program is to be located in external memory, the instruction for writing to flash memory, and the following instruction, should be placed in on-chip RAM. Also ensure that the DTC is not activated before or after execution of the flash memory write instruction.

In the following operation descriptions, wait times after setting or clearing individual bits in FLMCR1 are given as parameters; for details of the wait times, see section 22.6, Flash Memory Characteristics.

- Notes:
1. Operation is not guaranteed if setting/resetting of the SWE1, ESU1, PSU1, EV1, PV1, E1, and P1 bits in FLMCR1 is executed by a program in flash memory.
  2. When programming or erasing, set FWE to 1 (programming/erasing will not be executed if FWE = 0).
  3. Programming must be executed in the erased state. Do not perform additional programming on addresses that have already been programmed.



**Figure 19-10 FLMCR1 Bit Settings and State Transitions**

## 19.7.1 Program Mode

When writing data or programs to flash memory, the program/program-verify flowchart shown in figure 19-11 should be followed. Performing programming operations according to this flowchart will enable data or programs to be written to flash memory without subjecting the device to voltage stress or sacrificing program data reliability. Programming should be carried out 128 bytes at a time.

The wait times after bits are set or cleared in the flash memory control register 1 (FLMCR1) and the maximum number of programming operations (N) are shown in table 22-9 in section 22.6, Flash Memory Characteristics.

Following the elapse of ( $\times 0$ )  $\mu\text{s}$  or more after the SWE1 bit is set to 1 in FLMCR1, 128-byte program data is stored in the program data area and reprogram data area, and the 128-byte data in the program data area in RAM is written consecutively to the program address (the lower 8 bits of the first address written to must be H'00 or H'80). 128 consecutive byte data transfers are performed. The program address and program data are latched in the flash memory. A 128-byte data transfer must be performed even if writing fewer than 128 bytes; in this case, H'FF data must be written to the extra addresses.

Next, the watchdog timer is set to prevent overprogramming in the event of program runaway, etc. Set 6.6 ms as the WDT overflow period. After this, preparation for program mode (program setup) is carried out by setting the PSU1 bit in FLMCR1, and after the elapse of ( $y$ )  $\mu\text{s}$  or more, the operating mode is switched to program mode by setting the P1 bit in FLMCR1. The time during which the P1 bit is set is the flash memory programming time. Refer to the table in figure 19-11 for the programming time.

## 19.7.2 Program-Verify Mode

In program-verify mode, the data written in program mode is read to check whether it has been correctly written in the flash memory.

After the elapse of the given programming time, clear the P1 bit in FLMCR1, then wait for at least ( $\alpha$ )  $\mu$ s before clearing the PSU1 bit to exit program mode. After the elapse of at least ( $\beta$ )  $\mu$ s, the watchdog timer is cleared and the operating mode is switched to program-verify mode by setting the PV1 bit in FLMCR1. Before reading in program-verify mode, a dummy write of H'FF data should be made to the addresses to be read. The dummy write should be executed after the elapse of ( $\gamma$ )  $\mu$ s or more. When the flash memory is read in this state (verify data is read in 16-bit units), the data at the latched address is read. Wait at least ( $\epsilon$ )  $\mu$ s after the dummy write before performing this read operation. Next, the originally written data is compared with the verify data, and reprogram data is computed (see figure 19-11) and transferred to RAM. After verification of 128 bytes of data has been completed, exit program-verify mode, wait for at least ( $\eta$ )  $\mu$ s, then clear the SWE1 bit in FLMCR1. If reprogramming is necessary, set program mode again, and repeat the program/program-verify sequence as before. The maximum number of repetitions of the program/program-verify sequence is indicated by the maximum programming count (N). However, ensure that the program/program-verify sequence is not repeated more than (N) times on the same bits.

### Notes on Program/Program-Verify Procedure

1. In order to perform 128-byte-unit programming, the lower 8 bits of the write start address must be H'00 or H'80.
2. When performing continuous writing of 128-byte data to flash memory, byte-unit transfer should be used.  
128-byte data transfer is necessary even when writing fewer than 128 bytes of data. Write H'FF data to the extra addresses.
3. Verify data is read in word units.
4. The write pulse is applied and a flash memory write executed while the P1 bit in FLMCR1 is set. In the H8S/2626 and H8S/2623, write pulses should be applied as follows in the program/program-verify procedure to prevent voltage stress on the device and loss of write data reliability.
  - a. After write pulse application, perform a verify-read in program-verify mode and apply a write pulse again for any bits read as 1 (reprogramming processing). When all the 0-write bits in the 128-byte write data are read as 0 in the verify-read operation, the program/program-verify procedure is completed. In the H8S/2626 and H8S/2623, the number of loops in reprogramming processing is guaranteed not to exceed the maximum value of the maximum programming count (N).

- b. After write pulse application, a verify-read is performed in program-verify mode, and programming is judged to have been completed for bits read as 0.
  - c. If programming of other bits is incomplete in the 128 bytes, reprogramming processing should be executed. If a bit for which programming has been judged to be completed is read as 1 in a subsequent verify-read, a write pulse should again be applied to that bit.
5. The period for which the P1 bit in FLMCR1 is set (the write pulse width) should be changed according to the degree of progress through the program/program-verify procedure. For detailed wait time specifications, see section 22.6, Flash Memory Characteristics.
6. The program/program-verify flowchart for the H8S/2626 and H8S/2623 is shown in figure 19-11.

To cover the points noted above, bits on which reprogramming processing is to be executed, and bits on which additional programming is to be executed, must be determined as shown below.

Since reprogram data and additional-programming data vary according to the progress of the programming procedure, it is recommended that the following data storage areas (128 bytes each) be provided in RAM.

Reprogram Data Computation Table

(D)	Result of Verify-Read after Write Pulse Application (V)	(X) Result of Operation	Comments
0	0	1	Programming completed: reprogramming processing not to be executed
	1	0	Programming incomplete: reprogramming processing to be executed
1	0	1	—
	1	1	Still in erased state: no action

Legend

(D): Source data of bits on which programming is executed

(X): Source data of bits on which reprogramming is executed

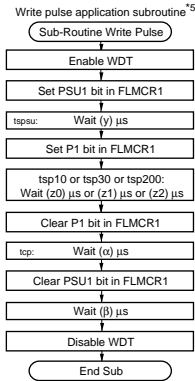
(X')	Result of Verify-Read after Write Pulse Application (V)	(Y) Result of Operation	Comments
0	0	0	Programming by write pulse application judged to be completed: additional programming processing to be executed
	1	1	Programming by write pulse application incomplete: additional programming processing not to be executed
1	0		Programming already completed: additional programming processing not to be executed
	1		Still in erased state: no action

## Legend

(Y): Data of bits on which additional programming is executed

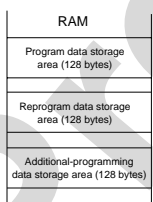
(X'): Data of bits on which reprogramming is executed in a certain reprogramming loop

- It is necessary to execute additional programming processing during the course of the H8S/2626 or H8S/2623 program/program-verify procedure. However, once 128-byte-unit programming is finished, additional programming should not be carried out on the same address area. When executing reprogramming, an erase must be executed first. Note that normal operation of reads, etc., is not guaranteed if additional programming is performed on addresses for which a program/program-verify operation has finished.



Note #6: Programming Time

Number of Writes	P1 Bit Set Time (μs)	
	Programming	Additional Programming
1	z0	z1
2	z0	z1
.	.	.
.	.	.
N1-1	z0	z1
N1	z0	z1
N1+1	z2	—
N1+2	z2	—
N1+3	z2	—
.	.	.
.	.	.
N1+N2-2	z2	—
N1+N2-1	z2	—
N1+N2	z2	—



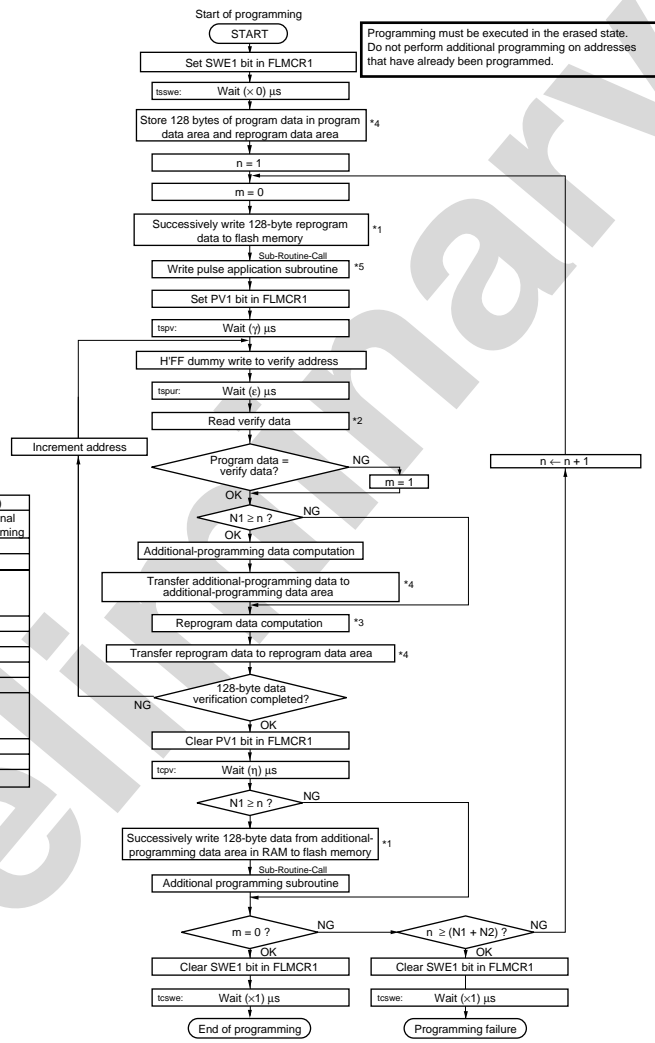
- Notes:
- \*1 Data transfer is performed by byte transfer. The lower 8 bits of the first address written to must be H00 or H80. A 128-byte data transfer must be performed even if writing fewer than 128 bytes; in this case, HFF data must be written to the extra addresses.
  - \*2 Verify data is read in 16-bit (word) units.
  - \*3 Even bits for which programming has been completed in the 128-byte programming loop will be subject to programming again if they fail the subsequent verify operation.
  - \*4 A 128-byte area for storing program data, a 128-byte area for storing reprogram data, and a 128-byte area for storing additional-programming data must be provided in RAM. The reprogram and additional-programming data contents are modified as programming proceeds.
  - \*5 A write pulse of 30 μs or 200 μs is applied according to the progress of the programming operation. See Note #6 for details of the pulse widths. When writing of additional-programming data is executed, a 10 μs write pulse should be applied. Reprogram data 'X' means reprogram data when the write pulse is applied.

Reprogram Data Computation Table

Original Data (D)	Verify Data (V)	Reprogram Data (X)	Comments
0	0	1	Programming complete
0	1	0	Programming is incomplete: reprogramming should be performed
1	0	1	
1	1	1	Left in the erased state

Additional-Programming Data Computation Table

Reprogram Data (X)	Verify Data (V)	Additional-Programming Data (X)	Comments
0	0	0	Additional programming should be performed
0	1	1	Additional programming should not be performed
1	0	1	Additional programming should not be performed
1	1	1	Additional programming should not be performed



Programming must be executed in the erased state. Do not perform additional programming on addresses that have already been programmed.

Figure 19-11 Program/Program-Verify Flowchart



### 19.7.3 Erase Mode

When erasing flash memory, the single-block erase/erase-verify flowchart shown in figure 19-12 should be followed.

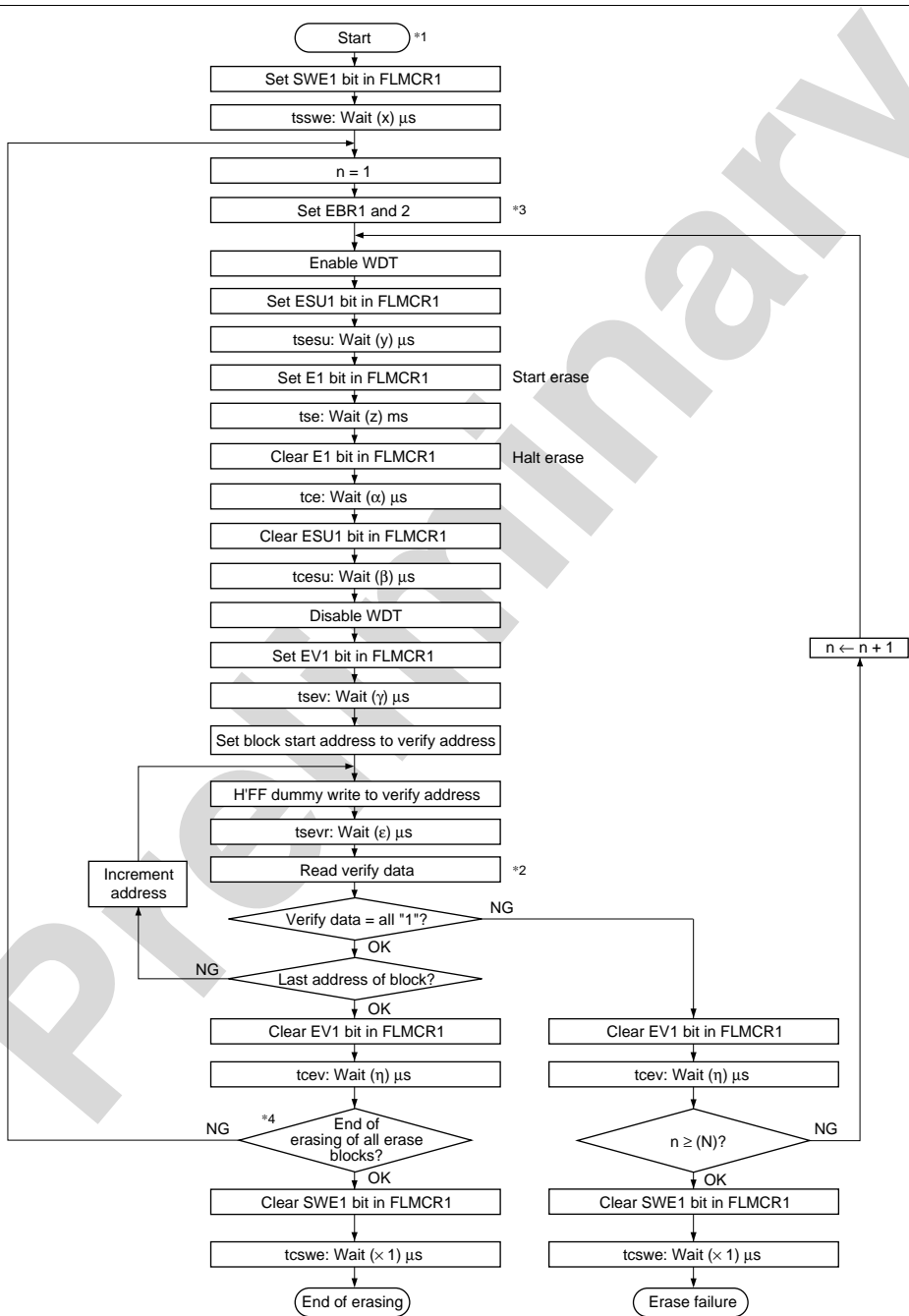
To erase flash memory contents, make a 1-bit setting for the flash memory area to be erased in erase block register 1 and 2 (EBR1, EBR2) at least ( $x$ )  $\mu$ s after setting the SWE1 bit to 1 in FLMCR1. Next, the watchdog timer (WDT) is set to prevent overerasing due to program runaway, etc. Set 6.6 ms as the WDT overflow period. Preparation for entering erase mode (erase setup) is performed next by setting the ESU1 bit in FLMCR1. The operating mode is then switched to erase mode by setting the E1 bit in FLMCR1 after the elapse of at least ( $y$ )  $\mu$ s. The time during which the E1 bit is set is the flash memory erase time. Ensure that the erase time does not exceed ( $z$ ) ms.

Note: With flash memory erasing, preprogramming (setting all memory data in the memory to be erased to all 0) is not necessary before starting the erase procedure.

### 19.7.4 Erase-Verify Mode

In erase-verify mode, data is read after memory has been erased to check whether it has been correctly erased.

After the elapse of the fixed erase time, clear the E1 bit in FLMCR1, then wait for at least ( $\alpha$ )  $\mu$ s before clearing the ESU1 bit to exit erase mode. After exiting erase mode, the watchdog timer is cleared after the elapse of ( $\beta$ )  $\mu$ s or more. The operating mode is then switched to erase-verify mode by setting the EV1 bit in FLMCR1. Before reading in erase-verify mode, a dummy write of H'FF data should be made to the addresses to be read. The dummy write should be executed after the elapse of ( $\gamma$ )  $\mu$ s or more. When the flash memory is read in this state (verify data is read in 16-bit units), the data at the latched address is read. Wait at least ( $\epsilon$ )  $\mu$ s after the dummy write before performing this read operation. If the read data has been erased (all 1), a dummy write is performed to the next address, and erase-verify is performed. If the read data is unerased, set erase mode again and repeat the erase/erase-verify sequence in the same way. The maximum number of reoperations of the erase/erase-verify sequence is indicated by the maximum erase count (N). However, ensure that the erase/erase-verify sequence is not repeated more than (N) times. When verification is completed, exit erase-verify mode, and wait for at least ( $\eta$ )  $\mu$ s. If erasure has been completed on all the erase blocks, clear the SWE1 bit in FLMCR1. If there are any unerased blocks, make a 1 bit setting for the flash memory area to be erased, and repeat the erase/erase-verify sequence as before.



Notes: \*1 Preprogramming (setting erase block data to all "0") is not necessary.  
 \*2 Verify data is read in 16-bit (W) units.  
 \*3 Set only one bit in EBR1 and 2. More than 2 bits cannot be set.  
 \*4 Erasing is performed in block units. To erase a number of blocks, each block must be erased in turn.

Figure 19-12 Erase/Erase-Verify Flowchart

## 19.8 Protection

There are three kinds of flash memory program/erase protection: hardware protection, software protection, and error protection.

### 19.8.1 Hardware Protection

Hardware protection refers to a state in which programming/erasing of flash memory is forcibly disabled or aborted. Hardware protection is reset by settings in flash memory control register 1 (FLMCR1), flash memory control register 2 (FLMCR2), erase block register 1 (EBR1), and erase block register 2 (EBR2). The FLMCR1, FLMCR2, EBR1, and EBR2 settings are retained in the error-protected state. (See table 19-8.)

**Table 19-8 Hardware Protection**

Item	Description	Functions	
		Program	Erase
FWE pin protection	<ul style="list-style-type: none"><li>When a low level is input to the FWE pin, FLMCR1, FLMCR2, (except bit FLER) EBR1, and EBR2 are initialized, and the program/erase-protected state is entered.</li></ul>	Yes	Yes
Reset/standby protection	<ul style="list-style-type: none"><li>In a reset (including a WDT reset) and in standby mode, FLMCR1, FLMCR2, EBR1, and EBR2 are initialized, and the program/erase-protected state is entered.</li><li>In a reset via the <math>\overline{\text{RES}}</math> pin, the reset state is not entered unless the <math>\overline{\text{RES}}</math> pin is held low until oscillation stabilizes after powering on. In the case of a reset during operation, hold the <math>\overline{\text{RES}}</math> pin low for the <math>\overline{\text{RES}}</math> pulse width specified in the AC Characteristics section.</li></ul>	Yes	Yes

## 19.8.2 Software Protection

Software protection can be implemented by setting the SWE1 bit in FLMCR1, erase block register 1 (EBR1), erase block register 2 (EBR2), and the RAMS bit in the RAM emulation register (RAMER). When software protection is in effect, setting the P1 or E1 bit in flash memory control register 1 (FLMCR1), does not cause a transition to program mode or erase mode. (See table 19-9.)

**Table 19-9 Software Protection**

Item	Description	Functions	
		Program	Erase
SWE bit protection	<ul style="list-style-type: none"><li>Setting bit SWE1 in FLMCR1 to 0 will place area H'000000 to H'03FFFFFF in the program/erase-protected state. (Execute the program in the on-chip RAM, external memory)</li></ul>	Yes	Yes
Block specification protection	<ul style="list-style-type: none"><li>Erase protection can be set for individual blocks by settings in erase block register 1 (EBR1) and erase block register 2 (EBR2).</li><li>Setting EBR1 and EBR2 to H'00 places all blocks in the erase-protected state.</li></ul>	—	Yes
Emulation protection	<ul style="list-style-type: none"><li>Setting the RAMS bit to 1 in the RAM emulation register (RAMER) places all blocks in the program/erase-protected state.</li></ul>	Yes	Yes

### 19.8.3 Error Protection

In error protection, an error is detected when H8S/2626 or H8S/2623 runaway occurs during flash memory programming/erasing, or operation is not performed in accordance with the program/erase algorithm, and the program/erase operation is aborted. Aborting the program/erase operation prevents damage to the flash memory due to overprogramming or overerasing.

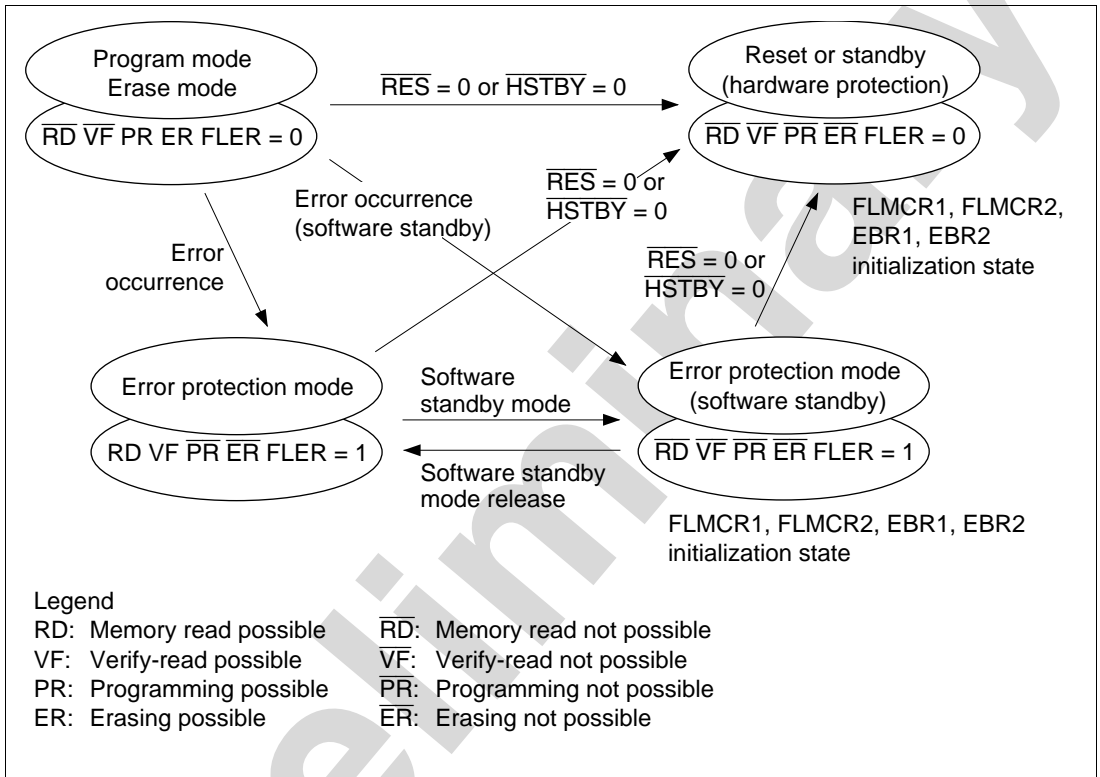
If the H8S/2626 or H8S/2623 malfunctions during flash memory programming/erasing, the FLER bit is set to 1 in FLMCR2 and the error protection state is entered. The FLMCR1, FLMCR2, EBR1, and EBR2 settings are retained, but program mode or erase mode is aborted at the point at which the error occurred. Program mode or erase mode cannot be re-entered by re-setting the P1 or E1 bit. However, PV1 and EV1 bit setting is enabled, and a transition can be made to verify mode.

FLER bit setting conditions are as follows:

1. When the flash memory of the relevant address area is read during programming/erasing (including vector read and instruction fetch)
2. When a SLEEP instruction (including software standby) is executed during programming/erasing

Error protection is released only by a reset and in hardware standby mode.

Figure 19-13 shows the flash memory state transition diagram.



**Figure 19-13 Flash Memory State Transitions**

## 19.9 Flash Memory Emulation in RAM

Making a setting in the RAM emulation register (RAMER) enables part of RAM to be overlapped onto the flash memory area so that data to be written to flash memory can be emulated in RAM in real time. After the RAMER setting has been made, accesses cannot be made from the flash memory area or the RAM area overlapping flash memory. Emulation can be performed in user mode and user program mode. Figure 19-14 shows an example of emulation of real-time flash memory programming.

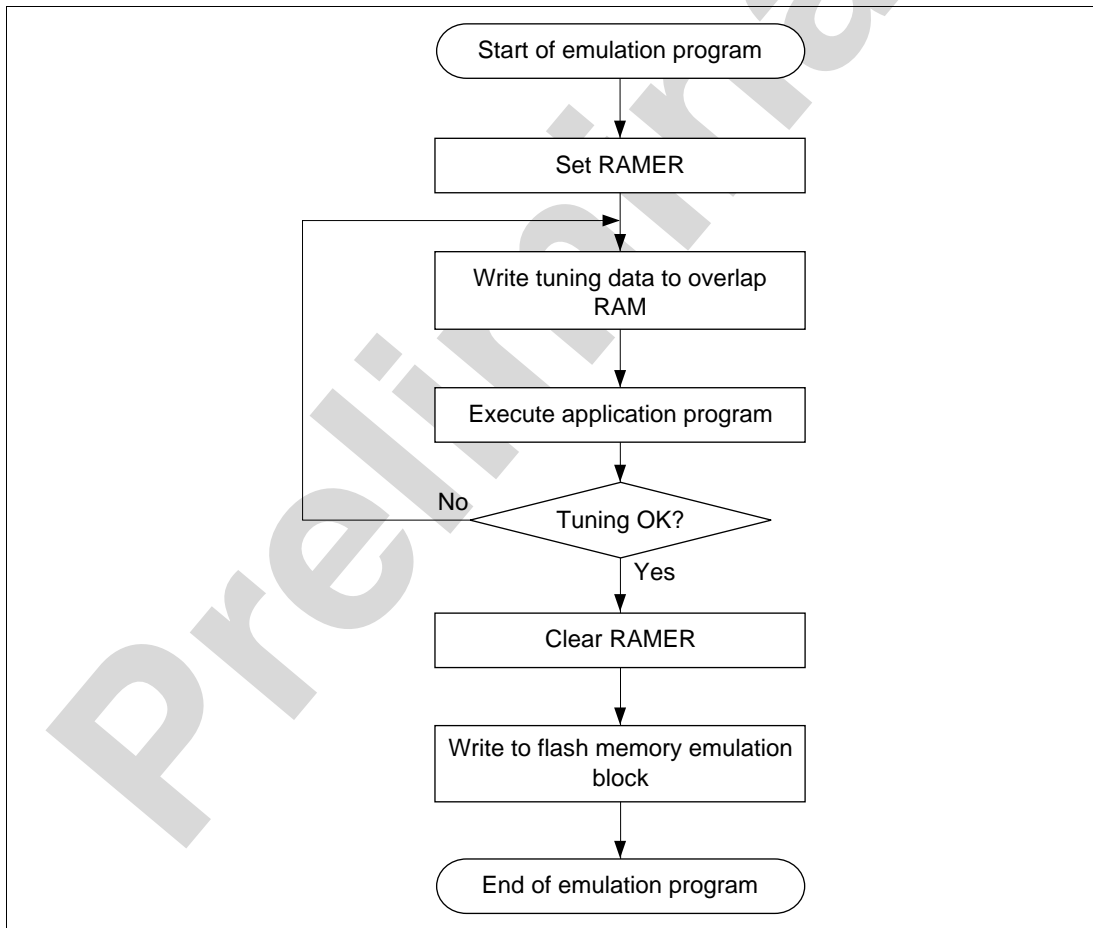
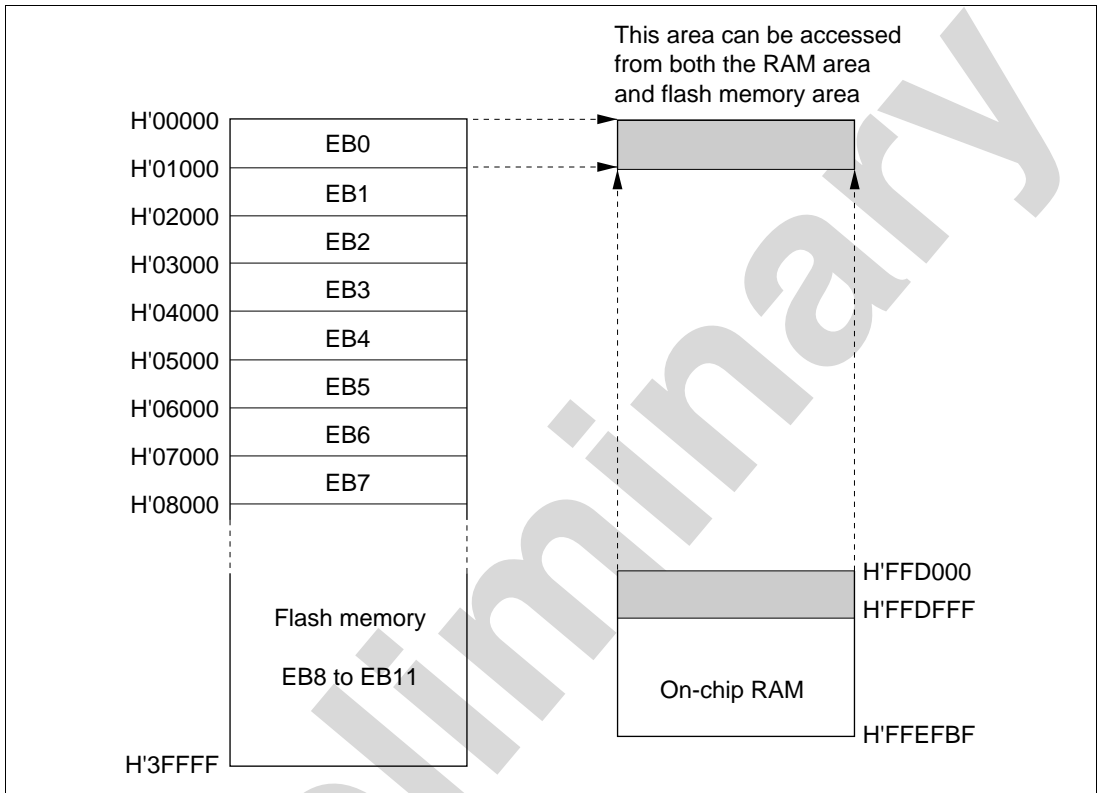


Figure 19-14 Flowchart for Flash Memory Emulation in RAM



**Figure 19-15 Example of RAM Overlap Operation**

### Example in which Flash Memory Block Area EB0 is Overlapped

1. Set bits RAMS, RAM2 to RAM0 in RAMER to 1, 0, 0, 0, to overlap part of RAM onto the area (EB0) for which real-time programming is required.
2. Real-time programming is performed using the overlapping RAM.
3. After the program data has been confirmed, the RAMS bit is cleared, releasing RAM overlap.
4. The data written in the overlapping RAM is written into the flash memory space (EB0).

- Notes:
1. When the RAMS bit is set to 1, program/erase protection is enabled for all blocks regardless of the value of RAM2 to RAM0 (emulation protection). In this state, setting the P1 or E1 bit in flash memory control register 1 (FLMCR1), will not cause a transition to program mode or erase mode. When actually programming or erasing a flash memory area, the RAMS bit should be cleared to 0.
  2. A RAM area cannot be erased by execution of software in accordance with the erase algorithm while flash memory emulation in RAM is being used.
  3. Block area EB0 contains the vector table. When performing RAM emulation, the vector table is needed in the overlap RAM.



## 19.10 Interrupt Handling when Programming/Erasing Flash Memory

All interrupts, including NMI interrupt is disabled when flash memory is being programmed or erased (when the P1 or E1 bit is set in FLMCR1), and while the boot program is executing in boot mode\*<sup>1</sup>, to give priority to the program or erase operation. There are three reasons for this:

1. Interrupt during programming or erasing might cause a violation of the programming or erasing algorithm, with the result that normal operation could not be assured.
2. In the interrupt exception handling sequence during programming or erasing, the vector would not be read correctly\*<sup>2</sup>, possibly resulting in MCU runaway.
3. If interrupt occurred during boot program execution, it would not be possible to execute the normal boot mode sequence.

For these reasons, in on-board programming mode alone there are conditions for disabling interrupt, as an exception to the general rule. However, this provision does not guarantee normal erasing and programming or MCU operation. All requests, including NMI interrupt, must therefore be restricted inside and outside the MCU when programming or erasing flash memory. NMI interrupt is also disabled in the error-protection state while the P1 or E1 bit remains set in FLMCR1.

Notes: \*1 Interrupt requests must be disabled inside and outside the MCU until the programming control program has completed programming.

\*2 The vector may not be read correctly in this case for the following two reasons:

- If flash memory is read while being programmed or erased (while the P1 or E1 bit is set in FLMCR1), correct read data will not be obtained (undetermined values will be returned).
- If the interrupt entry in the vector table has not been programmed yet, interrupt exception handling will not be executed correctly.

## 19.11 Flash Memory Programmer Mode

Programs and data can be written and erased in programmer mode as well as in the on-board programming modes. In programmer mode, flash memory read mode, auto-program mode, auto-erase mode, and status read mode are supported. In auto-program mode, auto-erase mode, and status read mode, a status polling procedure is used, and in status read mode, detailed internal signals are output after execution of an auto-program or auto-erase operation.

In programmer mode, set the mode pins to programmer mode (see table 19-10) and input a 12 MHz input clock.

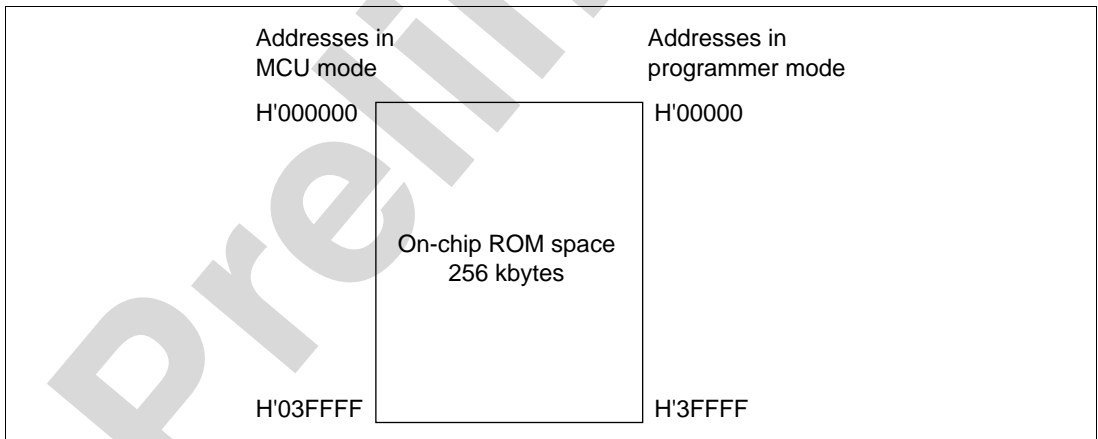
Table 19-10 shows the pin settings for programmer mode.

**Table 19-10 Programmer Mode Pin Settings**

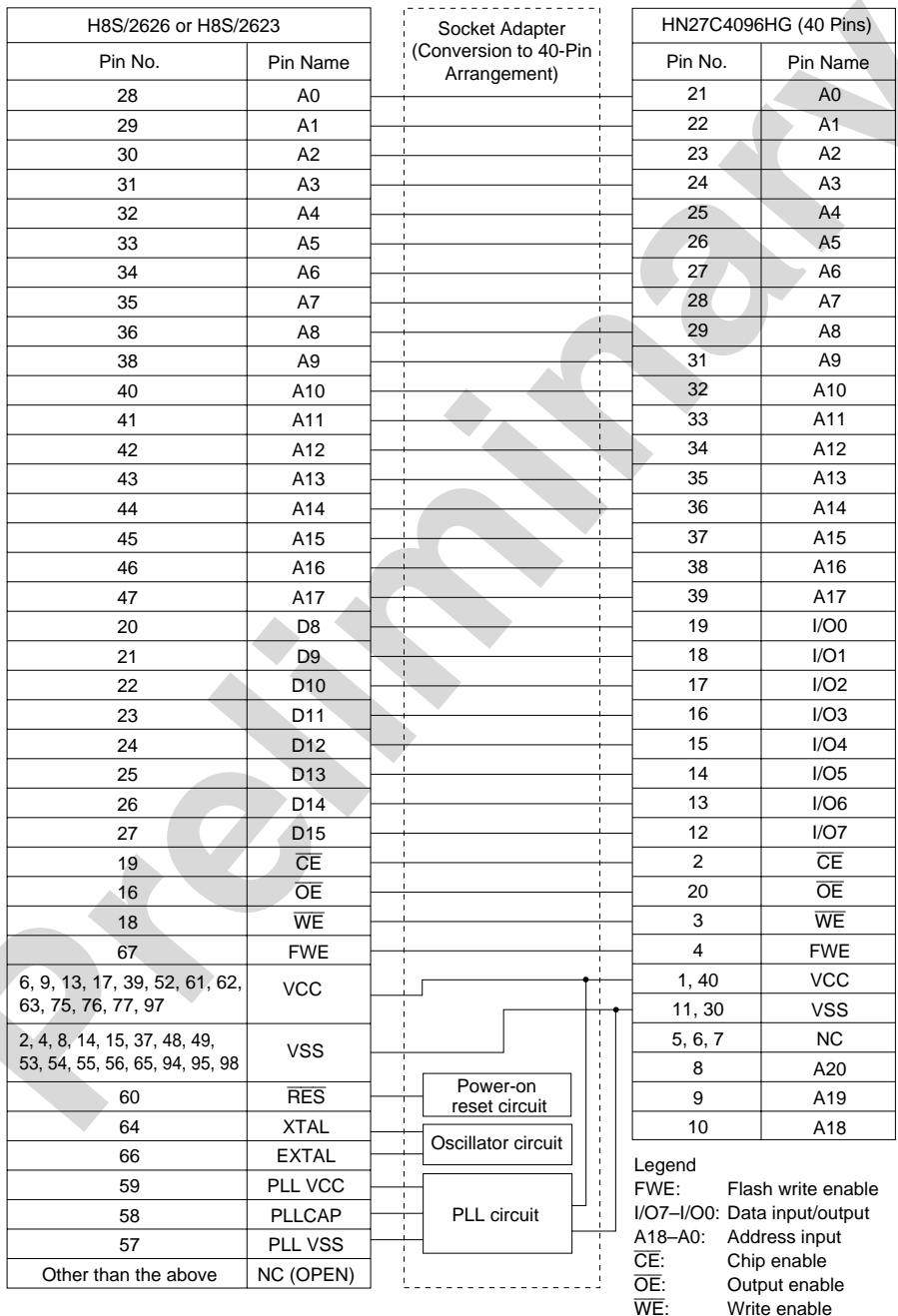
Pin Names	Settings
Mode pins: MD2, MD1, MD0	Low level input to MD2, MD1, and MD0.
Mode setting pins: PF0, P16, P14	High level input to PF0, low level input to P16 and P14
FWE pin	High level input (in auto-program and auto-erase modes)
$\overline{\text{RES}}$ pin	Reset circuit
XTAL, EXTAL, PLLVCC, PLLCAP, PLLVSS pins	Oscillator circuit

### 19.11.1 Socket Adapter Pin Correspondence Diagram

Connect the socket adapter to the chip as shown in figure 19-17. This will enable conversion to a 40-pin arrangement. The on-chip ROM memory map is shown in figure 19-16, and the socket adapter pin correspondence diagram in figure 19-17.



**Figure 19-16 On-Chip ROM Memory Map**



**Figure 19-17 Socket Adapter Pin Correspondence Diagram**

## 19.11.2 Programmer Mode Operation

Table 19-11 shows how the different operating modes are set when using programmer mode, and table 19-12 lists the commands used in programmer mode. Details of each mode are given below.

- **Memory Read Mode**  
Memory read mode supports byte reads.
- **Auto-Program Mode**  
Auto-program mode supports programming of 128 bytes at a time. Status polling is used to confirm the end of auto-programming.
- **Auto-Erase Mode**  
Auto-erase mode supports automatic erasing of the entire flash memory. Status polling is used to confirm the end of auto-programming.
- **Status Read Mode**  
Status polling is used for auto-programming and auto-erasing, and normal termination can be confirmed by reading the I/O6 signal. In status read mode, error information is output if an error occurs.

**Table 19-11 Settings for Various Operating Modes in Programmer Mode**

Mode	Pin Names					
	FWE	$\overline{CE}$	$\overline{OE}$	$\overline{WE}$	I/O7–I/O0	A18–A0
Read	H or L	L	L	H	Data output	Ain
Output disable	H or L	L	H	H	Hi-Z	X
Command write	H or L* <sup>3</sup>	L	H	L	Data input	Ain* <sup>2</sup>
Chip disable* <sup>1</sup>	H or L	H	X	X	Hi-Z	X

Notes: \*1 Chip disable is not a standby state; internally, it is an operation state.

\*2 Ain indicates that there is also address input in auto-program mode.

\*3 For command writes in auto-program and auto-erase modes, input a high level to the FWE pin.

**Table 19-12 Programmer Mode Commands**

Command Name	Number of Cycles	1st Cycle			2nd Cycle		
		Mode	Address	Data	Mode	Address	Data
Memory read mode	1 + n	Write	X	H'00	Read	RA	Dout
Auto-program mode	129	Write	X	H'40	Write	WA	Din
Auto-erase mode	2	Write	X	H'20	Write	X	H'20
Status read mode	2	Write	X	H'71	Write	X	H'71

Notes: 1. In auto-program mode, 129 cycles are required for command writing by a simultaneous 128-byte write.

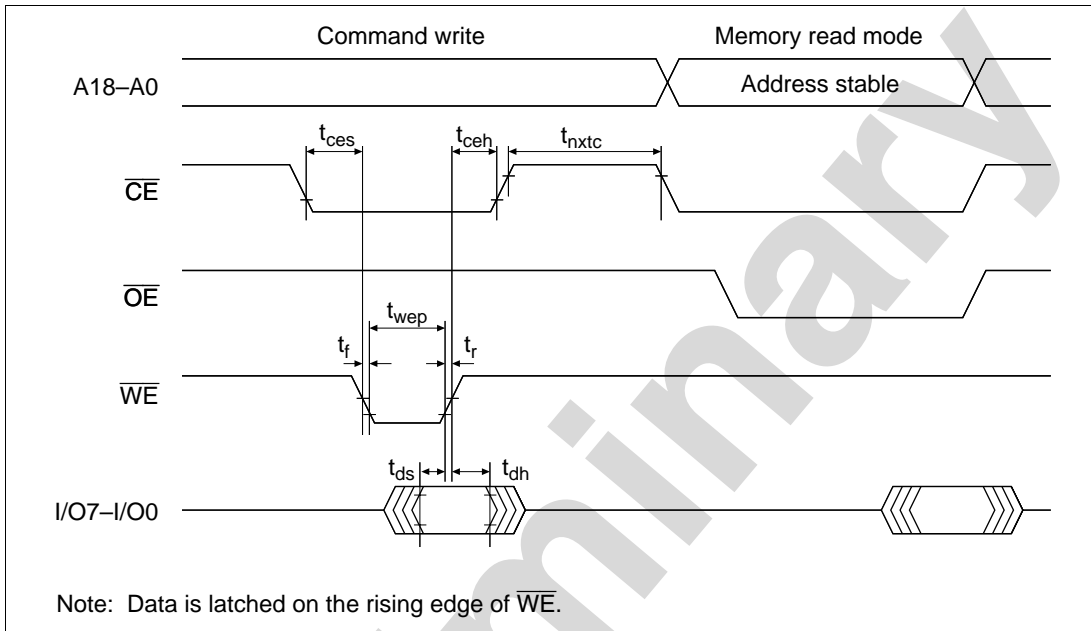
2. In memory read mode, the number of cycles depends on the number of address write cycles (n).

### 19.11.3 Memory Read Mode

1. After completion of auto-program/auto-erase/status read operations, a transition is made to the command wait state. When reading memory contents, a transition to memory read mode must first be made with a command write, after which the memory contents are read.
2. In memory read mode, command writes can be performed in the same way as in the command wait state.
3. Once memory read mode has been entered, consecutive reads can be performed.
4. After powering on, memory read mode is entered.

**Table 19-13 AC Characteristics in Transition to Memory Read Mode**  
(Conditions:  $V_{CC} = 3.3\text{ V} \pm 0.3\text{ V}$ ,  $V_{SS} = 0\text{ V}$ ,  $T_a = 25^\circ\text{C} \pm 5^\circ\text{C}$ )

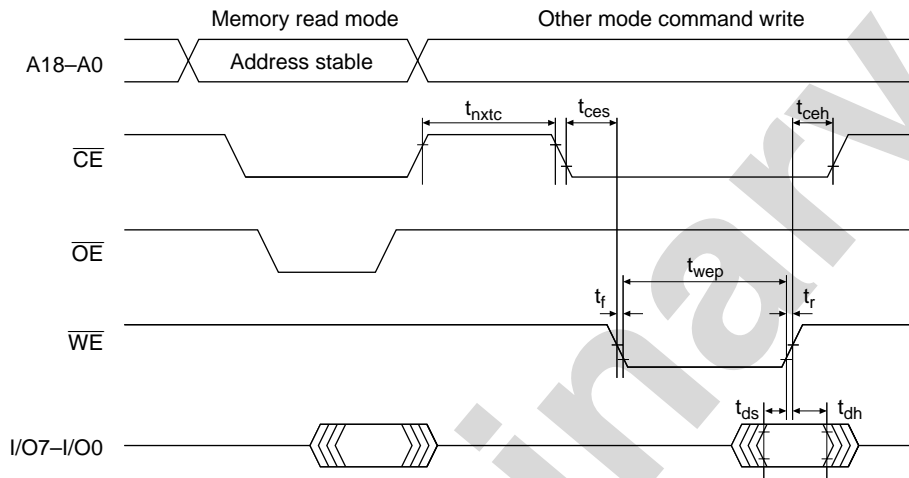
Item	Symbol	Min	Max	Unit
Command write cycle	$t_{nxtc}$	20	—	$\mu\text{s}$
$\overline{\text{CE}}$ hold time	$t_{ceh}$	0	—	ns
$\overline{\text{CE}}$ setup time	$t_{ces}$	0	—	ns
Data hold time	$t_{dh}$	50	—	ns
Data setup time	$t_{ds}$	50	—	ns
Write pulse width	$t_{wep}$	70	—	ns
$\overline{\text{WE}}$ rise time	$t_r$	—	30	ns
$\overline{\text{WE}}$ fall time	$t_f$	—	30	ns



**Figure 19-18 Timing Waveforms for Memory Read after Memory Write**

**Table 19-14 AC Characteristics in Transition from Memory Read Mode to Another Mode**  
 (Conditions:  $V_{CC} = 3.3\text{ V} \pm 0.3\text{ V}$ ,  $V_{SS} = 0\text{ V}$ ,  $T_a = 25^\circ\text{C} \pm 5^\circ\text{C}$ )

Item	Symbol	Min	Max	Unit
Command write cycle	$t_{nxtc}$	20	—	$\mu\text{s}$
$\overline{CE}$ hold time	$t_{ceh}$	0	—	ns
$\overline{CE}$ setup time	$t_{ces}$	0	—	ns
Data hold time	$t_{dh}$	50	—	ns
Data setup time	$t_{ds}$	50	—	ns
Write pulse width	$t_{wep}$	70	—	ns
$\overline{WE}$ rise time	$t_r$	—	30	ns
$\overline{WE}$ fall time	$t_f$	—	30	ns

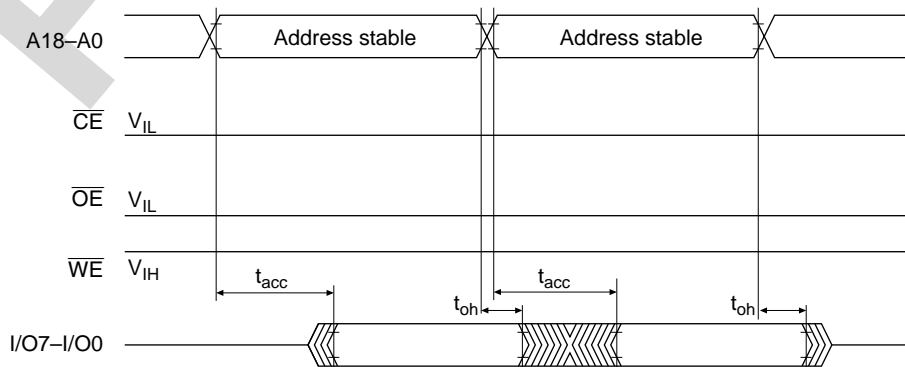


Note: Do not enable  $\overline{WE}$  and  $\overline{OE}$  at the same time.

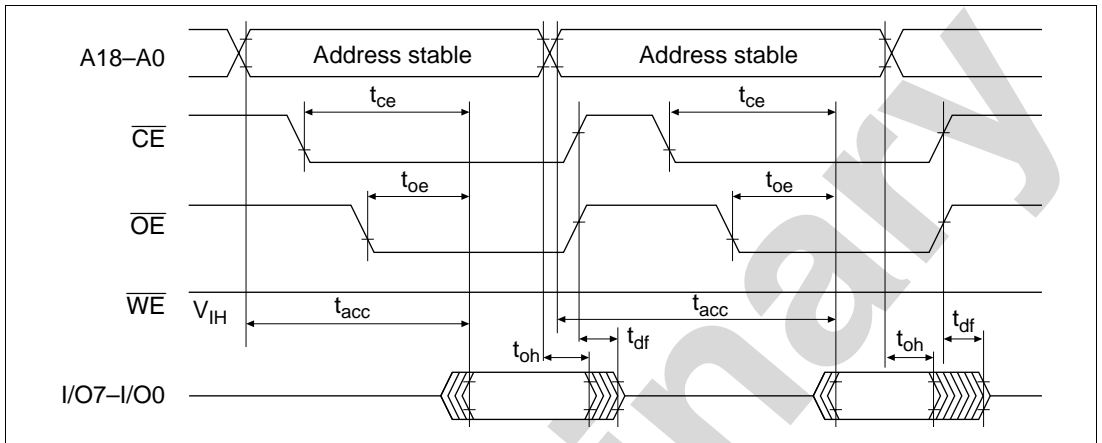
**Figure 19-19 Timing Waveforms in Transition from Memory Read Mode to Another Mode**

**Table 19-15 AC Characteristics in Memory Read Mode (Conditions:  $V_{CC} = 3.3\text{ V} \pm 0.3\text{ V}$ ,  $V_{SS} = 0\text{ V}$ ,  $T_a = 25^\circ\text{C} \pm 5^\circ\text{C}$ )**

Item	Symbol	Min	Max	Unit
Access time	$t_{acc}$	—	20	$\mu\text{s}$
$\overline{CE}$ output delay time	$t_{ce}$	—	150	ns
$\overline{OE}$ output delay time	$t_{oe}$	—	150	ns
Output disable delay time	$t_{df}$	—	100	ns
Data output hold time	$t_{oh}$	5	—	ns



**Figure 19-20  $\overline{CE}$  and  $\overline{OE}$  Enable State Read Timing Waveforms**



**Figure 19-21**  $\overline{CE}$  and  $\overline{OE}$  Clock System Read Timing Waveforms

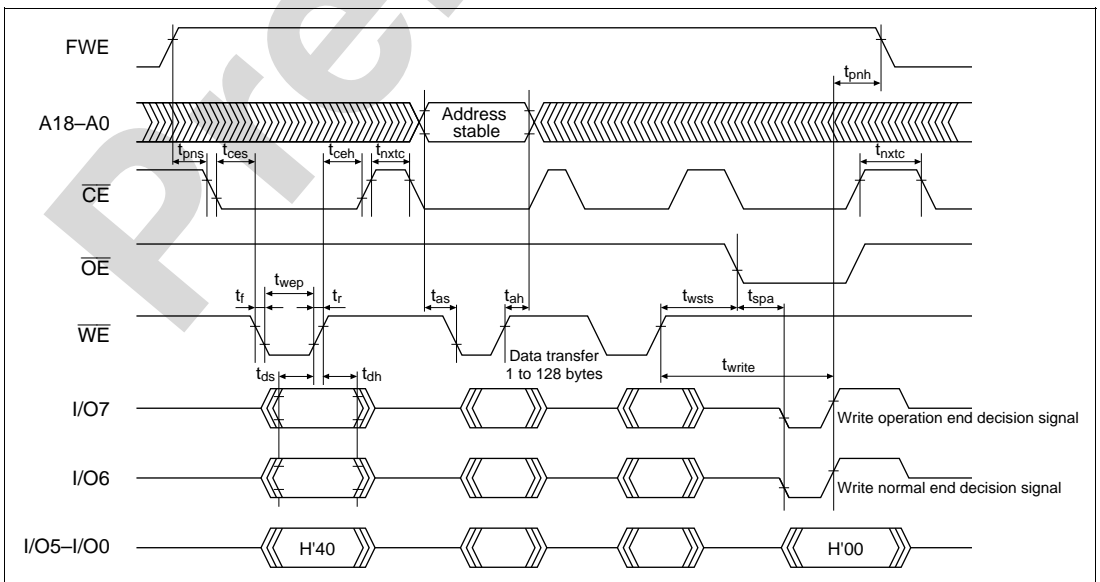
#### 19.11.4 Auto-Program Mode

1. In auto-program mode, 128 bytes are programmed simultaneously. This should be carried out by executing 128 consecutive byte transfers.
2. A 128-byte data transfer is necessary even when programming fewer than 128 bytes. In this case, H'FF data must be written to the extra addresses.
3. The lower 7 bits of the transfer address must be low. If a value other than an effective address is input, processing will switch to a memory write operation but a write error will be flagged.
4. Memory address transfer is performed in the second cycle (figure 19-22). Do not perform transfer after the third cycle.
5. Do not perform a command write during a programming operation.
6. Perform one auto-program operation for a 128-byte block for each address. Two or more additional programming operations cannot be performed on a previously programmed address block.
7. Confirm normal end of auto-programming by checking I/O6. Alternatively, status read mode can also be used for this purpose (I/O7 status polling uses the auto-program operation end decision pin).
8. Status polling I/O6 and I/O7 pin information is retained until the next command write. As long as the next command write has not been performed, reading is possible by enabling  $\overline{CE}$  and  $\overline{OE}$ .



**Table 19-16 AC Characteristics in Auto-Program Mode (Conditions:  $V_{CC} = 3.3\text{ V} \pm 0.3\text{ V}$ ,  $V_{SS} = 0\text{ V}$ ,  $T_a = 25^\circ\text{C} \pm 5^\circ\text{C}$ )**

Item	Symbol	Min	Max	Unit
Command write cycle	$t_{nxtc}$	20	—	$\mu\text{s}$
$\overline{\text{CE}}$ hold time	$t_{ceh}$	0	—	ns
$\overline{\text{CE}}$ setup time	$t_{ces}$	0	—	ns
Data hold time	$t_{dh}$	50	—	ns
Data setup time	$t_{ds}$	50	—	ns
Write pulse width	$t_{wep}$	70	—	ns
Status polling start time	$t_{wsts}$	1	—	ms
Status polling access time	$t_{spa}$	—	150	ns
Address setup time	$t_{as}$	0	—	ns
Address hold time	$t_{ah}$	60	—	ns
Memory write time	$t_{write}$	1	3000	ms
Write setup time	$t_{pns}$	100	—	ns
Write end setup time	$t_{pnh}$	100	—	ns
$\overline{\text{WE}}$ rise time	$t_r$	—	30	ns
$\overline{\text{WE}}$ fall time	$t_f$	—	30	ns



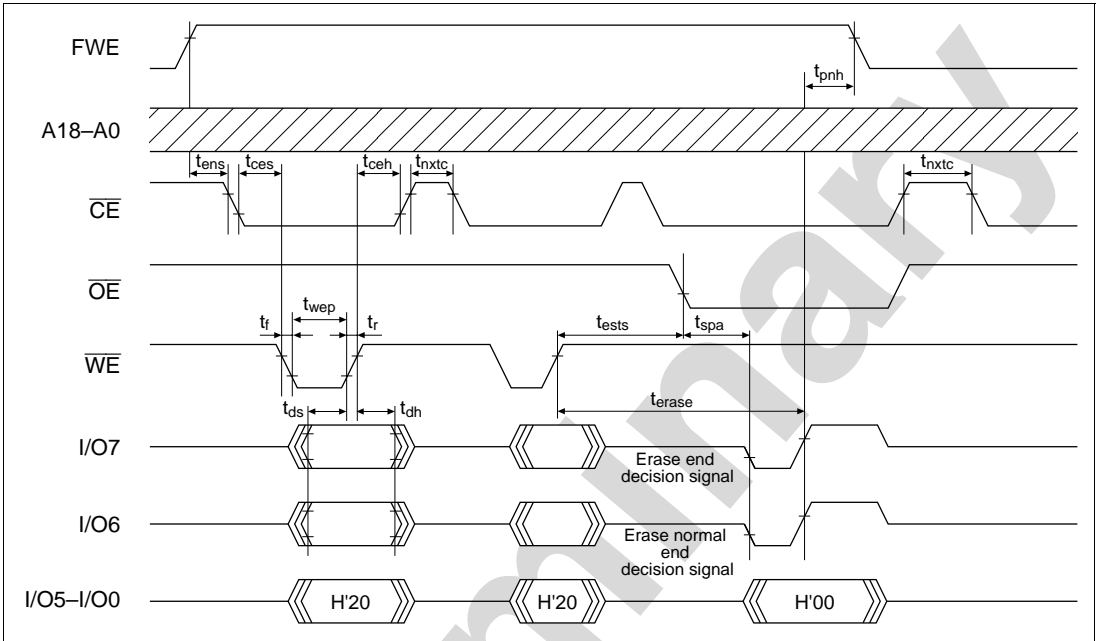
**Figure 19-22 Auto-Program Mode Timing Waveforms**

### 19.11.5 Auto-Erase Mode

1. Auto-erase mode supports only entire memory erasing.
2. Do not perform a command write during auto-erasing.
3. Confirm normal end of auto-erasing by checking I/O6. Alternatively, status read mode can also be used for this purpose (I/O7 status polling uses the auto-erase operation end decision pin).
4. Status polling I/O6 and I/O7 pin information is retained until the next command write. As long as the next command write has not been performed, reading is possible by enabling  $\overline{\text{CE}}$  and  $\overline{\text{OE}}$ .

**Table 19-17 AC Characteristics in Auto-Erase Mode (Conditions:  $V_{CC} = 3.3 \text{ V} \pm 0.3 \text{ V}$ ,  $V_{SS} = 0 \text{ V}$ ,  $T_a = 25^\circ \text{C} \pm 5^\circ \text{C}$ )**

Item	Symbol	Min	Max	Unit
Command write cycle	$t_{nxtc}$	20	—	$\mu\text{s}$
$\overline{\text{CE}}$ hold time	$t_{ceh}$	0	—	ns
$\overline{\text{CE}}$ setup time	$t_{ces}$	0	—	ns
Data hold time	$t_{dh}$	50	—	ns
Data setup time	$t_{ds}$	50	—	ns
Write pulse width	$t_{wep}$	70	—	ns
Status polling start time	$t_{ests}$	1	—	ms
Status polling access time	$t_{spa}$	—	150	ns
Memory erase time	$t_{erase}$	100	40000	ms
Erase setup time	$t_{ens}$	100	—	ns
Erase end setup time	$t_{enh}$	100	—	ns
$\overline{\text{WE}}$ rise time	$t_r$	—	30	ns
$\overline{\text{WE}}$ fall time	$t_f$	—	30	ns



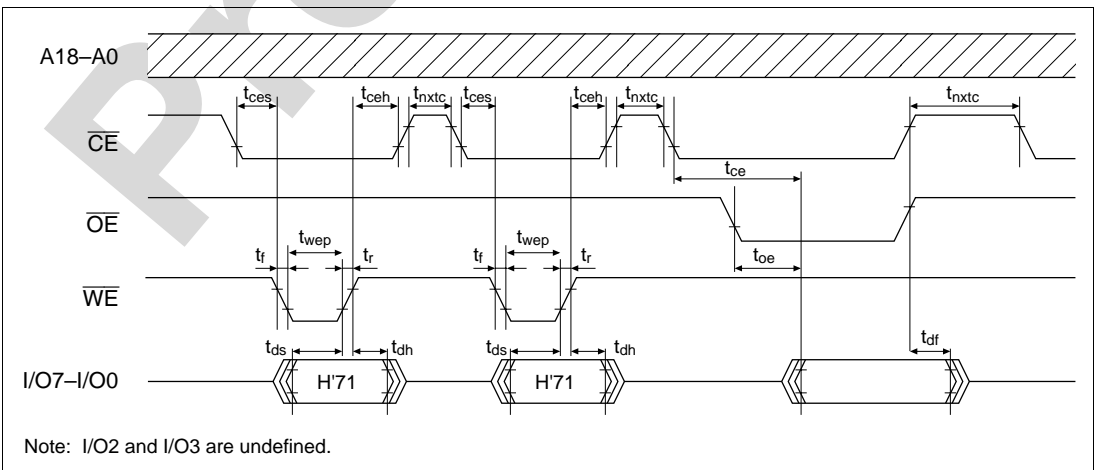
**Figure 19-23 Auto-Erase Mode Timing Waveforms**

## 19.11.6 Status Read Mode

- Status read mode is provided to identify the kind of abnormal end. Use this mode when an abnormal end occurs in auto-program mode or auto-erase mode.
- The return code is retained until a command write other than a status read mode command write is executed.

**Table 19-18 AC Characteristics in Status Read Mode (Conditions:  $V_{CC} = 3.3\text{ V} \pm 0.3\text{ V}$ ,  $V_{SS} = 0\text{ V}$ ,  $T_a = 25^\circ\text{C} \pm 5^\circ\text{C}$ )**

Item	Symbol	Min	Max	Unit
Read time after command write	$t_{nxtc}$	20	—	$\mu\text{s}$
$\overline{\text{CE}}$ hold time	$t_{ceh}$	0	—	ns
$\overline{\text{CE}}$ setup time	$t_{ces}$	0	—	ns
Data hold time	$t_{dh}$	50	—	ns
Data setup time	$t_{ds}$	50	—	ns
Write pulse width	$t_{wep}$	70	—	ns
$\overline{\text{OE}}$ output delay time	$t_{oe}$	—	150	ns
Disable delay time	$t_{df}$	—	100	ns
$\overline{\text{CE}}$ output delay time	$t_{ce}$	—	150	ns
$\overline{\text{WE}}$ rise time	$t_r$	—	30	ns
$\overline{\text{WE}}$ fall time	$t_f$	—	30	ns



**Figure 19-24 Status Read Mode Timing Waveforms**

**Table 19-19 Status Read Mode Return Commands**

Pin Name	I/O7	I/O6	I/O5	I/O4	I/O3	I/O2	I/O1	I/O0
Attribute	Normal end decision	Command error	Programming error	Erase error	—	—	Programming or erase count exceeded	Effective address error
Initial value	0	0	0	0	0	0	0	0
Indications	Normal end: 0 Abnormal end: 1	Command error: 1 Otherwise: 0	Programming error: 1 Otherwise: 0	Erasing error: 1 Otherwise: 0	—	—	Count exceeded: 1 Otherwise: 0	Effective address error: 1 Otherwise: 0

Note: I/O2 and I/O3 are undefined.

### 19.11.7 Status Polling

1. The I/O7 status polling flag indicates the operating status in auto-program/auto-erase mode.
2. The I/O6 status polling flag indicates a normal or abnormal end in auto-program/auto-erase mode.

**Table 19-20 Status Polling Output Truth Table**

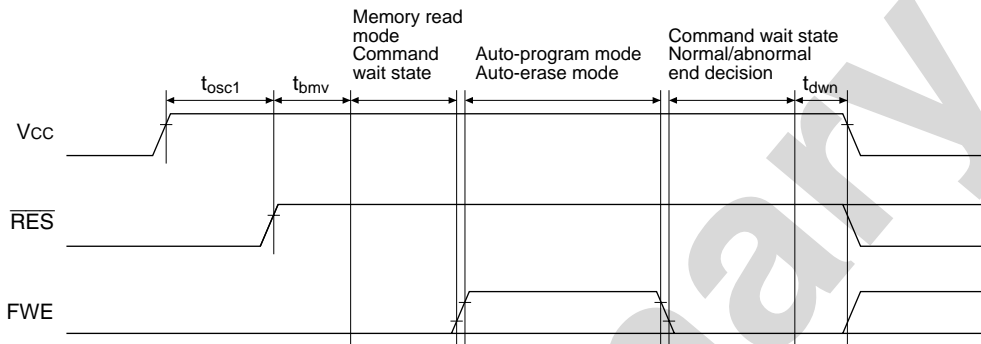
Pin Name	During Internal Operation		—	Normal End
		Abnormal End		
I/O7	0	1	0	1
I/O6	0	0	1	1
I/O0–I/O5	0	0	0	0

### 19.11.8 Programmer Mode Transition Time

Commands cannot be accepted during the oscillation stabilization period or the programmer mode setup period. After the programmer mode setup time, a transition is made to memory read mode.

**Table 19-21 Stipulated Transition Times to Command Wait State**

Item	Symbol	Min	Max	Unit
Standby release (oscillation stabilization time)	$t_{osc1}$	30	—	ms
Programmer mode setup time	$t_{bmv}$	10	—	ms
$V_{CC}$ hold time	$t_{dwn}$	0	—	ms



Note: When using other than the automatic write mode and automatic erase mode, drive the FWE input pin low.

**Figure 19-25 Oscillation Stabilization Time, Boot Program Transfer Time, and Power-Down Sequence**

### 19.11.9 Notes on Memory Programming

1. When programming addresses which have previously been programmed, carry out auto-erasing before auto-programming.
2. When performing programming using programmer mode on a chip that has been programmed/erased in an on-board programming mode, auto-erasing is recommended before carrying out auto-programming.

Notes: 1. The flash memory is initially in the erased state when the device is shipped by Hitachi. For other chips for which the erasure history is unknown, it is recommended that auto-erasing be executed to check and supplement the initialization (erase) level.

2. Auto-programming should be performed once only on the same address block. Additional programming cannot be performed on previously programmed address blocks.

## 19.12 Flash Memory and Power-Down States

In addition to its normal operating state, the flash memory has power-down states in which power consumption is reduced by halting part or all of the internal power supply circuitry.

There are three flash memory operating states:

- (1) Normal operating mode: The flash memory can be read and written to.
- (2) Power-down mode: Part of the power supply circuitry is halted, and the flash memory can be read when the LSI is operating on the subclock.
- (3) Standby mode: All flash memory circuits are halted, and the flash memory cannot be read or written to.

States (2) and (3) are flash memory power-down states. Table 19-22 shows the correspondence between the operating states of the LSI and the flash memory.

**Table 19-22 Flash Memory Operating States**

LSI Operating State	Flash Memory Operating State
High-speed mode	Normal mode (read/write)
Medium-speed mode	
Sleep mode	
Subactive mode	When PDWND = 0: Power-down mode (read-only)
Subsleep mode	When PDWND = 1: Normal mode (read-only)
Watch mode	Standby mode
Software standby mode	
Hardware standby mode	

### 19.12.1 Note on Power-Down States

When the flash memory is in a power-down state, part or all of the internal power supply circuitry is halted. Therefore, a power supply circuit stabilization period must be provided when returning to normal operation. When the flash memory returns to its normal operating state from a power-down state, bits STS2 to STS0 in SBYCR must be set to provide a wait time of at least 20  $\mu$ s (power supply stabilization time), even if an oscillation stabilization period is not necessary.

## 19.13 Flash Memory Programming and Erasing Precautions

Precautions concerning the use of on-board programming mode, the RAM emulation function, and programmer mode are summarized below.

### 1. Use the specified voltages and timing for programming and erasing.

Applied voltages in excess of the rating can permanently damage the device. Use a PROM programmer that supports the Hitachi microcomputer device type with 256-kbyte on-chip flash memory (FZTAT256V3A).

Do not select the HN27C4096 setting for the PROM programmer, and only use the specified socket adapter. Failure to observe these points may result in damage to the device.

### 2. Powering on and off (see figures 19-26 to 19-28)

Do not apply a high level to the FWE pin until  $V_{CC}$  has stabilized. Also, drive the FWE pin low before turning off  $V_{CC}$ .

When applying or disconnecting  $V_{CC}$  power, fix the FWE pin low and place the flash memory in the hardware protection state.

The power-on and power-off timing requirements should also be satisfied in the event of a power failure and subsequent recovery.

### 3. FWE application/disconnection (see figures 19-26 to 19-28)

FWE application should be carried out when MCU operation is in a stable condition. If MCU operation is not stable, fix the FWE pin low and set the protection state.

The following points must be observed concerning FWE application and disconnection to prevent unintentional programming or erasing of flash memory:

- Apply FWE when the  $V_{CC}$  voltage has stabilized within its rated voltage range.  
Apply FWE when oscillation has stabilized (after the elapse of the oscillation settling time).
- In boot mode, apply and disconnect FWE during a reset.
- In user program mode, FWE can be switched between high and low level regardless of  $\overline{RES}$  input.  
FWE input can also be switched during execution of a program in flash memory.
- Do not apply FWE if program runaway has occurred.
- Disconnect FWE only when the SWE1, ESU1, PSU1, EV1, PV1, P1, and E1 bits in FLMCR1 are cleared.

Make sure that the SWE1, ESU1, PSU1, EV1, PV1, P1, and E1 bits are not set by mistake when applying or disconnecting FWE.



**4. Do not apply a constant high level to the FWE pin.**

Apply a high level to the FWE pin only when programming or erasing flash memory. A system configuration in which a high level is constantly applied to the FWE pin should be avoided. Also, while a high level is applied to the FWE pin, the watchdog timer should be activated to prevent overprogramming or overerasing due to program runaway, etc.

**5. Use the recommended algorithm when programming and erasing flash memory.**

The recommended algorithm enables programming and erasing to be carried out without subjecting the device to voltage stress or sacrificing program data reliability. When setting the P1 or E1 bit in FLMCR1, the watchdog timer should be set beforehand as a precaution against program runaway, etc.

**6. Do not set or clear the SWE1 bit during execution of a program in flash memory.**

Do not set or clear the SWE1 bit during execution of a program in flash memory. Wait for at least 100  $\mu$ s after clearing the SWE1 bit before executing a program or reading data in flash memory. When the SWE1 bit is set, data in flash memory can be rewritten, but when SWE1 = 1, flash memory can only be read in program-verify or erase-verify mode. Access flash memory only for verify operations (verification during programming/erasing). Do not clear the SWE1 bit during programming, erasing, or verifying.

Similarly, when using the RAM emulation function while a high level is being input to the FWE pin, the SWE1 bit must be cleared before executing a program or reading data in flash memory. However, the RAM area overlapping flash memory space can be read and written to regardless of whether the SWE1 bit is set or cleared.

**7. Do not use interrupts while flash memory is being programmed or erased.**

All interrupt requests, including NMI, should be disabled during FWE application to give priority to program/erase operations.

**8. Do not perform additional programming. Erase the memory before reprogramming.**

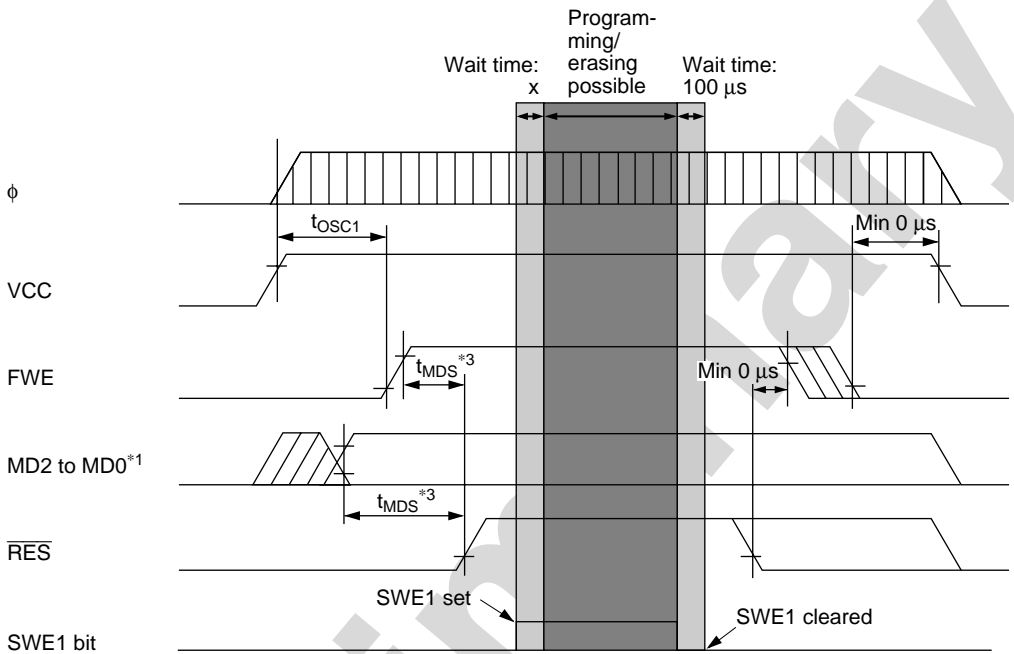
In on-board programming, perform only one programming operation on a 128-byte programming unit block. In programmer mode, also, perform only one programming operation on a 128-byte programming unit block.

**9. Before programming, check that the chip is correctly mounted in the PROM programmer.**

Overcurrent damage to the device can result if the index marks on the PROM programmer socket, socket adapter, and chip are not correctly aligned.

**10. Do not touch the socket adapter or chip during programming.**

Touching either of these can cause contact faults and write errors.



Period during which flash memory access is prohibited (x: Wait time after setting  $SWE1$  bit)<sup>\*2</sup>

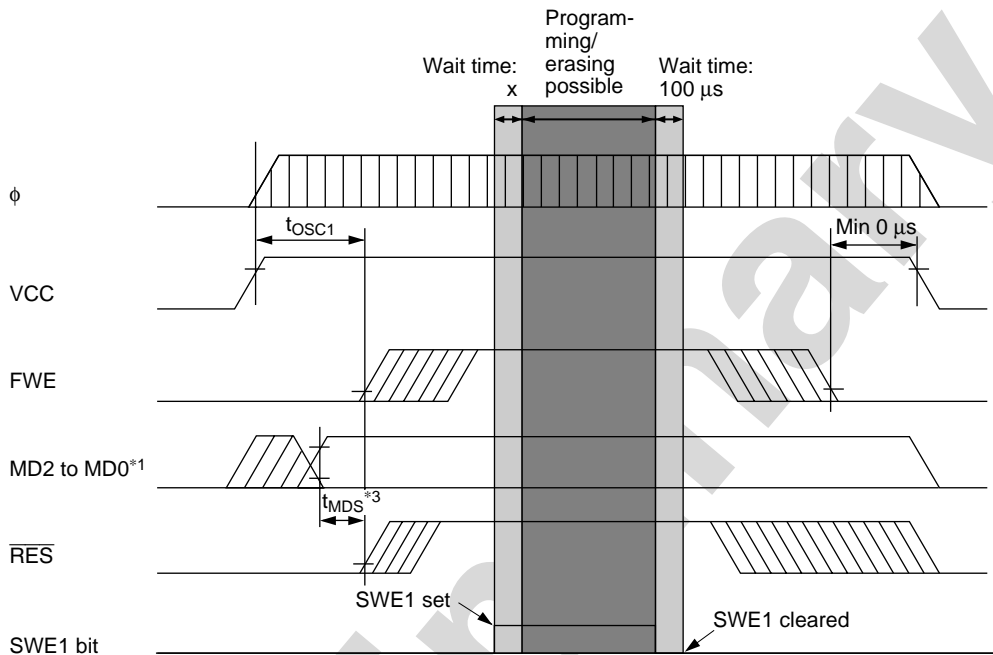
Period during which flash memory can be programmed (Execution of program in flash memory prohibited, and data reads other than verify operations prohibited)

Notes: \*1 Except when switching modes, the level of the mode pins ( $MD2$ – $MD0$ ) must be fixed until power-off by pulling the pins up or down.

\*2 See section 22.6, Flash Memory Characteristics.

\*3 Mode programming setup time  $t_{MDS}$  (min) = 200 ns

**Figure 19-26 Power-On/Off Timing (Boot Mode)**



Period during which flash memory access is prohibited  
 (x: Wait time after setting SWE1 bit)\*2

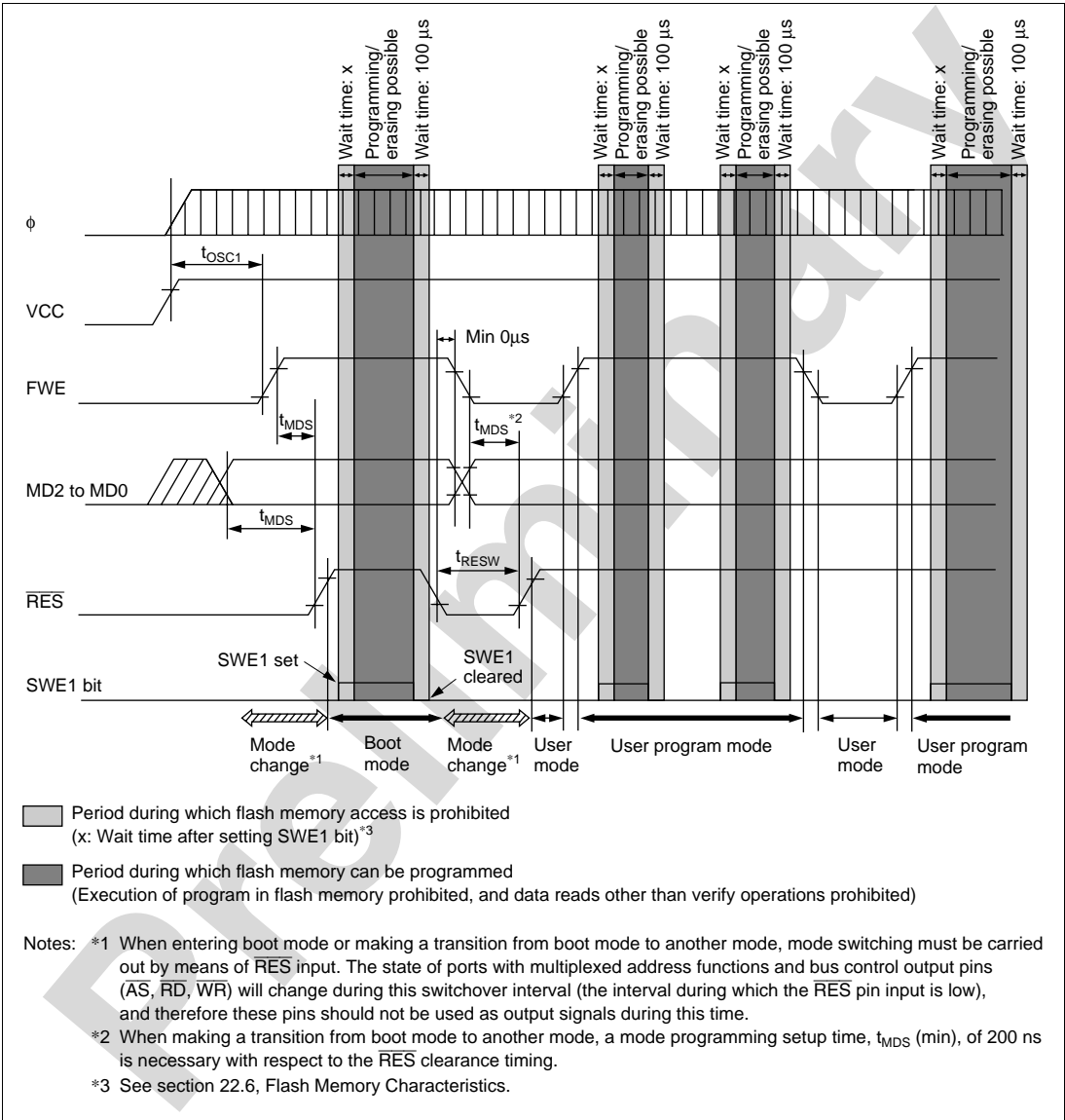
Period during which flash memory can be programmed  
 (Execution of program in flash memory prohibited, and data reads other than verify operations prohibited)

Notes: \*1 Except when switching modes, the level of the mode pins (MD2–MD0) must be fixed until power-off by pulling the pins up or down.

\*2 See section 22.6, Flash Memory Characteristics.

\*3 Mode programming setup time  $t_{MDS}$  (min) = 200 ns

**Figure 19-27 Power-On/Off Timing (User Program Mode)**



**Figure 19-28 Mode Transition Timing**  
**(Example: Boot Mode → User Mode ↔ User Program Mode)**

## 19.14 Note on Switching from F-ZTAT Version to Mask ROM Version

The mask ROM version does not have the internal registers for flash memory control that are provided in the F-ZTAT version. Table 19-23 lists the registers that are present in the F-ZTAT version but not in the mask ROM version. If a register listed in table 19-23 is read in the mask ROM version, an undefined value will be returned. Therefore, if application software developed on the F-ZTAT version is switched to a mask ROM version product, it must be modified to ensure that the registers in table 19-23 have no effect.

**Table 19-23 Registers Present in F-ZTAT Version but Absent in Mask ROM Version**

<b>Register</b>	<b>Abbreviation</b>	<b>Address</b>
Flash memory control register 1	FLMCR1	H'FFA8
Flash memory control register 2	FLMCR2	H'FFA9
Erase block register 1	EBR1	H'FFAA
Erase block register 2	EBR2	H'FFAB
RAM emulation register	RAMER	H'FEDB
Flash memory power control register	FLPWCR	H'FFAC



# Section 20 Clock Pulse Generator

## 20.1 Overview

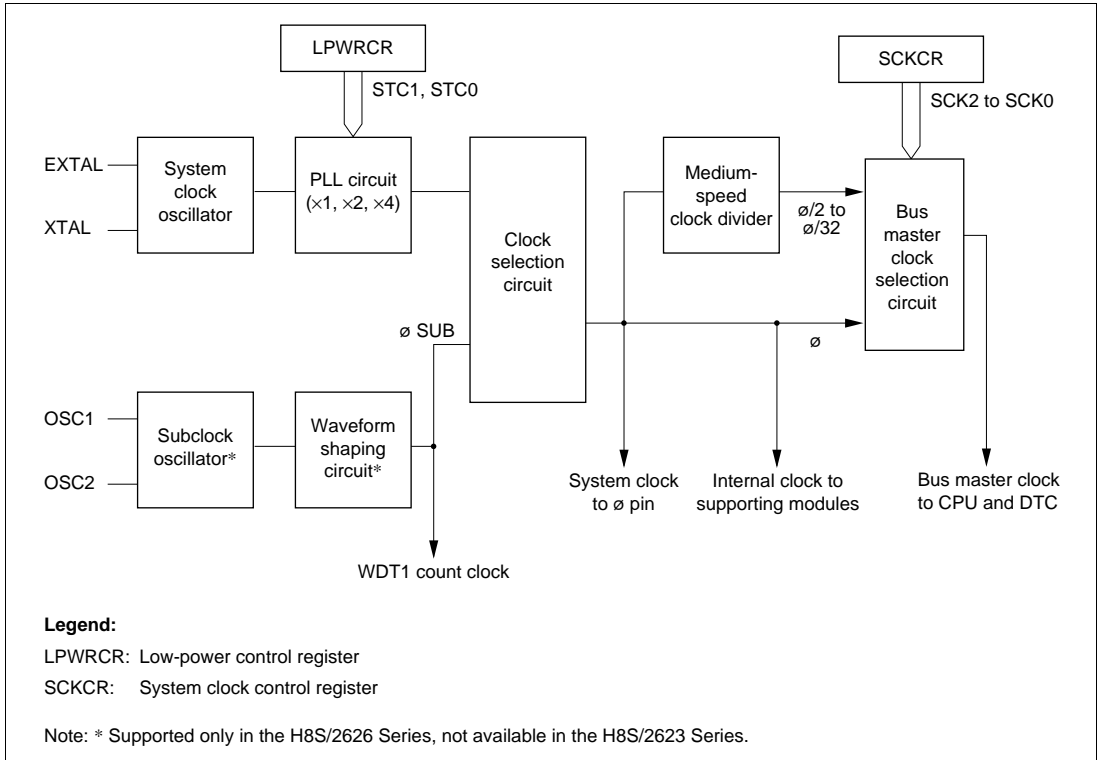
The H8S/2626 Series and H8S/2623 Series have an on-chip clock pulse generator (CPG) that generates the system clock ( $\phi$ ), the bus master clock, and internal clocks.

The clock pulse generator consists of an oscillator, PLL (phase-locked loop) circuit, clock selection circuit, medium-speed clock divider, bus master clock selection circuit, subclock oscillator\*, and waveform shaping circuit\*. The frequency can be changed by means of the PLL circuit in the CPG. Frequency changes are performed by software by means of settings in the system clock control register (SCKCR) and low-power control register (LPWRCCR).

Note: \* Supported only in the H8S/2626 Series; not available in the H8S/2623 Series.

## 20.1.1 Block Diagram

Figure 20-1 shows a block diagram of the clock pulse generator.



**Figure 20-1 Block Diagram of Clock Pulse Generator**

## 20.1.2 Register Configuration

The clock pulse generator is controlled by SCKCR and LPWRCR. Table 20-1 shows the register configuration.

**Table 20-1 Clock Pulse Generator Register**

Name	Abbreviation	R/W	Initial Value	Address*
System clock control register	SCKCR	R/W	H'00	H'FDE6
Low-power control register	LPWRCR	R/W	H'00	H'FDEC

Note: \* Lower 16 bits of the address.



## 20.2 Register Descriptions

### 20.2.1 System Clock Control Register (SCKCR)

Bit	:	7	6	5	4	3	2	1	0
		PSTOP	—	—	—	STCS	SCK2	SCK1	SCK0
Initial value:		0	0	0	0	0	0	0	0
R/W	:	R/W	—	—	—	R/W	R/W	R/W	R/W

SCKCR is an 8-bit readable/writable register that performs  $\phi$  clock output control, selection of operation when the PLL circuit frequency multiplication factor is changed, and medium-speed mode control.

SCKCR is initialized to H'00 by a reset and in hardware standby mode. It is not initialized in software standby mode.

**Bit 7— $\phi$  Clock Output Disable (PSTOP):** Controls  $\phi$  output.

Bit 7	Description				
	High-speed Mode, PSTOP	Medium-Speed Mode	Sleep Mode	Software Standby Mode	Hardware Standby Mode
0	$\phi$ output (initial value)	$\phi$ output	Fixed high	Fixed high	High impedance
1	Fixed high	Fixed high	Fixed high	Fixed high	High impedance

**Bits 6 to 4—Reserved:** These bits are always read as 0 and cannot be modified.

**Bit 3—Frequency Multiplication Factor Switching Mode Select (STCS):** Selects the operation when the PLL circuit frequency multiplication factor is changed.

**Bit 3**

STCS	Description
0	Specified multiplication factor is valid after transition to software standby mode (Initial value)
1	Specified multiplication factor is valid immediately after STC bits are rewritten

**Bits 2 to 0—System Clock Select 2 to 0 (SCK2 to SCK0):** These bits select the bus master clock.

Bit 2	Bit 1	Bit 0	Description
SCK2	SCK1	SCK0	
0	0	0	Bus master is in high-speed mode (Initial value)
		1	Medium-speed clock is $\phi/2$
	1	0	Medium-speed clock is $\phi/4$
		1	Medium-speed clock is $\phi/8$
1	0	0	Medium-speed clock is $\phi/16$
		1	Medium-speed clock is $\phi/32$
	1	—	—

### 20.2.2 Low-Power Control Register (LPWRCR)

Bit	7	6	5	4	3	2	1	0
	DTON	LSON	NESEL	SUBSTP	RFCUT	—	STC1	STC0
Initial value	0	0	0	0	0	0	0	0
Read/Write	R/W	R/W	R/W	R/W	R/W	R/W	R/W	R/W

LPWRCR is an 8-bit readable/writable register that performs power-down mode control. LPWRCR is initialized to H'00 by a reset and in hardware standby mode. It is not initialized by a manual reset or in software standby mode.

**Bits 7 to 2—Reserved:** The function of these bits differs between the H8S/2623 Series and H8S/2626 Series.

For details see sections 21A.2.3, 21B.2.3, Low-Power Control Register (LPWRCR).

**Bits 1 and 0—Frequency Multiplication Factor (STC1, STC0):** The STC bits specify the frequency multiplication factor of the PLL circuit.

Bit 1	Bit 0	Description
STC1	STC0	
0	0	×1 (Initial value)
	1	×2
1	0	×4
	1	Setting prohibited

Note: A system clock frequency multiplied by the multiplication factor (STC1 and STC0) should not exceed the maximum operating frequency defined in sections 21A and 21B, Electrical Characteristics.

## 20.3 Oscillator

Clock pulses can be supplied by connecting a crystal resonator, or by input of an external clock.

In either case, the input clock should not exceed 20 MHz.

### 20.3.1 Connecting a Crystal Resonator

**Circuit Configuration:** A crystal resonator can be connected as shown in the example in figure 20-2. Select the damping resistance  $R_d$  according to table 20-2. An AT-cut parallel-resonance crystal should be used.

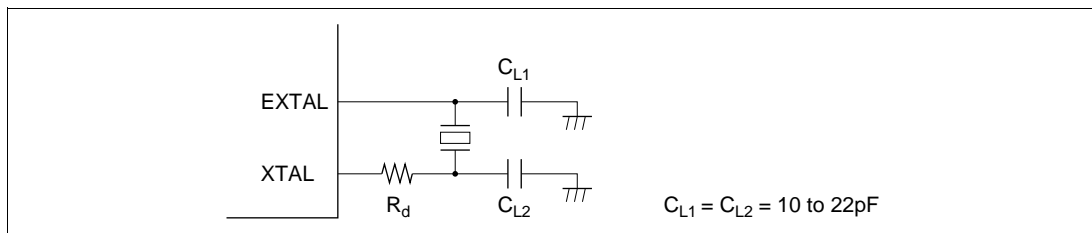


Figure 20-2 Connection of Crystal Resonator (Example)

Table 20-2 Damping Resistance Value

Frequency (MHz)	4	8	12	16	20
$R_d$ ( $\Omega$ )	500	200	0	0	0

**Crystal Resonator:** Figure 20-3 shows the equivalent circuit of the crystal resonator. Use a crystal resonator that has the characteristics shown in table 20-3. The crystal resonator frequency should not exceed 20 MHz.

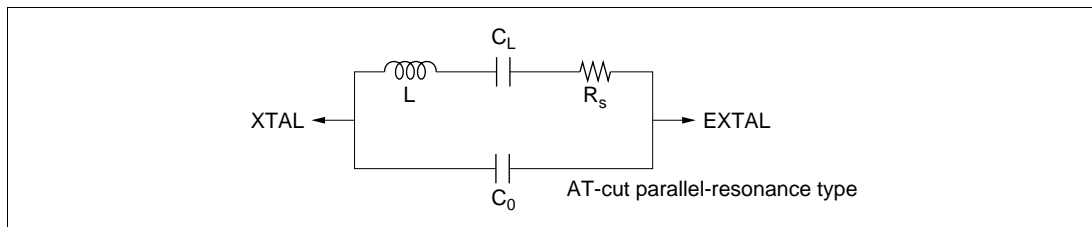


Figure 20-3 Crystal Resonator Equivalent Circuit

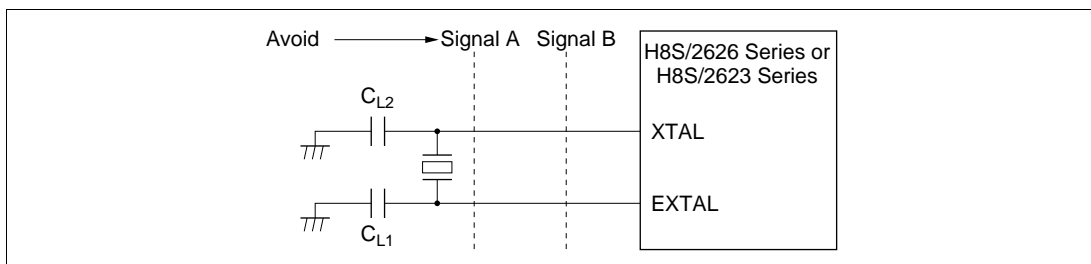
**Table 20-3 Crystal Resonator Parameters**

Frequency (MHz)	4	8	12	16	20
$R_s$ max ( $\Omega$ )	120	80	60	50	40
$C_0$ max (pF)	7	7	7	7	7

**Note on Board Design:** When a crystal resonator is connected, the following points should be noted:

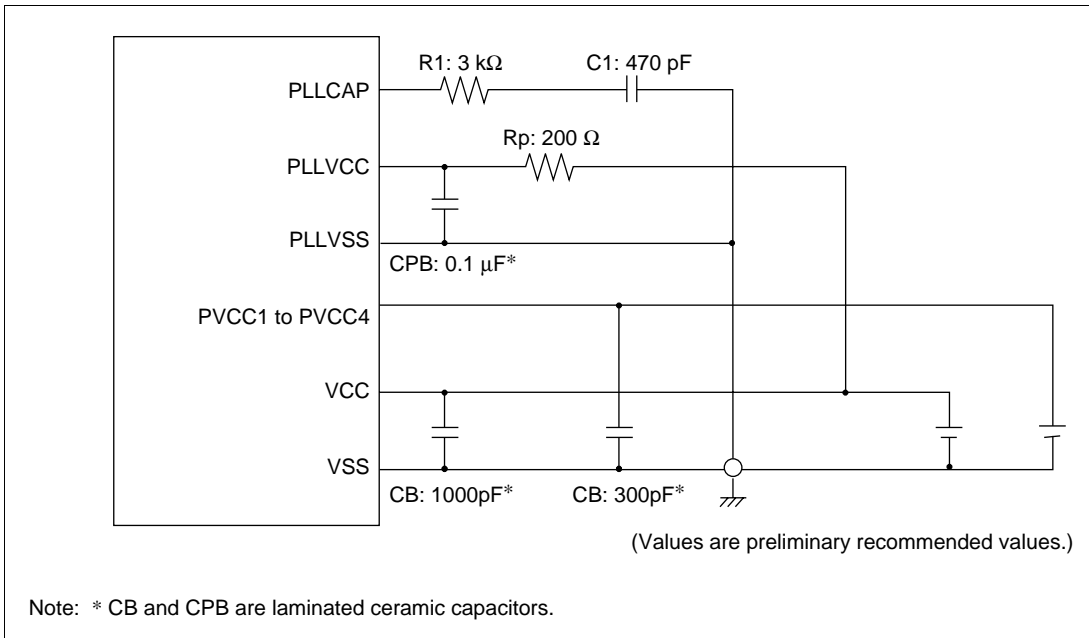
Other signal lines should be routed away from the oscillator circuit to prevent induction from interfering with correct oscillation. See figure 20-4.

When designing the board, place the crystal resonator and its load capacitors as close as possible to the XTAL and EXTAL pins.



**Figure 20-4 Example of Incorrect Board Design**

External circuitry such as that shown below is recommended around the PLL.



**Figure 20-5 Points for Attention when Using PLL Oscillation Circuit**

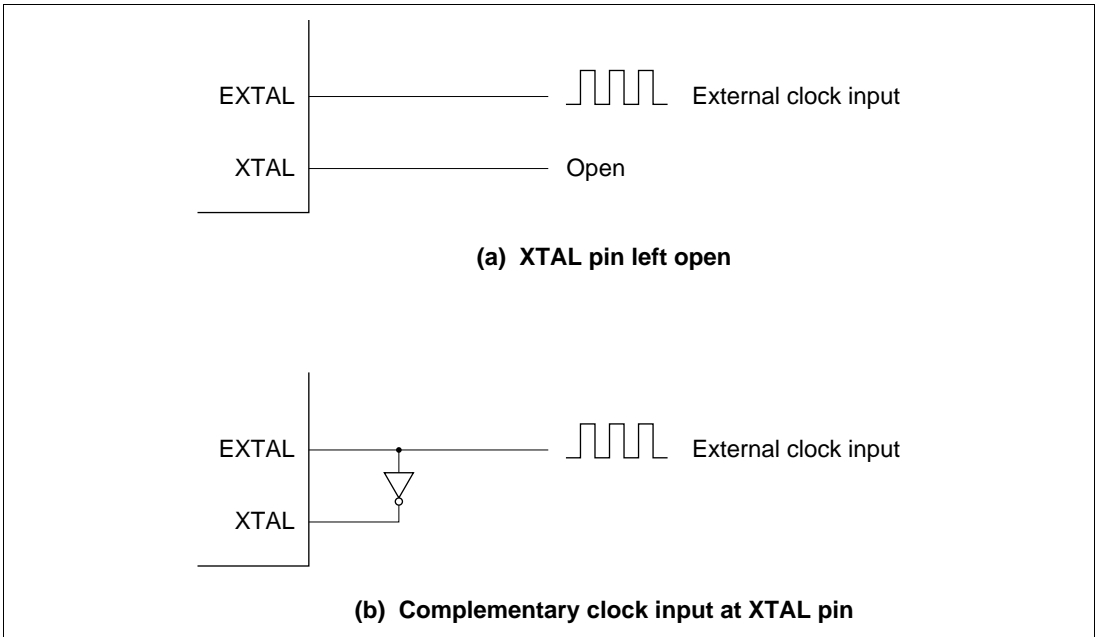
Place oscillation stabilization capacitor C1 and resistor R1 close to the PLLCAP pin, and ensure that no other signal lines cross this line. Supply the C1 ground from PLLVSS.

Separate PLLV<sub>CC</sub> and PLLV<sub>SS</sub> from the other V<sub>CC</sub>/V<sub>SS</sub> and PV<sub>CC</sub>/PV<sub>SS</sub> lines at the board power supply source, and be sure to insert bypass capacitors CPB and CB close to the pins.

### 20.3.2 External Clock Input

**Circuit Configuration:** An external clock signal can be input as shown in the examples in figure 20-6. If the XTAL pin is left open, make sure that stray capacitance is no more than 10 pF.

In example (b), make sure that the external clock is held high in standby mode.



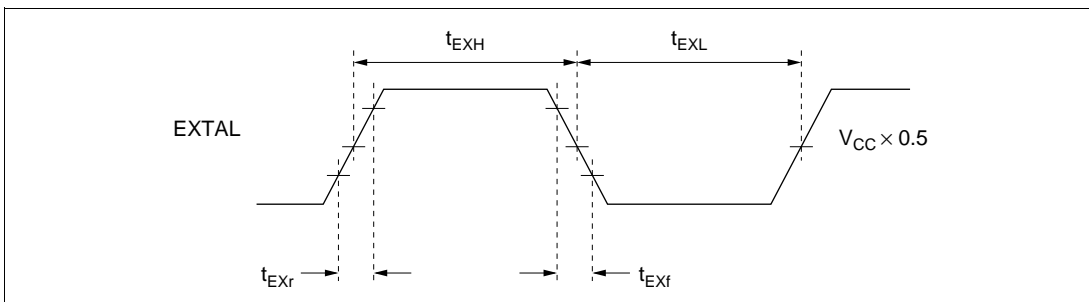
**Figure 20-6 External Clock Input (Examples)**

**External Clock:** Use an external clock frequency of 20 MHz or less.

Table 20-4 and figure 20-7 show the input conditions for the external clock.

**Table 20-4 External Clock Input Conditions**

Item	Symbol	$V_{CC} = 3.0\text{ V to }3.6\text{ V},$ $PV_{CC} = 5.0\text{ V } \pm 10\%$			Unit	Test Conditions
		Min	Max			
External clock input low pulse width	$t_{EXL}$	15	—	ns		Figure 20-7
External clock input high pulse width	$t_{EXH}$	15	—	ns		
External clock rise time	$t_{EXr}$	—	5	ns		
External clock fall time	$t_{EXf}$	—	5	ns		
Clock low pulse width level	$t_{CL}$	0.4	0.6	$t_{cyc}$	$\emptyset \geq 5\text{ MHz}$	Figure 22-2
		80	—	ns	$\emptyset < 5\text{ MHz}$	
Clock high pulse width level	$t_{CH}$	0.4	0.6	$t_{cyc}$	$\emptyset \geq 5\text{ MHz}$	
		80	—	ns	$\emptyset < 5\text{ MHz}$	



**Figure 20-7 External Clock Input Timing**

## 20.4 PLL Circuit

The PLL circuit has the function of multiplying the frequency of the clock from the oscillator by a factor of 1, 2, or 4. The multiplication factor is set with the STC bits in LPWRCR. The phase of the rising edge of the internal clock is controlled so as to match that at the EXTAL pin.

When setting the multiplication factor, ensure that the clock frequency after multiplication does not exceed the maximum operating frequency of the chip.

When the multiplication factor of the PLL circuit is changed, the operation varies according to the setting of the STCS bit in SCKCR.

When  $STCS = 0$  (initial value), the setting becomes valid after a transition to software standby mode. The transition time count is performed in accordance with the setting of bits STS2 to STS0 in SBYCR.

[1] The initial PLL circuit multiplication factor is 1.

[2] A value is set in bits STS2 to STS0 to give the specified transition time.

[3] The target value is set in STC1 and STC0, and a transition is made to software standby mode.

[4] The clock pulse generator stops and the value set in STC1 and STC0 becomes valid.

[5] Software standby mode is cleared, and a transition time is secured in accordance with the setting in STS2 to STS0.

[6] After the set transition time has elapsed, the LSI resumes operation using the target multiplication factor.

If a PC break is set for the SLEEP instruction that causes a transition to software standby mode in [3], software standby mode is entered and break exception handling is executed after the oscillation stabilization time. In this case, the instruction following the SLEEP instruction is executed after execution of the RTE instruction.

When  $STCS = 1$ , the LSI operates on the changed multiplication factor immediately after bits STC1 and STC0 are rewritten.

## 20.5 Medium-Speed Clock Divider

The medium-speed clock divider divides the system clock to generate  $\phi/2$ ,  $\phi/4$ ,  $\phi/8$ ,  $\phi/16$ , and  $\phi/32$ .

## 20.6 Bus Master Clock Selection Circuit

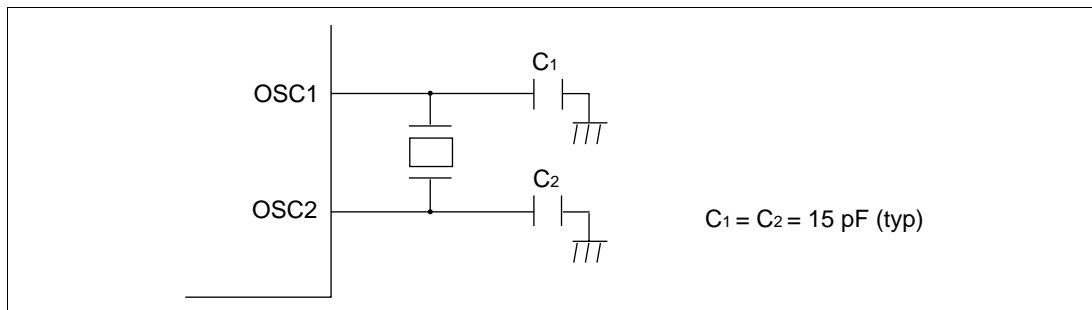
The bus master clock selection circuit selects the system clock ( $\phi$ ) or one of the medium-speed clocks ( $\phi/2$ ,  $\phi/4$ ,  $\phi/8$ ,  $\phi/16$ , and  $\phi/32$ ) to be supplied to the bus master, according to the settings of the SCK2 to SCK0 bits in SCKCR.



## 20.7 Subclock Oscillator (H8S/2626 Series Only)

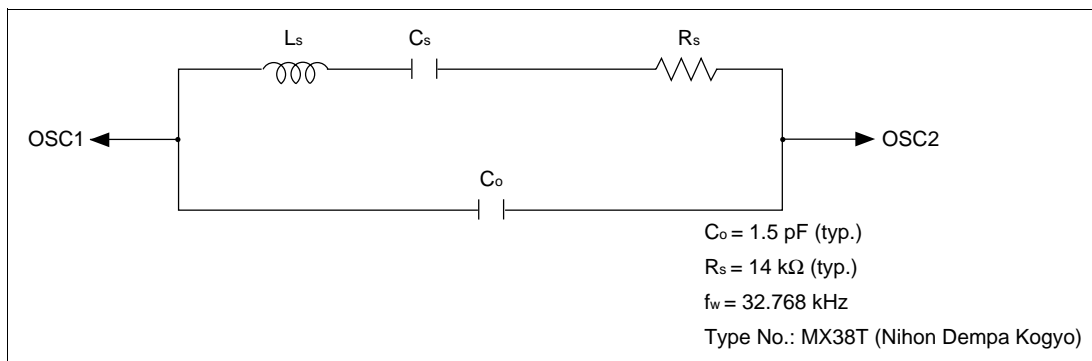
### (1) Connecting 32.768kHz Crystal Oscillator

To supply a clock to the subclock oscillator, connect a 32.768kHz crystal oscillator, as shown in figure 20-8. See section 20.3.1, Note on Board Design for notes on connecting crystal oscillators.



**Figure 20-8 Example Connection of 32.768 kHz Crystal Oscillator**

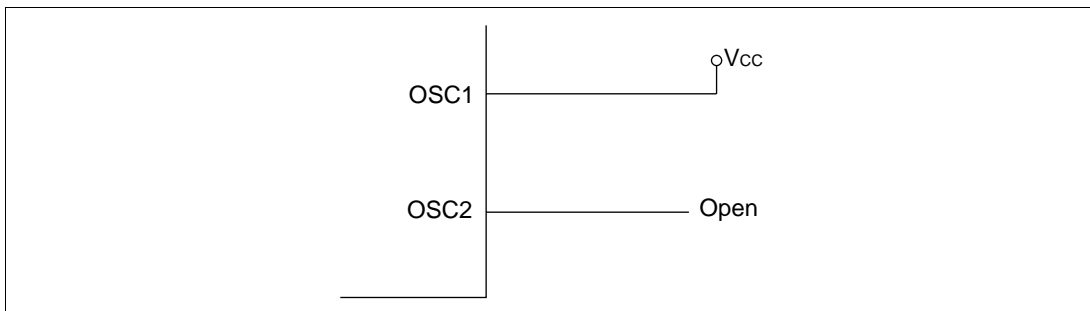
Figure 20-9 shows the equivalence circuit for a 32.768kHz oscillator.



**Figure 20-9 Equivalence Circuit for 32.768 kHz Oscillator**

## (2) Handling pins when subclock not required

If no subclock is required, connect the OSC1 pin to Vcc and leave OSC2 open, as shown in figure 20-10.



**Figure 20-10 Pin Handling When Subclock Not Required**

## 20.8 Subclock Waveform Shaping Circuit (H8S/2626 Series Only)

To eliminate noise from the subclock input to OSC1, the subclock is sampled using the dividing clock  $\phi$ . The sampling frequency is set using the NESEL bit of LPWRCCR. For details, see section 21B.2.3, Low Power Control Register (LPWRCCR).

No sampling is performed in sub-active mode, sub-sleep mode, or watch mode.

## 20.9 Note on Crystal Resonator

Since various characteristics related to the crystal resonator are closely linked to the user's board design, thorough evaluation is necessary on the user's part, for both the mask versions and F-ZTAT versions, using the resonator connection examples shown in this section as a guide. As the resonator circuit ratings will depend on the floating capacitance of the resonator and the mounting circuit, the ratings should be determined in consultation with the resonator manufacturer. The design must ensure that a voltage exceeding the maximum rating is not applied to the oscillator pin.

# Section 21A Power-Down Modes

## [H8S/2623 Series]

Subclock functions are not available in the H8S/2623 Series.

### 21A.1 Overview

In addition to the normal program execution state, the H8S/2623 Series has five power-down modes in which operation of the CPU and oscillator is halted and power dissipation is reduced. Low-power operation can be achieved by individually controlling the CPU, on-chip supporting modules, and so on.

The H8S/2623 operating modes are as follows:

- (1) High-speed mode
- (2) Medium-speed mode
- (3) Sleep mode
- (4) Module stop mode
- (5) Software standby mode
- (6) Hardware standby mode

(2) to (6) are power-down modes. Sleep mode is CPU states, medium-speed mode is a CPU and bus master state, and module stop mode is an internal peripheral function (including bus masters other than the CPU) state. Some of these states can be combined.

After a reset, the LSI is in high-speed mode with modules other than the DTC in module stop mode.

Note: Subclock functions (subactive mode, subsleep mode, and watch mode) are not available in the H8S/2623 Series.

Table 21A-1 shows the internal state of the LSI in the respective modes.

Figure 21A-1 is a mode transition diagram.

**Table 21A-1 LSI Internal States in Each Mode**

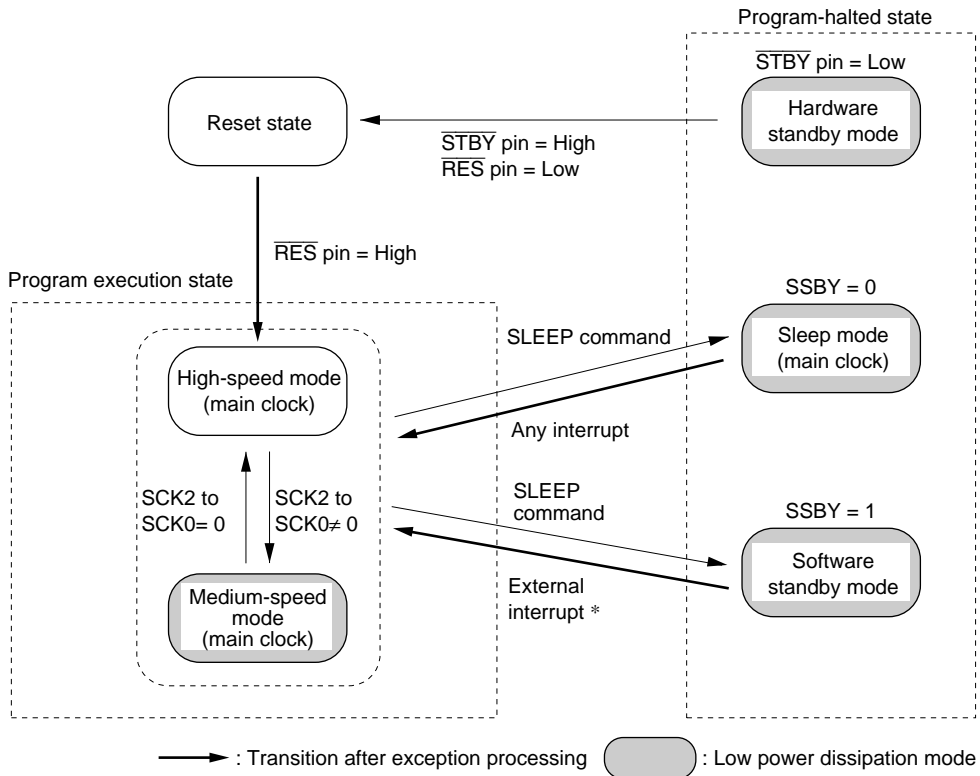
Function		High-Speed	Medium-Speed	Sleep	Module Stop	Software Standby	Hardware Standby
System clock pulse generator		Functioning	Functioning	Functioning	Functioning	Halted	Halted
CPU	Instructions Registers	Functioning	Medium-speed operation	Halted (retained)	High/medium-speed operation	Halted (retained)	Halted (undefined)
External interrupts	NMI	Functioning	Functioning	Functioning	Functioning	Functioning	Halted
	IRQ0–IRQ5						
Peripheral functions	WDT0	Functioning	Functioning	Functioning	—	Halted (retained)	Halted (reset)
	DTC	Functioning	Medium-speed operation	Functioning	Halted (retained)	Halted (retained)	Halted (reset)
	TPU	Functioning	Functioning (PBC medium-speed operation)	Functioning	Halted (retained)	Halted (retained)	Halted (reset)
	PBC						
	PPG						
	SCI0	Functioning	Functioning	Functioning	Halted (reset)	Halted (reset)	Halted (reset)
	SCI1						
	SCI2						
	PWM						
	A/D						
	RAM	Functioning	Functioning	Functioning (DTC)	Functioning	Retained	Retained
	I/O	Functioning	Functioning	Functioning	Functioning	Retained	High impedance
HCAN	Functioning	Functioning*	Functioning	Halted (reset)	Halted (reset)	Halted (reset)	

Notes: “Halted (retained)” means that internal register values are retained. The internal state is “operation suspended.”

“Halted (reset)” means that internal register values and internal states are initialized.

In module stop mode, only modules for which a stop setting has been made are halted (reset or retained).

\* Note, however, that registers cannot be read or written to.



Notes: \* NMI and IRQ0 to IRQ5

- When a transition is made between modes by means of an interrupt, the transition cannot be made on interrupt source generation alone. Ensure that interrupt handling is performed after accepting the interrupt request.
- From any state except hardware standby mode, a transition to the reset state occurs when  $\overline{RES}$  is driven low.
- From any state, a transition to hardware standby mode occurs when  $\overline{STBY}$  is driven low.

**Figure 21A-1 Mode Transition Diagram**

## 21A.1.1 Register Configuration

Power-down modes are controlled by the SBYCR, SCKCR, LPWRCR, and MSTPCR registers. Table 21A-2 summarizes these registers.

**Table 21A-2 Power-Down Mode Registers**

Name	Abbreviation	R/W	Initial Value	Address*
Standby control register	SBYCR	R/W	H'08	H'FDE4
System clock control register	SCKCR	R/W	H'00	H'FDE6
Low power control register	LPWRCR	R/W	H'00	H'FDEC
Module stop control register A, B, C	MSTPCRA	R/W	H'3F	H'FDE8
	MSTPCRB	R/W	H'FF	H'FDE9
	MSTPCRC	R/W	H'FF	H'FDEA

Note: \* Lower 16 bits of the address.

## 21A.2 Register Descriptions

### 21A.2.1 Standby Control Register (SBYCR)

Bit	:	7	6	5	4	3	2	1	0
		SSBY	STS2	STS1	STS0	OPE	—	—	—
Initial value :		0	0	0	0	1	0	0	0
R/W	:	R/W	R/W	R/W	R/W	R/W	—	—	—

SBYCR is an 8-bit readable/writable register that performs power-down mode control.

SBYCR is initialized to H'08 by a reset and in hardware standby mode. It is not initialized in software standby mode.

**Bit 7—Software Standby (SSBY):** When making a low power dissipation mode transition by executing the SLEEP instruction, the operating mode is determined in combination with other control bits.

Note that the value of the SSBY bit does not change even when shifting between modes using interrupts.

**Bit 7**

SSBY	Description
0	Shifts to sleep mode when the SLEEP instruction is executed in high-speed mode or medium-speed mode. (Initial value)
1	Shifts to software standby mode when the SLEEP instruction is executed in high-speed mode or medium-speed mode.

**Bits 6 to 4—Standby Timer Select 2 to 0 (STS2 to STS0):** These bits select the MCU wait time for clock stabilization when shifting to high-speed mode or medium-speed mode by using a specific interrupt or command to cancel software standby mode. With a quartz oscillator (table 21A-4), select a wait time of 8ms (oscillation stabilization time) or more, depending on the operating frequency. With an external clock, there are no specific wait requirements.

Bit 6	Bit 5	Bit 4	Description
STS2	STS1	STS0	
0	0	0	Standby time = 8192 states (Initial value)
		1	Standby time = 16384 states
	1	0	Standby time = 32768 states
		1	Standby time = 65536 states
1	0	0	Standby time = 131072 states
		1	Standby time = 262144 states
	1	0	Reserved
		1	Standby time = 16 states

**Bit 3—Output Port Enable (OPE):** This bit specifies whether the output of the address bus and bus control signals ( $\overline{AS}$ ,  $\overline{RD}$ ,  $\overline{HWR}$ ,  $\overline{LWR}$ ) is retained or set to high-impedance state in the software standby mode.

**Bit 3**

OPE	Description
0	In software standby mode, address bus and bus control signals are high-impedance.
1	In software standby mode, the output state of the address bus and bus control signals is retained. (Initial value)

**Bits 2 to 0—Reserved:** These bits always return 0 when read, and cannot be written to.

## 21A.2.2 System Clock Control Register (SCKCR)

Bit	:	7	6	5	4	3	2	1	0
		PSTOP	—	—	—	STCS	SCK2	SCK1	SCK0
Initial value :		0	0	0	0	0	0	0	0
R/W	:	R/W	—	—	—	R/W	R/W	R/W	R/W

SCKCR is an 8-bit readable/writable register that performs  $\phi$  clock output control and medium-speed mode control.

SCKCR is initialized to H'00 by a reset and in hardware standby mode. It is not initialized in software standby mode.

**Bit 7— $\phi$  Clock Output Disable (PSTOP):** In combination with the DDR of the applicable port, this bit controls  $\phi$  output. See section 21A.8,  $\phi$  Clock Output Disable Function, for details.

### Description

Bit 7	High-Speed Mode, PSTOP	Medium-Speed Mode	Sleep Mode	Software Standby Mode	Hardware Standby Mode
0	$\phi$ output (initial value)		$\phi$ output	Fixed high	High impedance
1	Fixed high		Fixed high	Fixed high	High impedance

**Bits 6 to 4—Reserved:** These bits are always read as 0 and cannot be modified.

**Bit 3—Frequency Multiplication Factor Switching Mode Select (STCS):** Selects the operation when the PLL circuit frequency multiplication factor is changed.

### Bit 3

STCS	Description
0	Specified multiplication factor is valid after transition to software standby mode (Initial value)
1	Specified multiplication factor is valid immediately after STC bits are rewritten



**Bits 2 to 0—System clock select (SCK2 to SCK0):** These bits select the bus master clock in high-speed mode, and medium-speed mode.

Bit 2	Bit 1	Bit 0	Description
SCK2	SCK1	SCK0	
0	0	0	Bus master in high-speed mode (Initial value)
		1	Medium-speed clock is $\phi/2$
	1	0	Medium-speed clock is $\phi/4$
		1	Medium-speed clock is $\phi/8$
1	0	0	Medium-speed clock is $\phi/16$
		1	Medium-speed clock is $\phi/32$
	1	—	—

### 21A.2.3 Low-Power Control Register (LPWRCR)

Bit	:	7	6	5	4	3	2	1	0
		DTON	LSON	NESEL	SUBSTP	RFCUT	—	STC1	STC0
Initial value	:	0	0	0	0	0	0	0	0
R/W	:	R/W	R/W	R/W	R/W	R/W	R/W	R/W	R/W

The LPWRCR is an 8-bit read/write register that controls the low power dissipation modes.

The LPWRCR is initialized to H'00 at a reset and when in hardware standby mode. It is not initialized in software standby mode. The following describes bits 7 to 2. For details of other bits, see section 20.2.2, Low-Power Control Register (LPWRCR).

**Bits 7 to 4—Reserved:** Bits DTON, LSON, NESEL, and SUBSTP must always be written with 0 in the H8S/2623 Series, as this version does not support subclock operation.

**Bit 3—Oscillation Circuit Feedback Resistance Control Bit (RFCUT):** This bit turns the internal feedback resistance of the main clock oscillation circuit ON/OFF.

#### Bit 3

##### RFCUT Description

0	When the main clock is oscillating, sets the feedback resistance ON. When the main clock is stopped, sets the feedback resistance OFF. (Initial value)
1	Sets the feedback resistance OFF.

**Bit 2—Reserved:** Only write 0 to this bit.

## 21A.2.4 Module Stop Control Register (MSTPCR)

### MSTPCRA

Bit	:	7	6	5	4	3	2	1	0
		MSTPA7	MSTPA6	MSTPA5	MSTPA4	MSTPA3	MSTPA2	MSTPA1	MSTPA0
Initial value :		0	0	1	1	1	1	1	1
R/W	:	R/W	R/W	R/W	R/W	R/W	R/W	R/W	R/W

### MSTPCRB

Bit	:	7	6	5	4	3	2	1	0
		MSTPB7	MSTPB6	MSTPB5	MSTPB4	MSTPB3	MSTPB2	MSTPB1	MSTPB0
Initial value :		1	1	1	1	1	1	1	1
R/W	:	R/W	R/W	R/W	R/W	R/W	R/W	R/W	R/W

### MSTPCRC

Bit	:	7	6	5	4	3	2	1	0
		MSTPC7	MSTPC6	MSTPC5	MSTPC4	MSTPC3	MSTPC2	MSTPC1	MSTPC0
Initial value :		1	1	1	1	1	1	1	1
R/W	:	R/W	R/W	R/W	R/W	R/W	R/W	R/W	R/W

MSTPCR, comprising three 8-bit readable/writable registers, performs module stop mode control.

MSTPCRA to MSTPCRC are initialized to H'3FFFFFF by a reset and in hardware standby mode. They are not initialized in software standby mode.

**MSTPCRA/MSTPCRB/MSTPCRC Bits 7 to 0—Module Stop (MSTPA7 to MSTPA0, MSTPB7 to MSTPB0, MSTPC7 to MSTPC0, MSTPD7 and MSTPD6):** These bits specify module stop mode. See table 21A-3 for the method of selecting the on-chip peripheral functions.

#### MSTPCRA/MSTPCRB/ MSTPCRC Bits 7 to 0

#### MSTPA7 to MSTPA0, MSTPB7 to MSTPB0, MSTPC7 to MSTPC0

#### Description

0	Module stop mode is cleared (initial value of MSTPA7 and MSTPA6)
1	Module stop mode is set (initial value of MSTPA5–0, MSTPB7–0, MSTPC7–0)

## 21A.3 Medium-Speed Mode

In high-speed mode, when the SCK2 to SCK0 bits in SCKCR are set to 1, the operating mode changes to medium-speed mode as soon as the current bus cycle ends. In medium-speed mode, the CPU operates on the operating clock ( $\phi/2$ ,  $\phi/4$ ,  $\phi/8$ ,  $\phi/16$ , or  $\phi/32$ ) specified by the SCK2 to SCK0 bits. The bus masters other than the CPU (DTC) also operate in medium-speed mode. On-chip supporting modules other than the bus masters always operate on the high-speed clock ( $\phi$ ).

In medium-speed mode, a bus access is executed in the specified number of states with respect to the bus master operating clock. For example, if  $\phi/4$  is selected as the operating clock, on-chip memory is accessed in 4 states, and internal I/O registers in 8 states.

Medium-speed mode is cleared by clearing all of bits SCK2 to SCK0 to 0. A transition is made to high-speed mode and medium-speed mode is cleared at the end of the current bus cycle.

If a SLEEP instruction is executed when the SSBY bit in SBYCR is cleared to 0, a transition is made to sleep mode. When sleep mode is cleared by an interrupt, medium-speed mode is restored.

When the SLEEP instruction is executed with the SSBY bit = 1, operation shifts to the software standby mode. When software standby mode is cleared by an external interrupt, medium-speed mode is restored.

When the  $\overline{\text{RES}}$  pin is set low and medium-speed mode is cancelled, operation shifts to the reset state. The same applies in the case of a reset caused by overflow of the watchdog timer.

When the  $\overline{\text{STBY}}$  pin is driven low, a transition is made to hardware standby mode.

Figure 21A-2 shows the timing for transition to and clearance of medium-speed mode.

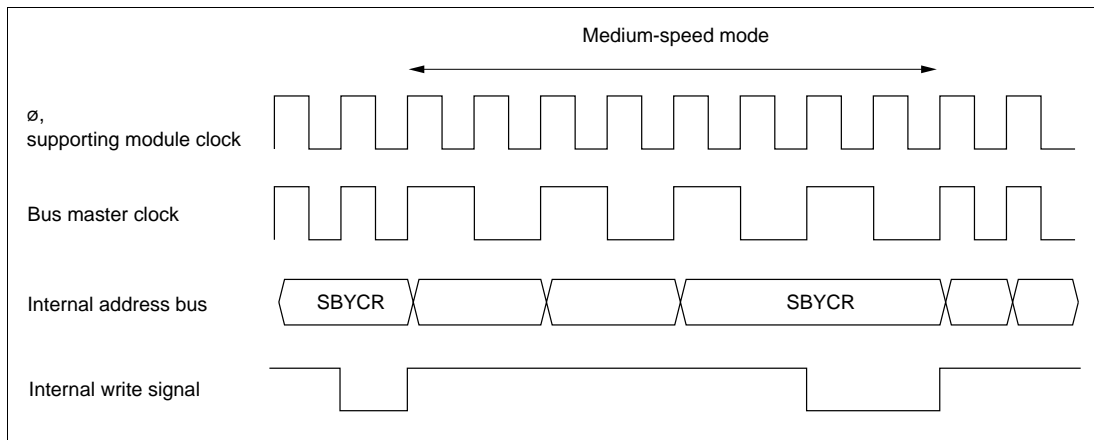


Figure 21A-2 Medium-Speed Mode Transition and Clearance Timing

## 21A.4 Sleep Mode

### 21A.4.1 Sleep Mode

When the SLEEP instruction is executed when the SBYCR SSBY bit = 0, the CPU enters the sleep mode. In sleep mode, CPU operation stops but the contents of the CPU's internal registers are retained. Other supporting modules do not stop.

### 21A.4.2 Exiting Sleep Mode

Sleep mode is exited by any interrupt, or signals at the  $\overline{\text{RES}}$ , or  $\overline{\text{STBY}}$  pins.

**Exiting Sleep Mode by Interrupts:** When an interrupt occurs, sleep mode is exited and interrupt exception processing starts. Sleep mode is not exited if the interrupt is disabled, or interrupts other than NMI are masked by the CPU.

**Exiting Sleep Mode by  $\overline{\text{RES}}$  pin:** Setting the  $\overline{\text{RES}}$  pin level Low selects the reset state. After the stipulated reset input duration, driving the  $\overline{\text{RES}}$  pin High starts the CPU performing reset exception processing.

**Exiting Sleep Mode by  $\overline{\text{STBY}}$  Pin:** When the  $\overline{\text{STBY}}$  pin level is driven Low, a transition is made to hardware standby mode.

## 21A.5 Module Stop Mode

### 21A.5.1 Module Stop Mode

Module stop mode can be set for individual on-chip supporting modules.

When the corresponding MSTP bit in MSTPCR is set to 1, module operation stops at the end of the bus cycle and a transition is made to module stop mode. The CPU continues operating independently.

Table 21A-3 shows MSTP bits and the corresponding on-chip supporting modules.

When the corresponding MSTP bit is cleared to 0, module stop mode is cleared and the module starts operating at the end of the bus cycle. In module stop mode, the internal states of modules other than the SCI, A/D converter and HCAN are retained.

After reset clearance, all modules other than DTC are in module stop mode.

When an on-chip supporting module is in module stop mode, read/write access to its registers is disabled.

**Table 21A-3 MSTP Bits and Corresponding On-Chip Supporting Modules**

<b>Register</b>	<b>Bit</b>	<b>Module</b>
MSTPCRA	MSTPA7*	
	MSTPA6	Data transfer controller (DTC)
	MSTPA5	16-bit timer pulse unit (TPU)
	MSTPA4*	
	MSTPA3	Programmable pulse generator (PPG)
	MSTPA2*	
	MSTPA1	A/D converter
	MSTPA0*	
MSTPCRB	MSTPB7	Serial communication interface 0 (SCI0)
	MSTPB6	Serial communication interface 1 (SCI1)
	MSTPB5	Serial communication interface 2 (SCI2)
	MSTPB4*	
	MSTPB3*	
	MSTPB2*	
	MSTPB1*	
	MSTPB0*	
MSTPCRC	MSTPC7*	
	MSTPC6*	
	MSTPC5*	
	MSTPC4	PC break controller (PBC)
	MSTPC3	HCAN
	MSTPC2*	
	MSTPC1*	
	MSTPC0*	

Note: \* MSTPA7 is a readable/writable bit with an initial value of 0.

MSTPA4, MSTPA2, MSTPA0, MSTPB4 to MSTPB0, MSTPC7 to MSTPC5, and MSTPC2 to MSTPC0 are readable/writable bits with an initial value of 1 and should always be written with 1.

## 21A.5.2 Usage Notes

**DTC Module Stop:** Depending on the operating status of the DTC, the MSTPA7 and MSTPA6 bits may not be set to 1. Setting of the DTC module stop mode should be carried out only when the respective module is not activated.

For details, refer to section 8, Data Transfer Controller (DTC).

**On-Chip Supporting Module Interrupt:** Relevant interrupt operations cannot be performed in module stop mode. Consequently, if module stop mode is entered when an interrupt has been requested, it will not be possible to clear the CPU interrupt source or the DTC activation source. Interrupts should therefore be disabled before entering module stop mode.

**Writing to MSTPCR:** MSTPCR should only be written to by the CPU.

## 21A.6 Software Standby Mode

### 21A.6.1 Software Standby Mode

A transition is made to software standby mode when the SLEEP instruction is executed when the SBYCR SSBY bit = 1. In this mode, the CPU, on-chip supporting modules, and oscillator all stop. However, the contents of the CPU's internal registers, RAM data, and the states of on-chip supporting modules other than the SCI, A/D converter, HCAN and I/O ports, are retained. Whether the address bus and bus control signals are placed in the high-impedance state or retain the output state can be specified by the OPE bit in SBYCR.

In this mode the oscillator stops, and therefore power dissipation is significantly reduced.

### 21A.6.2 Clearing Software Standby Mode

Software standby mode is cleared by an external interrupt (NMI pin, or pins  $\overline{\text{IRQ0}}$  to  $\overline{\text{IRQ5}}$ ), or by means of the  $\overline{\text{RES}}$  pin or  $\overline{\text{STBY}}$  pin.

- Clearing with an interrupt

When an NMI or IRQ0 to IRQ5 interrupt request signal is input, clock oscillation starts, and after the elapse of the time set in bits STS2 to STS0 in SYSCR, stable clocks are supplied to the entire chip, software standby mode is cleared, and interrupt exception handling is started.

When clearing software standby mode with an IRQ0 to IRQ5 interrupt, set the corresponding enable bit to 1 and ensure that no interrupt with a higher priority than interrupts IRQ0 to IRQ5 is generated. Software standby mode cannot be cleared if the interrupt has been masked on the CPU side or has been designated as a DTC activation source.

- Clearing with the  $\overline{\text{RES}}$  pin

When the  $\overline{\text{RES}}$  pin is driven low, clock oscillation is started. At the same time as clock oscillation starts, clocks are supplied to the entire chip. Note that the  $\overline{\text{RES}}$  pin must be held low until clock oscillation stabilizes. When the  $\overline{\text{RES}}$  pin goes high, the CPU begins reset exception handling.

- Clearing with the  $\overline{\text{STBY}}$  pin

When the  $\overline{\text{STBY}}$  pin is driven low, a transition is made to hardware standby mode.

### 21A.6.3 Setting Oscillation Stabilization Time after Clearing Software Standby Mode

Bits STS2 to STS0 in SBYCR should be set as described below.

**Using a Crystal Oscillator:** Set bits STS2 to STS0 so that the standby time is at least 8 ms (the oscillation stabilization time).

Table 21A-4 shows the standby times for different operating frequencies and settings of bits STS2 to STS0.

**Table 21A-4 Oscillation Stabilization Time Settings**

STS2	STS1	STS0	Standby Time	20 MHz	16 MHz	12 MHz	10 MHz	8 MHz	6 MHz	4 MHz	Unit
0	0	0	8192 states	0.41	0.51	0.68	0.8	1.0	1.3	2.0	ms
		1	16384 states	0.82	1.0	1.3	1.6	2.0	2.7	4.1	
	1	0	32768 states	1.6	2.0	2.7	3.3	4.1	5.5	8.2	
		1	65536 states	3.3	4.1	5.5	6.6	8.2	10.9	16.4	
1	0	0	131072 states	6.6	8.2	10.9	13.1	16.4	21.8	32.8	
		1	262144 states	13.1	16.4	21.8	26.2	32.8	43.6	65.6	
	1	0	Reserved	—	—	—	—	—	—	—	μs
		1	16 states*	0.8	1.0	1.3	1.6	2.0	1.7	4.0	

  : Recommended time setting

Note: \* Do not use this setting.

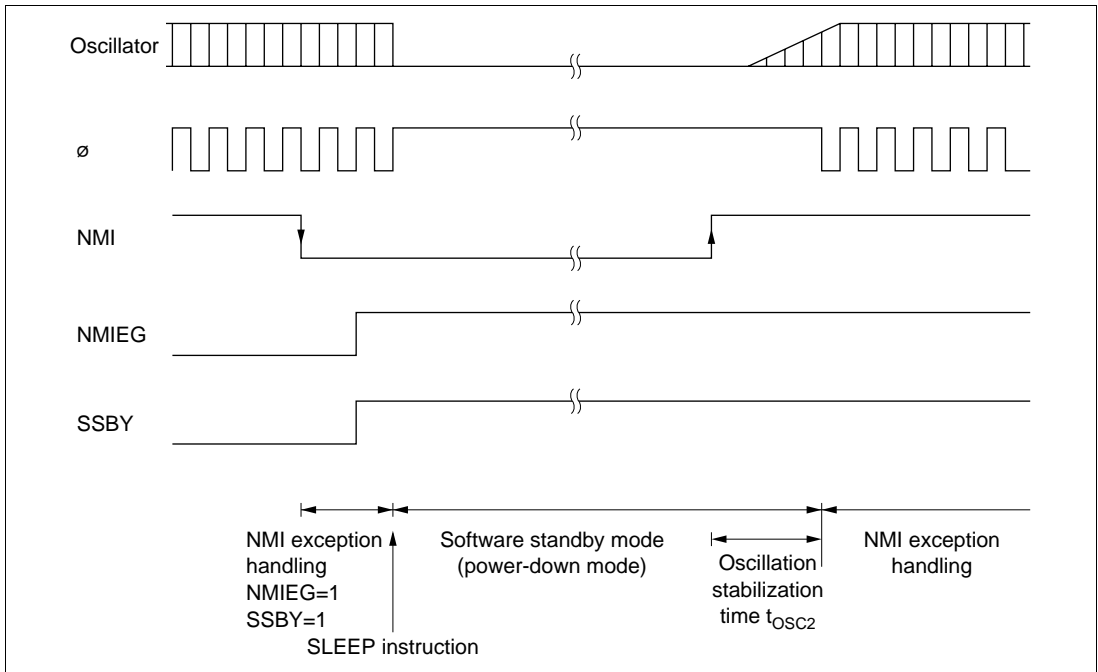
**Using an External Clock:** It is necessary to allow time for the PLL circuit to stabilize. Therefore, the standby time should be set to a value of 2 ms or greater.

### 21A.6.4 Software Standby Mode Application Example

Figure 21A-3 shows an example in which a transition is made to software standby mode at the falling edge on the NMI pin, and software standby mode is cleared at the rising edge on the NMI pin.

In this example, an NMI interrupt is accepted with the NMIEG bit in SYSCR cleared to 0 (falling edge specification), then the NMIEG bit is set to 1 (rising edge specification), the SSBY bit is set to 1, and a SLEEP instruction is executed, causing a transition to software standby mode.

Software standby mode is then cleared at the rising edge on the NMI pin.



**Figure 21A-3 Software Standby Mode Application Example**



## 21A.6.5 Usage Notes

**I/O Port Status:** In software standby mode, I/O port states are retained. If the OPE bit is set to 1, the address bus and bus control signal output is also retained. Therefore, there is no reduction in current dissipation for the output current when a high-level signal is output.

**Current Dissipation during Oscillation Stabilization Wait Period:** Current dissipation increases during the oscillation stabilization wait period.

**Write Data Buffer Function:** The write data buffer function and software standby mode cannot be used at the same time. When the write data buffer function is used, the WDBE bit in BCRL should be cleared to 0 to cancel the write data buffer function before entering software standby mode. Also check that external writes have finished, by reading external addresses, etc., before executing a SLEEP instruction to enter software standby mode. See section 7.7, Write Data Buffer Function, for details of the write data buffer function.

## 21A.7 Hardware Standby Mode

### 21A.7.1 Hardware Standby Mode

When the  $\overline{\text{STBY}}$  pin is driven low, a transition is made to hardware standby mode from any mode.

In hardware standby mode, all functions enter the reset state and stop operation, resulting in a significant reduction in power dissipation. As long as the prescribed voltage is supplied, on-chip RAM data is retained. I/O ports are set to the high-impedance state.

In order to retain on-chip RAM data, the RAME bit in SYSCR should be cleared to 0 before driving the  $\overline{\text{STBY}}$  pin low.

Do not change the state of the mode pins (MD2 to MD0) while the H8S/2623 Series is in hardware standby mode.

Hardware standby mode is cleared by means of the  $\overline{\text{STBY}}$  pin and the  $\overline{\text{RES}}$  pin. When the  $\overline{\text{STBY}}$  pin is driven high while the  $\overline{\text{RES}}$  pin is low, the reset state is set and clock oscillation is started. Ensure that the  $\overline{\text{RES}}$  pin is held low until the clock oscillator stabilizes (at least 8 ms—the oscillation stabilization time—when using a crystal oscillator). When the  $\overline{\text{RES}}$  pin is subsequently driven high, a transition is made to the program execution state via the reset exception handling state.

## 21A.7.2 Hardware Standby Mode Timing

Figure 21A-4 shows an example of hardware standby mode timing.

When the  $\overline{\text{STBY}}$  pin is driven low after the  $\overline{\text{RES}}$  pin has been driven low, a transition is made to hardware standby mode. Hardware standby mode is cleared by driving the  $\overline{\text{STBY}}$  pin high, waiting for the oscillation stabilization time, then changing the  $\overline{\text{RES}}$  pin from low to high.

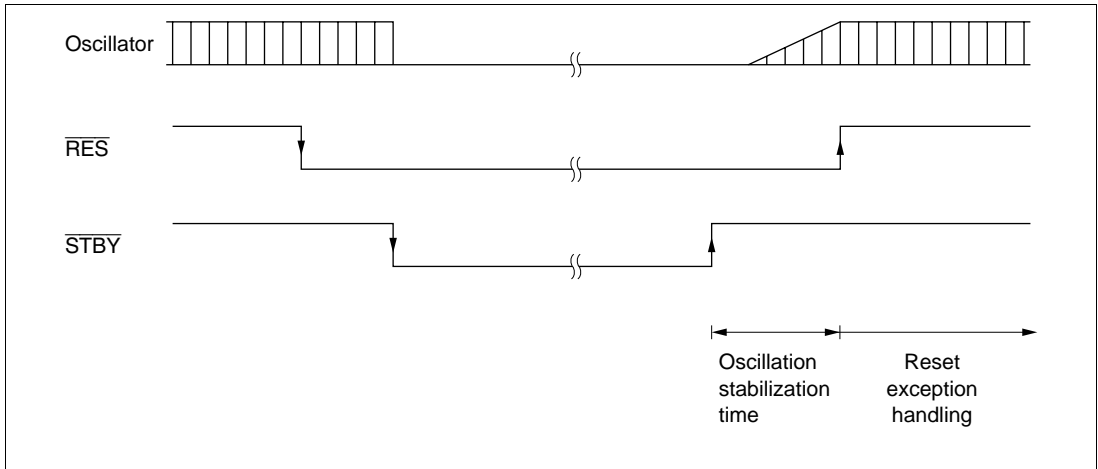


Figure 21A-4 Hardware Standby Mode Timing

## 21A.8 $\phi$ Clock Output Disabling Function

Output of the  $\phi$  clock can be controlled by means of the PSTOP bit in SCKCR, and DDR for the corresponding port. When the PSTOP bit is set to 1, the  $\phi$  clock stops at the end of the bus cycle, and  $\phi$  output goes high.  $\phi$  clock output is enabled when the PSTOP bit is cleared to 0. When DDR for the corresponding port is cleared to 0,  $\phi$  clock output is disabled and input port mode is set. Table 21A-5 shows the state of the  $\phi$  pin in each processing state.

Table 21A-5  $\phi$  Pin State in Each Processing State

DDR	0	1	1
PSTOP	—	0	1
Hardware standby mode	High impedance	High impedance	High impedance
Software standby	High impedance	Fixed high	Fixed high
Sleep mode	High impedance	$\phi$ output	Fixed high
High-speed mode, medium-speed mode	High impedance	$\phi$ output	Fixed high

# Section 21B Power-Down Modes [H8S/2626 Series]

## 21B.1 Overview

In addition to the normal program execution state, the H8S/2626 Series has nine power-down modes in which operation of the CPU and oscillator is halted and power dissipation is reduced. Low-power operation can be achieved by individually controlling the CPU, on-chip supporting modules, and so on.

The H8S/2626 operating modes are as follows:

- (1) High-speed mode
- (2) Medium-speed mode
- (3) Subactive mode\*
- (4) Sleep mode
- (5) Subsleep mode\*
- (6) Watch mode\*
- (7) Module stop mode
- (8) Software standby mode
- (9) Hardware standby mode

(2) to (9) are power-down modes. Sleep mode and sub-sleep mode are CPU states, medium-speed mode is a CPU and bus master state, sub-active mode is a CPU and bus master and internal peripheral function state, and module stop mode is an internal peripheral function (including bus masters other than the CPU) state. Some of these states can be combined.

After a reset, the LSI is in high-speed mode with modules other than the DTC in module stop mode.

Note: \* Subclock functions are available in the H8S/2626 Series.

See section 20.7, Subclock Oscillator, for the method of fixing pins OSC1 and OSC2 when not used.

Table 21B-1 shows the internal state of the LSI in the respective modes. Table 21B-2 shows the conditions for shifting between the low power dissipation modes.

Figure 21B-1 is a mode transition diagram.

**Table 21B-1 LSI Internal States in Each Mode**

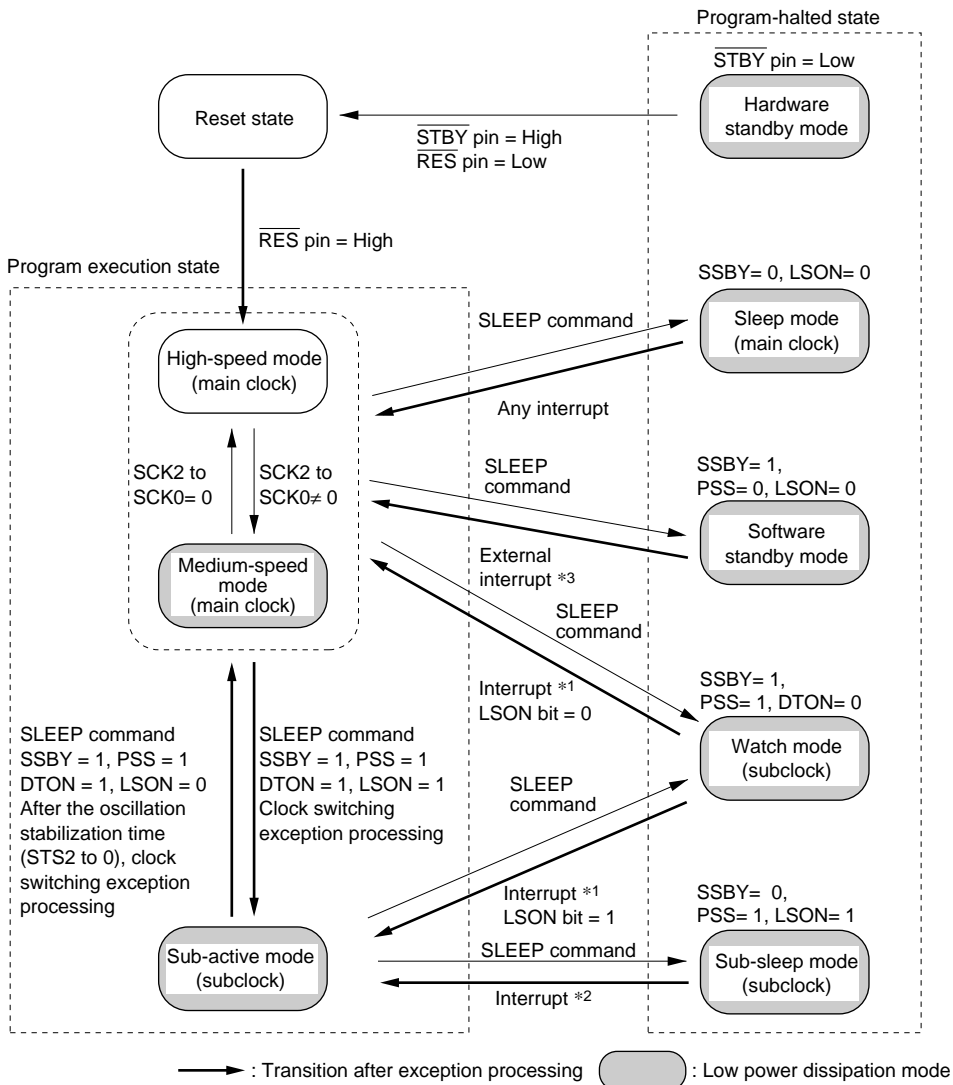
Function	High-Speed	Medium-Speed	Sleep	Module Stop	Watch	Sub-active	Subsleep	Software Standby	Hardware Standby	
System clock pulse generator	Functioning	Functioning	Functioning	Functioning	Halted	Halted	Halted	Halted	Halted	
Subclock pulse generator	Functioning	Functioning	Functioning	Functioning	Functioning	Functioning	Functioning	Functioning	Halted	
CPU	Instructions Registers	Functioning	Medium-speed operation	Halted (retained)	High/medium-speed operation	Halted (retained)	Subclock operation	Halted (retained)	Halted (retained)	Halted (undefined)
External interrupts	NMI IRQ0–IRQ5	Functioning	Functioning	Functioning	Functioning	Functioning	Functioning	Functioning	Functioning	Halted
Peripheral functions	WDT1	Functioning	Functioning	Functioning	—	Subclock operation	Subclock operation	Subclock operation	Halted (retained)	Halted (reset)
	WDT0	Functioning	Functioning	Functioning	—	Halted (retained)	Subclock operation	Subclock operation	Halted (retained)	Halted (reset)
	DTC	Functioning	Medium-speed operation	Functioning	Halted (retained)	Halted (retained)	Halted (retained)	Halted (retained)	Halted (retained)	Halted (reset)
	TPU PBC PPG D/A2, 3	Functioning	Functioning (PBC medium-speed operation)	Functioning	Halted (retained)	Halted (retained)	Halted (retained) (PBC subclock operation)	Halted (retained)	Halted (retained)	Halted (reset)
SCI0 SCI1 SCI2 PWM A/D	Functioning	Functioning	Functioning	Halted (reset)	Halted (reset)	Halted (reset)	Halted (reset)	Halted (reset)	Halted (reset)	
RAM	Functioning	Functioning	Functioning (DTC)	Functioning	Retained	Functioning	Retained	Retained	Retained	
I/O	Functioning	Functioning	Functioning	Functioning	Retained	Functioning	Retained	Retained	High impedance	
HCAN	Functioning	Functioning*	Functioning	Halted (reset)	Halted (reset)	Halted (reset)	Halted (reset)	Halted (reset)	Halted (reset)	

Notes: “Halted (retained)” means that internal register values are retained. The internal state is “operation suspended.”

“Halted (reset)” means that internal register values and internal states are initialized.

In module stop mode, only modules for which a stop setting has been made are halted (reset or retained).

\* Note, however, that registers cannot be read or written to.



Notes: \*1 NMI, IRQ0 to IRQ5, and WDT1 interrupts  
 \*2 NMI, IRQ0 to IRQ5, WDT0 interrupts, and WDT1 interrupt.  
 \*3 NMI and IRQ0 to IRQ5

- When a transition is made between modes by means of an interrupt, the transition cannot be made on interrupt source generation alone. Ensure that interrupt handling is performed after accepting the interrupt request.
- From any state except hardware standby mode, a transition to the reset state occurs when  $\overline{RES}$  is driven Low.
- From any state, a transition to hardware standby mode occurs when  $\overline{STBY}$  is driven low.
- Always select high-speed mode before making a transition to watch mode or sub-active mode.

**Figure 21B-1 Mode Transition Diagram**

**Table 21B-2 Low Power Dissipation Mode Transition Conditions**

Pre-Transition State	Status of Control Bit at Transition				State After Transition Invoked by SLEEP Command	State After Transition Back from Low Power Mode Invoked by Interrupt
	SSBY	PSS	LSON	DTON		
High-speed/ Medium-speed	0	*	0	*	Sleep	High-speed/Medium-speed
	0	*	1	*	—	—
	1	0	0	*	Software standby	High-speed/Medium-speed
	1	0	1	*	—	—
	1	1	0	0	Watch	High-speed
	1	1	1	0	Watch	Sub-active
	1	1	0	1	—	—
	1	1	1	1	Sub-active	—
Sub-active	0	0	*	*	—	—
	0	1	0	*	—	—
	0	1	1	*	Sub-sleep	Sub-active
	1	0	*	*	—	—
	1	1	0	0	Watch	High-speed
	1	1	1	0	Watch	Sub-active
	1	1	0	1	High-speed	—
	1	1	1	1	—	—

—: Do not set.

\* : Don't care

## 21B.1.1 Register Configuration

Power-down modes are controlled by the SBYCR, SCKCR, LPWRCCR, TCSR (WDT1), and MSTPCR registers. Table 21B-3 summarizes these registers.

**Table 21B-3 Power-Down Mode Registers**

<b>Name</b>	<b>Abbreviation</b>	<b>R/W</b>	<b>Initial Value</b>	<b>Address*</b>
Standby control register	SBYCR	R/W	H'08	H'FDE4
System clock control register	SCKCR	R/W	H'00	H'FDE6
Low-power control register	LPWRCCR	R/W	H'00	H'FDEC
Timer control/status register	TCSR	R/W	H'00	H'FFA2
Module stop control register A, B, C	MSTPCRA	R/W	H'3F	H'FDE8
	MSTPCRB	R/W	H'FF	H'FDE9
	MSTPCRC	R/W	H'FF	H'FDEA

Note: \* Lower 16 bits of the address.

## 21B.2 Register Descriptions

### 21B.2.1 Standby Control Register (SBYCR)

Bit	:	7	6	5	4	3	2	1	0
		SSBY	STS2	STS1	STS0	OPE	—	—	—
Initial value :		0	0	0	0	1	0	0	0
R/W	:	R/W	R/W	R/W	R/W	R/W	—	—	—

SBYCR is an 8-bit readable/writable register that performs power-down mode control.

SBYCR is initialized to H'08 by a reset and in hardware standby mode. It is not initialized in software standby mode.

**Bit 7—Software Standby (SSBY):** When making a low power dissipation mode transition by executing the SLEEP instruction, the operating mode is determined in combination with other control bits.

Note that the value of the SSBY bit does not change even when shifting between modes using interrupts.

#### Bit 7

SSBY	Description
0	Shifts to sleep mode when the SLEEP instruction is executed in high-speed mode or medium-speed mode. Shifts to sub-sleep mode when the SLEEP instruction is executed in sub-active mode. (Initial value)
1	Shifts to software standby mode, sub-active mode, and watch mode when the SLEEP instruction is executed in high-speed mode or medium-speed mode. Shifts to watch mode or high-speed mode when the SLEEP instruction is executed in sub-active mode.



**Bits 6 to 4—Standby Timer Select 2 to 0 (STS2 to STS0):** These bits select the MCU wait time for clock stabilization when shifting to high-speed mode or medium-speed mode by using a specific interrupt or command to cancel software standby mode, watch mode, or sub-active mode. With a quartz oscillator (table 21B-5), select a wait time of 8ms (oscillation stabilization time) or more, depending on the operating frequency. With an external clock, there are no specific wait requirements.

Bit 6	Bit 5	Bit 4	Description
STS2	STS1	STS0	
0	0	0	Standby time = 8192 states (Initial value)
		1	Standby time = 16384 states
	1	0	Standby time = 32768 states
		1	Standby time = 65536 states
1	0	0	Standby time = 131072 states
		1	Standby time = 262144 states
	1	0	Reserved
		1	Standby time = 16 states

**Bit 3—Output Port Enable (OPE):** This bit specifies whether the output of the address bus and bus control signals ( $\overline{AS}$ ,  $\overline{RD}$ ,  $\overline{HWR}$ ,  $\overline{LWR}$ ) is retained or set to high-impedance state in the software standby mode, watch mode, and when making a direct transition.

#### Bit 3

OPE	Description
0	In software standby mode, watch mode, and when making a direct transition, address bus and bus control signals are high-impedance.
1	In software standby mode, watch mode, and when making a direct transition, the output state of the address bus and bus control signals is retained. (Initial value)

**Bits 2 to 0—Reserved:** These bits always return 0 when read, and cannot be written to.

## 21B.2.2 System Clock Control Register (SCKCR)

Bit	:	7	6	5	4	3	2	1	0
		PSTOP	—	—	—	STCS	SCK2	SCK1	SCK0
Initial value :		0	0	0	0	0	0	0	0
R/W	:	R/W	—	—	—	R/W	R/W	R/W	R/W

SCKCR is an 8-bit readable/writable register that performs  $\phi$  clock output control and medium-speed mode control.

SCKCR is initialized to H'00 by a reset and in hardware standby mode. It is not initialized in software standby mode.

**Bit 7— $\phi$  Clock Output Disable (PSTOP):** In combination with the DDR of the applicable port, this bit controls  $\phi$  output. See section 21B.12,  $\phi$  Clock Output Disable Function for details.

### Description

Bit 7	High-Speed Mode, Medium-Speed Mode, Sub-Active Mode	Sleep Mode, Sub-Sleep Mode	Software Standby Mode, Watch Mode, Direct Transition	Hardware Standby Mode
PSTOP	$\phi$ output (initial value)	$\phi$ output	Fixed high	High impedance
0	$\phi$ output (initial value)	$\phi$ output	Fixed high	High impedance
1	Fixed high	Fixed high	Fixed high	High impedance

**Bits 6 to 4—Reserved:** These bits are always read as 0 and cannot be modified.

**Bit 3—Frequency Multiplication Factor Switching Mode Select (STCS):** Selects the operation when the PLL circuit frequency multiplication factor is changed.

### Bit 3

STCS	Description
0	Specified multiplication factor is valid after transition to software standby mode, watch mode, or subactive mode (Initial value)
1	Specified multiplication factor is valid immediately after STC bits are rewritten

**Bits 2 to 0—System clock select (SCK2 to SCK0):** These bits select the bus master clock in high-speed mode, medium-speed mode, and sub-active mode.

Set SCK2 to SCK0 all to 0 when shifting to operation in watch mode or sub-active mode.

Bit 2	Bit 1	Bit 0	Description
SCK2	SCK1	SCK0	
0	0	0	Bus master in high-speed mode (Initial value)
		1	Medium-speed clock is $\phi/2$
	1	0	Medium-speed clock is $\phi/4$
		1	Medium-speed clock is $\phi/8$
1	0	0	Medium-speed clock is $\phi/16$
		1	Medium-speed clock is $\phi/32$
	1	—	—

### 21B.2.3 Low-Power Control Register (LPWRCR)

Bit	:	7	6	5	4	3	2	1	0
		DTON	LSON	NESEL	SUBSTP	RFCUT	—	STC1	STC0
Initial value :		0	0	0	0	0	0	0	0
R/W	:	R/W	R/W	R/W	R/W	R/W	R/W	R/W	R/W

The LPWRCR is an 8-bit read/write register that controls the low power dissipation modes.

The LPWRCR is initialized to H'00 at a reset and when in hardware standby mode. It is not initialized in software standby mode. The following describes bits 7 to 2. For details of other bits, see section 20.2.2, Low-Power Control Register (LPWRCR).

**Bit 7—Direct Transition ON Flag (DTON):** When shifting to low power dissipation mode by executing the SLEEP instruction, this bit specifies whether or not to make a direct transition between high-speed mode or medium-speed mode and the sub-active modes. The selected operating mode after executing the SLEEP instruction is determined by the combination of other control bits.

## Bit 7

DTON	Description
0	<ul style="list-style-type: none"><li>When the SLEEP instruction is executed in high-speed mode or medium-speed mode, operation shifts to sleep mode, software standby mode, or watch mode*.</li><li>When the SLEEP instruction is executed in sub-active mode, operation shifts to sub-sleep mode or watch mode. (Initial value)</li></ul>
1	<ul style="list-style-type: none"><li>When the SLEEP instruction is executed in high-speed mode or medium-speed mode, operation shifts directly to sub-active mode*, or shifts to sleep mode or software standby mode.</li><li>When the SLEEP instruction is executed in sub-active mode, operation shifts directly to high-speed mode, or shifts to sub-sleep mode.</li></ul>

Note: \* Always set high-speed mode when shifting to watch mode or sub-active mode.

**Bit 6—Low-Speed ON Flag (LSON):** When shifting to low power dissipation mode by executing the SLEEP instruction, this bit specifies the operating mode, in combination with other control bits. This bit also controls whether to shift to high-speed mode or sub-active mode when watch mode is cancelled.

## Bit 6

LSON	Description
0	<ul style="list-style-type: none"><li>When the SLEEP instruction is executed in high-speed mode or medium-speed mode, operation shifts to sleep mode, software standby mode, or watch mode*.</li><li>When the SLEEP instruction is executed in sub-active mode, operation shifts to watch mode or shifts directly to high-speed mode.</li><li>Operation shifts to high-speed mode when watch mode is cancelled. (Initial value)</li></ul>
1	<ul style="list-style-type: none"><li>When the SLEEP instruction is executed in high-speed mode, operation shifts to watch mode or sub-active mode.</li><li>When the SLEEP instruction is executed in sub-active mode, operation shifts to sub-sleep mode or watch mode.</li><li>Operation shifts to sub-active mode when watch mode is cancelled.</li></ul>

Note: \* Always set high-speed mode when shifting to watch mode or sub-active mode.

**Bit 5—Noise Elimination Sampling Frequency Select (NESEL):** This bit selects the sampling frequency of the subclock ( $\phi$ SUB) generated by the subclock oscillator is sampled by the clock ( $\phi$ ) generated by the system clock oscillator. Set this bit to 0 when  $\phi=5\text{MHz}$  or more.

#### Bit 5

NESEL	Description	
0	Sampling using $1/32 \times \phi$	(Initial value)
1	Sampling using $1/4 \times \phi$	

**Bit 4—Subclock enable (SUBSTP):** This bit enables/disables subclock generation.

#### Bit 4

SUBSTP	Description	
0	Enables subclock generation	(Initial value)
1	Disables subclock generation	

**Bit 3—Oscillation Circuit Feedback Resistance Control Bit (RFCUT):** This bit turns the internal feedback resistance of the main clock oscillation circuit ON/OFF.

#### Bit 3

RFCUT	Description	
0	When the main clock is oscillating, sets the feedback resistance ON. When the main clock is stopped, sets the feedback resistance OFF.	(Initial value)
1	Sets the feedback resistance OFF.	

**Bit 2—Reserved:** Only write 0 to this bit.

### 21B.2.4 Timer Control/Status Register (TCSR)

Bit	7	6	5	4	3	2	1	0
	OVF	WT/ $\bar{IT}$	TME	PSS	RST/ $\bar{NMI}$	CKS2	CKS1	CKS0
Initial value :	0	0	0	0	0	0	0	0
R/W :	R/(W)*	R/W	R/W	R/W	R/W	R/W	R/W	R/W

Note: \* Only write 0 to clear the flag.

TCSR is an 8-bit read/write register that selects the clock input to WDT1 TCNT and the mode.

Here, we describe bit 4. For details of the other bits in this register, see section 12.2.2, Timer Control/Status Register (TCSR).

The TCSR is initialized to H'00 at a reset and when in hardware standby mode. It is not initialized in software standby mode.

**Bit 4—Prescaler select (PSS):** This bit selects the clock source input to WDT1 TCNT.

It also controls operation when shifting low power dissipation modes. The operating mode selected after the SLEEP instruction is executed is determined in combination with other control bits.

For details, see the description for clock selection in section 12.2.2, Timer Control/Status Register (TCSR), and this section.

#### **Bit 4**

<b>PSS</b>	<b>Description</b>
0	<ul style="list-style-type: none"><li>• TCNT counts the divided clock from the <math>\emptyset</math>-based prescaler (PSM).</li><li>• When the SLEEP instruction is executed in high-speed mode or medium-speed mode, operation shifts to sleep mode or software standby mode. (Initial value)</li></ul>
1	<ul style="list-style-type: none"><li>• TCNT counts the divided clock from the <math>\emptyset</math>subclock-based prescaler (PSS).</li><li>• When the SLEEP instruction is executed in high-speed mode or medium-speed mode, operation shifts to sleep mode, watch mode*, or sub-active mode*.</li><li>• When the SLEEP instruction is executed in sub-active mode*, operation shifts to sub-sleep mode*, watch mode*, or high-speed mode.</li></ul>

Note: \* Always set high-speed mode when shifting to watch mode or sub-active mode.

## 21B.2.5 Module Stop Control Register (MSTPCR)

### MSTPCRA

Bit	:	7	6	5	4	3	2	1	0
		MSTPA7	MSTPA6	MSTPA5	MSTPA4	MSTPA3	MSTPA2	MSTPA1	MSTPA0
Initial value :		0	0	1	1	1	1	1	1
R/W	:	R/W	R/W	R/W	R/W	R/W	R/W	R/W	R/W

### MSTPCRB

Bit	:	7	6	5	4	3	2	1	0
		MSTPB7	MSTPB6	MSTPB5	MSTPB4	MSTPB3	MSTPB2	MSTPB1	MSTPB0
Initial value :		1	1	1	1	1	1	1	1
R/W	:	R/W	R/W	R/W	R/W	R/W	R/W	R/W	R/W

### MSTPCRC

Bit	:	7	6	5	4	3	2	1	0
		MSTPC7	MSTPC6	MSTPC5	MSTPC4	MSTPC3	MSTPC2	MSTPC1	MSTPC0
Initial value :		1	1	1	1	1	1	1	1
R/W	:	R/W	R/W	R/W	R/W	R/W	R/W	R/W	R/W

MSTPCR, comprising three 8-bit readable/writable registers, performs module stop mode control.

MSTPCRA to MSTPCRC are initialized to H'3FFFFFF by a reset and in hardware standby mode. They are not initialized in software standby mode.

**MSTPCRA/MSTPCRB/MSTPCRC Bits 7 to 0—Module Stop (MSTPA7 to MSTPA0, MSTPB7 to MSTPB0, MSTPC7 to MSTPC0):** These bits specify module stop mode. See table 21B-4 for the method of selecting the on-chip peripheral functions.

#### MSTPCRA/MSTPCRB/ MSTPCRC Bits 7 to 0

	Description
0	Module stop mode is cleared (initial value of MSTPA7 and MSTPA6)
1	Module stop mode is set (initial value of MSTPA5–0, MSTPB7–0, MSTPC7–0)

## 21B.3 Medium-Speed Mode

In high-speed mode, when the SCK2 to SCK0 bits in SCKCR are set to 1, the operating mode changes to medium-speed mode as soon as the current bus cycle ends. In medium-speed mode, the CPU operates on the operating clock ( $\phi/2$ ,  $\phi/4$ ,  $\phi/8$ ,  $\phi/16$ , or  $\phi/32$ ) specified by the SCK2 to SCK0 bits. The bus masters other than the CPU (DTC) also operate in medium-speed mode. On-chip supporting modules other than the bus masters always operate on the high-speed clock ( $\phi$ ).

In medium-speed mode, a bus access is executed in the specified number of states with respect to the bus master operating clock. For example, if  $\phi/4$  is selected as the operating clock, on-chip memory is accessed in 4 states, and internal I/O registers in 8 states.

Medium-speed mode is cleared by clearing all of bits SCK2 to SCK0 to 0. A transition is made to high-speed mode and medium-speed mode is cleared at the end of the current bus cycle.

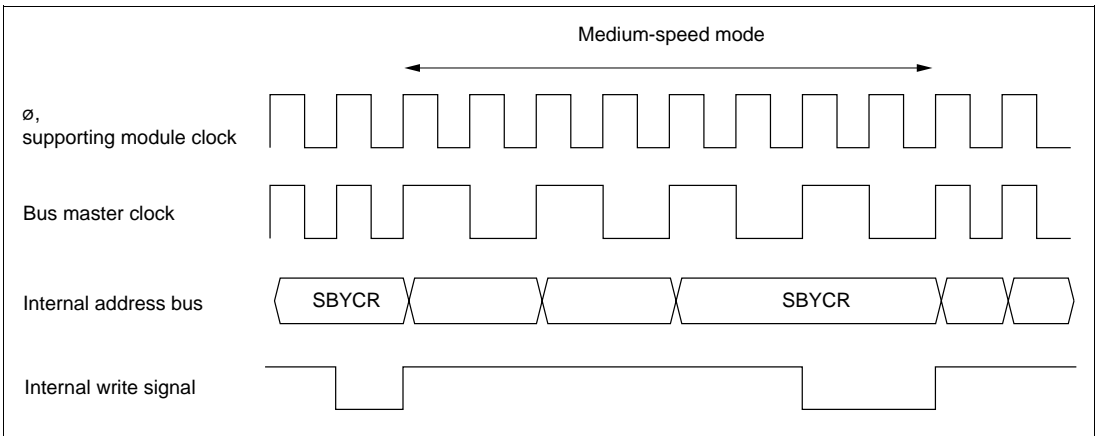
If a SLEEP instruction is executed when the SSBY bit in SBYCR is cleared to 0, and LSON bit in LPWRCR is cleared to 0, a transition is made to sleep mode. When sleep mode is cleared by an interrupt, medium-speed mode is restored.

When the SLEEP instruction is executed with the SSBY bit = 1, LPWRCR LSON bit = 0, and TCSR (WDT1) PSS bit = 0, operation shifts to the software standby mode. When software standby mode is cleared by an external interrupt, medium-speed mode is restored.

When the  $\overline{\text{RES}}$  pin is set low and medium-speed mode is cancelled, operation shifts to the reset state. The same applies in the case of a reset caused by overflow of the watchdog timer.

When the  $\overline{\text{STBY}}$  pin is driven low, a transition is made to hardware standby mode.

Figure 21B-2 shows the timing for transition to and clearance of medium-speed mode.



**Figure 21B-2 Medium-Speed Mode Transition and Clearance Timing**



## 21B.4 Sleep Mode

### 21B.4.1 Sleep Mode

When the SLEEP instruction is executed when the SBYCR SSBY bit = 0 and the LPWRCR LSON bit = 0, the CPU enters the sleep mode. In sleep mode, CPU operation stops but the contents of the CPU's internal registers are retained. Other supporting modules do not stop.

### 21B.4.2 Exiting Sleep Mode

Sleep mode is exited by any interrupt, or signals at the  $\overline{\text{RES}}$ , or  $\overline{\text{STBY}}$  pins.

**Exiting Sleep Mode by Interrupts:** When an interrupt occurs, sleep mode is exited and interrupt exception processing starts. Sleep mode is not exited if the interrupt is disabled, or interrupts other than NMI are masked by the CPU.

**Exiting Sleep Mode by  $\overline{\text{RES}}$  pin:** Setting the  $\overline{\text{RES}}$  pin level Low selects the reset state. After the stipulated reset input duration, driving the  $\overline{\text{RES}}$  pin High starts the CPU performing reset exception processing.

**Exiting Sleep Mode by  $\overline{\text{STBY}}$  Pin:** When the  $\overline{\text{STBY}}$  pin level is driven Low, a transition is made to hardware standby mode.

## 21B.5 Module Stop Mode

### 21B.5.1 Module Stop Mode

Module stop mode can be set for individual on-chip supporting modules.

When the corresponding MSTP bit in MSTPCR is set to 1, module operation stops at the end of the bus cycle and a transition is made to module stop mode. The CPU continues operating independently.

Table 21B-4 shows MSTP bits and the corresponding on-chip supporting modules.

When the corresponding MSTP bit is cleared to 0, module stop mode is cleared and the module starts operating at the end of the bus cycle. In module stop mode, the internal states of modules other than the SCI, A/D converter and HCAN are retained.

After reset clearance, all modules other than DTC are in module stop mode.

When an on-chip supporting module is in module stop mode, read/write access to its registers is disabled.

**Table 21B-4 MSTP Bits and Corresponding On-Chip Supporting Modules**

<b>Register</b>	<b>Bit</b>	<b>Module</b>
MSTPCRA	MSTPA7*	
	MSTPA6	Data transfer controller (DTC)
	MSTPA5	16-bit timer pulse unit (TPU)
	MSTPA4*	
	MSTPA3	Programmable pulse generator (PPG)
	MSTPA2*	
	MSTPA1	A/D converter
	MSTPA0*	
MSTPCRB	MSTPB7	Serial communication interface 0 (SCI0)
	MSTPB6	Serial communication interface 1 (SCI1)
	MSTPB5	Serial communication interface 2 (SCI2)
	MSTPB4*	
	MSTPB3*	
	MSTPB2*	
	MSTPB1*	
	MSTPB0*	
MSTPCRC	MSTPC7*	
	MSTPC6*	
	MSTPC5	D/A converter (channels 2, 3)
	MSTPC4	PC break controller (PBC)
	MSTPC3	HCAN
	MSTPC2*	
	MSTPC1*	
	MSTPC0*	

Note: \* MSTPA7 is a readable/writable bit with an initial value of 0.

MSTPA4, MSTPA2, MSTPA0, MSTPB4 to MSTPB0, MSTPC7 to MSTPC4, and MSTPC2 to MSTPC0 are readable/writable bits with an initial value of 1 and should always be written with 1.

## 21B.5.2 Usage Notes

**DTC Module Stop:** Depending on the operating status of the DTC, the MSTPA7 and MSTPA6 bits may not be set to 1. Setting of the DTC module stop mode should be carried out only when the respective module is not activated.

For details, refer to section 8, Data Transfer Controller (DTC).

**On-Chip Supporting Module Interrupt:** Relevant interrupt operations cannot be performed in module stop mode. Consequently, if module stop mode is entered when an interrupt has been requested, it will not be possible to clear the CPU interrupt source or the DTC activation source. Interrupts should therefore be disabled before entering module stop mode.

**Writing to MSTPCR:** MSTPCR should only be written to by the CPU.

## 21B.6 Software Standby Mode

### 21B.6.1 Software Standby Mode

A transition is made to software standby mode when the SLEEP instruction is executed when the SBYCR SSBY bit = 1 and the LPWRCR LSON bit = 0, and the TCSR (WDT1) PSS bit = 0. In this mode, the CPU, on-chip supporting modules, and oscillator all stop. However, the contents of the CPU's internal registers, RAM data, and the states of on-chip supporting modules other than the SCI, A/D converter, HCAN and I/O ports, are retained. Whether the address bus and bus control signals are placed in the high-impedance state or retain the output state can be specified by the OPE bit in SBYCR.

In this mode the oscillator stops, and therefore power dissipation is significantly reduced.

### 21B.6.2 Clearing Software Standby Mode

Software standby mode is cleared by an external interrupt (NMI pin, or pins  $\overline{\text{IRQ0}}$  to  $\overline{\text{IRQ5}}$ ), or by means of the  $\overline{\text{RES}}$  pin or  $\overline{\text{STBY}}$  pin.

- Clearing with an interrupt

When an NMI or IRQ0 to IRQ5 interrupt request signal is input, clock oscillation starts, and after the elapse of the time set in bits STS2 to STS0 in SYSCR, stable clocks are supplied to the entire chip, software standby mode is cleared, and interrupt exception handling is started.

When clearing software standby mode with an IRQ0 to IRQ5 interrupt, set the corresponding enable bit to 1 and ensure that no interrupt with a higher priority than interrupts IRQ0 to IRQ5 is generated. Software standby mode cannot be cleared if the interrupt has been masked on the CPU side or has been designated as a DTC activation source.

- Clearing with the  $\overline{\text{RES}}$  pin

When the  $\overline{\text{RES}}$  pin is driven Low, clock oscillation is started. At the same time as clock oscillation starts, clocks are supplied to the entire chip. Note that the  $\overline{\text{RES}}$  pin must be held Low until clock oscillation stabilizes. When the  $\overline{\text{RES}}$  pin goes high, the CPU begins reset exception handling.

- Clearing with the  $\overline{\text{STBY}}$  pin

When the  $\overline{\text{STBY}}$  pin is driven Low, a transition is made to hardware standby mode.

### 21B.6.3 Setting Oscillation Stabilization Time after Clearing Software Standby Mode

Bits STS2 to STS0 in SBYCR should be set as described below.

**Using a Crystal Oscillator:** Set bits STS2 to STS0 so that the standby time is at least 8 ms (the oscillation stabilization time).

Table 21B-5 shows the standby times for different operating frequencies and settings of bits STS2 to STS0.

**Table 21B-5 Oscillation Stabilization Time Settings**

STS2	STS1	STS0	Standby Time	20	16	12	10	8	6	4	Unit
				MHz	MHz	MHz	MHz	MHz	MHz	MHz	
0	0	0	8192 states	0.41	0.51	0.68	0.8	1.0	1.3	2.0	ms
		1	16384 states	0.82	1.0	1.3	1.6	2.0	2.7	4.1	
	1	0	32768 states	1.6	2.0	2.7	3.3	4.1	5.5	8.2	
		1	65536 states	3.3	4.1	5.5	6.6	8.2	10.9	16.4	
1	0	0	131072 states	6.6	8.2	10.9	13.1	16.4	21.8	32.8	
		1	262144 states	13.1	16.4	21.8	26.2	32.8	43.6	65.6	
	1	0	Reserved	—	—	—	—	—	—	—	μs
		1	16 states*	0.8	1.0	1.3	1.6	2.0	1.7	4.0	

  : Recommended time setting

Note: \* Do not use this setting.

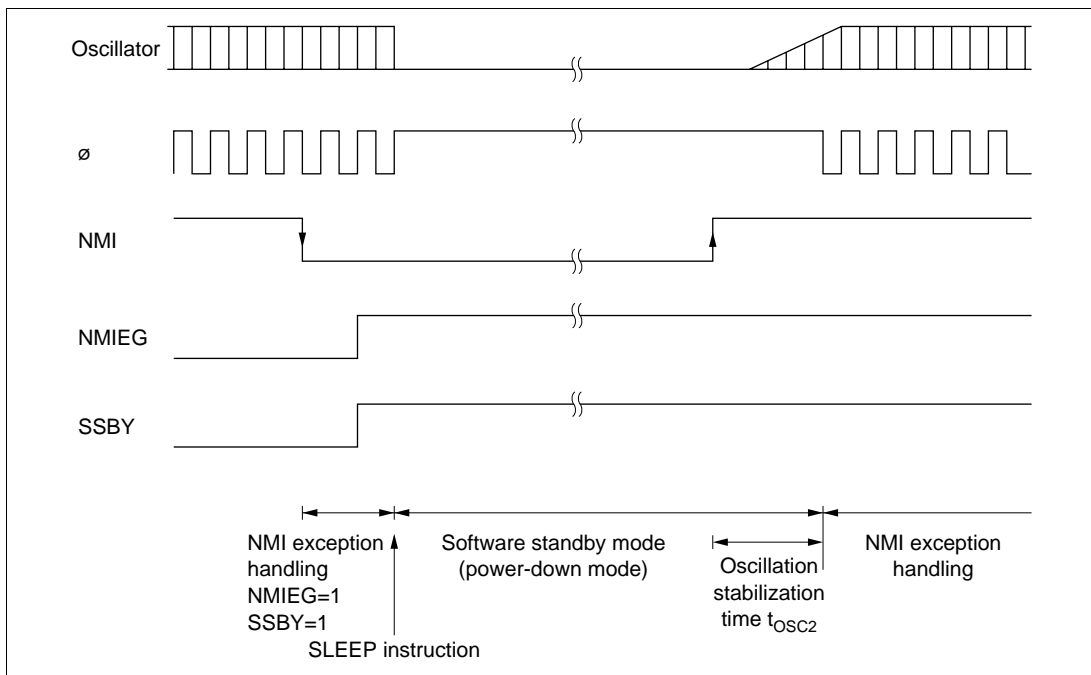
**Using an External Clock:** It is necessary to allow time for the PLL circuit to stabilize. Therefore, the standby time should be set to a value of 2 ms or greater.

## 21B.6.4 Software Standby Mode Application Example

Figure 21B-3 shows an example in which a transition is made to software standby mode at the falling edge on the NMI pin, and software standby mode is cleared at the rising edge on the NMI pin.

In this example, an NMI interrupt is accepted with the NMIEG bit in SYSCR cleared to 0 (falling edge specification), then the NMIEG bit is set to 1 (rising edge specification), the SSBY bit is set to 1, and a SLEEP instruction is executed, causing a transition to software standby mode.

Software standby mode is then cleared at the rising edge on the NMI pin.



**Figure 21B-3 Software Standby Mode Application Example**

## 21B.6.5 Usage Notes

**I/O Port Status:** In software standby mode, I/O port states are retained. If the OPE bit is set to 1, the address bus and bus control signal output is also retained. Therefore, there is no reduction in current dissipation for the output current when a high-level signal is output.

**Current Dissipation during Oscillation Stabilization Wait Period:** Current dissipation increases during the oscillation stabilization wait period.

**Write Data Buffer Function:** The write data buffer function and software standby mode cannot be used at the same time. When the write data buffer function is used, the WDBE bit in BCRL should be cleared to 0 to cancel the write data buffer function before entering software standby mode. Also check that external writes have finished, by reading external addresses, etc., before executing a SLEEP instruction to enter software standby mode. See section 7.7, Write Data Buffer Function, for details of the write data buffer function.

## 21B.7 Hardware Standby Mode

### 21B.7.1 Hardware Standby Mode

When the  $\overline{\text{STBY}}$  pin is driven low, a transition is made to hardware standby mode from any mode.

In hardware standby mode, all functions enter the reset state and stop operation, resulting in a significant reduction in power dissipation. As long as the prescribed voltage is supplied, on-chip RAM data is retained. I/O ports are set to the high-impedance state.

In order to retain on-chip RAM data, the RAME bit in SYSCR should be cleared to 0 before driving the  $\overline{\text{STBY}}$  pin low.

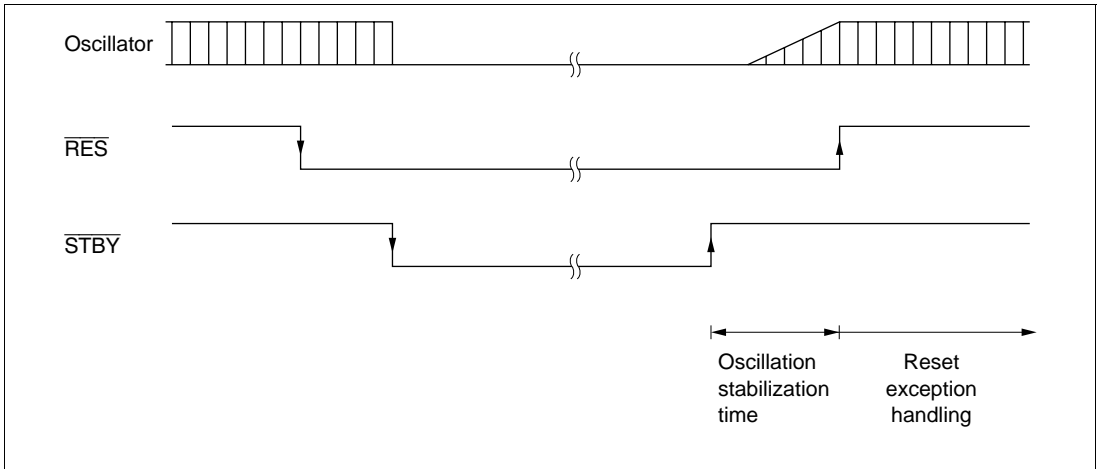
Do not change the state of the mode pins (MD2 to MD0) while the H8S/2626 Series is in hardware standby mode.

Hardware standby mode is cleared by means of the  $\overline{\text{STBY}}$  pin and the  $\overline{\text{RES}}$  pin. When the  $\overline{\text{STBY}}$  pin is driven high while the  $\overline{\text{RES}}$  pin is low, the reset state is set and clock oscillation is started. Ensure that the  $\overline{\text{RES}}$  pin is held low until the clock oscillator stabilizes (at least 8 ms—the oscillation stabilization time—when using a crystal oscillator). When the  $\overline{\text{RES}}$  pin is subsequently driven high, a transition is made to the program execution state via the reset exception handling state.

## 21B.7.2 Hardware Standby Mode Timing

Figure 21B-4 shows an example of hardware standby mode timing.

When the  $\overline{\text{STBY}}$  pin is driven low after the  $\overline{\text{RES}}$  pin has been driven low, a transition is made to hardware standby mode. Hardware standby mode is cleared by driving the  $\overline{\text{STBY}}$  pin high, waiting for the oscillation stabilization time, then changing the  $\overline{\text{RES}}$  pin from low to high.



**Figure 21B-4 Hardware Standby Mode Timing**

## 21B.8 Watch Mode

### 21B.8.1 Watch Mode

CPU operation makes a transition to watch mode when the SLEEP instruction is executed in high-speed mode or sub-active mode with SBYCR SSBY=1, LPWRCR DTON = 0, and TCSR (WDT1) PSS = 1.

In watch mode, the CPU is stopped and supporting modules other than WDT1 are also stopped. The contents of the CPU internal registers, the data in internal RAM, and the statuses of the internal supporting modules (excluding the SCI, ADC, HCAN) and I/O ports are retained.

## 21B.8.2 Exiting Watch Mode

Watch mode is exited by any interrupt (WOVI interrupt, NMI pin, or  $\overline{\text{IRQ0}}$  to  $\overline{\text{IRQ5}}$ ), or signals at the  $\overline{\text{RES}}$ , or  $\overline{\text{STBY}}$  pins.

### (1) Exiting Watch Mode by Interrupts

When an interrupt occurs, watch mode is exited and a transition is made to high-speed mode or medium-speed mode when the LPWRCR LSON bit = 0 or to sub-active mode when the LSON bit = 1. When a transition is made to high-speed mode, a stable clock is supplied to all LSI circuits and interrupt exception processing starts after the time set in SBYCR STS2 to STS0 has elapsed. In the case of  $\overline{\text{IRQ0}}$  to  $\overline{\text{IRQ5}}$  interrupts, no transition is made from watch mode if the corresponding enable bit has been cleared to 0, and, in the case of interrupts from the internal supporting modules, the interrupt enable register has been set to disable the reception of that interrupt, or is masked by the CPU.

See section 21B.6.3, Setting Oscillation Stabilization Time after clearing Software Standby Mode, for how to set the oscillation stabilization time when making a transition from watch mode to high-speed mode.

### (2) Exiting Watch Mode by $\overline{\text{RES}}$ pins

For exiting watch mode by the  $\overline{\text{RES}}$  pins, see, Clearing with the  $\overline{\text{RES}}$  pins in section 21B.6.2, Clearing Software Standby Mode.

### (3) Exiting Watch Mode by $\overline{\text{STBY}}$ pin

When the  $\overline{\text{STBY}}$  pin level is driven Low, a transition is made to hardware standby mode.

## 21B.8.3 Notes

### (1) I/O Port Status

The status of the I/O ports is retained in watch mode. Also, when the OPE bit is set to 1, the address bus and bus control signals continue to be output. Therefore, when a High level is output, the current consumption is not diminished by the amount of current to support the High level output.

### (2) Current Consumption when Waiting for Oscillation Stabilization

The current consumption increases during stabilization of oscillation.



## 21B.9 Sub-Sleep Mode

### 21B.9.1 Sub-Sleep Mode

When the SLEEP instruction is executed with the SBYCR SSBY bit = 0, LPWRCR LSON bit = 1, and TCSR (WDT1) PSS bit = 1, CPU operation shifts to sub-sleep mode.

In sub-sleep mode, the CPU is stopped. Supporting modules other than WDT0, and WDT1 are also stopped. The contents of the CPU's internal registers, the data in internal RAM, and the statuses of the internal supporting modules (excluding the SCI, ADC, HCAN) and I/O ports are retained.

### 21B.9.2 Exiting Sub-Sleep Mode

Sub-sleep mode is exited by an interrupt (interrupts from internal supporting modules, NMI pin, or  $\overline{\text{IRQ0}}$  to  $\overline{\text{IRQ5}}$ ), or signals at the  $\overline{\text{RES}}$  or  $\overline{\text{STBY}}$  pins.

#### (1) Exiting Sub-Sleep Mode by Interrupts

When an interrupt occurs, sub-sleep mode is exited and interrupt exception processing starts.

In the case of  $\overline{\text{IRQ0}}$  to  $\overline{\text{IRQ5}}$  interrupts, sub-sleep mode is not cancelled if the corresponding enable bit has been cleared to 0, and, in the case of interrupts from the internal supporting modules, the interrupt enable register has been set to disable the reception of that interrupt, or is masked by the CPU.

#### (2) Exiting Sub-Sleep Mode by $\overline{\text{RES}}$

For exiting sub-sleep mode by the  $\overline{\text{RES}}$  pins, see, Clearing with the  $\overline{\text{RES}}$  pins in section 21B.6.2, Clearing Software Standby Mode.

#### (3) Exiting Sub-Sleep Mode by $\overline{\text{STBY}}$ Pin

When the  $\overline{\text{STBY}}$  pin level is driven Low, a transition is made to hardware standby mode.

## 21B.10 Sub-Active Mode

### 21B.10.1 Sub-Active Mode

When the SLEEP instruction is executed in high-speed mode with the SBYCR SSBY bit = 1, LPWRCR DTON bit = 1, LSON bit = 1, and TCSR (WDT1) PSS bit = 1, CPU operation shifts to sub-active mode. When an interrupt occurs in watch mode, and if the LSON bit of LPWRCR is 1, a transition is made to sub-active mode. And if an interrupt occurs in sub-sleep mode, a transition is made to sub-active mode.

In sub-active mode, the CPU operates at low speed on the subclock, and the program is executed step by step. Supporting modules other than WDT0, and WDT1 are also stopped.

When operating the CPU in sub-active mode, the SCKCR SCK2 to SCK0 bits must be set to 0.

### 21B.10.2 Exiting Sub-Active Mode

Sub-active mode is exited by the SLEEP instruction or the  $\overline{\text{RES}}$  or  $\overline{\text{STBY}}$  pins.

#### (1) Exiting Sub-Active Mode by SLEEP Instruction

When the SLEEP instruction is executed with the SBYCR SSBY bit = 1, LPWRCR DTON bit = 0, and TCSR (WDT1) PSS bit = 1, the CPU exits sub-active mode and a transition is made to watch mode. When the SLEEP instruction is executed with the SBYCR SSBY bit = 0, LPWRCR LSON bit = 1, and TCSR (WDT1) PSS bit = 1, a transition is made to sub-sleep mode. Finally, when the SLEEP instruction is executed with the SBYCR SSBY bit = 1, LPWRCR DTON bit = 1, LSON bit = 0, and TCSR (WDT1) PSS bit = 1, a direct transition is made to high-speed mode (SCK0 to SCK2 all 0).

See section 21B.11, Direct Transitions, for details of direct transitions.

#### (2) Exiting Sub-Active Mode by $\overline{\text{RES}}$ Pins

For exiting sub-active mode by the  $\overline{\text{RES}}$  pins, see, Clearing with the  $\overline{\text{RES}}$  pins in section 21B.6.2, Clearing Software Standby Mode.

#### (3) Exiting Sub-Active Mode by $\overline{\text{STBY}}$ Pin

When the  $\overline{\text{STBY}}$  pin level is driven Low, a transition is made to hardware standby mode.

## 21B.11 Direct Transitions

### 21B.11.1 Overview of Direct Transitions

There are three modes, high-speed, medium-speed, and sub-active, in which the CPU executes programs. When a direct transition is made, there is no interruption of program execution when shifting between high-speed and sub-active modes. Direct transitions are enabled by setting the LPWRCR DTON bit to 1, then executing the SLEEP instruction. After a transition, direct transition interrupt exception processing starts.

#### (1) Direct Transitions from High-Speed Mode to Sub-Active Mode

Execute the SLEEP instruction in high-speed mode when the SBYCR SSBY bit = 1, LPWRCR LSON bit = 1, and DTON bit = 1, and TSCR (WDT1) PSS bit = 1 to make a transition to sub-active mode.

#### (2) Direct Transitions from Sub-Active Mode to High-Speed Mode

Execute the SLEEP instruction in sub-active mode when the SBYCR SSBY bit = 1, LPWRCR LSON bit = 0, and DTON bit = 1, and TSCR (WDT1) PSS bit = 1 to make a direct transition to high-speed mode after the time set in SBYCR STS2 to STS0 has elapsed.

## 21B.12 $\emptyset$ Clock Output Disabling Function

Output of the  $\emptyset$  clock can be controlled by means of the PSTOP bit in SCKCR, and DDR for the corresponding port. When the PSTOP bit is set to 1, the  $\emptyset$  clock stops at the end of the bus cycle, and  $\emptyset$  output goes high.  $\emptyset$  clock output is enabled when the PSTOP bit is cleared to 0. When DDR for the corresponding port is cleared to 0,  $\emptyset$  clock output is disabled and input port mode is set. Table 21B-6 shows the state of the  $\emptyset$  pin in each processing state.

**Table 21B-6  $\emptyset$  Pin State in Each Processing State**

DDR	0	1	1
PSTOP	—	0	1
Hardware standby mode	High impedance	High impedance	High impedance
Software standby mode, watch mode, and direct transition	High impedance	Fixed high	Fixed high
Sleep mode and subsleep mode	High impedance	$\emptyset$ output	Fixed high
High-speed mode, medium-speed mode, and subactive mode	High impedance	$\emptyset$ output	Fixed high

## 21B.13 Usage Notes

1. When making a transition to sub-active mode or watch mode, set the DTC to enter module stop mode (write 1 to the relevant bits in MSTPCR), and then read the relevant bits to confirm that they are set to 1 before mode transition. Do not clear module stop mode (write 0 to the relevant bits in MSTPCR) until a transition from sub-active mode to high-speed mode or medium-speed mode has been performed.

If a DTC activation source occurs in sub-active mode, the DTC will be activated only after module stop mode has been cleared and high-speed mode or medium-speed mode has been entered.

2. The on-chip peripheral modules (DTC and TPU) which halt operation in sub-active mode cannot clear an interrupt in sub-active mode. Therefore, if a transition is made to sub-active mode while an interrupt is requested, the CPU interrupt source cannot be cleared. Disable the interrupts of each on-chip peripheral module before executing a SLEEP instruction to enter sub-active mode or watch mode.

## 22.1 Absolute Maximum Ratings

Table 22-1 lists the absolute maximum ratings.

**Table 22-1 Absolute Maximum Ratings**

— Preliminary —

Item	Symbol	Value	Unit
Power supply voltage	$V_{CC}$	-0.3 to +4.3	V
	$PLL V_{CC}$		
	$PV_{CC1-4}$	-0.3 to +7.0	V
Input voltage (XTAL, EXTAL, OSC1, OSC2)	$V_{in}$	-0.3 to $V_{CC} + 0.3$	V
Input voltage (port 4 and 9)	$V_{in}$	-0.3 to $AV_{CC} + 0.3$	V
Input voltage (except port 4 and 9)	$V_{in}$	-0.3 to $PV_{CC} + 0.3$	V
Reference voltage	$V_{ref}$	-0.3 to $AV_{CC} + 0.3$	V
Analog power supply voltage	$AV_{CC}$	-0.3 to +7.0	V
Analog input voltage	$V_{AN}$	-0.3 to $AV_{CC} + 0.3$	V
Operating temperature	$T_{opr}$	Regular specifications: -20 to +75	°C
		Wide-range specifications: -40 to +85	°C
Storage temperature	$T_{stg}$	-55 to +125	°C

Caution: Permanent damage to the chip may result if absolute maximum rating are exceeded.

## 22.2 DC Characteristics

Table 22-2 lists the DC characteristics. Table 22-3 lists the permissible output currents.

**Table 22-2 DC Characteristics**

— Preliminary —

Conditions:  $V_{CC} = PLLV_{CC} = 3.0\text{ V to }3.6\text{ V}$ ,  $PV_{CC} = 4.5\text{ V to }5.5\text{ V}$ ,  $AV_{CC} = 4.5\text{ V to }5.5\text{ V}$ ,  
 $V_{ref} = 4.5\text{ V to }AV_{CC}$ ,  $V_{SS} = AV_{SS} = 0\text{ V}$ ,  $T_a = -20^\circ\text{C to }+75^\circ\text{C}$  (regular specifications),  $T_a = -40^\circ\text{C to }+85^\circ\text{C}$  (wide-range specifications)\*1

Item	Symbol	Min	Typ	Max	Unit	Test Conditions
Schmitt trigger input voltage	$\overline{IRQ0}$ to $\overline{IRQ5}$	$V_T^-$	$PV_{CC} \times 0.2$	—	V	
		$V_T^+$	—	$PV_{CC} \times 0.7$	V	
		$V_T^+ - V_T^-$	$PV_{CC} \times 0.05$	—	V	
Input high voltage	$\overline{RES}$ , $\overline{STBY}$ , NMI, MD2 to MD0, FWE	$V_{IH}$	$PV_{CC} \times 0.9$	—	$PV_{CC} + 0.3$	V
	EXTAL, OSC1		$V_{CC} \times 0.7$	—	$V_{CC} + 0.3$	V
	Port 1, A to F, HRxD		$PV_{CC} \times 0.7$	—	$PV_{CC} + 0.3$	V
	Port 4 and 9		$AV_{CC} \times 0.7$	—	$AV_{CC} + 0.3$	V
Input low voltage	$\overline{RES}$ , $\overline{STBY}$ , NMI, MD2 to MD0, FWE	$V_{IL}$	-0.3	—	$PV_{CC} \times 0.1$	V
	EXTAL, OSC1		-0.3	—	$V_{CC} \times 0.2$	V
	Port 1, A to F, HRxD		-0.3	—	$PV_{CC} \times 0.2$	V
	Port 4, 9		-0.3	—	$AV_{CC} \times 0.2$	V
Output high voltage	All output pins	$V_{OH}$	$PV_{CC} - 0.5$	—	V	$I_{OH} = -200\ \mu\text{A}$
			$PV_{CC} - 1.0$	—	V	$I_{OH} = -1\ \text{mA}$
Output low voltage	All output pins	$V_{OL}$	—	0.4	V	$I_{OL} = 1.6\ \text{mA}$
Input leakage current	$\overline{RES}$	$ I_{in} $	—	1.0	$\mu\text{A}$	$V_{in} = 0.5$ to
	$\overline{STBY}$ , NMI, HRxD, MD2 to MD0, FWE		—	1.0	$\mu\text{A}$	$PV_{CC} - 0.5\ \text{V}$
	Port 4, 9		—	1.0	$\mu\text{A}$	$V_{in} = 0.5$ to $AV_{CC} - 0.5\ \text{V}$

Item		Symbol	Min	Typ	Max	Unit	Test Conditions
Three-state leakage current (off state)	Port 1, A to F	$ I_{TSL} $	—	—	1.0	$\mu\text{A}$	$V_{in} = 0.5$ to $PV_{CC} - 0.5$ V
MOS input pull-up current	Port A to E	$-I_P$	30	—	300	$\mu\text{A}$	$V_{in} = 0$ V
Input capacitance	$\overline{\text{RES}}$	$C_{in}$	—	—	30	pF	$V_{in} = 0$ V $f = 1$ MHz $T_a = 25^\circ\text{C}$
	NMI		—	—	30	pF	
	All input pins except $\overline{\text{RES}}$ and NMI		—	—	15	pF	
Current dissipation* <sup>2</sup>	Normal operation	$I_{CC}^{*4}$	—	55 $V_{CC} = 3.3$ V	65 $V_{CC} = 3.6$ V	mA	$f = 20$ MHz
	Sleep mode		—	40 $V_{CC} = 3.3$ V	50 $V_{CC} = 3.6$ V	mA	$f = 20$ MHz
	All modules stopped		—	40	—	mA	$f = 20$ MHz, $V_{CC} = 3.3$ V (reference values)
	Medium-speed mode ( $\phi/32$ )		—	30	—	mA	$f = 20$ MHz, $V_{CC} = 3.3$ V (reference values)
	Subactive mode		—	90 $V_{CC} = 3.3$ V	200	$\mu\text{A}$	Using 32.768 kHz crystal resonator
	Subsleep mode		—	60 $V_{CC} = 3.3$ V	120	$\mu\text{A}$	Using 32.768 kHz crystal resonator
	Watch mode		—	12 $V_{CC} = 3.3$ V	30	$\mu\text{A}$	Using 32.768 kHz crystal resonator
	Standby mode* <sup>3</sup>			—	2.0	5.0	$\mu\text{A}$
			—	—	20	$\mu\text{A}$	$50^\circ\text{C} < T_a$

Item		Symbol	Min	Typ	Max	Unit	Test Conditions
Port power supply current	During operation	$I_{CC}$	—	15	20	mA	
				$PV_{CC} = 5.0\text{ V}$	$PV_{CC} = 5.5\text{ V}$		
	In standby mode*3		—	—	5.0	$\mu\text{A}$	
					$PV_{CC} = 5.5\text{ V}$		
Analog power supply current	During A/D and D/A conversion	$I_{CC}$	—	1.0	2.0	mA	$AV_{CC} = 5.0\text{ V}$
	Idle		—	—	5.0	$\mu\text{A}$	
Reference power supply current	During A/D and D/A conversion	$I_{CC}$	—	2.5	4.0	mA	$V_{ref} = 5.0\text{ V}$
	Idle		—	—	5.0	$\mu\text{A}$	
RAM standby voltage		$V_{RAM}$	2.0	—	—	V	

Notes: \*1 If the A/D and D/A converter is not used, do not leave the  $AV_{CC}$ ,  $V_{ref}$ , and  $AV_{SS}$  pins open. Apply a voltage between 4.5 V and 5.5 V to the  $AV_{CC}$  and  $V_{ref}$  pins by connecting them to  $PV_{CC}$ , for instance. Set  $V_{ref} \leq AV_{CC}$ .

\*2 Current dissipation values are for  $V_{IH} = V_{CC}$  (EXTAL, OSC1),  $AV_{CC}$  (ports 4 and 9), or  $PV_{CC}$  (other), and  $V_{IL} = 0\text{ V}$ , with all output pins unloaded and the on-chip MOS pull-up transistors in the off state.

\*3 The values are for  $V_{RAM} \leq PV_{CC} < 3.0\text{ V}$ ,  $V_{IH\ min} = V_{CC} - 0.1\text{ V}$ , and  $V_{IL\ max} = 0.1\text{ V}$ .

\*4  $I_{CC}$  depends on  $V_{CC}$  and  $f$  as follows:

$$I_{CC\ max} = 8.0\text{ (mA)} + 0.8\text{ (mA/(MHz} \times \text{V))} \times V_{CC} \times f\text{ (normal operation)}$$

$$I_{CC\ max} = 8.0\text{ (mA)} + 0.58\text{ (mA/(MHz} \times \text{V))} \times V_{CC} \times f\text{ (sleep mode)}$$

\*5 Applies to the mask ROM version only.



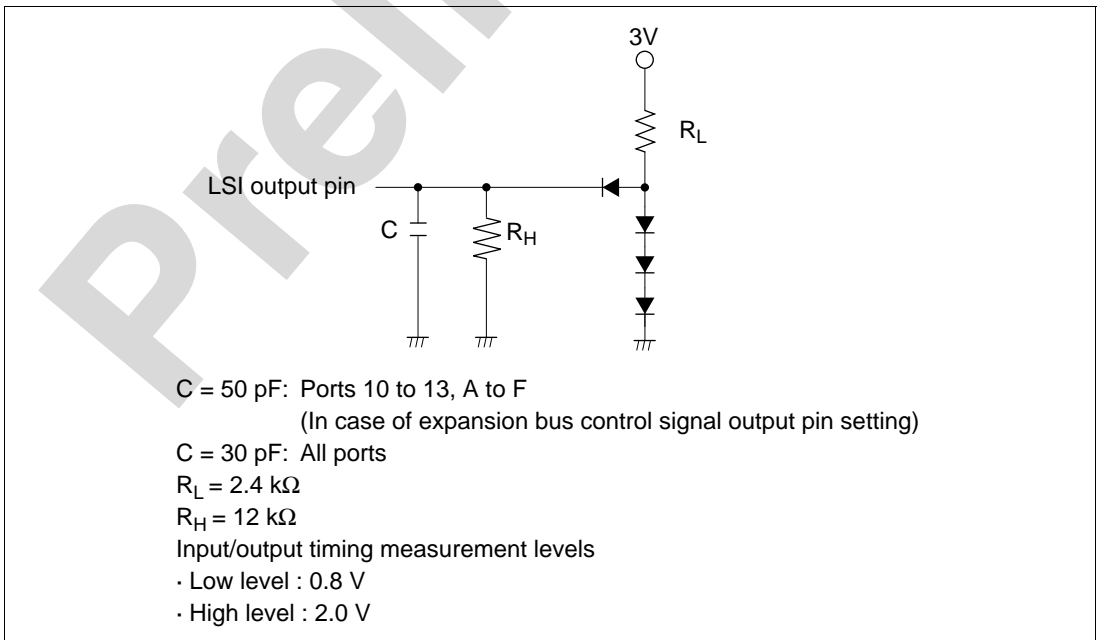
Conditions:  $V_{CC} = PLLV_{CC} = 3.0\text{ V to }3.6\text{ V}$ ,  $PV_{CC} = 4.5\text{ V to }5.5\text{ V}$ ,  $AV_{CC} = 4.5\text{ V to }5.5\text{ V}$ ,  
 $V_{ref} = 4.5\text{ V to }AV_{CC}$ ,  $V_{SS} = AV_{SS} = 0\text{ V}$ ,  $T_a = -20^\circ\text{C to }+75^\circ\text{C}$  (regular specifications),  $T_a = -40^\circ\text{C to }+85^\circ\text{C}$  (wide-range specifications)\*

Item		Symbol	Min	Typ	Max	Unit
Permissible output low current (per pin)	All output pins	$PV_{CC} = 4.5\text{ V to }5.5\text{ V}$ $I_{OL}$	—	—	10	mA
Permissible output low current (total)	Total of all output pins	$PV_{CC} = 4.5\text{ V to }5.5\text{ V}$ $\Sigma I_{OL}$	—	—	100	mA
Permissible output high current (per pin)	All output pins	$PV_{CC} = 4.5\text{ V to }5.5\text{ V}$ $-I_{OH}$	—	—	2.0	mA
Permissible output high current (total)	Total of all output pins	$PV_{CC} = 4.5\text{ V to }5.5\text{ V}$ $\Sigma -I_{OH}$	—	—	30	mA

Note: \* To protect chip reliability, do not exceed the output current values in table 22-3.

### 22.3 AC Characteristics

Figure 22-1 show, the test conditions for the AC characteristics.



**Figure 22-1 Output Load Circuit**

### 22.3.1 Clock Timing

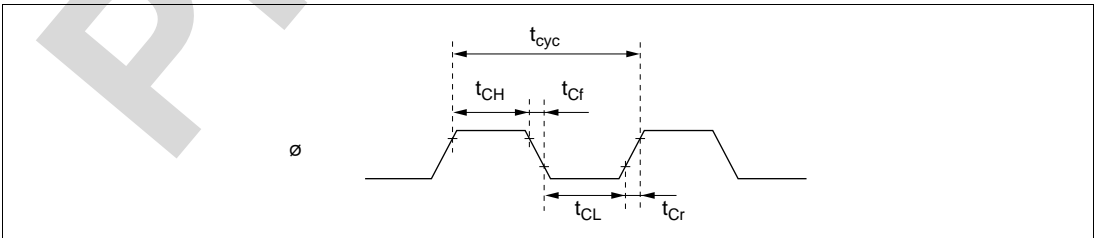
Table 22-4 lists the clock timing

**Table 22-4 Clock Timing**

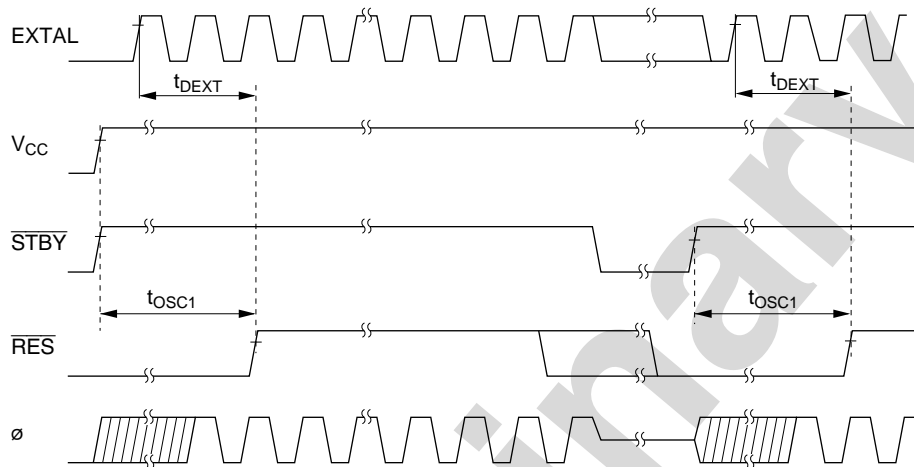
— Preliminary —

Conditions :  $V_{CC} = PLLV_{CC} = 3.0 \text{ V to } 3.6 \text{ V}$ ,  $PV_{CC} = 4.5 \text{ V to } 5.5 \text{ V}$ ,  $AV_{CC} = 4.5 \text{ V to } 5.5 \text{ V}$ ,  
 $V_{ref} = 4.5 \text{ V to } AV_{CC}$ ,  $V_{SS} = AV_{SS} = 0 \text{ V}$ ,  $\phi = 32.768 \text{ kHz}$ , 4 to 20 MHz,  $T_a = -20^\circ\text{C to } +75^\circ\text{C}$  (regular specifications),  $T_a = -40^\circ\text{C to } +85^\circ\text{C}$  (wide-range specifications)

Item	Symbol	Min	Max	Unit	Test Conditions
Clock cycle time	$t_{cyc}$	50	250	ns	Figure 22-2
Clock high pulse width	$t_{CH}$	15	—	ns	
Clock low pulse width	$t_{CL}$	15	—	ns	
Clock rise time	$t_{Cr}$	—	5	ns	
Clock fall time	$t_{Cf}$	—	5	ns	
Oscillation stabilization time at reset (crystal)	$t_{OSC1}$	20	—	ms	Figure 22-3
Oscillation stabilization time in software standby (crystal)	$t_{OSC2}$	8	—	ms	Figure 21A-3, Figure 21B-3
External clock output stabilization delay time	$t_{DEXT}$	2	—	ms	Figure 22-3
32 kHz clock oscillation settling time	$t_{OSC3}$	—	2	s	
Sub clock oscillator frequency	$f_{SUB}$	32.768	—	kHz	
Sub clock ( $\phi_{SUB}$ ) cycle time	$t_{SUB}$	30.5	—	$\mu\text{s}$	



**Figure 22-2 System Clock Timing**



**Figure 22-3 Oscillation Stabilization Timing**

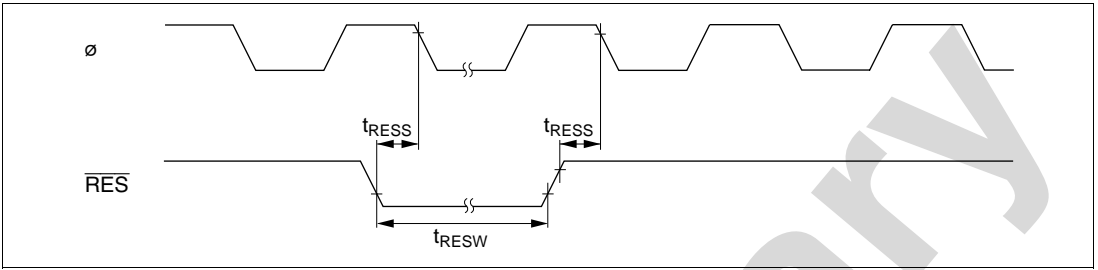
### 22.3.2 Control Signal Timing

Table 22-5 lists the control signal timing.

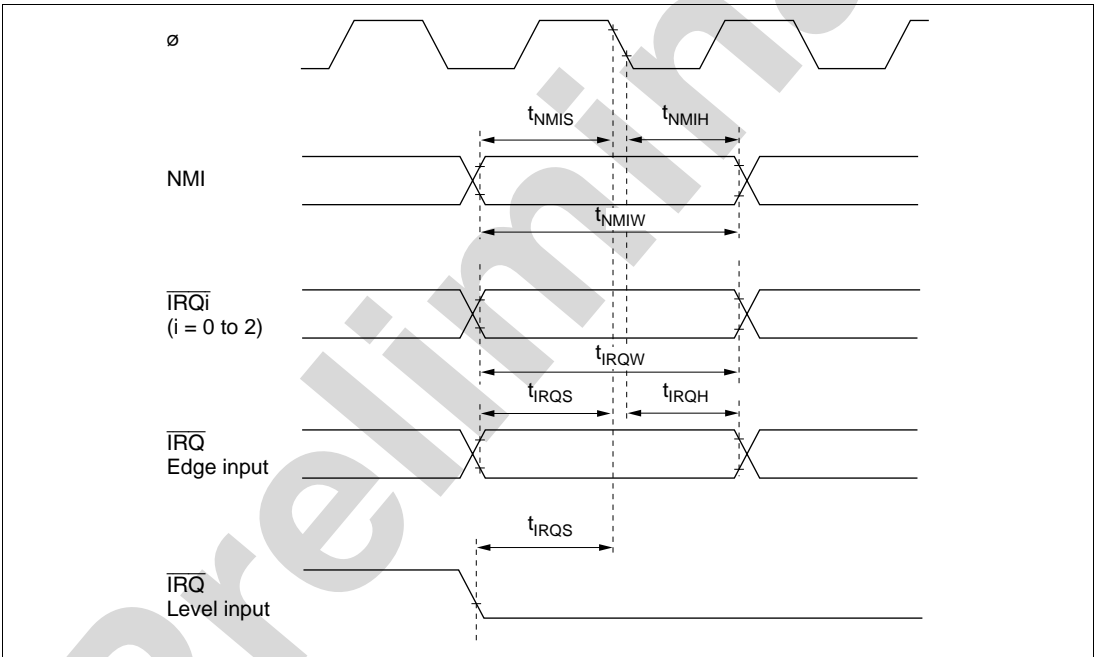
**Table 22-5 Control Signal Timing**

Conditions:  $V_{CC} = PLLV_{CC} = 3.0\text{ V to }3.6\text{ V}$ ,  $PV_{CC} = 4.5\text{ V to }5.5\text{ V}$ ,  $AV_{CC} = 4.5\text{ V to }5.5\text{ V}$ ,  
 $V_{ref} = 4.5\text{ V to }AV_{CC}$ ,  $V_{SS} = AV_{SS} = 0\text{ V}$ ,  $\phi = 32.768\text{ kHz}$ , 4 to 20 MHz,  $T_a = -20^\circ\text{C to }+75^\circ\text{C}$  (regular specifications),  $T_a = -40^\circ\text{C to }+85^\circ\text{C}$  (wide-range specifications)

Item	Symbol	Min	Max	Unit	Test Conditions
$\overline{\text{RES}}$ setup time	$t_{\text{RESS}}$	200	—	ns	Figure 22-4
$\overline{\text{RES}}$ pulse width	$t_{\text{RESW}}$	20	—	$t_{\text{cyc}}$	
NMI setup time	$t_{\text{NMIS}}$	150	—	ns	Figure 22-5
NMI hold time	$t_{\text{NMIH}}$	10	—		
NMI pulse width (exiting software standby mode)	$t_{\text{NMIW}}$	200	—	ns	
$\overline{\text{IRQ}}$ setup time	$t_{\text{IRQS}}$	150	—	ns	
$\overline{\text{IRQ}}$ hold time	$t_{\text{IRQH}}$	10	—	ns	
$\overline{\text{IRQ}}$ pulse width (exiting software standby mode)	$t_{\text{IRQW}}$	200	—	ns	



**Figure 22-4 Reset Input Timing**



**Figure 22-5 Interrupt Input Timing**

### 22.3.3 Bus Timing

Table 22-6 lists the bus timing.

**Table 22-6 Bus Timing**

— Preliminary —

Conditions:  $V_{CC} = PLLV_{CC} = 3.0\text{ V to }3.6\text{ V}$ ,  $PV_{CC} = 4.5\text{ V to }5.5\text{ V}$ ,  $AV_{CC} = 4.5\text{ V to }5.5\text{ V}$ ,  
 $V_{ref} = 4.5\text{ V to }AV_{CC}$ ,  $V_{SS} = AV_{SS} = 0\text{ V}$ ,  $\phi = 32.768\text{ kHz}$ ,  $4\text{ to }20\text{ MHz}$ ,  $T_a = -20^\circ\text{C to }+75^\circ\text{C}$  (regular specifications),  $T_a = -40^\circ\text{C to }+85^\circ\text{C}$  (wide-range specifications)

Item	Symbol	Min	Max	Unit	Test Conditions
Address delay time	$t_{AD}$	—	25	ns	Figure 22-6 to
Address setup time	$t_{AS}$	$0.5 \times t_{cyc} - 20$	—	ns	Figure 22-10
Address hold time	$t_{AH}$	$0.5 \times t_{cyc} - 15$	—	ns	
$\overline{AS}$ delay time	$t_{ASD}$	—	20	ns	
$\overline{RD}$ delay time 1	$t_{RSD1}$	—	20	ns	
$\overline{RD}$ delay time 2	$t_{RSD2}$	—	20	ns	
Read data setup time	$t_{RDS}$	15	—	ns	
Read data hold time	$t_{RDH}$	0	—	ns	
Read data access time1	$t_{ACC1}$	—	$1.0 \times t_{cyc} - 35$	ns	
Read data access time2	$t_{ACC2}$	—	$1.5 \times t_{cyc} - 25$	ns	
Read data access time3	$t_{ACC3}$	—	$2.0 \times t_{cyc} - 35$	ns	
Read data access time 4	$t_{ACC4}$	—	$2.5 \times t_{cyc} - 25$	ns	
Read data access time 5	$t_{ACC5}$	—	$3.0 \times t_{cyc} - 35$	ns	
$\overline{WR}$ delay time 1	$t_{WRD1}$	—	20	ns	
$\overline{WR}$ delay time 2	$t_{WRD2}$	—	20	ns	
$\overline{WR}$ pulse width 1	$t_{WSW1}$	$1.0 \times t_{cyc} - 20$	—	ns	
$\overline{WR}$ pulse width 2	$t_{WSW2}$	$1.5 \times t_{cyc} - 20$	—	ns	
Write data delay time	$t_{WDD}$	—	30	ns	
Write data setup time	$t_{WDS}$	$0.5 \times t_{cyc} - 20$	—	ns	
Write data hold time	$t_{WDH}$	$0.5 \times t_{cyc} - 10$	—	ns	
$\overline{WAIT}$ setup time	$t_{WTS}$	30	—	ns	Figure 22-8
$\overline{WAIT}$ hold time	$t_{WTH}$	5	—	ns	

Item	Symbol	Min	Max	Unit	Test Conditions
BRE $\overline{Q}$ setup time	$t_{BRQS}$	30	—	ns	Figure 22-11
BACK delay time	$t_{BACD}$	—	15	ns	
Bus-floating time	$t_{BZD}$	—	50	ns	
BRE $\overline{QO}$ delay time	$t_{BRQOD}$	—	25	ns	Figure 22-12

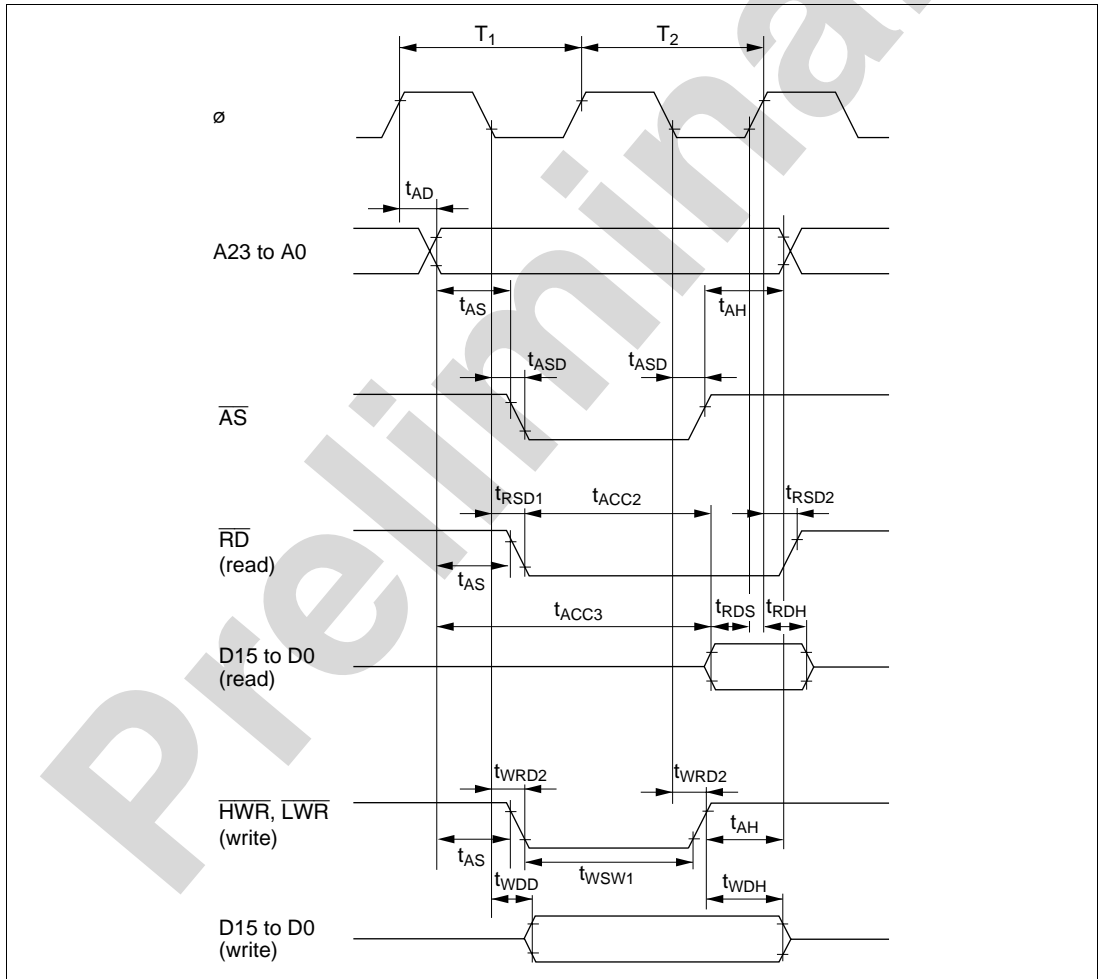


Figure 22-6 Basic Bus Timing (Two-State Access)

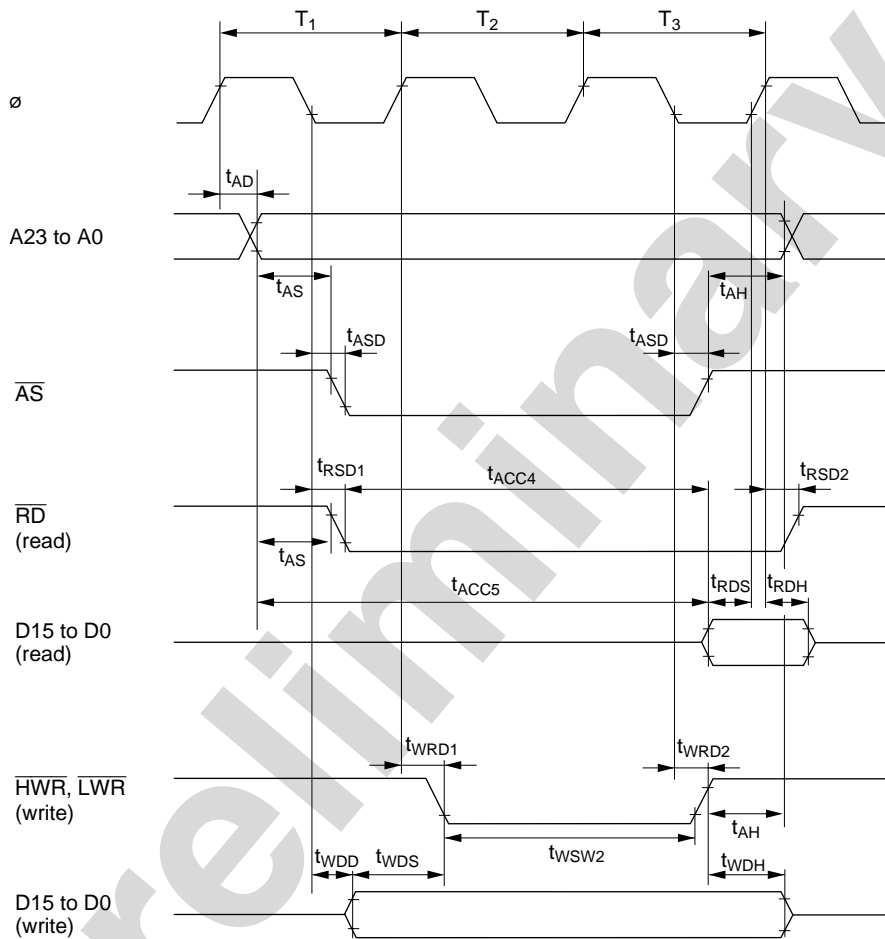
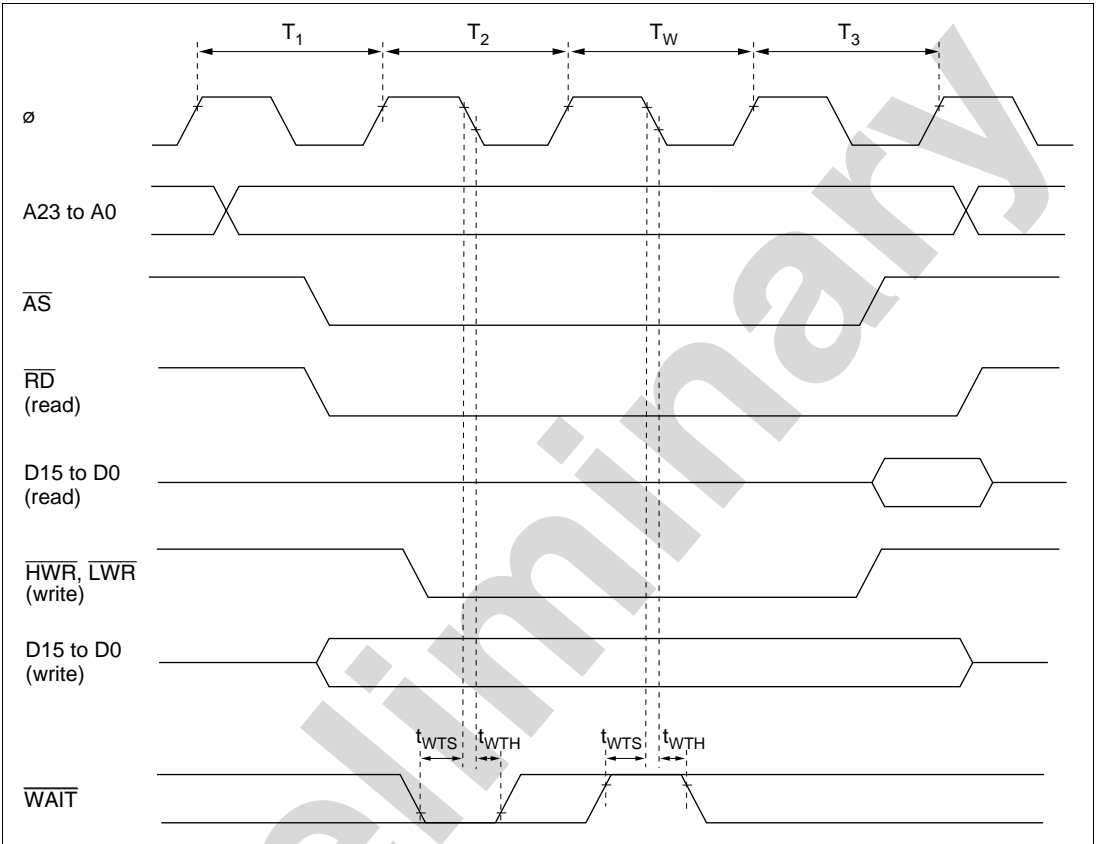
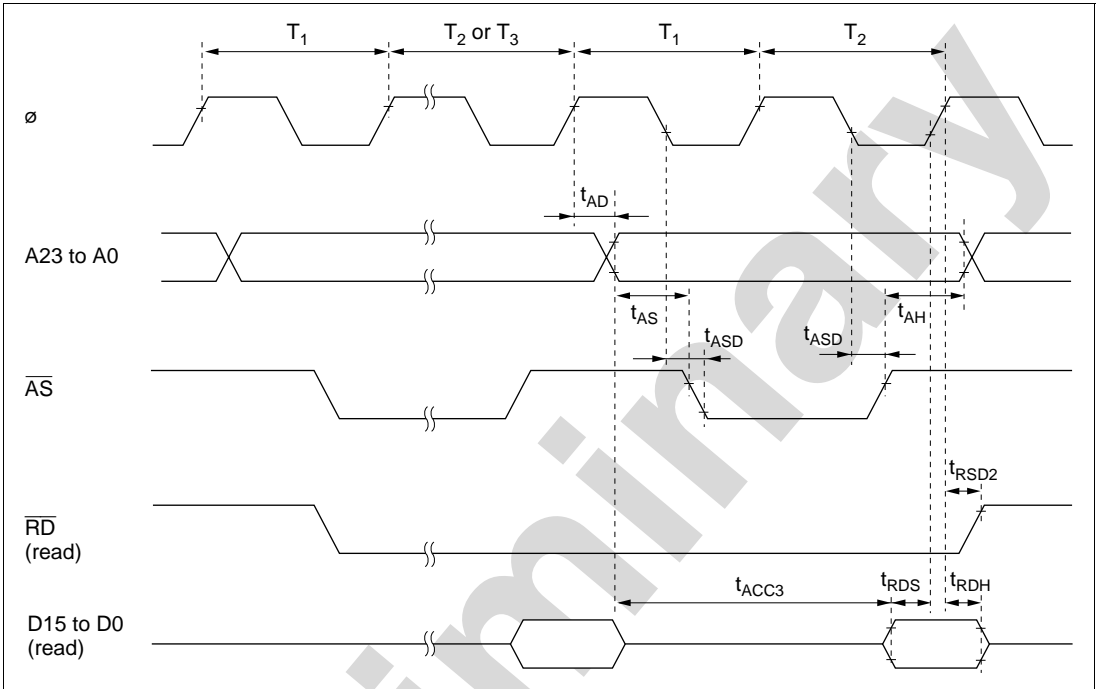


Figure 22-7 Basic Bus Timing (Three-State Access)

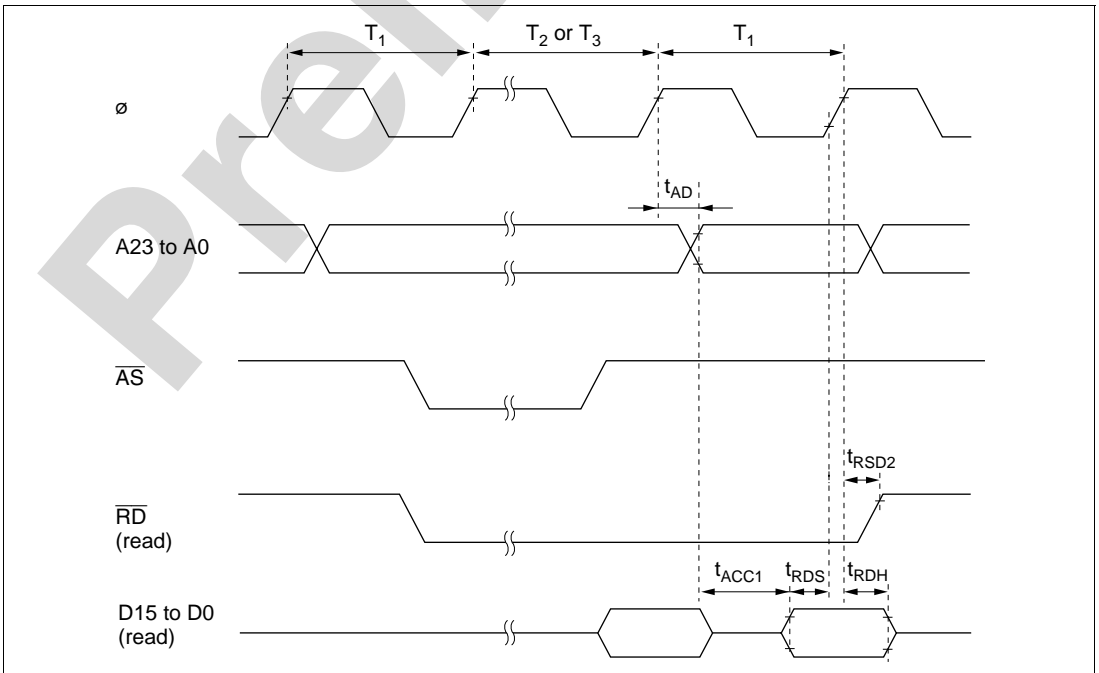


**Figure 22-8 Basic Bus Timing (Three-State Access with One Wait State)**

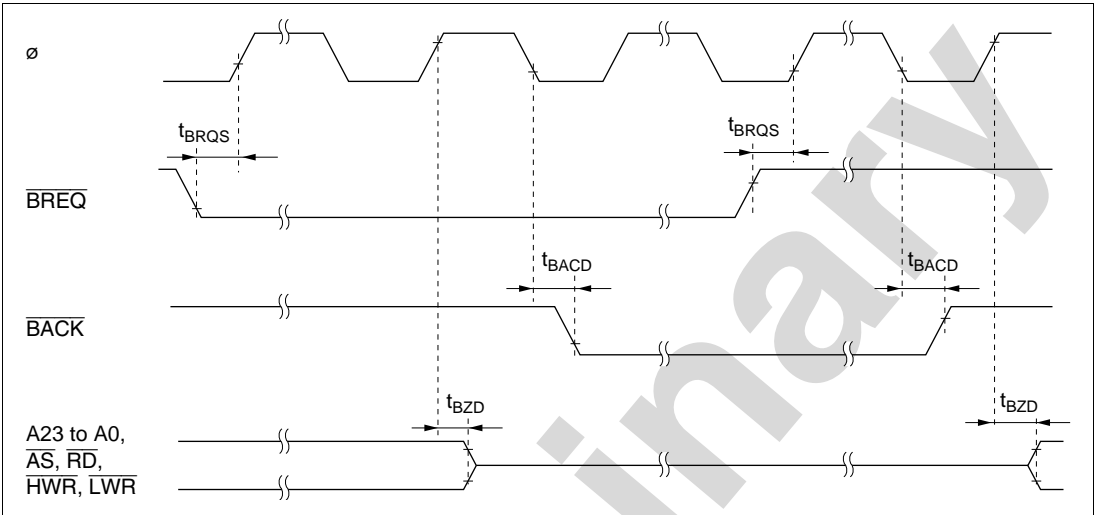




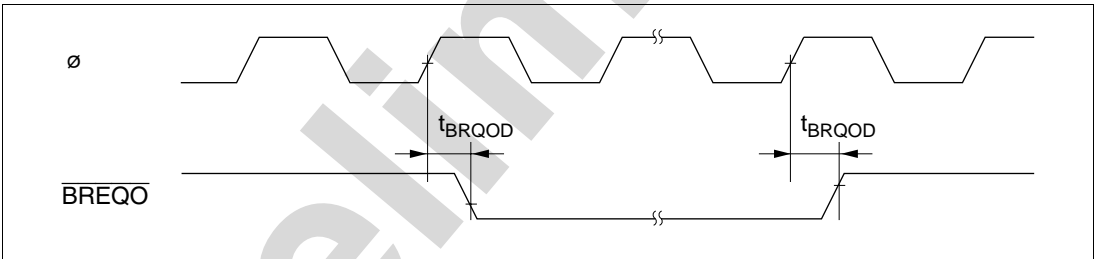
**Figure 22-9 Burst ROM Access Timing (Two-State Access)**



**Figure 22-10 Burst ROM Access Timing (One-State Access)**



**Figure 22-11 External Bus Release Timing**



**Figure 22-12 External Bus Request Output Timing**

### 22.3.4 Timing of On-Chip Supporting Modules

Table 22-7 lists the timing of on-chip supporting modules.

**Table 22-7 Timing of On-Chip Supporting Modules**

— Preliminary —

Conditions:  $V_{CC} = PLLV_{CC} = 3.0\text{ V to }3.6\text{ V}$ ,  $PV_{CC} = 4.5\text{ V to }5.5\text{ V}$ ,  $AV_{CC} = 4.5\text{ V to }5.5\text{ V}$ ,  
 $V_{ref} = 4.5\text{ V to }AV_{CC}$ ,  $V_{SS} = AV_{SS} = 0\text{ V}$ ,  $\phi = 32.768\text{ kHz}$ ,  $4\text{ to }20\text{ MHz}$ ,  $T_a = -20^\circ\text{C to }+75^\circ\text{C}$  (regular specifications),  $T_a = -40^\circ\text{C to }+85^\circ\text{C}$  (wide-range specifications)

Item		Symbol	Min	Max	Unit	Test Conditions	
I/O port	Output data delay time	$t_{PWD}$	—	50	ns	Figure 22-13	
	Input data setup time	$t_{PRS}$	30	—			
	Input data hold time	$t_{PRH}$	30	—			
TPU	Timer output delay time	$t_{TOCD}$	—	50	ns	Figure 22-14	
	Timer input setup time	$t_{TICS}$	30	—			
	Timer clock input setup time	$t_{TCKS}$	30	—	ns	Figure 22-15	
	Timer clock pulse width	Single edge	$t_{TCKWH}$	1.5	—		$t_{cyc}$
		Both edges	$t_{TCKWL}$	2.5	—		
	SCI	Input clock cycle	Asynchronous	$t_{Scyc}$	4		—
Synchronous				6	—		
Input clock pulse width		$t_{SCKW}$	0.4	0.6	$t_{Scyc}$		
Input clock rise time		$t_{SCKr}$	—	1.5	$t_{cyc}$		
Input clock fall time		$t_{SCKf}$	—	1.5			
Transmit data delay time		$t_{TXD}$	—	50	ns	Figure 22-17	
Receive data setup time (synchronous)		$t_{RXS}$	50	—			
Receive data hold time (synchronous)		$t_{RXH}$	50	—			

Item		Symbol	Min	Max	Unit	Test Conditions
A/D converter	Trigger input setup time	$t_{TRGS}$	30	—	ns	Figure 22-18
HCAN*	Transmit data delay time	$t_{HTXD}$	—	100	ns	Figure 22-19
	Transmit data setup time	$t_{HRXS}$	100	—		
	Transmit data hold time	$t_{HRXH}$	100	—		
PPG	Pulse output delay time	$t_{POD}$	—	50	ns	Figure 22-20
WDT0	Overflow output delay time	$t_{WOVD}$	—	50	ns	Figure 22-21
WDT1	Buzz output delay time	$t_{BUZD}$	—	50	ns	Figure 22-22

Note: \* The HCAN input signal is asynchronous. However, its state is judged to have changed at the leading edge (two clock cycles) of the CK clock signal shown in figure 22-19. The HCAN output signal is also asynchronous. Its state changes based on the leading edge (two clock cycles) of the CK clock signal shown in figure 22-19.

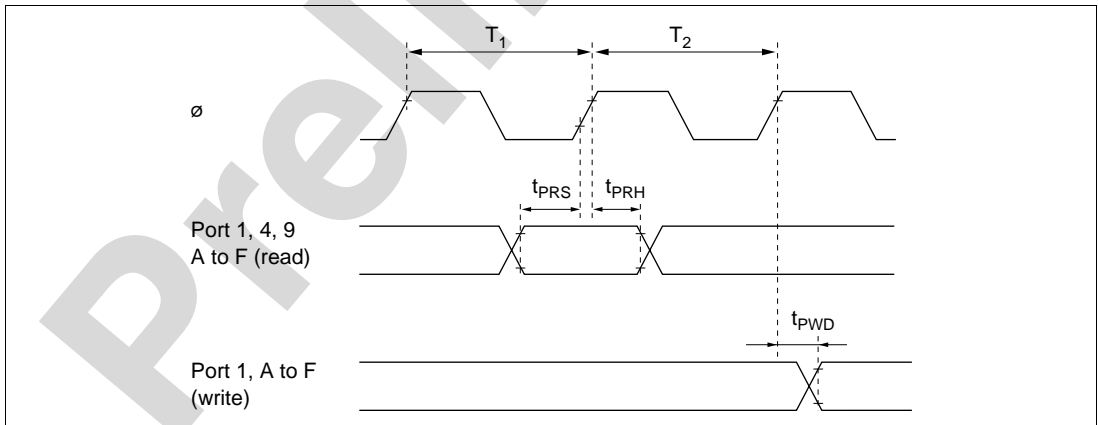
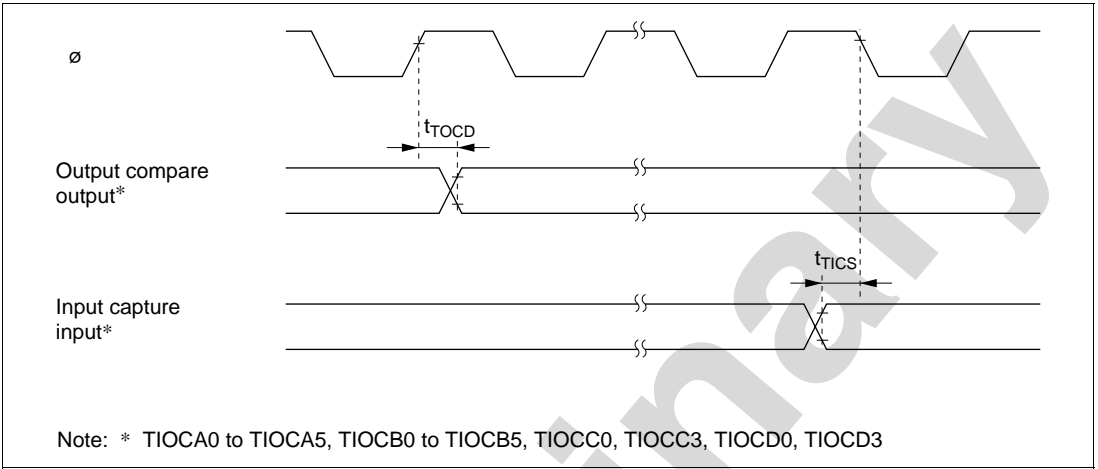
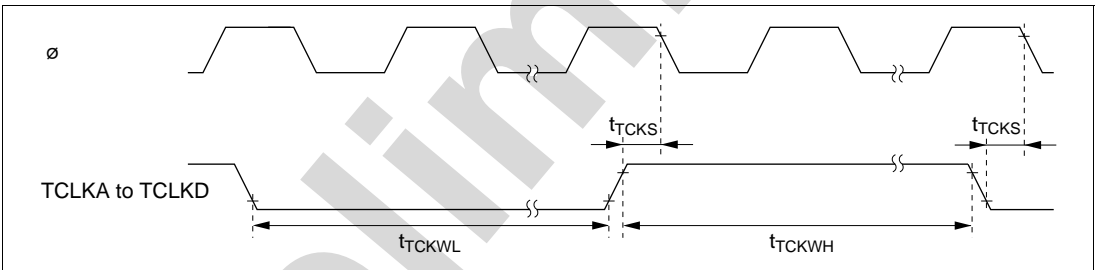


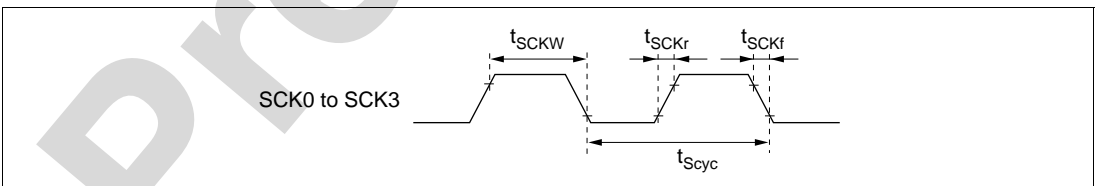
Figure 22-13 I/O Port Input/Output Timing



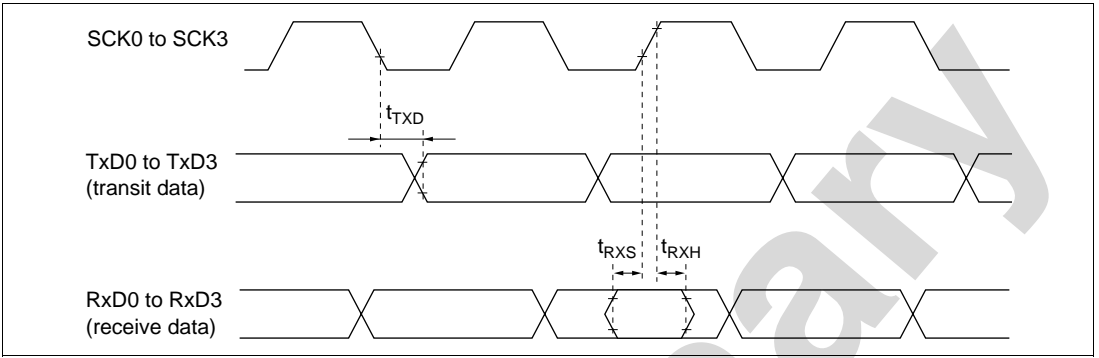
**Figure 22-14 TPU Input/Output Timing**



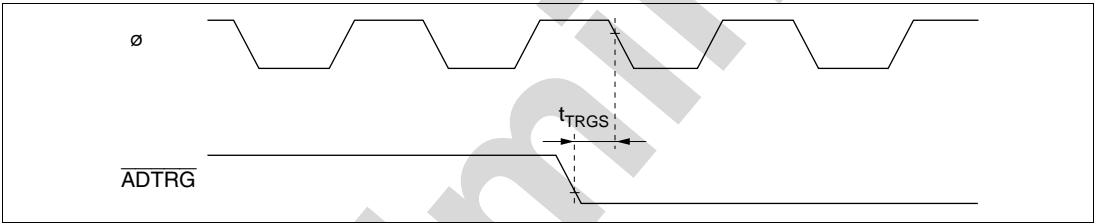
**Figure 22-15 TPU Clock Input Timing**



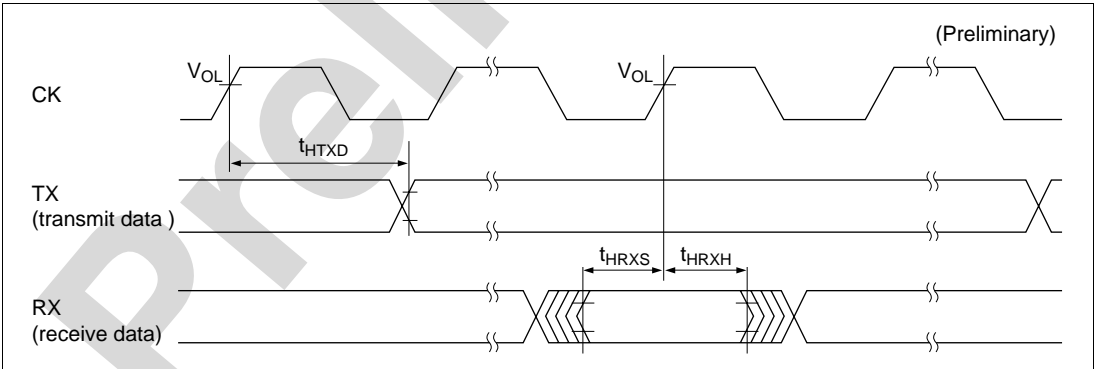
**Figure 22-16 SCK Clock Input Timing**



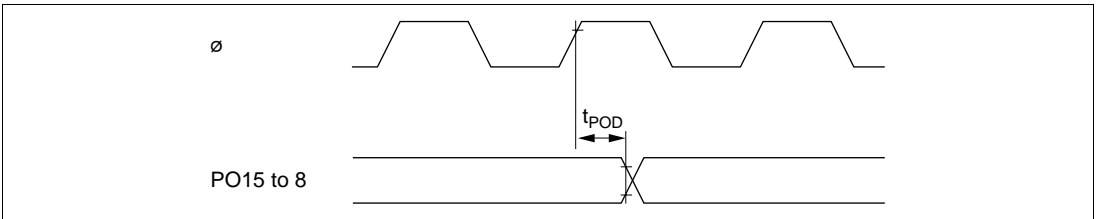
**Figure 22-17 SCI Input/Output Timing (Clock Synchronous Mode)**



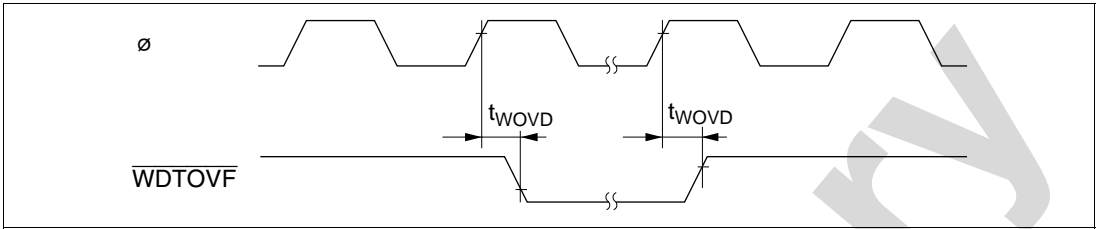
**Figure 22-18 A/D Converter External Trigger Input Timing**



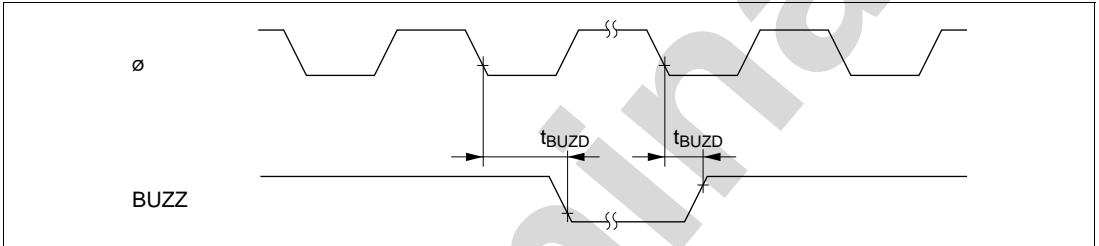
**Figure 22-19 HCAN Input/Output Timing**



**Figure 22-20 PPG Output Timing**



**Figure 22-21 WDT0 Output Timing**



**Figure 22-22 WDT1 Output Timing**

## 22.4 A/D Conversion Characteristics

Table 22-8 lists the A/D conversion characteristics.

**Table 22-8 A/D Conversion Characteristics**

— Preliminary —

Conditions:  $V_{CC} = PLLV_{CC} = 3.0\text{ V to }3.6\text{ V}$ ,  $PV_{CC} = 4.5\text{ V to }5.5\text{ V}$ ,  $AV_{CC} = 4.5\text{ V to }5.5\text{ V}$ ,  $V_{ref} = 4.5\text{ V to }AV_{CC}$ ,  $V_{SS} = AV_{SS} = 0\text{ V}$ ,  $\phi = 4\text{ to }20\text{ MHz}$ ,  $T_a = -20^\circ\text{C to }+75^\circ\text{C}$  (regular specifications),  $T_a = -40^\circ\text{C to }+85^\circ\text{C}$  (wide-range specifications)

Item	Min	Typ	Max	Unit	Test Conditions
Resolution	10	10	10	bits	
Conversion time	—	—	—	$\mu\text{s}$	$AV_{CC} < 4.5\text{ V}$
	10	—	—		$AV_{CC} \geq 4.5\text{ V}$
Analog input capacitance	—	—	20	pF	
Permissible signal-source impedance	—	—	5	k $\Omega$	
Nonlinearity error	—	—	$\pm 3.5$	LSB	
Offset error	—	—	$\pm 3.5$	LSB	
Full-scale error	—	—	$\pm 3.5$	LSB	
Quantization	—	$\pm 0.5$	—	LSB	
Absolute accuracy	—	—	$\pm 4.0$	LSB	

## 22.5 D/A Conversion Characteristics

Table 22-9 shows the D/A conversion characteristics.

**Table 22-9 D/A Conversion Characteristics**

Conditions:  $V_{CC} = PLLV_{CC} = 3.0\text{ V to }3.6\text{ V}$ ,  $PV_{CC} = 4.5\text{ V to }5.5\text{ V}$ ,  $AV_{CC} = 4.5\text{ V to }5.5\text{ V}$ ,  
 $V_{ref} = 4.5\text{ V to }AV_{CC}$ ,  $V_{SS} = AV_{SS} = 0\text{ V}$ ,  $\phi = 4\text{ to }20\text{ MHz}$ ,  $T_a = -20^\circ\text{C to }+75^\circ\text{C}$   
(regular specifications),  $T_a = -40^\circ\text{C to }+85^\circ\text{C}$  (wide-range specifications)

Item	Min	Typ	Max	Unit	Test Conditions
Resolution	8	8	8	bits	
Conversion time	—	—	10	$\mu\text{s}$	20-pF capacitive load
Absolute accuracy	—	$\pm 1.5$	$\pm 2.0$	LSB	2-M $\Omega$ resistive load
	—	—	$\pm 1.5$	LSB	4-M $\Omega$ resistive load



## 22.6 Flash Memory Characteristics

**Table 22-9 Flash Memory Characteristics**

Conditions:  $V_{CC} = 3.0$  to  $3.6$  V,  $AV_{CC} = 4.5$  to  $5.5$  V,  $V_{SS} = AV_{SS} = 0$  V,  $T_a = -20$  to  $+75^\circ\text{C}$  (regular specifications),  $T_a = -40$  to  $+85^\circ\text{C}$  (wide-range specifications)

Item		Symbol	Min	Typ	Max	Unit
Programming time*1 *2 *4		$t_p$	—	10	200	ms/128 bytes
Erase time*1 *3 *5		$t_E$	—	100	1000	ms/block
Number of rewrites		$N_{WEC}$	—	—	100	Times
Programming	Wait time after SWE1 bit setting*1	x0	1	—	—	$\mu\text{s}$
	Wait time after PSU1 bit setting*1	y	50	—	—	$\mu\text{s}$
	Wait time after P1 bit setting*1 *4	z0	—	—	30	$\mu\text{s}$
		z1	—	—	10	$\mu\text{s}$
		z2	—	—	200	$\mu\text{s}$
	Wait time after P1 bit clearing*1	$\alpha$	5	—	—	$\mu\text{s}$
	Wait time after PSU1 bit clearing*1	$\beta$	5	—	—	$\mu\text{s}$
	Wait time after PV1 bit setting*1	$\gamma$	4	—	—	$\mu\text{s}$
	Wait time after H'FF dummy write*1	$\varepsilon$	2	—	—	$\mu\text{s}$
	Wait time after PV1 bit clearing*1	$\eta$	2	—	—	$\mu\text{s}$
	Maximum number of writes*1 *4	N1	—	—	6	Times
N2		—	—	994	Times	
Common	Wait time after SWE1 bit clearing*1	x1	100	—	—	$\mu\text{s}$
Erasing	Wait time after SWE1 bit setting*1	x	1	—	—	$\mu\text{s}$
	Wait time after ESU1 bit setting*1	y	100	—	—	$\mu\text{s}$
	Wait time after E1 bit setting*1 *5	z	—	—	10	ms
	Wait time after E1 bit clearing*1	$\alpha$	10	—	—	$\mu\text{s}$
	Wait time after ESU1 bit clearing*1	$\beta$	10	—	—	$\mu\text{s}$
	Wait time after EV1 bit setting*1	$\gamma$	6	—	—	$\mu\text{s}$
	Wait time after H'FF dummy write*1	$\varepsilon$	2	—	—	$\mu\text{s}$
	Wait time after EV1 bit clearing*1	$\eta$	4	—	—	$\mu\text{s}$
	Maximum number of erases*1 *5	N	—	—	100	Times

Notes: \*1 Follow the program/erase algorithms when making the time settings.

\*2 Programming time per 128 bytes. (Indicates the total time during which the P1 bit is set in flash memory control register 1 (FLMCR1). Does not include the program-verify time.)

\*3 Time to erase one block. (Indicates the time during which the E1 bit is set in FLMCR1. Does not include the erase-verify time.)

\*4 Maximum programming time

$$(t_p(\text{max}) = \text{Wait time after P1 bit setting (z)} \times \text{maximum number of writes (N)}) \\ (z0 + z1) \times 6 + z2 \times 994$$

\*5 Maximum erase time

$$(t_E(\text{max}) = \text{Wait time after E1 bit setting (z)} \times \text{maximum number of erases (N)})$$

## 22.7 Usage Note

Although both the F-ZTAT and mask ROM versions fully meet the electrical specifications listed in this manual, there may be differences in the actual values of the electrical characteristics, operating margins, noise margins, and so forth, due to differences in the fabrication process, the on-chip ROM, and the layout patterns.

Therefore, if a system is evaluated using the F-ZTAT version, a similar evaluation should also be performed using the mask ROM version.

# Appendix A Instruction Set

## A.1 Instruction List

### Operand Notation

Rd	General register (destination)*
Rs	General register (source)*
Rn	General register*
ERn	General register (32-bit register)
MAC	Multiply-and-accumulate register (32-bit register)
(EAd)	Destination operand
(EAs)	Source operand
EXR	Extended control register
CCR	Condition-code register
N	N (negative) flag in CCR
Z	Z (zero) flag in CCR
V	V (overflow) flag in CCR
C	C (carry) flag in CCR
PC	Program counter
SP	Stack pointer
#IMM	Immediate data
disp	Displacement
+	Add
-	Subtract
×	Multiply
÷	Divide
^	Logical AND
∨	Logical OR
⊕	Logical exclusive OR
→	Transfer from the operand on the left to the operand on the right, or transition from the state on the left to the state on the right
¬	Logical NOT (logical complement)
( ) < >	Contents of operand
:8/:16/:24/:32	8-, 16-, 24-, or 32-bit length

Note: \* General registers include 8-bit registers (R0H to R7H, R0L to R7L), 16-bit registers (R0 to R7, E0 to E7), and 32-bit registers (ER0 to ER7).

## Condition Code Notation

### Symbol

↕	Changes according to the result of instruction
*	Undetermined (no guaranteed value)
0	Always cleared to 0
1	Always set to 1
—	Not affected by execution of the instruction

(1) Data Transfer Instructions

Mnemonic	Operand Size	Addressing Mode/ Instruction Length (Bytes)						Operation	Condition Code					No. of States <sup>*1</sup>		
		#xx	Rn	@ERN	@(d,ERN)	@-ERn/@ERN+	@(d,PC)		@aa	@(d,PC)	@aa	I	H	N	Z	V
MOV	B	2						#xx:8→Rd8	—	—	↓	↓	0	—	—	1
	B	2						Rs8→Rd8	—	—	↓	↓	0	—	—	1
	B	2						@ERS→Rd8	—	—	↓	↓	0	—	—	2
	B	4						@(d:16,ERs)→Rd8	—	—	↓	↓	0	—	—	3
	B	8						@(d:32,ERs)→Rd8	—	—	↓	↓	0	—	—	5
	B	2						@ERS→Rd8,ERS32+1→ERS32	—	—	↓	↓	0	—	—	3
	B		2					@aa:8→Rd8	—	—	↓	↓	0	—	—	2
	B		4					@aa:16→Rd8	—	—	↓	↓	0	—	—	3
	B		6					@aa:32→Rd8	—	—	↓	↓	0	—	—	4
	B	2						Rs8→@ERd	—	—	↓	↓	0	—	—	2
	B	4						Rs8→@(d:16,ERd)	—	—	↓	↓	0	—	—	3
	B	8						Rs8→@(d:32,ERd)	—	—	↓	↓	0	—	—	5
	B		2					ERd32:1→ERd32,Rs8→@ERd	—	—	↓	↓	0	—	—	3
	B		2					Rs8→@aa:8	—	—	↓	↓	0	—	—	2
	B		4					Rs8→@aa:16	—	—	↓	↓	0	—	—	3
	B		6					Rs8→@aa:32	—	—	↓	↓	0	—	—	4
	W	4						#xx:16→Rd16	—	—	↓	↓	0	—	—	2
	W	2						Rs16→Rd16	—	—	↓	↓	0	—	—	1
	W	2						@ERS→Rd16	—	—	↓	↓	0	—	—	2

Mnemonic	Operand Size	Addressing Mode/ Instruction Length (Bytes)							Operation	Condition Code					No. of States*1 Advanced	
		#xx	7	@ ERn	@ (d, ERn) @ -ERn/@ ERn+	@ aa @ (d, PC)	@ aa @ @aa	I		H	N	Z	V	C		
MOV	W			4					@ (d:16, ERs) → Rd16	—	—	↑	↑	0	—	3
	W			8					@ (d:32, ERs) → Rd16	—	—	↑	↑	0	—	5
	W			2					@ ERs → Rd16, ERs32+2 → ERs32	—	—	↑	↑	0	—	3
	W			4					@ aa:16 → Rd16	—	—	↑	↑	0	—	3
	W			6					@ aa:32 → Rd16	—	—	↑	↑	0	—	4
	W			2					Rs16 → @ERd	—	—	↑	↑	0	—	2
	W			4					Rs16 → @ (d:16, ERd)	—	—	↑	↑	0	—	3
	W			8					Rs16 → @ (d:32, ERd)	—	—	↑	↑	0	—	5
	W			2					ERd32-2 → ERd32, Rs16 → @ERd	—	—	↑	↑	0	—	3
	W			4					Rs16 → @aa:16	—	—	↑	↑	0	—	3
	W			6					Rs16 → @aa:32	—	—	↑	↑	0	—	4
	L	6							#xx:32 → ERd32	—	—	↑	↑	0	—	3
	L	2							ERs32 → ERd32	—	—	↑	↑	0	—	1
	L	4							@ ERs → ERd32	—	—	↑	↑	0	—	4
	L	6							@ (d:16, ERs) → ERd32	—	—	↑	↑	0	—	5
	L	10							@ (d:32, ERs) → ERd32	—	—	↑	↑	0	—	7
	L	4							@ ERs → ERd32, ERs32+4 → ERs32	—	—	↑	↑	0	—	5
	L	6							@ aa:16 → ERd32	—	—	↑	↑	0	—	5
	L	8							@ aa:32 → ERd32	—	—	↑	↑	0	—	6

Mnemonic	Operand Size	Addressing Mode/ Instruction Length (Bytes)										Operation	Condition Code							No. of States*1						
		#xx	F	ERn	@ERn	@ERn	@ERn/ERn+	@aa	@d,Pc	@aa	I		I	H	N	Z	V	C	Advanced							
																					4	6	10	4	6	8
MOV	MOV.L ERs,@ERd	L																	ERS32→@ERd	—	—	↑	↑	0	—	4
	MOV.L ERs,@(d:16,ERd)	L					6												ERS32→@(d:16,ERd)	—	—	↑	↑	0	—	5
	MOV.L ERs,@(d:32,ERd)	L					10												ERS32→@(d:32,ERd)	—	—	↑	↑	0	—	7
	MOV.L ERs,@-ERd	L					4												ERd32-4→ERd32,ERS32→@ERd	—	—	↑	↑	0	—	5
	MOV.L ERs,@aa:16	L					6												ERS32→@aa:16	—	—	↑	↑	0	—	5
	MOV.L ERs,@aa:32	L					8												ERS32→@aa:32	—	—	↑	↑	0	—	6
POP	POP.W Rn	W																	@SP→Rn16,SP+2→SP	—	—	↑	↑	0	—	3
	POP.L ERn	L																	@SP→ERn32,SP+4→SP	—	—	↑	↑	0	—	5
PUSH	PUSH.W Rn	W																	SP-2→SP,Rn16→@SP	—	—	↑	↑	0	—	3
	PUSH.L ERn	L																	SP-4→SP,ERn32→@SP	—	—	↑	↑	0	—	5
LDM	LDM @SP+,(ERm-ERn)	L																	@SP→ERn32,SP+4→SP	—	—	—	—	—	—	7/9/11 [1]
STM	STM (ERm-ERn),@-SP	L																	Repeated for each register restored	—	—	—	—	—	—	7/9/11 [1]
MOVFP	MOVFP @aa:16,Rd																		Repeated for each register saved							[2]
MOVTP	MOVTP Rn,@aa:16																		Repeated for each register saved							[2]

## (2) Arithmetic Instructions

Mnemonic	Operand Size	Addressing Mode/ Instruction Length (Bytes)						Operation	Condition Code							No. of States*1	
		#xx	Rn	@ERn	@ERn	@ERn	@ERn+1		I	H	N	Z	V	C	Advanced	No. of States*1	
																	Advanced
ADD	B	2						Rd8+#xx:8→Rd8	—	↓	↓	↓	↓	↓	↓	1	1
	B	2						Rd8+Rs8→Rd8	—	↓	↓	↓	↓	↓	↓	1	1
	W	4						Rd16+#xx:16→Rd16	—	[3]	↓	↓	↓	↓	↓	2	2
	W	2						Rd16+Rs16→Rd16	—	[3]	↓	↓	↓	↓	↓	1	1
	L	6						ERd32+#xx:32→ERd32	—	[4]	↓	↓	↓	↓	↓	3	3
	L	2						ERd32+ERs32→ERd32	—	[4]	↓	↓	↓	↓	↓	1	1
ADDX	B	2						Rd8+#xx:8+C→Rd8	—	↓	↓	[5]	↓	↓	↓	1	1
	B	2						Rd8+Rs8+C→Rd8	—	↓	↓	[5]	↓	↓	↓	1	1
ADDS	L	2						ERd32+1→ERd32	—	—	—	—	—	—	—	1	1
	L	2						ERd32+2→ERd32	—	—	—	—	—	—	1	1	
	L	2						ERd32+4→ERd32	—	—	—	—	—	—	1	1	
	B	2						Rd8+1→Rd8	—	↓	↓	↓	↓	↓	1	1	
INC	W	2						Rd16+1→Rd16	—	↓	↓	↓	↓	↓	1	1	
	W	2						Rd16+2→Rd16	—	↓	↓	↓	↓	↓	1	1	
	L	2						ERd32+1→ERd32	—	↓	↓	↓	↓	↓	1	1	
	L	2						ERd32+2→ERd32	—	↓	↓	↓	↓	↓	1	1	
	B	2						Rd8 decimal adjust→Rd8	—	*	↓	↓	*	↓	1	1	
SUB	B	2						Rd8-Rs8→Rd8	—	↓	↓	↓	↓	↓	1	1	
	W	4						Rd16+#xx:16→Rd16	—	[3]	↓	↓	↓	↓	2	2	



	Mnemonic	Operand Size	Addressing Mode/ Instruction Length (Bytes)							Operation	Condition Code						No. of States*1							
			#xx	Rn	@ERN	@(d,ERn)	@-ERn/@ERN+	@aa	@(d,PC)		@aa	@	I	H	N	Z		V	C					
SUB	SUB.W Rs,Rd	W	2															↓	↓	↓	1			
	SUB.L #xx:32,ERd	L	6																		↓	↓	3	
	SUB.L ERs,ERd	L	2																		↓	↓	1	
SUBX	SUBX #xx:8,Rd	B	2																		↓	[5]	↓	1
	SUBX Rs,Rd	B	2																		↓	[5]	↓	1
SUBS	SUBS #1,ERd	L	2																					1
	SUBS #2,ERd	L	2																					1
	SUBS #4,ERd	L	2																					1
	DEC.B Rd	B	2																		↓	↓	↓	1
DEC	DEC.W #1,Rd	W	2																					1
	DEC.W #2,Rd	W	2																					1
	DEC.L #1,ERd	L	2																					1
	DEC.L #2,ERd	L	2																					1
DAS	DAS Rd	B	2																		*	↓	*	1
	MULXU.B Rs,Rd	B	2																					3
MULXS	MULXU.W Rs,ERd	W	2																					4
	MULXS.B Rs,Rd	B	4																					4
	MULXS.W Rs,ERd	W	4																					5

Mnemonic	Operand Size	Addressing Mode/ Instruction Length (Bytes)							Operation	Condition Code							No. of States*1	
		#xx	F <sub>n</sub>	@ERN	@ (d,ERn)	@ -FRn/@ ERn+	@aa	@ (d,PC)		@aa	I	H	N	Z	V	C		Advanced
DIVXU	B	2										[6]	[7]	—	—	12		
												[6]	[7]	—	—	20		
DIVXS	B	4										[8]	[7]	—	—	13		
	W	4										[8]	[7]	—	—	21		
CMP	B	2										↑	↑	↑	↑	1		
	B	2										↑	↑	↑	↑	1		
	W	4									[3]	↑	↑	↑	↑	2		
	W	2										[3]	↑	↑	↑	1		
	L	6										[4]	↑	↑	↑	3		
	L	2										[4]	↑	↑	↑	1		
NEG	B	2										↑	↑	↑	↑	1		
	W	2										↑	↑	↑	↑	1		
	L	2										↑	↑	↑	↑	1		
EXTU	W	2										—	0	↑	0	1		
	L	2										—	0	↑	0	1		

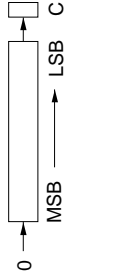
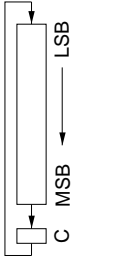
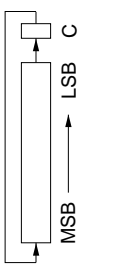
	Mnemonic	Operand Size	Addressing Mode/ Instruction Length (Bytes)							Operation	Condition Code					No. of States*1
			#xx	Rn	@ERn	@(d,ERn)	@-ERn/@ERn+	@aa	@(d,PC)		@aa	I	H	N	Z	
EXTS	EXTS.W Rd	W	2									↕	↕	0	—	1
	EXTS.L ERd	L	2									↕	↕	0	—	1
TAS	TAS @ERd *3	B	4									↕	↕	0	—	4
MAC	MAC @ERn+, @ERm+	—		4								—	—	—	—	4
CLRMAC	CLRMAC	—						2				—	—	—	—	2 [11]
LDMAC	LDMAC ERs, MACH	L	2									—	—	—	—	2 [11]
	LDMAC ERs, MACL	L	2									—	—	—	—	2 [11]
STMAC	STMAC MACH, ERd	L	2									↕	↕	↕	↕	1 [11]
	STMAC MACL, ERd	L	2									↕	↕	↕	↕	1 [11]

### (3) Logical Instructions

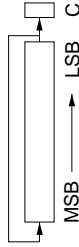
Mnemonic	Operand Size	Addressing Mode/ Instruction Length (Bytes)						Operation	Condition Code							No. of States*1	
		#xx	@ERn	@ERn (d,ERn)	@-ERn/ @ERn+	@aa	@ (d,PC) @aa		I	I	H	N	Z	V	C	Advanced	1
AND	AND.B #xx:8,Rd	B	2					Rd8, #xx:8 → Rd8	—	—	↕	↕	0	—	1		
	AND.B Rs, Rd	B	2					Rd8, Rs8 → Rd8	—	—	↕	↕	0	—	1		
	AND.W #xx:16,Rd	W	4					Rd16, #xx:16 → Rd16	—	—	↕	↕	0	—	2		
	AND.W Rs, Rd	W	2					Rd16, Rs16 → Rd16	—	—	↕	↕	0	—	1		
	AND.L #xx:32,ERd	L	6					ERd32, #xx:32 → ERd32	—	—	↕	↕	0	—	3		
	AND.L ERs, ERd	L	4					ERd32, ERs32 → ERd32	—	—	↕	↕	0	—	2		
OR	OR.B #xx:8,Rd	B	2					Rd8, #xx:8 → Rd8	—	—	↕	↕	0	—	1		
	OR.B Rs, Rd	B	2					Rd8, Rs8 → Rd8	—	—	↕	↕	0	—	1		
	OR.W #xx:16,Rd	W	4					Rd16, #xx:16 → Rd16	—	—	↕	↕	0	—	2		
	OR.W Rs, Rd	W	2					Rd16, Rs16 → Rd16	—	—	↕	↕	0	—	1		
	OR.L #xx:32,ERd	L	6					ERd32, #xx:32 → ERd32	—	—	↕	↕	0	—	3		
	OR.L ERs, ERd	L	4					ERd32, ERs32 → ERd32	—	—	↕	↕	0	—	2		
XOR	XOR.B #xx:8,Rd	B	2					Rd8, #xx:8 → Rd8	—	—	↕	↕	0	—	1		
	XOR.B Rs, Rd	B	2					Rd8, Rs8 → Rd8	—	—	↕	↕	0	—	1		
	XOR.W #xx:16,Rd	W	4					Rd16, #xx:16 → Rd16	—	—	↕	↕	0	—	2		
	XOR.W Rs, Rd	W	2					Rd16, Rs16 → Rd16	—	—	↕	↕	0	—	1		
	XOR.L #xx:32,ERd	L	6					ERd32, #xx:32 → ERd32	—	—	↕	↕	0	—	3		
	XOR.L ERs, ERd	L	4					ERd32, ERs32 → ERd32	—	—	↕	↕	0	—	2		
NOT	NOT.B Rd	B	2					¬ Rd8 → Rd8	—	—	↕	↕	0	—	1		
	NOT.W Rd	W	2					¬ Rd16 → Rd16	—	—	↕	↕	0	—	1		
	NOT.L ERd	L	2					¬ ERd32 → ERd32	—	—	↕	↕	0	—	1		

#### (4) Shift Instructions

Mnemonic	Operand Size	Addressing Mode/ Instruction Length (Bytes)						Operation	Condition Code							No. of States*1 Advanced
		#xx	Rn	@(d,ERn)	@(d,ERn)+	@aa	@(d,PC)		@aa	I	H	N	Z	V	C	
SHAL	SHAL.B Rd	B	2						—	—	↕	↕	↕	↕	↕	1
	SHAL.B #2,Rd	B	2						—	—	↕	↕	↕	↕	↕	1
	SHAL.W Rd	W	2						—	—	↕	↕	↕	↕	↕	1
	SHAL.W #2,Rd	W	2						—	—	↕	↕	↕	↕	↕	1
	SHAL.L ERd	L	2						—	—	↕	↕	↕	↕	↕	1
	SHAL.L #2,ERd	L	2						—	—	↕	↕	↕	↕	↕	1
SHAR	SHAR.B Rd	B	2						—	—	↕	↕	↕	↕	↕	1
	SHAR.B #2,Rd	B	2						—	—	↕	↕	↕	↕	↕	1
	SHAR.W Rd	W	2						—	—	↕	↕	↕	↕	↕	1
	SHAR.W #2,Rd	W	2						—	—	↕	↕	↕	↕	↕	1
	SHAR.L ERd	L	2						—	—	↕	↕	↕	↕	↕	1
	SHAR.L #2,ERd	L	2						—	—	↕	↕	↕	↕	↕	1
SHLL	SHLL.B Rd	B	2						—	—	↕	↕	↕	↕	↕	1
	SHLL.B #2,Rd	B	2						—	—	↕	↕	↕	↕	↕	1
	SHLL.W Rd	W	2						—	—	↕	↕	↕	↕	↕	1
	SHLL.W #2,Rd	W	2						—	—	↕	↕	↕	↕	↕	1
	SHLL.L ERd	L	2						—	—	↕	↕	↕	↕	↕	1
	SHLL.L #2,ERd	L	2						—	—	↕	↕	↕	↕	↕	1

Mnemonic	Operand Size	Addressing Mode/ Instruction Length (Bytes)								Operation	Condition Code						No. of States*1 Advanced
		#xx	Rn	@ERn	@(d,ERn)	@-ERn/@ERn+	@aa	@(d,PC)	@aa		I	H	N	Z	V	C	
SHLR	SHLR.B Rd	B	2								—	—	0	↑	0	↓	1
	SHLR.B #2,Rd	B	2								—	—	0	↑	0	↓	1
	SHLR.W Rd	W	2								—	—	0	↑	0	↓	1
	SHLR.W #2,Rd	W	2								—	—	0	↑	0	↓	1
	SHLR.L ERd	L	2								—	—	0	↑	0	↓	1
	SHLR.L #2,ERd	L	2								—	—	0	↑	0	↓	1
ROTXL	ROTXL.B Rd	B	2								—	—	↑	↑	0	↓	1
	ROTXL.B #2,Rd	B	2								—	—	↑	↑	0	↓	1
	ROTXL.W Rd	W	2								—	—	↑	↑	0	↓	1
	ROTXL.W #2,Rd	W	2								—	—	↑	↑	0	↓	1
	ROTXL.L ERd	L	2								—	—	↑	↑	0	↓	1
	ROTXL.L #2,ERd	L	2								—	—	↑	↑	0	↓	1
ROTXR	ROTXR.B Rd	B	2								—	—	↑	↑	0	↓	1
	ROTXR.B #2,Rd	B	2								—	—	↑	↑	0	↓	1
	ROTXR.W Rd	W	2								—	—	↑	↑	0	↓	1
	ROTXR.W #2,Rd	W	2								—	—	↑	↑	0	↓	1
	ROTXR.L ERd	L	2								—	—	↑	↑	0	↓	1
	ROTXR.L #2,ERd	L	2								—	—	↑	↑	0	↓	1

Mnemonic	Operand Size	Addressing Mode/ Instruction Length (Bytes)							Operation	Condition Code					No. of States*1 Advanced
		#xx	Rn	@ERN	@(d,ERn)	@-FRn/@FRn+	@aa	@(d,PC)		@aa	I	H	N	Z	
ROTL	B	2									↕	↕	0	↕	1
	B	2									↕	↕	0	↕	1
	W	2									↕	↕	0	↕	1
	W	2									↕	↕	0	↕	1
	L	2									↕	↕	0	↕	1
	L	2									↕	↕	0	↕	1
ROTR	B	2									↕	↕	0	↕	1
	B	2									↕	↕	0	↕	1
	W	2									↕	↕	0	↕	1
	W	2									↕	↕	0	↕	1
	L	2									↕	↕	0	↕	1
	L	2									↕	↕	0	↕	1



## (5) Bit-Manipulation Instructions

Mnemonic	Operand Size	Addressing Mode/ Instruction Length (Bytes)						Operation	Condition Code					No. of States*1				
		#xx	Rn	@ERN	@d,ERn	@-ERn/ @ERN+	@aa		@d,P	@aa	I	H	N	Z	V	C	Advanced	No. of States*1
BSET	B	2						(#xx:3 of Rd8)←1	—	—	—	—	—	—	—	1		
	B	4						(#xx:3 of @ERd)←1	—	—	—	—	—	—	—	4		
	B					4		(#xx:3 of @aa:8)←1	—	—	—	—	—	—	—	4		
	B					6		(#xx:3 of @aa:16)←1	—	—	—	—	—	—	—	5		
	B					8		(#xx:3 of @aa:32)←1	—	—	—	—	—	—	—	6		
	B	2						(Rn8 of Rd8)←1	—	—	—	—	—	—	—	1		
	B	4						(Rn8 of @ERd)←1	—	—	—	—	—	—	—	4		
	B					4		(Rn8 of @aa:8)←1	—	—	—	—	—	—	—	4		
	B					6		(Rn8 of @aa:16)←1	—	—	—	—	—	—	—	5		
	B					8		(Rn8 of @aa:32)←1	—	—	—	—	—	—	—	6		
BCLR	B	2						(#xx:3 of Rd8)←0	—	—	—	—	—	—	—	1		
	B	4						(#xx:3 of @ERd)←0	—	—	—	—	—	—	—	4		
	B					4		(#xx:3 of @aa:8)←0	—	—	—	—	—	—	—	4		
	B					6		(#xx:3 of @aa:16)←0	—	—	—	—	—	—	—	5		
	B					8		(#xx:3 of @aa:32)←0	—	—	—	—	—	—	—	6		
	B	2						(Rn8 of Rd8)←0	—	—	—	—	—	—	—	1		
	B	4						(Rn8 of @ERd)←0	—	—	—	—	—	—	—	4		
	B					4		(Rn8 of @aa:8)←0	—	—	—	—	—	—	—	4		
	B					6		(Rn8 of @aa:16)←0	—	—	—	—	—	—	—	5		
	B					8		(Rn8 of @aa:32)←0	—	—	—	—	—	—	—	6		



Mnemonic	Operand Size	Addressing Mode/ Instruction Length (Bytes)							Operation	Condition Code					No. of States*1		
		#xx	Rn	@ERn	@d,ERn	@-ERn/@ERn+	@aa	@d,PC		@aa	I	H	N	Z		V	C
BCLR	B					8			(Rn8 of @aa:32)←0	—	—	—	—	—	6		
BNOT	B	2							(#xx:3 of Rd8)← [¬ (#xx:3 of Rd8)]	—	—	—	—	—	1		
	B	4							(#xx:3 of @ERd)← [¬ (#xx:3 of @ERd)]	—	—	—	—	—	4		
	B		4						(#xx:3 of @aa:8)← [¬ (#xx:3 of @aa:8)]	—	—	—	—	—	4		
	B		6						(#xx:3 of @aa:16)← [¬ (#xx:3 of @aa:16)]	—	—	—	—	—	5		
	B		8						(#xx:3 of @aa:32)← [¬ (#xx:3 of @aa:32)]	—	—	—	—	—	6		
	B	2							(Rn8 of Rd8)← [¬ (Rn8 of Rd8)]	—	—	—	—	—	1		
	B	4							(Rn8 of @ERd)← [¬ (Rn8 of @ERd)]	—	—	—	—	—	4		
	B		4						(Rn8 of @aa:8)← [¬ (Rn8 of @aa:8)]	—	—	—	—	—	4		
	B		6						(Rn8 of @aa:16)← [¬ (Rn8 of @aa:16)]	—	—	—	—	—	5		
	B		8						(Rn8 of @aa:32)← [¬ (Rn8 of @aa:32)]	—	—	—	—	—	6		
BTST	B					8			(Rn8 of @aa:32)← [¬ (Rn8 of @aa:32)]	—	—	—	—	—	6		
	B	2							¬ (#xx:3 of Rd8)→Z	—	—	↑	—	—	1		
	B	4							¬ (#xx:3 of @ERd)→Z	—	—	↑	—	—	3		
	B		4						¬ (#xx:3 of @aa:8)→Z	—	—	↑	—	—	3		
	B		6						¬ (#xx:3 of @aa:16)→Z	—	—	↑	—	—	4		
	B		8						¬ (#xx:3 of @aa:32)→Z	—	—	↑	—	—	4		

Mnemonic	Operand Size	Addressing Mode/ Instruction Length (Bytes)							Operation	Condition Code							No. of States*1 Advanced
		#xx	F <sub>7</sub>	@ERn	@d,ERn	@-ERn/ @ERn+	@aa	@d,PC @aa		I	H	N	Z	V	C		
																I	
BTST	B					8		¬ (#xx:3 of @aa:32)→Z	—	—	↓	—	—	—	5		
	B	2						¬ (Rn8 of Rd8)→Z	—	—	↓	—	—	—	1		
	B		4					¬ (Rn8 of @ERd)→Z	—	—	↓	—	—	—	3		
	B			4				¬ (Rn8 of @aa:8)→Z	—	—	↓	—	—	—	3		
	B				6			¬ (Rn8 of @aa:16)→Z	—	—	↓	—	—	—	4		
	B					8		¬ (Rn8 of @aa:32)→Z	—	—	↓	—	—	—	5		
BLD	B	2						(#xx:3 of Rd8)→C	—	—	—	—	↓	—	1		
	B		4					(#xx:3 of @ERd)→C	—	—	—	—	↓	—	3		
	B			4				(#xx:3 of @aa:8)→C	—	—	—	—	↓	—	3		
	B				6			(#xx:3 of @aa:16)→C	—	—	—	—	↓	—	4		
	B					8		(#xx:3 of @aa:32)→C	—	—	—	—	↓	—	5		
	B	2						¬ (#xx:3 of Rd8)→C	—	—	—	—	↓	—	1		
BILD	B		4					¬ (#xx:3 of @ERd)→C	—	—	—	—	↓	—	3		
	B			4				¬ (#xx:3 of @aa:8)→C	—	—	—	—	↓	—	3		
	B				6			¬ (#xx:3 of @aa:16)→C	—	—	—	—	↓	—	4		
	B					8		¬ (#xx:3 of @aa:32)→C	—	—	—	—	↓	—	5		
	B	2						¬ (#xx:3 of Rd8)→C	—	—	—	—	↓	—	1		
	B		4					¬ (#xx:3 of @aa:8)→C	—	—	—	—	↓	—	3		
BST	B					6		¬ (#xx:3 of @aa:16)→C	—	—	—	—	↓	—	4		
	B						8	¬ (#xx:3 of @aa:32)→C	—	—	—	—	↓	—	5		
	B	2						C→(#xx:3 of Rd8)	—	—	—	—	—	—	1		
	B		4					C→(#xx:3 of @ERd24)	—	—	—	—	—	—	4		
	B					4		C→(#xx:3 of @aa:8)	—	—	—	—	—	—	4		
	B								—	—	—	—	—	—	—		

Mnemonic	Operand Size	Addressing Mode/ Instruction Length (Bytes)										Condition Code					No. of States*1 Advanced		
		#xx	Rn	@ERN	@d,ERN)	@-FRn/@ERN+	@aa	@d,PC)	@aa		Operation	I	H	N	Z	V		C	
																			I
BST	BST #xx:3, @aa:16	B							6			C→(#xx:3 of @aa:16)	—	—	—	—	—	5	
	BST #xx:3, @aa:32	B						8				C→(#xx:3 of @aa:32)	—	—	—	—	—	6	
BIST	BIST #xx:3,Rd	B	2									¬ C→(#xx:3 of Rd8)	—	—	—	—	—	1	
	BIST #xx:3,@ERd	B	4									¬ C→(#xx:3 of @ERd24)	—	—	—	—	—	4	
	BIST #xx:3,@aa:8	B					4					¬ C→(#xx:3 of @aa:8)	—	—	—	—	—	4	
	BIST #xx:3,@aa:16	B					6					¬ C→(#xx:3 of @aa:16)	—	—	—	—	—	5	
	BIST #xx:3,@aa:32	B					8					¬ C→(#xx:3 of @aa:32)	—	—	—	—	—	6	
	BAND	BAND #xx:3,Rd	B	2									C^(#xx:3 of Rd8)→C	—	—	—	↑	—	1
BIAND	BAND #xx:3,@ERd	B	4									C^(#xx:3 of @ERd24)→C	—	—	—	↑	—	3	
	BAND #xx:3,@aa:8	B					4					C^(#xx:3 of @aa:8)→C	—	—	—	↑	—	3	
	BAND #xx:3,@aa:16	B					6					C^(#xx:3 of @aa:16)→C	—	—	—	↑	—	4	
	BAND #xx:3,@aa:32	B					8					C^(#xx:3 of @aa:32)→C	—	—	—	↑	—	5	
	BIAND	BIAND #xx:3,Rd	B	2									C^(¬ (#xx:3 of Rd8))→C	—	—	—	↑	—	1
	BIAND	BIAND #xx:3,@ERd	B	4									C^(¬ (#xx:3 of @ERd24))→C	—	—	—	↑	—	3
BOR	BIAND #xx:3,@aa:8	B					4					C^(¬ (#xx:3 of @aa:8))→C	—	—	—	↑	—	3	
	BIAND #xx:3,@aa:16	B					6					C^(¬ (#xx:3 of @aa:16))→C	—	—	—	↑	—	4	
	BIAND #xx:3,@aa:32	B					8					C^(¬ (#xx:3 of @aa:32))→C	—	—	—	↑	—	5	
	BOR #xx:3,Rd	B	2									C^(#xx:3 of Rd8)→C	—	—	—	↑	—	1	
	BOR #xx:3,@ERd	B	4									C^(#xx:3 of @ERd24)→C	—	—	—	↑	—	3	



## (6) Branch Instructions

Mnemonic	Operand Size	Addressing Mode/ Instruction Length (Bytes)								Operation	Branching Condition	Condition Code					No. of States*1	
		#xx	Rn	@ ERn	(d, ERn)	@ ERn/ERn+	@ (d, PC)	@ aa				I	H	N	Z	V		C
Bcc	—									2		Always	—	—	—	—	—	2
BRA d:8(BT d:8)	—									4		if condition is true then PC ← PC+d else next;	—	—	—	—	—	3
BRA d:16(BT d:16)	—									2			Never	—	—	—	—	—
BRN d:8(BF d:8)	—									4		CZ=0	—	—	—	—	—	3
BRN d:16(BF d:16)	—									2			CZ=1	—	—	—	—	—
BHI d:8	—									4		C=0		—	—	—	—	—
BHI d:16	—									2			C=1	—	—	—	—	—
BLS d:8	—									4		C=0		—	—	—	—	—
BLS d:16	—									2			C=1	—	—	—	—	—
BCC d:8(BHS d:8)	—									4		Z=0		—	—	—	—	—
BCC d:16(BHS d:16)	—									2			Z=1	—	—	—	—	—
BCS d:8(BLO d:8)	—									4		Z=0		—	—	—	—	—
BCS d:16(BLO d:16)	—									2			Z=1	—	—	—	—	—
BNE d:8	—									4		V=0		—	—	—	—	—
BNE d:16	—									2			V=0	—	—	—	—	—
BEQ d:8	—									4		V=0		—	—	—	—	—
BEQ d:16	—									2			V=0	—	—	—	—	—
BVC d:8	—									4		V=0		—	—	—	—	—
BVC d:16	—									2			V=0	—	—	—	—	—



Mnemonic	Operand Size	Addressing Mode/ Instruction Length (Bytes)										Condition Code						No. of States*1 Advanced
		#xx	Rn	@ERn	@ (d,ERn)	@-ERn/@ERn+	@aa	@ (d,PC)	@aa		Operation	I	H	N	Z	V	C	
JMP	JMP @ERn	—		2														2
	JMP @aa:24	—				4												3
	JMP @aa:8	—						2										5
BSR	BSR d:8	—						2										4
	BSR d:16	—						4										5
JSR	JSR @ERn	—		2														4
	JSR @aa:24	—				4												5
	JSR @aa:8	—						2										6
RTS	RTS	—																5

## (7) System Control Instructions

	Mnemonic	Operand Size	Addressing Mode/ Instruction Length (Bytes)										Operation	Condition Code							No. of States*1					
			#xx	Rn	@ERn	@(d,ERn)	@-ERn/@ERn+	@aa	@(d,PC)	@@aa		I		H	N	Z	V	C								
TRAPA	TRAPA #xx:2	—																1	—	—	—	—	—	—	8 [13]	
RTE	RTE	—																↑	↑	↑	↑	↑	↑	↑	5 [13]	
SLEEP	SLEEP	—																—	—	—	—	—	—	—	2	
LDC	LDC #xx:8,CCR	B 2																↑	↑	↑	↑	↑	↑	↑	1	
	LDC #xx:8,EXR	B 4																—	—	—	—	—	—	—	2	
	LDC Rs,CCR	B 2																↑	↑	↑	↑	↑	↑	↑	1	
	LDC Rs,EXR	B 2																—	—	—	—	—	—	—	1	
	LDC @ERs,CCR	W 4																↑	↑	↑	↑	↑	↑	↑	3	
	LDC @ERs,EXR	W 4																—	—	—	—	—	—	—	3	
	LDC @(d:16,ERs),CCR	W 6																↑	↑	↑	↑	↑	↑	↑	4	
	LDC @(d:16,ERs),EXR	W 6																—	—	—	—	—	—	—	4	
	LDC @(d:32,ERs),CCR	W 10																↑	↑	↑	↑	↑	↑	↑	↑	6
	LDC @(d:32,ERs),EXR	W 10																↑	↑	↑	↑	↑	↑	↑	↑	6
	LDC @ERs+,CCR	W 4																↑	↑	↑	↑	↑	↑	↑	↑	4
	LDC @ERs+,EXR	W 4																—	—	—	—	—	—	—	—	4
	LDC @aa:16,CCR	W 6																↑	↑	↑	↑	↑	↑	↑	↑	4
LDC @aa:16,EXR	W 6																—	—	—	—	—	—	—	—	4	
LDC @aa:32,CCR	W 8																↑	↑	↑	↑	↑	↑	↑	↑	5	
LDC @aa:32,EXR	W 8																↑	↑	↑	↑	↑	↑	↑	↑	5	



Mnemonic	Operand Size	Addressing Mode/ Instruction Length (Bytes)										Operation	Condition Code					No. of States* <sup>61</sup> Advanced
		#xx	Rn	@ERn	@ (d,ERn)	@-ERn/ @ERn+	@aa	@ (d,PC)	@ aa		Condition Code							
											I		H	N	Z	V	C	
STC	B	2										CCR→Rd8	—	—	—	—	—	1
	B	2										EXR→Rd8	—	—	—	—	—	1
	W		4									CCR→@ERd	—	—	—	—	—	3
	W		4									EXR→@ERd	—	—	—	—	—	3
	W			6								CCR→@(d:16,ERd)	—	—	—	—	—	4
	W			6								EXR→@(d:16,ERd)	—	—	—	—	—	4
	W			10								CCR→@(d:32,ERd)	—	—	—	—	—	6
	W			10								EXR→@(d:32,ERd)	—	—	—	—	—	6
	W			4								ERd32-2→ERd32,CCR→@ERd	—	—	—	—	—	4
	W			4								ERd32-2→ERd32,EXR→@ERd	—	—	—	—	—	4
ANDC	W			6								CCR→@aa:16	—	—	—	—	—	4
	W			6								EXR→@aa:16	—	—	—	—	—	4
	W			8								CCR→@aa:32	—	—	—	—	—	5
	W			8								EXR→@aa:32	—	—	—	—	—	5
ANDC	B	2										CCR, #xx:8→CCR	↑	↑	↑	↑	↑	1
	B	4										EXR, #xx:8→EXR	—	—	—	—	—	2
ORC	B	2										CCR, #xx:8→CCR	↑	↑	↑	↑	↑	1
	B	4										EXR, #xx:8→EXR	—	—	—	—	—	2
XORC	B	2										CCR@#xx:8→CCR	↑	↑	↑	↑	↑	1
	B	4										EXR@#xx:8→EXR	—	—	—	—	—	2
NOP	—											PC←PC+2	—	—	—	—	—	1

## (8) Block Transfer Instructions

Mnemonic	Operand Size	Addressing Mode/ Instruction Length (Bytes)								Operation	Condition Code				No. of States*1			
		#xx	F <sub>n</sub>	@ERn	@(d,ERn)	@-ERn/@ERn+	@aa	@(d,PC)	@aa		I	H	N	Z	V	C	Advanced	4+2n *2
EEPMOV	—									4	if R4L≠0 Repeat @ER5→@ER6 ER5+1→ER5 ER6+1→ER6 R4L-1→R4L Until R4L=0 else next;	—	—	—	—	—	4+2n *2	
EEPMOV.W	—									4	if R4≠0 Repeat @ER5→@ER6 ER5+1→ER5 ER6+1→ER6 R4-1→R4 Until R4=0 else next;	—	—	—	—	—	4+2n *2	

Notes: \*1 The number of states is the number of states required for execution when the instruction and its operands are located in on-chip memory.

\*2 n is the initial value of R4L or R4.

\*3 Only register ER0, ER1, ER4, or ER5 should be used when using the TAS instruction.

[1] Seven states for saving or restoring two registers, nine states for three registers, or eleven states for four registers.

[2] Cannot be used in the H8S/2626 Series or H8S/2623 Series.

[3] Set to 1 when a carry or borrow occurs at bit 11; otherwise cleared to 0.

[4] Set to 1 when a carry or borrow occurs at bit 27; otherwise cleared to 0.

[5] Retains its previous value when the result is zero; otherwise cleared to 0.

- [6] Set to 1 when the divisor is negative; otherwise cleared to 0.
- [7] Set to 1 when the divisor is zero; otherwise cleared to 0.
- [8] Set to 1 when the quotient is negative; otherwise cleared to 0.
- [9] One additional state is required for execution when EXR is valid.
- [10] MAC instruction results are indicated in the flags when the STMAC instruction is executed.
- [11] A maximum of three additional states are required for execution of one of these instructions within three states after execution of a MAC instruction. For example, if there is a one-state instruction (such as NOP) between a MAC instruction and one of these instructions, that instruction will be two states longer.

## A.2 Instruction Codes

Table A-2 shows the instruction codes.

**Table A-2 Instruction Codes**

Instruction	Mnemonic	Size	Instruction Format																	
			1st byte	2nd byte	3rd byte	4th byte	5th byte	6th byte	7th byte	8th byte	9th byte	10th byte								
ADD	ADD.B #xx:8,Rd	B	8	rd																
	ADD.B Rs,Rd	B	0	8	rs	rd														
	ADD.W #xx:16,Rd	W	7	9	1	rd	IMM													
	ADD.W Rs,Rd	W	0	9	rs	rd														
	ADD.L #xx:32,ERd	L	7	A	1	0:erd				IMM										
	ADD.L ERs,ERd	L	0	A	1	ers:0:erd														
ADDS	ADDS #1,ERd	L	0	B	0	0:erd														
	ADDS #2,ERd	L	0	B	8	0:erd														
	ADDS #4,ERd	L	0	B	9	0:erd														
	ADDS #x:8,Rd	B	9	rd	IMM															
ADDX	ADDX Rs,Rd	B	0	E	rs	rd														
	ADDX #x:8,Rd	B	E	rd	IMM															
AND	AND.B #xx:8,Rd	B	1	6	rs	rd														
	AND.B Rs,Rd	B	7	9	6	rd	IMM													
	AND.W #xx:16,Rd	W	6	6	rs	rd														
	AND.W Rs,Rd	W	7	A	6	0:erd				IMM										
	AND.L #xx:32,ERd	L	0	1	F	0	0:ers:0:erd													
	AND.L ERs,ERd	L	0	6	IMM															
ANDC	ANDC #xx:8,CCR	B	0	6	IMM															
	ANDC #xx:8,EXR	B	0	1	4	1	0	6	IMM											
BAND	BAND #xx:3,Rd	B	7	6	0:IMM	rd														
	BAND #xx:3,@ERd	B	7	C	0:erd	0	7	6	0:IMM	0										
	BAND #xx:3,@aa:8	B	7	E	abs	7	6	0:IMM	0											
	BAND #xx:3,@aa:16	B	6	A	1	0	abs	7	6	0:IMM	0									
	BAND #xx:3,@aa:32	B	6	A	3	0	abs	7	6	0:IMM	0									
	BAND #xx:3,@aa:32	B	6	A	3	0	abs	7	6	0:IMM	0									
Bcc	BR d:8 (BT d:8)	—	4	0	disp															
	BR d:16 (BT d:16)	—	5	8	0	0	disp													
	BRN d:8 (BF d:8)	—	4	1	disp															
	BRN d:16 (BF d:16)	—	5	8	1	0	disp													

Instruction	Mnemonic	Size	Instruction Format																	
			1st byte	2nd byte	3rd byte	4th byte	5th byte	6th byte	7th byte	8th byte	9th byte	10th byte								
Bcc	BHI d:8	—	4	2	disp															
	BHI d:16	—	5	8	2	0	disp													
	BLS d:8	—	4	3	disp															
	BLS d:16	—	5	8	3	0	disp													
	BCC d:8 (BHS d:8)	—	4	4	disp															
	BCC d:16 (BHS d:16)	—	5	8	4	0	disp													
	BCS d:8 (BLO d:8)	—	4	5	disp															
	BCS d:16 (BLO d:16)	—	5	8	5	0	disp													
	BNE d:8	—	4	6	disp															
	BNE d:16	—	5	8	6	0	disp													
	BEQ d:8	—	4	7	disp															
	BEQ d:16	—	5	8	7	0	disp													
	BVC d:8	—	4	8	disp															
	BVC d:16	—	5	8	8	0	disp													
	BVS d:8	—	4	9	disp															
	BVS d:16	—	5	8	9	0	disp													
	BPL d:8	—	4	A	disp															
	BPL d:16	—	5	8	A	0	disp													
	BMI d:8	—	4	B	disp															
	BMI d:16	—	5	8	B	0	disp													
BGE d:8	—	4	C	disp																
BGE d:16	—	5	8	C	0	disp														
BLT d:8	—	4	D	disp																
BLT d:16	—	5	8	D	0	disp														
BGT d:8	—	4	E	disp																
BGT d:16	—	5	8	E	0	disp														
BLE d:8	—	4	F	disp																
BLE d:16	—	5	8	F	0	disp														

Instruction	Mnemonic	Size	Instruction Format																	
			1st byte	2nd byte	3rd byte	4th byte	5th byte	6th byte	7th byte	8th byte	9th byte	10th byte								
BCLR	BCLR #xx:3,Rd	B	7	2	0:IMM; rd															
	BCLR #xx:3,@ERd	B	7	D	0; erd	7	2	0:IMM; 0												
	BCLR #xx:3,@aa:8	B	7	F	abs	7	2	0:IMM; 0												
	BCLR #xx:3,@aa:16	B	6	A	1 8	abs	7	2	0:IMM; 0											
	BCLR #xx:3,@aa:32	B	6	A	3 8	abs														
	BCLR Rn,Rd	B	6	2	rn rd															
	BCLR Rn,@ERd	B	7	D	0; erd	6	2	rn 0												
	BCLR Rn,@aa:8	B	7	F	abs	6	2	rn 0												
	BCLR Rn,@aa:16	B	6	A	1 8	abs	6	2	rn 0											
	BCLR Rn,@aa:32	B	6	A	3 8	abs														
BIAND	BIAND #xx:3,Rd	B	7	6	1:IMM; rd															
	BIAND #xx:3,@ERd	B	7	C	0; erd	7	6	1:IMM; 0												
	BIAND #xx:3,@aa:8	B	7	E	abs	7	6	1:IMM; 0												
	BIAND #xx:3,@aa:16	B	6	A	1 0	abs	7	6	1:IMM; 0											
	BIAND #xx:3,@aa:32	B	6	A	3 0	abs														
	BILD #xx:3,Rd	B	7	7	1:IMM; rd															
BILD	BILD #xx:3,@ERd	B	7	C	0; erd	7	7	1:IMM; 0												
	BILD #xx:3,@aa:8	B	7	E	abs	7	7	1:IMM; 0												
	BILD #xx:3,@aa:16	B	6	A	1 0	abs	7	7	1:IMM; 0											
	BILD #xx:3,@aa:32	B	6	A	3 0	abs														
	BIOR #xx:3,Rd	B	7	4	1:IMM; rd															
	BIOR #xx:3,@ERd	B	7	C	0; erd	7	4	1:IMM; 0												
BIOR	BIOR #xx:3,@aa:8	B	7	E	abs	7	4	1:IMM; 0												
	BIOR #xx:3,@aa:16	B	6	A	1 0	abs	7	4	1:IMM; 0											
	BIOR #xx:3,@aa:32	B	6	A	3 0	abs														

Instruction	Mnemonic	Size	Instruction Format																	
			1st byte	2nd byte	3rd byte	4th byte	5th byte	6th byte	7th byte	8th byte	9th byte	10th byte								
BIST	BIST #xx:3,Rd	B	6	7	1:IMM	rd														
	BIST #xx:3,@ERd	B	7	D	0:erd	0	6	7	1:IMM	0										
	BIST #xx:3,@aa:8	B	7	F	abs		6	7	1:IMM	0										
	BIST #xx:3,@aa:16	B	6	A	1	8	abs		6	7	1:IMM	0								
	BIST #xx:3,@aa:32	B	6	A	3	8	abs		abs		6	7	1:IMM	0						
	BIXOR	BIXOR #xx:3,Rd	B	7	5	1:IMM	rd													
	BIXOR #xx:3,@ERd	B	7	C	0:erd	0	7	5	1:IMM	0										
	BIXOR #xx:3,@aa:8	B	7	E	abs		7	5	1:IMM	0										
	BIXOR #xx:3,@aa:16	B	6	A	1	0	abs		7	5	1:IMM	0								
	BIXOR #xx:3,@aa:32	B	6	A	3	0	abs		abs		7	5	1:IMM	0						
BLD	BLD #xx:3,Rd	B	7	7	0:IMM	rd														
	BLD #xx:3,@ERd	B	7	C	0:erd	0	7	7	0:IMM	0										
	BLD #xx:3,@aa:8	B	7	E	abs		7	7	0:IMM	0										
	BLD #xx:3,@aa:16	B	6	A	1	0	abs		7	7	0:IMM	0								
	BLD #xx:3,@aa:32	B	6	A	3	0	abs		abs		7	7	0:IMM	0						
	BNOT	BNOT #xx:3,Rd	B	7	1	0:IMM	rd													
	BNOT #xx:3,@ERd	B	7	D	0:erd	0	7	1	0:IMM	0										
	BNOT #xx:3,@aa:8	B	7	F	abs		7	1	0:IMM	0										
	BNOT #xx:3,@aa:16	B	6	A	1	8	abs		7	1	0:IMM	0								
	BNOT #xx:3,@aa:32	B	6	A	3	8	abs		abs		7	1	0:IMM	0						
	BNOT Rn,Rd	B	6	1	rn	rd														
	BNOT Rn,@ERd	B	7	D	0:erd	0	6	1	rn	0										
	BNOT Rn,@aa:8	B	7	F	abs		6	1	rn	0										
	BNOT Rn,@aa:16	B	6	A	1	8	abs		6	1	rn	0								
	BNOT Rn,@aa:32	B	6	A	3	8	abs		abs		6	1	rn	0						



Instruction	Mnemonic	Size	Instruction Format																	
			1st byte	2nd byte	3rd byte	4th byte	5th byte	6th byte	7th byte	8th byte	9th byte	10th byte								
BOR	BOR #xx:3,Rd	B	7	4	0:IMM; rd															
	BOR #xx:3,@ERd	B	7	C	0:erd	0	7	4	0:IMM; 0											
	BOR #xx:3,@aa:8	B	7	E	abs	7	4	0:IMM; 0												
	BOR #xx:3,@aa:16	B	6	A	1	0	abs	7	4	0:IMM; 0										
	BOR #xx:3,@aa:32	B	6	A	3	0	abs													
	BSET #xx:3,Rd	B	7	0	0:IMM; rd															
BSET	BSET #xx:3,@ERd	B	7	D	0:erd	0	7	0	0:IMM; 0											
	BSET #xx:3,@aa:8	B	7	F	abs	7	0	0:IMM; 0												
	BSET #xx:3,@aa:16	B	6	A	1	8	abs	7	0	0:IMM; 0										
	BSET #xx:3,@aa:32	B	6	A	3	8	abs													
	BSET Rn,Rd	B	6	0	rn	rd														
	BSET Rn,@ERd	B	7	D	0:erd	0	6	0	rn	0										
BSR	BSET Rn,@aa:8	B	7	F	abs	6	0	rn	0											
	BSET Rn,@aa:16	B	6	A	1	8	abs	6	0	rn	0									
	BSET Rn,@aa:32	B	6	A	3	8	abs													
	BSR d:8	—	5	5	disp															
	BSR d:16	—	5	C	0	0	disp													
	BST #xx:3,Rd	B	6	7	0:IMM; rd															
BST	BST #xx:3,@ERd	B	7	D	0:erd	0	6	7	0:IMM; 0											
	BST #xx:3,@aa:8	B	7	F	abs	6	7	0:IMM; 0												
	BST #xx:3,@aa:16	B	6	A	1	8	abs	6	7	0:IMM; 0										
	BST #xx:3,@aa:32	B	6	A	3	8	abs													
	BST #xx:3,Rd	B	7	3	0:IMM; rd															
	BST #xx:3,@ERd	B	7	C	0:erd	0	7	3	0:IMM; 0											
BTST	BTST #xx:3,@aa:8	B	7	E	abs	7	3	0:IMM; 0												
	BTST #xx:3,@aa:16	B	6	A	1	0	abs	7	3	0:IMM; 0										
	BTST #xx:3,@aa:32	B	6	A	3	0	abs													
	BTST Rn,Rd	B	6	3	rn	rd														
	BTST Rn,@ERd	B	7	C	0:erd	0	6	3	rn	0										

Instruction	Mnemonic	Size	Instruction Format																	
			1st byte	2nd byte	3rd byte	4th byte	5th byte	6th byte	7th byte	8th byte	9th byte	10th byte								
BTST	BTST Rn, @aa:8	B	7	E	6	3	rn	0												
	BTST Rn, @aa:16	B	6	A	1	0	abs													
	BTST Rn, @aa:32	B	6	A	3	0	abs													
BXOR	BXOR #xx:3, Rd	B	7	5	0;IMM;	rd														
	BXOR #xx:3, @ERd	B	7	C	0;erd	0	7	5	0;IMM;	0										
	BXOR #xx:3, @aa:8	B	7	E	abs		7	5	0;IMM;	0										
	BXOR #xx:3, @aa:16	B	6	A	1	0	abs													
	BXOR #xx:3, @aa:32	B	6	A	3	0	abs													
CLRMAC	CLRMAC	—	0	1	A	0														
CMP	CMP.B #xx:8, Rd	B	A	rd	IMM															
	CMP.B Rs, Rd	B	1	C	rs	rd														
	CMP.W #xx:16, Rd	W	7	9	2	rd	IMM													
	CMP.W Rs, Rd	W	1	D	rs	rd														
	CMP.L #xx:32, ERd	L	7	A	2	0;erd														
CMP.L ERs, ERd	L	1	F	1;ers	0;erd															
DAA	DAA Rd	B	0	F	0	rd														
DAS	DAS Rd	B	1	F	0	rd														
DEC	DEC.B Rd	B	1	A	0	rd														
	DEC.W #1, Rd	W	1	B	5	rd														
	DEC.W #2, Rd	W	1	B	D	rd														
	DEC.L #1, ERd	L	1	B	7	0;erd														
	DEC.L #2, ERd	L	1	B	F	0;erd														
DIVXS	DIVXS.B Rs, Rd	B	0	1	D	0	5	1	rs	rd										
	DIVXS.W Rs, ERd	W	0	1	D	0	5	3	rs	0;erd										
DIVXU	DIVXU.B Rs, Rd	B	5	1	rs	rd														
	DIVXU.W Rs, ERd	W	5	3	rs	0;erd														
EEPMOV	EEPMOV.B	—	7	B	5	C	5	9	8	F										
	EEPMOV.W	—	7	B	D	4	5	9	8	F										

Instruction	Mnemonic	Size	Instruction Format																		
			1st byte	2nd byte	3rd byte	4th byte	5th byte	6th byte	7th byte	8th byte	9th byte	10th byte									
EXTS	EXTS.W,Rd	W	1	7	D	rd															
	EXTS.L,ERd	L	1	7	F	0:erd															
	EXTU.W,Rd	W	1	7	5	rd															
EXTU	EXTU.L,ERd	L	1	7	7	0:erd															
	INC.B,Rd	B	0	A	0	rd															
	INC.W #1,Rd	W	0	B	5	rd															
INC	INC.W #2,Rd	W	0	B	D	rd															
	INC.L #1,ERd	L	0	B	7	0:erd															
	INC.L #2,ERd	L	0	B	F	0:erd															
	JMP @ERn	—	5	9	0:ern	0															
	JMP @aa:24	—	5	A		abs															
JSR	JMP @aa:8	—	5	B	abs																
	JSR @ERn	—	5	D	0:ern	0															
	JSR @aa:24	—	5	E		abs															
	JSR @aa:8	—	5	F	abs																
	LDC #xx:8,CCR	B	0	7	IMM																
LDC	LDC #xx:8,EXR	B	0	1	4	1	0	7	IMM												
	LDC Rs,CCR	B	0	3	0	rs															
	LDC Rs,EXR	B	0	3	1	rs															
	LDC @ERs,CCR	W	0	1	4	0	6	9	0:ers	0											
	LDC @ERs,EXR	W	0	1	4	1	6	9	0:ers	0											
	LDC @(t:16,ERs),CCR	W	0	1	4	0	6	F	0:ers	0	disp										
	LDC @(t:16,ERs),EXR	W	0	1	4	1	6	F	0:ers	0	disp										
	LDC @(t:32,ERs),CCR	W	0	1	4	0	7	8	0:ers	0	6	B	2	0	disp						
	LDC @(t:32,ERs),EXR	W	0	1	4	1	7	8	0:ers	0	6	B	2	0	disp						
	LDC @ERs+,CCR	W	0	1	4	0	6	D	0:ers	0											
LDC @ERs+,EXR	LDC @ERs+,EXR	W	0	1	4	1	6	D	0:ers	0											
	LDC @aa:16,CCR	W	0	1	4	0	6	B	0	0	disp										
	LDC @aa:16,EXR	W	0	1	4	1	6	B	0	0	disp										
	LDC @aa:16,EXR	W	0	1	4	1	6	B	0	0	disp										

Instruction	Mnemonic	Size	Instruction Format																	
			1st byte	2nd byte	3rd byte	4th byte	5th byte	6th byte	7th byte	8th byte	9th byte	10th byte								
LDC	LDC @aa:32,CCR	W	0	1	4	0	6	B	2	0										
	LDC @aa:32,EXR	W	0	1	4	1	6	B	2	0										
LDM	LDM.L @SP+, {ERn-ERn+1}	L	0	1	1	0	6	D	7	:0:ern+1										
	LDM.L @SP+, {ERn-ERn+2}	L	0	1	2	0	6	D	7	:0:ern+2										
	LDM.L @SP+, {ERn-ERn+3}	L	0	1	3	0	6	D	7	:0:ern+3										
LDMAC	LDMAC ERs,MACH	L	0	3	2	0:ers														
	LDMAC ERs,MACL	L	0	3	3	0:ers														
MAC	MAC @ERn+,@ERm+	—	0	1	6	0	6	D	0:ern;0:erm											
MOV	MOV.B #xx:8,Rd	B	F	rd	IMM															
	MOV.B Rs,Rd	B	0	C	rs	rd														
	MOV.B @ERs,Rd	B	6	8	0:ers	rd														
	MOV.B @(d:16,ERs),Rd	B	6	E	0:ers	rd	disp													
	MOV.B @(d:32,ERs),Rd	B	7	8	0:ers	0	6	A	2	rd	disp									
	MOV.B @ERs+,Rd	B	6	C	0:ers	rd														
	MOV.B @aa:8,Rd	B	2	rd	abs															
	MOV.B @aa:16,Rd	B	6	A	0	rd	abs													
	MOV.B @aa:32,Rd	B	6	A	2	rd	abs													
	MOV.B Rs,@ERd	B	6	8	1:erd	rs														
	MOV.B Rs,@(d:16,ERd)	B	6	E	1:erd	rs	disp													
	MOV.B Rs,@(d:32,ERd)	B	7	8	0:erd	0	6	A	A	rs	disp									
	MOV.B Rs,@-ERd	B	6	C	1:erd	rs														
	MOV.B Rs,@aa:8	B	3	rs	abs															
MOV.B Rs,@aa:16	B	6	A	8	rs	abs														
MOV.B Rs,@aa:32	B	6	A	A	rs	abs														
MOV.W #xx:16,Rd	W	7	9	0	rd	IMM														
MOV.W Rs,Rd	W	0	D	rs	rd															
MOV.W @ERs,Rd	W	6	9	0:ers	rd															
MOV.W @(d:16,ERs),Rd	W	6	F	0:ers	rd	disp														
MOV.W @(d:32,ERs),Rd	W	7	8	0:ers	0	6	B	2	rd	disp										

Instruction	Mnemonic	Size	Instruction Format																	
			1st byte	2nd byte	3rd byte	4th byte	5th byte	6th byte	7th byte	8th byte	9th byte	10th byte								
MOV	MOV.W @ERs+,Rd	W	6	D	0	ers	rd													
	MOV.W @aa:16,Rd	W	6	B	0	rd														
	MOV.W @aa:32,Rd	W	6	B	2	rd														
	MOV.W Rs,@ERd	W	6	9	1	erd	rs													
	MOV.W Rs,@(d:16,ERd)	W	6	6	1	erd	rs													
	MOV.W Rs,@(d:32,ERd)	W	7	8	0	erd	0	6	B	A	rs									
	MOV.W Rs,@-ERd	W	6	D	1	erd	rs													
	MOV.W Rs,@aa:16	W	6	B	8	rs														
	MOV.W Rs,@aa:32	W	6	B	A	rs														
	MOV.L #xx:32,Rd	L	7	A	0	0	erd													
	MOV.L ERs,ERd	L	0	F	1	ers	0	erd												
	MOV.L @ERs,ERd	L	0	1	0	0	0	6	9	0	ers	0	erd							
	MOV.L @(d:16,ERs),ERd	L	0	1	0	0	0	6	F	0	ers	0	erd							
	MOV.L @(d:32,ERs),ERd	L	0	1	0	0	0	7	8	0	ers	0								
	MOV.L @ERs+,ERd	L	0	1	0	0	0	6	D	0	ers	0	erd							
	MOV.L @aa:16,ERd	L	0	1	0	0	0	6	B	0	0	erd								
	MOV.L @aa:32,ERd	L	0	1	0	0	0	6	B	2	0	erd								
	MOV.L ERs@ERd	L	0	1	0	0	0	6	9	1	erd	0	ers							
	MOV.L ERs,@(d:16,ERd)	L	0	1	0	0	0	6	F	1	erd	0	ers							
MOV.L ERs,@(d:32,ERd) <sup>1)</sup>	L	0	1	0	0	0	7	8	0	erd	0									
MOV.L ERs@-ERd	L	0	1	0	0	0	6	D	1	erd	0	ers								
MOV.L ERs@aa:16	L	0	1	0	0	0	6	B	8	0	ers									
MOV.L ERs@aa:32	L	0	1	0	0	0	6	B	A	0	ers									
MOVFPPE @aa:16,Rd	B	Cannot be used in the H6S/2626 Series or H6S/2623 Series.																		
MOVTYPE Rs,@aa:16	B																			
MULXS	MULXS.B Rs,Rd	B	0	1	C	0	5	0	rs	rd										
	MULXS.W Rs,ERd	W	0	1	C	0	5	2	rs	0	erd									
	MULXU.B Rs,Rd	B	5	0	rs	rd														
	MULXU.W Rs,ERd	W	5	2	rs	0	erd													

Instruc- tion	Mnemonic	Size	Instruction Format																	
			1st byte	2nd byte	3rd byte	4th byte	5th byte	6th byte	7th byte	8th byte	9th byte	10th byte								
NEG	NEGB Rd	B	1	7	8	rd														
	NEG.W Rd	W	1	7	9	rd														
	NEGL ERd	L	1	7	B	0:erd														
NOP	NOP	—	0	0	0	0														
NOT	NOT.B Rd	B	1	7	0	rd														
	NOT.W Rd	W	1	7	1	rd														
	NOT.L ERd	L	1	7	3	0:erd														
	OR	OR.B #xx:8,Rd	B	C	rd	IMM														
	OR.B Rs,Rd	B	1	4	rs	rd														
	OR.W #xx:16,Rd	W	7	9	4	rd	IMM													
	OR.W Rs,Rd	W	6	4	rs	rd														
	OR.L #xx:32,ERd	L	7	A	4	0:erd														
ORC	OR.L ERs,ERd	L	0	1	F	0	6	4	0:ers	0:erd										
	ORC #xx:8,CCR	B	0	4	IMM															
	ORC #xx:8,EXR	B	0	1	4	1	0	4	IMM											
	POP	POP.W Rn	W	6	D	7	rn													
PUSH	POP.L ERn	L	0	1	0	0	6	D	7	0:ern										
	PUSH.W Rn	W	6	D	F	rn														
	PUSH.L ERn	L	0	1	0	0	6	D	F	0:ern										
ROTL	ROTL.B Rd	B	1	2	8	rd														
	ROTL.B #2, Rd	B	1	2	C	rd														
	ROTL.W Rd	W	1	2	9	rd														
	ROTL.W #2, Rd	W	1	2	D	rd														
	ROTL.L ERd	L	1	2	B	0:erd														
	ROTL.L #2, ERd	L	1	2	F	0:erd														

Instruction	Mnemonic	Size	Instruction Format																	
			1st byte	2nd byte	3rd byte	4th byte	5th byte	6th byte	7th byte	8th byte	9th byte	10th byte								
ROTR	ROTR.B Rd	B	1	3	8	rd														
	ROTR.B #2, Rd	B	1	3	C	rd														
	ROTR.W Rd	W	1	3	9	rd														
	ROTR.W #2, Rd	W	1	3	D	rd														
	ROTR.L ERd	L	1	3	B	0:erd														
	ROTR.L #2, ERd	L	1	3	F	0:erd														
	ROTXL	ROTXL.B Rd	B	1	2	0	rd													
	ROTXL.B #2, Rd	B	1	2	4	rd														
	ROTXL.W Rd	W	1	2	1	rd														
	ROTXL.W #2, Rd	W	1	2	5	rd														
	ROTXLL ERd	L	1	2	3	0:erd														
	ROTXLL #2, ERd	L	1	2	7	0:erd														
ROTXR	ROTXR.B Rd	B	1	3	0	rd														
	ROTXR.B #2, Rd	B	1	3	4	rd														
	ROTXR.W Rd	W	1	3	1	rd														
	ROTXR.W #2, Rd	W	1	3	5	rd														
	ROTXR.L ERd	L	1	3	3	0:erd														
	ROTXR.L #2, ERd	L	1	3	7	0:erd														
RTE	RTE	—	5	6	7	0														
RTS	RTS	—	5	4	7	0														
SHAL	SHAL.B Rd	B	1	0	8	rd														
	SHAL.B #2, Rd	B	1	0	C	rd														
	SHAL.W Rd	W	1	0	9	rd														
	SHAL.W #2, Rd	W	1	0	D	rd														
	SHAL.L ERd	L	1	0	B	0:erd														
	SHAL.L #2, ERd	L	1	0	F	0:erd														

Instruction	Mnemonic	Size	Instruction Format																	
			1st byte	2nd byte	3rd byte	4th byte	5th byte	6th byte	7th byte	8th byte	9th byte	10th byte								
SHAR	SHAR.B Rd	B	1	8	rd															
	SHAR.B #2, Rd	B	1	C	rd															
	SHAR.W Rd	W	1	9	rd															
	SHAR.W #2, Rd	W	1	D	rd															
	SHAR.L ERd	L	1	B	0:erd															
	SHAR.L #2, ERd	L	1	F	0:erd															
SHLL	SHLL.B Rd	B	1	0	rd															
	SHLL.B #2, Rd	B	1	0	rd															
	SHLL.W Rd	W	1	0	rd															
	SHLL.W #2, Rd	W	1	0	rd															
	SHLL.L ERd	L	1	0	3	0:erd														
	SHLL.L #2, ERd	L	1	0	7	0:erd														
SHLR	SHLR.B Rd	B	1	1	0	rd														
	SHLR.B #2, Rd	B	1	1	4	rd														
	SHLR.W Rd	W	1	1	1	rd														
	SHLR.W #2, Rd	W	1	1	5	rd														
	SHLR.L ERd	L	1	1	3	0:erd														
	SHLR.L #2, ERd	L	1	1	7	0:erd														
SLEEP	SLEEP	—	0	1	8	0														
STC	STC.B CCR,Rd	B	0	2	0	rd														
	STC.B EXR,Rd	B	0	2	1	rd														
	STC.W CCR,@ERd	W	0	1	4	0	6	9	1:erd	0										
	STC.W EXR,@ERd	W	0	1	4	1	6	9	1:erd	0										
	STC.W CCR,@(d:16,ERd)	W	0	1	4	0	6	F	1:erd	0										
	STC.W EXR,@(d:16,ERd)	W	0	1	4	1	6	F	1:erd	0										
	STC.W CCR,@(d:32,ERd)	W	0	1	4	0	7	8	0:erd	0	6	B	A	0						
	STC.W EXR,@(d:32,ERd)	W	0	1	4	1	7	8	0:erd	0	6	B	A	0						
	STC.W CCR,@-ERd	W	0	1	4	0	6	D	1:erd	0										
	STC.W EXR,@-ERd	W	0	1	4	1	6	D	1:erd	0										



Instruction	Mnemonic	Size	Instruction Format												
			1st byte	2nd byte	3rd byte	4th byte	5th byte	6th byte	7th byte	8th byte	9th byte	10th byte			
STC	STC.W CCR, @aa:16	W	0 1	4 0	6 B	8 0	abs								
	STC.W EXP, @aa:16	W	0 1	4 1	6 B	8 0	abs								
	STC.W CCR, @aa:32	W	0 1	4 0	6 B	A 0	abs								
	STC.W EXP, @aa:32	W	0 1	4 1	6 B	A 0	abs								
STM	STM.L(ERn-ERn+1), @-SP	L	0 1	1 0	6 D	F 0:ern									
	STM.L(ERn-ERn+2), @-SP	L	0 1	2 0	6 D	F 0:ern									
	STM.L(ERn-ERn+3), @-SP	L	0 1	3 0	6 D	F 0:ern									
	STM.L(ERn-ERn+3), @-SP	L	0 1	3 0	6 D	F 0:ern									
STMAC	STMAC MACH, ERd	L	0 2	2 0:ers											
	STMAC MACL, ERd	L	0 2	3 0:ers											
SUB	SUB.B Rs, Rd	B	1 8	rs rd											
	SUB.W #xx:16, Rd	W	7 9	3 rd	IMM										
	SUB.W Rs, Rd	W	1 9	rs rd											
	SUB.L #xx:32, ERd	L	7 A	3 0:erd		IMM									
	SUB.L ERs, ERd	L	1 A	1 1:ers 0:erd											
	SUBS #1, ERd	L	1 B	0 0:erd											
SUBS	SUBS #2, ERd	L	1 B	8 0:erd											
	SUBS #4, ERd	L	1 B	9 0:erd											
SUBX	SUBX #xx:8, Rd	B	B rd	IMM											
	SUBX Rs, Rd	B	1 E	rs rd											
TAS	TAS @ERd*2	B	0 1	E 0	7 B	0:erd C									
TRAPA	TRAPA #x:2	—	5 7	00:IMM: 0											
XOR	XOR.B #xx:8, Rd	B	D rd	IMM											
	XOR.B Rs, Rd	B	1 5	rs rd											
	XOR.W #xx:16, Rd	W	7 9	5 rd	IMM										
	XOR.W Rs, Rd	W	6 5	rs rd											
	XOR.L #xx:32, ERd	L	7 A	5 0:erd		IMM									
XOR.L ERs, ERd	L	0 1	F 0	6 5	0:ers 0:erd										

Instruction	Mnemonic	Size	Instruction Format												
			1st byte	2nd byte	3rd byte	4th byte	5th byte	6th byte	7th byte	8th byte	9th byte	10th byte			
XORC	XORC #xx:8,CCR	B	0	5	IMM										
	XORC #xx:8,EXR	B	0	1	4	1	0	5	IMM						

Notes: \*1 Bit 7 of the 4th byte of the MOV.L, ERs, @(d:32,ERd) instruction can be either 1 or 0.  
 \*2 Only register ER0, ER1, ER4, or ER5 should be used when using the TAS instruction.

**Legend**

- IMM: Immediate data (2, 3, 8, 16, or 32 bits)
- abs: Absolute address (8, 16, 24, or 32 bits)
- disp: Displacement (8, 16, or 32 bits)

rs, rd, rn: Register field (4 bits specifying an 8-bit or 16-bit register. The symbols rs, rd, and rn correspond to operand symbols Rs, Rd, and Rn.)  
 ers, erd, erm, erm: Register field (3 bits specifying an address register or 32-bit register. The symbols ers, erd, erm, and erm correspond to operand symbols ERs, ERd, ERn, and ERm.)

The register fields specify general registers as follows.

Address Register		16-Bit Register		8-Bit Register	
32-Bit Register	General Register	Register Field	General Register	Register Field	General Register
000	ER0	0000	R0	0000	R0H
001	ER1	0001	R1	0001	R1H
•	•	•	•	•	•
•	•	•	•	•	•
•	•	•	•	•	•
111	ER7	0111	R7	0111	R7H
		1000	E0	1000	R0L
		1001	E1	1001	R1L
		•	•	•	•
		•	•	•	•
		•	•	•	•
		1111	E7	1111	R7L

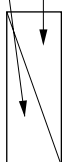
# A.3 Operation Code Map

Table A-3 shows the operation code map.

**Table A-3 Operation Code Map (1)**

Instruction code

1st byte		2nd byte	
AH	AL	BH	BL



AL/AH	0	1	2	3	4	5	6	7	8	9	A	B	C	D	E	F
0	Table A.3(2)	Table A.3(2)	STC *STMAC *DMAC	LDC *DMAC	ORC	XORC	ANDC	LDC	ADD	Table A.3(2)	Table A.3(2)	Table A.3(2)	Table A.3(2)	MOV	ADDX	Table A.3(2)
1	Table A.3(2)	Table A.3(2)	Table A.3(2)	Table A.3(2)	OR	XOR	AND	Table A.3(2)	SUB	Table A.3(2)	Table A.3(2)	Table A.3(2)	CMP	CMP	SUBX	Table A.3(2)
2	MOV.B															
3	MOV.B															
4	BRA	BRN	BHI	BLS	BCC	BCS	BNE	BEQ	BVC	BVS	BPL	BMI	BGE	BLT	BGT	BLE
5	MULXU	DIVXU	MULXU	DIVXU	RTS	BSR	RTE	TRAPA	Table A.3(2)	JMP	JMP	BSR	BSR	JSR	JSR	
6	BSET	BNOT	BCLR	BTST	OR	XOR	AND	BST	MOV	MOV	Table A.3(2)	Table A.3(2)	Table A.3(2)	Table A.3(2)	Table A.3(2)	Table A.3(2)
7					BOR	BXOR	BAND	BLD	MOV	MOV	Table A.3(2)	EEMOV	EEMOV	Table A.3(3)	Table A.3(3)	Table A.3(3)
8	ADD															
9	ADDX															
A	CMP															
B	SUBX															
C	OR															
D	XOR															
E	AND															
F	MOV															

Note: \* Cannot be used in the H8S/2626 Series or H8S/2623 Series.

**Table A-3 Operation Code Map (2)**

Instruction code		1st byte		2nd byte	
		AH	AL	BH	BL

BH	0	1	2	3	4	5	6	7	8	9	A	B	C	D	E	F
AH/AL	MOV	LDM	LDC	STM	STC		MAC*		SLEEP		CLRMAC*		Table A.3(3)	Table A.3(3)	TAS	Table A.3(3)
0A	INC												ADD			
0B	ADDS					INC		INC	ADDS					INC		INC
0F	DAA												MOV			
10	SHLL				SHLL			SHLL	SHAL				SHAL			SHAL
11	SHLR				SHLR			SHLR	SHAR				SHAR			SHAR
12	ROTXL				ROTXL			ROTXL	ROTL				ROTL			ROTL
13	ROTXR				ROTXR			ROTXR	ROTR				ROTR			ROTR
17	NOT					EXTU		EXTU	NEG			NEG		EXTS		EXTS
1A	DEC															
1B	SUBS					DEC		DEC	SUBS					DEC		DEC
1F	DAS															
58	BRA	BRN	BHI	BLS	BCC	BCS	BNE	BEQ	BVC	BVS	BPL	BMI	BGE	BLT	BGT	BLE
6A	MOV	Table A.3(4)	MOV	Table A.3(4)	MOV/FPE				MOV		MOV		MOV/TPE			
79	MOV	ADD	CMP	SUB	OR	XOR	AND									
7A	MOV	ADD	CMP	SUB	OR	XOR	AND									

Note: \* Cannot be used in the H8S/2626 Series or H8S/2623 Series.

**Table A-3 Operation Code Map (3)**

1st byte		2nd byte		3rd byte		4th byte	
AH	AL	BH	BL	CH	CL	DH	DL

Instruction code



	0	1	2	3	4	5	6	7	8	9	A	B	C	D	E	F
CL	MULXS		MULXS													
AH/AL BH/BL CH/CL	MULXS															
01C05																
01D05		DIVXS														
01F06					OR	XOR	AND									
7Cr06 *1																
7C07 *1				BTST												
7D06 *1																
7D07 *1	BSET	BNOT	BCLR													
7Eaa6 *2																
7Eaa7 *2																
7Faa6 *2	BSET	BNOT	BCLR													
7Faa7 *2	BSET	BNOT	BCLR													

Notes: \*1 r is the register specification field.  
 \*2 aa is the absolute address specification.

**Table A-3 Operation Code Map (4)**

Instruction code		1st byte		2nd byte		3rd byte		4th byte		5th byte		6th byte	
		AH	AL	BH	BL	CH	CL	DH	DL	EH	EL	FH	FL



EL	0	1	2	3	4	5	6	7	8	9	A	B	C	D	E	F
AHALHBLCHCLDHLERH																
6A10aaaa6*				BTST	BOR	BXOR	BAND	BLD								
6A10aaaa7*					BIOR	BIXOR	BAND	BILD	BST							
6A18aaaa6*																
6A18aaaa7*																
	BSET	BNOT	BCLR													

Instruction code		1st byte		2nd byte		3rd byte		4th byte		5th byte		7th byte		8th byte	
		AH	AL	BH	BL	CH	CL	DH	DL	EH	EL	GH	GL	HH	HL



GL	0	1	2	3	4	5	6	7	8	9	A	B	C	D	E	F
AHALHBL...FHFLGH																
6A30aaaaaaaa6*				BTST	BOR	BXOR	BAND	BLD								
6A30aaaaaaaa7*					BIOR	BIXOR	BAND	BILD	BST							
6A38aaaaaaaa6*																
6A38aaaaaaaa7*																
	BSET	BNOT	BCLR													

Note: \* aa is the absolute address specification.

## A.4 Number of States Required for Instruction Execution

The tables in this section can be used to calculate the number of states required for instruction execution by the CPU. Table A-5 indicates the number of instruction fetch, data read/write, and other cycles occurring in each instruction. Table A-4 indicates the number of states required for each cycle. The number of states required for execution of an instruction can be calculated from these two tables as follows:

$$\text{Execution states} = I \times S_I + J \times S_J + K \times S_K + L \times S_L + M \times S_M + N \times S_N$$

**Examples:** Advanced mode, program code and stack located in external memory, on-chip supporting modules accessed in two states with 8-bit bus width, external devices accessed in three states with one wait state and 16-bit bus width.

### 1. BSET #0, @FFFFC7:8

From table A-5:

$$I = L = 2, \quad J = K = M = N = 0$$

From table A-4:

$$S_I = 4, \quad S_L = 2$$

$$\text{Number of states required for execution} = 2 \times 4 + 2 \times 2 = 12$$

### 2. JSR @@30

From table A-5:

$$I = J = K = 2, \quad L = M = N = 0$$

From table A-4:

$$S_I = S_J = S_K = 4$$

$$\text{Number of states required for execution} = 2 \times 4 + 2 \times 4 + 2 \times 4 = 24$$

**Table A-4 Number of States per Cycle**

		Access Conditions						
		On-Chip Supporting			External Device			
		On-Chip Memory	Module		8-Bit Bus		16-Bit Bus	
			8-Bit Bus	16-Bit Bus	2-State Access	3-State Access	2-State Access	3-State Access
Cycle								
Instruction fetch	$S_I$	1	4	2	4	6 + 2m	2	3 + m
Branch address read	$S_J$							
Stack operation	$S_K$							
Byte data access	$S_L$		2		2	3 + m		
Word data access	$S_M$		4		4	6 + 2m		
Internal operation	$S_N$	1	1	1	1	1	1	1

Legend

m: Number of wait states inserted into external device access



**Table A-5 Number of Cycles in Instruction Execution**

Instruction	Mnemonic	Instruction	Branch	Stack	Byte Data	Word Data	Internal
		Fetch I	Address J	Read K	Access L	Access M	Operation N
ADD	ADD.B #xx:8,Rd	1					
	ADD.B Rs,Rd	1					
	ADD.W #xx:16,Rd	2					
	ADD.W Rs,Rd	1					
	ADD.L #xx:32,ERd	3					
	ADD.L ERs,ERd	1					
ADDS	ADDS #1/2/4,ERd	1					
ADDX	ADDX #xx:8,Rd	1					
	ADDX Rs,Rd	1					
AND	AND.B #xx:8,Rd	1					
	AND.B Rs,Rd	1					
	AND.W #xx:16,Rd	2					
	AND.W Rs,Rd	1					
	AND.L #xx:32,ERd	3					
	AND.L ERs,ERd	2					
ANDC	ANDC #xx:8,CCR	1					
	ANDC #xx:8,EXR	2					
BAND	BAND #xx:3,Rd	1					
	BAND #xx:3,@ERd	2			1		
	BAND #xx:3,@aa:8	2			1		
	BAND #xx:3,@aa:16	3			1		
	BAND #xx:3,@aa:32	4			1		
Bcc	BRA d:8 (BT d:8)	2					
	BRN d:8 (BF d:8)	2					
	BHI d:8	2					
	BLS d:8	2					
	BCC d:8 (BHS d:8)	2					
	BCS d:8 (BLO d:8)	2					
	BNE d:8	2					
	BEQ d:8	2					
	BVC d:8	2					
	BVS d:8	2					
	BPL d:8	2					
	BMI d:8	2					
	BGE d:8	2					
	BLT d:8	2					
	BGT d:8	2					
	BLE d:8	2					
	BRA d:16 (BT d:16)	2					1
BRN d:16 (BF d:16)	2					1	

Instruction	Mnemonic	Instruction Fetch I	Branch Address J	Stack Read K	Operation	Byte Data Access L	Word Data Access M	Internal Operation N
Bcc	BHI d:16	2						1
	BLS d:16	2						1
	BCC d:16 (BHS d:16)	2						1
	BCS d:16 (BLO d:16)	2						1
	BNE d:16	2						1
	BEQ d:16	2						1
	BVC d:16	2						1
	BVS d:16	2						1
	BPL d:16	2						1
	BMI d:16	2						1
	BGE d:16	2						1
	BLT d:16	2						1
	BGT d:16	2						1
	BLE d:16	2						1
BCLR	BCLR #xx:3,Rd	1						
	BCLR #xx:3,@ERd	2				2		
	BCLR #xx:3,@aa:8	2				2		
	BCLR #xx:3,@aa:16	3				2		
	BCLR #xx:3,@aa:32	4				2		
	BCLR Rn,Rd	1						
	BCLR Rn,@ERd	2				2		
	BCLR Rn,@aa:8	2				2		
	BCLR Rn,@aa:16	3				2		
	BCLR Rn,@aa:32	4				2		
BIAND	BIAND #xx:3,Rd	1						
	BIAND #xx:3,@ERd	2				1		
	BIAND #xx:3,@aa:8	2				1		
	BIAND #xx:3,@aa:16	3				1		
	BIAND #xx:3,@aa:32	4				1		
BILD	BILD #xx:3,Rd	1						
	BILD #xx:3,@ERd	2				1		
	BILD #xx:3,@aa:8	2				1		
	BILD #xx:3,@aa:16	3				1		
	BILD #xx:3,@aa:32	4				1		
BIOR	BIOR #xx:8,Rd	1						
	BIOR #xx:8,@ERd	2				1		
	BIOR #xx:8,@aa:8	2				1		
	BIOR #xx:8,@aa:16	3				1		
	BIOR #xx:8,@aa:32	4				1		

Instruction	Mnemonic	Instruction	Branch	Stack	Byte Data	Word Data	Internal
		Fetch	Address Read	Operation	Access	Access	Operation
		I	J	K	L	M	N
BIST	BIST #xx:3,Rd	1					
	BIST #xx:3,@ERd	2			2		
	BIST #xx:3,@aa:8	2			2		
	BIST #xx:3,@aa:16	3			2		
	BIST #xx:3,@aa:32	4			2		
BIXOR	BIXOR #xx:3,Rd	1					
	BIXOR #xx:3,@ERd	2			1		
	BIXOR #xx:3,@aa:8	2			1		
	BIXOR #xx:3,@aa:16	3			1		
	BIXOR #xx:3,@aa:32	4			1		
BLD	BLD #xx:3,Rd	1					
	BLD #xx:3,@ERd	2			1		
	BLD #xx:3,@aa:8	2			1		
	BLD #xx:3,@aa:16	3			1		
	BLD #xx:3,@aa:32	4			1		
BNOT	BNOT #xx:3,Rd	1					
	BNOT #xx:3,@ERd	2			2		
	BNOT #xx:3,@aa:8	2			2		
	BNOT #xx:3,@aa:16	3			2		
	BNOT #xx:3,@aa:32	4			2		
	BNOT Rn,Rd	1					
	BNOT Rn,@ERd	2			2		
	BNOT Rn,@aa:8	2			2		
	BNOT Rn,@aa:16	3			2		
BNOT Rn,@aa:32	4			2			
BOR	BOR #xx:3,Rd	1					
	BOR #xx:3,@ERd	2			1		
	BOR #xx:3,@aa:8	2			1		
	BOR #xx:3,@aa:16	3			1		
	BOR #xx:3,@aa:32	4			1		
BSET	BSET #xx:3,Rd	1					
	BSET #xx:3,@ERd	2			2		
	BSET #xx:3,@aa:8	2			2		
	BSET #xx:3,@aa:16	3			2		
	BSET #xx:3,@aa:32	4			2		
	BSET Rn,Rd	1					
	BSET Rn,@ERd	2			2		
	BSET Rn,@aa:8	2			2		
	BSET Rn,@aa:16	3			2		
BSET Rn,@aa:32	4			2			

Instruction	Mnemonic	Instruction	Branch	Stack	Byte Data	Word Data	Internal
		Fetch	Address	Read	Operation	Access	Access
		I	J	K	L	M	N
BSR	BSR d:8	2		2			
	BSR d:16	2		2			1
BST	BST #xx:3,Rd	1					
	BST #xx:3,@ERd	2			2		
	BST #xx:3,@aa:8	2			2		
	BST #xx:3,@aa:16	3			2		
	BST #xx:3,@aa:32	4			2		
BTST	BTST #xx:3,Rd	1					
	BTST #xx:3,@ERd	2			1		
	BTST #xx:3,@aa:8	2			1		
	BTST #xx:3,@aa:16	3			1		
	BTST #xx:3,@aa:32	4			1		
	BTST Rn,Rd	1					
	BTST Rn,@ERd	2			1		
	BTST Rn,@aa:8	2			1		
	BTST Rn,@aa:16	3			1		
BTST Rn,@aa:32	4			1			
BXOR	BXOR #xx:3,Rd	1					
	BXOR #xx:3,@ERd	2			1		
	BXOR #xx:3,@aa:8	2			1		
	BXOR #xx:3,@aa:16	3			1		
	BXOR #xx:3,@aa:32	4			1		
CLRMAC	CLRMAC	1					1 <sup>*3</sup>
CMP	CMP.B #xx:8,Rd	1					
	CMP.B Rs,Rd	1					
	CMP.W #xx:16,Rd	2					
	CMP.W Rs,Rd	1					
	CMP.L #xx:32,ERd	3					
	CMP.L ERs,ERd	1					
DAA	DAA Rd	1					
DAS	DAS Rd	1					
DEC	DEC.B Rd	1					
	DEC.W #1/2,Rd	1					
	DEC.L #1/2,ERd	1					
DIVXS	DIVXS.B Rs,Rd	2					11
	DIVXS.W Rs,ERd	2					19
DIVXU	DIVXU.B Rs,Rd	1					11
	DIVXU.W Rs,ERd	1					19

Instruction	Mnemonic	Instruction	Branch	Stack	Byte Data	Word Data	Internal
		Fetch	Address Read	Operation	Access	Access	Operation
		I	J	K	L	M	N
EEPMOV	EEPMOV.B	2			$2n + 2^{*2}$		
	EEPMOV.W	2			$2n + 2^{*2}$		
EXTS	EXTS.W Rd	1					
	EXTS.L ERd	1					
EXTU	EXTU.W Rd	1					
	EXTU.L ERd	1					
INC	INC.B Rd	1					
	INC.W #1/2,Rd	1					
	INC.L #1/2,ERd	1					
JMP	JMP @ERn	2					
	JMP @aa:24	2					1
	JMP @@aa:8	2	2				1
JSR	JSR @ERn	2		2			
	JSR @aa:24	2		2			1
	JSR @@aa:8	2	2	2			
LDC	LDC #xx:8,CCR	1					
	LDC #xx:8,EXR	2					
	LDC Rs,CCR	1					
	LDC Rs,EXR	1					
	LDC @ERs,CCR	2				1	
	LDC @ERs,EXR	2				1	
	LDC @(d:16,ERs),CCR	3				1	
	LDC @(d:16,ERs),EXR	3				1	
	LDC @(d:32,ERs),CCR	5				1	
	LDC @(d:32,ERs),EXR	5				1	
	LDC @ERs+,CCR	2				1	1
	LDC @ERs+,EXR	2				1	1
	LDC @aa:16,CCR	3				1	
	LDC @aa:16,EXR	3				1	
	LDC @aa:32,CCR	4				1	
	LDC @aa:32,EXR	4				1	
LDM	LDM.L @SP+, (ERn-ERn+1)	2		4			1
	LDM.L @SP+, (ERn-ERn+2)	2		6			1
	LDM.L @SP+, (ERn-ERn+3)	2		8			1
LDMAC	LDMAC ERs,MACH	1					1* <sup>3</sup>
	LDMAC ERs,MACL	1					1* <sup>3</sup>

Instruction	Mnemonic	Instruction	Branch	Stack	Byte Data	Word Data	Internal	
		Fetch	Address	Read	Operation	Access	Access	Operation
		I	J	K	L	M	N	
MAC	MAC @ERn+,@ERm+	2				2		
MOV	MOV.B #xx:8,Rd	1						
	MOV.B Rs,Rd	1						
	MOV.B @ERs,Rd	1			1			
	MOV.B @(d:16,ERs),Rd	2			1			
	MOV.B @(d:32,ERs),Rd	4			1			
	MOV.B @ERs+,Rd	1			1		1	
	MOV.B @aa:8,Rd	1			1			
	MOV.B @aa:16,Rd	2			1			
	MOV.B @aa:32,Rd	3			1			
	MOV.B Rs,@ERd	1			1			
	MOV.B Rs,@(d:16,ERd)	2			1			
	MOV.B Rs,@(d:32,ERd)	4			1			
	MOV.B Rs,@-ERd	1			1		1	
	MOV.B Rs,@aa:8	1			1			
	MOV.B Rs,@aa:16	2			1			
	MOV.B Rs,@aa:32	3			1			
	MOV.W #xx:16,Rd	2						
	MOV.W Rs,Rd	1						
	MOV.W @ERs,Rd	1					1	
	MOV.W @(d:16,ERs),Rd	2					1	
	MOV.W @(d:32,ERs),Rd	4					1	
	MOV.W @ERs+,Rd	1					1	1
	MOV.W @aa:16,Rd	2					1	
	MOV.W @aa:32,Rd	3					1	
	MOV.W Rs,@ERd	1					1	
	MOV.W Rs,@(d:16,ERd)	2					1	
	MOV.W Rs,@(d:32,ERd)	4					1	
	MOV.W Rs,@-ERd	1					1	1
	MOV.W Rs,@aa:16	2					1	
	MOV.W Rs,@aa:32	3					1	
	MOV.L #xx:32,ERd	3						
	MOV.L ERs,ERd	1						
	MOV.L @ERs,ERd	2					2	
	MOV.L @(d:16,ERs),ERd	3					2	
	MOV.L @(d:32,ERs),ERd	5					2	
	MOV.L @ERs+,ERd	2					2	1
MOV.L @aa:16,ERd	3					2		
MOV.L @aa:32,ERd	4					2		
MOV.L ERs,@ERd	2					2		
MOV.L ERs,@(d:16,ERd)	3					2		

Instruction	Mnemonic	Instruction	Branch	Stack	Byte Data	Word Data	Internal
		Fetch	Address Read	Operation	Access	Access	Operation
		I	J	K	L	M	N
MOV	MOV.L ERs,@(d:32,ERd)	5				2	
	MOV.L ERs,@-ERd	2				2	1
	MOV.L ERs,@aa:16	3				2	
	MOV.L ERs,@aa:32	4				2	
MOVFPPE	MOVFPPE @:aa:16,Rd	Can not be used in the H8S/2626 Series or H8S/2623 Series.					
MOVTPE	MOVTPE Rs,@:aa:16						
MULXS	MULXS.B Rs,Rd	2					2 <sup>*3</sup>
	MULXS.W Rs,ERd	2					3 <sup>*3</sup>
MULXU	MULXU.B Rs,Rd	1					2 <sup>*3</sup>
	MULXU.W Rs,ERd	1					3 <sup>*3</sup>
NEG	NEG.B Rd	1					
	NEG.W Rd	1					
	NEG.L ERd	1					
NOP	NOP	1					
NOT	NOT.B Rd	1					
	NOT.W Rd	1					
	NOT.L ERd	1					
OR	OR.B #xx:8,Rd	1					
	OR.B Rs,Rd	1					
	OR.W #xx:16,Rd	2					
	OR.W Rs,Rd	1					
	OR.L #xx:32,ERd	3					
	OR.L ERs,ERd	2					
ORC	ORC #xx:8,CCR	1					
	ORC #xx:8,EXR	2					
POP	POP.W Rn	1				1	1
	POP.L ERn	2				2	1
PUSH	PUSH.W Rn	1				1	1
	PUSH.L ERn	2				2	1
ROTL	ROTL.B Rd	1					
	ROTL.B #2,Rd	1					
	ROTL.W Rd	1					
	ROTL.W #2,Rd	1					
	ROTL.L ERd	1					
	ROTL.L #2,ERd	1					
ROTR	ROTR.B Rd	1					
	ROTR.B #2,Rd	1					
	ROTR.W Rd	1					
	ROTR.W #2,Rd	1					
	ROTR.L ERd	1					
	ROTR.L #2,ERd	1					

Instruction	Mnemonic	Instruction Fetch I	Branch Address Read J	Stack Operation K	Byte Data Access L	Word Data Access M	Internal Operation N
ROTXL	ROTXL.B Rd	1					
	ROTXL.B #2,Rd	1					
	ROTXL.W Rd	1					
	ROTXL.W #2,Rd	1					
	ROTXL.L ERd	1					
	ROTXL.L #2,ERd	1					
ROTXR	ROTXR.B Rd	1					
	ROTXR.B #2,Rd	1					
	ROTXR.W Rd	1					
	ROTXR.W #2,Rd	1					
	ROTXR.L ERd	1					
	ROTXR.L #2,ERd	1					
RTE	RTE	2		2/3* <sup>1</sup>			1
RTS	RTS	2		2			1
SHAL	SHAL.B Rd	1					
	SHAL.B #2,Rd	1					
	SHAL.W Rd	1					
	SHAL.W #2,Rd	1					
	SHAL.L ERd	1					
	SHAL.L #2,ERd	1					
SHAR	SHAR.B Rd	1					
	SHAR.B #2,Rd	1					
	SHAR.W Rd	1					
	SHAR.W #2,Rd	1					
	SHAR.L ERd	1					
	SHAR.L #2,ERd	1					
SHLL	SHLL.B Rd	1					
	SHLL.B #2,Rd	1					
	SHLL.W Rd	1					
	SHLL.W #2,Rd	1					
	SHLL.L ERd	1					
	SHLL.L #2,ERd	1					
SHLR	SHLR.B Rd	1					
	SHLR.B #2,Rd	1					
	SHLR.W Rd	1					
	SHLR.W #2,Rd	1					
	SHLR.L ERd	1					
	SHLR.L #2,ERd	1					
SLEEP	SLEEP	1					1



Instruction	Mnemonic	Instruction	Branch	Stack	Byte Data	Word Data	Internal
		Fetch	Address Read	Operation	Access	Access	Operation
		I	J	K	L	M	N
STC	STC.B CCR,Rd	1					
	STC.B EXR,Rd	1					
	STC.W CCR,@ERd	2				1	
	STC.W EXR,@ERd	2				1	
	STC.W CCR,@(d:16,ERd)	3				1	
	STC.W EXR,@(d:16,ERd)	3				1	
	STC.W CCR,@(d:32,ERd)	5				1	
	STC.W EXR,@(d:32,ERd)	5				1	
	STC.W CCR,@-ERd	2				1	1
	STC.W EXR,@-ERd	2				1	1
	STC.W CCR,@aa:16	3				1	
	STC.W EXR,@aa:16	3				1	
	STC.W CCR,@aa:32	4				1	
	STC.W EXR,@aa:32	4				1	
STM	STM.L (ERn-ERn+1),@-SP	2		4			1
	STM.L (ERn-ERn+2),@-SP	2		6			1
	STM.L (ERn-ERn+3),@-SP	2		8			1
STMAC* <sup>3</sup>	STMAC MACH,ERd	1					* <sup>3</sup>
	STMAC MACL,ERd	1					* <sup>3</sup>
SUB	SUB.B Rs,Rd	1					
	SUB.W #xx:16,Rd	2					
	SUB.W Rs,Rd	1					
	SUB.L #xx:32,ERd	3					
	SUB.L ERs,ERd	1					
SUBS	SUBS #1/2/4,ERd	1					
SUBX	SUBX #xx:8,Rd	1					
	SUBX Rs,Rd	1					
TAS	TAS @ERd * <sup>4</sup>	2			2		
TRAPA	TRAPA #x:2	2	2	2/3* <sup>1</sup>			2
XOR	XOR.B #xx:8,Rd	1					
	XOR.B Rs,Rd	1					
	XOR.W #xx:16,Rd	2					
	XOR.W Rs,Rd	1					
	XOR.L #xx:32,ERd	3					
	XOR.L ERs,ERd	2					
XORC	XORC #xx:8,CCR	1					
	XORC #xx:8,EXR	2					

Notes: \*1 2 when EXR is invalid, 3 when EXR is valid.

\*2 5 for concatenated execution, 4 otherwise.

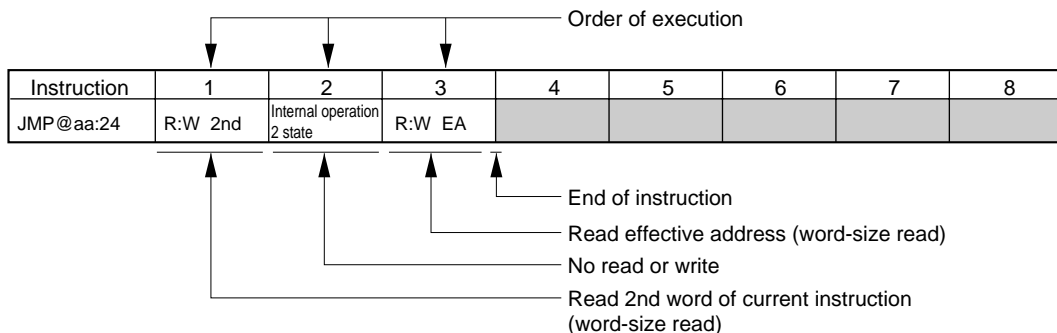
\*3 An internal operation may require between 0 and 3 additional states, depending on the preceding instruction.

\*4 Only register ER0, ER1, ER4, or ER5 should be used when using the TAS instruction.

## A.5 Bus States during Instruction Execution

Table A-6 indicates the types of cycles that occur during instruction execution by the CPU. See table A-4 for the number of states per cycle.

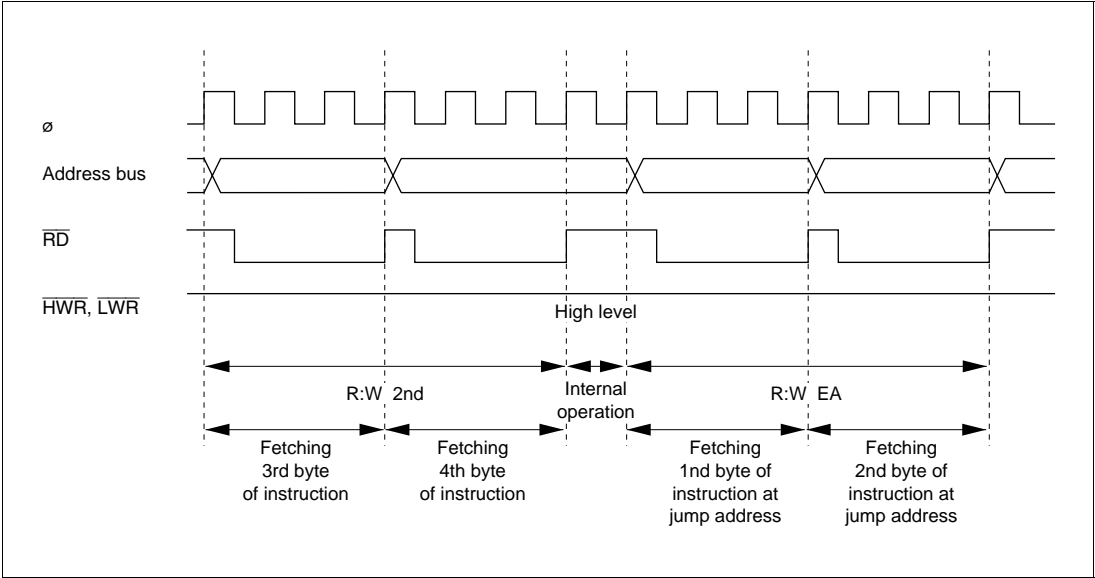
### How to Read the Table:



### Legend

R:B	Byte-size read
R:W	Word-size read
W:B	Byte-size write
W:W	Word-size write
:M	Transfer of the bus is not performed immediately after this cycle
2nd	Address of 2nd word (3rd and 4th bytes)
3rd	Address of 3rd word (5th and 6th bytes)
4th	Address of 4th word (7th and 8th bytes)
5th	Address of 5th word (9th and 10th bytes)
NEXT	Address of next instruction
EA	Effective address
VEC	Vector address

Figure A-1 shows timing waveforms for the address bus and the  $\overline{RD}$ ,  $\overline{HWR}$ , and  $\overline{LWR}$  signals during execution of the above instruction with an 8-bit bus, using three-state access with no wait states.



**Figure A-1 Address Bus,  $\overline{RD}$ ,  $\overline{HWR}$ , and  $\overline{LWR}$  Timing (8-Bit Bus, Three-State Access, No Wait States)**

Table A-6 Instruction Execution Cycles

Instruction	1	2	3	4	5	6	7	8	9
ADD.B #xx:8,Rd	R:W NEXT								
ADD.B Rs,Rd	R:W NEXT								
ADD.W #xx:16,Rd	R:W 2nd	R:W NEXT							
ADD.W Rs,Rd	R:W NEXT								
ADD.L #xx:32,ERd	R:W 2nd	R:W 3rd	R:W NEXT						
ADD.L ERs,ERd	R:W NEXT								
ADDS #1/2/4,ERd	R:W NEXT								
ADDX #xx:8,Rd	R:W NEXT								
ADDX Rs,Rd	R:W NEXT								
AND.B #xx:8,Rd	R:W NEXT								
AND.B Rs,Rd	R:W NEXT								
AND.W #xx:16,Rd	R:W 2nd	R:W NEXT							
AND.W Rs,Rd	R:W NEXT								
AND.L #xx:32,ERd	R:W 2nd	R:W 3rd	R:W NEXT						
AND.L ERs,ERd	R:W 2nd	R:W NEXT							
ANDC #xx:8,CCR	R:W NEXT								
ANDC #xx:8,EXR	R:W 2nd	R:W NEXT							
BAND #xx:3,Rd	R:W NEXT								
BAND #xx:3,@ERd	R:W 2nd	R:B EA	R:W:M NEXT						
BAND #xx:3,@aa:8	R:W 2nd	R:B EA	R:W:M NEXT						
BAND #xx:3,@aa:16	R:W 2nd	R:W 3rd	R:B EA	R:W:M NEXT					
BAND #xx:3,@aa:32	R:W 2nd	R:W 3rd	R:W 4th	R:B EA	R:W:M NEXT				
BRA d:8 (BT d:8)	R:W NEXT	R:W EA							
BRN d:8 (BF d:8)	R:W NEXT	R:W EA							
BHI d:8	R:W NEXT	R:W EA							
BLS d:8	R:W NEXT	R:W EA							
BCC d:8 (BHS d:8)	R:W NEXT	R:W EA							
BOS d:8 (BLO d:8)	R:W NEXT	R:W EA							
BNE d:8	R:W NEXT	R:W EA							
BEQ d:8	R:W NEXT	R:W EA							
BVC d:8	R:W NEXT	R:W EA							
BVS d:8	R:W NEXT	R:W EA							
BPL d:8	R:W NEXT	R:W EA							
BMI d:8	R:W NEXT	R:W EA							
BGE d:8	R:W NEXT	R:W EA							
BLT d:8	R:W NEXT	R:W EA							
BGT d:8	R:W NEXT	R:W EA							

Instruction	1	2	3	4	5	6	7	8	9
BLE d:8	R:W NEXT	R:W EA							
BRA d:16 (BT d:16)	R:W 2nd	Internal operation, 1 state	R:W EA						
BRN d:16 (BF d:16)	R:W 2nd	Internal operation, 1 state	R:W EA						
BHI d:16	R:W 2nd	Internal operation, 1 state	R:W EA						
BLS d:16	R:W 2nd	Internal operation, 1 state	R:W EA						
BCC d:16 (BHS d:16)	R:W 2nd	Internal operation, 1 state	R:W EA						
BCS d:16 (BLO d:16)	R:W 2nd	Internal operation, 1 state	R:W EA						
BNE d:16	R:W 2nd	Internal operation, 1 state	R:W EA						
BEQ d:16	R:W 2nd	Internal operation, 1 state	R:W EA						
BVC d:16	R:W 2nd	Internal operation, 1 state	R:W EA						
BVS d:16	R:W 2nd	Internal operation, 1 state	R:W EA						
BPL d:16	R:W 2nd	Internal operation, 1 state	R:W EA						
BMI d:16	R:W 2nd	Internal operation, 1 state	R:W EA						
BGE d:16	R:W 2nd	Internal operation, 1 state	R:W EA						
BLT d:16	R:W 2nd	Internal operation, 1 state	R:W EA						
BGT d:16	R:W 2nd	Internal operation, 1 state	R:W EA						
BLE d:16	R:W 2nd	Internal operation, 1 state	R:W EA						
BCLR #xx:3,Rd	R:W NEXT								
BCLR #xx:3,@ERd	R:W 2nd	R:B:M EA	R:W:M NEXT	W:B EA					
BCLR #xx:3,@aa:8	R:W 2nd	R:B:M EA	R:W:M NEXT	W:B EA					
BCLR #xx:3,@aa:16	R:W 2nd	R:W 3rd	R:B:M EA	R:W:M NEXT	W:B EA				

Instruction	1	2	3	4	5	6	7	8	9
BCLR #xx:3, @aa:32	R:W 2nd	R:W 3rd	R:W 4th	R:B:MEA	R:W:M NEXT	W:BEA			
BCLR Rn, Rd	R:W NEXT								
BCLR Rn, @ERd	R:W 2nd	R:B:MEA	R:W:M NEXT	W:BEA					
BCLR Rn, @aa:8	R:W 2nd	R:B:MEA	R:W:M NEXT	W:BEA					
BCLR Rn, @aa:16	R:W 2nd	R:W 3rd	R:B:MEA	R:W:M NEXT	W:BEA				
BCLR Rn, @aa:32	R:W 2nd	R:W 3rd	R:W 4th	R:B:MEA	R:W:M NEXT	W:BEA			
BIAND #xx:3, Rd	R:W NEXT								
BIAND #xx:3, @ERd	R:W 2nd	R:B EA	R:W:M NEXT						
BIAND #xx:3, @aa:8	R:W 2nd	R:B EA	R:W:M NEXT						
BIAND #xx:3, @aa:16	R:W 2nd	R:W 3rd	R:B EA	R:W:M NEXT					
BIAND #xx:3, @aa:32	R:W 2nd	R:W 3rd	R:W 4th	R:B EA	R:W:M NEXT				
BILD #xx:3, Rd	R:W NEXT								
BILD #xx:3, @ERd	R:W 2nd	R:B EA	R:W:M NEXT						
BILD #xx:3, @aa:8	R:W 2nd	R:B EA	R:W:M NEXT						
BILD #xx:3, @aa:16	R:W 2nd	R:W 3rd	R:B EA	R:W:M NEXT					
BILD #xx:3, @aa:32	R:W 2nd	R:W 3rd	R:W 4th	R:B EA	R:W:M NEXT				
BIOR #xx:3, Rd	R:W NEXT								
BIOR #xx:3, @ERd	R:W 2nd	R:B EA	R:W:M NEXT						
BIOR #xx:3, @aa:8	R:W 2nd	R:B EA	R:W:M NEXT						
BIOR #xx:3, @aa:16	R:W 2nd	R:W 3rd	R:B EA	R:W:M NEXT					
BIOR #xx:3, @aa:32	R:W 2nd	R:W 3rd	R:W 4th	R:B EA	R:W:M NEXT				
BIST #xx:3, Rd	R:W NEXT								
BIST #xx:3, @ERd	R:W 2nd	R:B:MEA	R:W:M NEXT	W:BEA					
BIST #xx:3, @aa:8	R:W 2nd	R:B:MEA	R:W:M NEXT	W:BEA					
BIST #xx:3, @aa:16	R:W 2nd	R:W 3rd	R:B:MEA	R:W:M NEXT	W:BEA				
BIST #xx:3, @aa:32	R:W 2nd	R:W 3rd	R:W 4th	R:B:MEA	R:W:M NEXT	W:BEA			
BIXOR #xx:3, Rd	R:W NEXT								
BIXOR #xx:3, @ERd	R:W 2nd	R:B EA	R:W:M NEXT						
BIXOR #xx:3, @aa:8	R:W 2nd	R:B EA	R:W:M NEXT						
BIXOR #xx:3, @aa:16	R:W 2nd	R:W 3rd	R:B EA	R:W:M NEXT					
BIXOR #xx:3, @aa:32	R:W 2nd	R:W 3rd	R:W 4th	R:B EA	R:W:M NEXT				
BLD #xx:3, Rd	R:W NEXT								
BLD #xx:3, @ERd	R:W 2nd	R:B EA	R:W:M NEXT						
BLD #xx:3, @aa:8	R:W 2nd	R:B EA	R:W:M NEXT						
BLD #xx:3, @aa:16	R:W 2nd	R:W 3rd	R:B EA	R:W:M NEXT					
BLD #xx:3, @aa:32	R:W 2nd	R:W 3rd	R:W 4th	R:B EA	R:W:M NEXT				
BNOT #xx:3, Rd	R:W NEXT								

Instruction	1	2	3	4	5	6	7	8	9
BNOT #xx:3,@ERd	R:W 2nd	R:B:MEA	R:W:M NEXT	W:B EA					
BNOT #xx:3,@aa:8	R:W 2nd	R:B:MEA	R:W:M NEXT	W:B EA					
BNOT #xx:3,@aa:16	R:W 2nd	R:W 3rd	R:B:MEA	R:W:M NEXT	W:B EA				
BNOT #xx:3,@aa:32	R:W 2nd	R:W 3rd	R:W 4th	R:B:MEA	R:W:M NEXT	W:B EA			
BNOT Rn,Rd	R:W NEXT								
BNOT Rn,@ERd	R:W 2nd	R:B:MEA	R:W:M NEXT	W:B EA					
BNOT Rn,@aa:8	R:W 2nd	R:B:MEA	R:W:M NEXT	W:B EA					
BNOT Rn,@aa:16	R:W 2nd	R:W 3rd	R:B:MEA	R:W:M NEXT	W:B EA				
BNOT Rn,@aa:32	R:W 2nd	R:W 3rd	R:W 4th	R:B:MEA	R:W:M NEXT	W:B EA			
BOR #xx:3,Rd	R:W NEXT								
BOR #xx:3,@ERd	R:W 2nd	R:B EA	R:W:M NEXT						
BOR #xx:3,@aa:8	R:W 2nd	R:B EA	R:W:M NEXT						
BOR #xx:3,@aa:16	R:W 2nd	R:W 3rd	R:B EA	R:W:M NEXT					
BOR #xx:3,@aa:32	R:W 2nd	R:W 3rd	R:W 4th	R:B EA	R:W:M NEXT				
BSET #xx:3,Rd	R:W NEXT								
BSET #xx:3,@ERd	R:W 2nd	R:B:MEA	R:W:M NEXT	W:B EA					
BSET #xx:3,@aa:8	R:W 2nd	R:B:MEA	R:W:M NEXT	W:B EA					
BSET #xx:3,@aa:16	R:W 2nd	R:W 3rd	R:B:MEA	R:W:M NEXT	W:B EA				
BSET #xx:3,@aa:32	R:W 2nd	R:W 3rd	R:W 4th	R:B:MEA	R:W:M NEXT	W:B EA			
BSET Rn,Rd	R:W NEXT								
BSET Rn,@ERd	R:W 2nd	R:B:MEA	R:W:M NEXT	W:B EA					
BSET Rn,@aa:8	R:W 2nd	R:B:MEA	R:W:M NEXT	W:B EA					
BSET Rn,@aa:16	R:W 2nd	R:W 3rd	R:B:MEA	R:W:M NEXT	W:B EA				
BSET Rn,@aa:32	R:W 2nd	R:W 3rd	R:W 4th	R:B:MEA	R:W:M NEXT	W:B EA			
BSR d:8	R:W NEXT	R:W EA	W:W:M stack(H)	W:W stack(L)					
BSR d:16	R:W 2nd	Internal operation, 1 state	R:W EA	W:W:M stack(H)	W:W stack(L)				
BST #xx:3,Rd	R:W NEXT								
BST #xx:3,@ERd	R:W 2nd	R:B:MEA	R:W:M NEXT	W:B EA					
BST #xx:3,@aa:8	R:W 2nd	R:B:MEA	R:W:M NEXT	W:B EA					
BST #xx:3,@aa:16	R:W 2nd	R:W 3rd	R:B:MEA	R:W:M NEXT	W:B EA				
BST #xx:3,@aa:32	R:W 2nd	R:W 3rd	R:W 4th	R:B:MEA	R:W:M NEXT	W:B EA			
BTST #xx:3,Rd	R:W NEXT								
BTST #xx:3,@ERd	R:W 2nd	R:B EA	R:W:M NEXT						

Instruction	1	2	3	4	5	6	7	8	9
BTST #xx:3,@aa:8	R:W 2nd	R:B EA	R:W:M NEXT						
BTST #xx:3,@aa:16	R:W 2nd	R:W 3rd	R:B EA	R:W:M NEXT					
BTST #xx:3,@aa:32	R:W 2nd	R:W 3rd	R:W 4th	R:B EA	R:W:M NEXT				
BTST Rn,Rd	R:W NEXT								
BTST Rn,@ERd	R:W 2nd	R:B EA	R:W:M NEXT						
BTST Rn,@aa:8	R:W 2nd	R:B EA	R:W:M NEXT						
BTST Rn,@aa:16	R:W 2nd	R:W 3rd	R:B EA	R:W:M NEXT					
BTST Rn,@aa:32	R:W 2nd	R:W 3rd	R:W 4th	R:B EA	R:W:M NEXT				
BXOR #xx:3,Rd	R:W NEXT								
BXOR #xx:3,@ERd	R:W 2nd	R:B EA	R:W:M NEXT						
BXOR #xx:3,@aa:8	R:W 2nd	R:B EA	R:W:M NEXT						
BXOR #xx:3,@aa:16	R:W 2nd	R:W 3rd	R:B EA	R:W:M NEXT					
BXOR #xx:3,@aa:32	R:W 2nd	R:W 3rd	R:W 4th	R:B EA	R:W:M NEXT				
CLRMAC	R:W NEXT	Internal operation, 1 state							
CMP.B #xx:8,Rd	R:W NEXT								
CMP.B Rs,Rd	R:W NEXT								
CMP.W #xx:16,Rd	R:W 2nd	R:W NEXT							
CMP.W Rs,Rd	R:W NEXT								
CMP.L #xx:32,ERd	R:W 2nd	R:W 3rd	R:W NEXT						
CMP.L ERs,ERd	R:W NEXT								
DAA Rd	R:W NEXT								
DAS Rd	R:W NEXT								
DEC.B Rd	R:W NEXT								
DEC.W #1/2,Rd	R:W NEXT								
DECL #1/2,ERd	R:W NEXT								
DIVX.B Rs,Rd	R:W 2nd	R:W NEXT	Internal operation, 11 states						
DIVX.W Rs,ERd	R:W 2nd	R:W NEXT	Internal operation, 19 states						
DIVX.U Bs,Rd	R:W NEXT	Internal operation, 11 states							
DIVX.U Rs,ERd	R:W NEXT	Internal operation, 19 states							
EEPMOV.B	R:W 2nd	R:B EAs*1	R:B EAd*1	R:B EAs*2	W:B EAd*2	R:W NEXT			
EEPMOV.W	R:W 2nd	R:B EAs*1	R:B EAd*1	R:B EAs*2	W:B EAd*2	R:W NEXT			
EXTS.W Rd	R:W NEXT				← Repeated n times*2 →				
EXTS.L ERd	R:W NEXT								
EXTU.W Rd	R:W NEXT								
EXTU.L ERd	R:W NEXT								
INC.B Rd	R:W NEXT								



Instruction	1	2	3	4	5	6	7	8	9
INC.W #1/2,Rd	R:W NEXT								
INCL #1/2,ERd	R:W NEXT								
JMP @ERn	R:W NEXT	R:W EA							
JMP @aa:24	R:W 2nd	Internal operation, 1 state	R:W EA						
JMP @ @aa:8	R:W NEXT	R:W:M aa:8	R:W aa:8	Internal operation, 1 state	R:W EA				
JSR @ERn	R:W NEXT	R:W EA	W:W:M stack (H)	W:W stack (L)					
JSR @aa:24	R:W 2nd	Internal operation, 1 state	R:W EA	W:W:M stack (H)	W:W stack (L)				
JSR @ @aa:8	R:W NEXT	R:W:M aa:8	R:W aa:8	W:W:M stack (H)	W:W stack (L)	R:W EA			
LDC #xx:8,CCR	R:W NEXT								
LDC #xx:8,EXR	R:W 2nd	R:W NEXT							
LDC Rs,CCR	R:W NEXT								
LDC Rs,EXR	R:W NEXT								
LDC @ERs,CCR	R:W 2nd	R:W NEXT	R:W EA						
LDC @ERs,EXR	R:W 2nd	R:W NEXT	R:W EA						
LDC @(d:16,ERs),CCR	R:W 2nd	R:W 3rd	R:W NEXT	R:W EA					
LDC @(d:16,ERs),EXR	R:W 2nd	R:W 3rd	R:W NEXT	R:W EA					
LDC @(d:32,ERs),CCR	R:W 2nd	R:W 3rd	R:W 4th	R:W 5th	R:W NEXT	R:W EA			
LDC @(d:32,ERs),EXR	R:W 2nd	R:W 3rd	R:W 4th	R:W 5th	R:W NEXT	R:W EA			
LDC @ERs+,CCR	R:W 2nd	R:W NEXT	Internal operation, 1 state	R:W EA					
LDC @ERs+,EXR	R:W 2nd	R:W NEXT	Internal operation, 1 state	R:W EA					
LDC @aa:16,CCR	R:W 2nd	R:W 3rd	R:W NEXT	R:W EA					
LDC @aa:16,EXR	R:W 2nd	R:W 3rd	R:W NEXT	R:W EA					
LDC @aa:32,CCR	R:W 2nd	R:W 3rd	R:W 4th	R:W NEXT	R:W EA				
LDC @aa:32,EXR	R:W 2nd	R:W 3rd	R:W 4th	R:W NEXT	R:W EA				
LDM.L @SP+, (ERn—ERn+1)	R:W 2nd	R:W:M NEXT	Internal operation, 1 state	R:W:M stack (H) <sup>*3</sup>	R:W stack (L) <sup>*3</sup>				

Instruction	1	2	3	4	5	6	7	8	9
LDML @SP+, (ERn-ERn+2)	R:W 2nd	R:W NEXT	Internal operation, 1 state	R:W/M stack (H) <sup>*3</sup>	R:W stack (L) <sup>*3</sup>				
LDML @SP+, (ERn-ERn+3)	R:W 2nd	R:W NEXT	Internal operation, 1 state	R:W/M stack (H) <sup>*3</sup>	R:W stack (L) <sup>*3</sup>				
LDMAC ERs, MACH	R:W NEXT	Internal operation, 1 state		← Repeated n times <sup>*3</sup> →					
LDMAC ERs, MACL	R:W NEXT	Internal operation, 1 state							
MAC @ERn+, @ERm+	R:W 2nd	R:W NEXT	R:W EA n	R:W EA m					
MOV.B #xx:8, Rd	R:W NEXT								
MOV.B Rs, Rd	R:W NEXT								
MOV.B @ERs, Rd	R:W NEXT	R:B EA							
MOV.B @(d:16.ERs), Rd	R:W 2nd	R:W NEXT	R:B EA						
MOV.B @(d:32.ERs), Rd	R:W 2nd	R:W 3rd	R:W 4th	R:W NEXT	R:B EA				
MOV.B @ERs+, Rd	R:W NEXT	Internal operation, 1 state	R:B EA						
MOV.B @aa:8, Rd	R:W NEXT	R:B EA							
MOV.B @aa:16, Rd	R:W 2nd	R:W NEXT	R:B EA						
MOV.B @aa:32, Rd	R:W 2nd	R:W 3rd	R:W NEXT	R:B EA					
MOV.B Rs, @ERd	R:W NEXT	W:B EA							
MOV.B Rs, @(d:16.ERd)	R:W 2nd	R:W NEXT	W:B EA						
MOV.B Rs, @(d:32.ERd)	R:W 2nd	R:W 3rd	R:W 4th	R:W NEXT	W:B EA				
MOV.B Rs, @-ERd	R:W NEXT	Internal operation, 1 state	W:B EA						
MOV.B Rs, @aa:8	R:W NEXT	W:B EA							
MOV.B Rs, @aa:16	R:W 2nd	R:W NEXT	W:B EA						
MOV.B Rs, @aa:32	R:W 2nd	R:W 3rd	R:W NEXT	W:B EA					
MOV.W #xx:16, Rd	R:W 2nd	R:W NEXT							
MOV.W Rs, Rd	R:W NEXT								
MOV.W @ERs, Rd	R:W NEXT	R:W EA							
MOV.W @(d:16.ERs), Rd	R:W 2nd	R:W NEXT	R:W EA						
MOV.W @(d:32.ERs), Rd	R:W 2nd	R:W 3rd	R:W 4th	R:W NEXT	R:W EA				
MOV.W @ERs+, Rd	R:W NEXT	Internal operation, 1 state	R:W EA						
MOV.W @aa:16, Rd	R:W 2nd	R:W NEXT	R:W EA						
MOV.W @aa:32, Rd	R:W 2nd	R:W 3rd	R:W NEXT	R:B EA					
MOV.W Rs, @ERd	R:W NEXT	W:W EA							

Instruction	1	2	3	4	5	6	7	8	9
MOV.W Rs, @(d:16,ERd)	R:W 2nd	R:W NEXT	W:W EA						
MOV.W Rs, @(d:32,ERd)	R:W 2nd	R:W 3rd	R:E 4th	R:W NEXT	W:W EA				
MOV.W Rs, @-ERd	R:W NEXT	Internal operation, 1 state	W:W EA						
MOV.W Rs, @aa:16	R:W 2nd	R:W NEXT	W:W EA						
MOV.W Rs, @aa:32	R:W 2nd	R:W 3rd	R:W NEXT	W:W EA					
MOV.L #xx:32,ERd	R:W 2nd	R:W 3rd	R:W NEXT						
MOV.L ERs,ERd	R:W NEXT								
MOV.L @ERs,ERd	R:W 2nd	R:W:M NEXT	R:W:M EA	R:W EA+2					
MOV.L @(d:16,ERs),ERd	R:W 2nd	R:W:M 3rd	R:W NEXT	R:W:M EA	R:W EA+2				
MOV.L @(d:32,ERs),ERd	R:W 2nd	R:W:M 3rd	R:W:M 4th	R:W 5th	R:W NEXT	R:W:M EA	R:W EA+2		
MOV.L @ERs+,ERd	R:W 2nd	R:W:M NEXT	Internal operation, 1 state	R:W:M EA	R:W EA+2				
MOV.L @aa:16,ERd	R:W 2nd	R:W:M 3rd	R:W NEXT	R:W:M EA	R:W EA+2				
MOV.L @aa:32,ERd	R:W 2nd	R:W:M 3rd	R:W 4th	R:W NEXT	R:W:M EA	R:W EA+2			
MOV.L ERs,@ERd	R:W 2nd	R:W:M NEXT	W:W:M EA	W:W EA+2					
MOV.L ERs,@(d:16,ERd)	R:W 2nd	R:W:M 3rd	R:W NEXT	W:W:M EA	W:W EA+2				
MOV.L ERs,@(d:32,ERd)	R:W 2nd	R:W:M 3rd	R:W:M 4th	R:W 5th	R:W NEXT	W:W:M EA	W:W EA+2		
MOV.L ERs,@-ERd	R:W 2nd	R:W:M NEXT	Internal operation, 1 state	W:W:M EA	W:W EA+2				
MOV.L ERs,@aa:16	R:W 2nd	R:W:M 3rd	R:W NEXT	W:W:M EA	W:W EA+2				
MOV.L ERs,@aa:32	R:W 2nd	R:W:M 3rd	R:W 4th	R:W NEXT	W:W:M EA	W:W EA+2			
MOV.FPE @aa:16,Rd <sup>*4</sup>	Cannot be used in the H8S/2626 Series or H8S/2623 Series.								
MOV.TPE Rs,@aa:16 <sup>*4</sup>									
MULXS.B Rs,Rd	R:W 2nd	R:W NEXT	Internal operation, 2 states						
MULXS.W Rs,ERd	R:W 2nd	R:W NEXT	Internal operation, 3 states						
MULXU.B Rs,Rd	R:W NEXT	Internal operation, 2 states							
MULXU.W Rs,ERd	R:W NEXT	Internal operation, 3 states							
NEG.B Rd	R:W NEXT								
NEG.W Rd	R:W NEXT								
NEG.L ERd	R:W NEXT								
NOT.B Rd	R:W NEXT								
NOT.W Rd	R:W NEXT								
NOT.L ERd	R:W NEXT								
OR.B #xx:8,Rd	R:W NEXT								
OR.B Rs,Rd	R:W NEXT								

Instruction	1	2	3	4	5	6	7	8	9
OR.W #xx:16,Rd	R:W 2nd	R:W NEXT							
OR.W Rs,Rd	R:W NEXT								
OR.L #xx:32,ERd	R:W 2nd	R:W 3rd	R:W NEXT						
OR.L ERs,ERd	R:W 2nd	R:W NEXT							
ORC #xx:8,CCR	R:W NEXT								
ORC #xx:8,EXR	R:W 2nd	R:W NEXT							
POP.W Rn	R:W NEXT	Internal operation, 1 state	R:W EA						
POP.L ERn	R:W 2nd	R:W:M NEXT	Internal operation, 1 state	R:W:M EA	R:W EA+2				
PUSH.W Rn	R:W NEXT	Internal operation, 1 state	W:W EA						
PUSH.L ERn	R:W 2nd	R:W:M NEXT	Internal operation, 1 state	W:W:M EA	W:W EA+2				
ROT.L.B Rd	R:W NEXT								
ROT.L.B #2,Rd	R:W NEXT								
ROT.L.W Rd	R:W NEXT								
ROT.L.W #2,Rd	R:W NEXT								
ROT.L.L ERd	R:W NEXT								
ROT.L.L #2,ERd	R:W NEXT								
ROT.R.B Rd	R:W NEXT								
ROT.R.B #2,Rd	R:W NEXT								
ROT.R.W Rd	R:W NEXT								
ROT.R.W #2,Rd	R:W NEXT								
ROT.R.L ERd	R:W NEXT								
ROT.R.L #2,ERd	R:W NEXT								
ROT.X.L.B Rd	R:W NEXT								
ROT.X.L.B #2,Rd	R:W NEXT								
ROT.X.L.W Rd	R:W NEXT								
ROT.X.L.W #2,Rd	R:W NEXT								
ROT.X.L.L ERd	R:W NEXT								
ROT.X.L.L #2,ERd	R:W NEXT								
ROT.X.R.B Rd	R:W NEXT								
ROT.X.R.B #2,Rd	R:W NEXT								
ROT.X.R.W Rd	R:W NEXT								
ROT.X.R.W #2,Rd	R:W NEXT								
ROT.X.R.L ERd	R:W NEXT								

Instruction	1	2	3	4	5	6	7	8	9
ROTXR.L #2,ERd	R:W NEXT								
RTE	R:W NEXT	R:W stack (EXR)	R:W stack (H)	R:W stack (L)	Internal operation, 1 state	R:W <sup>PS5</sup>			
RTS	R:W NEXT	R:W:M stack (H)	R:W stack (L)	Internal operation, 1 state	R:W <sup>PS5</sup>				
SHAL.B Rd	R:W NEXT								
SHAL.B #2,Rd	R:W NEXT								
SHAL.W Rd	R:W NEXT								
SHAL.W #2,Rd	R:W NEXT								
SHALL.ERd	R:W NEXT								
SHALL.#2,ERd	R:W NEXT								
SHAR.B Rd	R:W NEXT								
SHAR.B #2,Rd	R:W NEXT								
SHAR.W Rd	R:W NEXT								
SHAR.W #2,Rd	R:W NEXT								
SHAR.L ERd	R:W NEXT								
SHAR.L #2,ERd	R:W NEXT								
SHLL.B Rd	R:W NEXT								
SHLL.B #2,Rd	R:W NEXT								
SHLL.W Rd	R:W NEXT								
SHLL.W #2,Rd	R:W NEXT								
SHLLL.ERd	R:W NEXT								
SHLLL.#2,ERd	R:W NEXT								
SHLR.B Rd	R:W NEXT								
SHLR.B #2,Rd	R:W NEXT								
SHLR.W Rd	R:W NEXT								
SHLR.W #2,Rd	R:W NEXT								
SHLR.L ERd	R:W NEXT								
SHLR.L #2,ERd	R:W NEXT								
SLEEP	R:W NEXT	Internal operation:M							
STC.CCR,Rd	R:W NEXT								
STC.EXR,Rd	R:W NEXT								
STC.CCR,@ERd	R:W 2nd	R:W NEXT	W:W EA						
STC.EXR,@ERd	R:W 2nd	R:W NEXT	W:W EA						
STC.CCR,@(d:16),ERd)	R:W 2nd	R:W 3rd	R:W NEXT	W:W EA					

Instruction	1	2	3	4	5	6	7	8	9
STC EXR, @(d:16,ERd)	R:W 2nd	R:W 3rd	R:W NEXT	W:W EA					
STC CCR, @(d:32,ERd)	R:W 2nd	R:W 3rd	R:W 4th	R:W 5th	R:W NEXT	W:W EA			
STC EXR, @(d:32,ERd)	R:W 2nd	R:W 3rd	R:W 4th	R:W 5th	R:W NEXT	W:W EA			
STC CCR, @-ERd	R:W 2nd	R:W NEXT	Internal operation, 1 state	W:W EA					
STC EXR, @-ERd	R:W 2nd	R:W NEXT	Internal operation, 1 state	W:W EA					
STC CCR, @aa:16	R:W 2nd	R:W 3rd	R:W NEXT	W:W EA					
STC EXR, @aa:16	R:W 2nd	R:W 3rd	R:W NEXT	W:W EA					
STC CCR, @aa:32	R:W 2nd	R:W 3rd	R:W 4th	R:W NEXT	W:W EA				
STC EXR, @aa:32	R:W 2nd	R:W 3rd	R:W 4th	R:W NEXT	W:W EA				
STML(ERn-ERn+1),@-SP	R:W 2nd	R:W:M NEXT	Internal operation, 1 state	W:W:M stack (H) <sup>*3</sup>	W:W stack (L) <sup>*3</sup>				
STML(ERn-ERn+2),@-SP	R:W 2nd	R:W:M NEXT	Internal operation, 1 state	W:W:M stack (H) <sup>*3</sup>	W:W stack (L) <sup>*3</sup>				
STML(ERn-ERn+3),@-SP	R:W 2nd	R:W:M NEXT	Internal operation, 1 state	W:W:M stack (H) <sup>*3</sup>	W:W stack (L) <sup>*3</sup>				
STMACH,ERd	R:W NEXT								
STMACH,ERd	R:W NEXT								
SUB.B Rs,Rd	R:W NEXT								
SUB.W #xx:16,Rd	R:W 2nd	R:W NEXT							
SUB.W Rs,Rd	R:W NEXT								
SUB.L #xx:32,ERd	R:W 2nd	R:W 3rd	R:W NEXT						
SUB.L ERs,ERd	R:W NEXT								
SUBS #1/2/4,ERd	R:W NEXT								
SUBX #xx:8,Rd	R:W NEXT								
SUBX Rs,Rd	R:W NEXT								
TAS @ERd <sup>*9</sup>	R:W 2nd	R:W NEXT	R:B:MEA	W:B EA					
TRAPA #x:2	R:W NEXT	Internal operation, 1 state	W:W stack (L)	W:W stack (H)	W:W stack (EXR)	R:W:M VEC	R:W VEC+2	Internal operation, 1 state	R:W <sup>*8</sup>
XOR.B #xx:8,Rd	R:W NEXT								
XOR.B Rs,Rd	R:W NEXT								
XOR.W #xx:16,Rd	R:W 2nd	R:W NEXT							
XOR.W Rs,Rd	R:W NEXT								
XOR.L #xx:32,ERd	R:W 2nd	R:W 3rd	R:W NEXT						

Instruction	1	2	3	4	5	6	7	8	9
XOR.L ERs, ERd	R:W 2nd	R:W NEXT							
XORC #xx:8, CCR	R:W NEXT								
XORC #xx:8, EXR	R:W 2nd	R:W NEXT							
Reset exception	R:W VEC	R:W VEC+2	Internal operation, 1 state	R:W*6					
Interrupt exception	R:W*7	Internal operation, 1 state	W:W stack (L)	W:W stack (H)	W:W stack (EXR)	R:W:M VEC	R:W VEC+2	Internal operation, 1 state	R:W*8

Notes: \*1 EAs is the contents of ER5. EAd is the contents of ER6.

\*2 EAs is the contents of ER5. EAd is the contents of ER6. Both registers are incremented by 1 after execution of the instruction. n is the initial value of R4L or R4. If n = 0, these bus cycles are not executed.

\*3 Repeated two times to save or restore two registers, three times for three registers, or four times for four registers.

\*4 Cannot be used in the H8S/2626 Series or H8S/2623 Series.

\*5 Start address after return.

\*6 Start address of the program.

\*7 Prefetch address, equal to two plus the PC value pushed onto the stack. In recovery from sleep mode or software standby mode the read operation is replaced by an internal operation.

\*8 Start address of the interrupt-handling routine.

\*9 Only register ER0, ER1, ER4, or ER5 should be used when using the TAS instruction.

## A.6 Condition Code Modification

This section indicates the effect of each CPU instruction on the condition code. The notation used in the table is defined below.

$$m = \begin{cases} 31 & \text{for longword operands} \\ 15 & \text{for word operands} \\ 7 & \text{for byte operands} \end{cases}$$

Si	The i-th bit of the source operand
Di	The i-th bit of the destination operand
Ri	The i-th bit of the result
Dn	The specified bit in the destination operand
—	Not affected
↕	Modified according to the result of the instruction (see definition)
0	Always cleared to 0
1	Always set to 1
*	Undetermined (no guaranteed value)
Z'	Z flag before instruction execution
C'	C flag before instruction execution



**Table A-7 Condition Code Modification**

Instruction	H	N	Z	V	C	Definition
ADD	↑	↑	↑	↑	↑	$H = S_{m-4} \cdot D_{m-4} + D_{m-4} \cdot \overline{R_{m-4}} + S_{m-4} \cdot \overline{R_{m-4}}$ $N = R_m$ $Z = \overline{R_m} \cdot \overline{R_{m-1}} \cdot \dots \cdot \overline{R_0}$ $V = S_m \cdot D_m \cdot \overline{R_m} + \overline{S_m} \cdot \overline{D_m} \cdot R_m$ $C = S_m \cdot D_m + D_m \cdot \overline{R_m} + S_m \cdot \overline{R_m}$
ADDS	—	—	—	—	—	
ADDX	↑	↑	↑	↑	↑	$H = S_{m-4} \cdot D_{m-4} + D_{m-4} \cdot \overline{R_{m-4}} + S_{m-4} \cdot \overline{R_{m-4}}$ $N = R_m$ $Z = Z' \cdot \overline{R_m} \cdot \dots \cdot \overline{R_0}$ $V = S_m \cdot D_m \cdot \overline{R_m} + \overline{S_m} \cdot \overline{D_m} \cdot R_m$ $C = S_m \cdot D_m + D_m \cdot \overline{R_m} + S_m \cdot \overline{R_m}$
AND	—	↑	↑	0	—	$N = R_m$ $Z = \overline{R_m} \cdot \overline{R_{m-1}} \cdot \dots \cdot \overline{R_0}$
ANDC	↑	↑	↑	↑	↑	Stores the corresponding bits of the result. No flags change when the operand is EXR.
BAND	—	—	—	—	↑	$C = C' \cdot D_n$
Bcc	—	—	—	—	—	
BCLR	—	—	—	—	—	
BIAND	—	—	—	—	↑	$C = C' \cdot \overline{D_n}$
BILD	—	—	—	—	↑	$C = \overline{D_n}$
BIOR	—	—	—	—	↑	$C = C' + \overline{D_n}$
BIST	—	—	—	—	—	
BIXOR	—	—	—	—	↑	$C = C' \cdot D_n + \overline{C'} \cdot \overline{D_n}$
BLD	—	—	—	—	↑	$C = D_n$
BNOT	—	—	—	—	—	
BOR	—	—	—	—	↑	$C = C' + D_n$
BSET	—	—	—	—	—	
BSR	—	—	—	—	—	
BST	—	—	—	—	—	
BTST	—	—	↑	—	—	$Z = \overline{D_n}$
BXOR	—	—	—	—	↑	$C = C' \cdot \overline{D_n} + \overline{C'} \cdot D_n$
CLRMAC	—	—	—	—	—	

Instruction	H	N	Z	V	C	Definition
CMP	↓	↓	↓	↓	↓	$H = \overline{S_{m-4}} \cdot \overline{D_{m-4}} + D_{m-4} \cdot R_{m-4} + S_{m-4} \cdot R_{m-4}$ $N = R_m$ $Z = \overline{R_m} \cdot \overline{R_{m-1}} \cdot \dots \cdot \overline{R_0}$ $V = \overline{S_m} \cdot D_m \cdot \overline{R_m} + S_m \cdot \overline{D_m} \cdot R_m$ $C = S_m \cdot \overline{D_m} + \overline{D_m} \cdot R_m + S_m \cdot R_m$
DAA	*	↓	↓	*	↓	$N = R_m$ $Z = \overline{R_m} \cdot \overline{R_{m-1}} \cdot \dots \cdot \overline{R_0}$ C: decimal arithmetic carry
DAS	*	↓	↓	*	↓	$N = R_m$ $Z = \overline{R_m} \cdot \overline{R_{m-1}} \cdot \dots \cdot \overline{R_0}$ C: decimal arithmetic borrow
DEC	—	↓	↓	↓	—	$N = R_m$ $Z = \overline{R_m} \cdot \overline{R_{m-1}} \cdot \dots \cdot \overline{R_0}$ $V = D_m \cdot \overline{R_m}$
DIVXS	—	↓	↓	—	—	$N = S_m \cdot \overline{D_m} + \overline{S_m} \cdot D_m$ $Z = \overline{S_m} \cdot \overline{S_{m-1}} \cdot \dots \cdot \overline{S_0}$
DIVXU	—	↓	↓	—	—	$N = S_m$ $Z = \overline{S_m} \cdot \overline{S_{m-1}} \cdot \dots \cdot \overline{S_0}$
EEPMOV	—	—	—	—	—	
EXTS	—	↓	↓	0	—	$N = R_m$ $Z = \overline{R_m} \cdot \overline{R_{m-1}} \cdot \dots \cdot \overline{R_0}$
EXTU	—	0	↓	0	—	$Z = \overline{R_m} \cdot \overline{R_{m-1}} \cdot \dots \cdot \overline{R_0}$
INC	—	↓	↓	↓	—	$N = R_m$ $Z = \overline{R_m} \cdot \overline{R_{m-1}} \cdot \dots \cdot \overline{R_0}$ $V = \overline{D_m} \cdot R_m$
JMP	—	—	—	—	—	
JSR	—	—	—	—	—	
LDC	↓	↓	↓	↓	↓	Stores the corresponding bits of the result. No flags change when the operand is EXR.
LDM	—	—	—	—	—	
LDMAC	—	—	—	—	—	
MAC	—	—	—	—	—	

Instruction	H	N	Z	V	C	Definition
MOV	—	↓	↓	0	—	N = Rm Z = $\overline{Rm} \cdot \overline{Rm-1} \cdot \dots \cdot \overline{R0}$
MOVFP						Can not be used in the H8S/2626 Series or H8S/2623 Series.
MOVTPE						
MULXS	—	↓	↓	—	—	N = R2m Z = $\overline{R2m} \cdot \overline{R2m-1} \cdot \dots \cdot \overline{R0}$
MULXU	—	—	—	—	—	
NEG	↓	↓	↓	↓	↓	H = Dm-4 + Rm-4 N = Rm Z = $\overline{Rm} \cdot \overline{Rm-1} \cdot \dots \cdot \overline{R0}$ V = Dm · Rm C = Dm + Rm
NOP	—	—	—	—	—	
NOT	—	↓	↓	0	—	N = Rm Z = $\overline{Rm} \cdot \overline{Rm-1} \cdot \dots \cdot \overline{R0}$
OR	—	↓	↓	0	—	N = Rm Z = $\overline{Rm} \cdot \overline{Rm-1} \cdot \dots \cdot \overline{R0}$
ORC	↓	↓	↓	↓	↓	Stores the corresponding bits of the result. No flags change when the operand is EXR.
POP	—	↓	↓	0	—	N = Rm Z = $\overline{Rm} \cdot \overline{Rm-1} \cdot \dots \cdot \overline{R0}$
PUSH	—	↓	↓	0	—	N = Rm Z = $\overline{Rm} \cdot \overline{Rm-1} \cdot \dots \cdot \overline{R0}$
ROTL	—	↓	↓	0	↓	N = Rm Z = $\overline{Rm} \cdot \overline{Rm-1} \cdot \dots \cdot \overline{R0}$ C = Dm (1-bit shift) or C = Dm-1 (2-bit shift)
ROTR	—	↓	↓	0	↓	N = Rm Z = $\overline{Rm} \cdot \overline{Rm-1} \cdot \dots \cdot \overline{R0}$ C = D0 (1-bit shift) or C = D1 (2-bit shift)

Instruction	H	N	Z	V	C	Definition
ROTXL	—	↓	↓	0	↓	$N = R_m$ $Z = \overline{R_m} \cdot \overline{R_{m-1}} \cdot \dots \cdot \overline{R_0}$ $C = D_m$ (1-bit shift) or $C = D_{m-1}$ (2-bit shift)
ROTXR	—	↓	↓	0	↓	$N = R_m$ $Z = \overline{R_m} \cdot \overline{R_{m-1}} \cdot \dots \cdot \overline{R_0}$ $C = D_0$ (1-bit shift) or $C = D_1$ (2-bit shift)
RTE	↓	↓	↓	↓	↓	Stores the corresponding bits of the result.
RTS	—	—	—	—	—	
SHAL	—	↓	↓	↓	↓	$N = R_m$ $Z = \overline{R_m} \cdot \overline{R_{m-1}} \cdot \dots \cdot \overline{R_0}$ $V = \overline{D_m} \cdot \overline{D_{m-1}} + \overline{D_m} \cdot \overline{D_{m-1}}$ (1-bit shift) $V = \overline{D_m} \cdot \overline{D_{m-1}} \cdot \overline{D_{m-2}} \cdot \overline{D_m} \cdot \overline{D_{m-1}} \cdot \overline{D_{m-2}}$ (2-bit shift) $C = D_m$ (1-bit shift) or $C = D_{m-1}$ (2-bit shift)
SHAR	—	↓	↓	0	↓	$N = R_m$ $Z = \overline{R_m} \cdot \overline{R_{m-1}} \cdot \dots \cdot \overline{R_0}$ $C = D_0$ (1-bit shift) or $C = D_1$ (2-bit shift)
SHLL	—	↓	↓	0	↓	$N = R_m$ $Z = \overline{R_m} \cdot \overline{R_{m-1}} \cdot \dots \cdot \overline{R_0}$ $C = D_m$ (1-bit shift) or $C = D_{m-1}$ (2-bit shift)
SHLR	—	0	↓	0	↓	$N = R_m$ $Z = \overline{R_m} \cdot \overline{R_{m-1}} \cdot \dots \cdot \overline{R_0}$ $C = D_0$ (1-bit shift) or $C = D_1$ (2-bit shift)
SLEEP	—	—	—	—	—	
STC	—	—	—	—	—	
STM	—	—	—	—	—	
STMAC	—	↓	↓	↓	—	$N = 1$ if MAC instruction resulted in negative value in MAC register $Z = 1$ if MAC instruction resulted in zero value in MAC register $V = 1$ if MAC instruction resulted in overflow

Instruction	H	N	Z	V	C	Definition
SUB	↓	↓	↓	↓	↓	$H = S_{m-4} \cdot \overline{D_{m-4}} + \overline{D_{m-4}} \cdot R_{m-4} + S_{m-4} \cdot R_{m-4}$ $N = R_m$ $Z = \overline{R_m} \cdot \overline{R_{m-1}} \cdot \dots \cdot \overline{R_0}$ $V = \overline{S_m} \cdot D_m \cdot \overline{R_m} + S_m \cdot \overline{D_m} \cdot R_m$ $C = S_m \cdot \overline{D_m} + \overline{D_m} \cdot R_m + S_m \cdot R_m$
SUBS	—	—	—	—	—	
SUBX	↓	↓	↓	↓	↓	$H = S_{m-4} \cdot \overline{D_{m-4}} + \overline{D_{m-4}} \cdot R_{m-4} + S_{m-4} \cdot R_{m-4}$ $N = R_m$ $Z = Z' \cdot \overline{R_m} \cdot \dots \cdot \overline{R_0}$ $V = \overline{S_m} \cdot D_m \cdot \overline{R_m} + S_m \cdot \overline{D_m} \cdot R_m$ $C = S_m \cdot \overline{D_m} + \overline{D_m} \cdot R_m + S_m \cdot R_m$
TAS	—	↓	↓	0	—	$N = D_m$ $Z = \overline{D_m} \cdot \overline{D_{m-1}} \cdot \dots \cdot \overline{D_0}$
TRAPA	—	—	—	—	—	
XOR	—	↓	↓	0	—	$N = R_m$ $Z = \overline{R_m} \cdot \overline{R_{m-1}} \cdot \dots \cdot \overline{R_0}$
XORC	↓	↓	↓	↓	↓	<p>Stores the corresponding bits of the result.</p> <p>No flags change when the operand is EXR.</p>

# Appendix B Internal I/O Register

## B.1 Address

Address	Register									Module Name	Data Bus Width
	Name	Bit 7	Bit 6	Bit 5	Bit 4	Bit 3	Bit 2	Bit 1	Bit 0		
H'EBC0	MRA	SM1	SM0	DM1	DM0	MD1	MD0	DTS	Sz	DTC	16/32* <sup>1</sup> bits
to	MRB	CHNE	DISEL	—	—	—	—	—	—		
H'EFBF	SAR										
	DAR										
	CRA										
	CRB										
H'F800	MCR	MCR7	—	MCR5	—	—	MCR2	MCR1	MCR0	HCAN	8 16
H'F801	GSR	—	—	—	—	GSR3	GSR2	GSR1	GSR0		8
H'F802	BCR	BCR7	BCR6	BCR5	BCR4	BCR3	BCR2	BCR1	BCR0		8, 16
H'F803		BCR15	BCR14	BCR13	BCR12	BCR11	BCR10	BCR9	BCR8		
H'F804	MBCR	MBCR7	MBCR6	MBCR5	MBCR4	MBCR3	MBCR2	MBCR1	—		
H'F805		MBCR15	MBCR14	MBCR13	MBCR12	MBCR11	MBCR10	MBCR9	MBCR8		
H'F806	TXPR	TXPR7	TXPR6	TXPR5	TXPR4	TXPR3	TXPR2	TXPR1	—		
H'F807		TXPR15	TXPR14	TXPR13	TXPR12	TXPR11	TXPR10	TXPR9	TXPR8		
H'F808	TXCR	TXCR7	TXCR6	TXCR5	TXCR4	TXCR3	TXCR2	TXCR1	—		
H'F809		TXCR15	TXCR14	TXCR13	TXCR12	TXCR11	TXCR10	TXCR9	TXCR8		
H'F80A	TXACK	TXACK7	TXACK6	TXACK5	TXACK4	TXACK3	TXACK2	TXACK1	—		
H'F80B		TXACK15	TXACK14	TXACK13	TXACK12	TXACK11	TXACK10	TXACK9	TXACK8		
H'F80C	ABACK	ABACK7	ABACK6	ABACK5	ABACK4	ABACK3	ABACK2	ABACK1	—		
H'F80D		ABACK15	ABACK14	ABACK13	ABACK12	ABACK11	ABACK10	ABACK9	ABACK8		
H'F80E	RXPR	RXPR7	RXPR6	RXPR5	RXPR4	RXPR3	RXPR2	RXPR1	RXPR0		
H'F80F		RXPR15	RXPR14	RXPR13	RXPR12	RXPR11	RXPR10	RXPR9	RXPR8		
H'F810	RFPR	RFPR7	RFPR6	RFPR5	RFPR4	RFPR3	RFPR2	RFPR1	RFPR0		
H'F811		RFPR15	RFPR14	RFPR13	RFPR12	RFPR11	RFPR10	RFPR9	RFPR8		
H'F812	IRR	IRR7	IRR6	IRR5	IRR4	IRR3	IRR2	IRR1	IRR0		
H'F813		—	—	—	IRR12	—	—	IRR9	IRR8		

Address	Register									Module Name	Data Bus Width
	Name	Bit 7	Bit 6	Bit 5	Bit 4	Bit 3	Bit 2	Bit 1	Bit 0		
HF814	MBIMR	MBIMR7	MBIMR6	MBIMR5	MBIMR4	MBIMR3	MBIMR2	MBIMR1	MBIMR0	HCAN	8, 16
HF815		MBIMR15	MBIMR14	MBIMR13	MBIMR12	MBIMR11	MBIMR10	MBIMR9	MBIMR8		
HF816	IMR	IMR7	IMR6	IMR5	IMR4	IMR3	IMR2	IMR1	—		
HF817		—	—	—	IMR12	—	—	IMR9	IMR8		
HF818	REC										8, 16
HF819	TEC										8
HF81A	UMSR	UMSR7	UMSR6	UMSR5	UMSR4	UMSR3	UMSR2	UMSR1	UMSR0		8, 16
HF81B		UMSR15	UMSR14	UMSR13	UMSR12	UMSR11	UMSR10	UMSR9	UMSR8		
HF81C	LAFML	LAFML7	LAFML6	LAFML5	LAFML4	LAFML3	LAFML2	LAFML1	LAFML0		
HF81D		LAFML15	LAFML14	LAFML13	LAFML12	LAFML11	LAFML10	LAFML9	LAFML8		
HF81E	LAFMH	LAFMH7	LAFMH6	LAFMH5	—	—	—	LAFMH1	LAFMH0		
HF81F		LAFMH15	LAFMH14	LAFMH13	LAFMH12	LAFMH11	LAFMH10	LAFMH9	LAFMH8		
HF820	MC0[1]	—	—	—	—	DLC3	DLC2	DLC1	DLC0		
HF821	MC0[2]	—	—	—	—	—	—	—	—		
HF822	MC0[3]	—	—	—	—	—	—	—	—		
HF823	MC0[4]	—	—	—	—	—	—	—	—		
HF824	MC0[5]	STD_ID2	STD_ID1	STD_ID0	RTR	IDE	—	EXD_ID17	EXD_ID16		
HF825	MC0[6]	STD_ID10	STD_ID9	STD_ID8	STD_ID7	STD_ID6	STD_ID5	STD_ID4	STD_ID3		
HF826	MC0[7]	EXD_ID7	EXD_ID6	EXD_ID5	EXD_ID4	EXD_ID3	EXD_ID2	EXD_ID1	EXD_ID0		
HF827	MC0[8]	EXD_ID15	EXD_ID14	EXD_ID13	EXD_ID12	EXD_ID11	EXD_ID10	EXD_ID9	EXD_ID8		
HF828	MC1[1]	—	—	—	—	DLC3	DLC2	DLC1	DLC0		
HF829	MC1[2]	—	—	—	—	—	—	—	—		
HF82A	MC1[3]	—	—	—	—	—	—	—	—		
HF82B	MC1[4]	—	—	—	—	—	—	—	—		
HF82C	MC1[5]	STD_ID2	STD_ID1	STD_ID0	RTR	IDE	—	EXD_ID17	EXD_ID16		
HF82D	MC1[6]	STD_ID10	STD_ID9	STD_ID8	STD_ID7	STD_ID6	STD_ID5	STD_ID4	STD_ID3		
HF82E	MC1[7]	EXD_ID7	EXD_ID6	EXD_ID5	EXD_ID4	EXD_ID3	EXD_ID2	EXD_ID1	EXD_ID0		
HF82F	MC1[8]	EXD_ID15	EXD_ID14	EXD_ID13	EXD_ID12	EXD_ID11	EXD_ID10	EXD_ID9	EXD_ID8		
HF830	MC2[1]	—	—	—	—	DLC3	DLC2	DLC1	DLC0		
HF831	MC2[2]	—	—	—	—	—	—	—	—		
HF832	MC2[3]	—	—	—	—	—	—	—	—		
HF833	MC2[4]	—	—	—	—	—	—	—	—		
HF834	MC2[5]	STD_ID2	STD_ID1	STD_ID0	RTR	IDE	—	EXD_ID17	EXD_ID16		
HF835	MC2[6]	STD_ID10	STD_ID9	STD_ID8	STD_ID7	STD_ID6	STD_ID5	STD_ID4	STD_ID3		
HF836	MC2[7]	EXD_ID7	EXD_ID6	EXD_ID5	EXD_ID4	EXD_ID3	EXD_ID2	EXD_ID1	EXD_ID0		
HF837	MC2[8]	EXD_ID15	EXD_ID14	EXD_ID13	EXD_ID12	EXD_ID11	EXD_ID10	EXD_ID9	EXD_ID8		
HF838	MC3[1]	—	—	—	—	DLC3	DLC2	DLC1	DLC0		
HF839	MC3[2]	—	—	—	—	—	—	—	—		

Address	Register									Module Name	Data Bus Width
	Name	Bit 7	Bit 6	Bit 5	Bit 4	Bit 3	Bit 2	Bit 1	Bit 0		
H'F83A	MC3[3]	—	—	—	—	—	—	—	—	HCAN	8, 16
H'F83B	MC3[4]	—	—	—	—	—	—	—	—		
H'F83C	MC3[5]	STD_ID2	STD_ID1	STD_ID0	RTR	IDE	—	EXD_ID17	EXD_ID16		
H'F83D	MC3[6]	STD_ID10	STD_ID9	STD_ID8	STD_ID7	STD_ID6	STD_ID5	STD_ID4	STD_ID3		
H'F83E	MC3[7]	EXD_ID7	EXD_ID6	EXD_ID5	EXD_ID4	EXD_ID3	EXD_ID2	EXD_ID1	EXD_ID0		
H'F83F	MC3[8]	EXD_ID15	EXD_ID14	EXD_ID13	EXD_ID12	EXD_ID11	EXD_ID10	EXD_ID9	EXD_ID8		
H'F840	MC4[1]	—	—	—	—	DLC3	DLC2	DLC1	DLC0		
H'F841	MC4[2]	—	—	—	—	—	—	—	—		
H'F842	MC4[3]	—	—	—	—	—	—	—	—		
H'F843	MC4[4]	—	—	—	—	—	—	—	—		
H'F844	MC4[5]	STD_ID2	STD_ID1	STD_ID0	RTR	IDE	—	EXD_ID17	EXD_ID16		
H'F845	MC4[6]	STD_ID10	STD_ID9	STD_ID8	STD_ID7	STD_ID6	STD_ID5	STD_ID4	STD_ID3		
H'F846	MC4[7]	EXD_ID7	EXD_ID6	EXD_ID5	EXD_ID4	EXD_ID3	EXD_ID2	EXD_ID1	EXD_ID0		
H'F847	MC4[8]	EXD_ID15	EXD_ID14	EXD_ID13	EXD_ID12	EXD_ID11	EXD_ID10	EXD_ID9	EXD_ID8		
H'F848	MC5[1]	—	—	—	—	DLC3	DLC2	DLC1	DLC0		
H'F849	MC5[2]	—	—	—	—	—	—	—	—		
H'F84A	MC5[3]	—	—	—	—	—	—	—	—		
H'F84B	MC5[4]	—	—	—	—	—	—	—	—		
H'F84C	MC5[5]	STD_ID2	STD_ID1	STD_ID0	RTR	IDE	—	EXD_ID17	EXD_ID16		
H'F84D	MC5[6]	STD_ID10	STD_ID9	STD_ID8	STD_ID7	STD_ID6	STD_ID5	STD_ID4	STD_ID3		
H'F84E	MC5[7]	EXD_ID7	EXD_ID6	EXD_ID5	EXD_ID4	EXD_ID3	EXD_ID2	EXD_ID1	EXD_ID0		
H'F84F	MC5[8]	EXD_ID15	EXD_ID14	EXD_ID13	EXD_ID12	EXD_ID11	EXD_ID10	EXD_ID9	EXD_ID8		
H'F850	MC6[1]	—	—	—	—	DLC3	DLC2	DLC1	DLC0		
H'F851	MC6[2]	—	—	—	—	—	—	—	—		
H'F852	MC6[3]	—	—	—	—	—	—	—	—		
H'F853	MC6[4]	—	—	—	—	—	—	—	—		
H'F854	MC6[5]	STD_ID2	STD_ID1	STD_ID0	RTR	IDE	—	EXD_ID17	EXD_ID16		
H'F855	MC6[6]	STD_ID10	STD_ID9	STD_ID8	STD_ID7	STD_ID6	STD_ID5	STD_ID4	STD_ID3		
H'F856	MC6[7]	EXD_ID7	EXD_ID6	EXD_ID5	EXD_ID4	EXD_ID3	EXD_ID2	EXD_ID1	EXD_ID0		
H'F857	MC6[8]	EXD_ID15	EXD_ID14	EXD_ID13	EXD_ID12	EXD_ID11	EXD_ID10	EXD_ID9	EXD_ID8		
H'F858	MC7[1]	—	—	—	—	DLC3	DLC2	DLC1	DLC0		
H'F859	MC7[2]	—	—	—	—	—	—	—	—		
H'F85A	MC7[3]	—	—	—	—	—	—	—	—		
H'F85B	MC7[4]	—	—	—	—	—	—	—	—		
H'F85C	MC7[5]	STD_ID2	STD_ID1	STD_ID0	RTR	IDE	—	EXD_ID17	EXD_ID16		
H'F85D	MC7[6]	STD_ID10	STD_ID9	STD_ID8	STD_ID7	STD_ID6	STD_ID5	STD_ID4	STD_ID3		
H'F85E	MC7[7]	EXD_ID7	EXD_ID6	EXD_ID5	EXD_ID4	EXD_ID3	EXD_ID2	EXD_ID1	EXD_ID0		



Address	Register									Module Name	Data Bus Width
	Name	Bit 7	Bit 6	Bit 5	Bit 4	Bit 3	Bit 2	Bit 1	Bit 0		
HF85F	MC7[8]	EXD_ID15	EXD_ID14	EXD_ID13	EXD_ID12	EXD_ID11	EXD_ID10	EXD_ID9	EXD_ID8	HCAN	8, 16
HF860	MC8[1]	—	—	—	—	DLC3	DLC2	DLC1	DLC0		
HF861	MC8[2]	—	—	—	—	—	—	—	—		
HF862	MC8[3]	—	—	—	—	—	—	—	—		
HF863	MC8[4]	—	—	—	—	—	—	—	—		
HF864	MC8[5]	STD_ID2	STD_ID1	STD_ID0	RTR	IDE	—	EXD_ID17	EXD_ID16		
HF865	MC8[6]	STD_ID10	STD_ID9	STD_ID8	STD_ID7	STD_ID6	STD_ID5	STD_ID4	STD_ID3		
HF866	MC8[7]	EXD_ID7	EXD_ID6	EXD_ID5	EXD_ID4	EXD_ID3	EXD_ID2	EXD_ID1	EXD_ID0		
HF867	MC8[8]	EXD_ID15	EXD_ID14	EXD_ID13	EXD_ID12	EXD_ID11	EXD_ID10	EXD_ID9	EXD_ID8		
HF868	MC9[1]	—	—	—	—	DLC3	DLC2	DLC1	DLC0		
HF869	MC9[2]	—	—	—	—	—	—	—	—		
HF86A	MC9[3]	—	—	—	—	—	—	—	—		
HF86B	MC9[4]	—	—	—	—	—	—	—	—		
HF86C	MC9[5]	STD_ID2	STD_ID1	STD_ID0	RTR	IDE	—	EXD_ID17	EXD_ID16		
HF86D	MC9[6]	STD_ID10	STD_ID9	STD_ID8	STD_ID7	STD_ID6	STD_ID5	STD_ID4	STD_ID3		
HF86E	MC9[7]	EXD_ID7	EXD_ID6	EXD_ID5	EXD_ID4	EXD_ID3	EXD_ID2	EXD_ID1	EXD_ID0		
HF86F	MC9[8]	EXD_ID15	EXD_ID14	EXD_ID13	EXD_ID12	EXD_ID11	EXD_ID10	EXD_ID9	EXD_ID8		
HF870	MC10[1]	—	—	—	—	DLC3	DLC2	DLC1	DLC0		
HF871	MC10[2]	—	—	—	—	—	—	—	—		
HF872	MC10[3]	—	—	—	—	—	—	—	—		
HF873	MC10[4]	—	—	—	—	—	—	—	—		
HF874	MC10[5]	STD_ID2	STD_ID1	STD_ID0	RTR	IDE	—	EXD_ID17	EXD_ID16		
HF875	MC10[6]	STD_ID10	STD_ID9	STD_ID8	STD_ID7	STD_ID6	STD_ID5	STD_ID4	STD_ID3		
HF876	MC10[7]	EXD_ID7	EXD_ID6	EXD_ID5	EXD_ID4	EXD_ID3	EXD_ID2	EXD_ID1	EXD_ID0		
HF877	MC10[8]	EXD_ID15	EXD_ID14	EXD_ID13	EXD_ID12	EXD_ID11	EXD_ID10	EXD_ID9	EXD_ID8		
HF878	MC11[1]	—	—	—	—	DLC3	DLC2	DLC1	DLC0		
HF879	MC11[2]	—	—	—	—	—	—	—	—		
HF87A	MC11[3]	—	—	—	—	—	—	—	—		
HF87B	MC11[4]	—	—	—	—	—	—	—	—		
HF87C	MC11[5]	STD_ID2	STD_ID1	STD_ID0	RTR	IDE	—	EXD_ID17	EXD_ID16		
HF87D	MC11[6]	STD_ID10	STD_ID9	STD_ID8	STD_ID7	STD_ID6	STD_ID5	STD_ID4	STD_ID3		
HF87E	MC11[7]	EXD_ID7	EXD_ID6	EXD_ID5	EXD_ID4	EXD_ID3	EXD_ID2	EXD_ID1	EXD_ID0		
HF87F	MC11[8]	EXD_ID15	EXD_ID14	EXD_ID13	EXD_ID12	EXD_ID11	EXD_ID10	EXD_ID9	EXD_ID8		
HF880	MC12[1]	—	—	—	—	DLC3	DLC2	DLC1	DLC0		
HF881	MC12[2]	—	—	—	—	—	—	—	—		
HF882	MC12[3]	—	—	—	—	—	—	—	—		
HF883	MC12[4]	—	—	—	—	—	—	—	—		

Address	Register									Module Name	Data Bus Width
	Name	Bit 7	Bit 6	Bit 5	Bit 4	Bit 3	Bit 2	Bit 1	Bit 0		
H'F884	MC12[5]	STD_ID2	STD_ID1	STD_ID0	RTR	IDE	—	EXD_ID17	EXD_ID16	HCAN	8, 16
H'F885	MC12[6]	STD_ID10	STD_ID9	STD_ID8	STD_ID7	STD_ID6	STD_ID5	STD_ID4	STD_ID3		
H'F886	MC12[7]	EXD_ID7	EXD_ID6	EXD_ID5	EXD_ID4	EXD_ID3	EXD_ID2	EXD_ID1	EXD_ID0		
H'F887	MC12[8]	EXD_ID15	EXD_ID14	EXD_ID13	EXD_ID12	EXD_ID11	EXD_ID10	EXD_ID9	EXD_ID8		
H'F888	MC13[1]	—	—	—	—	DLC3	DLC2	DLC1	DLC0		
H'F889	MC13[2]	—	—	—	—	—	—	—	—		
H'F88A	MC13[3]	—	—	—	—	—	—	—	—		
H'F88B	MC13[4]	—	—	—	—	—	—	—	—		
H'F88C	MC13[5]	STD_ID2	STD_ID1	STD_ID0	RTR	IDE	—	EXD_ID17	EXD_ID16		
H'F88D	MC13[6]	STD_ID10	STD_ID9	STD_ID8	STD_ID7	STD_ID6	STD_ID5	STD_ID4	STD_ID3		
H'F88E	MC13[7]	EXD_ID7	EXD_ID6	EXD_ID5	EXD_ID4	EXD_ID3	EXD_ID2	EXD_ID1	EXD_ID0		
H'F88F	MC13[8]	EXD_ID15	EXD_ID14	EXD_ID13	EXD_ID12	EXD_ID11	EXD_ID10	EXD_ID9	EXD_ID8		
H'F890	MC14[1]	—	—	—	—	DLC3	DLC2	DLC1	DLC0		
H'F891	MC14[2]	—	—	—	—	—	—	—	—		
H'F892	MC14[3]	—	—	—	—	—	—	—	—		
H'F893	MC14[4]	—	—	—	—	—	—	—	—		
H'F894	MC14[5]	STD_ID2	STD_ID1	STD_ID0	RTR	IDE	—	EXD_ID17	EXD_ID16		
H'F895	MC14[6]	STD_ID10	STD_ID9	STD_ID8	STD_ID7	STD_ID6	STD_ID5	STD_ID4	STD_ID3		
H'F896	MC14[7]	EXD_ID7	EXD_ID6	EXD_ID5	EXD_ID4	EXD_ID3	EXD_ID2	EXD_ID1	EXD_ID0		
H'F897	MC14[8]	EXD_ID15	EXD_ID14	EXD_ID13	EXD_ID12	EXD_ID11	EXD_ID10	EXD_ID9	EXD_ID8		
H'F898	MC15[1]	—	—	—	—	DLC3	DLC2	DLC1	DLC0		
H'F899	MC15[2]	—	—	—	—	—	—	—	—		
H'F89A	MC15[3]	—	—	—	—	—	—	—	—		
H'F89B	MC15[4]	—	—	—	—	—	—	—	—		
H'F89C	MC15[5]	STD_ID2	STD_ID1	STD_ID0	RTR	IDE	—	EXD_ID17	EXD_ID16		
H'F89D	MC15[6]	STD_ID10	STD_ID9	STD_ID8	STD_ID7	STD_ID6	STD_ID5	STD_ID4	STD_ID3		
H'F89E	MC15[7]	EXD_ID7	EXD_ID6	EXD_ID5	EXD_ID4	EXD_ID3	EXD_ID2	EXD_ID1	EXD_ID0		
H'F89F	MC15[8]	EXD_ID15	EXD_ID14	EXD_ID13	EXD_ID12	EXD_ID11	EXD_ID10	EXD_ID9	EXD_ID8		
H'F8B0	MD0[1]										
H'F8B1	MD0[2]										
H'F8B2	MD0[3]										
H'F8B3	MD0[4]										
H'F8B4	MD0[5]										
H'F8B5	MD0[6]										
H'F8B6	MD0[7]										
H'F8B7	MD0[8]										
H'F8B8	MD1[1]										

Address	Register										Module Name	Data Bus Width
	Name	Bit 7	Bit 6	Bit 5	Bit 4	Bit 3	Bit 2	Bit 1	Bit 0			
HF8B9	MD1[2]										HCAN	8, 16
HF8BA	MD1[3]											
HF8BB	MD1[4]											
HF8BC	MD1[5]											
HF8BD	MD1[6]											
HF8BE	MD1[7]											
HF8BF	MD1[8]											
HF8C0	MD2[1]											
HF8C1	MD2[2]											
HF8C2	MD2[3]											
HF8C3	MD2[4]											
HF8C4	MD2[5]											
HF8C5	MD2[6]											
HF8C6	MD2[7]											
HF8C7	MD2[8]											
HF8C8	MD3[1]											
HF8C9	MD3[2]											
HF8CA	MD3[3]											
HF8CB	MD3[4]											
HF8CC	MD3[5]											
HF8CD	MD3[6]											
HF8CE	MD3[7]											
HF8CF	MD3[8]											
HF8D0	MD4[1]											
HF8D1	MD4[2]											
HF8D2	MD4[3]											
HF8D3	MD4[4]											
HF8D4	MD4[5]											
HF8D5	MD4[6]											
HF8D6	MD4[7]											
HF8D7	MD4[8]											
HF8D8	MD5[1]											
HF8D9	MD5[2]											
HF8DA	MD5[3]											
HF8DB	MD5[4]											
HF8DC	MD5[5]											
HF8DD	MD5[6]											

Address	Register										Module Name	Data Bus Width
	Name	Bit 7	Bit 6	Bit 5	Bit 4	Bit 3	Bit 2	Bit 1	Bit 0			
H'F8DE	MD5[7]										HCAN	8, 16
H'F8DF	MD5[8]											
H'F8E0	MD6[1]											
H'F8E1	MD6[2]											
H'F8E2	MD6[3]											
H'F8E3	MD6[4]											
H'F8E4	MD6[5]											
H'F8E5	MD6[6]											
H'F8E6	MD6[7]											
H'F8E7	MD6[8]											
H'F8E8	MD7[1]											
H'F8E9	MD7[2]											
H'F8EA	MD7[3]											
H'F8EB	MD7[4]											
H'F8EC	MD7[5]											
H'F8ED	MD7[6]											
H'F8EE	MD7[7]											
H'F8EF	MD7[8]											
H'F8F0	MD8[1]											
H'F8F1	MD8[2]											
H'F8F2	MD8[3]											
H'F8F3	MD8[4]											
H'F8F4	MD8[5]											
H'F8F5	MD8[6]											
H'F8F6	MD8[7]											
H'F8F7	MD8[8]											
H'F8F8	MD9[1]											
H'F8F9	MD9[2]											
H'F8FA	MD9[3]											
H'F8FB	MD9[4]											
H'F8FC	MD9[5]											
H'F8FD	MD9[6]											
H'F8FE	MD9[7]											
H'F8FF	MD9[8]											
H'F900	MD10[1]											
H'F901	MD10[2]											
H'F902	MD10[3]											

Address	Register										Module Name	Data Bus Width	
	Name	Bit 7	Bit 6	Bit 5	Bit 4	Bit 3	Bit 2	Bit 1	Bit 0				
HF903	MD10[4]											HCAN	8, 16
HF904	MD10[5]												
HF905	MD10[6]												
HF906	MD10[7]												
HF907	MD10[8]												
HF908	MD11[1]												
HF909	MD11[2]												
HF90A	MD11[3]												
HF90B	MD11[4]												
HF90C	MD11[5]												
HF90D	MD11[6]												
HF90E	MD11[7]												
HF90F	MD11[8]												
HF910	MD12[1]												
HF911	MD12[2]												
HF912	MD12[3]												
HF913	MD12[4]												
HF914	MD12[5]												
HF915	MD12[6]												
HF916	MD12[7]												
HF917	MD12[8]												
HF918	MD13[1]												
HF919	MD13[2]												
HF91A	MD13[3]												
HF91B	MD13[4]												
HF91C	MD13[5]												
HF91D	MD13[6]												
HF91E	MD13[7]												
HF91F	MD13[8]												
HF920	MD14[1]												
HF921	MD14[2]												
HF922	MD14[3]												
HF923	MD14[4]												
HF924	MD14[5]												
HF925	MD14[6]												
HF926	MD14[7]												
HF927	MD14[8]												
HF928	MD15[1]												

Address	Register Name	Bit 7	Bit 6	Bit 5	Bit 4	Bit 3	Bit 2	Bit 1	Bit 0	Module Name	Data Bus Width
H'F929	MD15[2]									HCAN	8, 16
H'F92A	MD15[3]										
H'F92B	MD15[4]										
H'F92C	MD15[5]										
H'F92D	MD15[6]										
H'F92E	MD15[7]										
H'F92F	MD15[8]										
H'FDAC	DADR3* <sup>6</sup>	Bit 7	Bit 6	Bit 5	Bit 4	Bit 3	Bit 2	Bit 1	Bit 0		
H'FDAD	DADR3* <sup>6</sup>	Bit 7	Bit 6	Bit 5	Bit 4	Bit 3	Bit 2	Bit 1	Bit 0		
H'FDAE	DACR23* <sup>6</sup>	DAOE1	DAOE0	DAE	—	—	—	—	—		
H'FDB4	SCRX	—	—	—	—	FLSHE	—	—	—	ROM	8
H'FDE4	SBYCR	SSBY	STS2	STS1	STS0	OPE	—	—	—	Power-down state	8
H'FDE5	SYSCR	MACS	—	INTM1	INTM0	NMIEG	—	—	RAME	MCU, RAM interrupt controller	8
H'FDE6	SCKCR	PSTOP	—	—	—	STCS	SCK2	SCK1	SCK0	Clock pulse generator, power-down state	8
H'FDE7	MDCR	—	—	—	—	—	MDS2	MDS1	MDS0	MCU	8
H'FDE8	MSTPCRA	MSTPA7	MSTPA6	MSTPA5	MSTPA4	MSTPA3	MSTPA2	MSTPA1	MSTPA0	Power-down state	8
H'FDE9	MSTPCRB	MSTPB7	MSTPB6	MSTPB5	MSTPB4	MSTPB3	MSTPB2	MSTPB1	MSTPB0		
H'FDEA	MSTPCRC	MSTPC7	MSTPC6	MSTPC5	MSTPC4	MSTPC3	MSTPC2	MSTPC1	MSTPC0		
H'FDEB	PFRC	—	—	BUZZE* <sup>4</sup>	—	AE3	AE2	AE1	AE0	MCU, bus controller	8
H'FDEC	LPWRRCR	DTON* <sup>4</sup>	LSON* <sup>4</sup>	NESEL* <sup>4</sup>	SUBSTP* <sup>4</sup>	RFCUT	—	STC1	STC0	Clock pulse generator	8
H'FE00	BARA	—	—	—	—	—	—	—	—	PC break controller	8
		BAA23	BAA22	BAA21	BAA20	BAA19	BAA18	BAA17	BAA16		
		BAA15	BAA14	BAA13	BAA12	BAA11	BAA10	BAA9	BAA8		
		BAA7	BAA6	BAA5	BAA4	BAA3	BAA2	BAA1	BAA0		
H'FE04	BARB	—	—	—	—	—	—	—	—		
		BAA23	BAA22	BAA21	BAA20	BAA19	BAA18	BAA17	BAA16		
		BAA15	BAA14	BAA13	BAA12	BAA11	BAA10	BAA9	BAA8		
		BAA7	BAA6	BAA5	BAA4	BAA3	BAA2	BAA1	BAA0		
H'FE08	BCRA	CMFA	CDA	BAMRA2	BAMRA1	BAMRA0	CSELA1	CSELA0	BIEA		
H'FE09	BCRB	CMFB	CDB	BAMRB2	BAMRB1	BAMRA0	CSELB1	CSELB0	BIEB		

Address	Register										Module Name	Data Bus Width	
	Name	Bit 7	Bit 6	Bit 5	Bit 4	Bit 3	Bit 2	Bit 1	Bit 0				
HFE12	ISCRH	—	—	—	—	IRQ5SCB	IRQ5SCA	IRQ4SCB	IRQ4SCA	Interrupt controller	8		
HFE13	ISCR L	IRQ3SCB	IRQ3SCA	IRQ2SCB	IRQ2SCA	IRQ1SCB	IRQ1SCA	IRQ0SCB	IRQ0SCA				
HFE14	IER	—	—	IRQ5E	IRQ4E	IRQ3E	IRQ2E	IRQ1E	IRQ0E				
HFE15	ISR	—	—	IRQ5F	IRQ4F	IRQ3F	IRQ2F	IRQ1F	IRQ0F				
HFE16	DTCEA	DTCEA7	DTCEA6	DTCEA5	DTCEA4	DTCEA3	DTCEA2	DTCEA1	DTCEA0	DTC	8		
HFE17	DTCEB	DTCEB7	DTCEB6	DTCEB5	DTCEB4	DTCEB3	DTCEB2	DTCEB1	DTCEB0				
HFE18	DTCEC	DTCEC7	DTCEC6	DTCEC5	DTCEC4	DTCEC3	DTCEC2	DTCEC1	DTCEC0				
HFE19	DTCED	DTCED7	DTCED6	DTCED5	DTCED4	DTCED3	DTCED2	DTCED1	DTCED0				
HFE1A	DTCEE	DTCEE7	DTCEE6	DTCEE5	DTCEE4	DTCEE3	DTCEE2	DTCEE1	DTCEE0				
HFE1B	DTCEF	DTCEF7	DTCEF6	DTCEF5	DTCEF4	DTCEF3	DTCEF2	DTCEF1	DTCEF0				
HFE1C	DTCEG	DTCEG7	DTCEG6	DTCEG5	DTCEG4	DTCEG3	DTCEG2	DTCEG1	DTCEG0				
HFE1F	DTVEC	SWDTE	DTVEC6	DTVEC5	DTVEC4	DTVEC3	DTVEC2	DTVEC1	DTVEC0				
HFE26	PCR	G3CMS1	G3CMS0	G2CMS1	G2CMS0	G1CMS1	G1CMS0	G0CMS1	G0CMS0			PPG	8
HFE27	PMR	G3INV	G2INV	G1INV	G0INV	G3NOV	G2NOV	G1NOV	G0NOV				
HFE28	NDERH	NDER15	NDER14	NDER13	NDER12	NDER11	NDER10	NDER9	NDER8				
HFE29	NDERL	NDER7	NDER6	NDER5	NDER4	NDER3	NDER2	NDER1	NDER0				
HFE2A	PODRH	POD15	POD14	POD13	POD12	POD11	POD10	POD9	POD8				
HFE2B	PODRL	POD7	POD6	POD5	POD4	POD3	POD2	POD1	POD0				
HFE2C	NDRH <sup>*2</sup>	NDR15	NDR14	NDR13	NDR12	NDR11	NDR10	NDR9	NDR8				
HFE2D	NDRL <sup>*2</sup>	NDR7	NDR6	NDR5	NDR4	NDR3	NDR2	NDR1	NDR0				
HFE2E	NDRH <sup>*2</sup>	—	—	—	—	NDR11	NDR10	NDR9	NDR8				
HFE2F	NDRL <sup>*2</sup>	—	—	—	—	NDR3	NDR2	NDR1	NDR0				
HFE30	P1DDR	P17DDR	P16DDR	P15DDR	P14DDR	P13DDR	P12DDR	P11DDR	P10DDR	I/O port	8		
HFE39	PADDR	—	—	PA5DDR <sup>*5</sup>	PA4DDR <sup>*5</sup>	PA3DDR	PA2DDR	PA1DDR	PA0DDR				
HFE3A	PBDDR	PB7DDR	PB6DDR	PB5DDR	PB4DDR	PB3DDR	PB2DDR	PB1DDR	PB0DDR				
HFE3B	PCDDR	PC7DDR	PC6DDR	PC5DDR	PC4DDR	PC3DDR	PC2DDR	PC1DDR	PC0DDR				
HFE3C	PDDDR	PD7DDR	PD6DDR	PD5DDR	PD4DDR	PD3DDR	PD2DDR	PD1DDR	PD0DDR				
HFE3D	PEDDR	PE7DDR	PE6DDR	PE5DDR	PE4DDR	PE3DDR	PE2DDR	PE1DDR	PE0DDR				
HFE3E	PFDDR	PF7DDR	PF6DDR	PF5DDR	PF4DDR	PF3DDR	PF2DDR	PF1DDR	PF0DDR				
HFE40	PAPCR	—	—	PA5PCR <sup>*5</sup>	PA4PCR <sup>*5</sup>	PA3PCR	PA2PCR	PA1PCR	PA0PCR				
HFE41	PBPCR	PB7PCR	PB6PCR	PB5PCR	PB4PCR	PB3PCR	PB2PCR	PB1PCR	PB0PCR				
HFE42	PCPCR	PC7PCR	PC6PCR	PC5PCR	PC4PCR	PC3PCR	PC2PCR	PC1PCR	PC0PCR				
HFE43	PDPCR	PD7PCR	PD6PCR	PD5PCR	PD4PCR	PD3PCR	PD2PCR	PD1PCR	PD0PCR				
HFE44	PEPCR	PE7PCR	PE6PCR	PE5PCR	PE4PCR	PE3PCR	PE2PCR	PE1PCR	PE0PCR				
HFE47	PAODR	—	—	PA5ODR <sup>*5</sup>	PA4ODR <sup>*5</sup>	PA3ODR	PA2ODR	PA1ODR	PA0ODR				
HFE48	PBODR	PB7ODR	PB6ODR	PB5ODR	PB4ODR	PB3ODR	PB2ODR	PB1ODR	PB0ODR				
HFE49	PCODR	PC7ODR	PC6ODR	PC5ODR	PC4ODR	PC3ODR	PC2ODR	PC1ODR	PC0ODR				

Address	Register									Module Name	Data Bus Width
	Name	Bit 7	Bit 6	Bit 5	Bit 4	Bit 3	Bit 2	Bit 1	Bit 0		
H'FE80	TCR3	CCLR2	CCLR1	CCLR0	CKEG1	CKEG0	TPSC2	TPSC1	TPSC0	TPU3	16
H'FE81	TMDR3	—	—	BFB	BFA	MD3	MD2	MD1	MD0		
H'FE82	TIOR3H	IOB3	IOB2	IOB1	IOB0	IOA3	IOA2	IOA1	IOA0		
H'FE83	TIOR3L	IOD3	IOD2	IOD1	IOD0	IOC3	IOC2	IOC1	IOC0		
H'FE84	TIER3	TTGE	—	—	TCIEV	TGIED	TGIEC	TGIEB	TGIEA		
H'FE85	TSR3	—	—	—	TCFV	TGFD	TGFC	TGFB	TGFA		
H'FE86	TCNT3										
H'FE87											
H'FE88	TGR3A										
H'FE89											
H'FE8A	TGR3B										
H'FE8B											
H'FE8C	TGR3C										
H'FE8D											
H'FE8E	TGR3D										
H'FE8F											
H'FE90	TCR4	—	CCLR1	CCLR0	CKEG1	CKEG0	TPSC2	TPSC1	TPSC0	TPU4	16
H'FE91	TMDR4	—	—	—	—	MD3	MD2	MD1	MD0		
H'FE92	TIOR4	IOB3	IOB2	IOB1	IOB0	IOA3	IOA2	IOA1	IOA0		
H'FE94	TIER4	TTGE	—	TCIEU	TCIEV	—	—	TGIEB	TGIEA		
H'FE95	TSR4	TCFD	—	TCFU	TCFV	—	—	TGFB	TGFA		
H'FE96	TCNT4										
H'FE97											
H'FE98	TGR4A										
H'FE99											
H'FE9A	TGR4B										
H'FE9B											
H'FEA0	TCR5	—	CCLR1	CCLR0	CKEG1	CKEG0	TPSC2	TPSC1	TPSC0	TPU5	16
H'FEA1	TMDR5	—	—	—	—	MD3	MD2	MD1	MD0		
H'FEA2	TIOR5	IOB3	IOB2	IOB1	IOB0	IOA3	IOA2	IOA1	IOA0		
H'FEA4	TIER5	TTGE	—	TCIEU	TCIEV	—	—	TGIEB	TGIEA		
H'FEA5	TSR5	TCFD	—	TCFU	TCFV	—	—	TGFB	TGFA		
H'FEA6	TCNT5										
H'FEA7											
H'FEA8	TGR5A										
H'FEA9											
H'FEAA	TGR5B										
H'FEAB											



Address	Register									Module Name	Data Bus Width
	Name	Bit 7	Bit 6	Bit 5	Bit 4	Bit 3	Bit 2	Bit 1	Bit 0		
HFEB0	TSTR	—	—	CST5	CST4	CST3	CST2	CST1	CST0	TPU All	16
HFEB1	TSYR	—	—	SYNC5	SYNC4	SYNC3	SYNC2	SYNC1	SYNC0		
HFEC0	IPRA	—	IPR6	IPR5	IPR4	—	IPR2	IPR1	IPR0	Interrupt controller	8
HFEC1	IPRB	—	IPR6	IPR5	IPR4	—	IPR2	IPR1	IPR0		
HFEC2	IPRC	—	IPR6	IPR5	IPR4	—	IPR2	IPR1	IPR0		
HFEC3	IPRD	—	IPR6	IPR5	IPR4	—	IPR2	IPR1	IPR0		
HFEC4	IPRE	—	IPR6	IPR5	IPR4	—	IPR2	IPR1	IPR0		
HFEC5	IPRF	—	IPR6	IPR5	IPR4	—	IPR2	IPR1	IPR0		
HFEC6	IPRG	—	IPR6	IPR5	IPR4	—	IPR2	IPR1	IPR0		
HFEC7	IPRH	—	IPR6	IPR5	IPR4	—	IPR2	IPR1	IPR0		
HFEC8	IPRI	—	IPR6	IPR5	IPR4	—	IPR2	IPR1	IPR0		
HFEC9	IPRJ	—	IPR6	IPR5	IPR4	—	IPR2	IPR1	IPR0		
HFECA	IPRK	—	IPR6	IPR5	IPR4	—	IPR2	IPR1	IPR0		
HFECB	IPRM	—	IPR6	IPR5	IPR4	—	IPR2	IPR1	IPR0		
HFED0	ABWCR	ABW7	ABW6	ABW5	ABW4	ABW3	ABW2	ABW1	ABW0	Bus controller	8
HFED1	ASTCR	AST7	AST6	AST5	AST4	AST3	AST2	AST1	AST0		
HFED2	WCRH	W71	W70	W61	W60	W51	W50	W41	W40		
HFED3	WCRL	W31	W30	W21	W20	W11	W10	W01	W00		
HFED4	BCRH	ICIS1	ICIS0	BRSTRM	BRSTS1	BRSTS0	—	—	—		
HFED5	BCRL	BRLE	BREQOE	—	—	—	—	WDBE	WAITE		
HFEDB	RAMER* <sup>3</sup>	—	—	—	—	RAMS	RAM2	RAM1	RAM0	ROM	
HFF00	P1DR	P17DR	P16DR	P15DR	P14DR	P13DR	P12DR	P11DR	P10DR	I/O port	8
HFF09	PADR	—	—	PA5DR* <sup>5</sup>	PA4DR* <sup>5</sup>	PA3DR	PA2DR	PA1DR	PA0DR		
HFF0A	PBDR	PB7DR	PB6DR	PB5DR	PB4DR	PB3DR	PB2DR	PB1DR	PB0DR		
HFF0B	PCDR	PC7DR	PC6DR	PC5DR	PC4DR	PC3DR	PC2DR	PC1DR	PC0DR		
HFF0C	PDDR	PD7DR	PD6DR	PD5DR	PD4DR	PD3DR	PD2DR	PD1DR	PD0DR		
HFF0D	PEDR	PE7DR	PE6DR	PE5DR	PE4DR	PE3DR	PE2DR	PE1DR	PE0DR		
HFF0E	PFDR	PF7DR	PF6DR	PF5DR	PF4DR	PF3DR	PF2DR	PF1DR	PF0DR		
HFF10	TCR0	CCLR2	CCLR1	CCLR0	CKEG1	CKEG0	TPSC2	TPSC1	TPSC0	TPU0	16
HFF11	TMDR0	—	—	BFB	BFA	MD3	MD2	MD1	MD0		
HFF12	TIOR0H	IOB3	IOB2	IOB1	IOB0	IOA3	IOA2	IOA1	IOA0		
HFF13	TIOR0L	IOD3	IOD2	IOD1	IOD0	IOC3	IOC2	IOC1	IOC0		
HFF14	TIER0	TTGE	—	—	TCIEV	TGIED	TGIEC	TGIEB	TGIEA		
HFF15	TSR0	—	—	—	TCFV	TGFD	TGFC	TGFB	TGFA		
HFF16	TCNT0										
HFF17											

Address	Register Name	Bit 7	Bit 6	Bit 5	Bit 4	Bit 3	Bit 2	Bit 1	Bit 0	Module Name	Data Bus Width
H'FF18	TGR0A									TPU0	16
H'FF19											
H'FF1A	TGR0B										
H'FF1B											
H'FF1C	TGR0C										
H'FF1D											
H'FF1E	TGR0D										
H'FF1F											
H'FF20	TCR1	—	CCLR1	CCLR0	CKEG1	CKEG0	TPSC2	TPSC1	TPSC0	TPU1	16
H'FF21	TMDR1	—	—	—	—	MD3	MD2	MD1	MD0		
H'FF22	TIOR1	IOB3	IOB2	IOB1	IOB0	IOA3	IOA2	IOA1	IOA0		
H'FF24	TIER1	TTGE	—	TCIEU	TCIEV	—	—	TGIEB	TGIEA		
H'FF25	TSR1	TCFD	—	TCFU	TCFV	—	—	TGFB	TGFA		
H'FF26	TCNT1										
H'FF27											
H'FF28	TGR1A										
H'FF29											
H'FF2A	TGR1B										
H'FF2B											
H'FF30	TCR2	—	CCLR1	CCLR0	CKEG1	CKEG0	TPSC2	TPSC1	TPSC0	TPU2	16
H'FF31	TMDR2	—	—	—	—	MD3	MD2	MD1	MD0		
H'FF32	TIOR2	IOB3	IOB2	IOB1	IOB0	IOA3	IOA2	IOA1	IOA0		
H'FF34	TIER2	TTGE	—	TCIEU	TCIEV	—	—	TGIEB	TGIEA		
H'FF35	TSR2	TCFD	—	TCFU	TCFV	—	—	TGFB	TGFA		
H'FF36	TCNT2										
H'FF37											
H'FF38	TGR2A										
H'FF39											
H'FF3A	TGR2B										
H'FF3B											
H'FF74 (Write)	TCSR0 TCNT0	OVF	WT/IT	TME	—	—	CKS2	CKS1	CKS0	WDT0	16
H'FF75 (Read)	TCNT0										
H'FF76 (Write)	RSTCSR	WOVF	RSTE	RSTS	—	—	—	—	—		
H'FF77 (Read)	RSTCSR	WOVF	RSTE	RSTS	—	—	—	—	—		

Address	Register									Module Name	Data Bus Width
	Name	Bit 7	Bit 6	Bit 5	Bit 4	Bit 3	Bit 2	Bit 1	Bit 0		
H'FF78	SMR0	C/ $\bar{A}$	CHR	PE	O/ $\bar{E}$	STOP	MP	CKS1	CKS0	SCI0	8
		GM	BLK	PE	O/ $\bar{E}$	BCP1	BCP0	CKS1	CKS0	Smart card interface 0	
H'FF79	BRR0									SCI0, smart card interface 0	
H'FF7A	SCR0	TIE	RIE	TE	RE	MPIE	TEIE	CKE1	CKE0		
H'FF7B	TDR0										
H'FF7C	SSR0	TDRE	RDRF	ORER	FER	PER	TEND	MPB	MPBT	SCI0	
		TDRE	RDRF	ORER	ERS	PER	TEND	MPB	MPBT	Smart card interface 0	
H'FF7D	RDR0									SCI0, smart card interface 0	
H'FF7E	SCMR0	—	—	—	—	SDIR	SINV	—	SMIF		
H'FF80	SMR1	C/ $\bar{A}$	CHR	PE	O/ $\bar{E}$	STOP	MP	CKS1	CKS0	SCI1	8
		GM	BLK	PE	O/ $\bar{E}$	BCP1	BCP0	CKS1	CKS0	Smart card interface 1	
H'FF81	BRR1									SCI1, smart card interface 1	
H'FF82	SCR1	TIE	RIE	TE	RE	MPIE	TEIE	CKE1	CKE0		
H'FF83	TDR1										
H'FF84	SSR1	TDRE	RDRF	ORER	FER	PER	TEND	MPB	MPBT	SCI1	
	SSR1	TDRE	RDRF	ORER	ERS	PER	TEND	MPB	MPBT	Smart card interface 1	
H'FF85	RDR1									SCI1, smart card interface 1	
H'FF86	SCMR1	—	—	—	—	SDIR	SINV	—	SMIF		
H'FF88	SMR2	C/ $\bar{A}$	CHR	PE	O/ $\bar{E}$	STOP	MP	CKS1	CKS0	SCI2	8
		GM	BLK	PE	O/ $\bar{E}$	BCP1	BCP0	CKS1	CKS0	Smart card interface 2	
H'FF89	BRR2									SCI2, smart card interface 2	
H'FF8A	SCR2	TIE	RIE	TE	RE	MPIE	TEIE	CKE1	CKE0		
H'FF8B	TDR2										
H'FF8C	SSR2	TDRE	RDRF	ORER	FER	PER	TEND	MPB	MPBT	SCI2	
	SSR2	TDRE	RDRF	ORER	ERS	PER	TEND	MPB	MPBT	Smart card interface 2	
H'FF8D	RDR2									SCI2, smart card interface 2	
H'FF8E	SCMR2	—	—	—	—	SDIR	SINV	—	SMIF		

Address	Register									Module Name	Data Bus Width
	Name	Bit 7	Bit 6	Bit 5	Bit 4	Bit 3	Bit 2	Bit 1	Bit 0		
H'FF90	ADDRA	AD9	AD8	AD7	AD6	AD5	AD4	AD3	AD2	A/D converter	16
H'FF91		AD1	AD0	—	—	—	—	—	—		
H'FF92	ADDRB	AD9	AD8	AD7	AD6	AD5	AD4	AD3	AD2		
H'FF93		AD1	AD0	—	—	—	—	—	—		
H'FF94	ADDRC	AD9	AD8	AD7	AD6	AD5	AD4	AD3	AD2		
H'FF95		AD1	AD0	—	—	—	—	—	—		
H'FF96	ADDRD	AD9	AD8	AD7	AD6	AD5	AD4	AD3	AD2		
H'FF97		AD1	AD0	—	—	—	—	—	—		
H'FF98	ADCSR	ADF	ADIE	ADST	SCAN	CH3	CH2	CH1	CH0		
H'FF99	ADCR	TRGS1	TRGS0	—	—	CKS1	CKS0	—	—		
H'FFA2 (Write)	TCSR1* <sup>6</sup>	OVF	WT/IT	TME	PSS	RST/NMI	CKS2	CKS1	CKS0	WDT1	16
H'FFA3 (Read)	TCNT1* <sup>6</sup>										
H'FFA8	FLMCR1* <sup>3</sup>	FWE	SWE1	ESU1	PSU1	EV1	PV1	E1	P1		
H'FFA9	FLMCR2* <sup>3</sup>	FLER	—	—	—	—	—	—	—		
H'FFAA	EBR1* <sup>3</sup>	EB7	EB6	EB5	EB4	EB3	EB2	EB1	EB0		
H'FFAB		EBR2* <sup>3</sup>	—	—	—	—	EB11	EB10	EB9	EB8	
H'FFAC	FLPWCR	PDWWD	—	—	—	—	—	—	—		
H'FFB0	PORT1	P17	P16	P15	P14	P13	P12	P11	P10	I/O port	8
H'FFB3	PORT4	P47	P46	P45	P44	P43	P42	P41	P40		
H'FFB8	PORT9	P97	P96	P95	P94	P93	P92	P91	P90		
H'FFB9	PORTA	—	—	PA5	PA4	PA3	PA2	PA1	PA0		
H'FFBA	PORTB	PB7	PB6	PB5	PB4	PB3	PB2	PB1	PB0		
H'FFBB	PORTC	PC7	PC6	PC5	PC4	PC3	PC2	PC1	PC0		
H'FFBC	PORTD	PD7	PD6	PD5	PD4	PD3	PD2	PD1	PD0		
H'FFBD	PORTE	PE7	PE6	PE5	PE4	PE3	PE2	PE1	PE0		
H'FFBE	PORTF	PF7	PF6	PF5	PF4	PF3	PF2	PF1	PF0		

Notes: \*1 Located in on-chip RAM. The bus width is 32 bits when the DTC accesses this area as register information, and 16 bits otherwise.

\*2 The address depends on the output trigger setting.

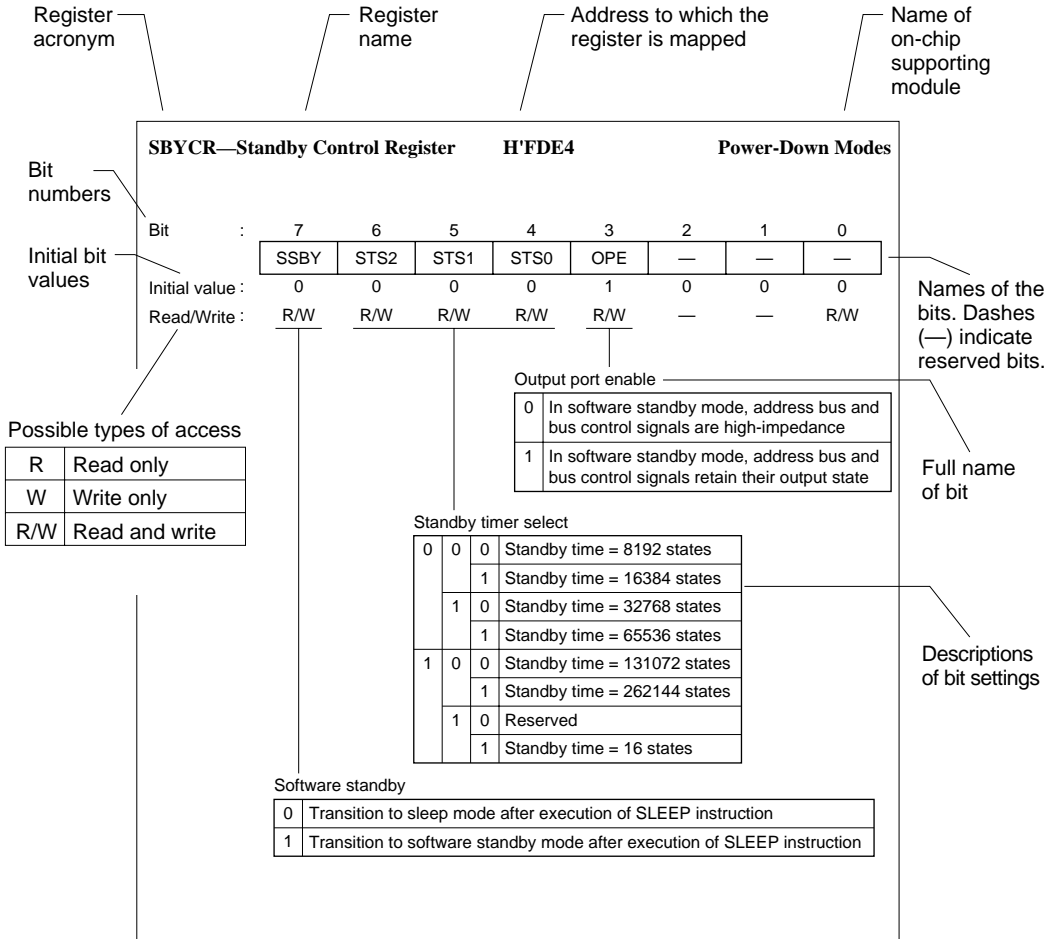
\*3 These registers are present in the F-ZTAT version, but not in the mask ROM version. An undefined value will be returned if these registers are read in the mask ROM version.

\*4 Valid only in the H8S/2626 Series; reserved bits in the H8S/2623 Series. For the handling of these bits in register writes, see the individual register descriptions the respective sections.

\*5 Valid only in the H8S/2623 Series; reserved bits in the H8S/2626 Series. For the handling of these bits in register writes, see the individual register descriptions the respective sections.

\*6 These registers are not available, and must not be accessed, in the H8S/2623 Series.

## B.2 Functions



Bit	:	7	6	5	4	3	2	1	0
		SM1	SM0	DM1	DM0	MD1	MD0	DTS	Sz

Initial value : Undefined Undefined Undefined Undefined Undefined Undefined Undefined Undefined

Read/Write : — — — — — — — —

DTC data transfer size

0	Byte-size transfer
1	Word-size transfer

DTC transfer mode select

0	Destination side is repeat area or block area
1	Source side is repeat area or block area

DTC mode

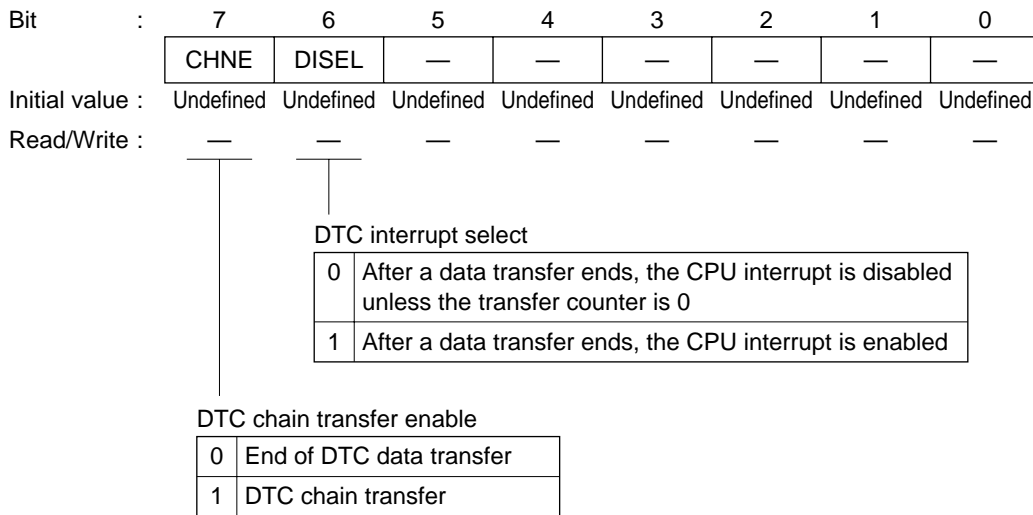
0	0	Normal mode
	1	Repeat mode
1	0	Block transfer mode
	1	—

Destination address mode

0	—	DAR is fixed
1	0	DAR is incremented after a transfer (by +1 when Sz = 0; by +2 when Sz = 1)
	1	DAR is decremented after a transfer (by –1 when Sz = 0; by –2 when Sz = 1)

Source address mode

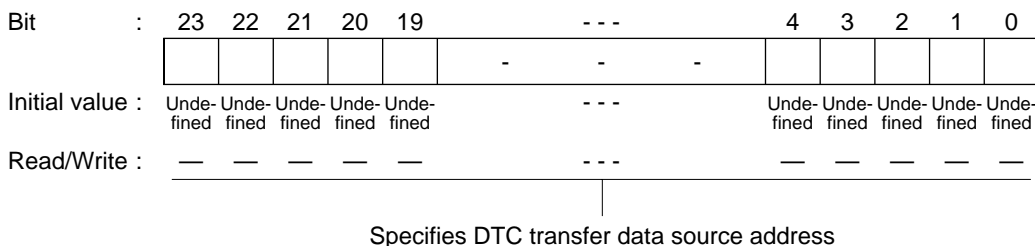
0	—	SAR is fixed
1	0	SAR is incremented after a transfer (by +1 when Sz = 0; by +2 when Sz = 1)
	1	SAR is decremented after a transfer (by –1 when Sz = 0; by –2 when Sz = 1)



## SAR—DTC Source Address Register

H'EBC0–H'EFBF

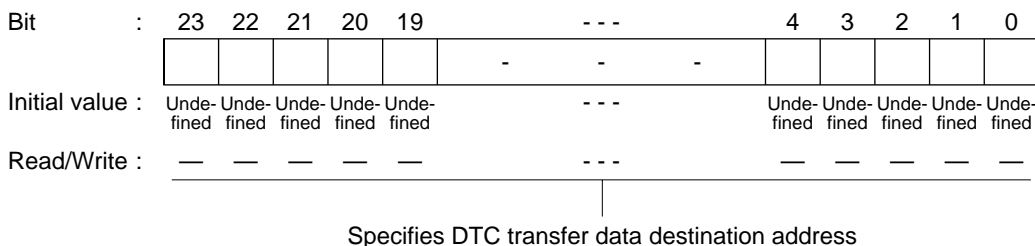
DTC

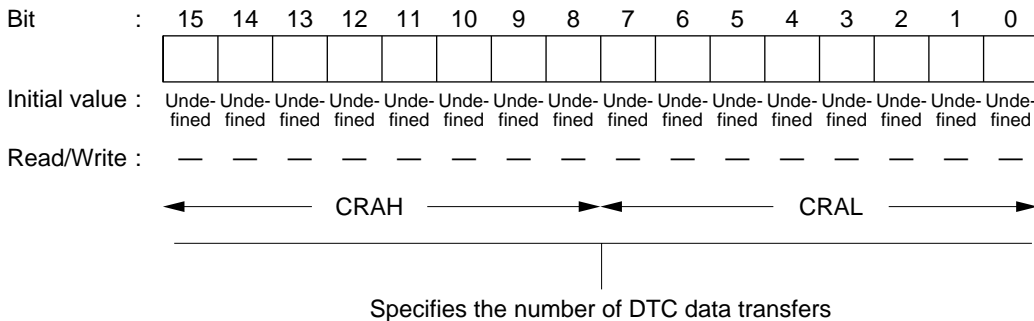
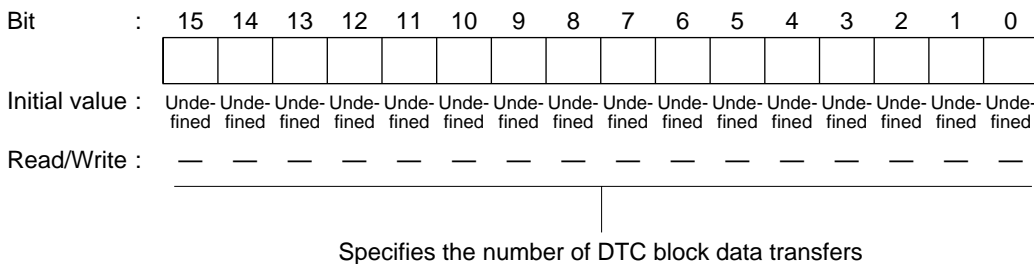


## DAR—DTC Destination Address Register

H'EBC0–H'EFBF

DTC



**CRA—DTC Transfer Count Register A****H'EBC0–H'EFBF****DTC****CRB—DTC Transfer Count Register B****H'EBC0–H'EFBF****DTC**



**MCR**

Bit	:	7	6	5	4	3	2	1	0
		MCR7	—	MCR5	—	—	MCR2	MCR1	MCR0
Initial value :		0	0	0	0	0	0	0	1
Read/Write :		R/W	R	R/W	R	R	R/W	R/W	R/W

## Reset request

0	Normal operating mode (MCR0 = 0 and GSR3 = 0) [Setting condition] When 0 is written after an HCAN reset
1	HCAN reset mode transition request

## Halt request

0	HCAN normal operating mode
1	HCAN halt mode transition request

## Message transmission method

0	Transmission order determined by message identifier priority
1	Transmission order determined by mailbox (buffer) number priority (TXPR1 > TXPR15)

## HCAN sleep mode

0	HCAN sleep mode released
1	Transition to HCAN sleep mode enabled

## HCAN sleep mode release

0	HCAN sleep mode release by CAN bus operation disabled
1	HCAN sleep mode release by CAN bus operation enabled

**GSR**

Bit	:	7	6	5	4	3	2	1	0
		—	—	—	—	GSR3	GSR2	GSR1	GSR0
Initial value :		0	0	0	0	1	1	0	0
Read/Write :		R	R	R	R	R	R	R	R

## Bus off flag

0	[Reset condition] Recovery from bus off state
1	When TEC $\geq$ 256 (bus off state)

## Transmit/receive warning flag

0	[Reset condition] When TEC < 96 and REC < 96 or TEC $\geq$ 256
1	When TEC $\geq$ 96 or REC $\geq$ 96

## Message transmission status flag

0	Message transmission period
1	[Reset condition] Idle period

## Reset status bit

0	Normal operating state [Setting condition] After an HCAN internal reset
1	Configuration mode [Reset condition] MCR0 reset mode and sleep mode

**BCR**

Bit	:	15	14	13	12	11	10	9	8
		BCR7	BCR6	BCR5	BCR4	BCR3	BCR2	BCR1	BCR0
Initial value	:	0	0	0	0	0	0	0	0
Read/Write	:	R/W	R/W	R/W	R/W	R/W	R/W	R/W	R/W

## Baud rate prescale

0	0	0	0	0	0	2 × system clock
0	0	0	0	0	1	4 × system clock
0	0	0	0	1	0	6 × system clock
:	:	:	:	:	:	:
1	1	1	1	1	1	128 × system clock

## Resynchronization jump width

0	0	Max. bit synchronization width = 1 time quantum
	1	Max. bit synchronization width = 2 time quanta
1	0	Max. bit synchronization width = 3 time quanta
	1	Max. bit synchronization width = 4 time quanta

## BCR

Bit	:	7	6	5	4	3	2	1	0
		BCR15	BCR14	BCR13	BCR12	BCR11	BCR10	BCR9	BCR8
Initial value :		0	0	0	0	0	0	0	0
Read/Write :		R/W	R/W	R/W	R/W	R/W	R/W	R/W	R/W

Time segment 1

0	0	0	0	Setting prohibited
0	0	0	1	Setting prohibited
0	0	1	0	Setting prohibited
0	0	1	1	TSEG1 = 4 time quanta
0	1	0	0	TSEG1 = 5 time quanta
:	:	:	:	:
1	1	1	1	TSEG1 = 16 time quanta

Time segment 2

0	0	0	Setting prohibited
		1	TSEG2 = 2 time quanta
1	0	0	TSEG2 = 3 time quanta
		1	TSEG2 = 4 time quanta
1	0	0	TSEG2 = 5 time quanta
		1	TSEG2 = 6 time quanta
	1	0	TSEG2 = 7 time quanta
		1	TSEG2 = 8 time quanta

Bit sample point

0	Bit sampling at one point (end of time segment 1 (TSEG1))
1	Bit sampling at three points (end of time segment 1 (TSEG1), and 1 time quantum before and after)

Note: For details, see section 15.2.3, Bit Configuration Register (BCR).

**MBCR**

Bit	:	15	14	13	12	11	10	9	8
		MBCR7	MBCR6	MBCR5	MBCR4	MBCR3	MBCR2	MBCR1	—
Initial value	:	0	0	0	0	0	0	0	1
Read/Write	:	R/W	R/W	R/W	R/W	R/W	R/W	R/W	R
Bit	:	7	6	5	4	3	2	1	0
		MBCR15	MBCR14	MBCR13	MBCR12	MBCR11	MBCR10	MBCR9	MBCR8
Initial value	:	0	0	0	0	0	0	0	0
Read/Write	:	R/W	R/W	R/W	R/W	R/W	R/W	R/W	R/W

Mailbox setting register

0	Corresponding mailbox is set for transmission
1	Corresponding mailbox is set for reception

**TXPR—Transmit Wait Register****H'F806****HCAN****TXPR**

Bit	:	15	14	13	12	11	10	9	8
		TXPR7	TXPR6	TXPR5	TXPR4	TXPR3	TXPR2	TXPR1	—
Initial value	:	0	0	0	0	0	0	0	0
Read/Write	:	R/W	R/W	R/W	R/W	R/W	R/W	R/W	R
Bit	:	7	6	5	4	3	2	1	0
		TXPR15	TXPR14	TXPR13	TXPR12	TXPR11	TXPR10	TXPR9	TXPR8
Initial value	:	0	0	0	0	0	0	0	0
Read/Write	:	R/W	R/W	R/W	R/W	R/W	R/W	R/W	R/W

Transmit wait register

0	Transmit message idle state in corresponding mailbox [Clearing condition] Message transmission completion and cancellation completion
1	Transmit wait for transmit message in corresponding mailbox (CAN bus arbitration)

**TXCR**

Bit	:	15	14	13	12	11	10	9	8
		TXCR7	TXCR6	TXCR5	TXCR4	TXCR3	TXCR2	TXCR1	—
Initial value :		0	0	0	0	0	0	0	0
Read/Write :		R/W	R/W	R/W	R/W	R/W	R/W	R/W	R
Bit	:	7	6	5	4	3	2	1	0
		TXCR15	TXCR14	TXCR13	TXCR12	TXCR11	TXCR10	TXCR9	TXCR8
Initial value :		0	0	0	0	0	0	0	0
Read/Write :		R/W	R/W	R/W	R/W	R/W	R/W	R/W	R/W

Transmit wait cancel register

0	Transmit message cancellation idle state in corresponding mailbox [Clearing condition] Completion of TXPR clearing (when transmit message is canceled normally)
1	TXPR cleared for corresponding mailbox (transmit message cancellation)

**TXACK**

Bit	:	15	14	13	12	11	10	9	8
		TXACK7	TXACK6	TXACK5	TXACK4	TXACK3	TXACK2	TXACK1	—
Initial value	:	0	0	0	0	0	0	0	0
Read/Write	:	R/(W)*	R/(W)*	R/(W)*	R/(W)*	R/(W)*	R/(W)*	R/(W)*	R
Bit	:	7	6	5	4	3	2	1	0
		TXACK15	TXACK14	TXACK13	TXACK12	TXACK11	TXACK10	TXACK9	TXACK8
Initial value	:	0	0	0	0	0	0	0	0
Read/Write	:	R/(W)*	R/(W)*	R/(W)*	R/(W)*	R/(W)*	R/(W)*	R/(W)*	R/(W)*

Transmit acknowledge register

0	[Clearing condition] Writing 1
1	Completion of message transmission for corresponding mailbox

Note: \* Can only be written with 1 for flag clearing.

**ABACK—Abort Acknowledge Register****ABACK**

Bit	:	15	14	13	12	11	10	9	8
		ABACK7	ABACK6	ABACK5	ABACK4	ABACK3	ABACK2	ABACK1	—
Initial value	:	0	0	0	0	0	0	0	0
Read/Write	:	R/(W)*	R/(W)*	R/(W)*	R/(W)*	R/(W)*	R/(W)*	R/(W)*	R
Bit	:	7	6	5	4	3	2	1	0
		ABACK15	ABACK14	ABACK13	ABACK12	ABACK11	ABACK10	ABACK9	ABACK8
Initial value	:	0	0	0	0	0	0	0	0
Read/Write	:	R/(W)*	R/(W)*	R/(W)*	R/(W)*	R/(W)*	R/(W)*	R/(W)*	R/(W)*

Abort acknowledge register

0	[Clearing condition] Writing 1
1	Completion of transmit message cancellation for corresponding mailbox

Note: \* Can only be written with 1 for flag clearing.

**RXPR**

Bit	:	15	14	13	12	11	10	9	8
		RXPR7	RXPR6	RXPR5	RXPR4	RXPR3	RXPR2	RXPR1	RXPR0
Initial value :		0	0	0	0	0	0	0	0
Read/Write :		R/(W)*	R/(W)*	R/(W)*	R/(W)*	R/(W)*	R/(W)*	R/(W)*	R/(W)*
Bit	:	7	6	5	4	3	2	1	0
		RXPR15	RXPR14	RXPR13	RXPR12	RXPR11	RXPR10	RXPR9	RXPR8
Initial value :		0	0	0	0	0	0	0	0
Read/Write :		R/(W)*	R/(W)*	R/(W)*	R/(W)*	R/(W)*	R/(W)*	R/(W)*	R/(W)*

Receive complete register

0	[Clearing condition] Writing 1
1	Completion of message (data frame or remote frame) reception in corresponding mailbox

Note: \* Can only be written with 1 for flag clearing.

**RFPR—Remote Request Register****H'F810****HCAN****RFPR**

Bit	:	15	14	13	12	11	10	9	8
		RFPR7	RFPR6	RFPR5	RFPR4	RFPR3	RFPR2	RFPR1	RFPR0
Initial value :		0	0	0	0	0	0	0	0
Read/Write :		R/(W)*	R/(W)*	R/(W)*	R/(W)*	R/(W)*	R/(W)*	R/(W)*	R/(W)*
Bit	:	7	6	5	4	3	2	1	0
		RFPR15	RFPR14	RFPR13	RFPR12	RFPR11	RFPR10	RFPR9	RFPR8
Initial value :		0	0	0	0	0	0	0	0
Read/Write :		R/(W)*	R/(W)*	R/(W)*	R/(W)*	R/(W)*	R/(W)*	R/(W)*	R/(W)*

Remote request wait register

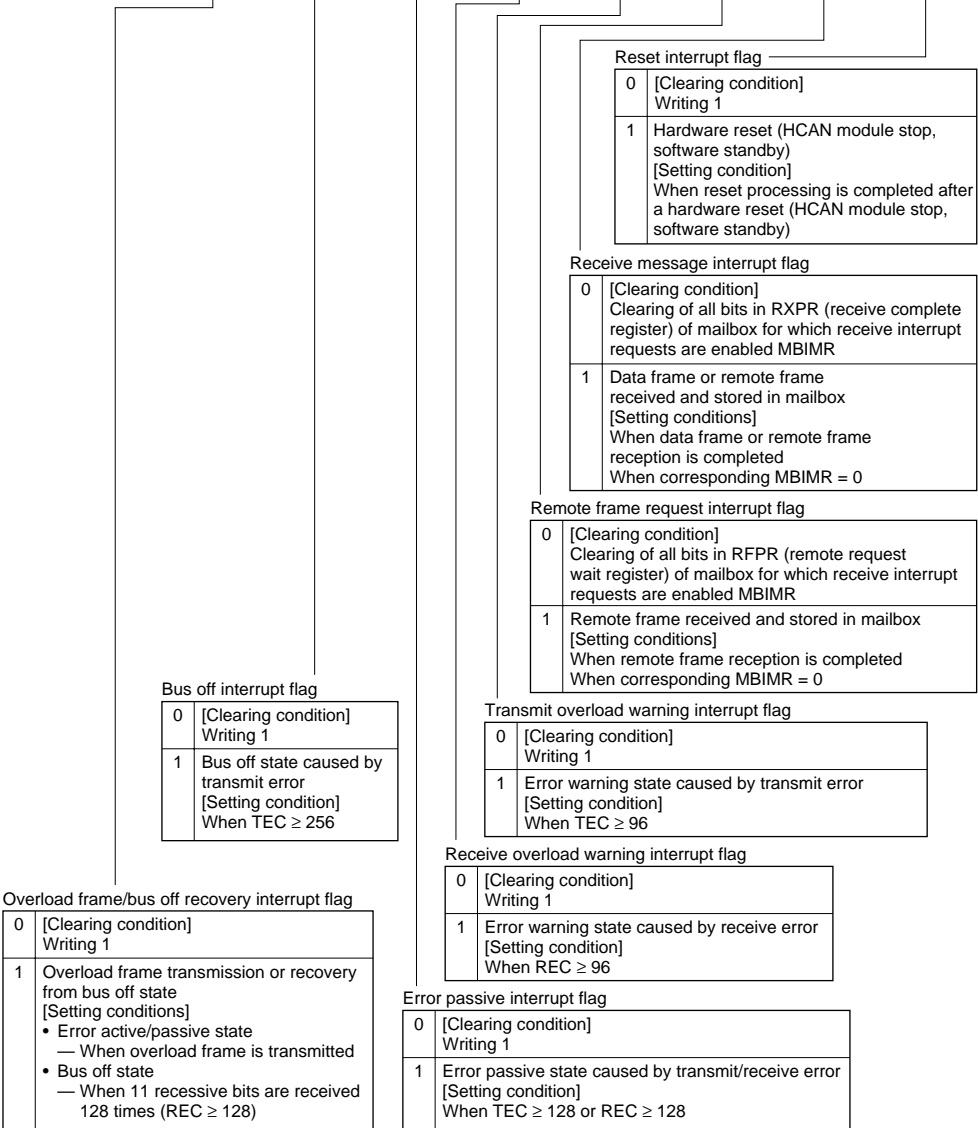
0	[Clearing condition] Writing 1
1	Completion of remote frame reception in corresponding mailbox

Note: \* Can only be written with 1 for flag clearing.



IRR

Bit	:	15	14	13	12	11	10	9	8
		IRR7	IRR6	IRR5	IRR4	IRR3	IRR2	IRR1	IRR0
Initial value	:	0	0	0	0	0	0	0	0
Read/Write	:	R/(W)*	R/(W)*	R/(W)*	R/(W)*	R/(W)*	R	R	R/(W)*



Note: \* Can only be written with 1 for flag clearing.

## IRR

Bit	:	7	6	5	4	3	2	1	0
		—	—	—	IRR12	—	—	IRR9	IRR8
Initial value :		0	0	0	0	0	0	0	0
Read/Write :		—	—	—	R/(W)*	—	—	R	R/(W)*

### Mailbox empty interrupt flag

0	[Clearing condition] Writing 1
1	Transmit message has been transmitted or aborted, and new message can be stored [Setting condition] When TXPR (transmit wait register) is cleared by completion of transmission or completion of transmission abort

### Unread interrupt flag

0	[Clearing condition] Clearing of all bits in UMSR (unread message status register)
1	Unread message overwrite [Setting condition] When UMSR (unread message status register) is set

### Bus operation interrupt flag

0	CAN bus idle state [Clearing condition] Writing 1
1	CAN bus operation in HCAN sleep mode [Setting condition] Bus operation (dominant bit detection) in HCAN sleep mode

Note: \* Can only be written with 1 for flag clearing.

**MBIMR**

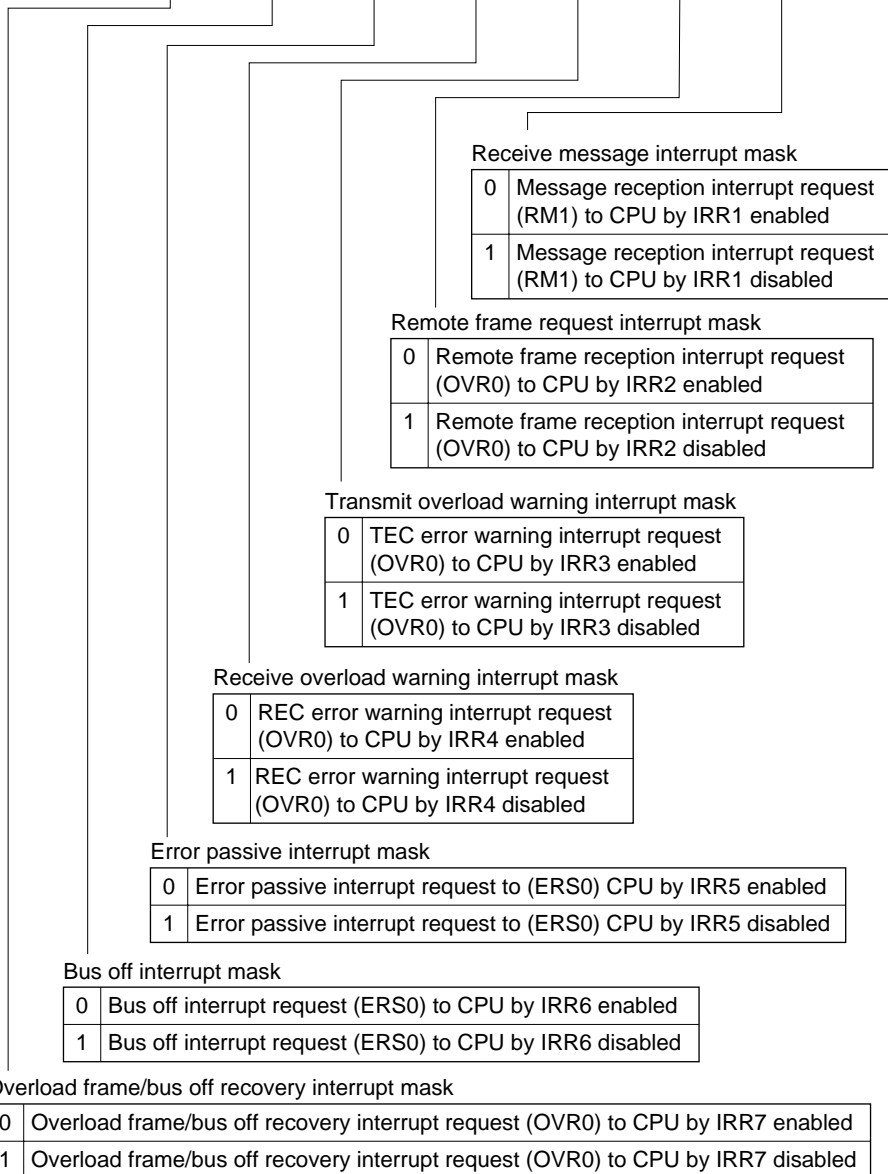
Bit	:	15	14	13	12	11	10	9	8
		MBIMR7	MBIMR6	MBIMR5	MBIMR4	MBIMR3	MBIMR2	MBIMR1	MBIMR0
Initial value	:	1	1	1	1	1	1	1	1
Read/Write	:	R/W	R/W	R/W	R/W	R/W	R/W	R/W	R/W
Bit	:	7	6	5	4	3	2	1	0
		MBIMR15	MBIMR14	MBIMR13	MBIMR12	MBIMR11	MBIMR10	MBIMR9	MBIMR8
Initial value	:	1	1	1	1	1	1	1	1
Read/Write	:	R/W	R/W	R/W	R/W	R/W	R/W	R/W	R/W

Mailbox interrupt mask

0	[Transmitting] Interrupt request to CPU due to TXPR clearing [Receiving] Interrupt request to CPU due to RXPR setting
1	Interrupt requests to CPU disabled

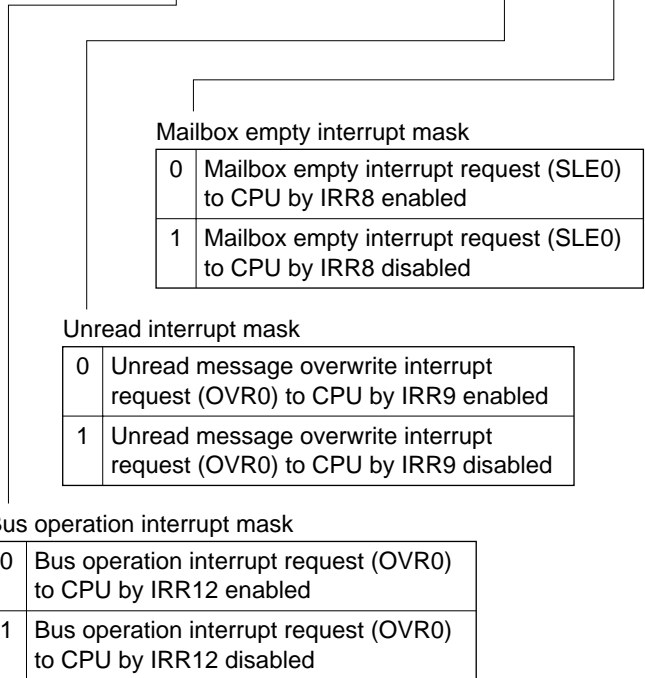
## IMR

Bit	:	15	14	13	12	11	10	9	8
		IMR7	IMR6	IMR5	IMR4	IMR3	IMR2	IMR1	—
Initial value :		1	1	1	1	1	1	1	0
Read/Write :		R/W	R/W	R/W	R/W	R/W	R/W	R/W	R



## IMR

Bit	:	7	6	5	4	3	2	1	0
		—	—	—	IMR12	—	—	IMR9	IMR8
Initial value :		1	1	1	1	1	1	1	1
Read/Write :		—	—	—	R/W	—	—	R/W	R/W



**REC**

Bit	:	7	6	5	4	3	2	1	0
Initial value :		0	0	0	0	0	0	0	0
Read/Write :		R	R	R	R	R	R	R	R

**TEC—Transmit Error Counter**

**TEC**

Bit	:	7	6	5	4	3	2	1	0
Initial value :		0	0	0	0	0	0	0	0
Read/Write :		R	R	R	R	R	R	R	R

**UMSR—Unread Message Status Register**

**UMSR**

Bit	:	15	14	13	12	11	10	9	8
		UMSR7	UMSR6	UMSR5	UMSR4	UMSR3	UMSR2	UMSR1	UMSR0
Initial value :		0	0	0	0	0	0	0	0
Read/Write :		R/(W)*	R/(W)*	R/(W)*	R/(W)*	R/(W)*	R/(W)*	R/(W)*	R/(W)*

Bit	:	7	6	5	4	3	2	1	0
		UMSR15	UMSR14	UMSR13	UMSR12	UMSR11	UMSR10	UMSR9	UMSR8
Initial value :		0	0	0	0	0	0	0	0
Read/Write :		R/(W)*	R/(W)*	R/(W)*	R/(W)*	R/(W)*	R/(W)*	R/(W)*	R/(W)*

Unread message status flags

0	[Clearing condition] Writing 1
1	Unread receive message is overwritten by a new message [Setting condition] When a new message is received before RXPR is cleared

Note: \* Can only be written with 1 for flag clearing.

**LAFML**

Bit	:	15	14	13	12	11	10	9	8
		LAFML7	LAFML6	LAFML5	LAFML4	LAFML3	LAFML2	LAFML1	LAFML0
Initial value	:	0	0	0	0	0	0	0	0
Read/Write	:	R/W	R/W	R/W	R/W	R/W	R/W	R/W	R/W
Bit	:	7	6	5	4	3	2	1	0
		LAFML15	LAFML14	LAFML13	LAFML12	LAFML11	LAFML10	LAFML9	LAFML8
Initial value	:	0	0	0	0	0	0	0	0
Read/Write	:	R/W	R/W	R/W	R/W	R/W	R/W	R/W	R/W

**LAFMH**

Bit	:	15	14	13	12	11	10	9	8
		LAFMH7	LAFMH6	LAFMH5	—	—	—	LAFMH1	LAFMH0
Initial value	:	0	0	0	0	0	0	0	0
Read/Write	:	R/W	R/W	R/W	R	R	R	R/W	R/W
Bit	:	7	6	5	4	3	2	1	0
		LAFMH15	LAFMH14	LAFMH13	LAFMH12	LAFMH11	LAFMH10	LAFMH9	LAFMH8
Initial value	:	0	0	0	0	0	0	0	0
Read/Write	:	R/W	R/W	R/W	R/W	R/W	R/W	R/W	R/W

LAFMH Bits 7 to 0 and 15 to 13—11-bit identifier filter

0	Stored in MC0, MD0 (receive-only mailbox) depending on bit match between MC0 message identifier and receive message identifier (Care)
1	Stored in MC0, MD0 (receive-only mailbox) regardless of bit match between MC0 message identifier and receive message identifier (Don't Care)

LAFMH bits 9 and 8, LAFML Bits 15 to 0—18-bit identifier filter

0	Stored in MC0 (receive-only mailbox) depending on bit match between MC0 message identifier and receive message identifier (Care)
1	Stored in MC0 (receive-only mailbox) regardless of bit match between MC0 message identifier and receive message identifier (Don't Care)

MCx[1] Bit :	7	6	5	4	3	2	1	0
	—	—	—	—	DLC3	DLC2	DLC1	DLC0
Initial value :	Undefined	Undefined	Undefined	Undefined	Undefined	Undefined	Undefined	Undefined
Read/Write :	R/W	R/W	R/W	R/W	R/W	R/W	R/W	R/W

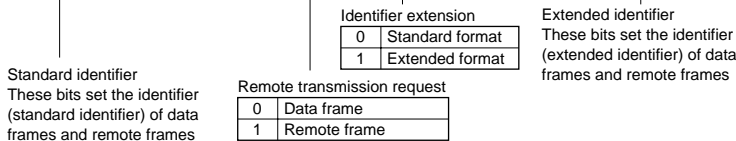
Data length code			
0	0	0	Data length = 0 bytes
		1	Data length = 1 byte
	1	0	Data length = 2 bytes
		1	Data length = 3 bytes
1	0	0	Data length = 4 bytes
		1	Data length = 5 bytes
		0	Data length = 6 bytes
	1	0	Data length = 7 bytes
		1	Data length = 8 bytes
1	0/1	0/1	0/1

MCx[2] Bit :	7	6	5	4	3	2	1	0
	—	—	—	—	—	—	—	—
Initial value :	Undefined	Undefined	Undefined	Undefined	Undefined	Undefined	Undefined	Undefined
Read/Write :	R/W	R/W	R/W	R/W	R/W	R/W	R/W	R/W

MCx[3] Bit :	7	6	5	4	3	2	1	0
	—	—	—	—	—	—	—	—
Initial value :	Undefined	Undefined	Undefined	Undefined	Undefined	Undefined	Undefined	Undefined
Read/Write :	R/W	R/W	R/W	R/W	R/W	R/W	R/W	R/W

MCx[4] Bit :	7	6	5	4	3	2	1	0
	—	—	—	—	—	—	—	—
Initial value :	Undefined	Undefined	Undefined	Undefined	Undefined	Undefined	Undefined	Undefined
Read/Write :	R/W	R/W	R/W	R/W	R/W	R/W	R/W	R/W

MCx[5] Bit :	7	6	5	4	3	2	1	0
	STD_ID2	STD_ID1	STD_ID0	RTR	IDE	—	EXD_ID17	EXD_ID16
Initial value :	Undefined	Undefined	Undefined	Undefined	Undefined	Undefined	Undefined	Undefined
Read/Write :	R/W	R/W	R/W	R/W	R/W	R/W	R/W	R/W



MCx[6] Bit :	7	6	5	4	3	2	1	0
	STD_ID10	STD_ID9	STD_ID8	STD_ID7	STD_ID6	STD_ID5	STD_ID4	STD_ID3
Initial value :	Undefined	Undefined	Undefined	Undefined	Undefined	Undefined	Undefined	Undefined
Read/Write :	R/W	R/W	R/W	R/W	R/W	R/W	R/W	R/W

Standard identifier  
These bits set the identifier (standard identifier) of data frames and remote frames

MCx[7] Bit :	7	6	5	4	3	2	1	0
	EXD_ID7	EXD_ID6	EXD_ID5	EXD_ID4	EXD_ID3	EXD_ID2	EXD_ID1	EXD_ID0
Initial value :	Undefined	Undefined	Undefined	Undefined	Undefined	Undefined	Undefined	Undefined
Read/Write :	R/W	R/W	R/W	R/W	R/W	R/W	R/W	R/W

MCx[8] Bit :	7	6	5	4	3	2	1	0
	EXD_ID15	EXD_ID14	EXD_ID13	EXD_ID12	EXD_ID11	EXD_ID10	EXD_ID9	EXD_ID8
Initial value :	Undefined	Undefined	Undefined	Undefined	Undefined	Undefined	Undefined	Undefined
Read/Write :	R/W	R/W	R/W	R/W	R/W	R/W	R/W	R/W

Extended identifier  
These bits set the identifier (extended identifier) of data frames and remote frames  
x = 0



MCx[1] Bit :	7	6	5	4	3	2	1	0
	—	—	—	—	DLC3	DLC2	DLC1	DLC0
Initial value :	Undefined	Undefined	Undefined	Undefined	Undefined	Undefined	Undefined	Undefined
Read/Write :	R/W	R/W	R/W	R/W	R/W	R/W	R/W	R/W

Data length code

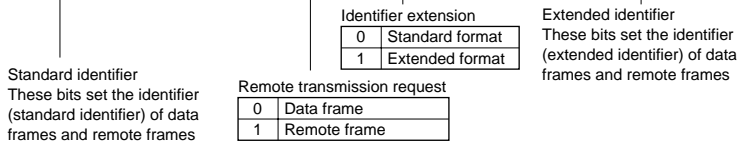
0	0	0	0	Data length = 0 bytes	
		1	0	Data length = 1 byte	
		0	1	Data length = 2 bytes	
		1	1	Data length = 3 bytes	
	1	0	0	0	Data length = 4 bytes
			1	0	Data length = 5 bytes
		1	0	1	Data length = 6 bytes
			1	1	Data length = 7 bytes
1	0/1	0/1	0/1	Data length = 8 bytes	

MCx[2] Bit :	7	6	5	4	3	2	1	0
	—	—	—	—	—	—	—	—
Initial value :	Undefined	Undefined	Undefined	Undefined	Undefined	Undefined	Undefined	Undefined
Read/Write :	R/W	R/W	R/W	R/W	R/W	R/W	R/W	R/W

MCx[3] Bit :	7	6	5	4	3	2	1	0
	—	—	—	—	—	—	—	—
Initial value :	Undefined	Undefined	Undefined	Undefined	Undefined	Undefined	Undefined	Undefined
Read/Write :	R/W	R/W	R/W	R/W	R/W	R/W	R/W	R/W

MCx[4] Bit :	7	6	5	4	3	2	1	0
	—	—	—	—	—	—	—	—
Initial value :	Undefined	Undefined	Undefined	Undefined	Undefined	Undefined	Undefined	Undefined
Read/Write :	R/W	R/W	R/W	R/W	R/W	R/W	R/W	R/W

MCx[5] Bit :	7	6	5	4	3	2	1	0
	STD_ID2	STD_ID1	STD_ID0	RTR	IDE	—	EXD_ID17	EXD_ID16
Initial value :	Undefined	Undefined	Undefined	Undefined	Undefined	Undefined	Undefined	Undefined
Read/Write :	R/W	R/W	R/W	R/W	R/W	R/W	R/W	R/W



MCx[6] Bit :	7	6	5	4	3	2	1	0
	STD_ID10	STD_ID9	STD_ID8	STD_ID7	STD_ID6	STD_ID5	STD_ID4	STD_ID3
Initial value :	Undefined	Undefined	Undefined	Undefined	Undefined	Undefined	Undefined	Undefined
Read/Write :	R/W	R/W	R/W	R/W	R/W	R/W	R/W	R/W

Standard identifier  
These bits set the identifier (standard identifier) of data frames and remote frames

MCx[7] Bit :	7	6	5	4	3	2	1	0
	EXD_ID7	EXD_ID6	EXD_ID5	EXD_ID4	EXD_ID3	EXD_ID2	EXD_ID1	EXD_ID0
Initial value :	Undefined	Undefined	Undefined	Undefined	Undefined	Undefined	Undefined	Undefined
Read/Write :	R/W	R/W	R/W	R/W	R/W	R/W	R/W	R/W

MCx[8] Bit :	7	6	5	4	3	2	1	0
	EXD_ID15	EXD_ID14	EXD_ID13	EXD_ID12	EXD_ID11	EXD_ID10	EXD_ID9	EXD_ID8
Initial value :	Undefined	Undefined	Undefined	Undefined	Undefined	Undefined	Undefined	Undefined
Read/Write :	R/W	R/W	R/W	R/W	R/W	R/W	R/W	R/W

Extended identifier  
These bits set the identifier (extended identifier) of data frames and remote frames  
x = 1

MCx[1] Bit :	7	6	5	4	3	2	1	0
	—	—	—	—	DLC3	DLC2	DLC1	DLC0
Initial value :	Undefined	Undefined	Undefined	Undefined	Undefined	Undefined	Undefined	Undefined
Read/Write :	R/W	R/W	R/W	R/W	R/W	R/W	R/W	R/W

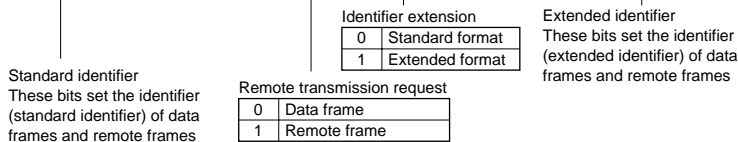
Data length code				
0	0	0	Data length = 0 bytes	
		1	Data length = 1 byte	
	1	0	Data length = 2 bytes	
		1	Data length = 3 bytes	
1	0	0	Data length = 4 bytes	
		1	Data length = 5 bytes	
		0	Data length = 6 bytes	
	1	0	Data length = 7 bytes	
		1	Data length = 8 bytes	
1	0/1	0/1	0/1	Data length = 8 bytes

MCx[2] Bit :	7	6	5	4	3	2	1	0
	—	—	—	—	—	—	—	—
Initial value :	Undefined	Undefined	Undefined	Undefined	Undefined	Undefined	Undefined	Undefined
Read/Write :	R/W	R/W	R/W	R/W	R/W	R/W	R/W	R/W

MCx[3] Bit :	7	6	5	4	3	2	1	0
	—	—	—	—	—	—	—	—
Initial value :	Undefined	Undefined	Undefined	Undefined	Undefined	Undefined	Undefined	Undefined
Read/Write :	R/W	R/W	R/W	R/W	R/W	R/W	R/W	R/W

MCx[4] Bit :	7	6	5	4	3	2	1	0
	—	—	—	—	—	—	—	—
Initial value :	Undefined	Undefined	Undefined	Undefined	Undefined	Undefined	Undefined	Undefined
Read/Write :	R/W	R/W	R/W	R/W	R/W	R/W	R/W	R/W

MCx[5] Bit :	7	6	5	4	3	2	1	0
	STD_ID2	STD_ID1	STD_ID0	RTR	IDE	—	EXD_ID17	EXD_ID16
Initial value :	Undefined	Undefined	Undefined	Undefined	Undefined	Undefined	Undefined	Undefined
Read/Write :	R/W	R/W	R/W	R/W	R/W	R/W	R/W	R/W



MCx[6] Bit :	7	6	5	4	3	2	1	0
	STD_ID10	STD_ID9	STD_ID8	STD_ID7	STD_ID6	STD_ID5	STD_ID4	STD_ID3
Initial value :	Undefined	Undefined	Undefined	Undefined	Undefined	Undefined	Undefined	Undefined
Read/Write :	R/W	R/W	R/W	R/W	R/W	R/W	R/W	R/W

Standard identifier  
These bits set the identifier (standard identifier) of data frames and remote frames

MCx[7] Bit :	7	6	5	4	3	2	1	0
	EXD_ID7	EXD_ID6	EXD_ID5	EXD_ID4	EXD_ID3	EXD_ID2	EXD_ID1	EXD_ID0
Initial value :	Undefined	Undefined	Undefined	Undefined	Undefined	Undefined	Undefined	Undefined
Read/Write :	R/W	R/W	R/W	R/W	R/W	R/W	R/W	R/W

MCx[8] Bit :	7	6	5	4	3	2	1	0
	EXD_ID15	EXD_ID14	EXD_ID13	EXD_ID12	EXD_ID11	EXD_ID10	EXD_ID9	EXD_ID8
Initial value :	Undefined	Undefined	Undefined	Undefined	Undefined	Undefined	Undefined	Undefined
Read/Write :	R/W	R/W	R/W	R/W	R/W	R/W	R/W	R/W

Extended identifier  
These bits set the identifier (extended identifier) of data frames and remote frames  
x = 2

MCx[1] Bit :

7	6	5	4	3	2	1	0
—	—	—	—	DLC3	DLC2	DLC1	DLC0
Undefined	Undefined	Undefined	Undefined	Undefined	Undefined	Undefined	Undefined
R/W	R/W	R/W	R/W	R/W	R/W	R/W	R/W

Data length code

0	0	0	0	Data length = 0 bytes	
		1	0	Data length = 1 byte	
		0	1	Data length = 2 bytes	
		1	1	Data length = 3 bytes	
	1	0	0	0	Data length = 4 bytes
			1	0	Data length = 5 bytes
		1	0	1	Data length = 6 bytes
			1	1	Data length = 7 bytes
1	0/1	0/1	0/1	Data length = 8 bytes	

MCx[2] Bit :

7	6	5	4	3	2	1	0
—	—	—	—	—	—	—	—
Undefined	Undefined	Undefined	Undefined	Undefined	Undefined	Undefined	Undefined
R/W	R/W	R/W	R/W	R/W	R/W	R/W	R/W

MCx[3] Bit :

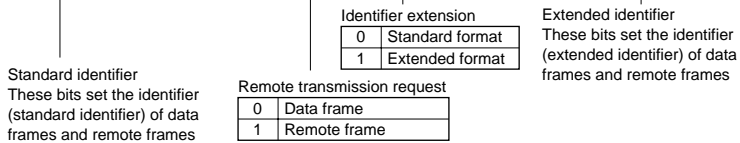
7	6	5	4	3	2	1	0
—	—	—	—	—	—	—	—
Undefined	Undefined	Undefined	Undefined	Undefined	Undefined	Undefined	Undefined
R/W	R/W	R/W	R/W	R/W	R/W	R/W	R/W

MCx[4] Bit :

7	6	5	4	3	2	1	0
—	—	—	—	—	—	—	—
Undefined	Undefined	Undefined	Undefined	Undefined	Undefined	Undefined	Undefined
R/W	R/W	R/W	R/W	R/W	R/W	R/W	R/W

MCx[5] Bit :

7	6	5	4	3	2	1	0
STD_ID2	STD_ID1	STD_ID0	RTR	IDE	—	EXD_ID17	EXD_ID16
Undefined	Undefined	Undefined	Undefined	Undefined	Undefined	Undefined	Undefined
R/W	R/W	R/W	R/W	R/W	R/W	R/W	R/W



MCx[6] Bit :

7	6	5	4	3	2	1	0
STD_ID10	STD_ID9	STD_ID8	STD_ID7	STD_ID6	STD_ID5	STD_ID4	STD_ID3
Undefined	Undefined	Undefined	Undefined	Undefined	Undefined	Undefined	Undefined
R/W	R/W	R/W	R/W	R/W	R/W	R/W	R/W

Standard identifier  
These bits set the identifier (standard identifier) of data frames and remote frames

MCx[7] Bit :

7	6	5	4	3	2	1	0
EXD_ID7	EXD_ID6	EXD_ID5	EXD_ID4	EXD_ID3	EXD_ID2	EXD_ID1	EXD_ID0
Undefined	Undefined	Undefined	Undefined	Undefined	Undefined	Undefined	Undefined
R/W	R/W	R/W	R/W	R/W	R/W	R/W	R/W

MCx[8] Bit :

7	6	5	4	3	2	1	0
EXD_ID15	EXD_ID14	EXD_ID13	EXD_ID12	EXD_ID11	EXD_ID10	EXD_ID9	EXD_ID8
Undefined	Undefined	Undefined	Undefined	Undefined	Undefined	Undefined	Undefined
R/W	R/W	R/W	R/W	R/W	R/W	R/W	R/W

Extended identifier  
These bits set the identifier (extended identifier) of data frames and remote frames  
x = 3

MCx[1] Bit :	7	6	5	4	3	2	1	0
	—	—	—	—	DLC3	DLC2	DLC1	DLC0
Initial value :	Undefined	Undefined	Undefined	Undefined	Undefined	Undefined	Undefined	Undefined
Read/Write :	R/W	R/W	R/W	R/W	R/W	R/W	R/W	R/W

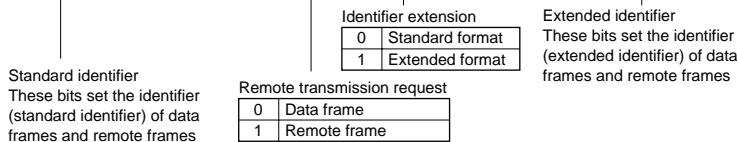
Data length code				
0	0	0	Data length = 0 bytes	
		1	Data length = 1 byte	
		1	0	Data length = 2 bytes
			1	Data length = 3 bytes
1	0	0	Data length = 4 bytes	
		1	Data length = 5 bytes	
		0	Data length = 6 bytes	
		1	0	Data length = 7 bytes
			1	Data length = 8 bytes
1	0/1	0/1	0/1	Data length = 8 bytes

MCx[2] Bit :	7	6	5	4	3	2	1	0
	—	—	—	—	—	—	—	—
Initial value :	Undefined	Undefined	Undefined	Undefined	Undefined	Undefined	Undefined	Undefined
Read/Write :	R/W	R/W	R/W	R/W	R/W	R/W	R/W	R/W

MCx[3] Bit :	7	6	5	4	3	2	1	0
	—	—	—	—	—	—	—	—
Initial value :	Undefined	Undefined	Undefined	Undefined	Undefined	Undefined	Undefined	Undefined
Read/Write :	R/W	R/W	R/W	R/W	R/W	R/W	R/W	R/W

MCx[4] Bit :	7	6	5	4	3	2	1	0
	—	—	—	—	—	—	—	—
Initial value :	Undefined	Undefined	Undefined	Undefined	Undefined	Undefined	Undefined	Undefined
Read/Write :	R/W	R/W	R/W	R/W	R/W	R/W	R/W	R/W

MCx[5] Bit :	7	6	5	4	3	2	1	0
	STD_ID2	STD_ID1	STD_ID0	RTR	IDE	—	EXD_ID17	EXD_ID16
Initial value :	Undefined	Undefined	Undefined	Undefined	Undefined	Undefined	Undefined	Undefined
Read/Write :	R/W	R/W	R/W	R/W	R/W	R/W	R/W	R/W



MCx[6] Bit :	7	6	5	4	3	2	1	0
	STD_ID10	STD_ID9	STD_ID8	STD_ID7	STD_ID6	STD_ID5	STD_ID4	STD_ID3
Initial value :	Undefined	Undefined	Undefined	Undefined	Undefined	Undefined	Undefined	Undefined
Read/Write :	R/W	R/W	R/W	R/W	R/W	R/W	R/W	R/W

Standard identifier  
These bits set the identifier (standard identifier) of data frames and remote frames

MCx[7] Bit :	7	6	5	4	3	2	1	0
	EXD_ID7	EXD_ID6	EXD_ID5	EXD_ID4	EXD_ID3	EXD_ID2	EXD_ID1	EXD_ID0
Initial value :	Undefined	Undefined	Undefined	Undefined	Undefined	Undefined	Undefined	Undefined
Read/Write :	R/W	R/W	R/W	R/W	R/W	R/W	R/W	R/W

MCx[8] Bit :	7	6	5	4	3	2	1	0
	EXD_ID15	EXD_ID14	EXD_ID13	EXD_ID12	EXD_ID11	EXD_ID10	EXD_ID9	EXD_ID8
Initial value :	Undefined	Undefined	Undefined	Undefined	Undefined	Undefined	Undefined	Undefined
Read/Write :	R/W	R/W	R/W	R/W	R/W	R/W	R/W	R/W

Extended identifier  
These bits set the identifier (extended identifier) of data frames and remote frames

x = 4

MCx[1] Bit :	7	6	5	4	3	2	1	0
	—	—	—	—	DLC3	DLC2	DLC1	DLC0
Initial value :	Undefined	Undefined	Undefined	Undefined	Undefined	Undefined	Undefined	Undefined
Read/Write :	R/W	R/W	R/W	R/W	R/W	R/W	R/W	R/W

Data length code

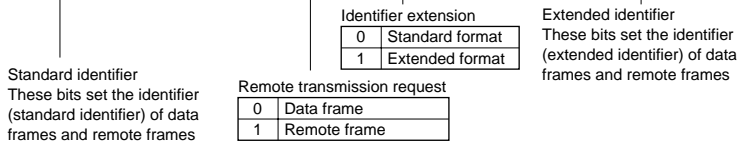
0	0	0	0	Data length = 0 bytes	
		1	0	Data length = 1 byte	
		0	1	Data length = 2 bytes	
		1	1	Data length = 3 bytes	
	1	0	0	0	Data length = 4 bytes
			1	0	Data length = 5 bytes
		1	0	1	Data length = 6 bytes
			1	1	Data length = 7 bytes
1	0/1	0/1	0/1	Data length = 8 bytes	

MCx[2] Bit :	7	6	5	4	3	2	1	0
	—	—	—	—	—	—	—	—
Initial value :	Undefined	Undefined	Undefined	Undefined	Undefined	Undefined	Undefined	Undefined
Read/Write :	R/W	R/W	R/W	R/W	R/W	R/W	R/W	R/W

MCx[3] Bit :	7	6	5	4	3	2	1	0
	—	—	—	—	—	—	—	—
Initial value :	Undefined	Undefined	Undefined	Undefined	Undefined	Undefined	Undefined	Undefined
Read/Write :	R/W	R/W	R/W	R/W	R/W	R/W	R/W	R/W

MCx[4] Bit :	7	6	5	4	3	2	1	0
	—	—	—	—	—	—	—	—
Initial value :	Undefined	Undefined	Undefined	Undefined	Undefined	Undefined	Undefined	Undefined
Read/Write :	R/W	R/W	R/W	R/W	R/W	R/W	R/W	R/W

MCx[5] Bit :	7	6	5	4	3	2	1	0
	STD_ID2	STD_ID1	STD_ID0	RTR	IDE	—	EXD_ID17	EXD_ID16
Initial value :	Undefined	Undefined	Undefined	Undefined	Undefined	Undefined	Undefined	Undefined
Read/Write :	R/W	R/W	R/W	R/W	R/W	R/W	R/W	R/W



MCx[6] Bit :	7	6	5	4	3	2	1	0
	STD_ID10	STD_ID9	STD_ID8	STD_ID7	STD_ID6	STD_ID5	STD_ID4	STD_ID3
Initial value :	Undefined	Undefined	Undefined	Undefined	Undefined	Undefined	Undefined	Undefined
Read/Write :	R/W	R/W	R/W	R/W	R/W	R/W	R/W	R/W

Standard identifier  
These bits set the identifier (standard identifier) of data frames and remote frames

MCx[7] Bit :	7	6	5	4	3	2	1	0
	EXD_ID7	EXD_ID6	EXD_ID5	EXD_ID4	EXD_ID3	EXD_ID2	EXD_ID1	EXD_ID0
Initial value :	Undefined	Undefined	Undefined	Undefined	Undefined	Undefined	Undefined	Undefined
Read/Write :	R/W	R/W	R/W	R/W	R/W	R/W	R/W	R/W

MCx[8] Bit :	7	6	5	4	3	2	1	0
	EXD_ID15	EXD_ID14	EXD_ID13	EXD_ID12	EXD_ID11	EXD_ID10	EXD_ID9	EXD_ID8
Initial value :	Undefined	Undefined	Undefined	Undefined	Undefined	Undefined	Undefined	Undefined
Read/Write :	R/W	R/W	R/W	R/W	R/W	R/W	R/W	R/W

Extended identifier  
These bits set the identifier (extended identifier) of data frames and remote frames  
x = 5

MCx[1] Bit :	7	6	5	4	3	2	1	0
	—	—	—	—	DLC3	DLC2	DLC1	DLC0
Initial value :	Undefined	Undefined	Undefined	Undefined	Undefined	Undefined	Undefined	Undefined
Read/Write :	R/W	R/W	R/W	R/W	R/W	R/W	R/W	R/W

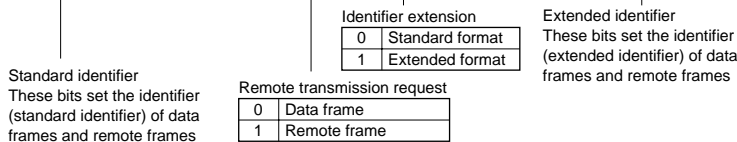
Data length code				
0	0	0	Data length = 0 bytes	
		1	Data length = 1 byte	
	1	0	Data length = 2 bytes	
		1	Data length = 3 bytes	
1	0	0	Data length = 4 bytes	
		1	Data length = 5 bytes	
		0	Data length = 6 bytes	
	1	0	Data length = 7 bytes	
		1	Data length = 8 bytes	
1	0/1	0/1	0/1	Data length = 8 bytes

MCx[2] Bit :	7	6	5	4	3	2	1	0
	—	—	—	—	—	—	—	—
Initial value :	Undefined	Undefined	Undefined	Undefined	Undefined	Undefined	Undefined	Undefined
Read/Write :	R/W	R/W	R/W	R/W	R/W	R/W	R/W	R/W

MCx[3] Bit :	7	6	5	4	3	2	1	0
	—	—	—	—	—	—	—	—
Initial value :	Undefined	Undefined	Undefined	Undefined	Undefined	Undefined	Undefined	Undefined
Read/Write :	R/W	R/W	R/W	R/W	R/W	R/W	R/W	R/W

MCx[4] Bit :	7	6	5	4	3	2	1	0
	—	—	—	—	—	—	—	—
Initial value :	Undefined	Undefined	Undefined	Undefined	Undefined	Undefined	Undefined	Undefined
Read/Write :	R/W	R/W	R/W	R/W	R/W	R/W	R/W	R/W

MCx[5] Bit :	7	6	5	4	3	2	1	0
	STD_ID2	STD_ID1	STD_ID0	RTR	IDE	—	EXD_ID17	EXD_ID16
Initial value :	Undefined	Undefined	Undefined	Undefined	Undefined	Undefined	Undefined	Undefined
Read/Write :	R/W	R/W	R/W	R/W	R/W	R/W	R/W	R/W



MCx[6] Bit :	7	6	5	4	3	2	1	0
	STD_ID10	STD_ID9	STD_ID8	STD_ID7	STD_ID6	STD_ID5	STD_ID4	STD_ID3
Initial value :	Undefined	Undefined	Undefined	Undefined	Undefined	Undefined	Undefined	Undefined
Read/Write :	R/W	R/W	R/W	R/W	R/W	R/W	R/W	R/W

Standard identifier  
These bits set the identifier (standard identifier) of data frames and remote frames

MCx[7] Bit :	7	6	5	4	3	2	1	0
	EXD_ID7	EXD_ID6	EXD_ID5	EXD_ID4	EXD_ID3	EXD_ID2	EXD_ID1	EXD_ID0
Initial value :	Undefined	Undefined	Undefined	Undefined	Undefined	Undefined	Undefined	Undefined
Read/Write :	R/W	R/W	R/W	R/W	R/W	R/W	R/W	R/W

MCx[8] Bit :	7	6	5	4	3	2	1	0
	EXD_ID15	EXD_ID14	EXD_ID13	EXD_ID12	EXD_ID11	EXD_ID10	EXD_ID9	EXD_ID8
Initial value :	Undefined	Undefined	Undefined	Undefined	Undefined	Undefined	Undefined	Undefined
Read/Write :	R/W	R/W	R/W	R/W	R/W	R/W	R/W	R/W

Extended identifier  
These bits set the identifier (extended identifier) of data frames and remote frames

x = 6

MCx[1] Bit :

7	6	5	4	3	2	1	0
—	—	—	—	DLC3	DLC2	DLC1	DLC0
Undefined	Undefined	Undefined	Undefined	Undefined	Undefined	Undefined	Undefined
R/W	R/W	R/W	R/W	R/W	R/W	R/W	R/W

Data length code

0	0	0	0	Data length = 0 bytes	
		1	0	Data length = 1 byte	
		0	1	Data length = 2 bytes	
		1	1	Data length = 3 bytes	
	1	0	0	0	Data length = 4 bytes
			1	0	Data length = 5 bytes
		1	0	1	Data length = 6 bytes
			1	1	Data length = 7 bytes
1	0/1	0/1	0/1	Data length = 8 bytes	

MCx[2] Bit :

7	6	5	4	3	2	1	0
—	—	—	—	—	—	—	—
Undefined	Undefined	Undefined	Undefined	Undefined	Undefined	Undefined	Undefined
R/W	R/W	R/W	R/W	R/W	R/W	R/W	R/W

MCx[3] Bit :

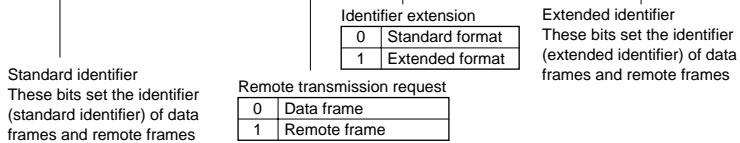
7	6	5	4	3	2	1	0
—	—	—	—	—	—	—	—
Undefined	Undefined	Undefined	Undefined	Undefined	Undefined	Undefined	Undefined
R/W	R/W	R/W	R/W	R/W	R/W	R/W	R/W

MCx[4] Bit :

7	6	5	4	3	2	1	0
—	—	—	—	—	—	—	—
Undefined	Undefined	Undefined	Undefined	Undefined	Undefined	Undefined	Undefined
R/W	R/W	R/W	R/W	R/W	R/W	R/W	R/W

MCx[5] Bit :

7	6	5	4	3	2	1	0
STD_ID2	STD_ID1	STD_ID0	RTR	IDE	—	EXD_ID17	EXD_ID16
Undefined	Undefined	Undefined	Undefined	Undefined	Undefined	Undefined	Undefined
R/W	R/W	R/W	R/W	R/W	R/W	R/W	R/W



MCx[6] Bit :

7	6	5	4	3	2	1	0
STD_ID10	STD_ID9	STD_ID8	STD_ID7	STD_ID6	STD_ID5	STD_ID4	STD_ID3
Undefined	Undefined	Undefined	Undefined	Undefined	Undefined	Undefined	Undefined
R/W	R/W	R/W	R/W	R/W	R/W	R/W	R/W

Standard identifier —  
 These bits set the identifier (standard identifier) of data frames and remote frames

MCx[7] Bit :

7	6	5	4	3	2	1	0
EXD_ID7	EXD_ID6	EXD_ID5	EXD_ID4	EXD_ID3	EXD_ID2	EXD_ID1	EXD_ID0
Undefined	Undefined	Undefined	Undefined	Undefined	Undefined	Undefined	Undefined
R/W	R/W	R/W	R/W	R/W	R/W	R/W	R/W

MCx[8] Bit :

7	6	5	4	3	2	1	0
EXD_ID15	EXD_ID14	EXD_ID13	EXD_ID12	EXD_ID11	EXD_ID10	EXD_ID9	EXD_ID8
Undefined	Undefined	Undefined	Undefined	Undefined	Undefined	Undefined	Undefined
R/W	R/W	R/W	R/W	R/W	R/W	R/W	R/W

Extended identifier —  
 These bits set the identifier (extended identifier) of data frames and remote frames  
 x = 7

MCx[1] Bit :	7	6	5	4	3	2	1	0
	—	—	—	—	DLC3	DLC2	DLC1	DLC0
Initial value :	Undefined	Undefined	Undefined	Undefined	Undefined	Undefined	Undefined	Undefined
Read/Write :	R/W	R/W	R/W	R/W	R/W	R/W	R/W	R/W

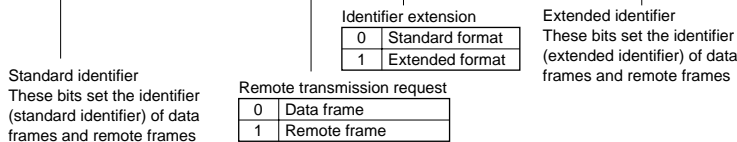
Data length code				
0	0	0	0	Data length = 0 bytes
		1	0	Data length = 1 byte
1	0	0	0	Data length = 2 bytes
		1	0	Data length = 3 bytes
1	1	0	0	Data length = 4 bytes
		1	0	Data length = 5 bytes
		0	0	Data length = 6 bytes
1	0/1	0/1	0/1	Data length = 7 bytes
		0/1	0/1	Data length = 8 bytes

MCx[2] Bit :	7	6	5	4	3	2	1	0
	—	—	—	—	—	—	—	—
Initial value :	Undefined	Undefined	Undefined	Undefined	Undefined	Undefined	Undefined	Undefined
Read/Write :	R/W	R/W	R/W	R/W	R/W	R/W	R/W	R/W

MCx[3] Bit :	7	6	5	4	3	2	1	0
	—	—	—	—	—	—	—	—
Initial value :	Undefined	Undefined	Undefined	Undefined	Undefined	Undefined	Undefined	Undefined
Read/Write :	R/W	R/W	R/W	R/W	R/W	R/W	R/W	R/W

MCx[4] Bit :	7	6	5	4	3	2	1	0
	—	—	—	—	—	—	—	—
Initial value :	Undefined	Undefined	Undefined	Undefined	Undefined	Undefined	Undefined	Undefined
Read/Write :	R/W	R/W	R/W	R/W	R/W	R/W	R/W	R/W

MCx[5] Bit :	7	6	5	4	3	2	1	0
	STD_ID2	STD_ID1	STD_ID0	RTR	IDE	—	EXD_ID17	EXD_ID16
Initial value :	Undefined	Undefined	Undefined	Undefined	Undefined	Undefined	Undefined	Undefined
Read/Write :	R/W	R/W	R/W	R/W	R/W	R/W	R/W	R/W



MCx[6] Bit :	7	6	5	4	3	2	1	0
	STD_ID10	STD_ID9	STD_ID8	STD_ID7	STD_ID6	STD_ID5	STD_ID4	STD_ID3
Initial value :	Undefined	Undefined	Undefined	Undefined	Undefined	Undefined	Undefined	Undefined
Read/Write :	R/W	R/W	R/W	R/W	R/W	R/W	R/W	R/W

Standard identifier  
These bits set the identifier (standard identifier) of data frames and remote frames

MCx[7] Bit :	7	6	5	4	3	2	1	0
	EXD_ID7	EXD_ID6	EXD_ID5	EXD_ID4	EXD_ID3	EXD_ID2	EXD_ID1	EXD_ID0
Initial value :	Undefined	Undefined	Undefined	Undefined	Undefined	Undefined	Undefined	Undefined
Read/Write :	R/W	R/W	R/W	R/W	R/W	R/W	R/W	R/W

MCx[8] Bit :	7	6	5	4	3	2	1	0
	EXD_ID15	EXD_ID14	EXD_ID13	EXD_ID12	EXD_ID11	EXD_ID10	EXD_ID9	EXD_ID8
Initial value :	Undefined	Undefined	Undefined	Undefined	Undefined	Undefined	Undefined	Undefined
Read/Write :	R/W	R/W	R/W	R/W	R/W	R/W	R/W	R/W

Extended identifier  
These bits set the identifier (extended identifier) of data frames and remote frames

x = 8



MCx[1] Bit :	7	6	5	4	3	2	1	0
	—	—	—	—	DLC3	DLC2	DLC1	DLC0
Initial value :	Undefined	Undefined	Undefined	Undefined	Undefined	Undefined	Undefined	Undefined
Read/Write :	R/W	R/W	R/W	R/W	R/W	R/W	R/W	R/W

Data length code

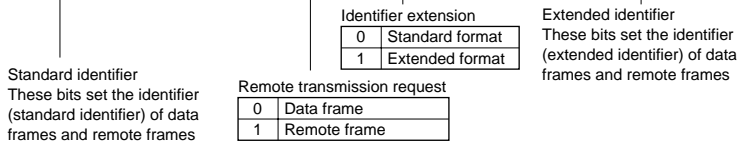
0	0	0	0	Data length = 0 bytes	
		1	0	Data length = 1 byte	
		0	1	Data length = 2 bytes	
		1	1	Data length = 3 bytes	
	1	0	0	0	Data length = 4 bytes
			1	0	Data length = 5 bytes
		1	0	1	Data length = 6 bytes
			1	1	Data length = 7 bytes
1	0/1	0/1	0/1	Data length = 8 bytes	

MCx[2] Bit :	7	6	5	4	3	2	1	0
	—	—	—	—	—	—	—	—
Initial value :	Undefined	Undefined	Undefined	Undefined	Undefined	Undefined	Undefined	Undefined
Read/Write :	R/W	R/W	R/W	R/W	R/W	R/W	R/W	R/W

MCx[3] Bit :	7	6	5	4	3	2	1	0
	—	—	—	—	—	—	—	—
Initial value :	Undefined	Undefined	Undefined	Undefined	Undefined	Undefined	Undefined	Undefined
Read/Write :	R/W	R/W	R/W	R/W	R/W	R/W	R/W	R/W

MCx[4] Bit :	7	6	5	4	3	2	1	0
	—	—	—	—	—	—	—	—
Initial value :	Undefined	Undefined	Undefined	Undefined	Undefined	Undefined	Undefined	Undefined
Read/Write :	R/W	R/W	R/W	R/W	R/W	R/W	R/W	R/W

MCx[5] Bit :	7	6	5	4	3	2	1	0
	STD_ID2	STD_ID1	STD_ID0	RTR	IDE	—	EXD_ID17	EXD_ID16
Initial value :	Undefined	Undefined	Undefined	Undefined	Undefined	Undefined	Undefined	Undefined
Read/Write :	R/W	R/W	R/W	R/W	R/W	R/W	R/W	R/W



MCx[6] Bit :	7	6	5	4	3	2	1	0
	STD_ID10	STD_ID9	STD_ID8	STD_ID7	STD_ID6	STD_ID5	STD_ID4	STD_ID3
Initial value :	Undefined	Undefined	Undefined	Undefined	Undefined	Undefined	Undefined	Undefined
Read/Write :	R/W	R/W	R/W	R/W	R/W	R/W	R/W	R/W

Standard identifier  
These bits set the identifier (standard identifier) of data frames and remote frames

MCx[7] Bit :	7	6	5	4	3	2	1	0
	EXD_ID7	EXD_ID6	EXD_ID5	EXD_ID4	EXD_ID3	EXD_ID2	EXD_ID1	EXD_ID0
Initial value :	Undefined	Undefined	Undefined	Undefined	Undefined	Undefined	Undefined	Undefined
Read/Write :	R/W	R/W	R/W	R/W	R/W	R/W	R/W	R/W

MCx[8] Bit :	7	6	5	4	3	2	1	0
	EXD_ID15	EXD_ID14	EXD_ID13	EXD_ID12	EXD_ID11	EXD_ID10	EXD_ID9	EXD_ID8
Initial value :	Undefined	Undefined	Undefined	Undefined	Undefined	Undefined	Undefined	Undefined
Read/Write :	R/W	R/W	R/W	R/W	R/W	R/W	R/W	R/W

Extended identifier  
These bits set the identifier (extended identifier) of data frames and remote frames  
x = 9

MCx[1] Bit :	7	6	5	4	3	2	1	0
	—	—	—	—	DLC3	DLC2	DLC1	DLC0
Initial value :	Undefined	Undefined	Undefined	Undefined	Undefined	Undefined	Undefined	Undefined
Read/Write :	R/W	R/W	R/W	R/W	R/W	R/W	R/W	R/W

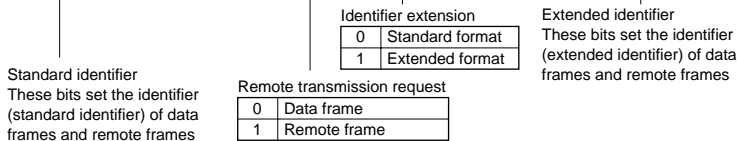
Data length code				
0	0	0	Data length = 0 bytes	
		1	Data length = 1 byte	
	1	0	Data length = 2 bytes	
		1	Data length = 3 bytes	
1	0	0	Data length = 4 bytes	
		1	Data length = 5 bytes	
		0	Data length = 6 bytes	
	1	0	Data length = 7 bytes	
		1	Data length = 8 bytes	
1	0/1	0/1	0/1	Data length = 8 bytes

MCx[2] Bit :	7	6	5	4	3	2	1	0
	—	—	—	—	—	—	—	—
Initial value :	Undefined	Undefined	Undefined	Undefined	Undefined	Undefined	Undefined	Undefined
Read/Write :	R/W	R/W	R/W	R/W	R/W	R/W	R/W	R/W

MCx[3] Bit :	7	6	5	4	3	2	1	0
	—	—	—	—	—	—	—	—
Initial value :	Undefined	Undefined	Undefined	Undefined	Undefined	Undefined	Undefined	Undefined
Read/Write :	R/W	R/W	R/W	R/W	R/W	R/W	R/W	R/W

MCx[4] Bit :	7	6	5	4	3	2	1	0
	—	—	—	—	—	—	—	—
Initial value :	Undefined	Undefined	Undefined	Undefined	Undefined	Undefined	Undefined	Undefined
Read/Write :	R/W	R/W	R/W	R/W	R/W	R/W	R/W	R/W

MCx[5] Bit :	7	6	5	4	3	2	1	0
	STD_ID2	STD_ID1	STD_ID0	RTR	IDE	—	EXD_ID17	EXD_ID16
Initial value :	Undefined	Undefined	Undefined	Undefined	Undefined	Undefined	Undefined	Undefined
Read/Write :	R/W	R/W	R/W	R/W	R/W	R/W	R/W	R/W



MCx[6] Bit :	7	6	5	4	3	2	1	0
	STD_ID10	STD_ID9	STD_ID8	STD_ID7	STD_ID6	STD_ID5	STD_ID4	STD_ID3
Initial value :	Undefined	Undefined	Undefined	Undefined	Undefined	Undefined	Undefined	Undefined
Read/Write :	R/W	R/W	R/W	R/W	R/W	R/W	R/W	R/W

Standard identifier  
These bits set the identifier (standard identifier) of data frames and remote frames

MCx[7] Bit :	7	6	5	4	3	2	1	0
	EXD_ID7	EXD_ID6	EXD_ID5	EXD_ID4	EXD_ID3	EXD_ID2	EXD_ID1	EXD_ID0
Initial value :	Undefined	Undefined	Undefined	Undefined	Undefined	Undefined	Undefined	Undefined
Read/Write :	R/W	R/W	R/W	R/W	R/W	R/W	R/W	R/W

MCx[8] Bit :	7	6	5	4	3	2	1	0
	EXD_ID15	EXD_ID14	EXD_ID13	EXD_ID12	EXD_ID11	EXD_ID10	EXD_ID9	EXD_ID8
Initial value :	Undefined	Undefined	Undefined	Undefined	Undefined	Undefined	Undefined	Undefined
Read/Write :	R/W	R/W	R/W	R/W	R/W	R/W	R/W	R/W

Extended identifier  
These bits set the identifier (extended identifier) of data frames and remote frames

x = 10

MCx[1] Bit :

7	6	5	4	3	2	1	0
—	—	—	—	DLC3	DLC2	DLC1	DLC0
Undefined	Undefined	Undefined	Undefined	Undefined	Undefined	Undefined	Undefined
R/W	R/W	R/W	R/W	R/W	R/W	R/W	R/W

Data length code

0	0	0	0	Data length = 0 bytes	
		1	0	Data length = 1 byte	
		0	1	Data length = 2 bytes	
		1	1	Data length = 3 bytes	
	1	0	0	0	Data length = 4 bytes
			1	0	Data length = 5 bytes
		1	0	1	Data length = 6 bytes
			1	1	Data length = 7 bytes
1	0/1	0/1	0/1	Data length = 8 bytes	

MCx[2] Bit :

7	6	5	4	3	2	1	0
—	—	—	—	—	—	—	—
Undefined	Undefined	Undefined	Undefined	Undefined	Undefined	Undefined	Undefined
R/W	R/W	R/W	R/W	R/W	R/W	R/W	R/W

MCx[3] Bit :

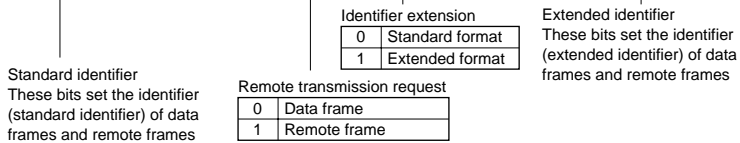
7	6	5	4	3	2	1	0
—	—	—	—	—	—	—	—
Undefined	Undefined	Undefined	Undefined	Undefined	Undefined	Undefined	Undefined
R/W	R/W	R/W	R/W	R/W	R/W	R/W	R/W

MCx[4] Bit :

7	6	5	4	3	2	1	0
—	—	—	—	—	—	—	—
Undefined	Undefined	Undefined	Undefined	Undefined	Undefined	Undefined	Undefined
R/W	R/W	R/W	R/W	R/W	R/W	R/W	R/W

MCx[5] Bit :

7	6	5	4	3	2	1	0
STD_ID2	STD_ID1	STD_ID0	RTR	IDE	—	EXD_ID17	EXD_ID16
Undefined	Undefined	Undefined	Undefined	Undefined	Undefined	Undefined	Undefined
R/W	R/W	R/W	R/W	R/W	R/W	R/W	R/W



MCx[6] Bit :

7	6	5	4	3	2	1	0
STD_ID10	STD_ID9	STD_ID8	STD_ID7	STD_ID6	STD_ID5	STD_ID4	STD_ID3
Undefined	Undefined	Undefined	Undefined	Undefined	Undefined	Undefined	Undefined
R/W	R/W	R/W	R/W	R/W	R/W	R/W	R/W

Standard identifier —  
 These bits set the identifier (standard identifier) of data frames and remote frames

MCx[7] Bit :

7	6	5	4	3	2	1	0
EXD_ID7	EXD_ID6	EXD_ID5	EXD_ID4	EXD_ID3	EXD_ID2	EXD_ID1	EXD_ID0
Undefined	Undefined	Undefined	Undefined	Undefined	Undefined	Undefined	Undefined
R/W	R/W	R/W	R/W	R/W	R/W	R/W	R/W

MCx[8] Bit :

7	6	5	4	3	2	1	0
EXD_ID15	EXD_ID14	EXD_ID13	EXD_ID12	EXD_ID11	EXD_ID10	EXD_ID9	EXD_ID8
Undefined	Undefined	Undefined	Undefined	Undefined	Undefined	Undefined	Undefined
R/W	R/W	R/W	R/W	R/W	R/W	R/W	R/W

Extended identifier —  
 These bits set the identifier (extended identifier) of data frames and remote frames

x = 11

MCx[1] Bit :	7	6	5	4	3	2	1	0
	—	—	—	—	DLC3	DLC2	DLC1	DLC0
Initial value :	Undefined	Undefined	Undefined	Undefined	Undefined	Undefined	Undefined	Undefined
Read/Write :	R/W	R/W	R/W	R/W	R/W	R/W	R/W	R/W

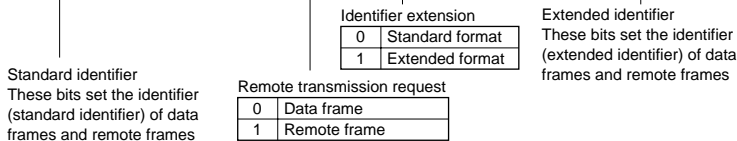
Data length code				
0	0	0	Data length = 0 bytes	
		1	Data length = 1 byte	
	1	0	Data length = 2 bytes	
		1	Data length = 3 bytes	
1	0	0	Data length = 4 bytes	
		1	Data length = 5 bytes	
		0	Data length = 6 bytes	
	1	0	Data length = 7 bytes	
		1	Data length = 8 bytes	
1	0/1	0/1	0/1	Data length = 8 bytes

MCx[2] Bit :	7	6	5	4	3	2	1	0
	—	—	—	—	—	—	—	—
Initial value :	Undefined	Undefined	Undefined	Undefined	Undefined	Undefined	Undefined	Undefined
Read/Write :	R/W	R/W	R/W	R/W	R/W	R/W	R/W	R/W

MCx[3] Bit :	7	6	5	4	3	2	1	0
	—	—	—	—	—	—	—	—
Initial value :	Undefined	Undefined	Undefined	Undefined	Undefined	Undefined	Undefined	Undefined
Read/Write :	R/W	R/W	R/W	R/W	R/W	R/W	R/W	R/W

MCx[4] Bit :	7	6	5	4	3	2	1	0
	—	—	—	—	—	—	—	—
Initial value :	Undefined	Undefined	Undefined	Undefined	Undefined	Undefined	Undefined	Undefined
Read/Write :	R/W	R/W	R/W	R/W	R/W	R/W	R/W	R/W

MCx[5] Bit :	7	6	5	4	3	2	1	0
	STD_ID2	STD_ID1	STD_ID0	RTR	IDE	—	EXD_ID17	EXD_ID16
Initial value :	Undefined	Undefined	Undefined	Undefined	Undefined	Undefined	Undefined	Undefined
Read/Write :	R/W	R/W	R/W	R/W	R/W	R/W	R/W	R/W



MCx[6] Bit :	7	6	5	4	3	2	1	0
	STD_ID10	STD_ID9	STD_ID8	STD_ID7	STD_ID6	STD_ID5	STD_ID4	STD_ID3
Initial value :	Undefined	Undefined	Undefined	Undefined	Undefined	Undefined	Undefined	Undefined
Read/Write :	R/W	R/W	R/W	R/W	R/W	R/W	R/W	R/W

Standard identifier  
These bits set the identifier (standard identifier) of data frames and remote frames

MCx[7] Bit :	7	6	5	4	3	2	1	0
	EXD_ID7	EXD_ID6	EXD_ID5	EXD_ID4	EXD_ID3	EXD_ID2	EXD_ID1	EXD_ID0
Initial value :	Undefined	Undefined	Undefined	Undefined	Undefined	Undefined	Undefined	Undefined
Read/Write :	R/W	R/W	R/W	R/W	R/W	R/W	R/W	R/W

MCx[8] Bit :	7	6	5	4	3	2	1	0
	EXD_ID15	EXD_ID14	EXD_ID13	EXD_ID12	EXD_ID11	EXD_ID10	EXD_ID9	EXD_ID8
Initial value :	Undefined	Undefined	Undefined	Undefined	Undefined	Undefined	Undefined	Undefined
Read/Write :	R/W	R/W	R/W	R/W	R/W	R/W	R/W	R/W

Extended identifier  
These bits set the identifier (extended identifier) of data frames and remote frames

x = 12

MCx[1] Bit :

7	6	5	4	3	2	1	0
—	—	—	—	DLC3	DLC2	DLC1	DLC0
Undefined	Undefined	Undefined	Undefined	Undefined	Undefined	Undefined	Undefined
R/W	R/W	R/W	R/W	R/W	R/W	R/W	R/W

Data length code

0	0	0	0	Data length = 0 bytes	
		1	0	Data length = 1 byte	
		0	1	Data length = 2 bytes	
		1	1	Data length = 3 bytes	
	1	0	0	0	Data length = 4 bytes
			1	0	Data length = 5 bytes
		1	0	1	Data length = 6 bytes
			1	1	Data length = 7 bytes
1	0/1	0/1	0/1	Data length = 8 bytes	

MCx[2] Bit :

7	6	5	4	3	2	1	0
—	—	—	—	—	—	—	—
Undefined	Undefined	Undefined	Undefined	Undefined	Undefined	Undefined	Undefined
R/W	R/W	R/W	R/W	R/W	R/W	R/W	R/W

MCx[3] Bit :

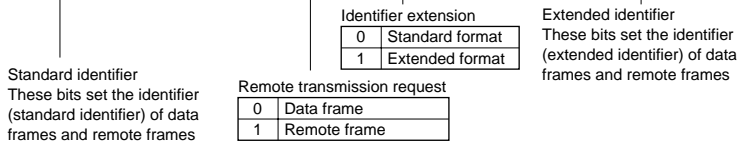
7	6	5	4	3	2	1	0
—	—	—	—	—	—	—	—
Undefined	Undefined	Undefined	Undefined	Undefined	Undefined	Undefined	Undefined
R/W	R/W	R/W	R/W	R/W	R/W	R/W	R/W

MCx[4] Bit :

7	6	5	4	3	2	1	0
—	—	—	—	—	—	—	—
Undefined	Undefined	Undefined	Undefined	Undefined	Undefined	Undefined	Undefined
R/W	R/W	R/W	R/W	R/W	R/W	R/W	R/W

MCx[5] Bit :

7	6	5	4	3	2	1	0
STD_ID2	STD_ID1	STD_ID0	RTR	IDE	—	EXD_ID17	EXD_ID16
Undefined	Undefined	Undefined	Undefined	Undefined	Undefined	Undefined	Undefined
R/W	R/W	R/W	R/W	R/W	R/W	R/W	R/W



MCx[6] Bit :

7	6	5	4	3	2	1	0
STD_ID10	STD_ID9	STD_ID8	STD_ID7	STD_ID6	STD_ID5	STD_ID4	STD_ID3
Undefined	Undefined	Undefined	Undefined	Undefined	Undefined	Undefined	Undefined
R/W	R/W	R/W	R/W	R/W	R/W	R/W	R/W

Standard identifier  
These bits set the identifier (standard identifier) of data frames and remote frames

MCx[7] Bit :

7	6	5	4	3	2	1	0
EXD_ID7	EXD_ID6	EXD_ID5	EXD_ID4	EXD_ID3	EXD_ID2	EXD_ID1	EXD_ID0
Undefined	Undefined	Undefined	Undefined	Undefined	Undefined	Undefined	Undefined
R/W	R/W	R/W	R/W	R/W	R/W	R/W	R/W

MCx[8] Bit :

7	6	5	4	3	2	1	0
EXD_ID15	EXD_ID14	EXD_ID13	EXD_ID12	EXD_ID11	EXD_ID10	EXD_ID9	EXD_ID8
Undefined	Undefined	Undefined	Undefined	Undefined	Undefined	Undefined	Undefined
R/W	R/W	R/W	R/W	R/W	R/W	R/W	R/W

Extended identifier  
These bits set the identifier (extended identifier) of data frames and remote frames

x = 13

MCx[1] Bit :	7	6	5	4	3	2	1	0
	—	—	—	—	DLC3	DLC2	DLC1	DLC0
Initial value :	Undefined	Undefined	Undefined	Undefined	Undefined	Undefined	Undefined	Undefined
Read/Write :	R/W	R/W	R/W	R/W	R/W	R/W	R/W	R/W

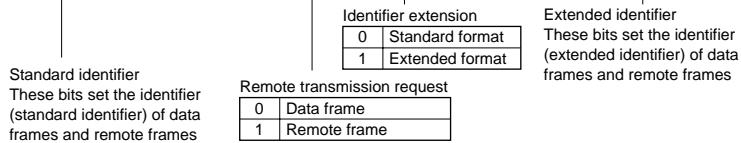
Data length code				
0	0	0	0	Data length = 0 bytes
		1	0	Data length = 1 byte
1	0	0	0	Data length = 2 bytes
		1	0	Data length = 3 bytes
1	1	0	0	Data length = 4 bytes
		1	0	Data length = 5 bytes
		0	0	Data length = 6 bytes
1	0/1	0/1	0/1	Data length = 7 bytes
		0/1	0/1	Data length = 8 bytes

MCx[2] Bit :	7	6	5	4	3	2	1	0
	—	—	—	—	—	—	—	—
Initial value :	Undefined	Undefined	Undefined	Undefined	Undefined	Undefined	Undefined	Undefined
Read/Write :	R/W	R/W	R/W	R/W	R/W	R/W	R/W	R/W

MCx[3] Bit :	7	6	5	4	3	2	1	0
	—	—	—	—	—	—	—	—
Initial value :	Undefined	Undefined	Undefined	Undefined	Undefined	Undefined	Undefined	Undefined
Read/Write :	R/W	R/W	R/W	R/W	R/W	R/W	R/W	R/W

MCx[4] Bit :	7	6	5	4	3	2	1	0
	—	—	—	—	—	—	—	—
Initial value :	Undefined	Undefined	Undefined	Undefined	Undefined	Undefined	Undefined	Undefined
Read/Write :	R/W	R/W	R/W	R/W	R/W	R/W	R/W	R/W

MCx[5] Bit :	7	6	5	4	3	2	1	0
	STD_ID2	STD_ID1	STD_ID0	RTR	IDE	—	EXD_ID17	EXD_ID16
Initial value :	Undefined	Undefined	Undefined	Undefined	Undefined	Undefined	Undefined	Undefined
Read/Write :	R/W	R/W	R/W	R/W	R/W	R/W	R/W	R/W



MCx[6] Bit :	7	6	5	4	3	2	1	0
	STD_ID10	STD_ID9	STD_ID8	STD_ID7	STD_ID6	STD_ID5	STD_ID4	STD_ID3
Initial value :	Undefined	Undefined	Undefined	Undefined	Undefined	Undefined	Undefined	Undefined
Read/Write :	R/W	R/W	R/W	R/W	R/W	R/W	R/W	R/W

Standard identifier  
These bits set the identifier (standard identifier) of data frames and remote frames

MCx[7] Bit :	7	6	5	4	3	2	1	0
	EXD_ID7	EXD_ID6	EXD_ID5	EXD_ID4	EXD_ID3	EXD_ID2	EXD_ID1	EXD_ID0
Initial value :	Undefined	Undefined	Undefined	Undefined	Undefined	Undefined	Undefined	Undefined
Read/Write :	R/W	R/W	R/W	R/W	R/W	R/W	R/W	R/W

MCx[8] Bit :	7	6	5	4	3	2	1	0
	EXD_ID15	EXD_ID14	EXD_ID13	EXD_ID12	EXD_ID11	EXD_ID10	EXD_ID9	EXD_ID8
Initial value :	Undefined	Undefined	Undefined	Undefined	Undefined	Undefined	Undefined	Undefined
Read/Write :	R/W	R/W	R/W	R/W	R/W	R/W	R/W	R/W

Extended identifier  
These bits set the identifier (extended identifier) of data frames and remote frames

x = 14

MCx[1] Bit :

7	6	5	4	3	2	1	0
—	—	—	—	DLC3	DLC2	DLC1	DLC0
Undefined	Undefined	Undefined	Undefined	Undefined	Undefined	Undefined	Undefined
R/W	R/W	R/W	R/W	R/W	R/W	R/W	R/W

Data length code

0	0	0	Data length = 0 bytes	
		1	Data length = 1 byte	
		0	Data length = 2 bytes	
		1	Data length = 3 bytes	
	1	0	0	Data length = 4 bytes
			1	Data length = 5 bytes
		1	0	Data length = 6 bytes
			1	Data length = 7 bytes
1	0/1	0/1	0/1	Data length = 8 bytes

MCx[2] Bit :

7	6	5	4	3	2	1	0
—	—	—	—	—	—	—	—
Undefined	Undefined	Undefined	Undefined	Undefined	Undefined	Undefined	Undefined
R/W	R/W	R/W	R/W	R/W	R/W	R/W	R/W

MCx[3] Bit :

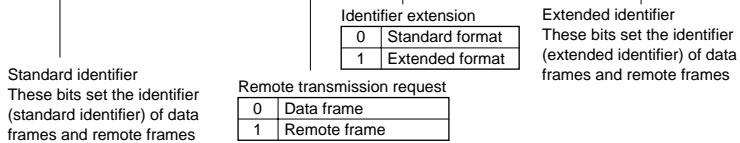
7	6	5	4	3	2	1	0
—	—	—	—	—	—	—	—
Undefined	Undefined	Undefined	Undefined	Undefined	Undefined	Undefined	Undefined
R/W	R/W	R/W	R/W	R/W	R/W	R/W	R/W

MCx[4] Bit :

7	6	5	4	3	2	1	0
—	—	—	—	—	—	—	—
Undefined	Undefined	Undefined	Undefined	Undefined	Undefined	Undefined	Undefined
R/W	R/W	R/W	R/W	R/W	R/W	R/W	R/W

MCx[5] Bit :

7	6	5	4	3	2	1	0
STD_ID2	STD_ID1	STD_ID0	RTR	IDE	—	EXD_ID17	EXD_ID16
Undefined	Undefined	Undefined	Undefined	Undefined	Undefined	Undefined	Undefined
R/W	R/W	R/W	R/W	R/W	R/W	R/W	R/W



MCx[6] Bit :

7	6	5	4	3	2	1	0
STD_ID10	STD_ID9	STD_ID8	STD_ID7	STD_ID6	STD_ID5	STD_ID4	STD_ID3
Undefined	Undefined	Undefined	Undefined	Undefined	Undefined	Undefined	Undefined
R/W	R/W	R/W	R/W	R/W	R/W	R/W	R/W

Standard identifier  
These bits set the identifier (standard identifier) of data frames and remote frames

MCx[7] Bit :

7	6	5	4	3	2	1	0
EXD_ID7	EXD_ID6	EXD_ID5	EXD_ID4	EXD_ID3	EXD_ID2	EXD_ID1	EXD_ID0
Undefined	Undefined	Undefined	Undefined	Undefined	Undefined	Undefined	Undefined
R/W	R/W	R/W	R/W	R/W	R/W	R/W	R/W

MCx[8] Bit :

7	6	5	4	3	2	1	0
EXD_ID15	EXD_ID14	EXD_ID13	EXD_ID12	EXD_ID11	EXD_ID10	EXD_ID9	EXD_ID8
Undefined	Undefined	Undefined	Undefined	Undefined	Undefined	Undefined	Undefined
R/W	R/W	R/W	R/W	R/W	R/W	R/W	R/W

Extended identifier  
These bits set the identifier (extended identifier) of data frames and remote frames  
x = 15

MD0—Message Data	H'F8B0	HCAN
MD1—Message Data	H'F8B8	HCAN
MD2—Message Data	H'F8C0	HCAN
MD3—Message Data	H'F8C8	HCAN
MD4—Message Data	H'F8D0	HCAN
MD5—Message Data	H'F8D8	HCAN
MD6—Message Data	H'F8E0	HCAN
MD7—Message Data	H'F8E8	HCAN
MD8—Message Data	H'F8F0	HCAN
MD9—Message Data	H'F8F8	HCAN
MD10—Message Data	H'F900	HCAN
MD11—Message Data	H'F908	HCAN
MD12—Message Data	H'F910	HCAN
MD13—Message Data	H'F918	HCAN
MD14—Message Data	H'F920	HCAN
MD15—Message Data	H'F928	HCAN

### MDx [1]

Bit:	7	6	5	4	3	2	1	0
	<input type="checkbox"/>	<input type="checkbox"/>	<input type="checkbox"/>	<input type="checkbox"/>	<input type="checkbox"/>	<input type="checkbox"/>	<input type="checkbox"/>	<input type="checkbox"/>
Initial value:	*	*	*	*	*	*	*	*
Read/Write:	R/W	R/W	R/W	R/W	R/W	R/W	R/W	R/W

### MDx [2]

Bit:	7	6	5	4	3	2	1	0
	<input type="checkbox"/>	<input type="checkbox"/>	<input type="checkbox"/>	<input type="checkbox"/>	<input type="checkbox"/>	<input type="checkbox"/>	<input type="checkbox"/>	<input type="checkbox"/>
Initial value:	*	*	*	*	*	*	*	*
Read/Write:	R/W	R/W	R/W	R/W	R/W	R/W	R/W	R/W

### MDx [3]

Bit:	7	6	5	4	3	2	1	0
	<input type="checkbox"/>	<input type="checkbox"/>	<input type="checkbox"/>	<input type="checkbox"/>	<input type="checkbox"/>	<input type="checkbox"/>	<input type="checkbox"/>	<input type="checkbox"/>
Initial value:	*	*	*	*	*	*	*	*
Read/Write:	R/W	R/W	R/W	R/W	R/W	R/W	R/W	R/W



**MDx [4]**

Bit:	7	6	5	4	3	2	1	0
	<input type="checkbox"/>	<input type="checkbox"/>	<input type="checkbox"/>	<input type="checkbox"/>	<input type="checkbox"/>	<input type="checkbox"/>	<input type="checkbox"/>	<input type="checkbox"/>
Initial value:	*	*	*	*	*	*	*	*
Read/Write:	R/W	R/W	R/W	R/W	R/W	R/W	R/W	R/W

**MDx [5]**

Bit:	7	6	5	4	3	2	1	0
	<input type="checkbox"/>	<input type="checkbox"/>	<input type="checkbox"/>	<input type="checkbox"/>	<input type="checkbox"/>	<input type="checkbox"/>	<input type="checkbox"/>	<input type="checkbox"/>
Initial value:	*	*	*	*	*	*	*	*
Read/Write:	R/W	R/W	R/W	R/W	R/W	R/W	R/W	R/W

**MDx [6]**

Bit:	7	6	5	4	3	2	1	0
	<input type="checkbox"/>	<input type="checkbox"/>	<input type="checkbox"/>	<input type="checkbox"/>	<input type="checkbox"/>	<input type="checkbox"/>	<input type="checkbox"/>	<input type="checkbox"/>
Initial value:	*	*	*	*	*	*	*	*
Read/Write:	R/W	R/W	R/W	R/W	R/W	R/W	R/W	R/W

**MDx [7]**

Bit:	7	6	5	4	3	2	1	0
	<input type="checkbox"/>	<input type="checkbox"/>	<input type="checkbox"/>	<input type="checkbox"/>	<input type="checkbox"/>	<input type="checkbox"/>	<input type="checkbox"/>	<input type="checkbox"/>
Initial value:	*	*	*	*	*	*	*	*
Read/Write:	R/W	R/W	R/W	R/W	R/W	R/W	R/W	R/W

**MDx [8]**

Bit:	7	6	5	4	3	2	1	0
	<input type="checkbox"/>	<input type="checkbox"/>	<input type="checkbox"/>	<input type="checkbox"/>	<input type="checkbox"/>	<input type="checkbox"/>	<input type="checkbox"/>	<input type="checkbox"/>
Initial value:	*	*	*	*	*	*	*	*
Read/Write:	R/W	R/W	R/W	R/W	R/W	R/W	R/W	R/W

\*:Undefined  
x = 0 to 15

**DADR2—D/A Data Register 2****H'FDAC****D/A2****DADR3—D/A Data Register 3****H'FDAD****D/A3**

Bit	:	7	6	5	4	3	2	1	0

Initial value : 0 0 0 0 0 0 0 0

Read/Write : R/W R/W R/W R/W R/W R/W R/W R/W

**DACR23—D/A Control Register 23****H'FDAE****D/A2, 3**

Bit	:	7	6	5	4	3	2	1	0
		DAOE1	DAOE0	DAE	—	—	—	—	—

Initial value : 0 0 0 1 1 1 1 1

Read/Write : R/W R/W R/W — — — —

D/A enable			Description
DAOE1	DAOE0	DAE	
0	0	*	Disables channel 2, 3 D/A conversion
		0	Enables channel 2 D/A conversion Disables channel 3 D/A conversion
	1	Enables channel 2, 3 D/A conversion	
1	0	0	Disables channel 2 D/A conversion Enables channel 3 D/A conversion
		1	Enables channel 2, 3 D/A conversion
	1	*	Enables channel 2, 3 D/A conversion

\*: Don't care

D/A output enable 0

0	Disables analog output DA2
1	Enables channel 2 D/A conversion. Also enables analog output DA2

D/A output enable 1

0	Disables analog output DA3
1	Enables channel 3 D/A conversion. Also enables analog output DA3

Bit	:	7	6	5	4	3	2	1	0
		—	—	—	—	FLSHE	—	—	—
Initial value :		0	0	0	0	0	0	0	0
Read/Write :		R/W	R/W	R/W	R/W	R/W	R/W	R/W	R/W

Flash memory control register enable

0	Area H'FFFFA8 to H'FFFFAC flash control registers are not selected
1	Area H'FFFFA8 to H'FFFFAC flash control registers are selected

SBYCR—Standby Control Register

Bit	:	7	6	5	4	3	2	1	0
		SSBY	STS2	STS1	STS0	OPE	—	—	—
Initial value :		0	0	0	0	1	0	0	0
Read/Write :		R/W	R/W	R/W	R/W	R/W	—	—	—

Output port enable

0	In software standby mode, address bus and bus control signals are high-impedance
1	In software standby mode, address bus and bus control signals retain their output state

Standby timer select

0	0	0	Standby time = 8192 states
		1	Standby time = 16384 states
	1	0	Standby time = 32768 states
		1	Standby time = 65536 states
1	0	0	Standby time = 131072 states
		1	Standby time = 262144 states
	1	0	Reserved
		1	Standby time = 16 states

Software standby

0	Transition to sleep mode after execution of SLEEP instruction
1	Transition to software standby mode after execution of SLEEP instruction

Bit	:	7	6	5	4	3	2	1	0
		MACS	—	INTM1	INTM0	NMIEG	—	—	RAME
Initial value :		0	0	0	0	0	0	0	1
Read/Write :		R/W	—	R/W	R/W	R/W	R/W	—	R/W

RAM enable

0	On-chip RAM is disabled
1	On-chip RAM is enabled

Note: When the DTC is used, the RAME bit must be set to 1.

NMI interrupt input edge select

0	Falling edge
1	Rising edge

Interrupt control mode select

0	0	Interrupt control mode 0
	1	Setting prohibited
1	0	Interrupt control mode 2
	1	Setting prohibited

Note: For details, see section 5.4.1 Interrupt Control Modes and Interrupt Operation.

Mac saturation

0	Non-saturating calculation for MAC instruction
1	Saturating calculation for MAC instruction

Bit	:	7	6	5	4	3	2	1	0
		PSTOP	—	—	—	STCS	SCK2	SCK1	SCK0
Initial value	:	0	0	0	0	0	0	0	0
Read/Write	:	R/W	—	—	—	R/W	R/W	R/W	R/W

Bus master clock select

0	0	0	Bus master is in high-speed mode
		1	Medium-speed clock is $\phi/2$
1	0	0	Medium-speed clock is $\phi/4$
		1	Medium-speed clock is $\phi/8$
1	0	1	Medium-speed clock is $\phi/16$
		1	Medium-speed clock is $\phi/32$
	1	—	—

Frequency multiplication factor switching mode select

0	Specified multiplication factor is valid after transition to software standby mode
1	Specified multiplication factor is valid immediately after STC bits are rewritten

$\phi$  clock output control

PSTOP	High-Speed Mode, Medium-Speed Mode, Sub-Active Mode*	Sleep Mode, Sub-Sleep Mode*	Software Standby Mode, Watch Mode*, Direct Transition*	Hardware Standby Mode
0	$\phi$ output	$\phi$ output	Fixed high	High impedance
1	Fixed high	Fixed high	Fixed high	High impedance

Note: \* Subclock functions (subactive mode, subsleep mode, and watch mode) and direct transition are not available in the H8S/2623 Series, but are available in the H8S/2626 Series.

Bit	7	6	5	4	3	2	1	0
	—	—	—	—	—	MDS2	MDS1	MDS0
Initial value :	1	0	0	0	0	—*	—*	—*
Read/Write :	R/W	—	—	—	—	R	R	R


  
 Current mode pin operating mode

Note: \* Determined by pins MD<sub>2</sub> to MD<sub>0</sub>.

**MSTPCRA—Module Stop Control Register**  
**MSTPCRB—Module Stop Control Register**  
**MSTPCRC—Module Stop Control Register**

**H'FDE8**  
**H'FDE9**  
**H'FDEA**

**Power-Down Modes**  
**Power-Down Modes**  
**Power-Down Modes**

**MSTPCRA**

Bit	7	6	5	4	3	2	1	0
	MSTPA7	MSTPA6	MSTPA5	MSTPA4	MSTPA3	MSTPA2	MSTPA1	MSTPA0
Initial value	0	0	1	1	1	1	1	1
Read/Write	R/W	R/W	R/W	R/W	R/W	R/W	R/W	R/W

**MSTPCRB**

Bit	7	6	5	4	3	2	1	0
	MSTPB7	MSTPB6	MSTPB5	MSTPB4	MSTPB3	MSTPB2	MSTPB1	MSTPB0
Initial value	1	1	1	1	1	1	1	1
Read/Write	R/W	R/W	R/W	R/W	R/W	R/W	R/W	R/W

**MSTPCRC**

Bit	7	6	5	4	3	2	1	0
	MSTPC7	MSTPC6	MSTPC5	MSTPC4	MSTPC3	MSTPC2	MSTPC1	MSTPC0
Initial value	1	1	1	1	1	1	1	1
Read/Write	R/W	R/W	R/W	R/W	R/W	R/W	R/W	R/W

Module stop mode specification

0	Module stop mode is cleared (initial value of MSTPA7 and MSTPA6)
1	Module stop mode is set (initial value of MSTPA5–0, MSTPB7–0, and MSTPC7–0)

MSTP bits and corresponding on-chip supporting modules

Register	Bit	Module
MSTPCRA	MSTPA7*	—
	MSTPA6	Data transfer controller (DTC)
	MSTPA5	16-bit timer pulse unit (TPU)
	MSTPA4*	—
	MSTPA3	Programmable pulse generator (PPG)
	MSTPA2*	—
	MSTPA1	A/D converter
	MSTPA0*	—
MSTPCRB	MSTPB7	Serial communication interface 0 (SCI0)
	MSTPB6	Serial communication interface 1 (SCI1)
	MSTPB5	Serial communication interface 2 (SCI2)
	MSTPB4*	—
	MSTPB3*	—
	MSTPB2*	—
	MSTPB1*	—
	MSTPB0*	—
MSTPCRC	MSTPC7*	—
	MSTPC6*	—
	MSTPC5	D/A converter (channels 2, 3)
	MSTPC4	PC break controller (PBC)
	MSTPC3	HCAN
	MSTPC2*	—
	MSTPC1*	—
	MSTPC0*	—

Notes: \* MSTPA7 is a readable/writable bit with an initial value of 0.  
MSTPA4, MSTPA2, MSTPA0, MSTPB4 to MSTPB0, MSTPC7 to MSTPC4, and MSTPC2 to  
MSTPC0 are readable/writable bits with an initial value of 1 and should always be written with 1.

Bit	:	7	6	5	4	3	2	1	0
		—	—	BUZZE	—	AE3	AE2	AE1	AE0
Initial value :		0	0	0*2	0	1/0*1	1/0*1	0	1/0*1
Read/Write :		R/W	R/W	R/W	R/W	R/W	R/W	R/W	R/W

## Address output enable

0	0	0	0	A8–A23 address output disabled
			1	A8 address output enabled; A9–A23 address output disabled
	1	0	0	A8, A9 address output enabled; A10–A23 address output disabled
			1	A8–A10 address output enabled; A11–A23 address output disabled
	1	0	0	A8–A11 address output enabled; A12–A23 address output disabled
			1	A8–A12 address output enabled; A13–A23 address output disabled
	1	0	0	A8–A13 address output enabled; A14–A23 address output disabled
			1	A8–A14 address output enabled; A15–A23 address output disabled
	1	0	0	A8–A15 address output enabled; A16–A23 address output disabled
			1	A8–A16 address output enabled; A17–A23 address output disabled
	1	0	0	A8–A17 address output enabled; A18–A23 address output disabled
			1	A8–A18 address output enabled; A19–A23 address output disabled
	1	0	0	A8–A19 address output enabled; A20–A23 address output disabled
			1	A8–A20 address output enabled; A21–A23 address output disabled
	1	0	0	A8–A21 address output enabled; A22, A23 address output disabled
			1	A8–A23 address output enabled

## BUZZ output enable

0	Functions as PF1 I/O pin
1	Functions as BUZZ output pin

Notes: \*1 In expanded mode with ROM, bits AE3 to AE0 are initialized to B'0000.

In ROMless expanded mode, bits AE3 to AE0 are initialized to B'1101.

Address pins A0 to A7 are made address outputs by setting the corresponding DDR bits to 1.

\*2 This bit is valid only in the H8S/2626 Series; in the H8S/2623 Series, 0 must be written to this bit.



Bit	:	7	6	5	4	3	2	1	0
		DTON	LSON	NESEL	SUBSTP	RFCUT	—	STC1	STC0
Initial value :		0	0	0	0	0	0	0	0
Read/Write :		R/W	R/W	R/W	R/W	R/W	R/W	R/W	R/W

Frequency multiplier

STC1	STC0	
0	0	× 1 (initial value)
	1	× 2
1	0	× 4
	1	Do not set

Note: A system clock frequency multiplied by the multiplication factor (STC1 and STC0) should not exceed the maximum operating frequency defined in section 22 Electrical Characteristics.

Oscillator circuit feedback resistor control bit

0	Feedback resistor ON when main clock operating; OFF when not operation
1	Feedback resistor OFF

Subclock enable

0	Subclock generation enabled
1	Subclock generation disabled

Note: This bit is valid only in the H8S/2626 Series; in the H8S/2623 Series, 0 must be written to this bit.

Noise elimination sampling frequency select

0	Sampling uses $\phi/32$ clock
1	Sampling uses $\phi/4$ clock

Note: This bit is valid only in the H8S/2626 Series; in the H8S/2623 Series, 0 must be written to this bit.

Low-speed ON flag

0	<ul style="list-style-type: none"> <li>When the SLEEP command is executed in high-speed mode or medium-speed mode, operation transfers to sleep mode, software standby mode, or watch mode*</li> <li>When the SLEEP command is executed in sub-active mode, operation transfers to watch mode, or directly to high-speed mode</li> <li>Operation transfers to high-speed mode after watch mode is canceled</li> </ul>
1	<ul style="list-style-type: none"> <li>When the SLEEP command is executed in high-speed mode, operation transfers to watch mode or sub-active mode</li> <li>When the SLEEP command is executed in sub-active mode, operation transfers to sub-sleep mode or watch mode</li> <li>Operation transfers to sub-active mode immediately watch mode is canceled</li> </ul>

Notes: This bit is valid only in the H8S/2626 Series; in the H8S/2623 Series, 0 must be written to this bit.  
\* Always select high-speed mode when transferring to watch mode or sub-active mode.

Direct transfer ON flag

0	<ul style="list-style-type: none"> <li>When the SLEEP command is executed in high-speed mode or medium-speed mode, operation transfers to sleep mode, software standby mode, or watch mode*</li> <li>When the SLEEP command is executed in sub-active mode, operation transfers to sub-sleep mode or watch mode</li> </ul>
1	<ul style="list-style-type: none"> <li>When the SLEEP command is executed in high-speed mode or medium-speed mode, operation transfers directly to sub-active mode, or transfers to sleep mode or software standby mode</li> <li>When the SLEEP command is executed in sub-active mode, operation transfers directly to high-speed mode or transfers to sub-sleep mode</li> </ul>

Notes: This bit is valid only in the H8S/2626 Series; in the H8S/2623 Series, 0 must be written to this bit.  
\* Always select high-speed mode when transferring to watch mode or sub-active mode.

**BARA—Break Address Register A**

**H'FE00**

**PBC**

**BARB—Break Address Register B**

**H'FE04**

**PBC**

Bit	:	31	...	24	23	22	21	20	19	18	17	16	...	7	6	5	4	3	2	1	0
		—	...	—	BAA 23	BAA 22	BAA 21	BAA 20	BAA 19	BAA 18	BAA 17	BAA 16	...	BAA 7	BAA 6	BAA 5	BAA 4	BAA 3	BAA 2	BAA 1	BAA 0
Initial value :		Unde- fined	...	Unde- fined	0	0	0	0	0	0	0	0	...	0	0	0	0	0	0	0	0
Read/Write :		—	...	—	R/W	R/W	R/W	R/W	R/W	R/W	R/W	R/W	...	R/W	R/W	R/W	R/W	R/W	R/W	R/W	R/W

|  
Break address specification

Bit	:	7	6	5	4	3	2	1	0
		CMFA	CDA	BAMRA2	BAMRA1	BAMRA0	CSELA1	CSELA0	BIEA
Initial value :		0	0	0	0	0	0	0	0
Read/Write :		R/(W)*	R/W	R/W	R/W	R/W	R/W	R/W	R/W

Break interrupt enable

0	PC break interrupts are disabled
1	PC break interrupts are enabled

Break condition select

0	0	Instruction fetch is used as break condition
	1	Data read cycle is used as break condition
1	0	Data write cycle is used as break condition
	1	Data read/write cycle is used as break condition

Break address mask register

0	0	0	All BARA bits are unmasked and included in break conditions
		1	BAA0 (lowest bit) is masked, and not included in break conditions
1	0	0	BAA1–0 (lower 2 bits) are masked, and not included in break conditions
		1	BAA2–0 (lower 3 bits) are masked, and not included in break conditions
1	0	0	BAA3–0 (lower 4 bits) are masked, and not included in break conditions
		1	BAA7–0 (lower 8 bits) are masked, and not included in break conditions
1	1	0	BAA11–0 (lower 12 bits) are masked, and not included in break conditions
		1	BAA15–0 (lower 16 bits) are masked, and not included in break conditions

CPU cycle/DTC cycle select A

0	PC break is performed when CPU is bus master
1	PC break is performed when CPU or DTC is bus master

Condition match flag

0	[Clearing condition] When 0 is written to CMFA after reading CMFA = 1
1	[Setting condition] When a condition set for channel A is satisfied

Notes: The bit configuration of BCRB is the same as that of BCRA, except that BCRB performs break control for channel B.

\* Can only be written with 0 for flag clearing.

**ISCRH—IRQ Sense Control Register H**  
**ISCR L—IRQ Sense Control Register L**

**H'FE12**  
**H'FE13**

**Interrupt Controller**  
**Interrupt Controller**

**ISCRH**

Bit	:	15	14	13	12	11	10	9	8
		—	—	—	—	IRQ5SCB	IRQ5SCA	IRQ4SCB	IRQ4SCA
Initial value :		0	0	0	0	0	0	0	0
Read/Write :		R/W	R/W	R/W	R/W	R/W	R/W	R/W	R/W

|  
 IRQ5 and IRQ4 sense control

**ISCR L**

Bit	:	7	6	5	4	3	2	1	0
		IRQ3SCB	IRQ3SCA	IRQ2SCB	IRQ2SCA	IRQ1SCB	IRQ1SCA	IRQ0SCB	IRQ0SCA
Initial value :		0	0	0	0	0	0	0	0
Read/Write :		R/W	R/W	R/W	R/W	R/W	R/W	R/W	R/W

|  
 IRQ3 to IRQ0 sense control

IRQnSCB	IRQnSCA	Interrupt Request Generation
0	0	Low level of $\overline{\text{IRQn}}$ input
	1	Falling edge of $\overline{\text{IRQn}}$ input
1	0	Rising edge of $\overline{\text{IRQn}}$ input
	1	Rising and falling edges of $\overline{\text{IRQn}}$ input

(n = 5 to 0)

**IER—IRQ Enable Register**

**H'FE14**

**Interrupt Controller**

Bit	:	7	6	5	4	3	2	1	0
		—	—	IRQ5E	IRQ4E	IRQ3E	IRQ2E	IRQ1E	IRQ0E
Initial value :		0	0	0	0	0	0	0	0
Read/Write :		R/W	R/W	R/W	R/W	R/W	R/W	R/W	R/W

|  
 IRQn enable

0	IRQn interrupt is disabled
1	IRQn interrupt is enabled

(n = 5 to 0)

Bit	:	7	6	5	4	3	2	1	0
		—	—	IRQ5F	IRQ4F	IRQ3F	IRQ2F	IRQ1F	IRQ0F
Initial value :		0	0	0	0	0	0	0	0
Read/Write :		R/(W)*	R/(W)*	R/(W)*	R/(W)*	R/(W)*	R/(W)*	R/(W)*	R/(W)*

## IRQ5 to IRQ0 interrupt request status indication

0	<p>[Clearing conditions]</p> <ul style="list-style-type: none"> <li>• Cleared by reading IRQnF flag when <math>IRQnF = 1</math>, then writing 0 to IRQnF flag</li> <li>• When interrupt exception handling is executed when low-level detection is set (<math>IRQnSCB = IRQnSCA = 0</math>) and <math>\overline{IRQn}</math> input is high</li> <li>• When IRQn interrupt exception handling is executed when falling, rising, or both-edge detection is set (<math>IRQnSCB = 1</math> or <math>IRQnSCA = 1</math>)</li> <li>• When the DTC is activated by an IRQn interrupt, and the DISEL bit in MRB of the DTC is cleared to 0</li> </ul>
1	<p>[Setting conditions]</p> <ul style="list-style-type: none"> <li>• When <math>\overline{IRQn}</math> input goes low when low-level detection is set (<math>IRQnSCB = IRQnSCA = 0</math>)</li> <li>• When a falling edge occurs in <math>\overline{IRQn}</math> input when falling edge detection is set (<math>IRQnSCB = 0, IRQnSCA = 1</math>)</li> <li>• When a rising edge occurs in <math>\overline{IRQn}</math> input when rising edge detection is set (<math>IRQnSCB = 1, IRQnSCA = 0</math>)</li> <li>• When a falling or rising edge occurs in <math>\overline{IRQn}</math> input when both-edge detection is set (<math>IRQnSCB = IRQnSCA = 1</math>)</li> </ul>

(n = 5 to 0)

Note: \* Can only be written with 0 for flag clearing.

Bit	:	7	6	5	4	3	2	1	0
		DTCE7	DTCE6	DTCE5	DTCE4	DTCE3	DTCE2	DTCE1	DTCE0
Initial value :		0	0	0	0	0	0	0	0
Read/Write :		R/W	R/W	R/W	R/W	R/W	R/W	R/W	R/W

## DTC activation enable

0	DTC activation by interrupt is disabled [Clearing conditions] • When data transfer ends while the DISEL bit is 1 • When the specified number of transfers are completed
1	DTC activation by interrupt is enabled [Maintenance condition] When the DISEL bit is 0 and the specified number of transfers have not been completed

## Interrupt Sources and DTCER Bits

Register	Bit							
	7	6	5	4	3	2	1	0
DTCERA	IRQ0	IRQ1	IRQ2	IRQ3	IRQ4	IRQ5	—	—
DTCERB	—	ADI	TGI0A	TGI0B	TGI0C	TGI0D	TGI1A	TGI1B
DTCERC	TGI2A	TGI2B	TGI3A	TGI3B	TGI3C	TGI3D	TGI4A	TGI4B
DTCERD	—	—	TGI5A	TGI5B	—	—	—	—
DTCERE	—	—	—	—	RXI0	TXI0	RXI1	TXI1
DTCERF	RXI2	TXI2	—	—	—	—	—	—
DTCERG	—	—	RM0	—	—	—	—	—

Bit	:	7	6	5	4	3	2	1	0
		SWDTE	DTVEC6	DTVEC5	DTVEC4	DTVEC3	DTVEC2	DTVEC1	DTVEC0
Initial value :		0	0	0	0	0	0	0	0
Read/Write :		R/(W)*1	R/(W)*2	R/(W)*2	R/(W)*2	R/(W)*2	R/(W)*2	R/(W)*2	R/(W)*2

Sets vector number for DTC software activation

#### DTC software activation enable

0	<p>DTC software activation is disabled [Clearing conditions]</p> <ul style="list-style-type: none"> <li>• When the DISEL bit is 0 and the specified number of transfers have not been completed</li> <li>• When 0 is written after a software-activated data transfer interrupt (SWDTEND) request has been sent to the CPU</li> </ul>
1	<p>DTC software activation is enabled [Maintenance conditions]</p> <ul style="list-style-type: none"> <li>• When data transfer ends while the DISEL bit is 1</li> <li>• When the specified number of transfers are completed</li> <li>• During data transfer activated by software</li> </ul>

Notes: \*1 Only 1 can be written to the SWDTE bit.

\*2 Bits DTVEC6 to DTVEC0 can be written to when SWDTE = 0.

Bit	:	7	6	5	4	3	2	1	0
		G3CMS1	G3CMS0	G2CMS1	G2CMS0	G1CMS1	G1CMS0	G0CMS1	G0CMS0
Initial value :		1	1	1	1	1	1	1	1
Read/Write :		R/W	R/W	R/W	R/W	R/W	R/W	R/W	R/W

Group 0 compare match select

0	0	Compare match in TPU channel 0
	1	Compare match in TPU channel 1
1	0	Compare match in TPU channel 2
	1	Compare match in TPU channel 3

Group 1 compare match select

0	0	Compare match in TPU channel 0
	1	Compare match in TPU channel 1
1	0	Compare match in TPU channel 2
	1	Compare match in TPU channel 3

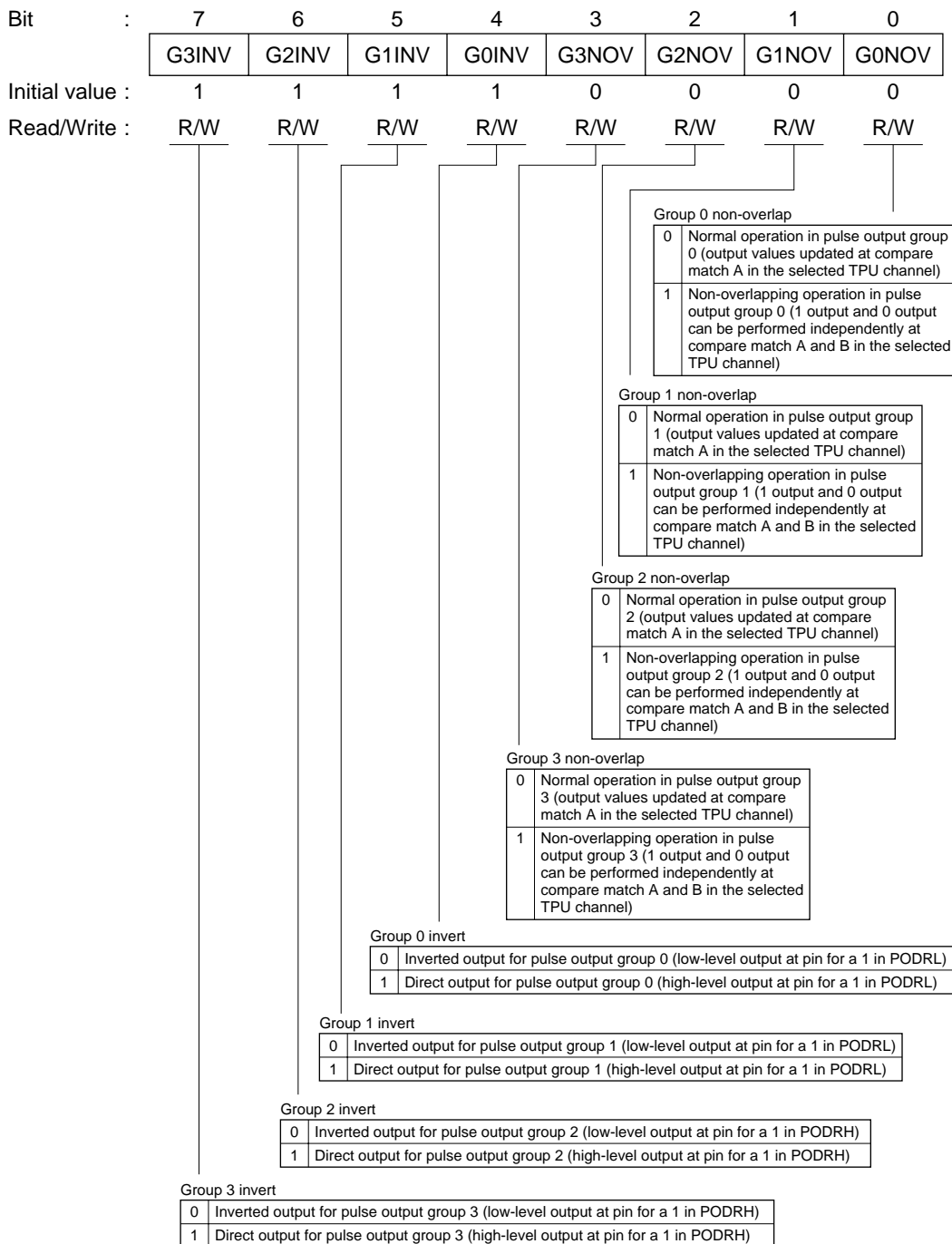
Group 2 compare match select

0	0	Compare match in TPU channel 0
	1	Compare match in TPU channel 1
1	0	Compare match in TPU channel 2
	1	Compare match in TPU channel 3

Group 3 compare match select

0	0	Compare match in TPU channel 0
	1	Compare match in TPU channel 1
1	0	Compare match in TPU channel 2
	1	Compare match in TPU channel 3





Bit	:	7	6	5	4	3	2	1	0
		NDER15	NDER14	NDER13	NDER12	NDER11	NDER10	NDER9	NDER8
Initial value :		0	0	0	0	0	0	0	0
Read/Write :		R/W	R/W	R/W	R/W	R/W	R/W	R/W	R/W

Next data enable

0	Pulse outputs PO15 to PO8 are disabled (transfer from NDR15–NDR8 to POD15–POD8 is disabled)
1	Pulse outputs PO15 to PO8 are enabled (transfer from NDR15–NDR8 to POD15–POD8 is enabled)

**NDERL—Next Data Enable Register L**

Bit	:	7	6	5	4	3	2	1	0
		NDER7	NDER6	NDER5	NDER4	NDER3	NDER2	NDER1	NDER0
Initial value :		0	0	0	0	0	0	0	0
Read/Write :		R/W	R/W	R/W	R/W	R/W	R/W	R/W	R/W

Next data enable

0	Pulse outputs PO7 to PO0 are disabled (transfer from NDR7–NDR0 to POD7–POD0 is disabled)
1	Pulse outputs PO7 to PO0 are enabled (transfer from NDR7–NDR0 to POD7–POD0 is enabled)

**PODRH—Output Data Register H****H'FE2A****PPG**

Bit	:	7	6	5	4	3	2	1	0
		POD15	POD14	POD13	POD12	POD11	POD10	POD9	POD8
Initial value :		0	0	0	0	0	0	0	0
Read/Write :		R/(W)*	R/(W)*	R/(W)*	R/(W)*	R/(W)*	R/(W)*	R/(W)*	R/(W)*

Note: \* A bit that has been set for pulse output by NDER is read-only.

**PODRL—Output Data Register L****H'FE2B****PPG**

Bit	:	7	6	5	4	3	2	1	0
		POD7	POD6	POD5	POD4	POD3	POD2	POD1	POD0
Initial value :		0	0	0	0	0	0	0	0
Read/Write :		R/(W)*	R/(W)*	R/(W)*	R/(W)*	R/(W)*	R/(W)*	R/(W)*	R/(W)*

Note: \* A bit that has been set for pulse output by NDER is read-only.

When pulse output group output triggers are the same

**H'FE2C**

Bit	:	7	6	5	4	3	2	1	0
		NDR15	NDR14	NDR13	NDR12	NDR11	NDR10	NDR9	NDR8
Initial value :		0	0	0	0	0	0	0	0
Read/Write :		R/W	R/W	R/W	R/W	R/W	R/W	R/W	R/W

**H'FE2E**

Bit	:	7	6	5	4	3	2	1	0
		—	—	—	—	—	—	—	—
Initial value :		1	1	1	1	1	1	1	1
Read/Write :		—	—	—	—	—	—	—	—

When pulse output group output triggers are different

**H'FE2C**

Bit	:	7	6	5	4	3	2	1	0
		NDR15	NDR14	NDR13	NDR12	—	—	—	—
Initial value :		0	0	0	0	1	1	1	1
Read/Write :		R/W	R/W	R/W	R/W	—	—	—	—

**H'FE2E**

Bit	:	7	6	5	4	3	2	1	0
		—	—	—	—	NDR11	NDR10	NDR9	NDR8
Initial value :		1	1	1	1	0	0	0	0
Read/Write :		—	—	—	—	R/W	R/W	R/W	R/W

Note: For details see section 11.2.4, Notes on NDR Access.

When pulse output group output triggers are the same

**H'FE2D**

Bit	:	7	6	5	4	3	2	1	0
		NDR7	NDR6	NDR5	NDR4	NDR3	NDR2	NDR1	NDR0
Initial value	:	0	0	0	0	0	0	0	0
Read/Write	:	R/W	R/W	R/W	R/W	R/W	R/W	R/W	R/W

**H'FE2F**

Bit	:	7	6	5	4	3	2	1	0
		—	—	—	—	—	—	—	—
Initial value	:	1	1	1	1	1	1	1	1
Read/Write	:	—	—	—	—	—	—	—	—

When pulse output group output triggers are different

**H'FE2D**

Bit	:	7	6	5	4	3	2	1	0
		NDR7	NDR6	NDR5	NDR4	—	—	—	—
Initial value	:	0	0	0	0	1	1	1	1
Read/Write	:	R/W	R/W	R/W	R/W	—	—	—	—

**H'FE2F**

Bit	:	7	6	5	4	3	2	1	0
		—	—	—	—	NDR3	NDR2	NDR1	NDR0
Initial value	:	1	1	1	1	0	0	0	0
Read/Write	:	—	—	—	—	R/W	R/W	R/W	R/W

Note: For details see section 11.2.4, Notes on NDR Access.

**P1DDR—Port 1 Data Direction Register****H'FE30****PPG**

Bit	:	7	6	5	4	3	2	1	0
		P17DDR	P16DDR	P15DDR	P14DDR	P13DDR	P12DDR	P11DDR	P10DDR
Initial value :		0	0	0	0	0	0	0	0
Read/Write :		W	W	W	W	W	W	W	W

|  
Bit-by-bit specification of input or output for port 1 pins

**PADDR—Port A Data Direction Register****H'FE39****Port A**

Bit	:	7	6	5	4	3	2	1	0
		—	—	PA5DDR*	PA4DDR*	PA3DDR	PA2DDR	PA1DDR	PA0DDR
Initial value :		Undefined	Undefined	0	0	0	0	0	0
Read/Write :		—	—	W	W	W	W	W	W

|  
Specification of input or output for port A pins

Note: \* Reserved bits in the H8S/2626 Series.

**PBDDR—Port B Data Direction Register****H'FE3A****Port B**

Bit	:	7	6	5	4	3	2	1	0
		PB7DDR	PB6DDR	PB5DDR	PB4DDR	PB3DDR	PB2DDR	PB1DDR	PB0DDR
Initial value :		0	0	0	0	0	0	0	0
Read/Write :		W	W	W	W	W	W	W	W

|  
Specification of input or output for port B pins

**PCDDR—Port C Data Direction Register****H'FE3B****Port C**

Bit	:	7	6	5	4	3	2	1	0
		PC7DDR	PC6DDR	PC5DDR	PC4DDR	PC3DDR	PC2DDR	PC1DDR	PC0DDR
Initial value :		0	0	0	0	0	0	0	0
Read/Write :		W	W	W	W	W	W	W	W

|  
Specification of input or output for port C pins

**PDDDR—Port D Data Direction Register****H'FE3C****Port D**

Bit	:	7	6	5	4	3	2	1	0
		PD7DDR	PD6DDR	PD5DDR	PD4DDR	PD3DDR	PD2DDR	PD1DDR	PD0DDR
Initial value :		0	0	0	0	0	0	0	0
Read/Write :		W	W	W	W	W	W	W	W

Specification of input or output for port D pins

**PEDDR—Port E Data Direction Register****H'FE3D****Port E**

Bit	:	7	6	5	4	3	2	1	0
		PE7DDR	PE6DDR	PE5DDR	PE4DDR	PE3DDR	PE2DDR	PE1DDR	PE0DDR
Initial value :		0	0	0	0	0	0	0	0
Read/Write :		W	W	W	W	W	W	W	W

Specification of input or output for port E pins

**PFDDR—Port F Data Direction Register****H'FE3E****Port F**

Bit	:	7	6	5	4	3	2	1	0
		PF7DDR	PF6DDR	PF5DDR	PF4DDR	PF3DDR	PF2DDR	PF1DDR	PF0DDR
Modes 4 to 6									
Initial value :		1	0	0	0	0	0	0	0
Read/Write :		W	W	W	W	W	W	W	W
Mode 7									
Initial value :		0	0	0	0	0	0	0	0
Read/Write :		W	W	W	W	W	W	W	W

Specification of input or output for port F pins

**PAPCR—Port A MOS Pull-Up Control Register H'FE40****Port A**

Bit	:	7	6	5	4	3	2	1	0
		—	—	PA5PCR*	PA4PCR*	PA3PCR	PA2PCR	PA1PCR	PA0PCR
Initial value :		Undefined	Undefined	0	0	0	0	0	0
Read/Write :		—	—	R/W	R/W	R/W	R/W	R/W	R/W

Bit-by-bit control of port A MOS input pull-ups

Note: \* Reserved bits in the H8S/2626 Series.

**PBPCR—Port B MOS Pull-Up Control Register H'FE41****Port B**

Bit	:	7	6	5	4	3	2	1	0
		PB7PCR	PB6PCR	PB5PCR	PB4PCR	PB3PCR	PB2PCR	PB1PCR	PB0PCR
Initial value :		0	0	0	0	0	0	0	0
Read/Write :		R/W	R/W	R/W	R/W	R/W	R/W	R/W	R/W

Bit-by-bit control of port B MOS input pull-ups

**PCPCR—Port C MOS Pull-Up Control Register H'FE42****Port C**

Bit	:	7	6	5	4	3	2	1	0
		PC7PCR	PC6PCR	PC5PCR	PC4PCR	PC3PCR	PC2PCR	PC1PCR	PC0PCR
Initial value :		0	0	0	0	0	0	0	0
Read/Write :		R/W	R/W	R/W	R/W	R/W	R/W	R/W	R/W

Bit-by-bit control of port C MOS input pull-ups

**PDPCR—Port D MOS Pull-Up Control Register H'FE43****Port D**

Bit	:	7	6	5	4	3	2	1	0
		PD7PCR	PD6PCR	PD5PCR	PD4PCR	PD3PCR	PD2PCR	PD1PCR	PD0PCR
Initial value :		0	0	0	0	0	0	0	0
Read/Write :		R/W	R/W	R/W	R/W	R/W	R/W	R/W	R/W

Bit-by-bit control of port D MOS input pull-ups



**PEPCR—Port E MOS Pull-Up Control Register H'FE44****Port E**

Bit	7	6	5	4	3	2	1	0
	PE7PCR	PE6PCR	PE5PCR	PE4PCR	PE3PCR	PE2PCR	PE1PCR	PE0PCR
Initial value :	0	0	0	0	0	0	0	0
Read/Write :	R/W	R/W	R/W	R/W	R/W	R/W	R/W	R/W

Bit-by-bit control of port E MOS input pull-ups

**PAODR—Port A Open Drain Control Register H'FE47****Port A**

Bit	7	6	5	4	3	2	1	0
	—	—	PA5ODR*	PA4ODR*	PA3ODR	PA2ODR	PA1ODR	PA0ODR
Initial value :	Undefined	Undefined	0	0	0	0	0	0
Read/Write :	—	—	R/W	R/W	R/W	R/W	R/W	R/W

PMOS on/off control for port A pins (PA5 to PA0)

Note: \* Reserved bits in the H8S/2626 Series.

**PBODR—Port B Open Drain Control Register H'FE48****Port B**

Bit	7	6	5	4	3	2	1	0
	PB7ODR	PB6ODR	PB5ODR	PB4ODR	PB3ODR	PB2ODR	PB1ODR	PB0ODR
Initial value :	0	0	0	0	0	0	0	0
Read/Write :	R/W	R/W	R/W	R/W	R/W	R/W	R/W	R/W

PMOS on/off control for port B pins (PB7 to PB0)

**PCODR—Port C Open Drain Control Register H'FE49****Port C**

Bit	7	6	5	4	3	2	1	0
	PC7ODR	PC6ODR	PC5ODR	PC4ODR	PC3ODR	PC2ODR	PC1ODR	PC0ODR
Initial value :	0	0	0	0	0	0	0	0
Read/Write :	R/W	R/W	R/W	R/W	R/W	R/W	R/W	R/W

PMOS on/off control for port C pins (PC7 to PC0)

Bit	:	7	6	5	4	3	2	1	0
		CCLR2	CCLR1	CCLR0	CKEG1	CKEG0	TPSC2	TPSC1	TPSC0
Initial value :		0	0	0	0	0	0	0	0
Read/Write :		R/W	R/W	R/W	R/W	R/W	R/W	R/W	R/W

## Timer prescaler

0	0	0	Internal clock: counts on $\phi/1$
		1	Internal clock: counts on $\phi/4$
	1	0	Internal clock: counts on $\phi/16$
		1	Internal clock: counts on $\phi/64$
1	0	0	External clock: counts on TCLKA pin input
		1	Internal clock: counts on $\phi/1024$
	1	0	Internal clock: counts on $\phi/256$
		1	Internal clock: counts on $\phi/4096$

## Input clock edge select

0	0	Count at rising edge
	1	Count at falling edge
1	—	Count at both edges

Note: Internal clock edge selection is valid when the input clock is  $\phi/4$  or slower. This setting is ignored if  $\phi/1$  is selected as the input clock.

## Counter clear

0	0	0	TCNT clearing disabled
		1	TCNT cleared by TGRA compare match/input capture
	1	0	TCNT cleared by TGRB compare match/input capture
		1	TCNT cleared by counter clearing for another channel performing synchronous clearing/synchronous operation <sup>*1</sup>
1	0	0	TCNT clearing disabled
		1	TCNT cleared by TGRC compare match/input capture <sup>*2</sup>
	1	0	TCNT cleared by TGRD compare match/input capture <sup>*2</sup>
		1	TCNT cleared by counter clearing for another channel performing synchronous clearing/synchronous operation <sup>*1</sup>

Notes: <sup>\*1</sup> Synchronous operation setting is performed by setting the SYNC bit in TSYR to 1.

<sup>\*2</sup> When TGRC or TGRD is used as a buffer register, TCNT is not cleared because the buffer register setting has priority, and compare match/input capture does not occur.

Bit	:	7	6	5	4	3	2	1	0
		—	—	BFB	BFA	MD3	MD2	MD1	MD0
Initial value :		1	1	0	0	0	0	0	0
Read/Write :		—	—	R/W	R/W	R/W	R/W	R/W	R/W

## Mode

0	0	0	0	Normal operation
		1	Reserved	
		1	0	PWM mode 1
			1	PWM mode 2
	1	0	0	Phase counting mode 1
			1	Phase counting mode 2
		1	0	Phase counting mode 3
			1	Phase counting mode 4
1	*	*	*	—

\*: Don't care

- Notes:
- MD3 is a reserved bit.  
In a write, it should always be written with 0.
  - Phase counting mode cannot be set for channel 3. In this case, 0 should always be written to MD2.

## Buffer operation setting A

0	TGRA operates normally
1	TGRA and TGRC used together for buffer operation

## Buffer operation setting B

0	TGRB operates normally
1	TGRB and TGRD used together for buffer operation

Bit	:	7	6	5	4	3	2	1	0
		IOB3	IOB2	IOB1	IOB0	IOA3	IOA2	IOA1	IOA0
Initial value :		0	0	0	0	0	0	0	0
Read/Write :		R/W	R/W	R/W	R/W	R/W	R/W	R/W	R/W

TGR3A I/O control

0	0	0	0	TGR3A is output compare register	Output disabled		
			1		Initial output is 0 output	0 output at compare match	
			0			1 output at compare match	
		1	Toggle output at compare match				
		1	0		0	Output disabled	
					1	Initial output is 1 output	0 output at compare match
	0			1 output at compare match			
	1	Toggle output at compare match					
	1	0	0	0	TGR3A is input capture register	Capture input source is TIOCA3 pin	Input capture at rising edge
				1			Input capture at falling edge
		*	Input capture at both edges				
		1	*	*		Capture input source is channel 4/count clock	Input capture at TCNT4 count-up/count-down

\*: Don't care

TGR3B I/O control

0	0	0	0	TGR3B is output compare register	Output disabled		
			1		Initial output is 0 output	0 output at compare match	
			0			1 output at compare match	
		1	Toggle output at compare match				
		1	0		0	Output disabled	
					1	Initial output is 1 output	0 output at compare match
	0			1 output at compare match			
	1	Toggle output at compare match					
	1	0	0	0	TGR3B is input capture register	Capture input source is TIOCB3 pin	Input capture at rising edge
				1			Input capture at falling edge
		*	Input capture at both edges				
		1	*	*		Capture input source is channel 4/count clock	Input capture at TCNT4 count-up/count-down <sup>*1</sup>

\*: Don't care

Note: <sup>\*1</sup> When bits TPSC2 to TPSC0 in TCR4 are set to B'000 and  $\emptyset$ /1 is used as the TCNT4 count clock, this setting is invalid and input capture is not generated.

Bit	:	7	6	5	4	3	2	1	0
		IOD3	IOD2	IOD1	IOD0	IOC3	IOC2	IOC1	IOC0
Initial value :		0	0	0	0	0	0	0	0
Read/Write :		R/W	R/W	R/W	R/W	R/W	R/W	R/W	R/W

## TRG3C I/O control

0	0	0	0	0	TGR3C is output compare register	Output disabled		
						Initial output is 0 output	0 output at compare match	
							1 output at compare match	
						Toggle output at compare match		
	1	0	0	0	1	TGR3C is output compare register	Output disabled	
							Initial output is 1 output	0 output at compare match
								1 output at compare match
							Toggle output at compare match	
	1	0	0	0	1	TGR3C is input capture register	Capture input source is TIOCC3 pin	
							Input capture at rising edge	
							Input capture at falling edge	
							Input capture at both edges	
1	*	*	*	1	TGR3C is input capture register	Capture input source is channel 4/count clock		
						Input capture at TCNT4 count-up/count-down		

\*: Don't care

## TGR3D I/O control

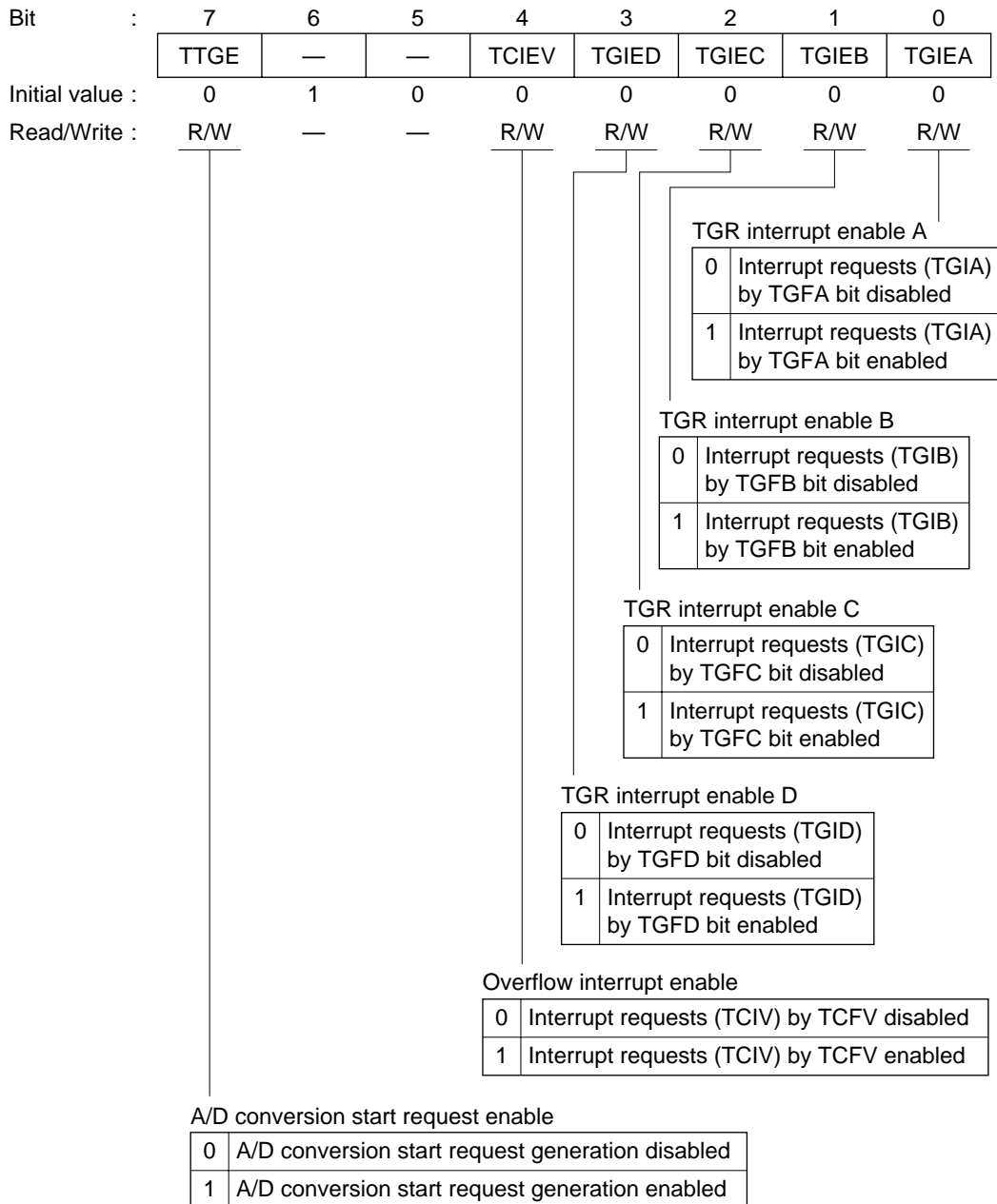
0	0	0	0	0	TGR3D is output compare register*2	Output disabled		
						Initial output is 0 output	0 output at compare match	
							1 output at compare match	
						Toggle output at compare match		
	1	0	0	0	1	TGR3D is output compare register*2	Output disabled	
							Initial output is 1 output	0 output at compare match
								1 output at compare match
							Toggle output at compare match	
	1	0	0	0	1	TGR3D is input capture register*2	Capture input source is TIOCD3 pin	
							Input capture at rising edge	
							Input capture at falling edge	
							Input capture at both edges	
1	*	*	*	1	TGR3D is input capture register*2	Capture input source is channel 4/count clock		
						Input capture at TCNT4 count-up/count-down*1		

\*: Don't care

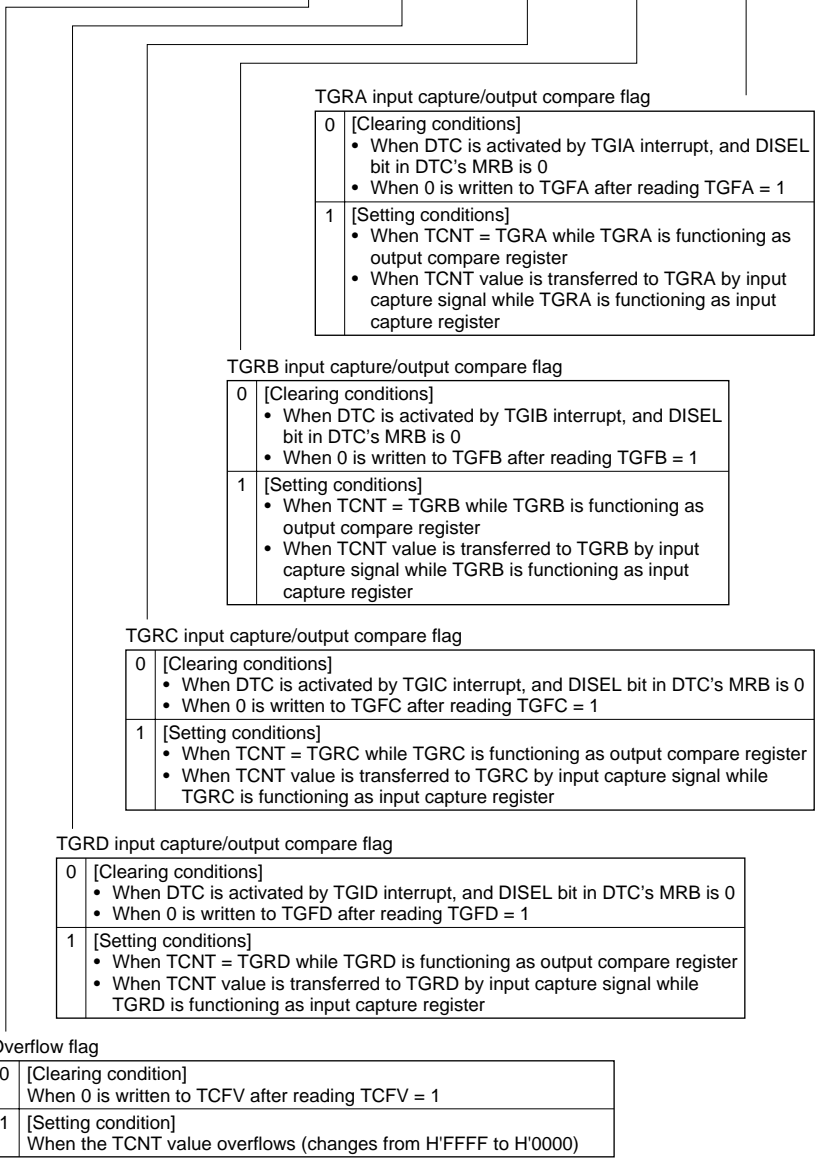
Notes: \*1 When bits TPSC2 to TPSC0 in TCR4 are set to B'000 and  $\phi/1$  is used as the TCNT4 count clock, this setting is invalid and input capture is not generated.

\*2 When the BFB bit in TMDR3 is set to 1 and TGR3D is used as a buffer register, this setting is invalid and input capture/output compare is not generated.

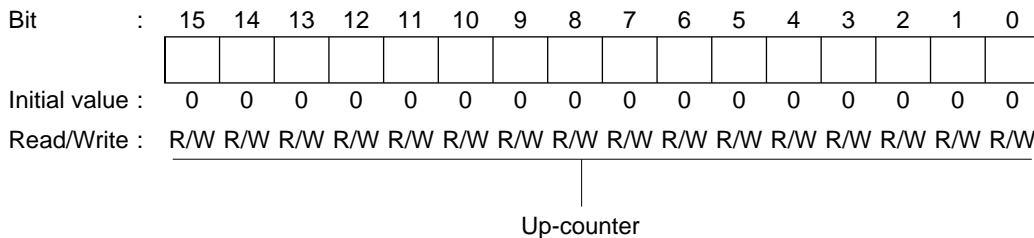
Note: When TGRC or TGRD is designated for buffer operation, this setting is invalid and the register operates as a buffer register.



Bit	:	7	6	5	4	3	2	1	0
		—	—	—	TCFV	TGFD	TGFC	TGFB	TGFA
Initial value :		1	1	0	0	0	0	0	0
Read/Write :		—	—	—	R/(W)*	R/(W)*	R/(W)*	R/(W)*	R/(W)*



Note: \* Can only be written with 0 for flag clearing.



**TGR3A—Timer General Register 3A**

**H'FE88**

**TPU3**

**TGR3B—Timer General Register 3B**

**H'FE8A**

**TPU3**

**TGR3C—Timer General Register 3C**

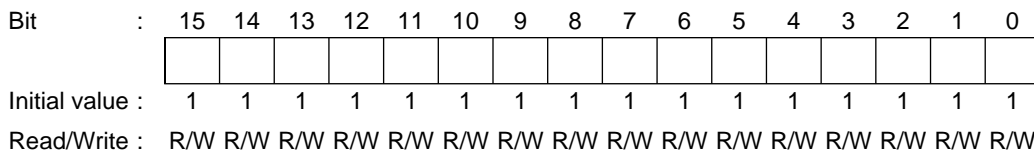
**H'FE8C**

**TPU3**

**TGR3D—Timer General Register 3D**

**H'FE8E**

**TPU3**





Bit	:	7	6	5	4	3	2	1	0
		—	CCLR1	CCLR0	CKEG1	CKEG0	TPSC2	TPSC1	TPSC0
Initial value :		0	0	0	0	0	0	0	0
Read/Write :		—	R/W	R/W	R/W	R/W	R/W	R/W	R/W

## Time prescaler

0	0	0	Internal clock: counts on $\phi/1$
		1	Internal clock: counts on $\phi/4$
1	0	0	Internal clock: counts on $\phi/16$
		1	Internal clock: counts on $\phi/64$
1	0	0	External clock: counts on TCLKA pin input
		1	External clock: counts on TCLKC pin input
1	1	0	Internal clock: counts on $\phi/1024$
		1	Counts on TCNT5 overflow/underflow

Note: This setting is invalid when channel 4 is in phase counting mode.

## Input clock edge select

0	0	Count at rising edge
	1	Count at falling edge
1	—	Count at both edges

Note: This setting is invalid when channel 4 is in phase counting mode.

This setting is ignored if the input clock is  $\phi/1$ , or when overflow/underflow of another channel is selected.

## Counter clear

0	0	0	TCNT clearing disabled
		1	TCNT cleared by TGRA compare match/input capture
1	0	0	TCNT cleared by TGRB compare match/input capture
		1	TCNT cleared by counter clearing for another channel performing synchronous clearing/synchronous operation*

Note: \* Synchronous operation setting is performed by setting the SYNC bit in TSYR to 1.

Bit	:	7	6	5	4	3	2	1	0
		—	—	—	—	MD3	MD2	MD1	MD0
Initial value	:	1	1	0	0	0	0	0	0
Read/Write	:	—	—	—	—	R/W	R/W	R/W	R/W

Mode

0	0	0	0	Normal operation
		1	Reserved	
		1	0	PWM mode 1
			1	PWM mode 2
	1	0	0	Phase counting mode 1
			1	Phase counting mode 2
		1	0	Phase counting mode 3
			1	Phase counting mode 4
1	*	*	*	—

\*: Don't care

Note: MD3 is a reserved bit. In a write, it should always be written with 0.

Bit	:	7	6	5	4	3	2	1	0
		IOB3	IOB2	IOB1	IOB0	IOA3	IOA2	IOA1	IOA0
Initial value :		0	0	0	0	0	0	0	0
Read/Write :		R/W	R/W	R/W	R/W	R/W	R/W	R/W	R/W

TGR4A I/O control

0	0	0	0	TGR4A is output compare register	Output disabled		
			1		Initial output is 0 output	0 output at compare match	
			0			1 output at compare match	
		1	Toggle output at compare match				
		1	0		0	Output disabled	
					1	Initial output is 1 output	0 output at compare match
	0			1 output at compare match			
	1	Toggle output at compare match					
	1	0	0	0	TGR4A is input capture register	Capture input source is TIOCA4 pin	Input capture at rising edge
				1			Input capture at falling edge
		*	Input capture at both edges				
		1	*	*		Capture input source is TGR3A compare match/ input capture	Input capture at generation of TGR3A compare match/ input capture

\*: Don't care

TGR4B I/O control

0	0	0	0	TGR4B is output compare register	Output disabled		
			1		Initial output is 0 output	0 output at compare match	
			0			1 output at compare match	
		1	Toggle output at compare match				
		1	0		0	0	Output disabled
						1	Initial output is 1 output
	0			1 output at compare match			
	1	Toggle output at compare match					
	1	0	0	0	TGR4B is input capture register	Capture input source is TIOCB4 pin	Input capture at rising edge
				1			Input capture at falling edge
		*	Input capture at both edges				
		1	*	*		Capture input source is TGR3C compare match/ input capture	Input capture at generation of TGR3C compare match/ input capture

\*: Don't care

Bit	7	6	5	4	3	2	1	0
	TTGE	—	TCIEU	TCIEV	—	—	TGIEB	TGIEA
Initial value :	0	1	0	0	0	0	0	0
Read/Write :	R/W	—	R/W	R/W	—	—	R/W	R/W

A/D conversion start request enable	
0	A/D conversion start request generation disabled
1	A/D conversion start request generation enabled

Underflow interrupt enable	
0	Interrupt requests (TCIU) by TCFU disabled
1	Interrupt requests (TCIU) by TCFU enabled

Overflow interrupt enable	
0	Interrupt requests (TCIV) by TCFV disabled
1	Interrupt requests (TCIV) by TCFV enabled

TGIB interrupt enable	
0	Interrupt requests (TGIB) by TGFB bit disabled
1	Interrupt requests (TGIB) by TGFB bit enabled

TGIA interrupt enable	
0	Interrupt requests (TGIA) by TGFA bit disabled
1	Interrupt requests (TGIA) by TGFA bit enabled

Bit	:	7	6	5	4	3	2	1	0
		TCFD	—	TCFU	TCFV	—	—	TGFB	TGFA
Initial value :		1	1	0	0	0	0	0	0
Read/Write :		R	—	R/(W)*	R/(W)*	—	—	R/(W)*	R/(W)*

TGRA input capture/output compare flag

0	[Clearing conditions]
	<ul style="list-style-type: none"> <li>When DTC is activated by TGIA interrupt, and DISEL bit in DTC's MRB is 0</li> <li>When 0 is written to TGFA after reading TGFA = 1</li> </ul>
1	[Setting conditions]
	<ul style="list-style-type: none"> <li>When TCNT = TGRA while TGRA is functioning as output compare register</li> <li>When TCNT value is transferred to TGRA by input capture signal while TGRA is functioning as input capture register</li> </ul>

TGRB input capture/output compare flag

0	[Clearing conditions]
	<ul style="list-style-type: none"> <li>When DTC is activated by TGIB interrupt, and DISEL bit in DTC's MRB is 0</li> <li>When 0 is written to TGFB after reading TGFB = 1</li> </ul>
1	[Setting conditions]
	<ul style="list-style-type: none"> <li>When TCNT = TGRB while TGRB is functioning as output compare register</li> <li>When TCNT value is transferred to TGRB by input capture signal while TGRB is functioning as input capture register</li> </ul>

Overflow flag

0	[Clearing condition]
	When 0 is written to TCFV after reading TCFV = 1
1	[Setting condition]
	When the TCNT value overflows (changes from H'FFFF to H'0000)

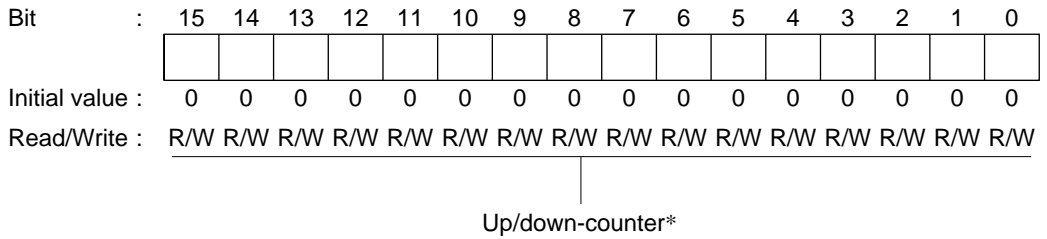
Underflow flag

0	[Clearing condition]
	When 0 is written to TCFU after reading TCFU = 1
1	[Setting condition]
	When the TCNT value underflows (changes from H'0000 to H'FFFF)

Counter direction flag

0	TCNT counts down
1	TCNT counts up

Note: \* Can only be written with 0 for flag clearing.



Note: \* This timer counter can be used as an up/down-counter only in phase counting mode or when performing overflow/underflow counting on another channel. In other cases it functions as an up-counter.

**TGR4A—Timer General Register 4A**

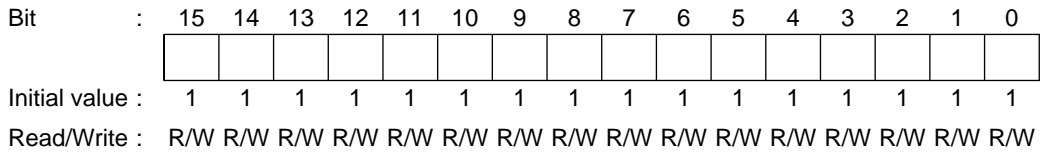
**H'FE98**

**TPU4**

**TGR4B—Timer General Register 4B**

**H'FE9A**

**TPU4**



Bit	:	7	6	5	4	3	2	1	0
		—	CCLR1	CCLR0	CKEG1	CKEG0	TPSC2	TPSC1	TPSC0
Initial value :		0	0	0	0	0	0	0	0
Read/Write :		—	R/W	R/W	R/W	R/W	R/W	R/W	R/W

## Time prescaler

0	0	0	Internal clock: counts on $\phi/1$
		1	Internal clock: counts on $\phi/4$
1	0	0	Internal clock: counts on $\phi/16$
		1	Internal clock: counts on $\phi/64$
1	0	0	External clock: counts on TCLKA pin input
		1	External clock: counts on TCLKC pin input
	1	0	Internal clock: counts on $\phi/256$
		1	External clock: counts on TCLKD pin input

Note: This setting is invalid when channel 5 is in phase counting mode.

## Input clock edge select

0	0	Count at rising edge
	1	Count at falling edge
1	—	Count at both edges

Note: This setting is invalid when channel 5 is in phase counting mode, and also when  $\phi/1$  is selected as the input clock.

## Counter clear

0	0	0	TCNT clearing disabled
		1	TCNT cleared by TGRA compare match/input capture
	1	0	TCNT cleared by TGRB compare match/input capture
		1	TCNT cleared by counter clearing for another channel performing synchronous clearing/synchronous operation*

Note: \* Synchronous operation setting is performed by setting the SYNC bit in TSYR to 1.

Bit	:	7	6	5	4	3	2	1	0
		—	—	—	—	MD3	MD2	MD1	MD0
Initial value :		1	1	0	0	0	0	0	0
Read/Write :		—	—	—	—	R/W	R/W	R/W	R/W

Mode

0	0	0	0	Normal operation
		1	Reserved	
		1	0	PWM mode 1
			1	PWM mode 2
	1	0	0	Phase counting mode 1
			1	Phase counting mode 2
		1	0	Phase counting mode 3
			1	Phase counting mode 4
1	*	*	*	—

\*: Don't care

Note: MD3 is a reserved bit. In a write, it should always be written with 0.



Bit	:	7	6	5	4	3	2	1	0
		IOB3	IOB2	IOB1	IOB0	IOA3	IOA2	IOA1	IOA0
Initial value :		0	0	0	0	0	0	0	0
Read/Write :		R/W	R/W	R/W	R/W	R/W	R/W	R/W	R/W

TGR5A I/O control

0	0	0	0	TGR5A is output compare register	Output disabled		
			1		Initial output is 0 output	0 output at compare match	
			0			1 output at compare match	
		1	Toggle output at compare match				
		1	0		0	Output disabled	
					1	Initial output is 1 output	0 output at compare match
	0			1 output at compare match			
	1	Toggle output at compare match					
	1	*	0	0	TGR5A is input capture register	Capture input source is TIOCA5 pin	Input capture at rising edge
				1			Input capture at falling edge
				*			Input capture at both edges

\*: Don't care

TGR5B I/O control

0	0	0	0	TGR5B is output compare register	Output disabled		
			1		Initial output is 0 output	0 output at compare match	
			0			1 output at compare match	
		1	Toggle output at compare match				
		1	0		0	Output disabled	
					1	Initial output is 1 output	0 output at compare match
	0			1 output at compare match			
	1	Toggle output at compare match					
	1	*	0	0	TGR5B is input capture register	Capture input source is TIOCB5 pin	Input capture at rising edge
				1			Input capture at falling edge
				*			Input capture at both edges

\*: Don't care

Bit	7	6	5	4	3	2	1	0
	TTGE	—	TCIEU	TCIEV	—	—	TGIEB	TGIEA
Initial value :	0	1	0	0	0	0	0	0
Read/Write :	R/W	—	R/W	R/W	—	—	R/W	R/W

A/D conversion start request enable	
0	A/D conversion start request generation disabled
1	A/D conversion start request generation enabled

Underflow interrupt enable	
0	Interrupt requests (TCIU) by TCFU disabled
1	Interrupt requests (TCIU) by TCFU enabled

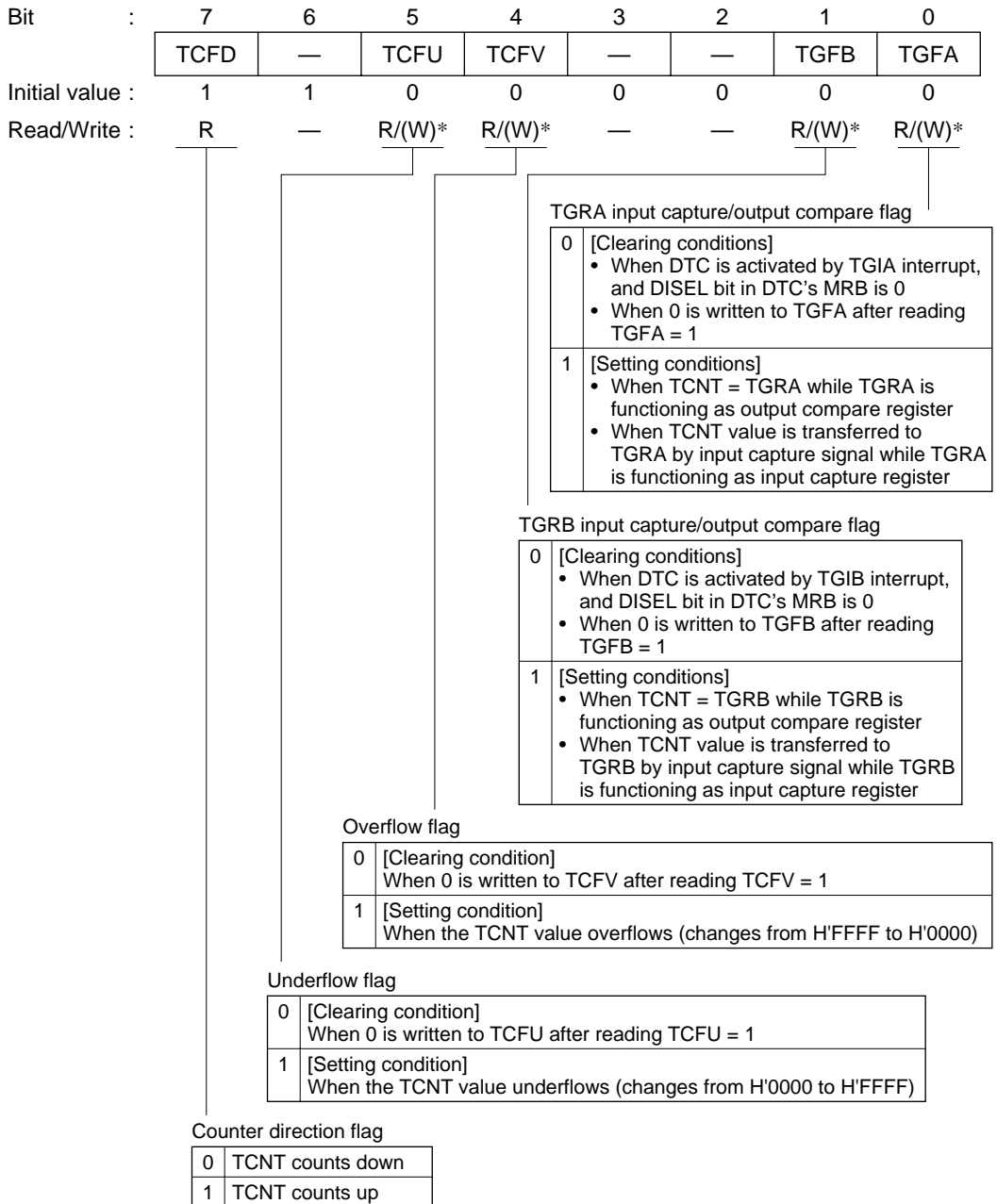
Overflow interrupt enable	
0	Interrupt requests (TCIV) by TCFV disabled
1	Interrupt requests (TCIV) by TCFV enabled

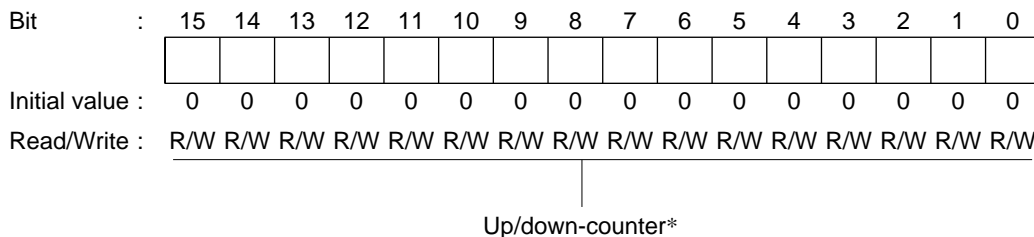
TGIB interrupt enable	
0	Interrupt requests (TGIB) by TGFB bit disabled
1	Interrupt requests (TGIB) by TGFB bit enabled

TGIA interrupt enable	
0	Interrupt requests (TGIA) by TGFA bit disabled
1	Interrupt requests (TGIA) by TGFA bit enabled



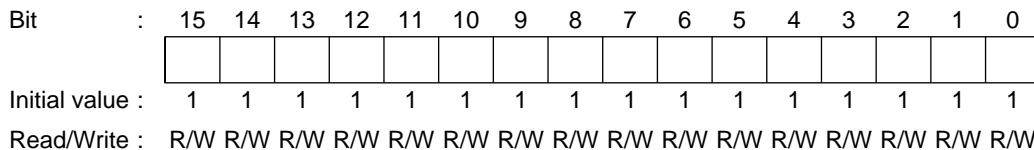
Note: \* Can only be written with 0 for flag clearing.



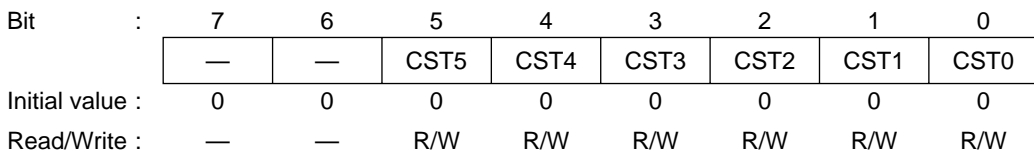
Note: \* This timer counter can be used as an up/down-counter only in phase counting mode or when performing overflow/underflow counting on another channel. In other cases it functions as an up-counter.

**TGR5A—Timer General Register 5A**

**TGR5B—Timer General Register 5B**



**TSTR—Timer Start Register**



Counter start

0	TCNTn count operation is stopped
1	TCNTn performs count operation

(n = 5 to 0)

Note: If 0 is written to the CST bit during operation with the TIOC pin designated for output, the counter stops but the TIOC pin output compare output level is retained. If TIOR is written to when the CST bit is cleared to 0, the pin output level will be changed to the set initial output value.

Bit	:	7	6	5	4	3	2	1	0
		—	—	SYNC5	SYNC4	SYNC3	SYNC2	SYNC1	SYNC0
Initial value :		0	0	0	0	0	0	0	0
Read/Write :		—	—	R/W	R/W	R/W	R/W	R/W	R/W

Timer synchronization

0	TCNTn operates independently (TCNT presetting/clearing is unrelated to other channels)
1	TCNTn performs synchronous operation TCNT synchronous presetting/synchronous clearing is possible

(n = 5 to 0)

- Notes:
1. To set synchronous operation, the SYNC bits for at least two channels must be set to 1.
  2. To set synchronous clearing, in addition to the SYNC bit, the TCNT clearing source must also be set by means of bits CCLR2 to CCLR0 in TCR.

<b>IPRA—Interrupt Priority Register A</b>	<b>H'FEC0</b>	<b>Interrupt Controller</b>
<b>IPRB—Interrupt Priority Register B</b>	<b>H'FEC1</b>	<b>Interrupt Controller</b>
<b>IPRC—Interrupt Priority Register C</b>	<b>H'FEC2</b>	<b>Interrupt Controller</b>
<b>IPRD—Interrupt Priority Register D</b>	<b>H'FEC3</b>	<b>Interrupt Controller</b>
<b>IPRE—Interrupt Priority Register E</b>	<b>H'FEC4</b>	<b>Interrupt Controller</b>
<b>IPRF—Interrupt Priority Register F</b>	<b>H'FEC5</b>	<b>Interrupt Controller</b>
<b>IPRG—Interrupt Priority Register G</b>	<b>H'FEC6</b>	<b>Interrupt Controller</b>
<b>IPRH—Interrupt Priority Register H</b>	<b>H'FEC7</b>	<b>Interrupt Controller</b>
<b>IPRI—Interrupt Priority Register I</b>	<b>H'FEC8</b>	<b>Interrupt Controller</b>
<b>IPRJ—Interrupt Priority Register J</b>	<b>H'FEC9</b>	<b>Interrupt Controller</b>
<b>IPRK—Interrupt Priority Register K</b>	<b>H'FECA</b>	<b>Interrupt Controller</b>
<b>IPRM—Interrupt Priority Register M</b>	<b>H'FECC</b>	<b>Interrupt Controller</b>

Bit	:	7	6	5	4	3	2	1	0
		—	IPR6	IPR5	IPR4	—	IPR2	IPR1	IPR0
Initial value :		0	1	1	1	0	1	1	1
Read/Write :		—	R/W	R/W	R/W	—	R/W	R/W	R/W

#### Interrupt Sources and IPR Settings

Register	Bits	
	6 to 4	2 to 0
IPRA	IRQ0	IRQ1
IPRB	IRQ2	IRQ4
	IRQ3	IRQ5
IPRC	—*1	DTC
IPRD	WDT0	—*1
IPRE	PC break	A/D converter, WDT1*2
IPRF	TPU channel 0	TPU channel 1
IPRG	TPU channel 2	TPU channel 3
IPRH	TPU channel 4	TPU channel 5
IPRI	—*1	—*1
IPRJ	—*1	SCI channel 0
IPRK	SCI channel 1	SCI channel 2
IPRM	HCAN	—*1

Notes: \*1 These bits are reserved. They are always read as 1 and cannot be modified.

\*2 Valid only in the H8S/2626 Series.

**ABWCR—Bus Width Control Register****H'FED0****Bus Controller**

Bit :	7	6	5	4	3	2	1	0
	ABW7	ABW6	ABW5	ABW4	ABW3	ABW2	ABW1	ABW0

Modes 5 to 7

Initial value :	1	1	1	1	1	1	1	1
Read/Write :	R/W	R/W	R/W	R/W	R/W	R/W	R/W	R/W

Mode 4

Initial value :	0	0	0	0	0	0	0	0
Read/Write :	R/W	R/W	R/W	R/W	R/W	R/W	R/W	R/W

Area 7 to 0 bus width control

0	Area n is designated for 16-bit access
1	Area n is designated for 8-bit access

(n = 7 to 0)

**ASTCR—Access State Control Register****H'FED1****Bus Controller**

Bit :	7	6	5	4	3	2	1	0
	AST7	AST6	AST5	AST4	AST3	AST2	AST1	AST0

Initial value :	1	1	1	1	1	1	1	1
Read/Write :	R/W	R/W	R/W	R/W	R/W	R/W	R/W	R/W

Area 7 to 0 access state control

0	Area n is designated for 2-state access Wait state insertion in area n external space access is disabled
1	Area n is designated for 3-state access Wait state insertion in area n external space access is enabled

(n = 7 to 0)

Bit	:	7	6	5	4	3	2	1	0
		W71	W70	W61	W60	W51	W50	W41	W40

Initial value : 1 1 1 1 1 1 1 1

Read/Write : R/W R/W R/W R/W R/W R/W R/W R/W

Area 4 wait control

0	0	Program wait not inserted
	1	1 program wait state inserted
1	0	2 program wait states inserted
	1	3 program wait states inserted

Area 5 wait control

0	0	Program wait not inserted
	1	1 program wait state inserted
1	0	2 program wait states inserted
	1	3 program wait states inserted

Area 6 wait control

0	0	Program wait not inserted
	1	1 program wait state inserted
1	0	2 program wait states inserted
	1	3 program wait states inserted

Area 7 wait control

0	0	Program wait not inserted
	1	1 program wait state inserted
1	0	2 program wait states inserted
	1	3 program wait states inserted



Bit :	7	6	5	4	3	2	1	0
	W31	W30	W21	W20	W11	W10	W01	W00
Initial value :	1	1	1	1	1	1	1	1
Read/Write :	R/W	R/W	R/W	R/W	R/W	R/W	R/W	R/W

Area 0 wait control

0	0	Program wait not inserted
	1	1 program wait state inserted
1	0	2 program wait states inserted
	1	3 program wait states inserted

Area 1 wait control

0	0	Program wait not inserted
	1	1 program wait state inserted
1	0	2 program wait states inserted
	1	3 program wait states inserted

Area 2 wait control

0	0	Program wait not inserted
	1	1 program wait state inserted
1	0	2 program wait states inserted
	1	3 program wait states inserted

Area 3 wait control

0	0	Program wait not inserted
	1	1 program wait state inserted
1	0	2 program wait states inserted
	1	3 program wait states inserted

Bit	:	7	6	5	4	3	2	1	0
		ICIS1	ICIS0	BRSTRM	BRSTS1	BRSTS0	—	—	—
Initial value :		1	1	0	1	0	0	0	0
Read/Write :		R/W	R/W	R/W	R/W	R/W	R/W	R/W	R/W

Burst cycle select 0

0	Max. 4 words in burst access
1	Max. 8 words in burst access

Burst cycle select 1

0	Burst cycle comprises 1 state
1	Burst cycle comprises 2 states

Area 0 burst ROM enable

0	Basic bus interface
1	Burst ROM interface

Idle cycle insert 0

0	Idle cycle not inserted in case of successive external read and external write cycles
1	Idle cycle inserted in case of successive external read and external write cycles

Idle cycle insert 1

0	Idle cycle not inserted in case of successive external read cycles in different areas
1	Idle cycle inserted in case of successive external read cycles in different areas

Bit	7	6	5	4	3	2	1	0
	BRLE	BREQOE	—	—	—	—	WDBE	WAITE
Initial value :	0	0	0	0	1	0	0	0
Read/Write :	R/W	R/W	—	R/W	R/W	R/W	R/W	R/W

WAIT pin enable

0	Wait input by $\overline{\text{WAIT}}$ pin disabled
1	Wait input by $\overline{\text{WAIT}}$ pin enabled

Write data buffer enable

0	Write data buffer function not used
1	Write data buffer function used

BREQO pin enable

0	$\overline{\text{BREQO}}$ output disabled
1	$\overline{\text{BREQO}}$ output enabled

Bus release enable

0	External bus release disabled
1	External bus release enabled

Bit	:	7	6	5	4	3	2	1	0
		—	—	—	—	RAMS	RAM2	RAM1	RAM0
Initial value :		0	0	0	0	0	0	0	0
Read/Write :		R	R	R/W	R/W	R/W	R/W	R/W	R/W

Flash memory area select

RAM select

0	Emulation not selected Program/erase-protection of all flash memory blocks is disabled
1	Emulation selected Program/erase-protection of all flash memory blocks is enabled

Flash memory area divisions

Addresses	Block Name	RAMS	RAM2	RAM1	RAM0
H'FFD000–H'FFDFFF	RAM area 4 kbytes	0	*	*	*
H'000000–H'000FFF	EB0 (4 kbytes)	1	0	0	0
H'001000–H'001FFF	EB1 (4 kbytes)	1	0	0	1
H'002000–H'002FFF	EB2 (4 kbytes)	1	0	1	0
H'003000–H'003FFF	EB3 (4 kbytes)	1	0	1	1
H'004000–H'004FFF	EB4 (4 kbytes)	1	1	0	0
H'005000–H'005FFF	EB5 (4 kbytes)	1	1	0	1
H'006000–H'006FFF	EB6 (4 kbytes)	1	1	1	0
H'007000–H'007FFF	EB7 (4 kbytes)	1	1	1	1

\*: Don't care

Note: \*1 This register is present only in the F-ZTAT version; it is not provided in the mask ROM version.

## P1DR—Port 1 Data Register

H'FF00

Port 1

Bit	:	7	6	5	4	3	2	1	0
		P17DR	P16DR	P15DR	P14DR	P13DR	P12DR	P11DR	P10DR
Initial value :		0	0	0	0	0	0	0	0
Read/Write :		R/W	R/W	R/W	R/W	R/W	R/W	R/W	R/W

Stores output data for port 1 pins (P17 to P10)

**PADR—Port A Data Register****H'FF09****Port A**

Bit	:	7	6	5	4	3	2	1	0
		—	—	PA5DR*	PA4DR*	PA3DR	PA2DR	PA1DR	PA0DR
Initial value :		Undefined	Undefined	0	0	0	0	0	0
Read/Write :		—	—	R/W	R/W	R/W	R/W	R/W	R/W

Stores output data for port A pins (PA5 to PA0)

Note: \* Reserved bits in the H8S/2626 Series.

**PBDR—Port B Data Register****H'FF0A****Port B**

Bit	:	7	6	5	4	3	2	1	0
		PB7DR	PB6DR	PB5DR	PB4DR	PB3DR	PB2DR	PB1DR	PB0DR
Initial value :		0	0	0	0	0	0	0	0
Read/Write :		R/W	R/W	R/W	R/W	R/W	R/W	R/W	R/W

Stores output data for port B pins (PB7 to PB0)

**PCDR—Port C Data Register****H'FF0B****Port C**

Bit	:	7	6	5	4	3	2	1	0
		PC7DR	PC6DR	PC5DR	PC4DR	PC3DR	PC2DR	PC1DR	PC0DR
Initial value :		0	0	0	0	0	0	0	0
Read/Write :		R/W	R/W	R/W	R/W	R/W	R/W	R/W	R/W

Stores output data for port C pins (PC7 to PC0)

**PDDR—Port D Data Register****H'FF0C****Port D**

Bit	:	7	6	5	4	3	2	1	0
		PD7DR	PD6DR	PD5DR	PD4DR	PD3DR	PD2DR	PD1DR	PD0DR
Initial value :		0	0	0	0	0	0	0	0
Read/Write :		R/W	R/W	R/W	R/W	R/W	R/W	R/W	R/W

Stores output data for port D pins (PD7 to PD0)

**PEDR—Port E Data Register****H'FF0D****Port E**

Bit	:	7	6	5	4	3	2	1	0
		PE7DR	PE6DR	PE5DR	PE4DR	PE3DR	PE2DR	PE1DR	PE0DR
Initial value :		0	0	0	0	0	0	0	0
Read/Write :		R/W	R/W	R/W	R/W	R/W	R/W	R/W	R/W

Stores output data for port E pins (PE7 to PE0)

**PFDR—Port F Data Register****H'FF0E****Port F**

Bit	:	7	6	5	4	3	2	1	0
		—	PF6DR	PF5DR	PF4DR	PF3DR	PF2DR	PF1DR	PF0DR
Initial value :		0	0	0	0	0	0	0	0
Read/Write :		R/W	R/W	R/W	R/W	R/W	R/W	R/W	R/W

Stores output data for port F pins (PF6 to PF0)

Bit	:	7	6	5	4	3	2	1	0
		CCLR2	CCLR1	CCLR0	CKEG1	CKEG0	TPSC2	TPSC1	TPSC0
Initial value :		0	0	0	0	0	0	0	0
Read/Write :		R/W	R/W	R/W	R/W	R/W	R/W	R/W	R/W

## Time prescaler

0	0	0	Internal clock: counts on $\phi/1$
		1	Internal clock: counts on $\phi/4$
	1	0	Internal clock: counts on $\phi/16$
		1	Internal clock: counts on $\phi/64$
1	0	0	External clock: counts on TCLKA pin input
		1	External clock: counts on TCLKB pin input
	1	0	External clock: counts on TCLKC pin input
		1	External clock: counts on TCLKD pin input

## Input clock edge select

0	0	Count at rising edge
	1	Count at falling edge
1	—	Count at both edges

Note: Internal clock edge selection is valid when the input clock is  $\phi/4$  or slower. This setting is ignored if is  $\phi/1$  is selected as the input clock.

## Counter clear

0	0	0	TCNT clearing disabled
		1	TCNT cleared by TGRA compare match/input capture
	1	0	TCNT cleared by TGRB compare match/input capture
		1	TCNT cleared by counter clearing for another channel performing synchronous clearing/synchronous operation*1
1	0	0	TCNT clearing disabled
		1	TCNT cleared by TGRC compare match/input capture*2
	1	0	TCNT cleared by TGRD compare match/input capture*2
		1	TCNT cleared by counter clearing for another channel performing synchronous clearing/synchronous operation*1

Notes: \*1 Synchronous operation setting is performed by setting the SYNC bit in TSYR to 1.

\*2 When TGRC or TGRD is used as a buffer register, TCNT is not cleared because the buffer register setting has priority, and compare match/input capture does not occur.

Bit	:	7	6	5	4	3	2	1	0
		—	—	BFB	BFA	MD3	MD2	MD1	MD0
Initial value :		1	1	0	0	0	0	0	0
Read/Write :		—	—	R/W	R/W	R/W	R/W	R/W	R/W

Mode

0	0	0	0	Normal operation	
				1	Reserved
		1	0	0	PWM mode 1
				1	PWM mode 2
	1	0	0	Phase counting mode 1	
				1	Phase counting mode 2
		1	0	0	Phase counting mode 3
				1	Phase counting mode 4
1	*	*	*	—	

\*: Don't care

- Notes: 1. MD3 is a reserved bit.  
In a write, it should always be written with 0.
2. Phase counting mode cannot be set for channel 0. In this case, 0 should always be written to MD2.

Buffer operation setting A

0	TGRA operates normally
1	TGRA and TGRC used together for buffer operation

Buffer operation setting B

0	TGRB operates normally
1	TGRB and TGRD used together for buffer operation



Bit	:	7	6	5	4	3	2	1	0
		IOB3	IOB2	IOB1	IOB0	IOA3	IOA2	IOA1	IOA0
Initial value :		0	0	0	0	0	0	0	0
Read/Write :		R/W	R/W	R/W	R/W	R/W	R/W	R/W	R/W

TGR0A I/O control

0	0	0	0	TGR0A is output compare register	Output disabled		
			1		Initial output is 0 output	0 output at compare match	
			0			1 output at compare match	
		1	Toggle output at compare match				
		1	0		0	Output disabled	
					1	Initial output is 1 output	0 output at compare match
	0			1 output at compare match			
	1	Toggle output at compare match					
	1	0	0	0	TGR0A is input capture register	Capture input source is TIOCA0 pin	Input capture at rising edge
				1			Input capture at falling edge
				*			Input capture at both edges
		1	*	*	Capture input source is channel 1/count clock		Input capture at TCNT1 count-up/ count-down

\*: Don't care

TGR0B I/O control

0	0	0	0	TGR0B is output compare register	Output disabled		
			1		Initial output is 0 output	0 output at compare match	
			0			1 output at compare match	
		1	Toggle output at compare match				
		1	0		0	Output disabled	
					1	Initial output is 1 output	0 output at compare match
	0			1 output at compare match			
	1	Toggle output at compare match					
	1	0	0	0	TGR0B is input capture register	Capture input source is TIOCB0 pin	Input capture at rising edge
				1			Input capture at falling edge
				*			Input capture at both edges
		1	*	*	Capture input source is channel 1/count clock		Input capture at TCNT1 count-up/ count-down <sup>*1</sup>

\*: Don't care

Note: \*1 When bits TPSC2 to TPSC0 in TCR1 are set to B'000 and a/1 is used as the TCNT1 count clock, this setting is invalid and input capture is not generated.

Bit	:	7	6	5	4	3	2	1	0
		IOD3	IOD2	IOD1	IOD0	IOC3	IOC2	IOC1	IOC0
Initial value :		0	0	0	0	0	0	0	0
Read/Write :		R/W	R/W	R/W	R/W	R/W	R/W	R/W	R/W

TGR0C I/O control

0	0	0	0	TGR0C is output compare register	Output disabled			
					1	0	Initial output is 0 output	0 output at compare match
							1 output at compare match	
		1	0		Toggle output at compare match			
		1	0		0	Output disabled		
						1	0	Initial output is 1 output
	1 output at compare match							
	1	0	Toggle output at compare match					
	1	0	0	0	TGR0C is input capture register	Capture input source is TIOCC0 pin	Input capture at rising edge	
							Input capture at falling edge	
							Input capture at both edges	
		1	*	*		Capture input source is channel 1/count clock	Input capture at TCNT1 count-up/count-down	

\*: Don't care

TGR0D I/O control

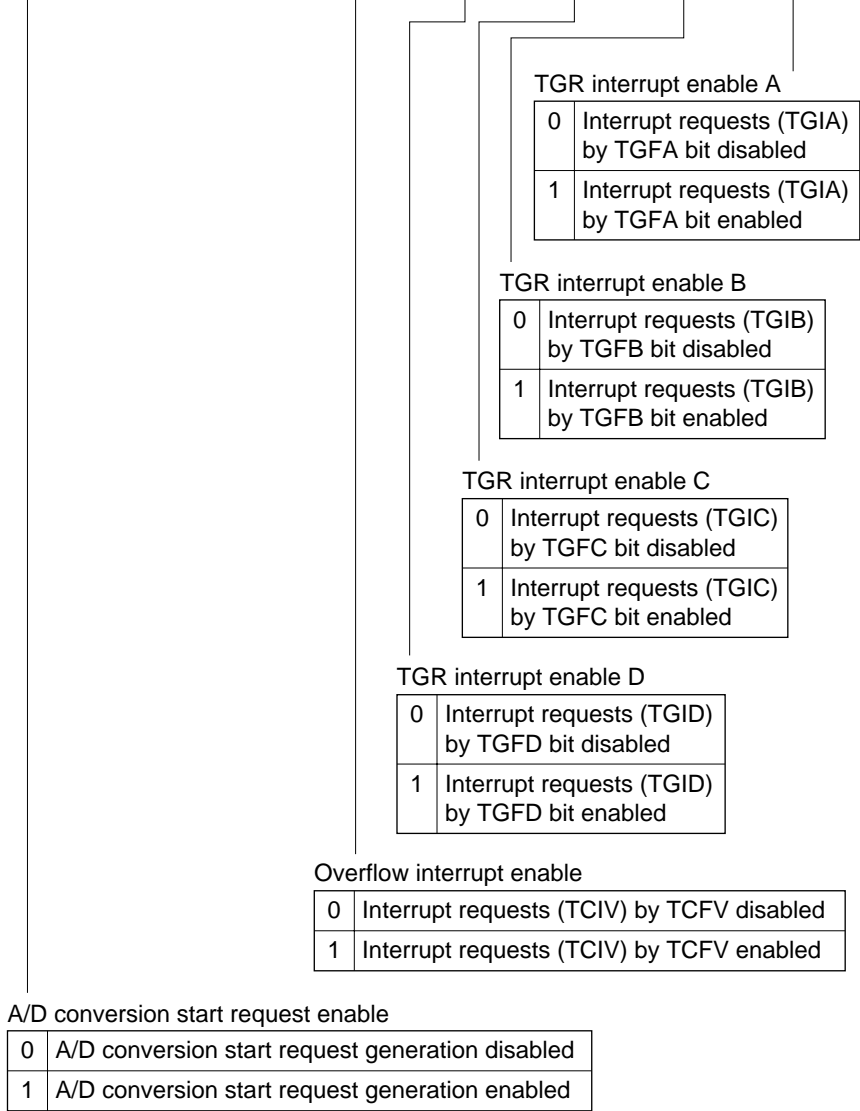
0	0	0	0	TGR0D is output compare register	Output disabled			
					1	0	Initial output is 0 output	0 output at compare match
							1 output at compare match	
		1	0		Toggle output at compare match			
		1	0		0	Output disabled		
						1	0	Initial output is 1 output
	1 output at compare match							
	1	0	Toggle output at compare match					
	1	0	0	0	TGR0D is input capture register	Capture input source is TIOCD0 pin	Input capture at rising edge	
							Input capture at falling edge	
							Input capture at both edges	
		1	*	*		Capture input source is channel 1/count clock	Input capture at TCNT1 count-up/count-down <sup>*1</sup>	

\*: Don't care

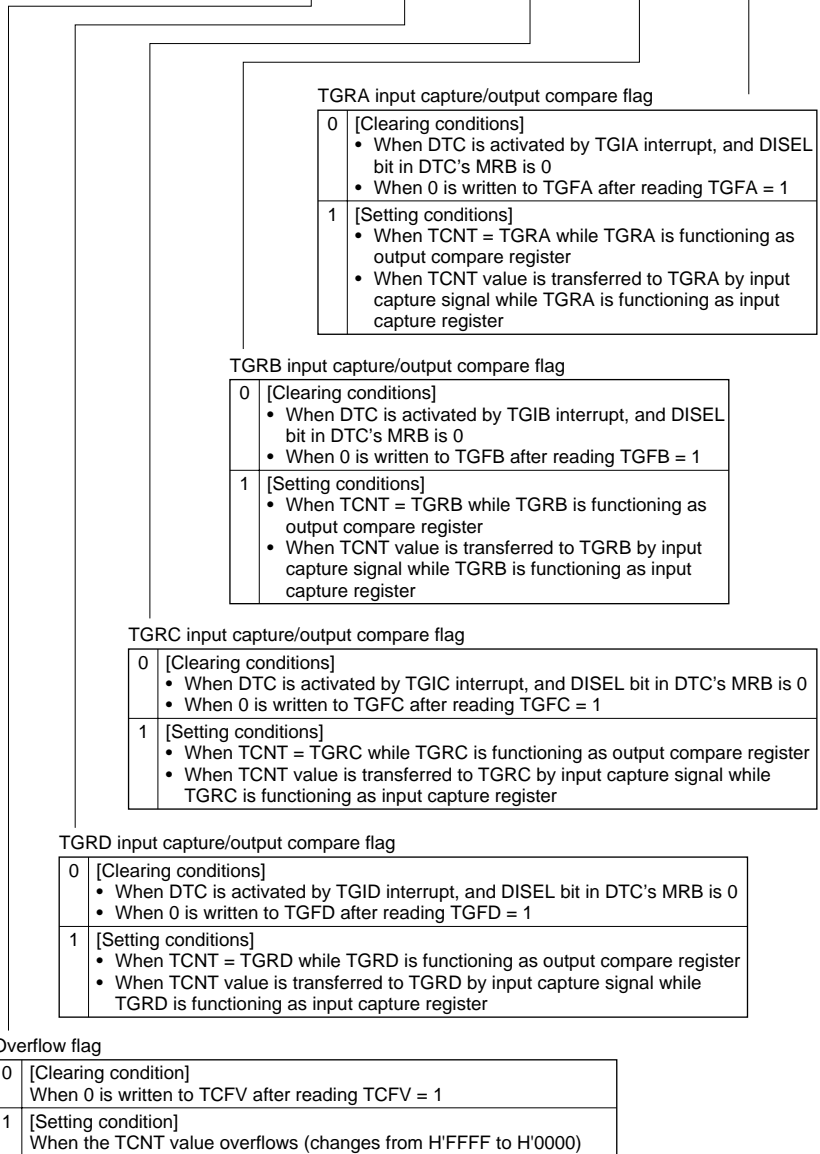
Note: <sup>\*1</sup> When bits TPSC2 to TPSC0 in TCR1 are set to B'000 and a/1 is used as the TCNT1 count clock, this setting is invalid and input capture is not generated.

Note: When TGR0C or TGR0D is designated for buffer operation, this setting is invalid and the register operates as a buffer register.

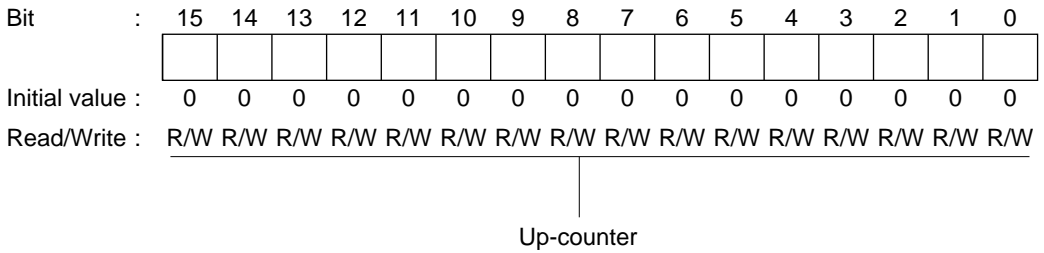
Bit	:	7	6	5	4	3	2	1	0
		TTGE	—	—	TCIEV	TGIED	TGIEC	TGIEB	TGIEA
Initial value :		0	1	0	0	0	0	0	0
Read/Write :		R/W	—	—	R/W	R/W	R/W	R/W	R/W



Bit	:	7	6	5	4	3	2	1	0
		—	—	—	TCFV	TGFD	TGFC	TGFB	TGFA
Initial value :		1	1	0	0	0	0	0	0
Read/Write :		—	—	—	R/(W)*	R/(W)*	R/(W)*	R/(W)*	R/(W)*



Note: \* Can only be written with 0 for flag clearing.



**TGR0A—Timer General Register 0A**

**H'FF18**

**TPU0**

**TGR0B—Timer General Register 0B**

**H'FF1A**

**TPU0**

**TGR0C—Timer General Register 0C**

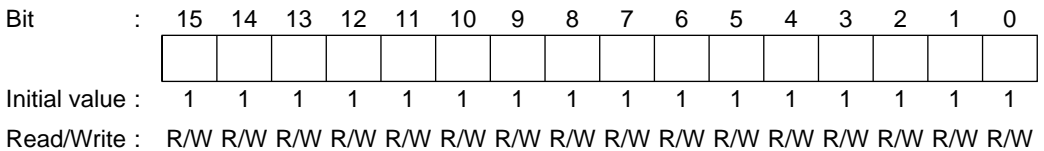
**H'FF1C**

**TPU0**

**TGR0D—Timer General Register 0D**

**H'FF1E**

**TPU0**



Bit	:	7	6	5	4	3	2	1	0
		—	CCLR1	CCLR0	CKEG1	CKEG0	TPSC2	TPSC1	TPSC0
Initial value :		0	0	0	0	0	0	0	0
Read/Write :		—	R/W	R/W	R/W	R/W	R/W	R/W	R/W

## Time prescaler

0	0	0	Internal clock: counts on $\varnothing/1$
		1	Internal clock: counts on $\varnothing/4$
	1	0	Internal clock: counts on $\varnothing/16$
		1	Internal clock: counts on $\varnothing/64$
1	0	0	External clock: counts on TCLKA pin input
		1	External clock: counts on TCLKB pin input
	1	0	Internal clock: counts on $\varnothing/256$
		1	Counts on TCNT2 overflow/underflow

Note: This setting is invalid when channel 1 is in phase counting mode.

## Input clock edge select

0	0	Count at rising edge
	1	Count at falling edge
1	—	Count at both edges

Note: This setting is invalid when channel 1 is in phase counting mode, and also when  $\varnothing/1$  or overflow/underflow of another channel is selected as the input clock.

## Counter clear

0	0	TCNT clearing disabled
	1	TCNT cleared by TGRA compare match/input capture
1	0	TCNT cleared by TGRB compare match/input capture
	1	TCNT cleared by counter clearing for another channel performing synchronous clearing/synchronous operation*

Note: \* Synchronous operation setting is performed by setting the SYNC bit in TSYR to 1.

Bit	:	7	6	5	4	3	2	1	0
		—	—	—	—	MD3	MD2	MD1	MD0
Initial value :		1	1	0	0	0	0	0	0
Read/Write :		—	—	—	—	R/W	R/W	R/W	R/W

## Mode

0	0	0	0	Normal operation
		1	Reserved	
		1	0	PWM mode 1
			1	PWM mode 2
	1	0	0	Phase counting mode 1
			1	Phase counting mode 2
		1	0	Phase counting mode 3
			1	Phase counting mode 4
1	*	*	*	—

\*: Don't care

Note: MD3 is a reserved bit. In a write, it should always be written with 0.

Bit	:	7	6	5	4	3	2	1	0
		IOB3	IOB2	IOB1	IOB0	IOA3	IOA2	IOA1	IOA0
Initial value :		0	0	0	0	0	0	0	0
Read/Write :		R/W	R/W	R/W	R/W	R/W	R/W	R/W	R/W

TGR1A I/O control

0	0	0	0	TGR1A is output compare register	Output disabled				
					1	0	Initial output is 0 output	0 output at compare match	
							1 output at compare match	Toggle output at compare match	
		1	0		0	Output disabled			
						1	0	Initial output is 1 output	0 output at compare match
								1 output at compare match	Toggle output at compare match
	1	0	0	TGR1A is input capture register	Capture input source is TIOCA1 pin				
					1	*	Input capture at rising edge	Input capture at falling edge	
							Input capture at both edges		
		1	*		*	Capture input source is TGR0A compare match/ input capture			
						Input capture at generation of channel 0/TGR0A compare match/ input capture			

\*: Don't care

TGR1B I/O control

0	0	0	TGR1B is output compare register	Output disabled					
				1	0	Initial output is 0 output	0 output at compare match		
						1 output at compare match	Toggle output at compare match		
		1		0	0	Output disabled			
						1	0	Initial output is 1 output	0 output at compare match
								1 output at compare match	Toggle output at compare match
	1	0	TGR1B is input capture register	Capture input source is TIOCB1 pin					
				1	*	Input capture at rising edge	Input capture at falling edge		
						Input capture at both edges			
		1		*	*	Capture input source is TGR0C compare match/ input capture			
						Input capture at generation of TGR0C compare match/ input capture			

\*: Don't care



Bit	:	7	6	5	4	3	2	1	0
		TTGE	—	TCIEU	TCIEV	—	—	TGIEB	TGIEA
Initial value :		0	1	0	0	0	0	0	0
Read/Write :		R/W	—	R/W	R/W	—	—	R/W	R/W

TGIA interrupt enable

0	Interrupt requests (TGIA) by TGFA bit disabled
1	Interrupt requests (TGIA) by TGFA bit enabled

TGIB interrupt enable

0	Interrupt requests (TGIB) by TGFB bit disabled
1	Interrupt requests (TGIB) by TGFB bit enabled

Overflow interrupt enable

0	Interrupt requests (TCIV) by TCFV disabled
1	Interrupt requests (TCIV) by TCFV enabled

Underflow interrupt enable

0	Interrupt requests (TCIU) by TCFU disabled
1	Interrupt requests (TCIU) by TCFU enabled

A/D conversion start request enable

0	A/D conversion start request generation disabled
1	A/D conversion start request generation enabled

Bit	:	7	6	5	4	3	2	1	0
		TCFD	—	TCFU	TCFV	—	—	TGFB	TGFA
Initial value :		1	1	0	0	0	0	0	0
Read/Write :		R	—	R/(W)*	R/(W)*	—	—	R/(W)*	R/(W)*

TGRA input capture/output compare flag

0	[Clearing conditions]
	<ul style="list-style-type: none"> <li>When DTC is activated by TGIA interrupt, and DISEL bit in DTC's MRB is 0</li> <li>When 0 is written to TGFA after reading TGFA = 1</li> </ul>
1	[Setting conditions]
	<ul style="list-style-type: none"> <li>When TCNT = TGRA while TGRA is functioning as output compare register</li> <li>When TCNT value is transferred to TGRA by input capture signal while TGRA is functioning as input capture register</li> </ul>

TGRB input capture/output compare flag

0	[Clearing conditions]
	<ul style="list-style-type: none"> <li>When DTC is activated by TGIB interrupt, and DISEL bit in DTC's MRB is 0</li> <li>When 0 is written to TGFB after reading TGFB = 1</li> </ul>
1	[Setting conditions]
	<ul style="list-style-type: none"> <li>When TCNT = TGRB while TGRB is functioning as output compare register</li> <li>When TCNT value is transferred to TGRB by input capture signal while TGRB is functioning as input capture register</li> </ul>

Overflow flag

0	[Clearing condition]
	When 0 is written to TCFV after reading TCFV = 1
1	[Setting condition]
	When the TCNT value overflows (changes from H'FFFF to H'0000)

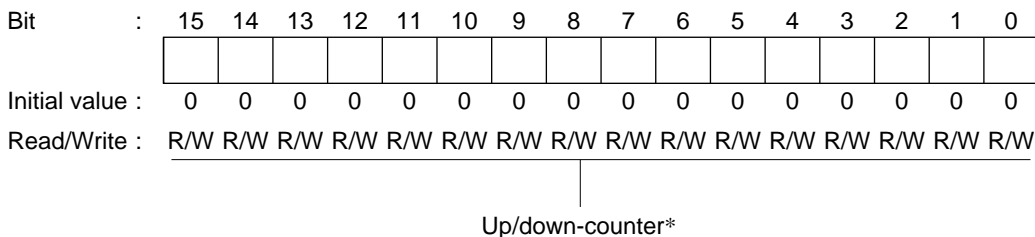
Underflow flag

0	[Clearing condition]
	When 0 is written to TCFU after reading TCFU = 1
1	[Setting condition]
	When the TCNT value underflows (changes from H'0000 to H'FFFF)

Counter direction flag

0	TCNT counts down
1	TCNT counts up

Note: \* Can only be written with 0 for flag clearing.



Note: \* This timer counter can be used as an up/down-counter only in phase counting mode or when performing overflow/underflow counting on another channel. In other cases it functions as an up-counter.

**TGR1A—Timer General Register 1A**

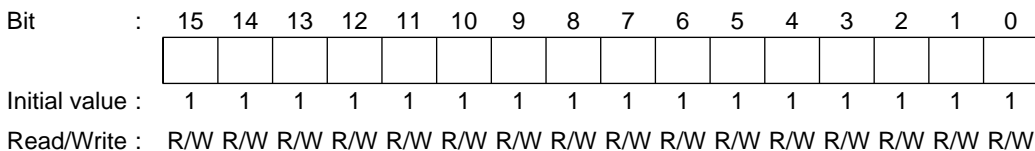
**H'FF28**

**TPU1**

**TGR1B—Timer General Register 1B**

**H'FF2A**

**TPU1**



Bit	:	7	6	5	4	3	2	1	0
		—	CCLR1	CCLR0	CKEG1	CKEG0	TPSC2	TPSC1	TPSC0
Initial value :		0	0	0	0	0	0	0	0
Read/Write :		—	R/W	R/W	R/W	R/W	R/W	R/W	R/W

## Time prescaler

0	0	0	Internal clock: counts on $\phi/1$
		1	Internal clock: counts on $\phi/4$
	1	0	Internal clock: counts on $\phi/16$
		1	Internal clock: counts on $\phi/64$
1	0	0	External clock: counts on TCLKA pin input
		1	External clock: counts on TCLKB pin input
	1	0	External clock: counts on TCLKC pin input
		1	Internal clock: counts on $\phi/1024$

Note: This setting is invalid when channel 2 is in phase counting mode.

## Input clock edge select

0	0	Count at rising edge
	1	Count at falling edge
1	—	Count at both edges

Note: This setting is invalid when channel 2 is in phase counting mode, and also when  $\phi/1$  is selected as the input clock.

## Counter clear

0	0	TCNT clearing disabled
	1	TCNT cleared by TGRA compare match/input capture
1	0	TCNT cleared by TGRB compare match/input capture
	1	TCNT cleared by counter clearing for another channel performing synchronous clearing/synchronous operation*

Note: \* Synchronous operation setting is performed by setting the SYNC bit in TSYR to 1.

Bit	:	7	6	5	4	3	2	1	0
		—	—	—	—	MD3	MD2	MD1	MD0
Initial value :		1	1	0	0	0	0	0	0
Read/Write :		—	—	—	—	R/W	R/W	R/W	R/W

## Mode

0	0	0	0	Normal operation
		1	Reserved	
		1	0	PWM mode 1
			1	PWM mode 2
	1	0	0	Phase counting mode 1
			1	Phase counting mode 2
		1	0	Phase counting mode 3
			1	Phase counting mode 4
1	*	*	*	—

\*: Don't care

Note: MD3 is a reserved bit. In a write, it should always be written with 0.

Bit	:	7	6	5	4	3	2	1	0
		IOB3	IOB2	IOB1	IOB0	IOA3	IOA2	IOA1	IOA0
Initial value :		0	0	0	0	0	0	0	0
Read/Write :		R/W	R/W	R/W	R/W	R/W	R/W	R/W	R/W

TGR2A I/O control

0	0	0	0	TGR2A is output compare register	Output disabled			
					1	Initial output is 0 output	0 output at compare match	
						0	1 output at compare match	
		1	0		0	Output disabled		
						1	Initial output is 1 output	0 output at compare match
							0	1 output at compare match
	1	*	0	TGR2A is input capture register	Capture input source is TIOCA2 pin	Input capture at rising edge		
					1	Input capture at falling edge		
						*	Input capture at both edges	

\*: Don't care

TGR2B I/O control

0	0	0	TGR2B is output compare register	Output disabled				
				1	Initial output is 0 output	0 output at compare match		
					0	1 output at compare match		
		1		0	0	Output disabled		
						1	Initial output is 1 output	0 output at compare match
							0	1 output at compare match
	1	*	0	TGR2B is input capture register	Capture input source is TIOCB2 pin	Input capture at rising edge		
					1	Input capture at falling edge		
						*	Input capture at both edges	

\*: Don't care

Bit	:	7	6	5	4	3	2	1	0
		TTGE	—	TCIEU	TCIEV	—	—	TGIEB	TGIEA
Initial value :		0	1	0	0	0	0	0	0
Read/Write :		R/W	—	R/W	R/W	—	—	R/W	R/W

TGIA interrupt enable

0	Interrupt requests (TGIA) by TGFA bit disabled
1	Interrupt requests (TGIA) by TGFA bit enabled

TGIB interrupt enable

0	Interrupt requests (TGIB) by TGFB bit disabled
1	Interrupt requests (TGIB) by TGFB bit enabled

Overflow interrupt enable

0	Interrupt requests (TCIV) by TCFV disabled
1	Interrupt requests (TCIV) by TCFV enabled

Underflow interrupt enable

0	Interrupt requests (TCIU) by TCFU disabled
1	Interrupt requests (TCIU) by TCFU enabled

A/D conversion start request enable

0	A/D conversion start request generation disabled
1	A/D conversion start request generation enabled

Bit	:	7	6	5	4	3	2	1	0
		TCFD	—	TCFU	TCFV	—	—	TGFB	TGFA
Initial value :		1	1	0	0	0	0	0	0
Read/Write :		R	—	R/(W)*	R/(W)*	—	—	R/(W)*	R/(W)*

TGRA input capture/output compare flag

0	[Clearing conditions]
	<ul style="list-style-type: none"> <li>When DTC is activated by TGIA interrupt, and DISEL bit in DTC's MRB is 0</li> <li>When 0 is written to TGFA after reading TGFA = 1</li> </ul>
1	[Setting conditions]
	<ul style="list-style-type: none"> <li>When TCNT = TGRA while TGRA is functioning as output compare register</li> <li>When TCNT value is transferred to TGRA by input capture signal while TGRA is functioning as input capture register</li> </ul>

TGRB input capture/output compare flag

0	[Clearing conditions]
	<ul style="list-style-type: none"> <li>When DTC is activated by TGIB interrupt, and DISEL bit in DTC's MRB is 0</li> <li>When 0 is written to TGFB after reading TGFB = 1</li> </ul>
1	[Setting conditions]
	<ul style="list-style-type: none"> <li>When TCNT = TGRB while TGRB is functioning as output compare register</li> <li>When TCNT value is transferred to TGRB by input capture signal while TGRB is functioning as input capture register</li> </ul>

Overflow flag

0	[Clearing condition]
	When 0 is written to TCFV after reading TCFV = 1
1	[Setting condition]
	When the TCNT value overflows (changes from H'FFFF to H'0000)

Underflow flag

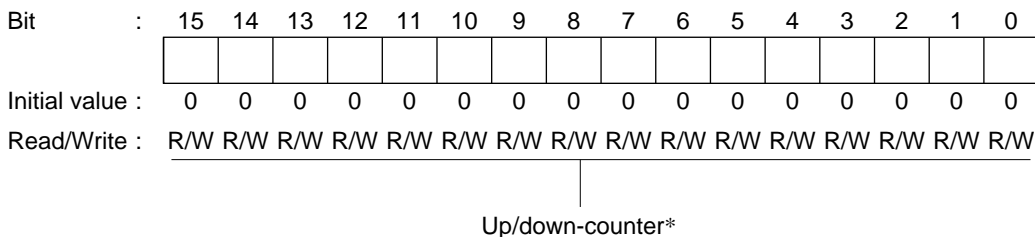
0	[Clearing condition]
	When 0 is written to TCFU after reading TCFU = 1
1	[Setting condition]
	When the TCNT value underflows (changes from H'0000 to H'FFFF)

Counter direction flag

0	TCNT counts down
1	TCNT counts up

Note: \* Can only be written with 0 for flag clearing.





Note: \* This timer counter can be used as an up/down-counter only in phase counting mode or when performing overflow/underflow counting on another channel. In other cases it functions as an up-counter.

**TGR2A—Timer General Register 2A**

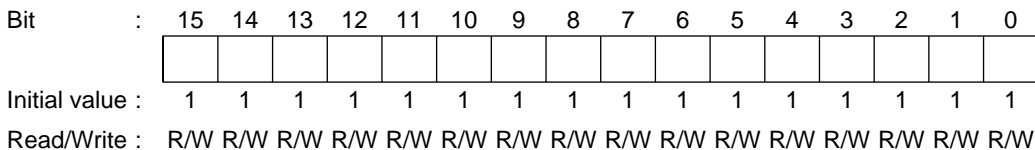
H'FF38

TPU2

**TGR2B—Timer General Register 2B**

H'FF3A

TPU2



Bit	:	7	6	5	4	3	2	1	0
		OVF	WT/IT	TME	—	—	CKS2	CKS1	CKS0
Initial value	:	0	0	0	1	1	0	0	0
Read/Write	:	R/(W)*	R/W	R/W	—	—	R/W	R/W	R/W

## Clock select

CKS2	CKS1	CKS0	Clock	Overflow Period* (when $\phi = 20$ MHz)
0	0	0	$\phi/2$ (Initial value)	25.6 $\mu$ s
		1	$\phi/64$	819.2 $\mu$ s
	1	0	$\phi/128$	1.6 ms
		1	$\phi/512$	6.6 ms
1	0	0	$\phi/2048$	26.2 ms
		1	$\phi/8192$	104.9 ms
	1	0	$\phi/32768$	419.4 ms
		1	$\phi/131072$	1.68 s

Note: \* The overflow period is the time from when TCNT starts counting up until overflow occurs.

## Timer enable

0	TCNT is initialized to H'00 and halted
1	TCNT counts

## Timer mode select

0	Interval timer mode: Sends the CPU an interval timer interrupt request (WOVI) when TCNT overflows
1	Watchdog timer mode: Generates the $\overline{\text{WDTOVF}}$ signal when TCNT overflows*

Note: \* For details of the case where TCNT overflows in watchdog timer mode, see section 12.2.3, Reset Control/Status Register (RSTCSR).

## Overflow flag

0	[Clearing conditions] When 0 is written to OVF after reading TCSR when OVF = 1
1	[Setting condition] When TCNT overflows (changes from H'FF to H'00) When internal reset request generation is selected in watchdog timer mode, OVF is cleared automatically by the internal reset

Notes: TCSR is write-protected by a password to prevent accidental overwriting. For details see section 12.2.5, Notes on register access.

\* Can only be written with 0 for flag clearing.

Bit	:	7	6	5	4	3	2	1	0										
		<table border="1" style="width: 100%; height: 20px;"> <tr> <td style="width: 12.5%;"></td> <td style="width: 12.5%;"></td> <td style="width: 12.5%;"></td> <td style="width: 12.5%;"></td> <td style="width: 12.5%;"></td> <td style="width: 12.5%;"></td> <td style="width: 12.5%;"></td> <td style="width: 12.5%;"></td> <td style="width: 12.5%;"></td> <td style="width: 12.5%;"></td> </tr> </table>																	
Initial value :		0	0	0	0	0	0	0	0										
Read/Write :		R/W	R/W	R/W	R/W	R/W	R/W	R/W	R/W										

Note: TCNT is write-protected by a password to prevent accidental overwriting. For details see section 12.2.5, Notes on register access.

**RSTCSR—Reset Control/Status Register**

Bit	:	7	6	5	4	3	2	1	0										
		<table border="1" style="width: 100%; height: 20px;"> <tr> <td style="width: 12.5%; text-align: center;">WOVF</td> <td style="width: 12.5%; text-align: center;">RSTE</td> <td style="width: 12.5%; text-align: center;">RSTS</td> <td style="width: 12.5%; text-align: center;">—</td> <td style="width: 12.5%; text-align: center;">—</td> <td style="width: 12.5%; text-align: center;">—</td> <td style="width: 12.5%; text-align: center;">—</td> <td style="width: 12.5%; text-align: center;">—</td> <td style="width: 12.5%; text-align: center;">—</td> <td style="width: 12.5%; text-align: center;">—</td> </tr> </table>								WOVF	RSTE	RSTS	—	—	—	—	—	—	—
WOVF	RSTE	RSTS	—	—	—	—	—	—	—										
Initial value :		0	0	0	1	1	1	1	1										
Read/Write :		R/(W)*	R/W	R/W	—	—	—	—	—										

Reset select

0	Power-on reset
1	Setting prohibited

Reset enable

0	Internal reset is not performed when TCNT overflows*
1	Internal reset is performed when TCNT overflows

Note: \* The modules within the chip are not reset, but TCNT and TCSR within the WDT are reset.

Watchdog overflow flag

0	[Clearing condition] When 0 is written to WOVF after reading TCSR when WOVF = 1
1	[Setting condition] When TCNT overflows (changes from H'FF to H'00) in watchdog timer mode

Notes: RSTCSR is write-protected by a password to prevent accidental overwriting. For details see section 12.2.5, Notes on register access.

\* Can only be written with 0 for flag clearing.

Bit	:	7	6	5	4	3	2	1	0
		C/ $\bar{A}$	CHR	PE	O/ $\bar{E}$	STOP	MP	CKS1	CKS0
Initial value :		0	0	0	0	0	0	0	0
Read/Write :		R/W	R/W	R/W	R/W	R/W	R/W	R/W	R/W

## Clock select

0	0	$\emptyset$ clock
	1	$\emptyset/4$ clock
1	0	$\emptyset/16$ clock
	1	$\emptyset/64$ clock

## Multiprocessor mode

0	Multiprocessor function disabled
1	Multiprocessor format selected

## Stop bit length

0	1 stop bit
1	2 stop bits

## Parity mode

0	Even parity*1
1	Odd parity*2

Notes: \*1 When even parity is set, parity bit addition is performed in transmission so that the total number of 1 bits in the transmit character plus the parity bit is even.  
In reception, a check is performed to see if the total number of 1 bits in the receive character plus the parity bit is even.

\*2 When odd parity is set, parity bit addition is performed in transmission so that the total number of 1 bits in the transmit character plus the parity bit is odd.  
In reception, a check is performed to see if the total number of 1 bits in the receive character plus the parity bit is odd.

## Parity enable

0	Parity bit addition and checking disabled
1	Parity bit addition and checking enabled*

Note: \* When the PE bit is set to 1, the parity (even or odd) specified by the O/ $\bar{E}$  bit is added to transmit data before transmission. In reception, the parity bit is checked for the parity (even or odd) specified by the O/ $\bar{E}$  bit.

## Character length

0	8-bit data
1	7-bit data*

Note: \* When 7-bit data is selected, the MSB (bit 7) of TDR is not transmitted.

## Asynchronous mode/synchronous mode select

0	Asynchronous mode
1	Synchronous mode

Bit	:	7	6	5	4	3	2	1	0
		GM	BLK	PE	O/ $\bar{E}$	BCP1	BCP0	CKS1	CKS0
Initial value :		0	0	0	0	0	0	0	0
Read/Write :		R/W	R/W	R/W	R/W	R/W	R/W	R/W	R/W

## Clock select

0	0	$\emptyset$ clock
	1	$\emptyset/4$ clock
1	0	$\emptyset/16$ clock
	1	$\emptyset/64$ clock

## Basic clock pulse

0	0	32 clock periods
	1	64 clock periods
1	0	372 clock periods
	1	256 clock periods

## Parity mode

0	Even parity*1
1	Odd parity*2

Notes: \*1 When even parity is set, parity bit addition is performed in transmission so that the total number of 1 bits in the transmit character plus the parity bit is even.

In reception, a check is performed to see if the total number of 1 bits in the receive character plus the parity bit is even.

\*2 When odd parity is set, parity bit addition is performed in transmission so that the total number of 1 bits in the transmit character plus the parity bit is odd.

In reception, a check is performed to see if the total number of 1 bits in the receive character plus the parity bit is odd.

## Parity enable

0	Parity bit addition and checking disabled
1	Parity bit addition and checking enabled

Note: When the smart card interface is used, be sure to make the 1 setting.

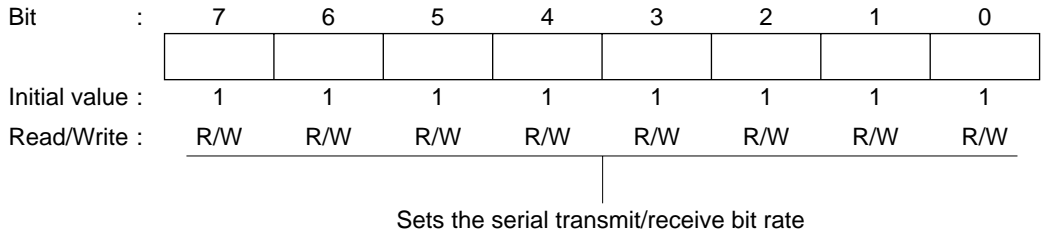
## Block transfer mode

0	Normal smart card interface mode operation <ul style="list-style-type: none"> <li>• Error signal transmission/detection and automatic data retransmission performed</li> <li>• TXI interrupt generated by TEND flag</li> <li>• TEND flag set 12.5 etu after start of transmission (11.0 etu in GSM mode)</li> </ul>
1	Block transfer mode operation <ul style="list-style-type: none"> <li>• Error signal transmission/detection and automatic data retransmission not performed</li> <li>• TXI interrupt generated by TDRE flag</li> <li>• TEND flag set 11.5 etu after start of transmission (11.0 etu in GSM mode)</li> </ul>

## GSM mode

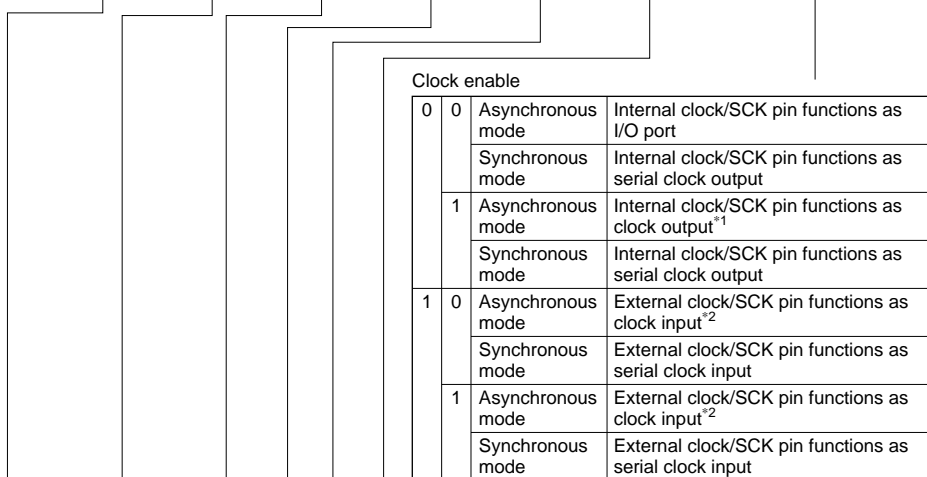
0	Normal smart card interface mode operation <ul style="list-style-type: none"> <li>• TEND flag generation 12.5 etu (11.5 etu in block transfer mode) after beginning of start bit</li> <li>• Clock output on/off control only</li> </ul>
1	GSM mode smart card interface mode operation <ul style="list-style-type: none"> <li>• TEND flag generation 11.0 etu after beginning of start bit</li> <li>• High/low fixing control possible in addition to clock output on/off control (set by SCR)</li> </ul>

Note: etu: Elementary Time Unit (time for transfer of 1 bit)



Note: For details see section 13.2.8, Bit Rate Register (BRR).

Bit	:	7	6	5	4	3	2	1	0
		TIE	RIE	TE	RE	MPIE	TEIE	CKE1	CKE0
Initial value :		0	0	0	0	0	0	0	0
Read/Write :		R/W	R/W	R/W	R/W	R/W	R/W	R/W	R/W



Clock enable

0	0	Asynchronous mode	Internal clock/SCK pin functions as I/O port
		Synchronous mode	Internal clock/SCK pin functions as serial clock output
1		Asynchronous mode	Internal clock/SCK pin functions as clock output*1
		Synchronous mode	Internal clock/SCK pin functions as serial clock output
1	0	Asynchronous mode	External clock/SCK pin functions as clock input*2
		Synchronous mode	External clock/SCK pin functions as serial clock input
1		Asynchronous mode	External clock/SCK pin functions as clock input*2
		Synchronous mode	External clock/SCK pin functions as serial clock input

Notes: \*1 Outputs a clock of the same frequency as the bit rate.  
 \*2 Inputs a clock with a frequency 16 times the bit rate.

Transmit end interrupt enable

0	Transmit end interrupt (TEI) request disabled
1	Transmit end interrupt (TEI) request enabled

Multiprocessor interrupt enable

0	Multiprocessor interrupts disabled [Clearing conditions] • When the MPIE bit is cleared to 0 • When data with MPB = 1 is received
1	Multiprocessor interrupts enabled Receive interrupt (RXI) requests, receive error interrupt (ERI) requests, and setting of the RDRF, FER, and ORER flags in SSR are disabled until data with the multiprocessor bit set to 1 is received

Receive enable

0	Reception disabled
1	Reception enabled

Transmit enable

0	Transmission disabled
1	Transmission enabled

Receive interrupt enable

0	Receive data full interrupt (RXI) request and receive error interrupt (ERI) request disabled
1	Receive data full interrupt (RXI) request and receive error interrupt (ERI) request enabled

Transmit interrupt enable

0	Transmit data empty interrupt (TXI) request disabled
1	Transmit data empty interrupt (TXI) request enabled

Note: For details of how to clear interrupt requests, see section 13.2.6, Serial Control Register (SCR).

Bit	7	6	5	4	3	2	1	0
	TIE	RIE	TE	RE	MPIE	TEIE	CKE1	CKE0
Initial value :	0	0	0	0	0	0	0	0
Read/Write :	R/W	R/W	R/W	R/W	R/W	R/W	R/W	R/W

Clock enable

SCMR	SMR	SCR Setting		SCK Pin Function	
SMIF	C/Ā, GM	CKE1	CKE0		
0				See the SCI specification	
1	0	0	0	Operates as port I/O pin	
			1	Outputs clock as SCK output pin	
			1	0	Operates as SCK output pin, with output fixed low
				1	Outputs clock as SCK output pin
			1	0	Operates as SCK output pin, with output fixed high
				1	Outputs clock as SCK output pin

Transmit end interrupt enable

0	Transmit end interrupt (TEI) request disabled
1	Transmit end interrupt (TEI) request enabled

Multiprocessor interrupt enable

0	Multiprocessor interrupts disabled [Clearing conditions] • When the MPIE bit is cleared to 0 • When data with MPB = 1 is received
1	Multiprocessor interrupts enabled Receive interrupt (RXI) requests, receive error interrupt (ERI) requests, and setting of the RDRF, FER, and ORER flags in SSR are disabled until data with the multiprocessor bit set to 1 is received

Receive enable

0	Reception disabled
1	Reception enabled

Transmit enable

0	Transmission disabled
1	Transmission enabled

Receive interrupt enable

0	Receive data full interrupt (RXI) request and receive error interrupt (ERI) request disabled
1	Receive data full interrupt (RXI) request and receive error interrupt (ERI) request enabled

Transmit interrupt enable

0	Transmit data empty interrupt (TXI) request disabled
1	Transmit data empty interrupt (TXI) request enabled

Note: For details of how to clear interrupt requests, see section 13.2.6, Serial Control Register (SCR).



Bit	:	7	6	5	4	3	2	1	0
Initial value :		1	1	1	1	1	1	1	1
Read/Write :		R/W	R/W	R/W	R/W	R/W	R/W	R/W	R/W

┆  
Stores data for serial transmission

Bit	7	6	5	4	3	2	1	0
	TDRE	RDRF	ORER	ERS	PER	TEND	MPB	MPBT
Initial value :	1	0	0	0	0	1	0	0
Read/Write :	R/(W)*	R/(W)*	R/(W)*	R/(W)*	R/(W)*	R	R	R/W

Multiprocessor bit transfer	
0	Data with a 0 multiprocessor bit is transmitted
1	Data with a 1 multiprocessor bit is transmitted

Multiprocessor bit	
0	[Clearing condition] When data with a 0 multiprocessor bit is received
1	[Setting condition] When data with a 1 multiprocessor bit is received

Transmit end	
0	[Clearing conditions] • When 0 is written to TDRE after reading TDRE = 1 • When the DTC is activated by a TXI interrupt and writes data to TDR
1	[Setting conditions] • When the TE bit in SCR is 0 • When TDRE = 1 at transmission of the last bit of a 1-byte serial transmit character

Parity error	
0	[Clearing condition] When 0 is written to PER after reading PER = 1
1	[Setting condition] When, in reception, the number of 1 bits in the receive data plus the parity bit does not match the parity setting (even or odd) specified by the O/E bit in SMR

Framing error	
0	[Clearing condition] When 0 is written to FER after reading FER = 1
1	[Setting condition] When the SCI checks whether the stop bit at the end of the receive data is 1 when reception ends, and the stop bit is 0

Overrun error	
0	[Clearing condition] When 0 is written to ORER after reading ORER = 1
1	[Setting condition] When the next serial reception is completed while RDRF = 1

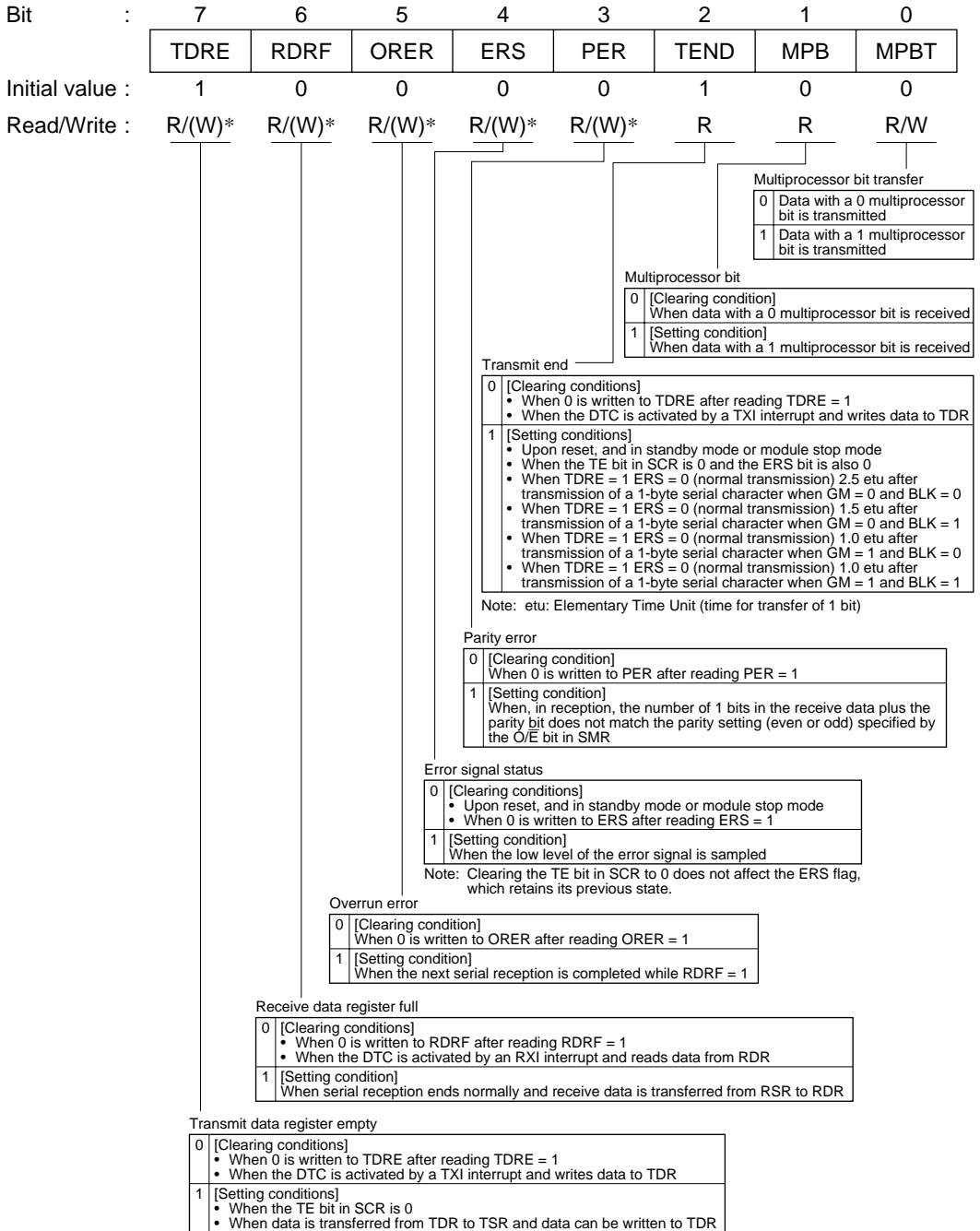
Receive data register full	
0	[Clearing conditions] • When 0 is written to RDRF after reading RDRF = 1 • When the DTC is activated by an RXI interrupt and reads data from RDR
1	[Setting condition] When serial reception ends normally and receive data is transferred from RSR to RDR

Transmit data register empty	
0	[Clearing conditions] • When 0 is written to TDRE after reading TDRE = 1 • When the DTC is activated by a TXI interrupt and writes data to TDR
1	[Setting conditions] • When the TE bit in SCR is 0 • When data is transferred from TDR to TSR and data can be written to TDR

Notes: For details, see section 13.2.7, Serial Status Register (SSR).

\* Can only be written with 0 for flag clearing.



Notes: For details, see section 14.2.2, Serial Status Register (SSR).

\* Can only be written with 0 for flag clearing.

**RDR0—Receive Data Register 0****H'FF7D****SCI0, Smart Card Interface**

Bit	:	7	6	5	4	3	2	1	0
Initial value :		0	0	0	0	0	0	0	0
Read/Write :		R	R	R	R	R	R	R	R

Stores received serial data

**SCMR0—Smart Card Mode Register 0****H'FF7E****SCI0, Smart Card Interface**

Bit	:	7	6	5	4	3	2	1	0
		—	—	—	—	SDIR	SINV	—	SMIF
Initial value :		1	1	1	1	0	0	1	0
Read/Write :		—	—	—	—	R/W	R/W	—	R/W

Smart card interface mode select

0	Smart card interface function is disabled
1	Smart card interface function is enabled

Smart card data invert

0	TDR contents are transmitted as they are Receive data is stored as it is in RDR
1	TDR contents are inverted before being transmitted Receive data is stored in inverted form in RDR

Smart card data transfer direction

0	TDR contents are transmitted LSB-first Receive data is stored in RDR LSB-first
1	TDR contents are transmitted MSB-first Receive data is stored in RDR MSB-first

Bit	:	7	6	5	4	3	2	1	0
		GM	BLK	PE	O/ $\bar{E}$	BCP1	BCP0	CKS1	CKS0
Initial value :		0	0	0	0	0	0	0	0
Read/Write :		R/W	R/W	R/W	R/W	R/W	R/W	R/W	R/W

## Clock select

0	0	$\emptyset$ clock
	1	$\emptyset/4$ clock
1	0	$\emptyset/16$ clock
	1	$\emptyset/64$ clock

## Basic clock pulse

0	0	32 clock periods
	1	64 clock periods
1	0	372 clock periods
	1	256 clock periods

## Parity mode

0	Even parity*1
1	Odd parity*2

Notes: \*1 When even parity is set, parity bit addition is performed in transmission so that the total number of 1 bits in the transmit character plus the parity bit is even.

In reception, a check is performed to see if the total number of 1 bits in the receive character plus the parity bit is even.

\*2 When odd parity is set, parity bit addition is performed in transmission so that the total number of 1 bits in the transmit character plus the parity bit is odd.

In reception, a check is performed to see if the total number of 1 bits in the receive character plus the parity bit is odd.

## Parity enable

0	Parity bit addition and checking disabled
1	Parity bit addition and checking enabled

Note: When the smart card interface is used, be sure to make the 1 setting.

## Block transfer mode

0	Normal smart card interface mode operation <ul style="list-style-type: none"> <li>• Error signal transmission/detection and automatic data retransmission performed</li> <li>• TXI interrupt generated by TEND flag</li> <li>• TEND flag set 12.5 etu after start of transmission (11.0 etu in GSM mode)</li> </ul>
1	Block transfer mode operation <ul style="list-style-type: none"> <li>• Error signal transmission/detection and automatic data retransmission not performed</li> <li>• TXI interrupt generated by TDRE flag</li> <li>• TEND flag set 11.5 etu after start of transmission (11.0 etu in GSM mode)</li> </ul>

## GSM mode

0	Normal smart card interface mode operation <ul style="list-style-type: none"> <li>• TEND flag generation 12.5 etu (11.5 etu in block transfer mode) after beginning of start bit</li> <li>• Clock output on/off control only</li> </ul>
1	GSM mode smart card interface mode operation <ul style="list-style-type: none"> <li>• TEND flag generation 11.0 etu after beginning of start bit</li> <li>• High/low fixing control possible in addition to clock output on/off control (set by SCR)</li> </ul>

Note: etu: Elementary Time Unit (time for transfer of 1 bit)

Bit	:	7	6	5	4	3	2	1	0
		GM	BLK	PE	O/E	BCP1	BCP0	CKS1	CKS0
Initial value :		0	0	0	0	0	0	0	0
Read/Write :		R/W	R/W	R/W	R/W	R/W	R/W	R/W	R/W

## Clock select

0	0	∅ clock
	1	∅/4 clock
1	0	∅/16 clock
	1	∅/64 clock

## Basic clock pulse

0	0	32 clock periods
	1	64 clock periods
1	0	372 clock periods
	1	256 clock periods

## Parity mode

0	Even parity*1
1	Odd parity*2

Notes: \*1 When even parity is set, parity bit addition is performed in transmission so that the total number of 1 bits in the transmit character plus the parity bit is even.

In reception, a check is performed to see if the total number of 1 bits in the receive character plus the parity bit is even.

\*2 When odd parity is set, parity bit addition is performed in transmission so that the total number of 1 bits in the transmit character plus the parity bit is odd.

In reception, a check is performed to see if the total number of 1 bits in the receive character plus the parity bit is odd.

## Parity enable

0	Parity bit addition and checking disabled
1	Parity bit addition and checking enabled

Note: When the smart card interface is used, be sure to make the 1 setting.

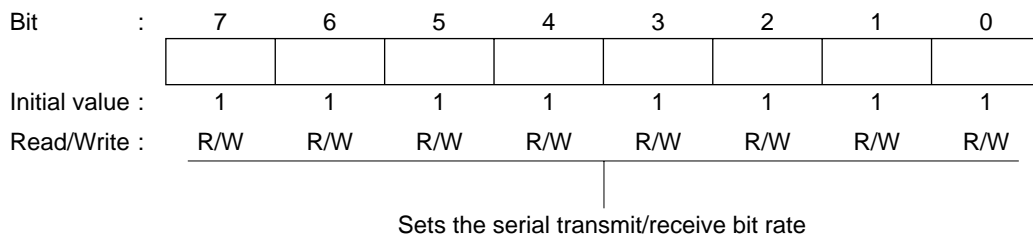
## Block transfer mode

0	Normal smart card interface mode operation <ul style="list-style-type: none"> <li>Error signal transmission/detection and automatic data retransmission performed</li> <li>TXI interrupt generated by TEND flag</li> <li>TEND flag set 12.5 etu after start of transmission (11.0 etu in GSM mode)</li> </ul>
1	Block transfer mode operation <ul style="list-style-type: none"> <li>Error signal transmission/detection and automatic data retransmission not performed</li> <li>TXI interrupt generated by TDRE flag</li> <li>TEND flag set 11.5 etu after start of transmission (11.0 etu in GSM mode)</li> </ul>

## GSM mode

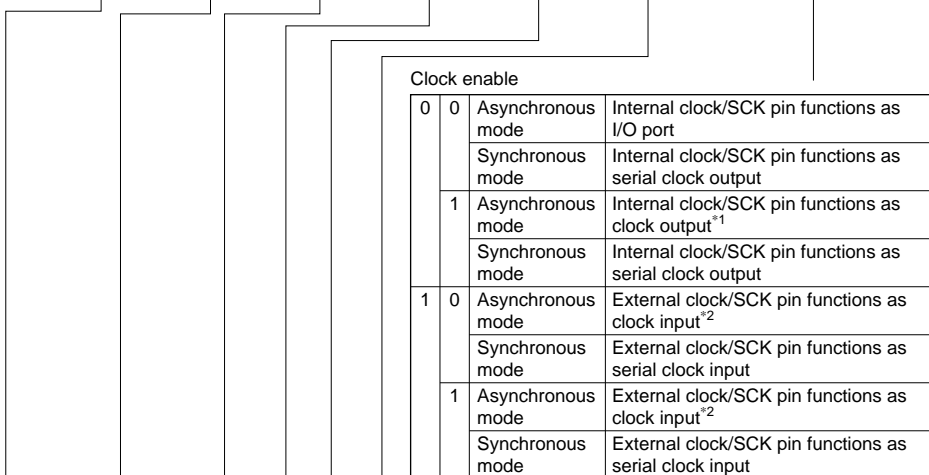
0	Normal smart card interface mode operation <ul style="list-style-type: none"> <li>TEND flag generation 12.5 etu (11.5 etu in block transfer mode) after beginning of start bit</li> <li>Clock output on/off control only</li> </ul>
1	GSM mode smart card interface mode operation <ul style="list-style-type: none"> <li>TEND flag generation 11.0 etu after beginning of start bit</li> <li>High/low fixing control possible in addition to clock output on/off control (set by SCR)</li> </ul>

Note: etu: Elementary Time Unit (time for transfer of 1 bit)



Note: For details see section 13.2.8, Bit Rate Register (BRR).

Bit	:	7	6	5	4	3	2	1	0
		TIE	RIE	TE	RE	MPIE	TEIE	CKE1	CKE0
Initial value :		0	0	0	0	0	0	0	0
Read/Write :		R/W	R/W	R/W	R/W	R/W	R/W	R/W	R/W



0	0	Asynchronous mode	Internal clock/SCK pin functions as I/O port
		Synchronous mode	Internal clock/SCK pin functions as serial clock output
1		Asynchronous mode	Internal clock/SCK pin functions as clock output*1
		Synchronous mode	Internal clock/SCK pin functions as serial clock output
1	0	Asynchronous mode	External clock/SCK pin functions as clock input*2
		Synchronous mode	External clock/SCK pin functions as serial clock input
1		Asynchronous mode	External clock/SCK pin functions as clock input*2
		Synchronous mode	External clock/SCK pin functions as serial clock input

Notes: \*1 Outputs a clock of the same frequency as the bit rate.  
 \*2 Inputs a clock with a frequency 16 times the bit rate.

Transmit end interrupt enable

0	Transmit end interrupt (TEI) request disabled
1	Transmit end interrupt (TEI) request enabled

Multiprocessor interrupt enable

0	Multiprocessor interrupts disabled [Clearing conditions] • When the MPIE bit is cleared to 0 • When data with MPB = 1 is received
1	Multiprocessor interrupts enabled Receive interrupt (RXI) requests, receive error interrupt (ERI) requests, and setting of the RDRF, FER, and ORER flags in SSR are disabled until data with the multiprocessor bit set to 1 is received

Receive enable

0	Reception disabled
1	Reception enabled

Transmit enable

0	Transmission disabled
1	Transmission enabled

Receive interrupt enable

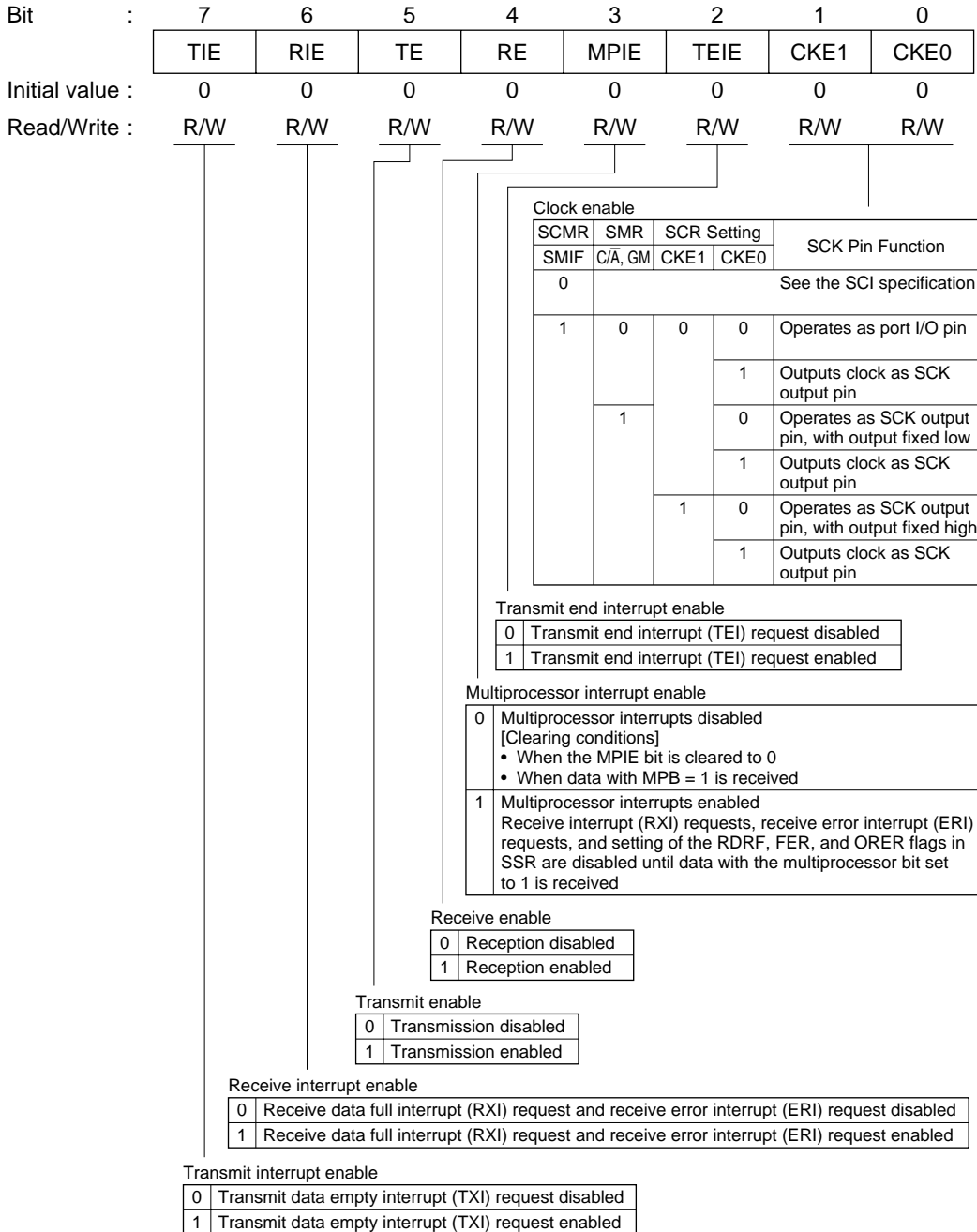
0	Receive data full interrupt (RXI) request and receive error interrupt (ERI) request disabled
1	Receive data full interrupt (RXI) request and receive error interrupt (ERI) request enabled

Transmit interrupt enable

0	Transmit data empty interrupt (TXI) request disabled
1	Transmit data empty interrupt (TXI) request enabled

Note: For details of how to clear interrupt requests, see section 13.2.6, Serial Control Register (SCR).





Note: For details of how to clear interrupt requests, see section 13.2.6, Serial Control Register (SCR).

Bit	:	7	6	5	4	3	2	1	0
Initial value :		1	1	1	1	1	1	1	1
Read/Write :		R/W	R/W	R/W	R/W	R/W	R/W	R/W	R/W

Stores data for serial transmission

Bit	7	6	5	4	3	2	1	0
	TDRE	RDRF	ORER	FER	PER	TEND	MPB	MPBT
Initial value :	1	0	0	0	0	1	0	0
Read/Write :	R/(W)*	R/(W)*	R/(W)*	R/(W)*	R/(W)*	R	R	R/W

Multiprocessor bit transfer	
0	Data with a 0 multiprocessor bit is transmitted
1	Data with a 1 multiprocessor bit is transmitted

Multiprocessor bit	
0	[Clearing condition] When data with a 0 multiprocessor bit is received
1	[Setting condition] When data with a 1 multiprocessor bit is received

Transmit end	
0	[Clearing conditions] • When 0 is written to TDRE after reading TDRE = 1 • When the DTC is activated by a TXI interrupt and writes data to TDR
1	[Setting conditions] • When the TE bit in SCR is 0 • When TDRE = 1 at transmission of the last bit of a 1-byte serial transmit character

Parity error	
0	[Clearing condition] When 0 is written to PER after reading PER = 1
1	[Setting condition] When, in reception, the number of 1 bits in the receive data plus the parity bit does not match the parity setting (even or odd) specified by the O/E bit in SMR

Framing error	
0	[Clearing condition] When 0 is written to FER after reading FER = 1
1	[Setting condition] When the SCI checks whether the stop bit at the end of the receive data is 1 when reception ends, and the stop bit is 0

Overrun error	
0	[Clearing condition] When 0 is written to ORER after reading ORER = 1
1	[Setting condition] When the next serial reception is completed while RDRF = 1

Receive data register full	
0	[Clearing conditions] • When 0 is written to RDRF after reading RDRF = 1 • When the DTC is activated by an RXI interrupt and reads data from RDR
1	[Setting condition] When serial reception ends normally and receive data is transferred from RSR to RDR

Transmit data register empty	
0	[Clearing conditions] • When 0 is written to TDRE after reading TDRE = 1 • When the DTC is activated by a TXI interrupt and writes data to TDR
1	[Setting conditions] • When the TE bit in SCR is 0 • When data is transferred from TDR to TSR and data can be written to TDR

Notes: For details, see section 13.2.7, Serial Status Register (SSR).

\* Can only be written with 0 for flag clearing.

Bit	7	6	5	4	3	2	1	0
	TDRE	RDRF	ORER	ERS	PER	TEND	MPB	MPBT
Initial value :	1	0	0	0	0	1	0	0
Read/Write :	R/(W)*	R/(W)*	R/(W)*	R/(W)*	R/(W)*	R	R	R/W

Multiprocessor bit transfer	
0	Data with a 0 multiprocessor bit is transmitted
1	Data with a 1 multiprocessor bit is transmitted

Multiprocessor bit	
0	[Clearing condition] When data with a 0 multiprocessor bit is received
1	[Setting condition] When data with a 1 multiprocessor bit is received

Transmit end	
0	[Clearing conditions] • When 0 is written to TDRE after reading TDRE = 1 • When the DTC is activated by a TXI interrupt and writes data to TDR
1	[Setting conditions] • Upon reset, and in standby mode or module stop mode • When the TE bit in SCR is 0 and the ERS bit is also 0 • When TDRE = 1 ERS = 0 (normal transmission) 2.5 etu after transmission of a 1-byte serial character when GM = 0 and BLK = 0 • When TDRE = 1 ERS = 0 (normal transmission) 1.5 etu after transmission of a 1-byte serial character when GM = 0 and BLK = 1 • When TDRE = 1 ERS = 0 (normal transmission) 1.0 etu after transmission of a 1-byte serial character when GM = 1 and BLK = 0 • When TDRE = 1 ERS = 0 (normal transmission) 1.0 etu after transmission of a 1-byte serial character when GM = 1 and BLK = 1

Note: etu: Elementary Time Unit (time for transfer of 1 bit)

Parity error	
0	[Clearing condition] When 0 is written to PER after reading PER = 1
1	[Setting condition] When, in reception, the number of 1 bits in the receive data plus the parity bit does not match the parity setting (even or odd) specified by the O/E bit in SMR

Error signal status	
0	[Clearing conditions] • Upon reset, and in standby mode or module stop mode • When 0 is written to ERS after reading ERS = 1
1	[Setting condition] When the low level of the error signal is sampled

Note: Clearing the TE bit in SCR to 0 does not affect the ERS flag, which retains its previous state.

Overrun error	
0	[Clearing condition] When 0 is written to ORER after reading ORER = 1
1	[Setting condition] When the next serial reception is completed while RDRF = 1

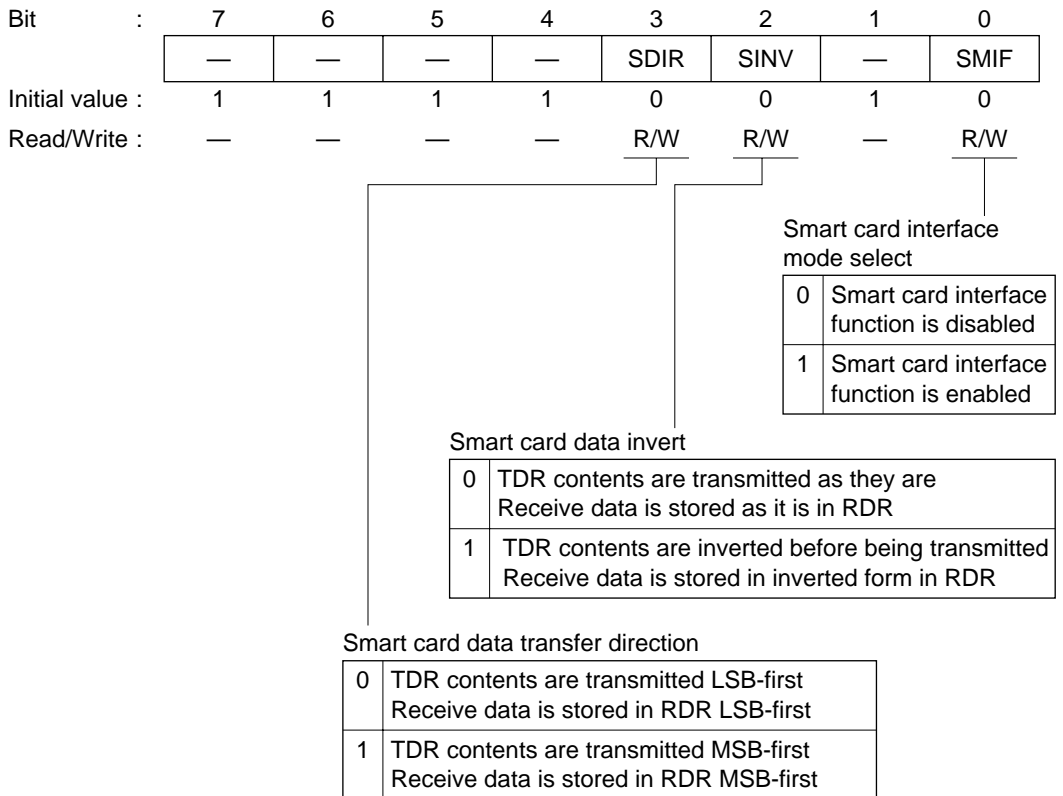
Receive data register full	
0	[Clearing conditions] • When 0 is written to RDRF after reading RDRF = 1 • When the DTC is activated by an RXI interrupt and reads data from RDR
1	[Setting condition] When serial reception ends normally and receive data is transferred from RSR to RDR

Transmit data register empty	
0	[Clearing conditions] • When 0 is written to TDRE after reading TDRE = 1 • When the DTC is activated by a TXI interrupt and writes data to TDR
1	[Setting conditions] • When the TE bit in SCR is 0 • When data is transferred from TDR to TSR and data can be written to TDR

Notes: For details, see section 14.2.2, Serial Status Register (SSR).

\* Can only be written with 0 for flag clearing.

**RDR1—Receive Data Register 1****H'FF85****SCI, Smart Card Interface****SCMR1—Smart Card Mode Register 1****H'FF86****SCI, Smart Card Interface**

Bit	:	7	6	5	4	3	2	1	0
		C/ $\bar{A}$	CHR	PE	O/ $\bar{E}$	STOP	MP	CKS1	CKS0
Initial value :		0	0	0	0	0	0	0	0
Read/Write :		R/W	R/W	R/W	R/W	R/W	R/W	R/W	R/W

## Clock select

0	0	$\emptyset$ clock
	1	$\emptyset/4$ clock
1	0	$\emptyset/16$ clock
	1	$\emptyset/64$ clock

## Multiprocessor mode

0	Multiprocessor function disabled
1	Multiprocessor format selected

## Stop bit length

0	1 stop bit
1	2 stop bits

## Parity mode

0	Even parity*1
1	Odd parity*2

Notes: \*1 When even parity is set, parity bit addition is performed in transmission so that the total number of 1 bits in the transmit character plus the parity bit is even. In reception, a check is performed to see if the total number of 1 bits in the receive character plus the parity bit is even.

\*2 When odd parity is set, parity bit addition is performed in transmission so that the total number of 1 bits in the transmit character plus the parity bit is odd. In reception, a check is performed to see if the total number of 1 bits in the receive character plus the parity bit is odd.

## Parity enable

0	Parity bit addition and checking disabled
1	Parity bit addition and checking enabled*

Note: \* When the PE bit is set to 1, the parity (even or odd) specified by the O/ $\bar{E}$  bit is added to transmit data before transmission. In reception, the parity bit is checked for the parity (even or odd) specified by the O/ $\bar{E}$  bit.

## Character length

0	8-bit data
1	7-bit data*

Note: \* When 7-bit data is selected, the MSB (bit 7) of TDR is not transmitted.

## Asynchronous mode/synchronous mode select

0	Asynchronous mode
1	Synchronous mode

Bit	:	7	6	5	4	3	2	1	0
		GM	BLK	PE	O/ $\bar{E}$	BCP1	BCP0	CKS1	CKS0
Initial value :		0	0	0	0	0	0	0	0
Read/Write :		R/W	R/W	R/W	R/W	R/W	R/W	R/W	R/W

Clock select		
0	0	$\emptyset$ clock
	1	$\emptyset/4$ clock
1	0	$\emptyset/16$ clock
	1	$\emptyset/64$ clock

## Basic clock pulse

0	0	32 clock periods
	1	64 clock periods
1	0	372 clock periods
	1	256 clock periods

## Parity mode

0	Even parity*1
1	Odd parity*2

Notes: \*1 When even parity is set, parity bit addition is performed in transmission so that the total number of 1 bits in the transmit character plus the parity bit is even.

In reception, a check is performed to see if the total number of 1 bits in the receive character plus the parity bit is even.

\*2 When odd parity is set, parity bit addition is performed in transmission so that the total number of 1 bits in the transmit character plus the parity bit is odd.

In reception, a check is performed to see if the total number of 1 bits in the receive character plus the parity bit is odd.

## Parity enable

0	Parity bit addition and checking disabled
1	Parity bit addition and checking enabled

Note: When the smart card interface is used, be sure to make the 1 setting.

## Block transfer mode

0	Normal smart card interface mode operation <ul style="list-style-type: none"> <li>Error signal transmission/detection and automatic data retransmission performed</li> <li>TXI interrupt generated by TEND flag</li> <li>TEND flag set 12.5 etu after start of transmission (11.0 etu in GSM mode)</li> </ul>
1	Block transfer mode operation <ul style="list-style-type: none"> <li>Error signal transmission/detection and automatic data retransmission not performed</li> <li>TXI interrupt generated by TDRE flag</li> <li>TEND flag set 11.5 etu after start of transmission (11.0 etu in GSM mode)</li> </ul>

## GSM mode

0	Normal smart card interface mode operation <ul style="list-style-type: none"> <li>TEND flag generation 12.5 etu (11.5 etu in block transfer mode) after beginning of start bit</li> <li>Clock output on/off control only</li> </ul>
1	GSM mode smart card interface mode operation <ul style="list-style-type: none"> <li>TEND flag generation 11.0 etu after beginning of start bit</li> <li>High/low fixing control possible in addition to clock output on/off control (set by SCR)</li> </ul>

Note: etu: Elementary Time Unit (time for transfer of 1 bit)

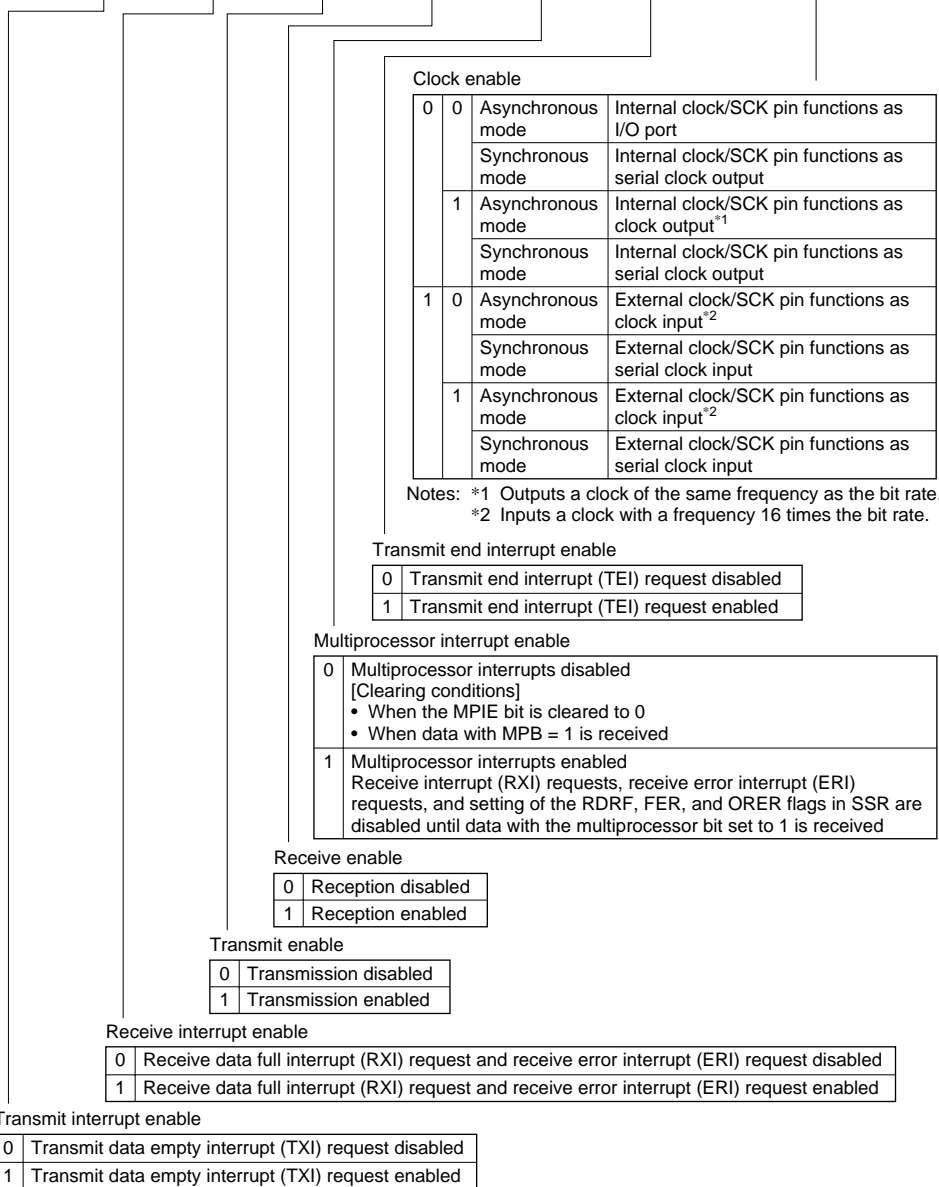
Bit	:	7	6	5	4	3	2	1	0
Initial value :		1	1	1	1	1	1	1	1
Read/Write :		R/W	R/W	R/W	R/W	R/W	R/W	R/W	R/W

Sets the serial transmit/receive bit rate

Note: For details see section 13.2.8, Bit Rate Register (BRR).



Bit	:	7	6	5	4	3	2	1	0
		TIE	RIE	TE	RE	MPIE	TEIE	CKE1	CKE0
Initial value :		0	0	0	0	0	0	0	0
Read/Write :		R/W	R/W	R/W	R/W	R/W	R/W	R/W	R/W



Note: For details of how to clear interrupt requests, see section 13.2.6, Serial Control Register (SCR).

Bit	:	7	6	5	4	3	2	1	0
		TIE	RIE	TE	RE	MPIE	TEIE	CKE1	CKE0
Initial value :		0	0	0	0	0	0	0	0
Read/Write :		R/W	R/W	R/W	R/W	R/W	R/W	R/W	R/W

Clock enable

SCMR	SMR	SCR Setting		SCK Pin Function
SMIF	C/Ā, GM	CKE1	CKE0	
0				See the SCl specification
1	0	0	0	Operates as port I/O pin
			1	Outputs clock as SCK output pin
	1		0	Operates as SCK output pin, with output fixed low
			1	Outputs clock as SCK output pin
	1		0	Operates as SCK output pin, with output fixed high
			1	Outputs clock as SCK output pin

Transmit end interrupt enable

0	Transmit end interrupt (TEI) request disabled
1	Transmit end interrupt (TEI) request enabled

Multiprocessor interrupt enable

0	Multiprocessor interrupts disabled [Clearing conditions] • When the MPIE bit is cleared to 0 • When data with MPB = 1 is received
1	Multiprocessor interrupts enabled Receive interrupt (RXI) requests, receive error interrupt (ERI) requests, and setting of the RDRF, FER, and ORER flags in SSR are disabled until data with the multiprocessor bit set to 1 is received

Receive enable

0	Reception disabled
1	Reception enabled

Transmit enable

0	Transmission disabled
1	Transmission enabled

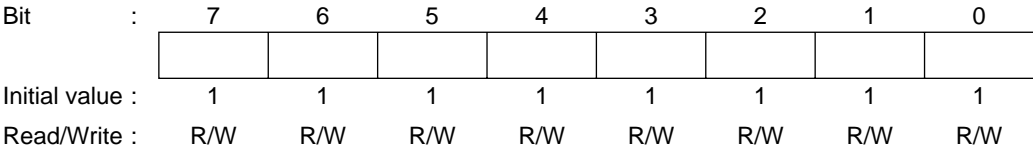
Receive interrupt enable

0	Receive data full interrupt (RXI) request and receive error interrupt (ERI) request disabled
1	Receive data full interrupt (RXI) request and receive error interrupt (ERI) request enabled

Transmit interrupt enable

0	Transmit data empty interrupt (TXI) request disabled
1	Transmit data empty interrupt (TXI) request enabled

Note: For details of how to clear interrupt requests, see section 13.2.6, Serial Control Register (SCR).



Stores data for serial transmission

Bit	7	6	5	4	3	2	1	0
	TDRE	RDRF	ORER	FER	PER	TEND	MPB	MPBT
Initial value :	1	0	0	0	0	1	0	0
Read/Write :	R/(W)*	R/(W)*	R/(W)*	R/(W)*	R/(W)*	R	R	R/W

Multiprocessor bit transfer	
0	Data with a 0 multiprocessor bit is transmitted
1	Data with a 1 multiprocessor bit is transmitted

Multiprocessor bit	
0	[Clearing condition] When data with a 0 multiprocessor bit is received
1	[Setting condition] When data with a 1 multiprocessor bit is received

Transmit end	
0	[Clearing conditions] • When 0 is written to TDRE after reading TDRE = 1 • When the DTC is activated by a TXI interrupt and writes data to TDR
1	[Setting conditions] • When the TE bit in SCR is 0 • When TDRE = 1 at transmission of the last bit of a 1-byte serial transmit character

Parity error	
0	[Clearing condition] When 0 is written to PER after reading PER = 1
1	[Setting condition] When, in reception, the number of 1 bits in the receive data plus the parity bit does not match the parity setting (even or odd) specified by the O/E bit in SMR

Framing error	
0	[Clearing condition] When 0 is written to FER after reading FER = 1
1	[Setting condition] When the SCI checks whether the stop bit at the end of the receive data is 1 when reception ends, and the stop bit is 0

Overrun error	
0	[Clearing condition] When 0 is written to ORER after reading ORER = 1
1	[Setting condition] When the next serial reception is completed while RDRF = 1

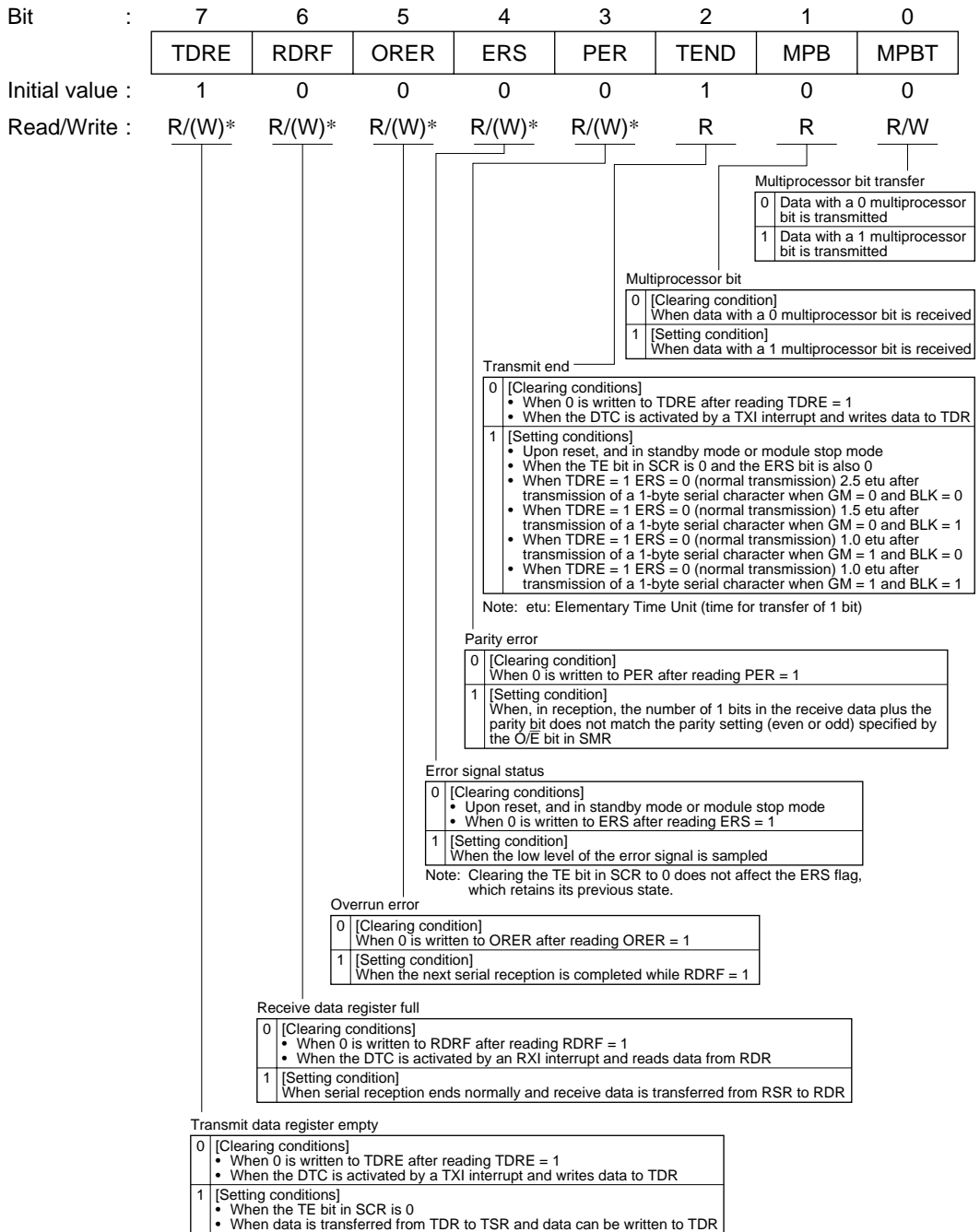
Receive data register full	
0	[Clearing conditions] • When 0 is written to RDRF after reading RDRF = 1 • When the DTC is activated by an RXI interrupt and reads data from RDR
1	[Setting condition] When serial reception ends normally and receive data is transferred from RSR to RDR

Transmit data register empty	
0	[Clearing conditions] • When 0 is written to TDRE after reading TDRE = 1 • When the DTC is activated by a TXI interrupt and writes data to TDR
1	[Setting conditions] • When the TE bit in SCR is 0 • When data is transferred from TDR to TSR and data can be written to TDR

Notes: For details, see section 13.2.7, Serial Status Register (SSR).

\* Can only be written with 0 for flag clearing.



Notes: For details, see section 14.2.2, Serial Status Register (SSR).

\* Can only be written with 0 for flag clearing.

**RDR2—Receive Data Register 2****H'FF8D****SCI, Smart Card Interface**

Bit	:	7	6	5	4	3	2	1	0
Initial value :		0	0	0	0	0	0	0	0
Read/Write :		R	R	R	R	R	R	R	R

Stores received serial data

**SCMR2—Smart Card Mode Register 2****H'FF8E****SCI, Smart Card Interface**

Bit	:	7	6	5	4	3	2	1	0
		—	—	—	—	SDIR	SINV	—	SMIF
Initial value :		1	1	1	1	0	0	1	0
Read/Write :		—	—	—	—	R/W	R/W	—	R/W

Smart card interface mode select

0	Smart card interface function is disabled
1	Smart card interface function is enabled

Smart card data invert

0	TDR contents are transmitted as they are Receive data is stored as it is in RDR
1	TDR contents are inverted before being transmitted Receive data is stored in inverted form in RDR

Smart card data transfer direction

0	TDR contents are transmitted LSB-first Receive data is stored in RDR LSB-first
1	TDR contents are transmitted MSB-first Receive data is stored in RDR MSB-first

<b>ADDRA—A/D Data Register A</b>	<b>H'FF90</b>	<b>A/D Converter</b>
<b>ADDRB—A/D Data Register B</b>	<b>H'FF92</b>	<b>A/D Converter</b>
<b>ADDRC—A/D Data Register C</b>	<b>H'FF94</b>	<b>A/D Converter</b>
<b>ADDRD—A/D Data Register D</b>	<b>H'FF96</b>	<b>A/D Converter</b>

Bit	:	15	14	13	12	11	10	9	8	7	6	5	4	3	2	1	0
		AD9	AD8	AD7	AD6	AD5	AD4	AD3	AD2	AD1	AD0	—	—	—	—	—	—
Initial value :		0	0	0	0	0	0	0	0	0	0	0	0	0	0	0	0
Read/Write :		R	R	R	R	R	R	R	R	R	R	R	R	R	R	R	R

Analog input channels and corresponding ADDR registers

Analog Input Channel				A/D Data Register
Channel Set 0 (CH3 = 0)		Channel Set 1 (CH3 = 1)		
Group 0	Group 1	Group 0	Group 1	
AN0	AN4	AN8	AN12	ADDRA
AN1	AN5	AN9	AN13	ADDRB
AN2	AN6	AN10	AN14	ADDRC
AN3	AN7	AN11	AN15	ADDRD

Note: The upper byte can be read directly, but for the lower byte, data transfer is performed via a temporary register (TEMP). For details see section 16.3, Interface to Bus Master.

Bit	:	7	6	5	4	3	2	1	0
		ADF	ADIE	ADST	SCAN	CH3	CH2	CH1	CH0
Initial value :		0	0	0	0	0	0	0	0
Read/Write :		R/W*	R/W	R/W	R/W	R/W	R/W	R/W	R/W

## Channel select

CH3	CH2	CH1	CH0	Single Mode (SCAN = 0)	Scan Mode (SCAN = 1)
0	0	0	0	AN0 (Initial value)	AN0
			1	AN1	AN0, AN1
			1	AN2	AN0 to AN2
	1	0	0	AN3	AN0 to AN3
			1	AN4	AN4
			1	AN5	AN4, AN5
1	0	0	0	AN6	AN4 to AN6
			1	AN7	AN4 to AN7
			1	AN8	AN8
	1	0	0	AN9	AN8, AN9
			1	AN10	AN8 to AN10
			1	AN11	AN8 to AN11
1	1	0	0	AN12	AN12
			1	AN13	AN12, AN13
			1	AN14	AN12 to AN14
			1	AN15	AN12 to AN15

## Channel select

0	AN8 to AN11 are group 0 analog input pins, AN12 to AN15 are group 1 analog input pins
1	AN0 to AN3 are group 0 analog input pins, AN4 to AN7 are group 1 analog input pins

## Scan mode

0	Single mode
1	Scan mode

## A/D start

0	A/D conversion stopped
1	<ul style="list-style-type: none"> <li>Single mode: A/D conversion is started. Cleared to 0 automatically when conversion on the specified channel ends</li> <li>Scan mode: A/D conversion is started. Conversion continues consecutively on the selected channels until ADST is cleared to 0 by software, a reset, or a transition to standby mode or module stop mode</li> </ul>

## A/D interrupt enable

0	A/D conversion end interrupt (ADI) request disabled
1	A/D conversion end interrupt (ADI) request enabled

## A/D end flag

0	[Clearing conditions] <ul style="list-style-type: none"> <li>When 0 is written to ADF after reading ADF = 1</li> <li>When the DTC is activated by an ADI interrupt and ADDR is read</li> </ul>
1	[Setting conditions] <ul style="list-style-type: none"> <li>Single mode: When A/D conversion ends</li> <li>Scan mode: When A/D conversion ends on all specified channels</li> </ul>

Note: \* Can only be written with 0 for flag clearing.



Bit	:	7	6	5	4	3	2	1	0
		TRGS1	TRGS0	—	—	CKS1	CKS0	—	—
Initial value :		0	0	1	1	0	0	1	1
Read/Write :		R/W	R/W	—	—	R/W	R/W	—	—

## Clock select

0	0	Conversion time = 530 states (max.)
	1	Conversion time = 266 states (max.)
1	0	Conversion time = 134 states (max.)
	1	Conversion time = 68 states (max.)

## Timer trigger select

0	0	A/D conversion start by software is enabled
	1	A/D conversion start by TPU conversion start trigger is enabled
1	0	Setting prohibited
	1	A/D conversion start by external trigger pin ( $\overline{\text{ADTRG}}$ ) is enabled

Bit	7	6	5	4	3	2	1	0
	OVF	WT/IT	TME	PSS	RST/NMI	CKS2	CKS1	CKS0
Initial value	0	0	0	0	0	0	0	0
Read/Write	R/(W)*1	R/W	R/W	R/W	R/W	R/W	R/W	R/W

Clock select 2 to 0

PSS	CKS2	CKS1	CKS0	Clock	Overflow cycle* (when $\phi = 20$ MHz) (when $\phi_{SUB} = 32.768$ kHz)
0	0	0	0	$\phi/2$	25.6 $\mu$ s
			1	$\phi/64$	819.2 $\mu$ s
		1	0	$\phi/128$	1.6 ms
			1	$\phi/512$	6.6 ms
	1	0	0	$\phi/2048$	26.2 ms
			1	$\phi/8192$	104.9 ms
		1	0	$\phi/32768$	419.4 ms
			1	$\phi/131072$	1.68 s
1	0	0	0	$\phi_{SUB}/2$	15.6 ms
			1	$\phi_{SUB}/4$	31.3 ms
		1	0	$\phi_{SUB}/8$	62.5 ms
			1	$\phi_{SUB}/16$	125 ms
	1	0	0	$\phi_{SUB}/32$	250 ms
			1	$\phi_{SUB}/64$	500 ms
		1	0	$\phi_{SUB}/128$	1 s
			1	$\phi_{SUB}/256$	2 s

Note: \*The overflow cycle starts when TCNT starts counting from H'00 and ends when an overflow occurs.

Reset or NMI

0	NMI interrupt request
1	Internal reset request

Prescaler select

0	TCNT counts the divided clock output by the $\phi$ -based prescaler
1	TCNT counts the divided clock output by the $\phi_{SUB}$ -based prescaler (PSS)

Timer enable

0	Initializes TCNT to H'00 and disables the counting operation
1	TCNT performs counting operation

Timer mode select

0	Interval timer mode: Interval timer interrupt (WOVI) request sent to CPU when overflow occurs at TCNT
1	Watchdog timer mode: Reset or NMI interrupt request sent to CPU when overflow occurs at TCNT

Overflow flag

0	[Clearing] (1) When 0 is written to TME bit; (2) When 0 is written to OVF bit after reading TCSR when OVF=1.
1	[Setting] When TCNT overflows (H'FF → H'00). When internal reset request generation is selected in watchdog timer mode, OVF is cleared automatically by the internal reset.

Notes: TCSR is write-protected by a password to prevent accidental overwriting. For details see section 12.2.5, Notes on Register Access.

\*1 Only 0 can be written to these bits (to clear these flags).

\*2 This register is not available, and must not be accessed, in the H8S/2623 Series.

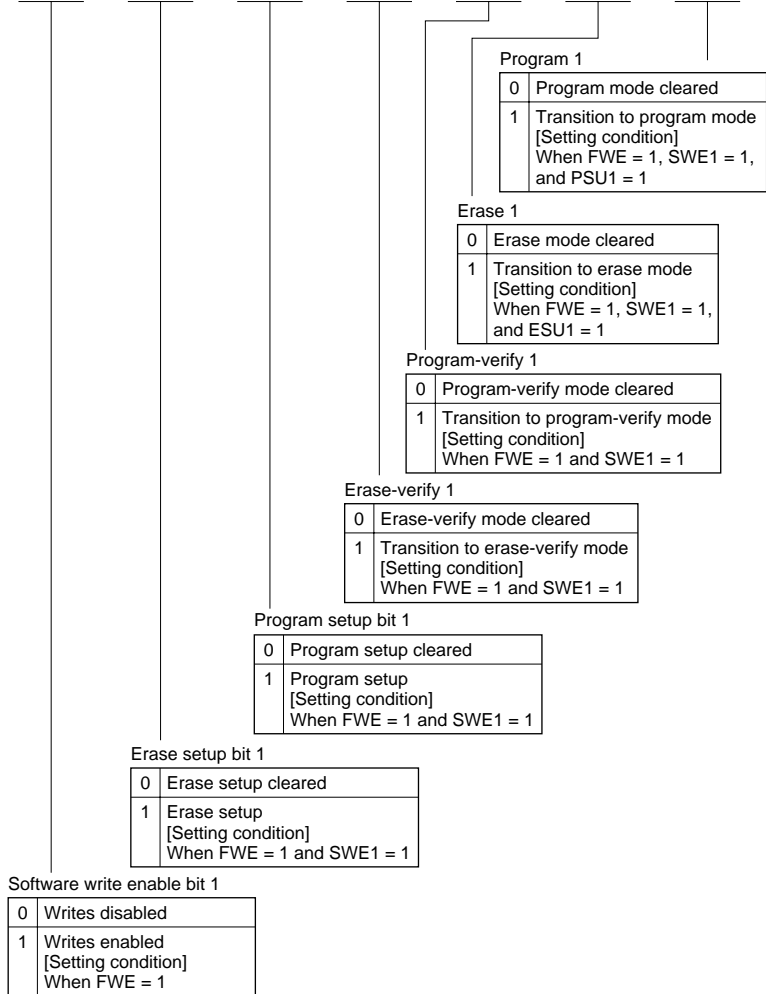
Bit	:	7	6	5	4	3	2	1	0
Initial value :		0	0	0	0	0	0	0	0
Read/Write :		R/W	R/W	R/W	R/W	R/W	R/W	R/W	R/W

Notes: TCNT1 is write-protected by a password to prevent accidental overwriting.

For details see section 12.2.5, Notes on Register Access.

\* This register is not available, and must not be accessed, in the H8S/2623 Series.

Bit	:	7	6	5	4	3	2	1	0
		FWE	SWE1	ESU1	PSU1	EV1	PV1	E1	P1
Initial value :		—*	0	0	0	0	0	0	0
Read/Write :		R	R/W	R/W	R/W	R/W	R/W	R/W	R/W



Flash write enable bit

0	When a low level is input to the FWE pin (hardware-protected state)
1	When a high level is input to the FWE pin

- Notes:
1. This register is not present in the mask ROM version, and an attempt to read it will return an undefined value.
  2. To access this register, set the FLSHE bit to 1 in serial control register X (SCRX). Even if FLSHE = 1, if the chip is in a mode in which the on-chip flash memory is disabled, a read will return H'00 and writes are invalid. Writes to this register are also invalid when the FWE bit in FLMCR1 is not set to 1.

Note: \* Determined by the state of the FWE pin.

Bit	:	7	6	5	4	3	2	1	0
		FLER	—	—	—	—	—	—	—
Initial value	:	0	0	0	0	0	0	0	0
Read/Write	:	R	—	—	—	—	—	—	—

Flash memory error

0	Flash memory is operating normally Flash memory program/erase protection (error protection) is disabled [Clearing condition] Reset or hardware standby mode
1	An error has occurred during flash memory programming/erasing Flash memory program/erase protection (error protection) is enabled [Setting condition] See section 19.8.3, Error Protection

- Notes:
1. This register is not present in the mask ROM version, and an attempt to read it will return an undefined value.
  2. To access this register, set the FLSHE bit to 1 in serial control register X (SCRX). Even if FLSHE = 1, if the chip is in a mode in which the on-chip flash memory is disabled, a read will return H'00 and writes are invalid. Writes to this register are also invalid when the FWE bit in FLMCR1 is not set to 1.

## EBR1—Erase Block Register 1

H'FFAA

ROM

Bit	:	7	6	5	4	3	2	1	0
		EB7	EB6	EB5	EB4	EB3	EB2	EB1	EB0
Initial value	:	0	0	0	0	0	0	0	0
Read/Write	:	R/W	R/W	R/W	R/W	R/W	R/W	R/W	R/W

Sets flash memory erase area block by block

Bit	:	7	6	5	4	3	2	1	0
		—	—	—	—	EB11	EB10	EB9	EB8
Initial value	:	0	0	0	0	0	0	0	0
Read/Write	:	R/W	R/W	R/W	R/W	R/W	R/W	R/W	R/W

Sets flash memory erase area block by block

#### Flash memory erase blocks

Block (Size)	Addresses
EB0 (4 kbytes)	H'000000–H'000FFF
EB1 (4 kbytes)	H'001000–H'001FFF
EB2 (4 kbytes)	H'002000–H'002FFF
EB3 (4 kbytes)	H'003000–H'003FFF
EB4 (4 kbytes)	H'004000–H'004FFF
EB5 (4 kbytes)	H'005000–H'005FFF
EB6 (4 kbytes)	H'006000–H'006FFF
EB7 (4 kbytes)	H'007000–H'007FFF
EB8 (32 kbytes)	H'008000–H'00FFFF
EB9 (64 kbytes)	H'010000–H'01FFFF
EB10 (64 kbytes)	H'020000–H'02FFFF
EB11 (64 kbytes)	H'030000–H'03FFFF

- Notes:
1. This register is not present in the mask ROM version, and an attempt to read it will return an undefined value.
  2. To access this register, set the FLSHE bit to 1 in serial control register X (SCRX). Even if FLSHE = 1, if the chip is in a mode in which the on-chip flash memory is disabled, a read will return H'00 and writes are invalid. Writes to this register are also invalid when the FWE bit in FLMCR1 is not set to 1.

Bit	:	7	6	5	4	3	2	1	0
		PDWND	—	—	—	—	—	—	—
Initial value :		0	0	0	0	0	0	0	0
Read/Write :		R/W	R	R	R	R	R	R	R

Power-down disable

0	Transition to flash memory power-down mode enabled
1	Transition to flash memory power-down mode disabled

**PORT1—Port 1 Register****H'FFB0****Port 1**

Bit	:	7	6	5	4	3	2	1	0
		P17	P16	P15	P14	P13	P12	P11	P10
Initial value :		—*	—*	—*	—*	—*	—*	—*	—*
Read/Write :		R	R	R	R	R	R	R	R

State of port 1 pins

Note: \* Determined by the state of pins P17 to P10.

**PORT4—Port 4 Register****H'FFB3****Port 4**

Bit	:	7	6	5	4	3	2	1	0
		P47	P46	P45	P44	P43	P42	P41	P40
Initial value :		—*	—*	—*	—*	—*	—*	—*	—*
Read/Write :		R	R	R	R	R	R	R	R

State of port 4 pins

Note: \* Determined by the state of pins P47 to P40.

**PORT9—Port 9 Register****H'FFB8****Port 9**

Bit	:	7	6	5	4	3	2	1	0
		P97	P96	P95	P94	P93	P92	P91	P90
Initial value :		—*	—*	—*	—*	—*	—*	—*	—*
Read/Write :		R	R	R	R	R	R	R	R

|  
State of port 9 pins

Note: \* Determined by the state of pins P97 to P90.

**PORTA—Port A Register****H'FFB9****Port A**

Bit	:	7	6	5	4	3	2	1	0
		—	—	PA5*2	PA4*2	PA3	PA2	PA1	PA0
Initial value :		Undefined	Undefined	—*1	—*1	—*1	—*1	—*1	—*1
Read/Write :		—	—	R	R	R	R	R	R

|  
State of port A pins

Notes: \*1 Determined by the state of pins PA5 to PA0.

\*2 Reserved bits in the H8S/2626 Series.

**PORTB—Port B Register****H'FFBA****Port B**

Bit	:	7	6	5	4	3	2	1	0
		PB7	PB6	PB5	PB4	PB3	PB2	PB1	PB0
Initial value :		—*	—*	—*	—*	—*	—*	—*	—*
Read/Write :		R	R	R	R	R	R	R	R

|  
State of port B pins

Note: \* Determined by the state of pins PB7 to PB0.



**PORTC—Port C Register****H'FFBB****Port C**

Bit	:	7	6	5	4	3	2	1	0
		PC7	PC6	PC5	PC4	PC3	PC2	PC1	PC0
Initial value	:	—*	—*	—*	—*	—*	—*	—*	—*
Read/Write	:	R	R	R	R	R	R	R	R

|  
State of port C pins

Note: \* Determined by the state of pins PC7 to PC0.

**PORTD—Port D Register****H'FFBC****Port D**

Bit	:	7	6	5	4	3	2	1	0
		PD7	PD6	PD5	PD4	PD3	PD2	PD1	PD0
Initial value	:	—*	—*	—*	—*	—*	—*	—*	—*
Read/Write	:	R	R	R	R	R	R	R	R

|  
State of port D pins

Note: \* Determined by the state of pins PD7 to PD0.

**PORTE—Port E Register****H'FFBD****Port E**

Bit	:	7	6	5	4	3	2	1	0
		PE7	PE6	PE5	PE4	PE3	PE2	PE1	PE0
Initial value	:	—*	—*	—*	—*	—*	—*	—*	—*
Read/Write	:	R	R	R	R	R	R	R	R

|  
State of port E pins

Note: \* Determined by the state of pins PE7 to PE0.

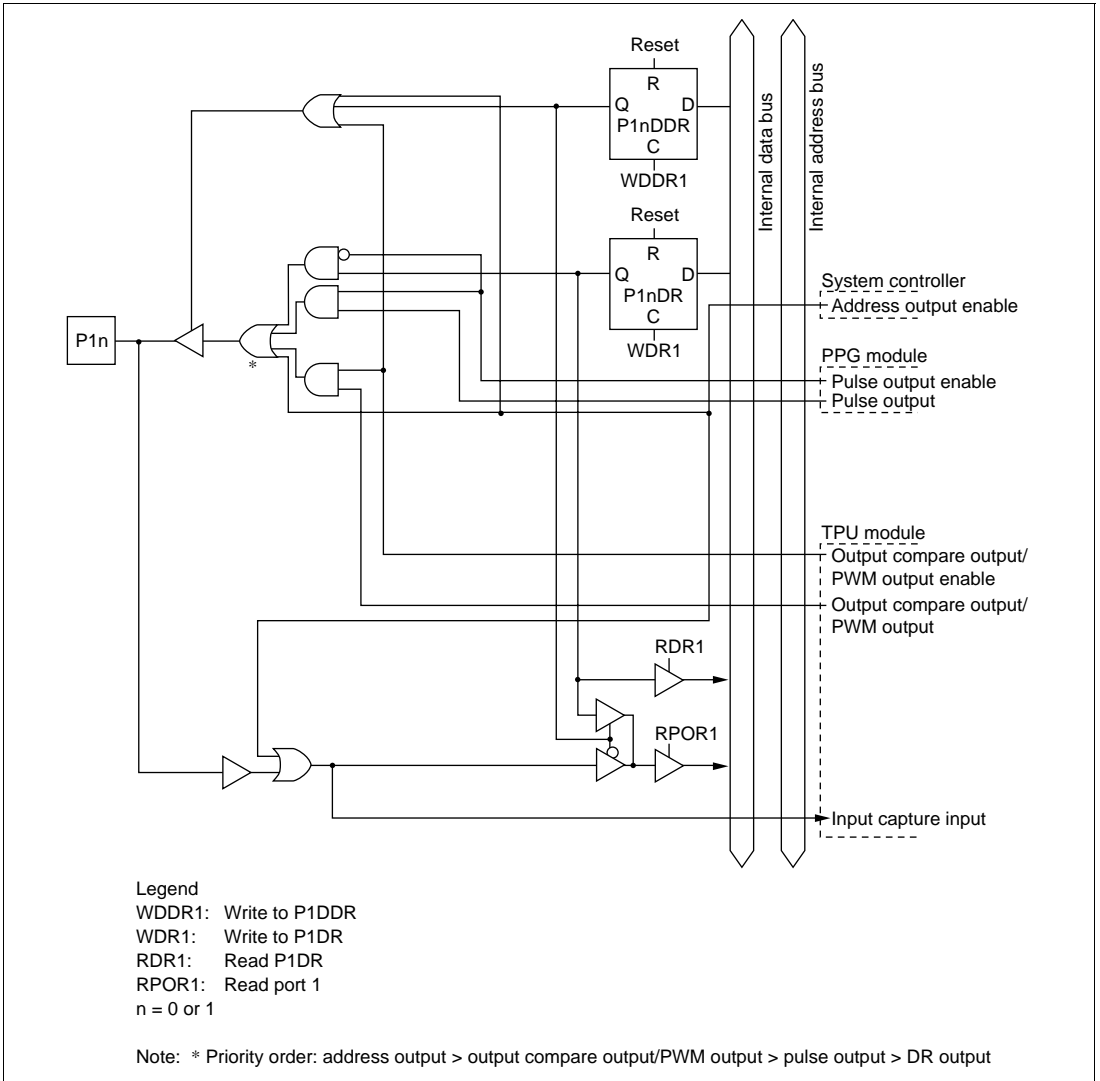
Bit	:	7	6	5	4	3	2	1	0
		PF7	PF6	PF5	PF4	PF3	PF2	PF1	PF0
Initial value :		—*	—*	—*	—*	—*	—*	—*	—*
Read/Write :		R	R	R	R	R	R	R	R

|  
 State of port F pins

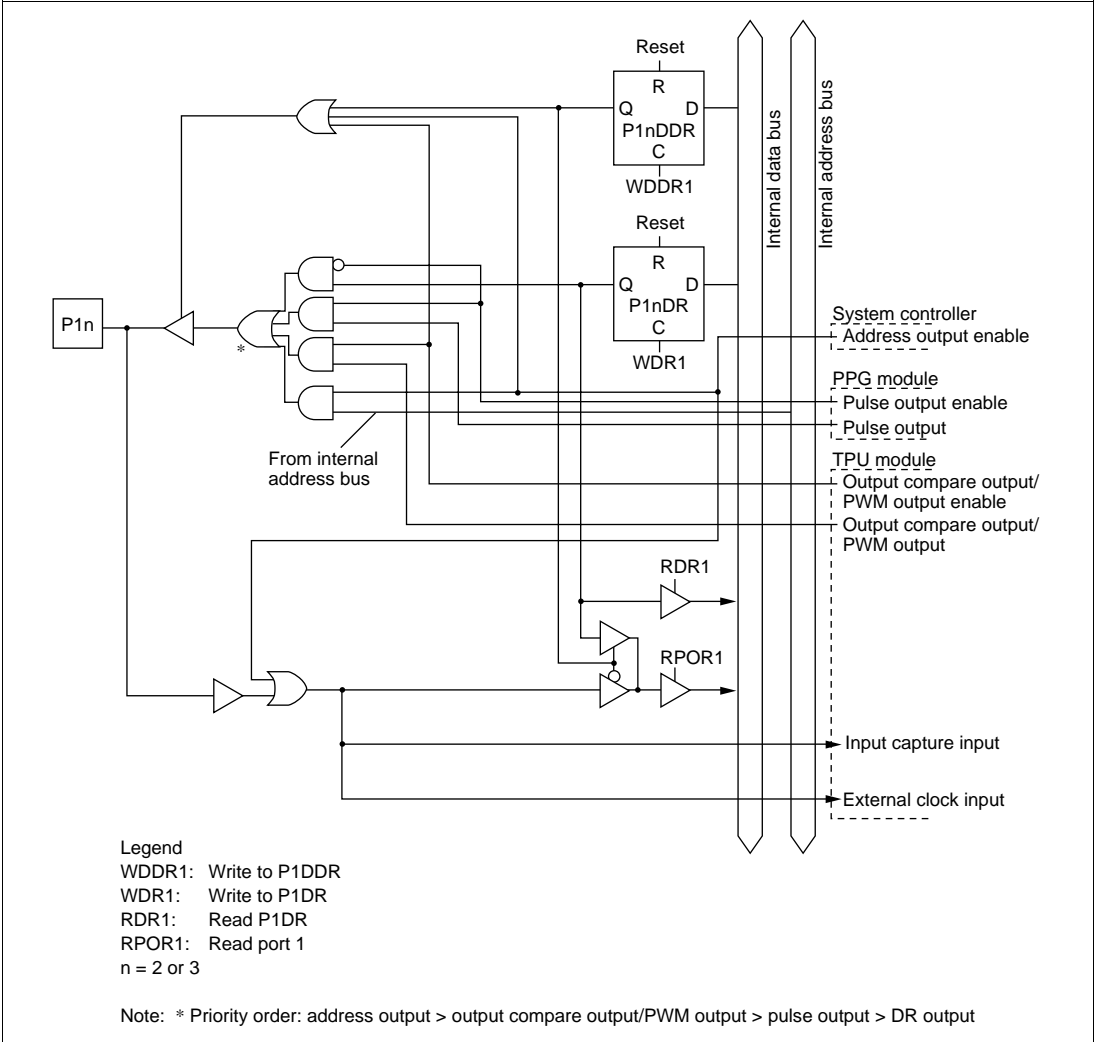
Note: \* Determined by the state of pins PF7 to PF0.

# Appendix C I/O Port Block Diagrams

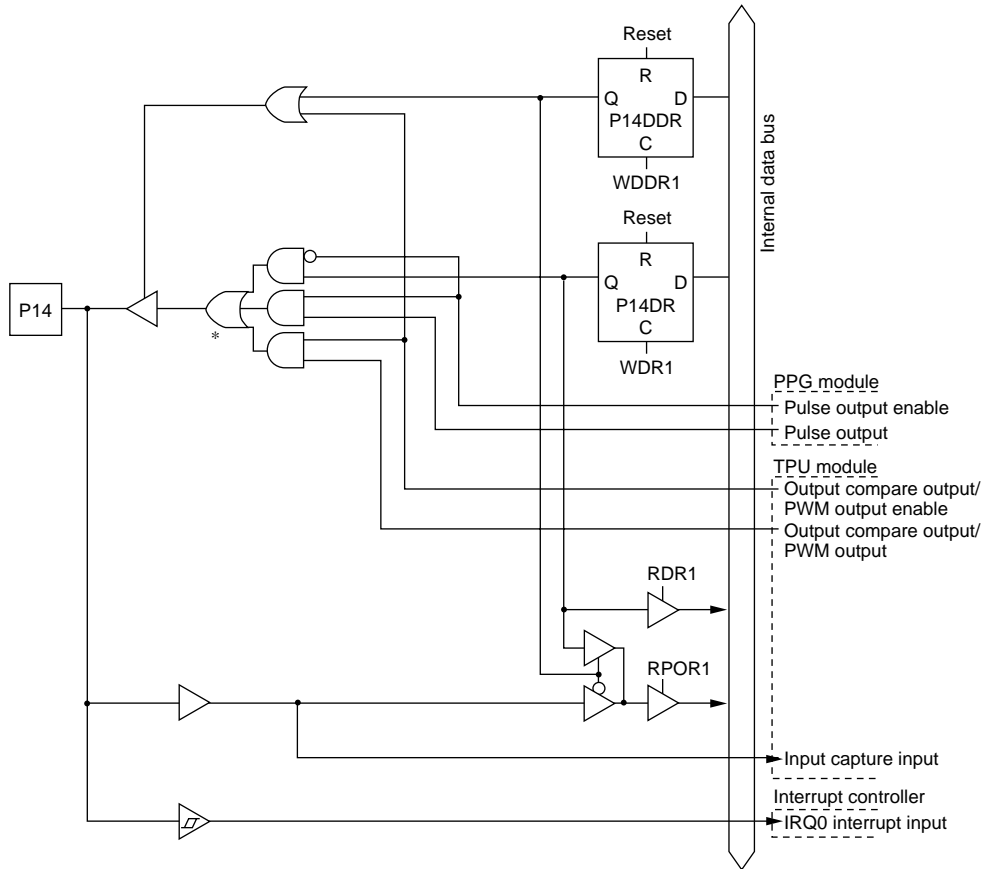
## C.1 Port 1 Block Diagrams



**Figure C-1 (a) Port 1 Block Diagram (Pins P10 and P11)**



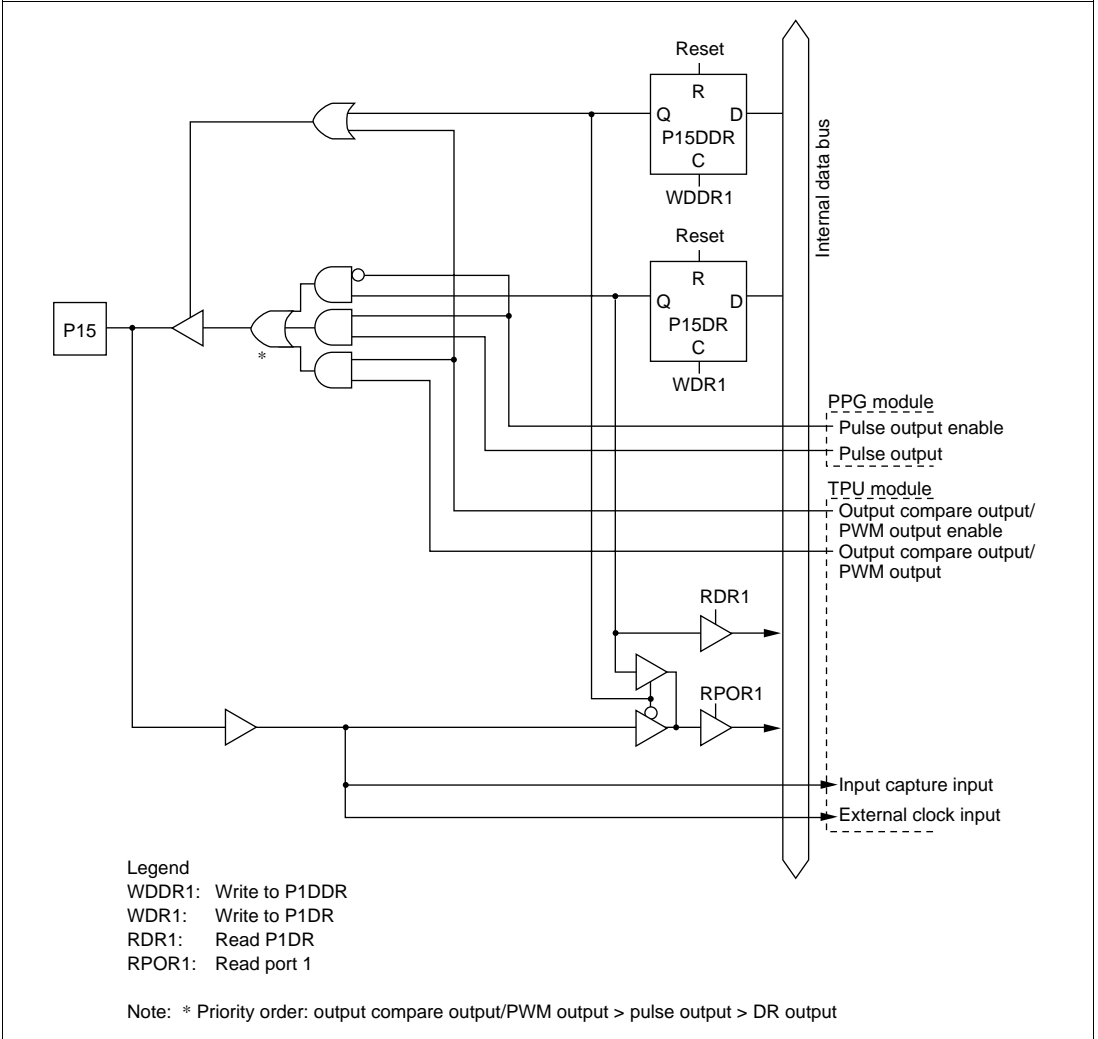
**Figure C-1 (b) Port 1 Block Diagram (Pins P12 and P13)**



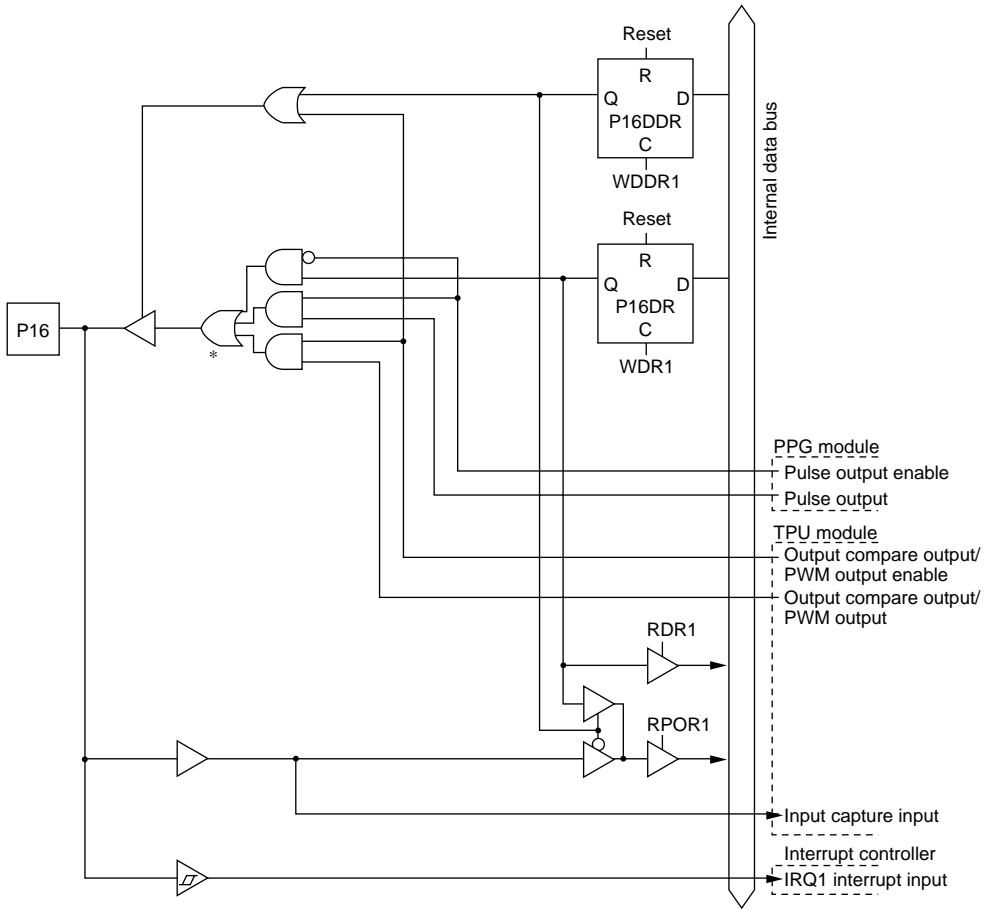
Legend  
WDDR1: Write to P1DDR  
WDR1: Write to P1DR  
RDR1: Read P1DR  
RPOR1: Read port 1

Note: \* Priority order: output compare output/PWM output > pulse output > DR output

**Figure C-1 (c) Port 1 Block Diagram (Pin P14)**



**Figure C-1 (d) Port 1 Block Diagram (Pin P15)**



Legend

WDDR1: Write to P1DDR

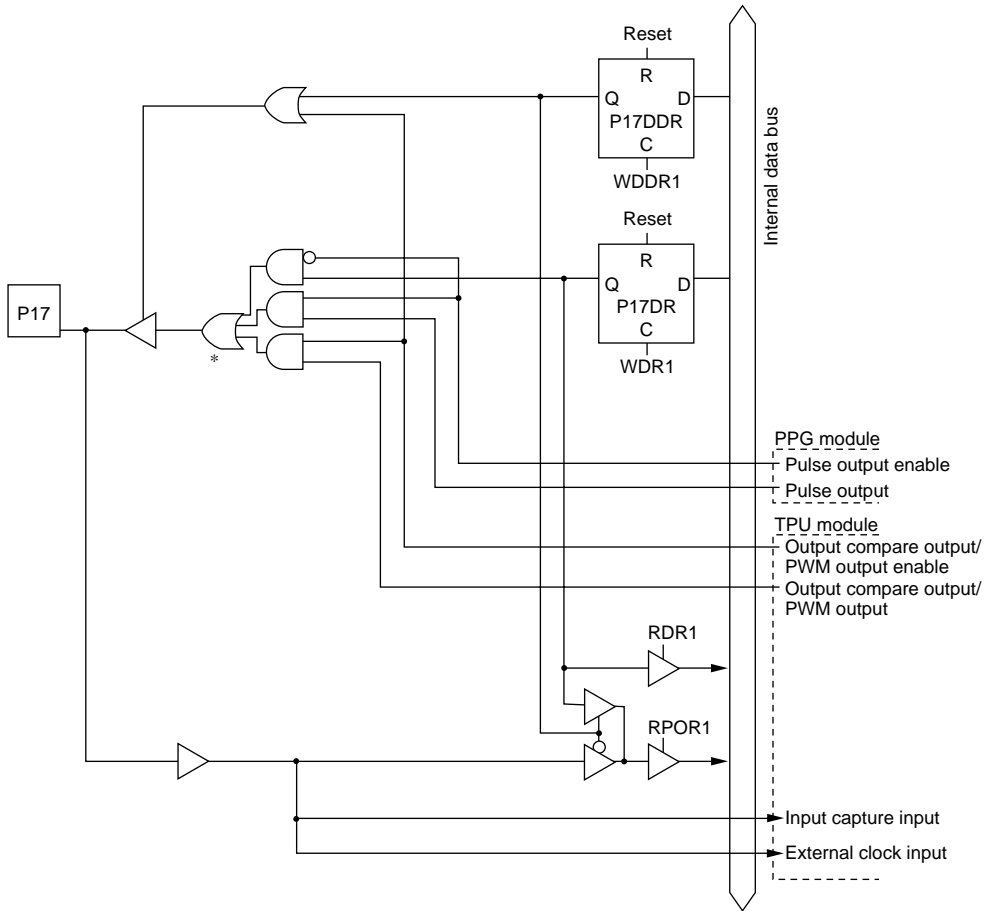
WDR1: Write to P1DR

RDR1: Read P1DR

RPOR1: Read port 1

Note: \* Priority order: output compare output/PWM output > pulse output > DR output

**Figure C-1 (e) Port 1 Block Diagram (Pin P16)**



Legend

WDDR1: Write to P17DDR

WDR1: Write to P17DR

RDR1: Read P17DR

RPOR1: Read port 1

Note: \* Priority order: output compare output/PWM output > pulse output > DR output

**Figure C-1 (f) Port 1 Block Diagram (Pin P17)**



## C.2 Port 4 Block Diagram

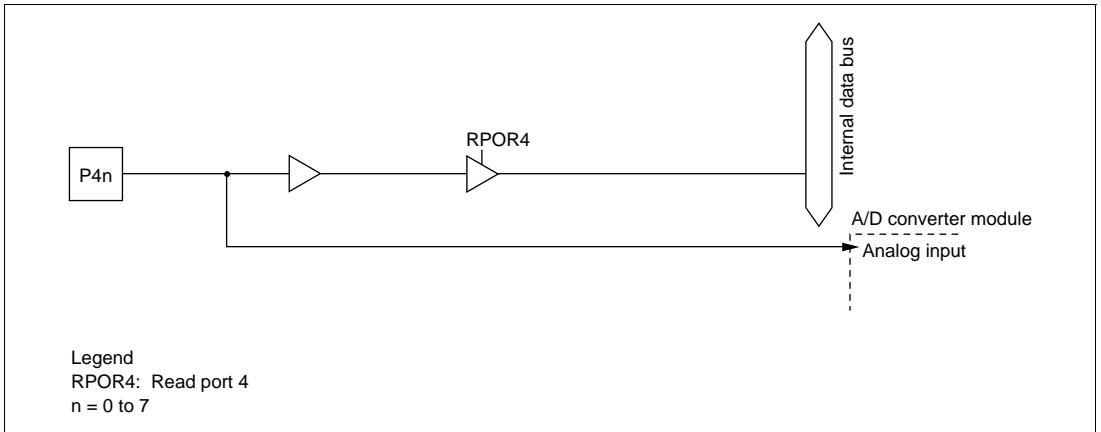


Figure C-2 Port 4 Block Diagram (Pins P40 to P47)

## C.3 Port 9 Block Diagram

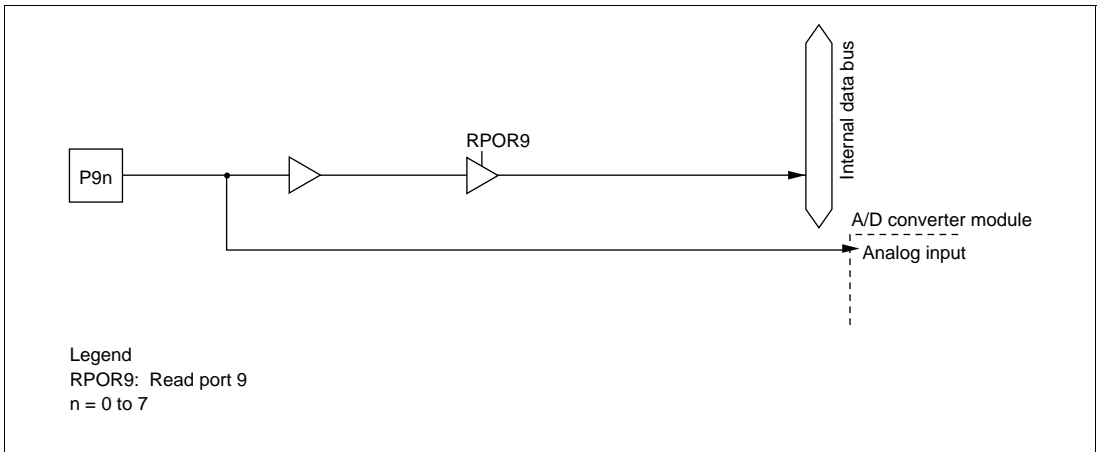
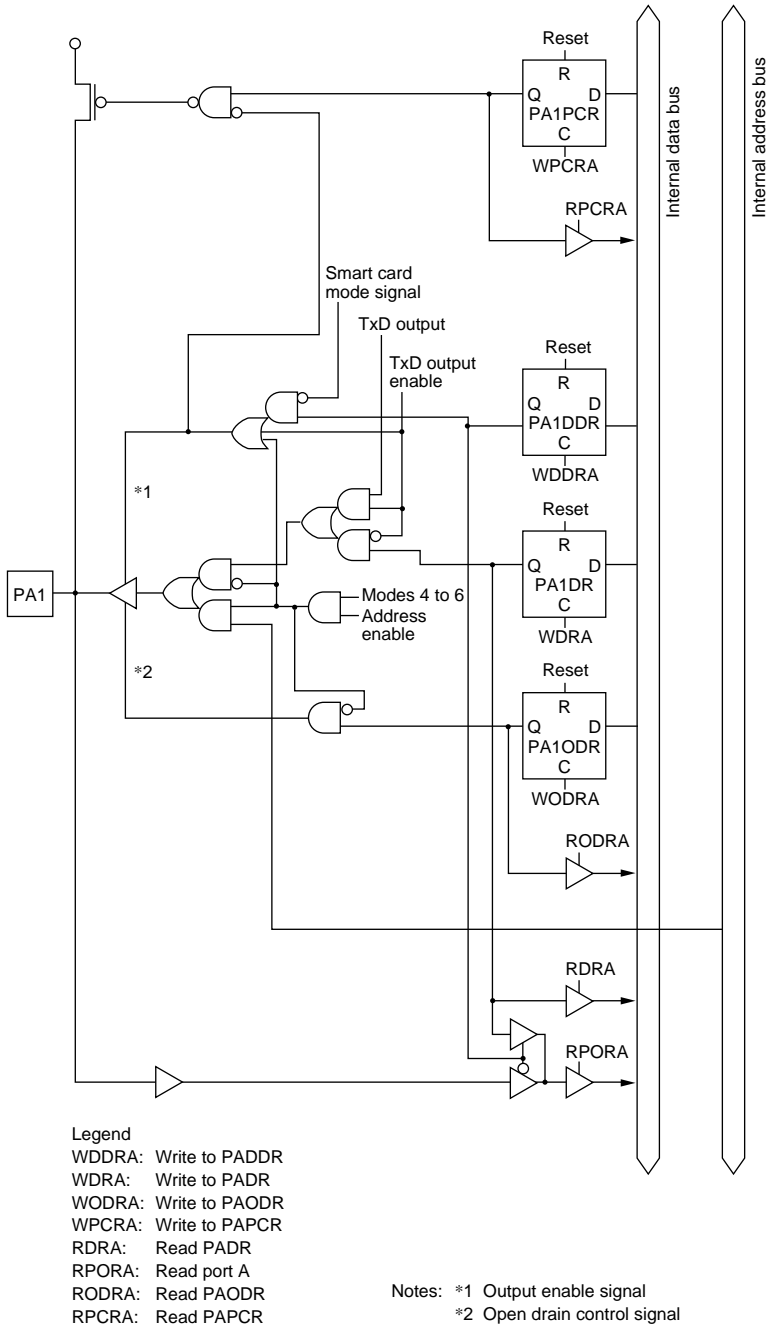
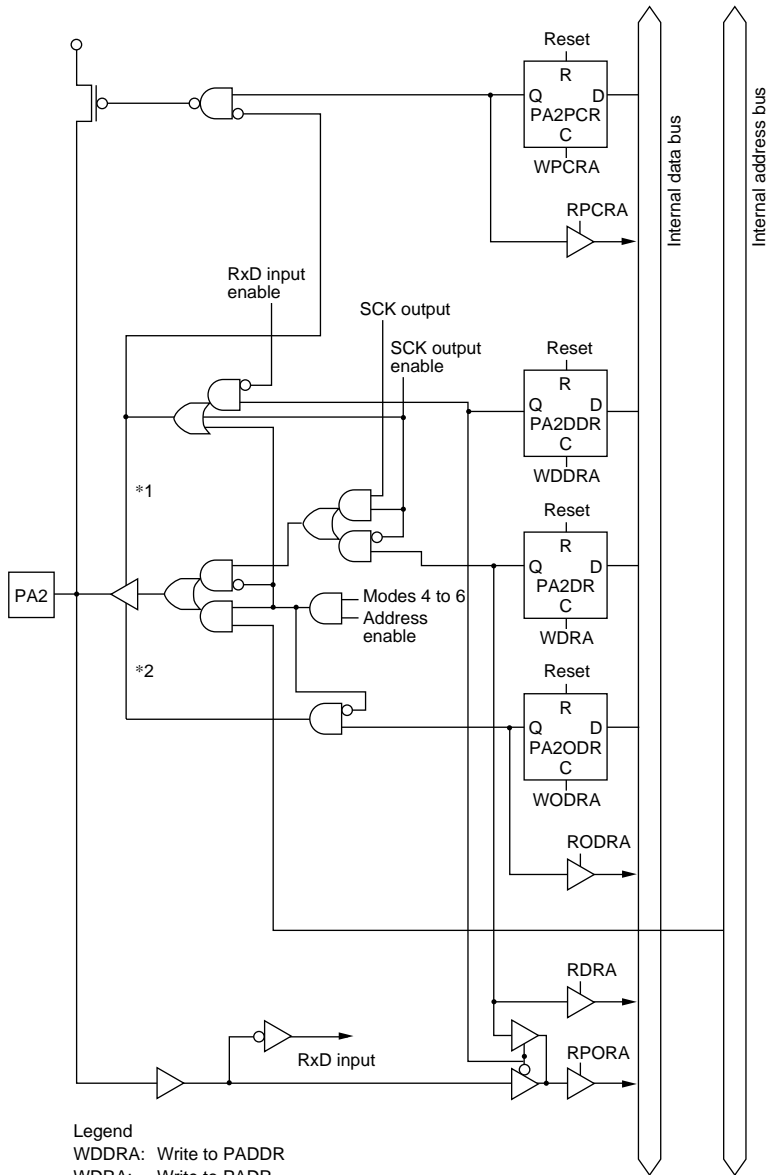


Figure C-3 Port 9 Block Diagram (Pins P90 to P97)





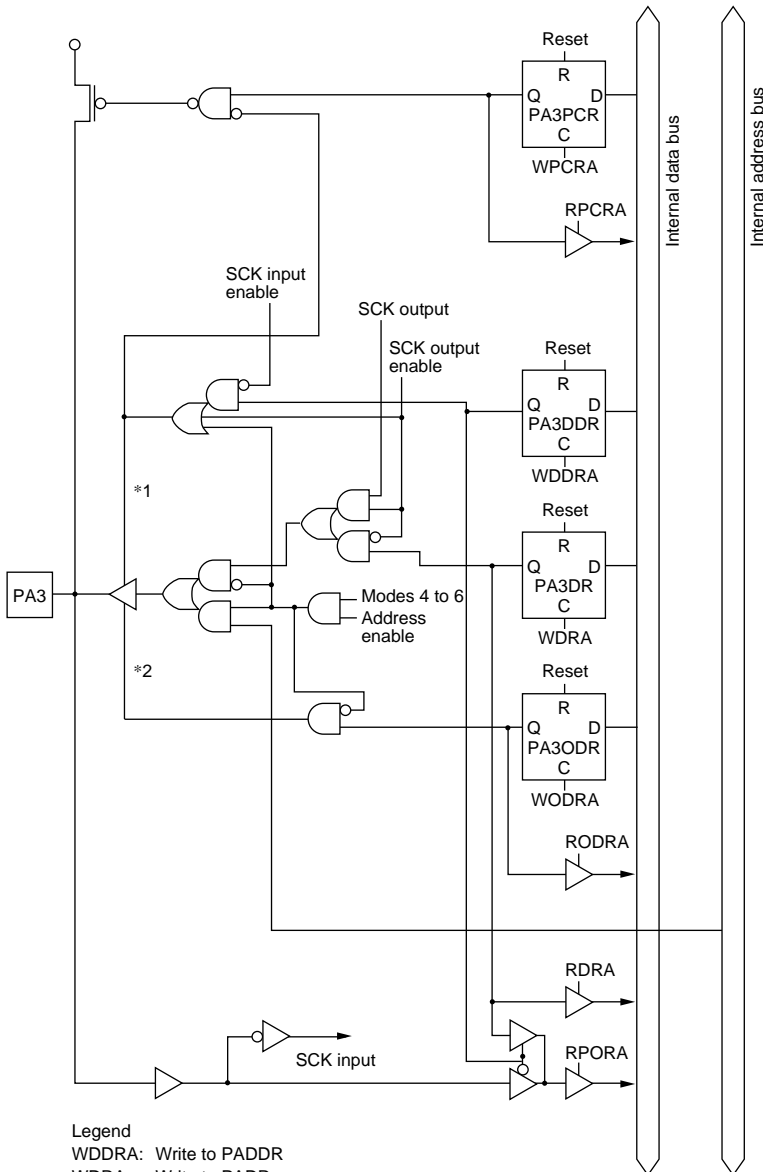
**Figure C-4 (b) Port A Block Diagram (Pin PA1)**



- Legend
- WDDRA: Write to PADDR
  - WDR: Write to PADR
  - WODR: Write to PAODR
  - WPCR: Write to PAPCR
  - RDR: Read PADR
  - RPORA: Read port A
  - RODR: Read PAODR
  - RPCRA: Read PAPCR

Notes: \*1 Output enable signal  
 \*2 Open drain control signal

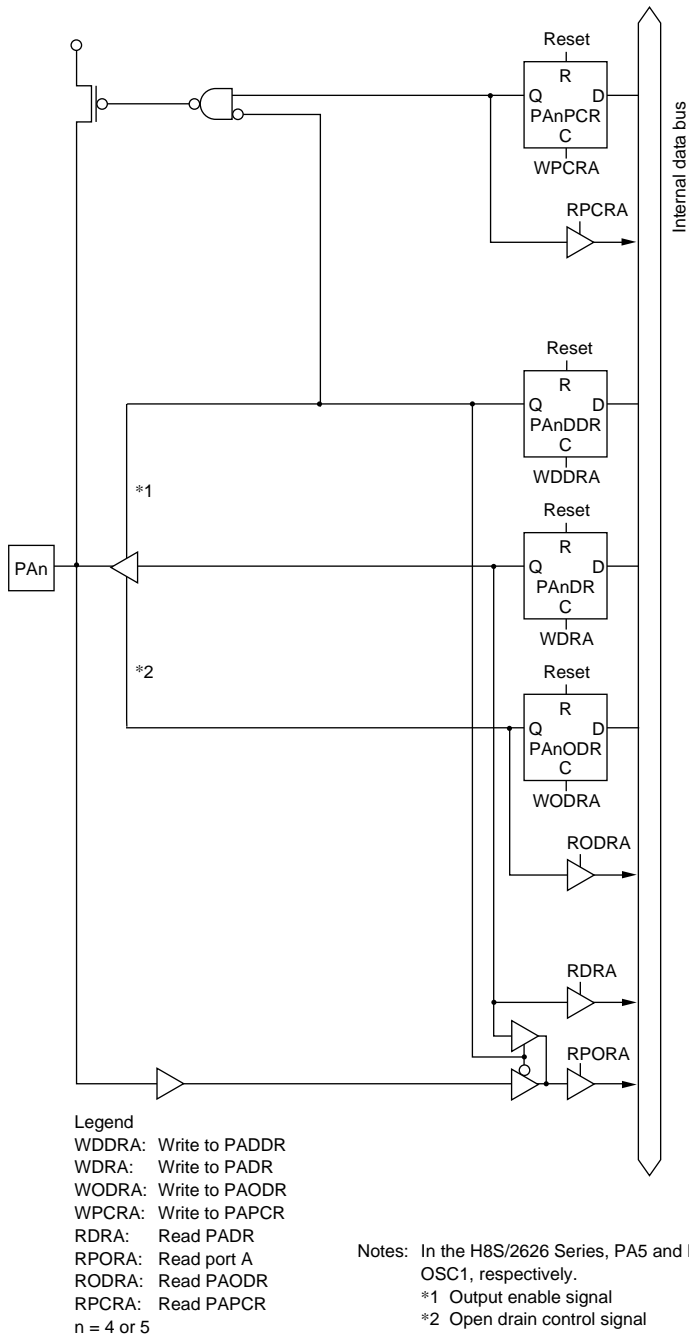
Figure C-4 (c) Port A Block Diagram (Pin PA2)



Legend  
WDDRA: Write to PADDR  
WDRA: Write to PADR  
WODRA: Write to PAODR  
WPCRA: Write to PAPCR  
RDRA: Read PADR  
RPORA: Read port A  
RODRA: Read PAODR  
RPCRA: Read PAPCR

Notes: \*1 Output enable signal  
\*2 Open drain control signal

Figure C-4 (d) Port A Block Diagram (Pin PA3)



**Figure C-4 (e) Port A Block Diagram (Pins PA4 and PA5)**

## C.5 Port B Block Diagram

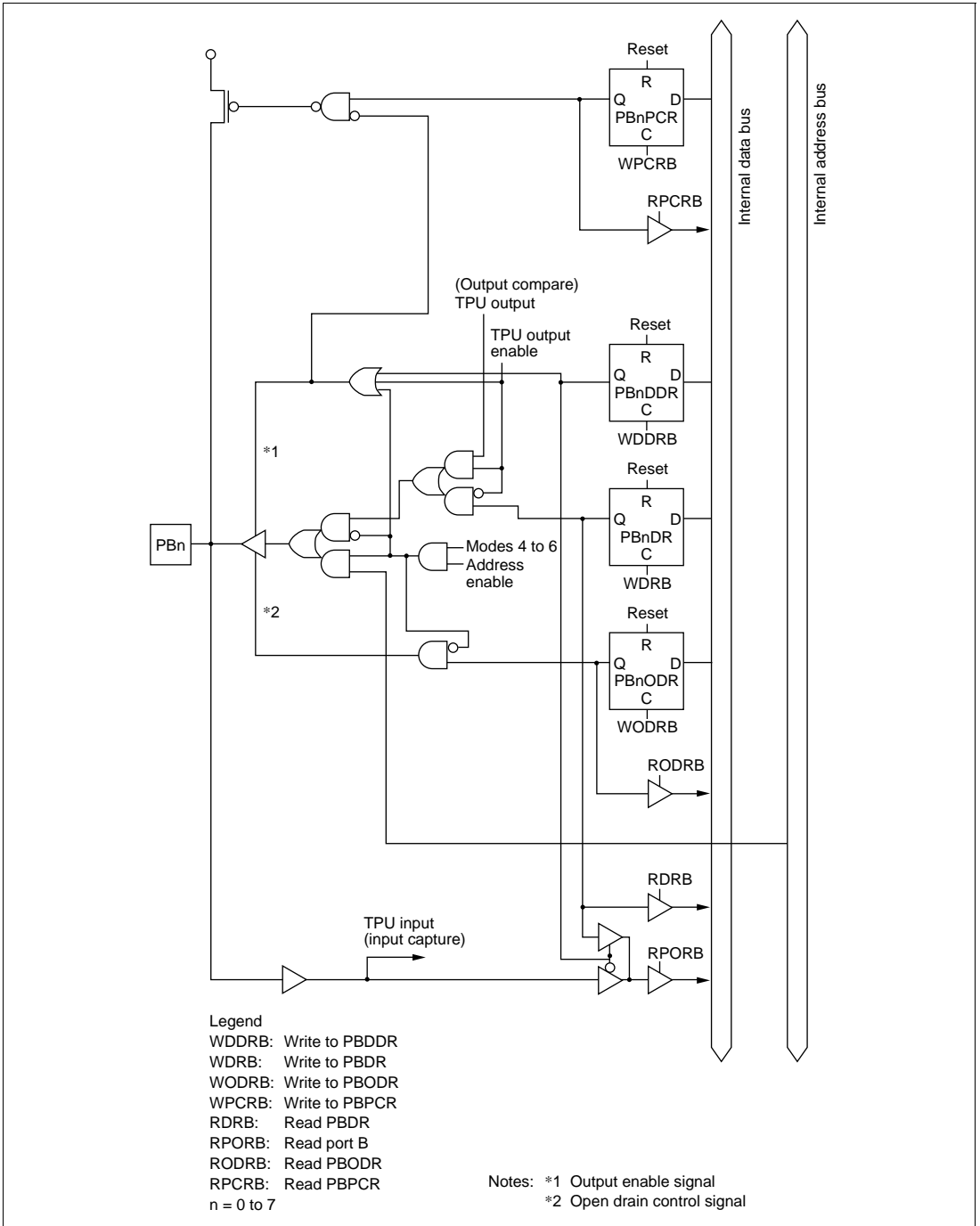
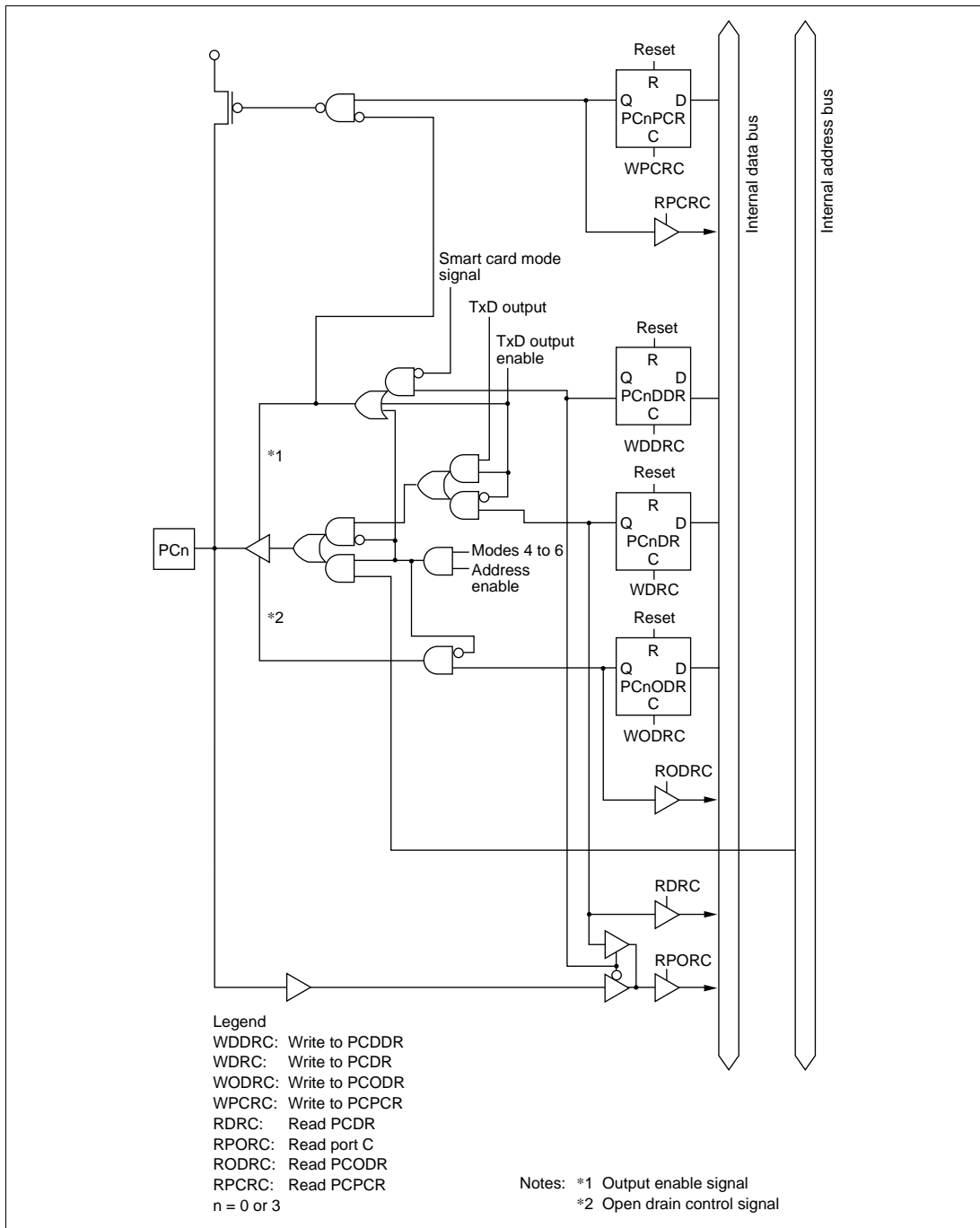


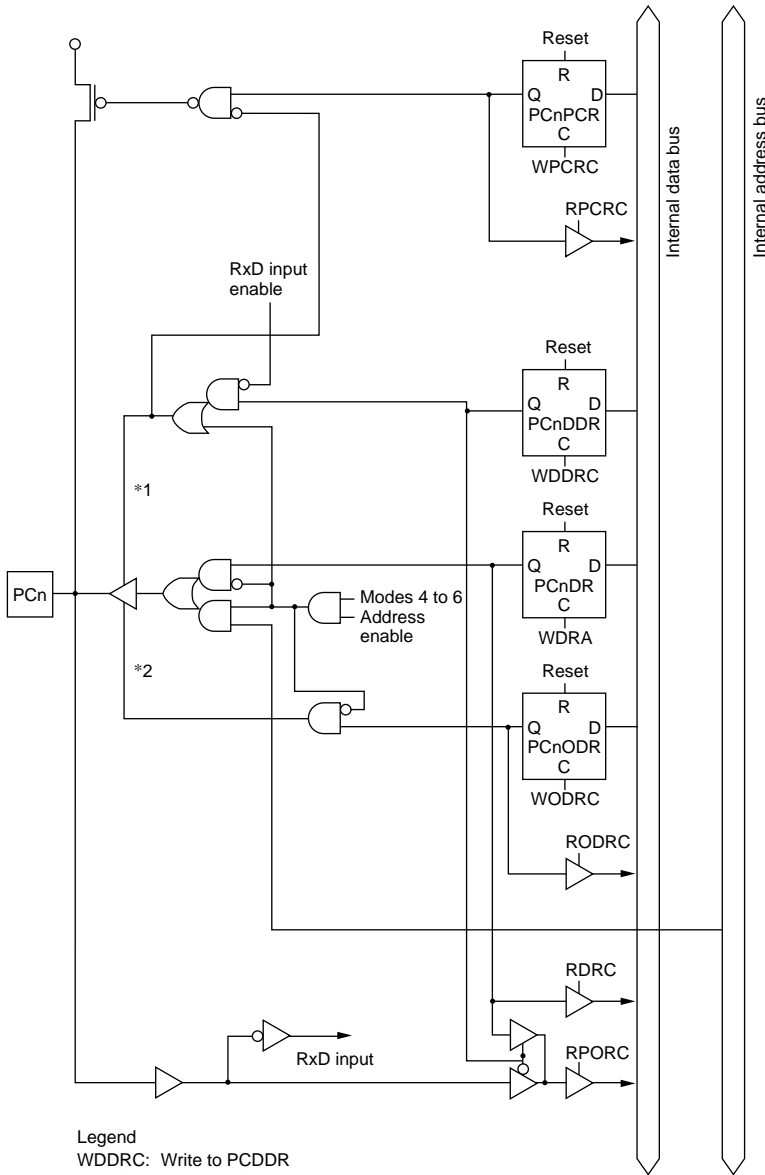
Figure C-5 Port B Block Diagram (Pins PB0 to PB7)

# C.6 Port C Block Diagrams



**Figure C-6 (a) Port C Block Diagram (Pins PC0 and PC3)**

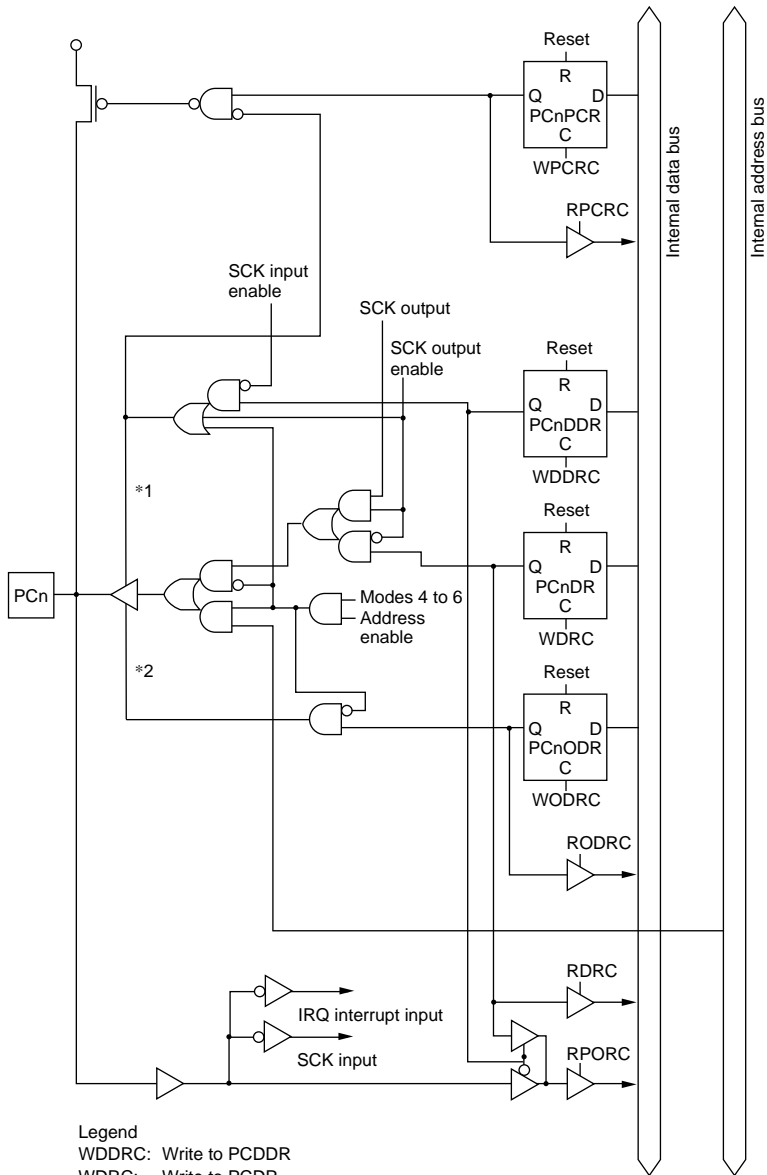




Legend  
 WDDRC: Write to PCDDR  
 WDRC: Write to PCDR  
 WODRC: Write to PCODR  
 WPCRC: Write to PCPCR  
 RDR: Read PCDR  
 RPORC: Read port C  
 RODRC: Read PCODR  
 RPCRC: Read PCPCR  
 n = 1 or 4

Notes: \*1 Output enable signal  
 \*2 Open drain control signal

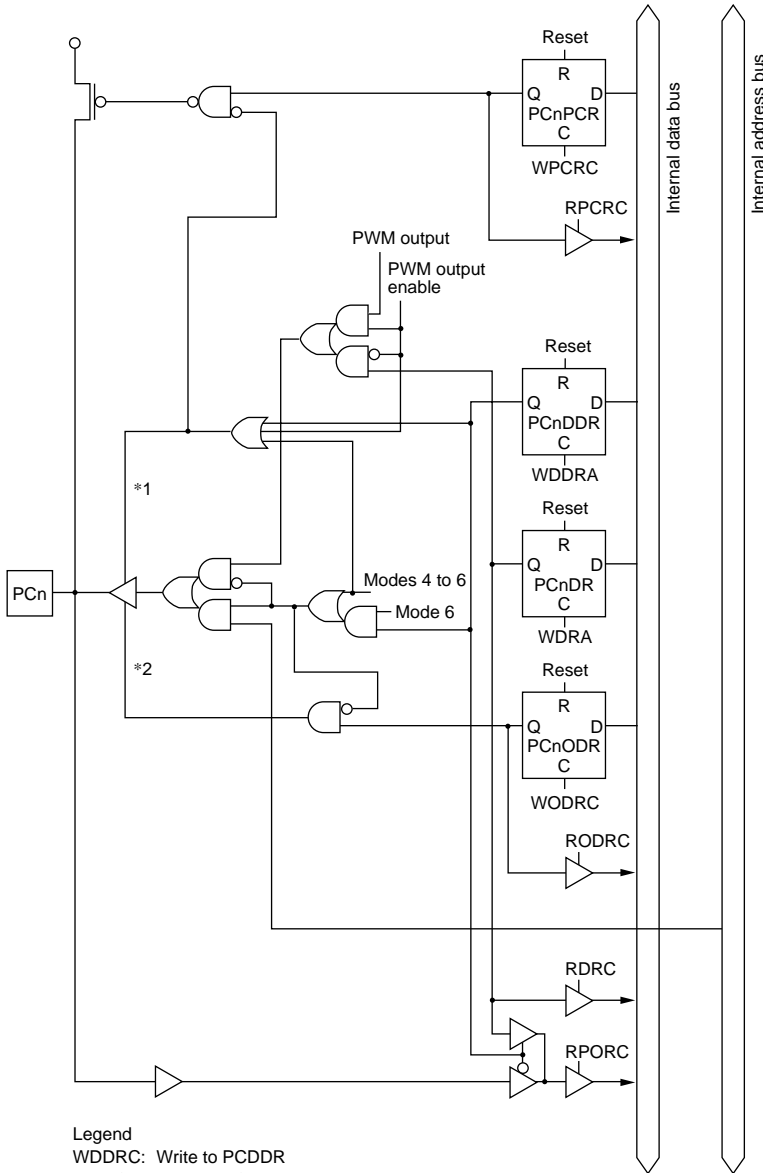
**Figure C-6 (b) Port C Block Diagram (Pins PC1 and PC4)**



Legend  
 WDDRC: Write to PCDDR  
 WDR: Write to PCDR  
 WODRC: Write to PCODR  
 WPCRC: Write to PCPCR  
 RDR: Read PCDR  
 RPORC: Read port C  
 RODRC: Read PCODR  
 RPCRC: Read PCPCR  
 n = 2 or 5

Notes: \*1 Output enable signal  
 \*2 Open drain control signal

**Figure C-6 (c) Port C Block Diagram (Pins PC2 and PC5)**



Legend  
 WDDRC: Write to PCDDR  
 WDR: Write to PCDR  
 WODRC: Write to PCODR  
 WPCR: Write to PCPCR  
 RDR: Read PCDR  
 RPOR: Read port C  
 RODR: Read PCODR  
 RPCRC: Read PCPCR  
 n = 6 or 7

Notes: \*1 Output enable signal  
 \*2 Open drain control signal

**Figure C-6 (d) Port C Block Diagram (Pins PC6 and PC7)**

# C.7 Port D Block Diagram

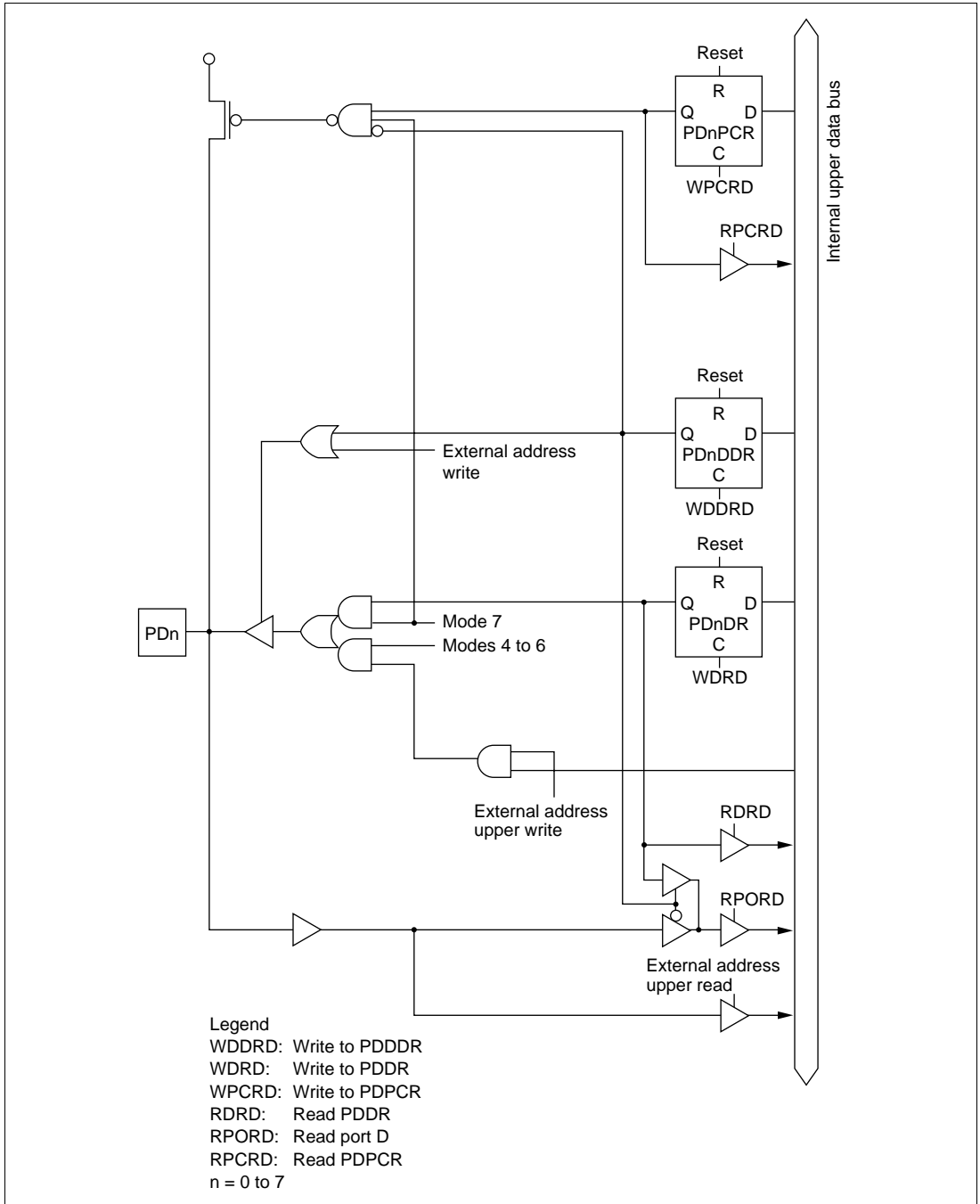


Figure C-7 Port D Block Diagram (Pins PD0 to PD7)

# C.8 Port E Block Diagram

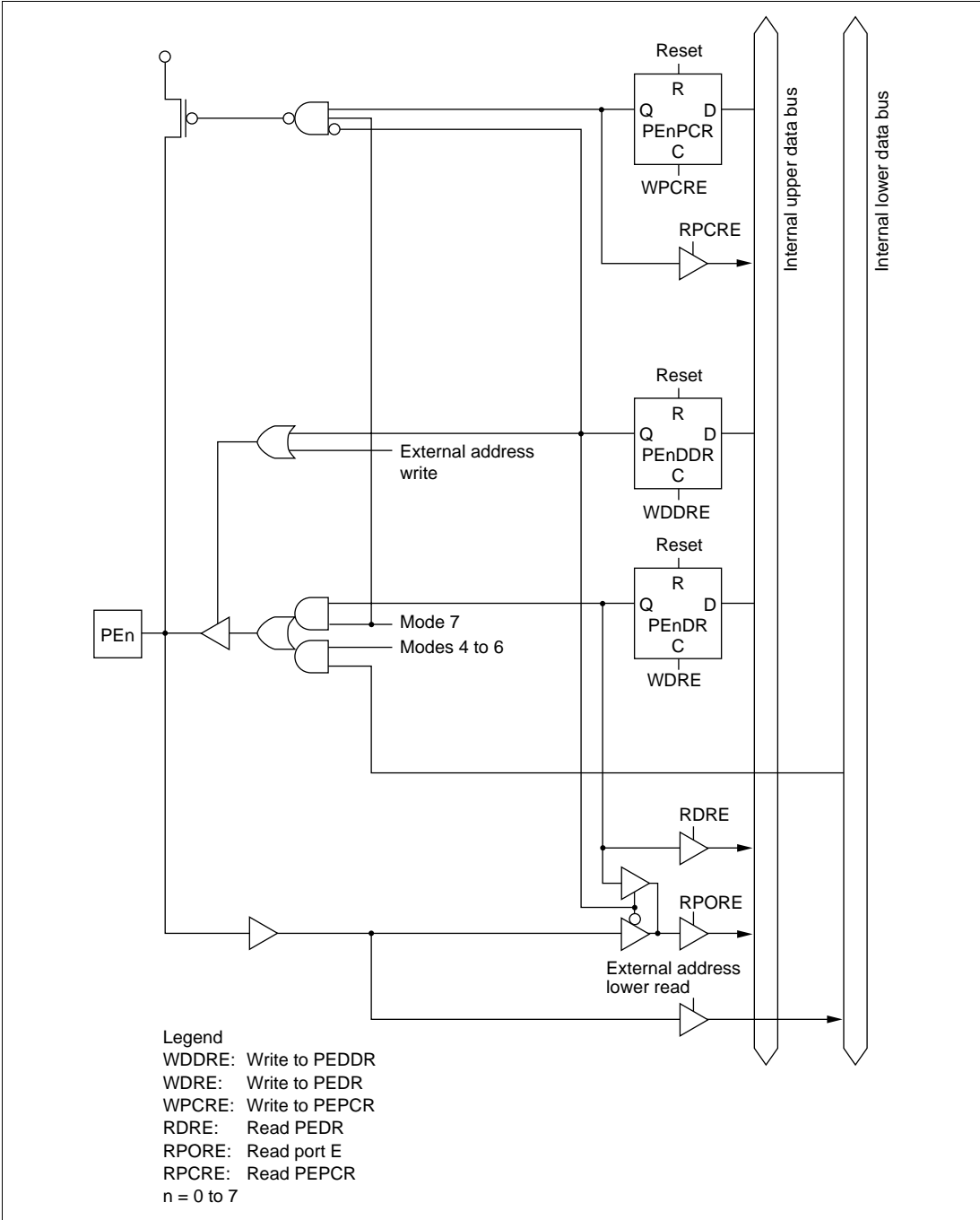
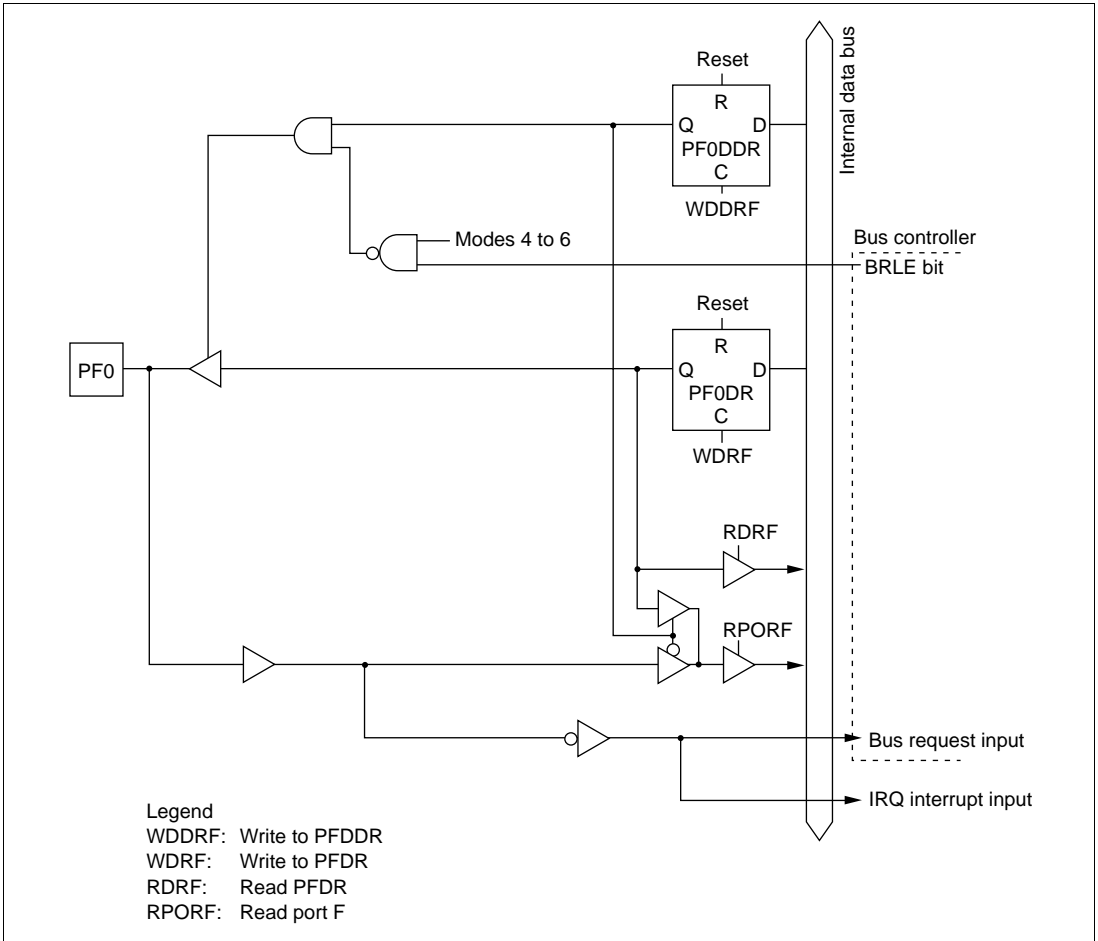
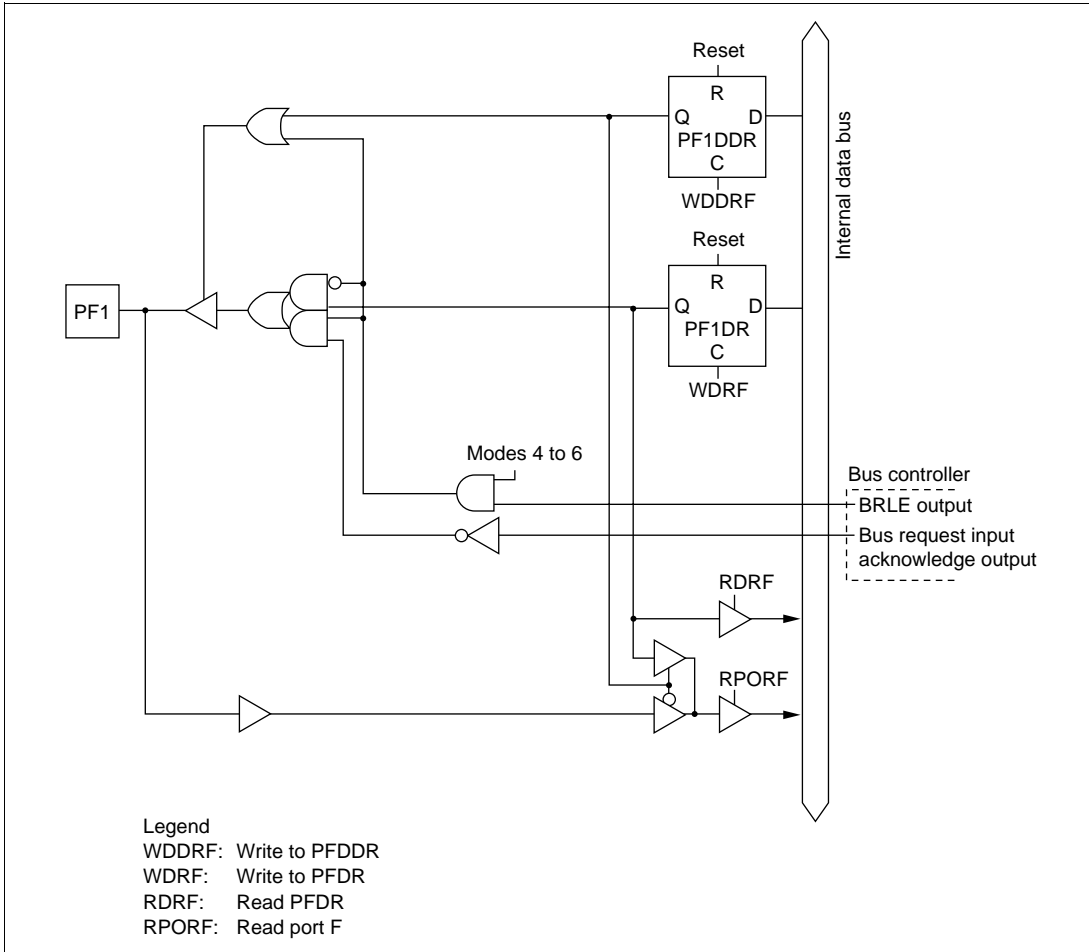


Figure C-8 Port E Block Diagram (Pins PE0 to PE7)

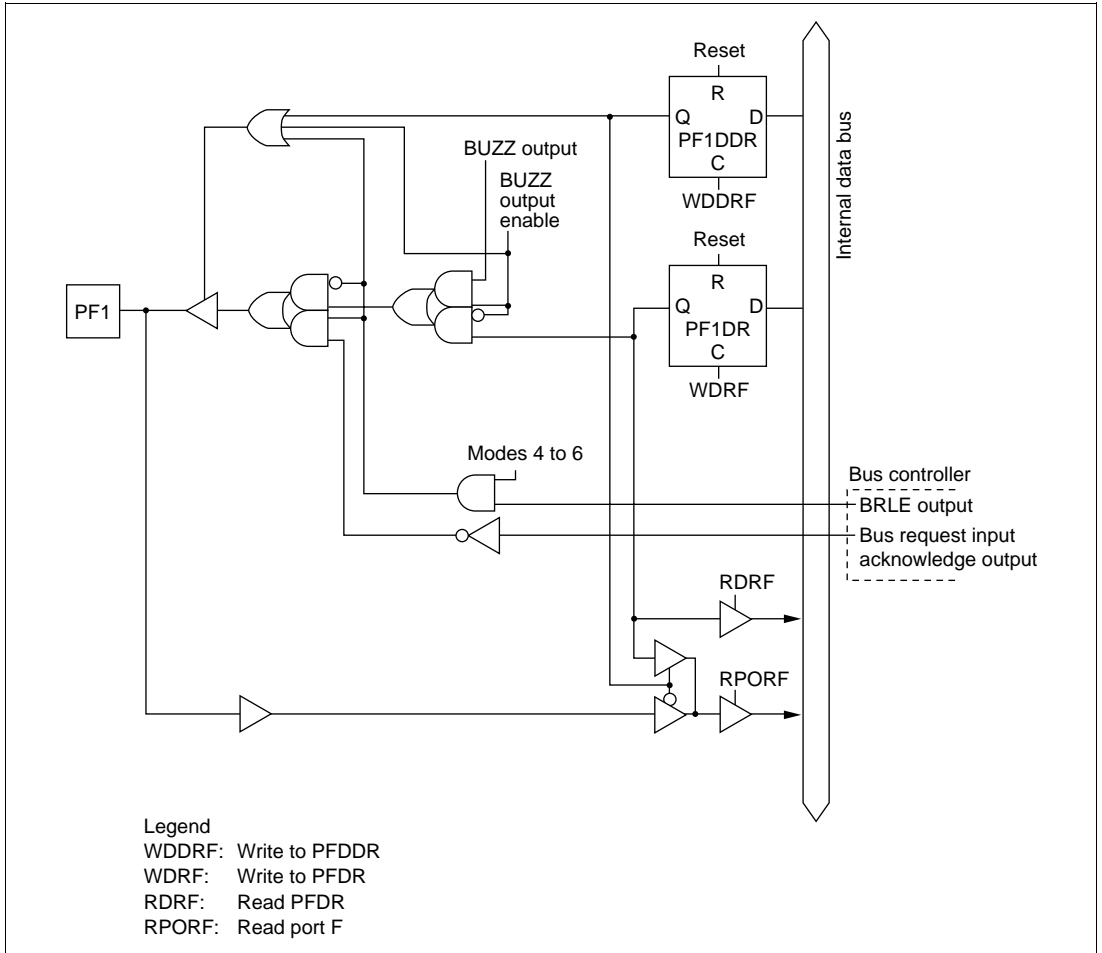
## C.9 Port F Block Diagrams



**Figure C-9 (a) Port F Block Diagram (Pin PF0)**

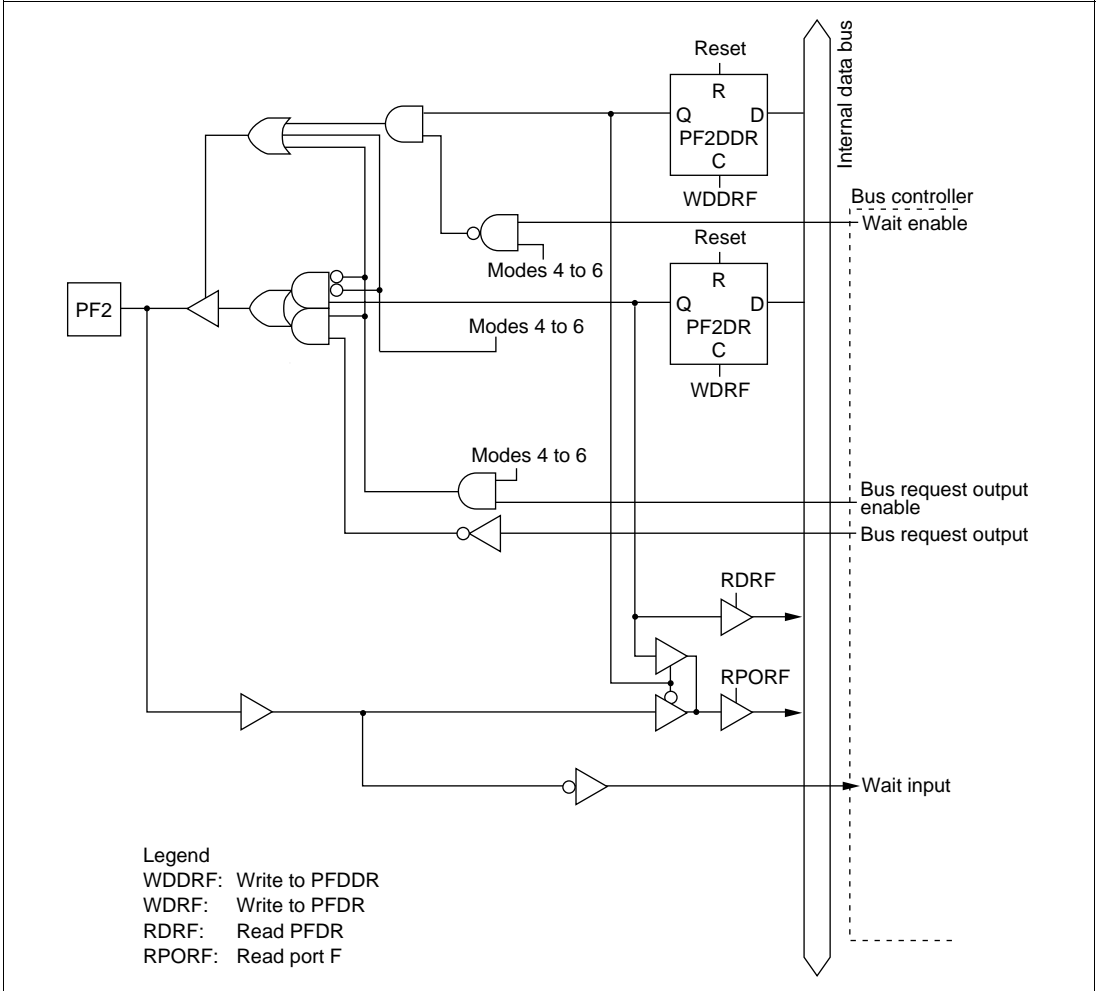


**Figure C-9 (b) Port F Block Diagram in the H8S/2623 Series (Pin PF1)**

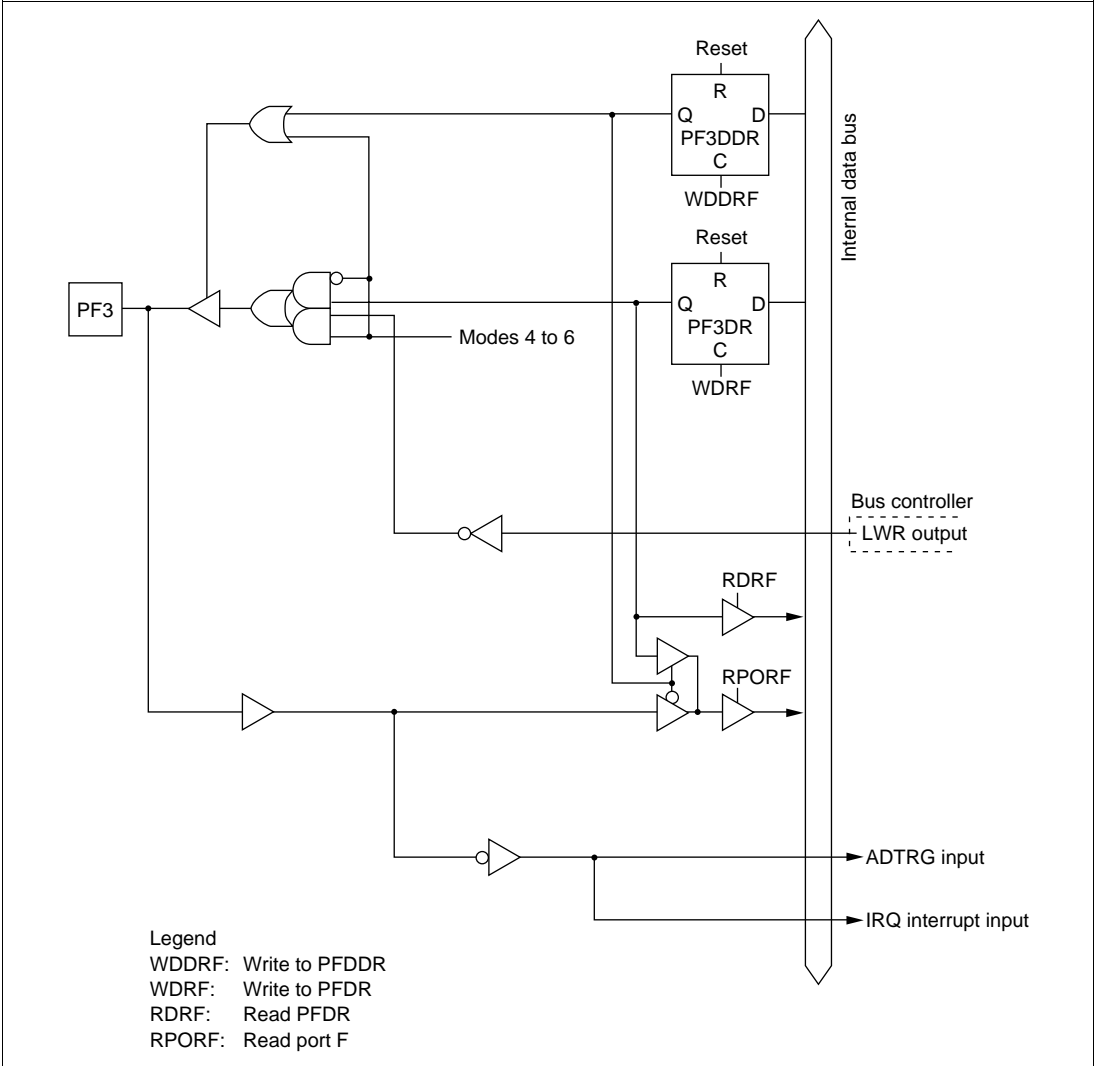


**Figure C-9 (c) Port F Block Diagram in the H8S/2626 Series (Pin PF1)**

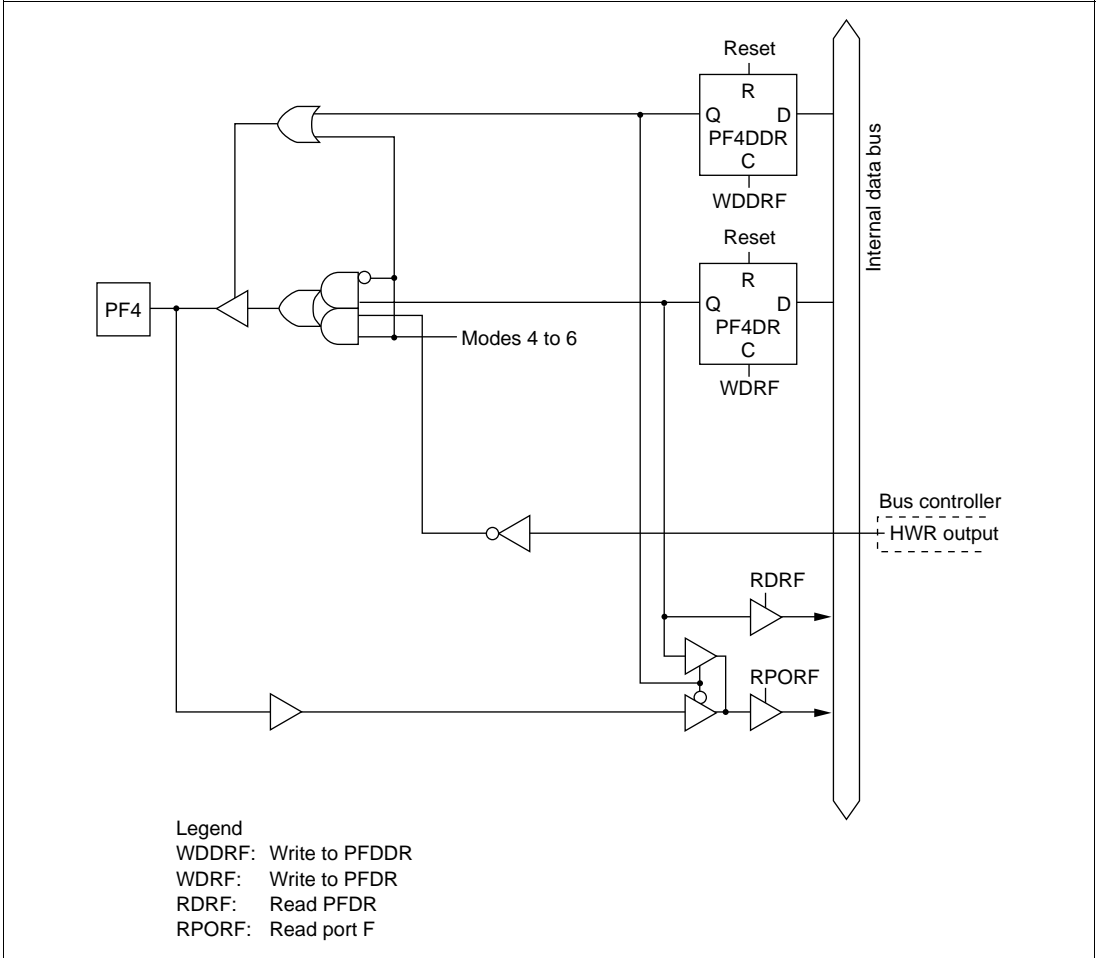




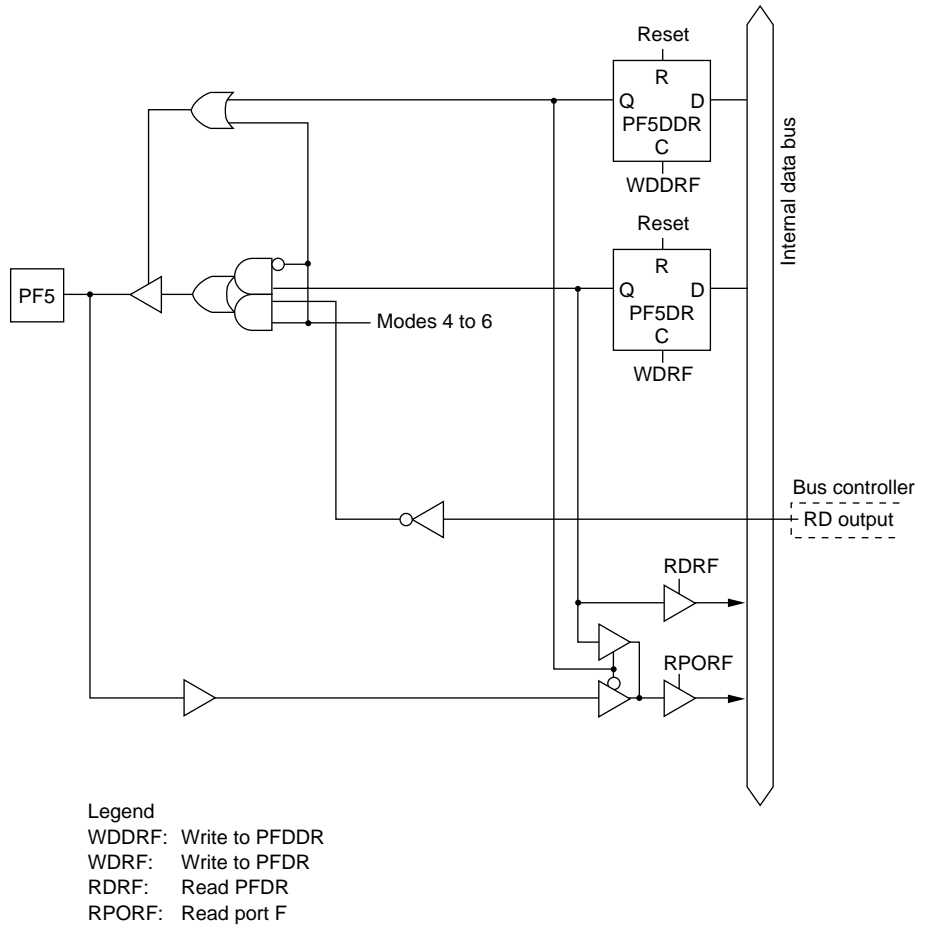
**Figure C-9 (d) Port F Block Diagram (Pin PF2)**



**Figure C-9 (e) Port F Block Diagram (Pin PF3)**



**Figure C-9 (f) Port F Block Diagram (Pin PF4)**



**Figure C-9 (g) Port F Block Diagram (Pin PF5)**





# Appendix D Pin States

## D.1 Port States in Each Mode

**Table D-1 I/O Port States in Each Processing State**

Port Name Pin Name	MCU Operating Mode	Power- On Reset	Hardware Standby Mode	Software Standby Mode	Bus Release State	Program Execution State Sleep Mode
Port 1	4, 5	L	T	[Address output, OPE = 0] T	[Address output] T	[Address output] A23 to A20
	6	T		[Address output, OPE = 1] kept [Otherwise] kept	[Otherwise] kept	[Otherwise] I/O port
	7	T	T	kept	kept	I/O port
Port 4	4 to 7	T	T	T	T	Input port
Port 9	4 to 7	T	T	T	T	Input port
PA5 PA4	4 to 7	T	T	kept	kept	I/O port
PA3/A19 PA2/A18 PA1/A17 PA0/A16	4, 5	L	T	[Address output, OPE = 0] T	[Address output] T	[Address output] A19 to A17
	6	T		[Address output, OPE = 1] kept [Otherwise] kept	[Otherwise] kept	[Otherwise] I/O port
	7	T	T	kept	kept	I/O port
Port B	4, 5	L	T	[Address output, OPE = 0] T	[Address output] T	[Address output] A15 to A8
	6	T		[Address output, OPE = 1] kept [Otherwise] kept	[Otherwise] kept	[Otherwise] I/O port
	7	T	T	kept	kept	I/O port

Port Name Pin Name	MCU Operating Mode	Power- On Reset	Hardware Standby Mode	Software Standby Mode	Bus Release State	Program Execution State Sleep Mode	
Port C	4, 5	L	T	[OPE = 0] T  [OPE = 1] kept	T	A7 to A0	
	6	T	T	[DDR = 1, OPE = 0] T  [DDR = 1, OPE = 1] kept  [DDR = 0] kept	T	[DDR = 1] A7 to A0  [DDR = 0] I/O port	
	7	T	T	kept	kept	I/O port	
Port D	4 to 6	T	T	T	T	Data bus	
	7	T	T	kept	kept	I/O port	
Port E	4 to 6	8-bit bus	T	T	kept	kept	I/O port
		16-bit bus	T	T	T	T	Data bus
	7	T	T	kept	kept	I/O port	
PF7/ $\emptyset$	4 to 6	Clock output	T	[DDR = 0] T	kept	[DDR = 0] T	
	7	T		[DDR = 1] H		[DDR = 1] Clock output	
PF6/ $\overline{AS}$	4 to 6	H	T	[OPE = 0] T  [OPE = 1] H	T	$\overline{AS}$	
	7	T	T	kept	kept	I/O port	
PF5/ $\overline{RD}$ PF4/ $\overline{HWR}$ PF3/ $\overline{LWR}$ / ADTRG/ $\overline{IRQ3}$	4 to 6	H	T	[OPE = 0] T  [OPE = 1] H	T	$\overline{RD}$ , $\overline{HWR}$ , $\overline{LWR}$	
	7	T	T	kept	kept	I/O port	
PF2/ $\overline{WAIT}$ / $\overline{BREQO}$	4 to 6	T	T	[OPE = 0] T  [OPE = 1] kept	[ $\overline{BREQOE}$ = 1] $\overline{BREQO}$  [ $\overline{WAITE}$ = 1] T	[ $\overline{BREQOE}$ = 1] $\overline{BREQO}$  [ $\overline{WAITE}$ = 1] $\overline{WAIT}$	
	7	T	T	kept	kept	I/O port	



Port Name Pin Name	MCU Operating Mode	Power- On Reset	Hardware Standby Mode	Software Standby Mode	Bus Release State	Program Execution State Sleep Mode
PF1/BACK	4 to 6	T	T	[BRLE = 0] I/O port	[BRLE = 0] I/O port	[BRLE = 0] I/O port
				[BRLE = 1] H	[BRLE = 1] L	[BRLE = 1] BACK
	7	T	T	kept	kept	I/O port
PF0/BREQ/ IRQ2	4 to 6	T	T	[BRLE = 0] kept	T	[BRLE = 0] I/O port
				[BRLE = 1] T		[BRLE = 1] BREQ
	7	T	T	kept	kept	I/O port
HTxD	4 to 7	H	T	H	H	Output
HRxD	4 to 7	Input	T	T	Input	Input

#### Legend:

H : High level

L : Low level

T : High impedance

kept : Input port becomes high-impedance, output port retains state

DDR : Data direction register

OPE : Output port enable

WAITE : Wait input enable

BRLE : Bus release enable

BREQOE : BREQO pin enable

# Appendix E Timing of Transition to and Recovery from Hardware Standby Mode

## Timing of Transition to Hardware Standby Mode

- (1) To retain RAM contents with the RAME bit set to 1 in SYSCR, drive the  $\overline{\text{RES}}$  signal low at least 10 states before the  $\overline{\text{STBY}}$  signal goes low, as shown below.  $\overline{\text{RES}}$  must remain low until  $\overline{\text{STBY}}$  signal goes low (delay from  $\overline{\text{STBY}}$  low to  $\overline{\text{RES}}$  high: 0 ns or more).

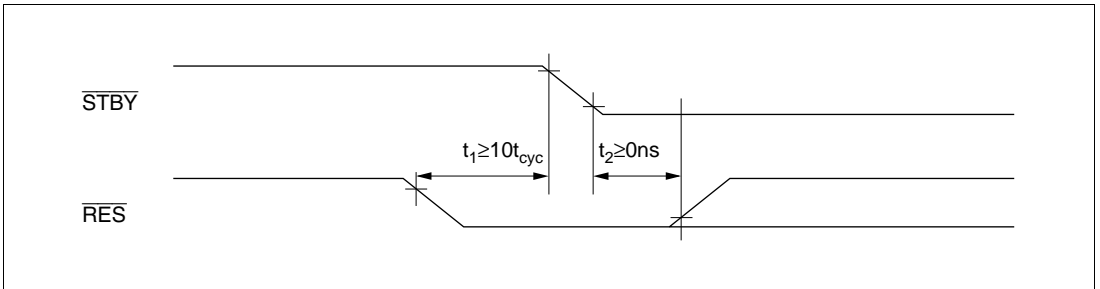


Figure E-1 Timing of Transition to Hardware Standby Mode

- (2) To retain RAM contents with the RAME bit cleared to 0 in SYSCR, or when RAM contents do not need to be retained,  $\overline{\text{RES}}$  does not have to be driven low as in (1).

## Timing of Recovery from Hardware Standby Mode

Drive the  $\overline{\text{RES}}$  signal low and the NMI signal high approximately 100 ns or more before  $\overline{\text{STBY}}$  goes high to execute a power-on reset.

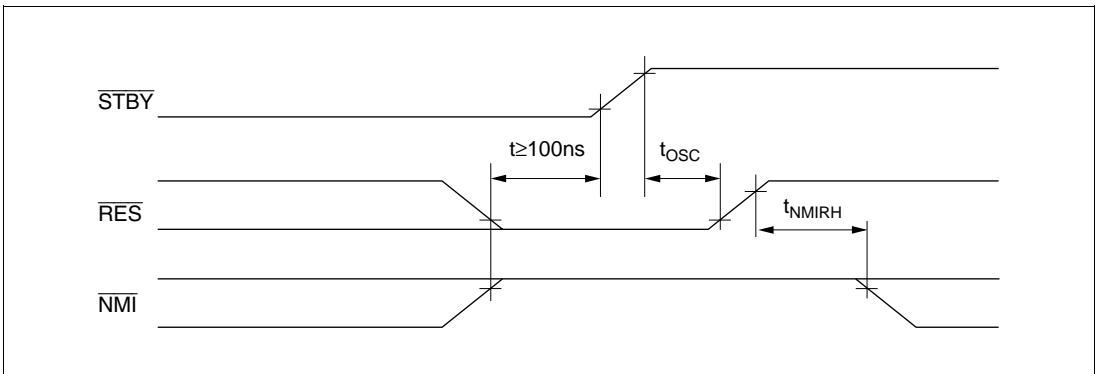


Figure E-2 Timing of Recovery from Hardware Standby Mode

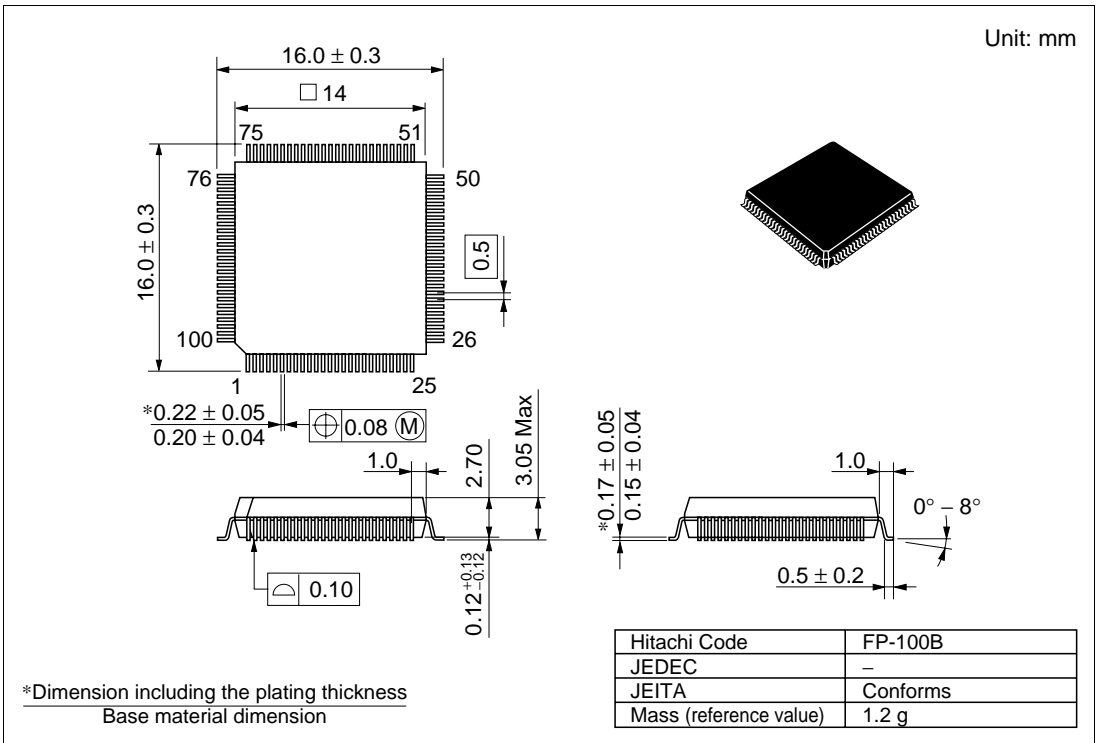
# Appendix F Product Code Lineup

**Table F-1 H8S/2626 Series and H8S/2623 Series Product Code Lineup**

Product Type		Product Code	Mark Code	Package (Hitachi Package Code)
H8S/2626	F-ZTAT version	HD64F2626	HD64F2626FA	100-pin QFP (FP-100B)
	Mask ROM version	HD6432626	HD6432626FA	100-pin QFP (FP-100B)
H8S/2625		HD6432625	HD6432625FA	100-pin QFP (FP-100B)
H8S/2624		HD6432624	HD6432624FA	100-pin QFP (FP-100B)
H8S/2623	F-ZTAT version	HD64F2623	HD64F2623FA	100-pin QFP (FP-100B)
	Mask ROM version	HD6432623	HD6432623FA	100-pin QFP (FP-100B)
H8S/2622		HD6432622	HD6432622FA	100-pin QFP (FP-100B)
H8S/2621		HD6432621	HD6432621FA	100-pin QFP (FP-100B)

# Appendix G Package Dimensions

Figure G-1 shows the FP-100B package dimensions of the H8S/2626 Series and H8S/2623 Series.



**Figure G-1 FP-100B Package Dimensions**

---

**H8S/2626 Series, H8S/2623 Series,  
H8S/2626F-ZTAT™, H8S/2623F-ZTAT™,  
Hardware Manual**

Publication Date: 1st Edition, December 1998

4th Edition, October 2002

Published by: Business Operation Division  
Semiconductor & Integrated Circuits  
Hitachi, Ltd.

Edited by: Technical Documentation Group  
Hitachi Kodaira Semiconductor Co., Ltd.

Copyright © Hitachi, Ltd., 1998. All rights reserved. Printed in Japan.