

Programmable Quad Buffer with Pre and Post Scaler Dividers

October 1993

Features

- Sine Wave Speedometer Input
- Input Limiting $\pm 0.25V$ to $\pm 100V$ (with $40k\Omega$)
- Over Voltage Protection
- Current Limiting
- Programmable Prescaler 1, 6 - 11
- Post Scaler Frequency Divide by 1 or 2
- Drivers with 15mA/24V Capability
- Outputs 4 Separate Square Waves
- Internal Regulator and Bias Source
- 0kHz to 6kHz Input Signal Range
- $-40^{\circ}C$ to $+125^{\circ}C$ Operating Temperature Range

Applications

- Prescaler
- Buffer/Limiter
- Signal Interface
- Automotive Speedometer
- Automotive Speed Control
- Automotive Tachometer

Ordering Information

PART NUMBER	TEMPERATURE RANGE	PACKAGE
HIP9020AP	$-40^{\circ}C$ to $+125^{\circ}C$	14 Lead Plastic DIP
HIP9020AB	$-40^{\circ}C$ to $+125^{\circ}C$	20 Lead Plastic SOIC (W)

Description

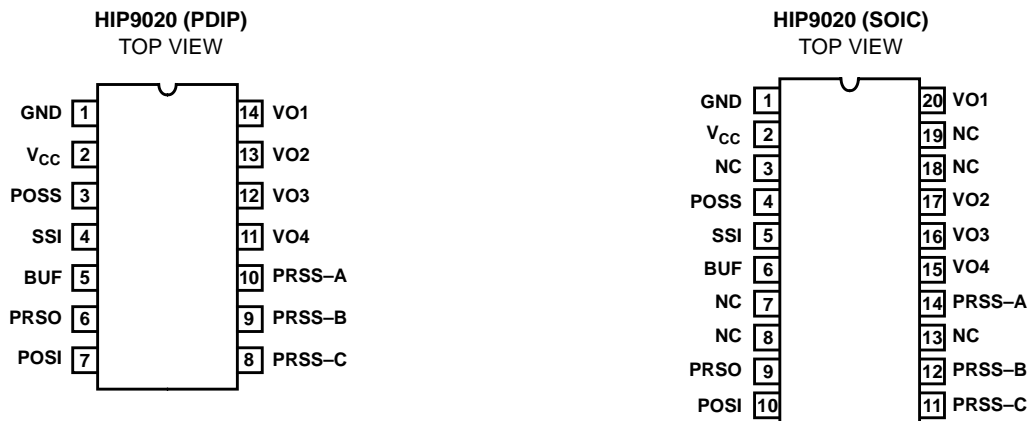
The HIP9020 is a Vehicle Speed Sensor (V_{SS}) Buffer IC. It receives sinusoidal vehicle speed information from a speedometer signal source. The signal is amplified and squared before frequency processing is done. The circuit provides pin programmable integer prescaler and postscaler dividers to scale the output frequencies. The prescaler divider output of the frequency doubler is mode selected for 1 and 6 through 11. The postscaler mode is selected to the Output 3 with a divide by 1 or 2. The four V_{OX} outputs are open collector drivers.

Speed Sensor Input (SSI) - When current limited with a $40k\Omega$ source impedance from the vehicle speed sensor, the SSI input is capable of functioning over a wide range of input signal. The limiter and squaring action is derived from the zero crossing of the input signal. The signal is converted into a square wave with a controlled hysteresis squaring amplifier.

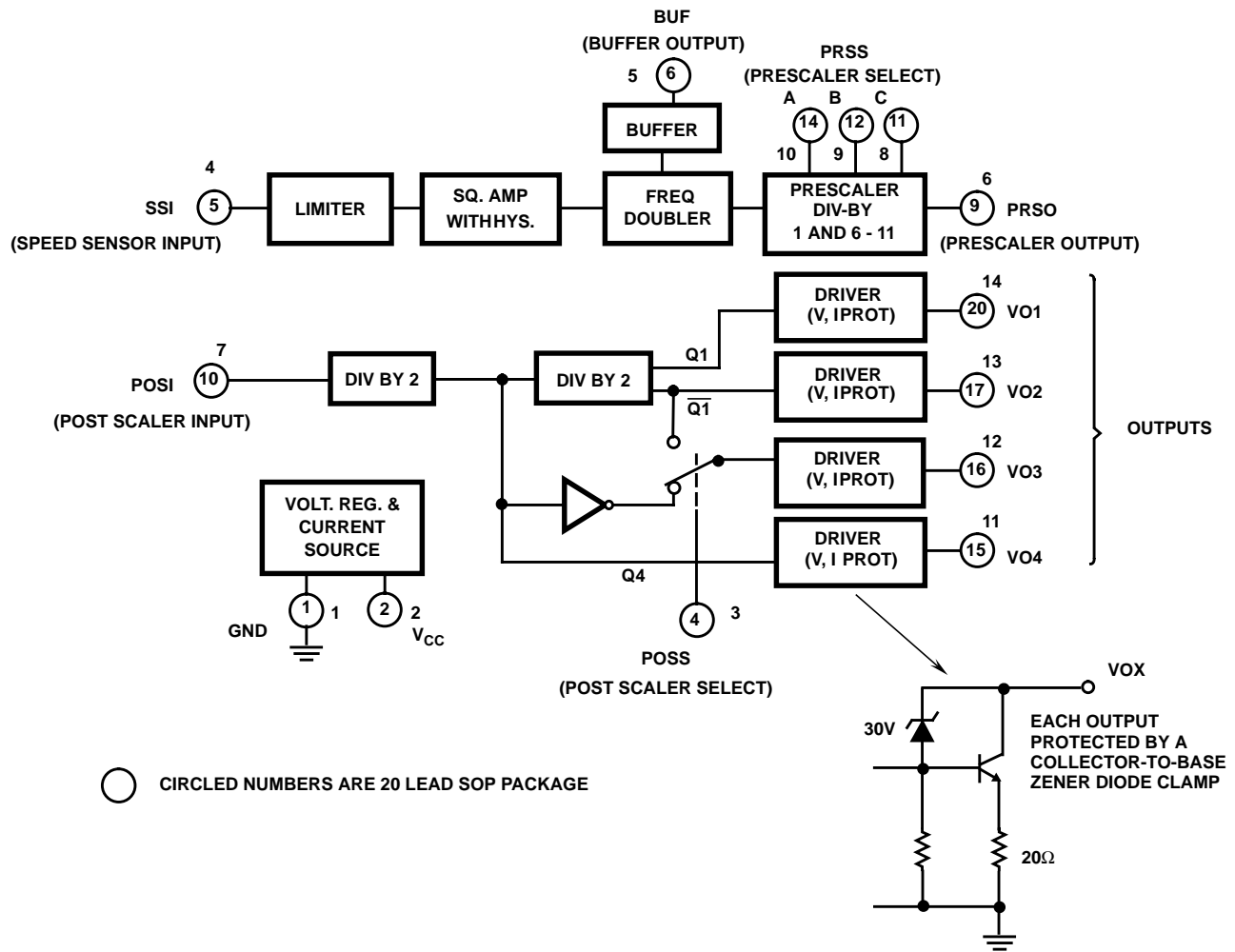
Power Supply - The power supply pin 2 input is intended to operate from a $5.0V \pm 0.3V$ source. The internal reference sources are derived from a temperature stable bandgap; including an optional 5.7V shunt regulator which may be used as shown in Figure 2.

Output Drivers - Each output driver is an open NPN collector with a zener clamp level of typically 35V and short circuit current limiting. Each output is capable of sinking 15mA of current.

Pinouts



Programmable Quad Buffer Functional Block Diagram



LOGIC SELECT FOR INPUT (SSI) TO OUTPUT (VOX) DIV-BY NUMBER

PRSS-A	PRSS-B	PRSS-C	VO1, VO2, VO3 (POSS HIGH) DIV-BY	VO4 (POSS HIGH) DIV-BY	VO1, VO2 (POSS LOW) DIV-BY	VO3, VO4 (POSS LOW) DIV-BY
0	0	0	2	1	2	1
0	0	1	12	6	12	6
0	1	0	14	7	14	7
0	1	1	16	8	16	8
1	0	0	18	9	18	9
1	0	1	20	10	20	10
1	1	0	22	11	22	11

Specifications HIP9020

Absolute Maximum Ratings

Supply Voltage to Pin 2, V_{CC} (Shunt Regulator) +24V_{DC} Max through 300Ω and a Series Diode (1N4005 or Equiv.) or +5.3V
 Max Direct Voltage Supply Source to V_{CC}
 Output Voltage (Sustained) to V01,V02,V03,V04 +24V
 Output Load Current (Sink) +15mA
 Input Voltage (Through 40kΩ, See Figure 1) ±100V

Thermal Information

Thermal Resistance θ_{JA}
 Plastic DIP and SOIC Package 90°C/W
 Maximum Package Power Dissipation up to +85°C 720mW
 Derate above 85°C 11.1mW/°C
 Operating Temperature Range -40°C to +125°C
 Storage Temperature Range -65°C to +150°C
 Maximum Junction Temperature +150°C
 Lead Temperature (Soldering 10s) +265°C

CAUTION: Stresses above those listed in "Absolute Maximum Ratings" may cause permanent damage to the device. This is a stress only rating and operation of the device at these or any other conditions above those indicated in the operational sections of this specification is not implied.

Electrical Specifications $T_A = -40^\circ\text{C}$ to $+125^\circ\text{C}$, $V_{CC} = 5\text{V} \pm 0.3\text{V}$, Unless Otherwise Specified

PARAMETERS	SYMBOL	TEST CONDITIONS	MIN	MAX	UNITS
Power Supply (V_{CC})					
Supply Current	I_{CC}		-	12	mA
SSI Input (Test Point - T.P.A., See Figure 1)					
Max. Operating Frequency	$f_{S(MAX)}$	40kΩ Source, 0.01μF Input Shunt	-	6	kHz
Input Signal Range		40kΩ Source, 0.01μF Input Shunt	±0.25	±100	V
Input Hysteresis		40kΩ Source, 0.01μF Input Shunt	0.15	0.45	V
Input Bias Current		40kΩ Source, 0.01μF Input Shunt	-0.5	+0.5	μA
Other Inputs (PRSS, POSS, POSI - See Function Block Diagram)					
Input Low Voltage	V_{IL}		-	1.5	V
Input High Voltage	V_{IH}		3.5	-	V
Input Current High	I_{IH}	$V_{CC} = V_{IN} = 4.7\text{V}$	-	10	μA
Input Current Low	I_{IL}	$V_{CC} = 5.3; V_{IN} = 0.4\text{V}$	-10	-	μA
PRSO Output					
Output Voltage Low	V_{OL}	$V_{CC} = 5\text{V}$	-	0.4	V
Output Voltage High	V_{OH}	$V_{CC} = 5\text{V}$	4.6	-	V
Driver Outputs (V01, V02, V03, V04)					
Output Clamp Voltage		$I_{CC} = 1\text{mA}$	24	45	V
Output Current Limit		I_{SC} Current Pulsed	15	30	mA
Output Leakage		$V_{OUT} = 24\text{V}$	-	30	μA
Output Saturation Voltage	V_{SAT}	$I_{OUT} = 15\text{mA}$	-	1	V
		$I_{OUT} = 1\text{mA}$	-	0.4	V

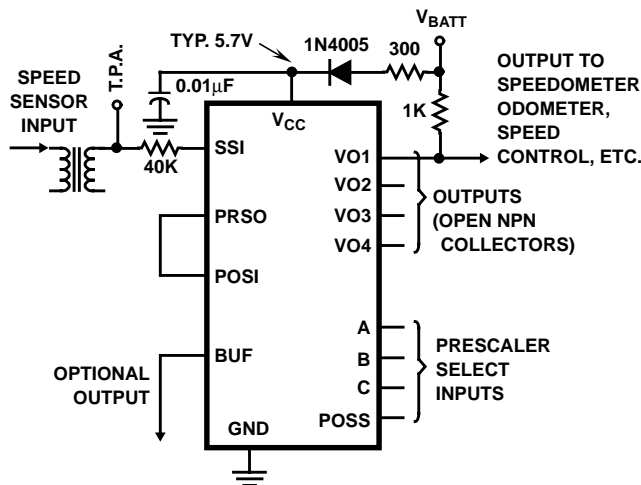


FIGURE 1. TYPICAL AUTOMOTIVE APPLICATION CIRCUIT

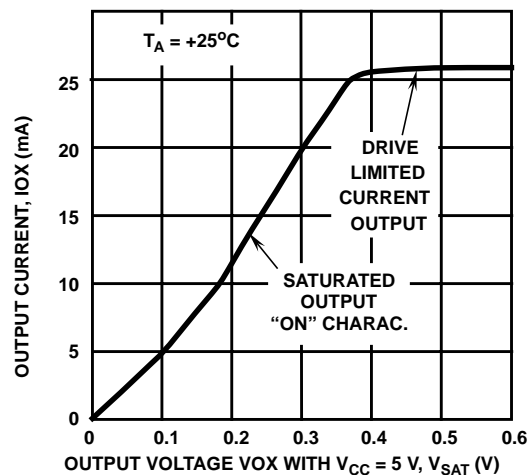


FIGURE 2. TYPICAL OUTPUT DRIVER SATURATED "ON" CHARACTERISTIC

All Intersil semiconductor products are manufactured, assembled and tested under **ISO9000** quality systems certification.

Intersil products are sold by description only. Intersil Corporation reserves the right to make changes in circuit design and/or specifications at any time without notice. Accordingly, the reader is cautioned to verify that data sheets are current before placing orders. Information furnished by Intersil is believed to be accurate and reliable. However, no responsibility is assumed by Intersil or its subsidiaries for its use; nor for any infringements of patents or other rights of third parties which may result from its use. No license is granted by implication or otherwise under any patent or patent rights of Intersil or its subsidiaries.

For information regarding Intersil Corporation and its products, see web site <http://www.intersil.com>

Sales Office Headquarters

NORTH AMERICA

Intersil Corporation
P. O. Box 883, Mail Stop 53-204
Melbourne, FL 32902
TEL: (407) 724-7000
FAX: (407) 724-7240

EUROPE

Intersil SA
Mercure Center
100, Rue de la Fusee
1130 Brussels, Belgium
TEL: (32) 2.724.2111
FAX: (32) 2.724.22.05

ASIA

Intersil (Taiwan) Ltd.
Taiwan Limited
7F-6, No. 101 Fu Hsing North Road
Taipei, Taiwan
Republic of China
TEL: (886) 2 2716 9310
FAX: (886) 2 2715 3029