

LMS1585A/LMS1587

5A and 3A Low Dropout Fast Response Regulators

General Description

The LMS1585A and LMS1587 are low dropout positive regulators with output load current of 5A and 3A respectively. Their low dropout voltage (1.2V) and fast transient response make them an excellent solution for low voltage microprocessor applications.

The LMS1585A/87 are available in adjustable versions, which can set the output voltage with only two external resistors. In addition, they are also available in a 3.3V fixed voltage version (Note 9).

The LMS1585A/87 circuits include a zener trimmed bandgap reference, current limiting and thermal shutdown.

The LMS1585A/87 series are available in TO-220 and TO-263 packages.

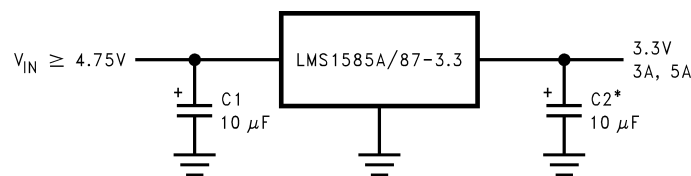
Features

- Fast transient response
- Available in Adjustable, 1.5V, and 3.3V versions
- Current limiting and thermal protection
- Commercial temp. range 0°C to 125°C
- Industrial temp. range -40°C to 125°C
- Line regulation 0.005% (typical)
- Load regulation 0.05% (typical)
- Direct replacement for LT™1585A/87

Applications

- Pentium™ processor supplies
- PowerPC™ supplies
- Other 2.5V to 3.6V microprocessor supplies
- Low voltage logic supplies

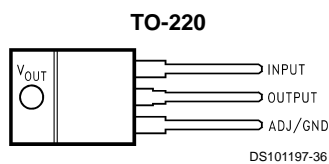
Typical Application



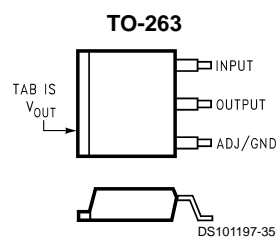
* REQUIRED FOR STABILITY

DS101197-1

Connection Diagrams



Top View

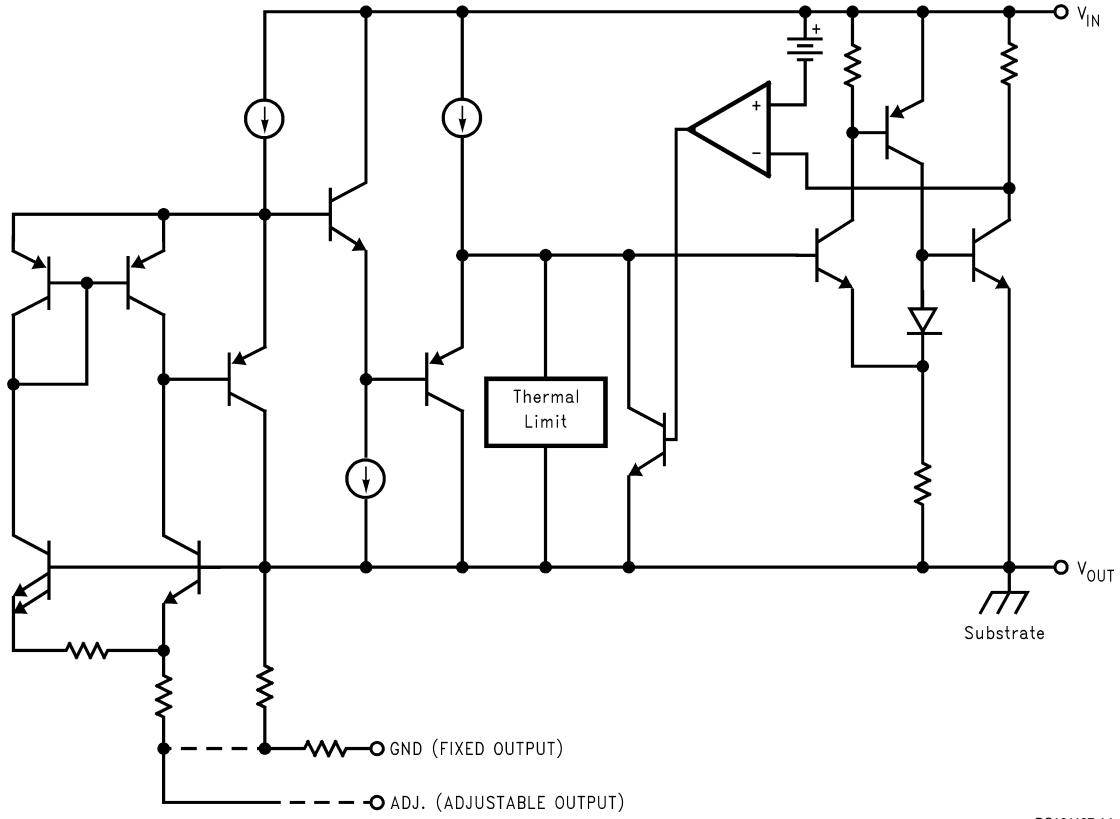


Top View

Ordering Information

Output Current	Package	Temperature Range	Part Number	Transport Media	NSC Drawing		
3A	TO-263	0°C to 125°C	LMS1587CS-ADJ	Rails	TS3B		
			LMS1587CSX-ADJ	Tape and Reel			
			LMS1587CS-1.5	Rails			
			LMS1587CSX-1.5	Tape and Reel			
			LMS1587CS-3.3	Rails			
			LMS1587CSX-3.3	Tape and Reel			
		-40°C to 125°C	LMS1587IS-ADJ	Rails			
			LMS1587ISX-ADJ	Tape and Reel			
			LMS1587IS-3.3	Rails			
			LMS1587ISX-3.3	Tape and Reel			
	TO-220	0°C to 125°C	LMS1587CT-ADJ	Rails	T03B		
			LMS1587CT-3.3	Rails			
		-40°C to 125°C	LMS1587IT-ADJ	Rails			
			LMS1587IT-3.3	Rails			
5A	TO-263	0°C to 125°C	LMS1585ACS-ADJ	Rails	TS3B		
			LMS1585ACSX-ADJ	Tape and Reel			
			LMS1585ACS-3.3	Rails			
			LMS1585ACSX-3.3	Tape and Reel			
			-40°C to 125°C	LMS1585AIS-ADJ		Rails	
				LMS1585AISX-ADJ		Tape and Reel	
		LMS1585AIS-3.3		Rails			
		LMS1585AISX-3.3		Tape and Reel			
		TO-220	0°C to 125°C	LMS1585ACT-ADJ		Rails	T03B
				LMS1585ACT-3.3		Rails	
	-40°C to 125°C		LMS1585AIT-ADJ	Rails			
			LMS1585AIT-3.3	Rails			

Simplified Schematic



DS101197-14

Absolute Maximum Ratings (Note 1)

If Military/Aerospace specified devices are required, please contact the National Semiconductor Sales Office/ Distributors for availability and specifications.

Maximum Input to Output Voltage
(V_{IN} to GND) 13V

Power Dissipation (Note 2)

Junction Temperature (T_J)(Note 2)

Storage Temperature Range

Lead Temperature

ESD Tolerance (Note 3)

Internally Limited

150°C

-65°C to 150°C

260°C, 10 sec

2000V

Electrical Characteristics

Typicals and limits appearing in normal type apply for $T_J = 25^\circ\text{C}$. Limits appearing in **Boldface** type apply over the entire junction temperature range for operation, 0°C to 125°C for commercial grade and -40°C to 125°C for industrial grade.

Symbol	Parameter	Conditions	Min (Note 5)	Typ (Note 4)	Max (Note 5)	Units
V_{REF}	Reference Voltage	LMS1585A-ADJ $V_{IN}-V_{OUT} = 3V, I_{OUT} = 10mA$ $10mA \leq I_{OUT} \leq 5A, 1.5V \leq V_{IN}-V_{OUT} \leq 5.75V$	1.238 1.225	1.25 1.250	1.262 1.275	V V
		LMS1587-ADJ $10mA \leq I_{OUT} \leq 3A, 1.5V \leq V_{IN}-V_{OUT} \leq 5.75V$	1.225	1.250	1.275	V
V_{OUT}	Output Voltage	LMS1585A-3.3 $I_{OUT} = 0mA, V_{IN} = 5V$ $0 \leq I_{OUT} \leq 5A, 4.75V \leq V_{IN} \leq 7V$	3.267 3.235	3.300 3.300	3.333 3.365	V V
		LMS1587-1.5 $V_{IN} = 5V, I_{OUT} = 0mA, T_J = 25^\circ\text{C}$ $0 \leq I_{OUT} \leq 3A, 3V \leq V_{IN} \leq 7V$	1.485 1.470	1.500 1.500	1.515 1.530	V V
		LMS1587-3.3 $0 \leq I_{OUT} \leq 3A, 4.75V \leq V_{IN} \leq 7V$	3.235	3.300	3.365	V
ΔV_{OUT}	Line Regulation (Note 6)	LMS1585A/87-ADJ $I_{OUT} = 10mA, 2.75V \leq V_{IN} \leq 7V$		0.005	0.2	%
		LMS1585A/87-3.3 $I_{OUT} = 0mA, 4.75V \leq V_{IN} \leq 7V$		0.005	0.2	%
		LMS1587-1.5 $I_{OUT} = 0mA, 3V \leq V_{IN} \leq 7V$		0.005	0.2	%
ΔV_{OUT}	Load Regulation (Note 6)	LMS1585A-ADJ $V_{IN}-V_{OUT} = 3V, 10mA \leq I_{OUT} \leq 5A$		0.05 0.05	0.3 0.5	% %
		LMS1585A-3.3 $V_{IN} = 5V, 0 \leq I_{OUT} \leq 5A$		0.05 0.05	0.3 0.5	% %
		LMS1587-ADJ $V_{IN}-V_{OUT} = 3V, 10mA \leq I_{OUT} \leq 3A$		0.05 0.05	0.3 0.5	% %
		LMS1587-1.5 $V_{IN} = 5V, 0 \leq I_{OUT} \leq 3A$		0.05 0.05	0.3 0.5	% %
		LMS1587-3.3 $V_{IN} = 5V, 0 \leq I_{OUT} \leq 3A$		0.05 0.05	0.3 0.5	% %
$V_{IN}-V_{OUT}$	Dropout Voltage	LMS1585A-ADJ/LMS1587-ADJ $\Delta V_{REF} = 1\%, I_{OUT} = 3A$		1.15	1.3	V
		LMS1585A-3.3/LMS1587-3.3/LMS1587-1.5 $\Delta V_{OUT} = 1\%, I_{OUT} = 3A$		1.15	1.3	V
		LMS1585A-ADJ $\Delta V_{REF} = 1\%, I_{OUT} = 5A$		1.2	1.4	V
		LMS1585A-3.3 $\Delta V_{OUT} = 1\%, I_{OUT} = 5A$		1.2	1.4	V
I_{LIMIT}	Current Limit	LMS1585A-ADJ/LMS1585A-3.3 $V_{IN}-V_{OUT} = 5.5V$	5.0	6.6		A
		LMS1587-ADJ/LMS1587-3.3 $V_{IN}-V_{OUT} = 5.5V$	3.1	4.3		A
		LMS1587-1.5 $V_{IN}-V_{OUT} = 5.5V$	3.100	3.750		A

Electrical Characteristics (Continued)

Typicals and limits appearing in normal type apply for $T_J = 25^\circ\text{C}$. Limits appearing in **Boldface** type apply over the entire junction temperature range for operation, 0°C to 125°C for commercial grade and -40°C to 125°C for industrial grade.

Symbol	Parameter	Conditions	Min (Note 5)	Typ (Note 4)	Max (Note 5)	Units
	Minimum Load Current (Note 7)	LMS1585A/87-ADJ $1.5\text{V} \leq V_{\text{IN}} - V_{\text{OUT}} \leq 5.75\text{V}$		2.0	10.0	mA
	Quiescent Current	LMS1585A-3.3/LMS1587-3.3/LMS1587-1.5 $V_{\text{IN}} = 5\text{V}$		7.0	13.0	mA
	Thermal Regulation	$T_A = 25^\circ\text{C}$, 30ms Pulse		0.003		%/W
	Ripple Rejection	LMS1585A-ADJ $f_{\text{RIPPLE}} = 120\text{Hz}$, $V_{\text{IN}} - V_{\text{OUT}} = 3\text{V}$, $I_{\text{OUT}} = 5\text{A}$ $C_{\text{OUT}} = 25\mu\text{F}$ Tantalum		72		dB
		LMS1585-3.3 $f_{\text{RIPPLE}} = 120\text{Hz}$, $C_{\text{OUT}} = 25\mu\text{F}$ Tantalum, $I_{\text{OUT}} = 5\text{A}$, $V_{\text{IN}} = 6.3\text{V}$		72		dB
		LMS1587-ADJ $f_{\text{RIPPLE}} = 120\text{Hz}$, $V_{\text{IN}} - V_{\text{OUT}} = 3\text{V}$, $I_{\text{OUT}} = 3\text{A}$ $C_{\text{OUT}} = 25\mu\text{F}$ Tantalum		72		dB
		LMS1587-1.5 $f_{\text{RIPPLE}} = 120\text{Hz}$, $C_{\text{OUT}} = 25\mu\text{F}$ Tantalum, $I_{\text{OUT}} = 3\text{A}$, $V_{\text{IN}} = 4.5\text{V}$	60	72		dB
		LMS1587-3.3 $f_{\text{RIPPLE}} = 120\text{Hz}$, $C_{\text{OUT}} = 25\mu\text{F}$ Tantalum, $I_{\text{OUT}} = 3\text{A}$, $V_{\text{IN}} = 6.3\text{V}$		72		dB
	Adjust Pin Current			55	120	μA
	Adjust Pin Current	$10\text{mA} \leq I_{\text{OUT}} \leq I_{\text{FULLLOAD}}$ $1.5\text{V} \leq V_{\text{IN}} - V_{\text{OUT}} \leq 5.75\text{V}$ (Note 8)		0.2		μA
	Temperature Stability			0.5		%
	Long Term Stability	$T_A = 125^\circ\text{C}$, 1000Hrs		0.03		%
	RMS Output Noise (% of V_{OUT})	$10\text{Hz} \leq f \leq 10\text{kHz}$		0.003		%
	Thermal Resistance Junction-to-Case	3-Lead TO-263: Control/Output Section			0.65/2.7	$^\circ\text{C}/\text{W}$
		3-Lead TO-220: Control/Output Section			0.65/2.7	$^\circ\text{C}/\text{W}$

Note 1: Absolute Maximum Ratings indicate limits beyond which damage to the device may occur. Operating Ratings indicate conditions for which the device is intended to be functional, but specific performance is not guaranteed. For guaranteed specifications and the test conditions, see the Electrical Characteristics.

Note 2: The maximum power dissipation is a function of $T_{J(\text{max})}$, θ_{JA} , and T_A . The maximum allowable power dissipation at any ambient temperature is $P_D = (T_{J(\text{max})} - T_A) / \theta_{\text{JA}}$. All numbers apply for packages soldered directly into a PC board.

Note 3: For testing purposes, ESD was applied using human body model, $1.5\text{k}\Omega$ in series with 100pF .

Note 4: Typical Values represent the most likely parametric norm.

Note 5: All limits are guaranteed by testing or statistical analysis.

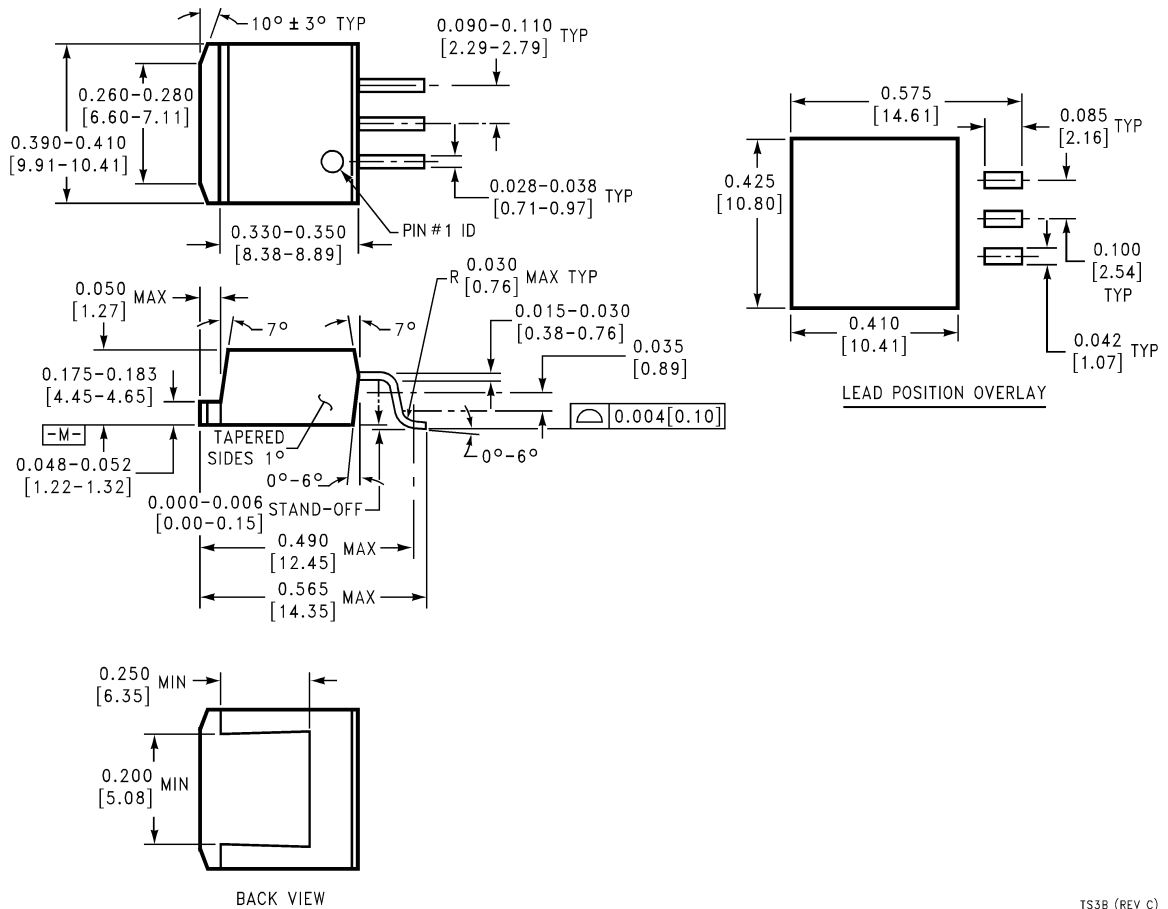
Note 6: Load and line regulation are measured at constant junction temperature, and are guaranteed up to the maximum power dissipation of 30W . Power dissipation is determined by the input/output differential and the output current. Guaranteed maximum power dissipation will not be available over the full input/output range.

Note 7: The minimum output current required to maintain regulation.

Note 8: I_{FULLLOAD} is 5A for LMS1585A and 3A for LMS1587.

Note 9: Consult factory for other fixed voltage options.

Physical Dimensions inches (millimeters) unless otherwise noted



**3-Lead TO-263 Package
NSC Package Number TS3B**

TS3B (REV C)

