

### Description

The SX8124 is 24 hours timer with an analog programmable duty cycle that synchronizes on European standard (220V/50Hz) and US standard (110V/60Hz) mains for high timing precision without calibration or resonator.

The SX8124 starts counting time when connected to the mains, its internal counter can be reset on the press of a button (optional) or by setting the duration to zero. The SX8124 duty cycle is set using one single resistive divider. Its output can be forced on or off with the press of the optional button.

SX8124 outputs are complementary to simplify the connection of switches and an optional LED can confirm the timer status.

### Features

- 24 hours timer synchronized on mains frequency
- Analog period setting
- Automatic 50 Hz and 60 Hz detection
- Simplest usage
- Manual on/off/reset option
- LED status option

### Applications

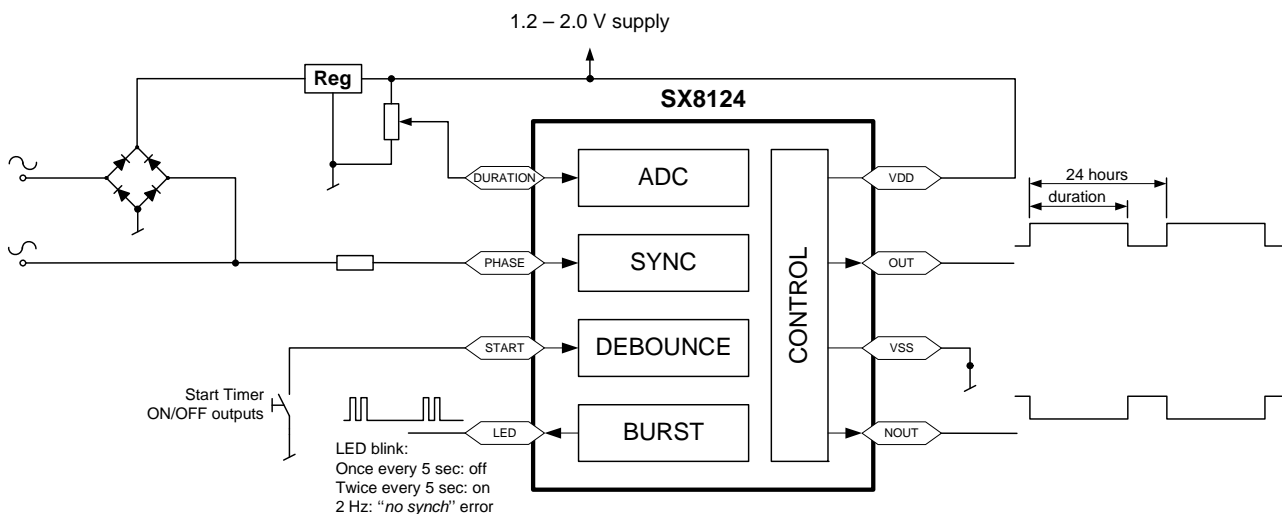
- Mosquito repellent
- Odor killers
- Illuminated decoration
- Xmas animation

### Ordering Information

Part number	Function	Package
SX8124ISTR	24 hours timer	SOIC-8

- Available in tape and reel only  
 - WEEE/RoHS compliant. Pb-Free and Halogen Free.

### Functional Bloc Diagram



## TABLE OF CONTENT

Section	Page
ELECTRICAL SPECIFICATION . . . . .	3
1 Absolute Maximum Ratings . . . . .	3
2 Specifications . . . . .	4
2.1 Operating Conditions . . . . .	4
2.2 Circuit specification . . . . .	4
TECHNICAL DESCRIPTION . . . . .	6
3 Pinout . . . . .	6
3.1 Digital input levels . . . . .	7
3.2 Pin states . . . . .	7
4 Power Modes . . . . .	8
4.1 Safe mode . . . . .	8
4.2 Low voltage mode . . . . .	8
4.3 Active mode . . . . .	8
5 System architecture . . . . .	9
6 24h Timer . . . . .	10
6.1 Operating . . . . .	10
6.2 Debounce on START pin . . . . .	10
7 Setting duration . . . . .	11
8 Timer synchronization on a 50Hz or 60Hz external phase . . . . .	12
8.1 External phase available for synchronization . . . . .	12
8.2 No phase available for synchronization . . . . .	12
9 Timer reset . . . . .	13
9.1 Reset with the START pin . . . . .	13
9.2 Reset with the DURATION pin . . . . .	14
10 LED output . . . . .	15
10.1 Synchronized on phase, outputs ON . . . . .	15
10.2 Synchronized on phase, outputs OFF . . . . .	15
10.3 Not synchronized on phase . . . . .	16
APPLICATION EXAMPLES . . . . .	17
11 Complete application schematics . . . . .	17
11.1 LED boosters . . . . .	18
11.2 Low cost LED output . . . . .	19
MECHANICAL SPECIFICATION . . . . .	20
12 Packages . . . . .	20
12.1 SOIC-8 . . . . .	20
12.1.1 Outline drawing . . . . .	20
12.1.2 Land pattern . . . . .	21
12.1.3 Marking information . . . . .	22

**ELECTRICAL SPECIFICATION**
**1 Absolute Maximum Ratings**

**Note** The Absolute Maximum Ratings, in table below, are stress ratings only. Functional operation of the device at conditions other than those indicated in the Operating Conditions sections of this specification is not implied. Exposure to the absolute maximum ratings, where different to the operating conditions, for an extended period may reduce the reliability or useful lifetime of the product.

**Table 1. Absolute maximum ratings**

Parameter		Symbol	Min	Max	Unit
Supply Voltage		VAMRVDD	-0.3	2.5	V
Pin Voltage (non-supply pins)		VAMRVIN	VSS - 0.3	VDD + 0.3	V
Sink or source current on any pin		IAMRISS	-100	100	mA
Storage Temp		TSTOR	-50	+150	°C
ESD conditions	HBM	ESDHBM	4000		V
	CDM	ESDCDM	1000		V
	MM	ESDMM	200		V

## 2 Specifications

### 2.1 Operating Conditions

**Note** Circuit operates within the Supply Voltage Range  $VDD-VSS = VDDOC$ .  
The specification is verified within the Full Spec Voltage Range  $VDD-VSS = VDDSPEC$ .

**Table 2. Operating range**

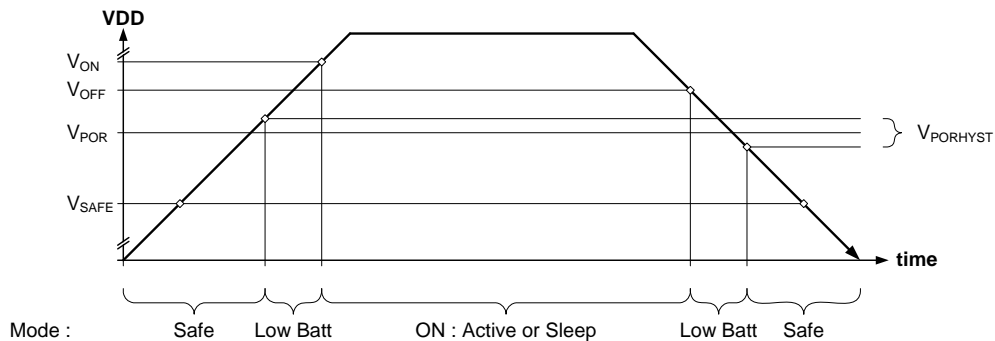
Parameter	Symbol	Min	Max	Unit
Supply Voltage Range	VDDOC	0.9	2.0	V
Full Spec Voltage Range	VDDSPEC	1.0	1.8	V
Ambient Temperature	TOC	-40	+85	°C

### 2.2 Circuit specification

**Note** Conditions: Temperature within TOC and  $VDD-VSS$  within VDDSPEC, unless otherwise stated.

**Table 3. Circuit electrical specification**

Parameter	Symbol	Min	Typ	Max	Unit	
Safe mode low limit	VSAFE		0.6	0.7	V	
POR voltage	Threshold	V <sub>POR</sub>	0.9		V	
	Hysteresis	V <sub>PORHYST</sub>	150		mV	
Switch ON level	V <sub>ON</sub>	0.95	1.05	1.15	V	
Switch OFF level	V <sub>OFF</sub>	T : 0 to 70°C	0.85	0.95	1.00	V
		T : -40 to 85°C	0.85	0.95	1.05	V



**Table 4. Circuit power consumption specifications**

Parameter		Symbol	Min	Typ	Max	Unit
Supply current in Timer Active mode (outputs no loaded...)	VDD=2.0V	I <sub>ACTIVE</sub>		30		μA
	VDD=1.2V			19		μA
Supply current in Low Voltage mode		I <sub>LV</sub>		10	30	μA
Supply current in Safe mode		I <sub>SAFE</sub>			10	μA

**Table 5. Digital IOs specifications**

Parameter		Symbol	Min	Typ	Max	Unit
Startup time at power-on		t <sub>START</sub>		0.1		s
Output High Voltage		V <sub>OH</sub>	3/4 VDD		VDD	V
Output Low Voltage		V <sub>OL</sub>	VSS		1/4 VDD	V
Max Source Current at min V <sub>OH</sub>	VDD = 0.9 V	I <sub>OH09</sub>	4			mA
	VDD >= 1.2 V	I <sub>OH12</sub>	10			mA
Max Sink Current at max V <sub>OL</sub>	VDD = 0.9 V	I <sub>OL09</sub>	4			mA
	VDD >= 1.2 V	I <sub>OL12</sub>	10			mA
Input capacitance		C <sub>I</sub>			10	pF

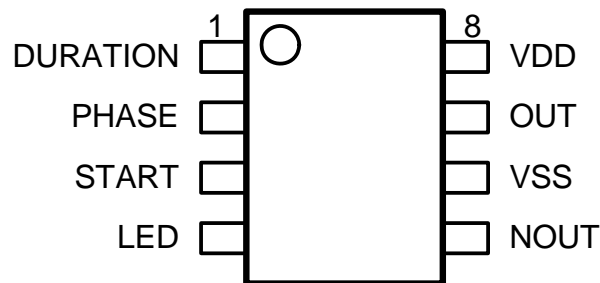
**Table 6. General specifications**

Parameter	Symbol	Min	Typ	Max	Unit
Time to synchronize on mains frequency	T <sub>Synch</sub>		250		ms
Minimal time of active button to reset internal counter	T <sub>Reset</sub>		3		s
Pull-up resistor on START	R <sub>PULL</sub>	30		100	kOhm

**TECHNICAL DESCRIPTION**
**3 Pinout**
**Table 7. SOIC-8 pinout**

Pin#	Pin name	Pin type	Pin function	Reset
1	DURATION	Analog input	Analog input to set duty cycle. <sup>1</sup>	High impedance
2	PHASE	Digital input	Input for phase and frequency detection	High impedance
3	START	Digital input	Optional button to reset counter or switch output	pull up
4	LED	Digital output	Optional LED pulses	VSS
5	NOUT	Digital output	Output, low when active	VSS
6	VSS	Power ground	Negative supply and IC ground	Negative supply
7	OUT	Digital input	Output, high when active	VDD
8	VDD	Power positive	Positive supply	Positive supply

1. In active mode, input impedance on DURATION pin is 500k min, 750k typical and 1000k max.


*Figure 1. SOIC-8 pinout*

### 3.1 Digital input levels

Input thresholds levels scale with VDD. Inputs have an hysteresis based on a Schmitt trigger schematics.

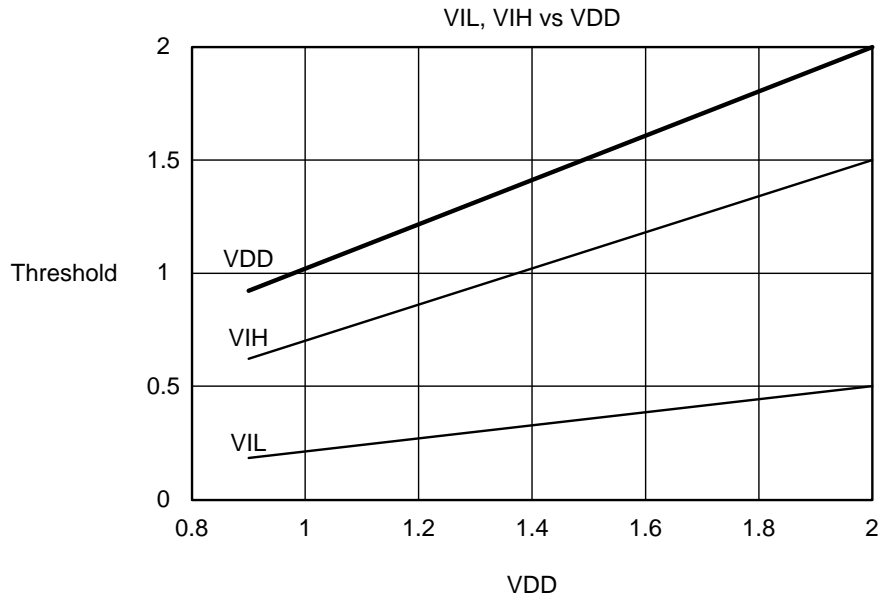


Figure 2. Input level scales with VDD

### 3.2 Pin states

Table 8. Pinout vs Power mode

Pin#	Pin name	Pin type	Pin state		
			Safe mode	Low voltage mode	Active mode
1	DURATION	Analog input	High impedance	High impedance	High impedance
2	PHASE	Digital input	High impedance	High impedance	High impedance
3	START	Digital input	High impedance	pull up	pull up
4	LED	Digital output	High impedance	VSS	43kHz burst or VSS
5	NOUT	Digital output	High impedance	VSS	VSS or VDD
6	VSS	Power ground	Negative supply	Negative supply	Negative supply
7	OUT	Digital input	High impedance	VDD	VSS or VDD
8	VDD	Power positive	Positive supply	Positive supply	Positive supply

## 4 Power Modes

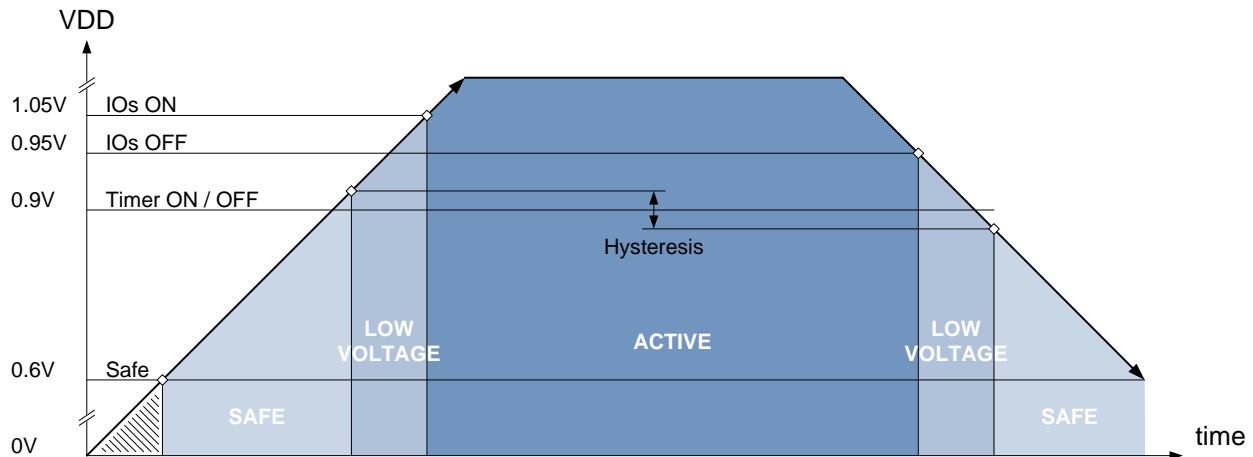


Figure 3. Operating modes vs VDD voltage

### 4.1 Safe mode

The internal system goes in Safe mode as soon as the VDD voltage is above 0.6-0.7V. In this mode all pins are set in high impedance and are inactive. This guarantees a safe start-up.

### 4.2 Low voltage mode

The internal 24h timer and phase detection/synchronization functions are active. All input ( BUTTON, PHASE, DURATION ) pins functionalities remains active but will not activate the outputs.

All outputs are forced to a default static state as follows:

- OUT pin is forced high
- NOUT pin is forced low
- LED pin is low

### 4.3 Active mode

The outputs are active and set according to the device internal states:

- OUT and NOUT pin active (see **“Operating” on page 10**)
- LED pin sending 250ms bursts (see **“LED output” on page 15**)



## 5 System architecture

The system is based on its internal timer to track frequency and to discriminate 50 Hz vs 60 Hz supply. If there is no input on PHASE pin, the system timing will use the internal oscillator (10% precise).

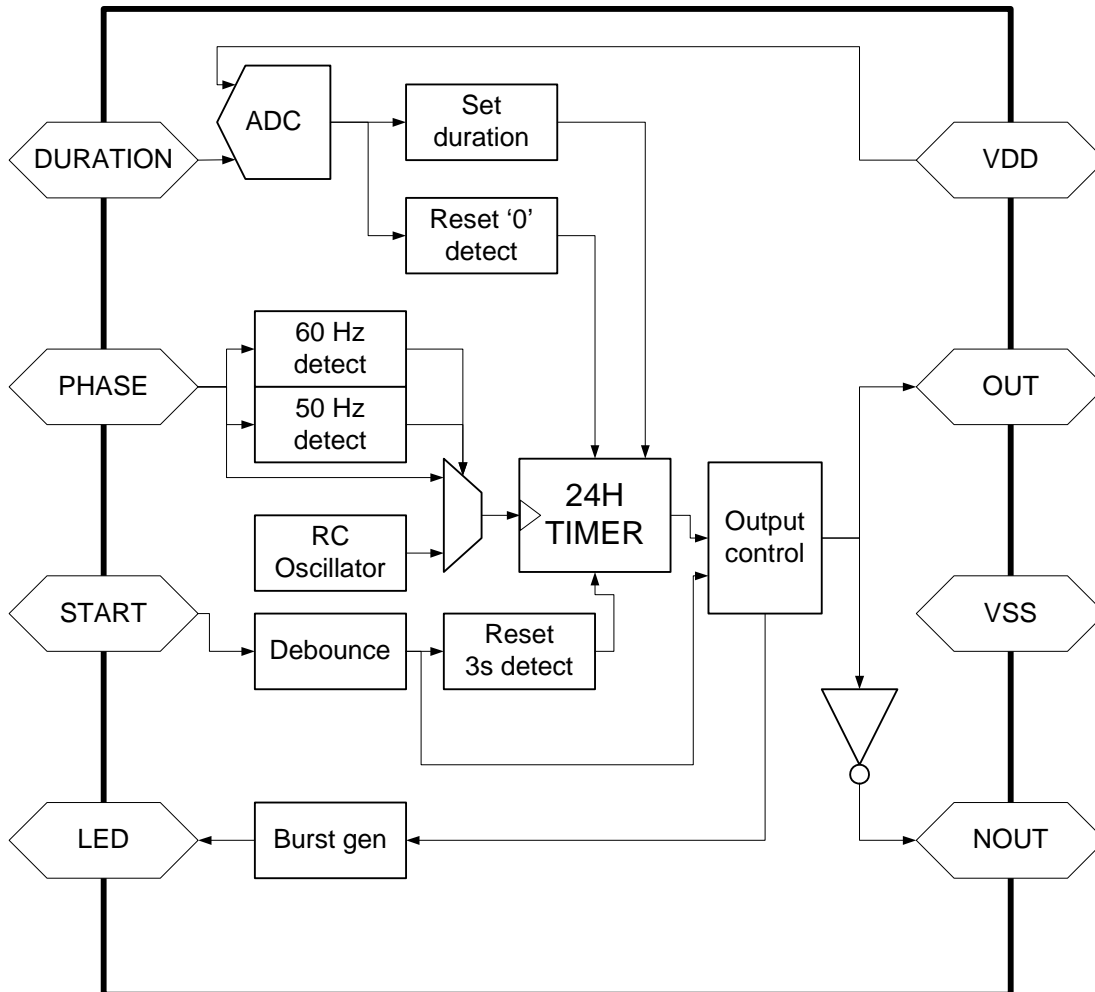


Figure 4. SX8124 Architecture

Once the system is locked on the mains phase, its time precision is given by the mains frequency precision. The period of the output signal on OUT and NOUT is 24 hours. The duty cycle on these pins is equal to the relative voltage on pin DURATION version the voltage on pin VDD. If DURATION is 1/3 of VDD, OUT will be high for 8 hours and down for 16 hours.

Remark that when the OUT state is manually modified using the START pin, this does not influence the internal counter: the OUT (and NOUT) pins will continue to be switched "on" at the end of the 24 hours cycle and "off" after the programmed duty cycle. The LED outputs is a signal indicating the internal chip status (see **10. LED output**).

## 6 24h Timer

### 6.1 Operating

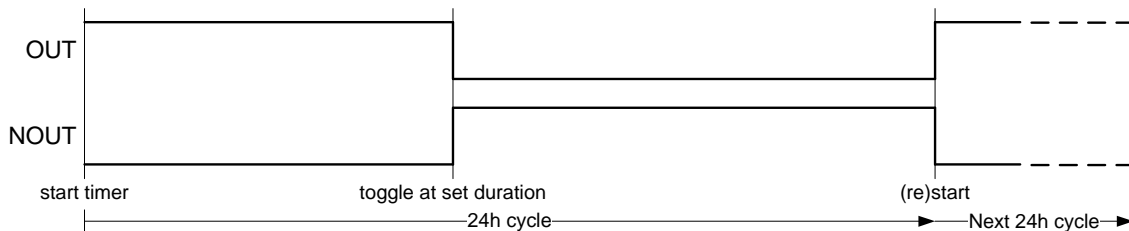


Figure 5. Outputs waveforms during the 24 h cycle

The pin START is used to change the OUT (and NOUT) state. A short pulse (below 1 second) on this pin manually changes the OUT and NOUT state (**Figure 6**). A long pulse (around 3 seconds or more) resets the system and restarts the synchronization of the chip on its PHASE input.

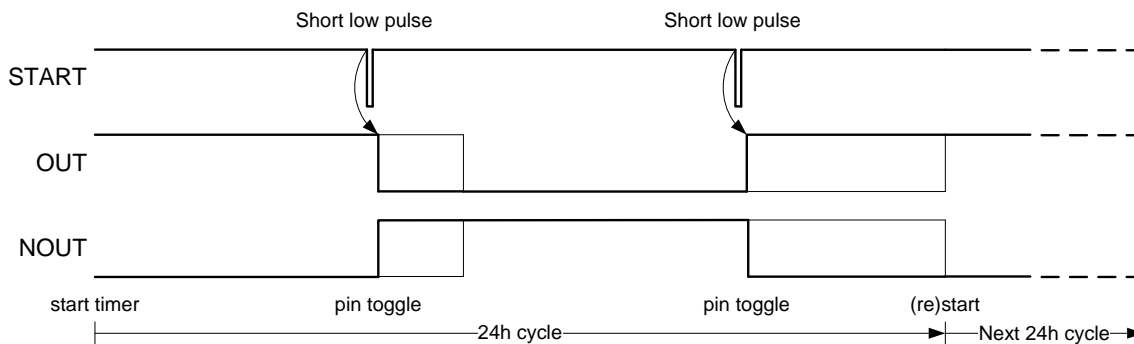


Figure 6. Outputs toggling pushing START pin down during less than 1 second

### 6.2 Debounce on START pin

The START pin is active low. For a start/stop command detection, the voltage on the START pin must be maintained low during 10ms. Then, a delay of 20ms is necessary before the next start/stop command.

This allow to remove wrong start/stop commands due to oscillations when using of low-cost push buttons.

## 7 Setting duration

The measurement of DURATION pin voltage is ratiometric to VDD. The 24h duty cycle on OUT and NOUT pins is equal to the relative voltage on pin DURATION versus the voltage on pin VDD. For example if DURATION is 1/3 of VDD, OUT will be high for 8 hours and down for 16 hours.

The voltage resolution on the DURATION pin is 256, so the OUT and NOUT pin can toggle at each step of  $24\text{H} / 256 = 5.625$  minutes.

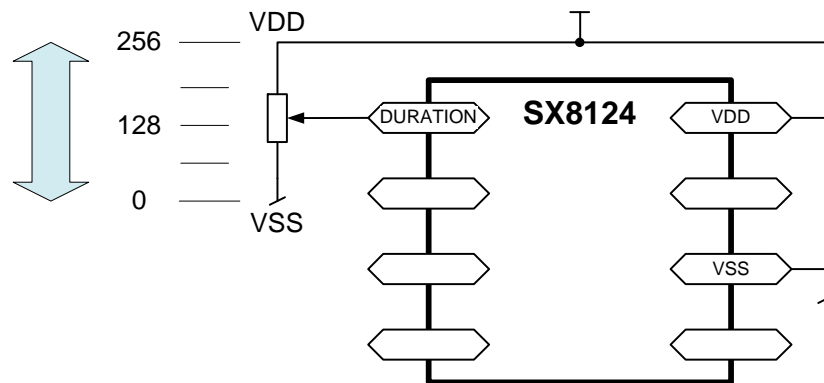


Figure 7. 256 steps resolution on DURATION pin

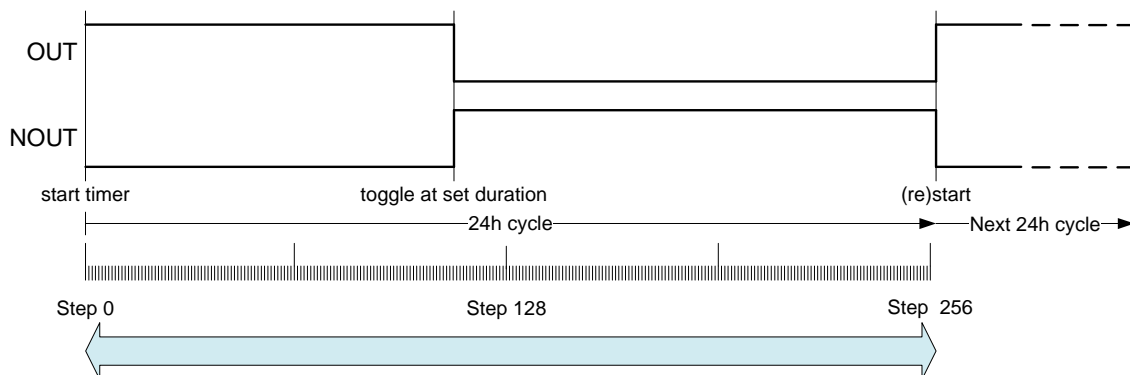


Figure 8. 256 steps on the 24H timer cycle

Steps 0 to 2 on the DURATION pin are reserved for detection of a Reset command with the pin set to ground. The timer can not be set to toggle OUT and NOUT during the 15 first minutes after the start of the 24H cycle. See **“Reset with the DURATION pin” on page 14**.

While the duration is set to '0', the LED pin is not active and set to VSS.

## 8 Timer synchronization on a 50Hz or 60Hz external phase

To avoid timing drifts over the time, the SX8124 can be synchronised on a signal from the mains. The SX8124 permanently checks the duration between two consecutive edges on the PHASE pin.

### 8.1 External phase available for synchronization

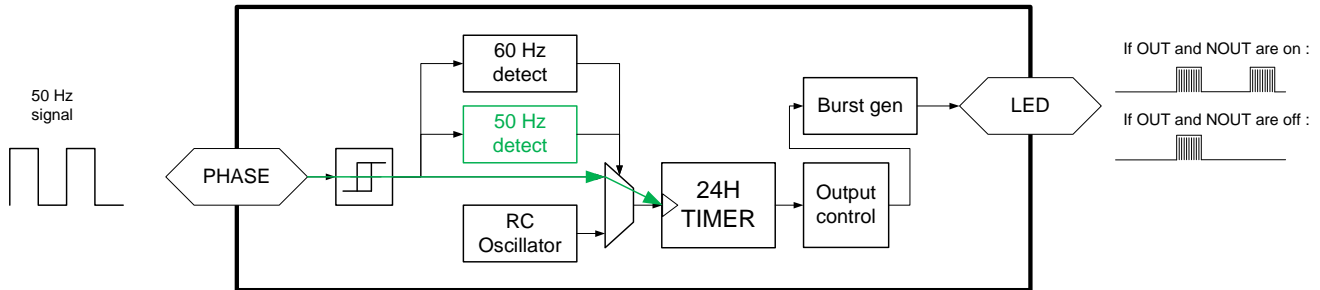


Figure 9. Example: timer synchronized on a 50Hz phase

Please note that for correct phase detection the edges on the PHASE pin must be sharp. A sinus or triangular wave is not recommended.

### 8.2 No phase available for synchronization

If there is no clean 50Hz or 60Hz signal on PHASE pin, the system timing switch on the internal RC oscillator. In this case the timer will be 10% precise. The LED output is sending 2Hz burst to indicate that the timer is not synchronized and counting based on the internal base time.

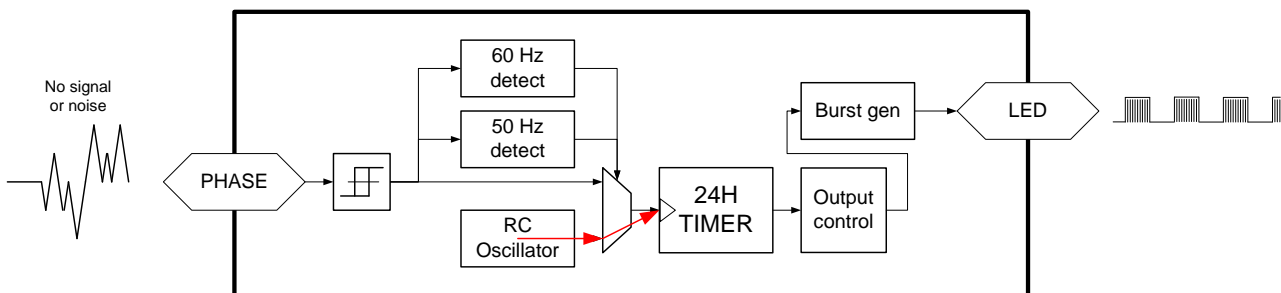


Figure 10. Timer not synchronized on an external phase

The maximum frequency on PHASE pin should not exceed 20kHz. If the signal on this pin has a frequency potentially higher than 20kHz it must be low pass filtered with a capacitor.

## 9 Timer reset

### 9.1 Reset with the START pin

A button can be connected between the BUTTON pin and VSS. Holding START down during 3 seconds or more resets the 24 hours timer and the system.

Pressing shortly the button changes the output state without modifying the internal counter.

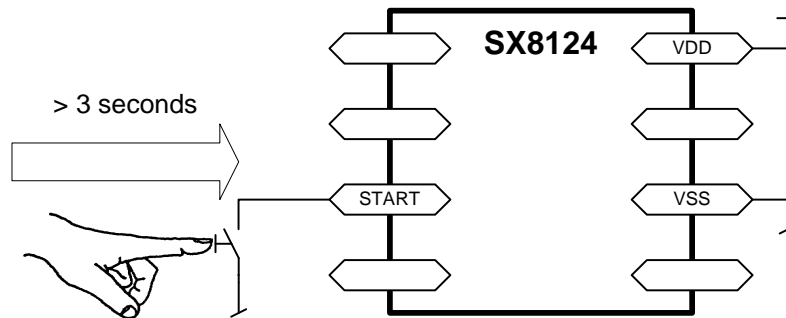


Figure 11. Timer reset with the START button

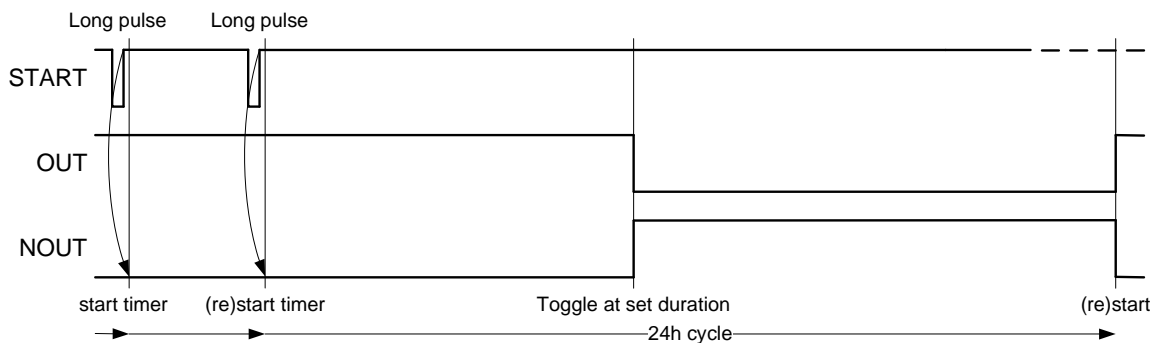


Figure 12. Manual reset holding START pin down during 3 seconds or more

**9.2 Reset with the DURATION pin**

Moving the DURATION voltage to 0V and then moving it back to the desired duration will reset the 24 hours timer. This can be done either with a switch in parallel with the DURATION resistive divider or if this divider is made with a potentiometer by turning this potentiometer to 0 leaving it there for a few seconds and then bring it back to the desired position.

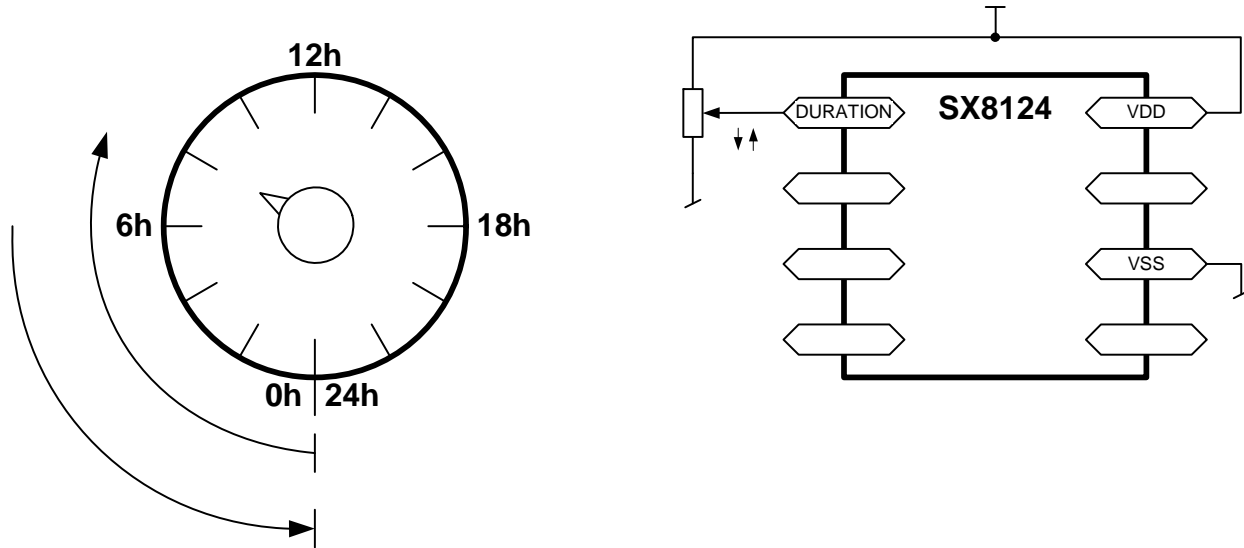


Figure 13. Timer reset by pushing DURATION pin to ground

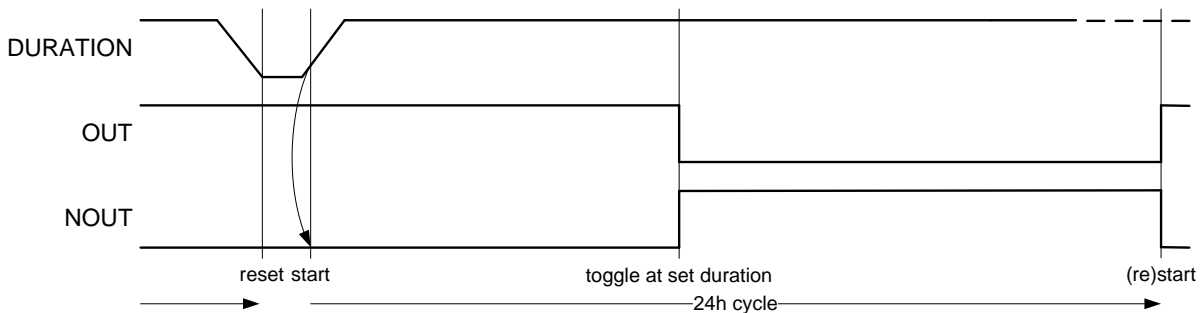


Figure 14. Manual reset moving DURATION pin voltage down to 0V

The voltage on DURATION pin remains ratiometric to VDD while VDD is below 1.8V.

Additionally, if the voltage on DURATION pin exceeds |1.8V| the timer is reinitialized.

## 10 LED output

The LED output is used to indicate the status of the internal system. The LED signal is made of bursts of 4 us pulses with a period of 30 us and total duration of 250 ms. This makes possible to activate a LED even at very low voltage.

- To indicate that OUT is high, the LED sends two bursts separated by 500 ms every 5 seconds.
- To indicate that OUT is low, the LED send one burst every 5 seconds.
- To indicate that the system is not synchronized (no PHASE detected, or frequency measured on PHASE outside 50-60 Hz, at start-up or after a manual reset), the LED continuously sends bursts separated by 250 ms.

### 10.1 Synchronized on phase, outputs ON

When synchronized, the LED indicates the OUT pin status. The first pulse occurs 5 seconds after a POR, timer startup or timer reset,

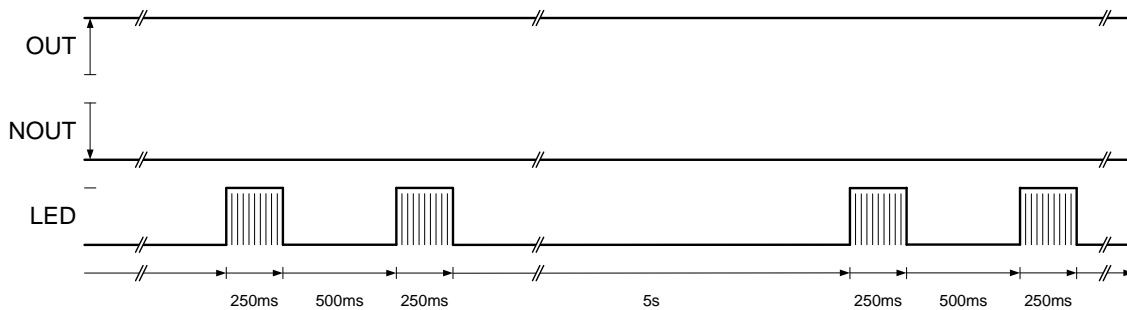


Figure 15. Dual pulse

### 10.2 Synchronized on phase, outputs OFF

The first pulse occurs 5 seconds after a POR, timer startup or timer reset,

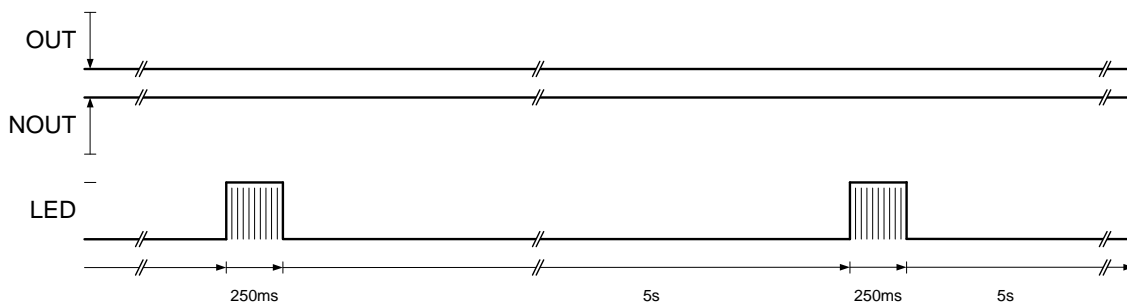
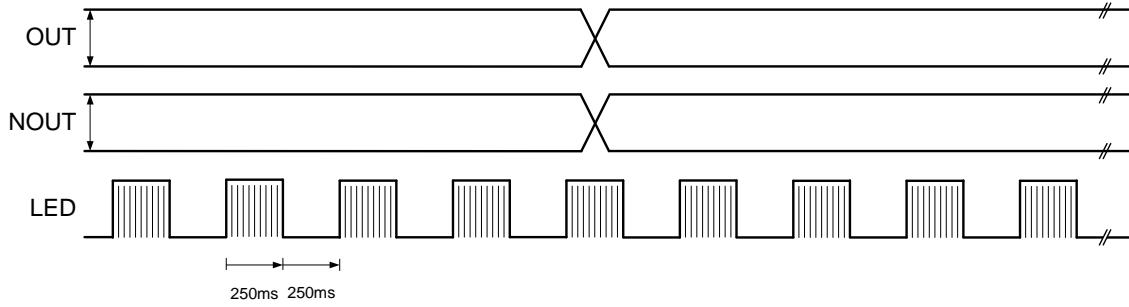


Figure 16. Single pulse

**10.3 Not synchronized on phase**



*Figure 17. Continuous pulses*



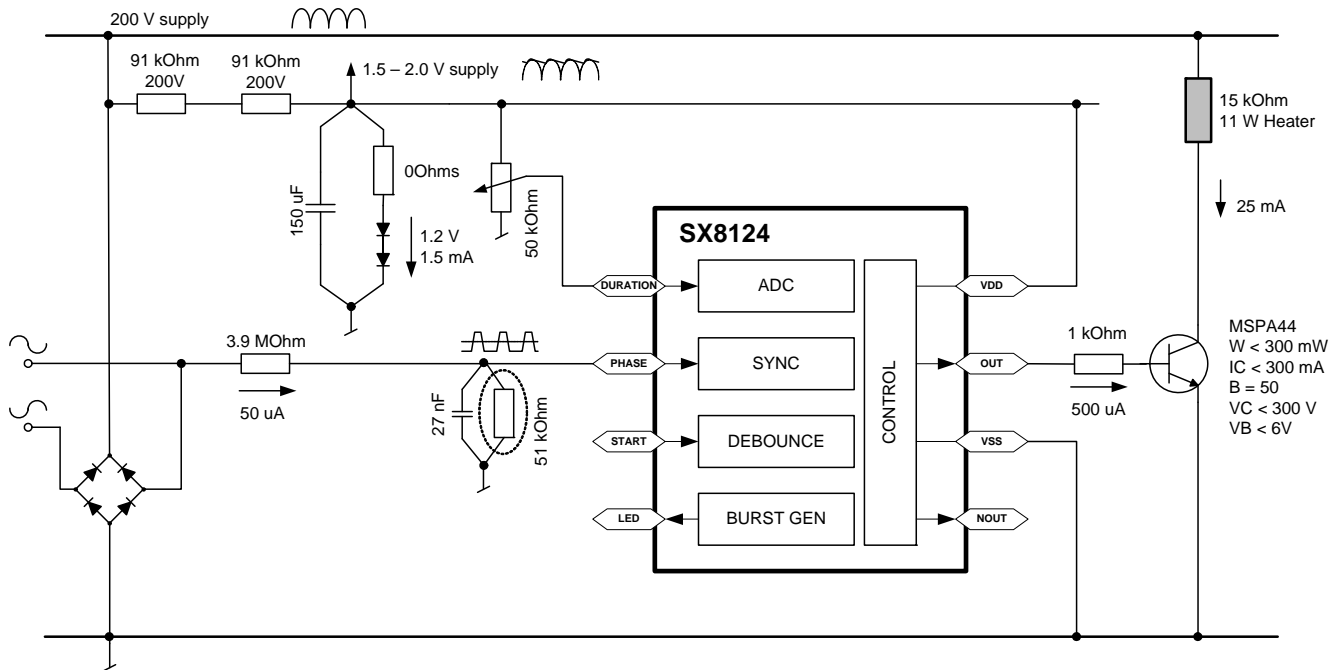
**APPLICATION EXAMPLES**
**11 Complete application schematics**


Figure 18. Application schematics with low-power sleep mode (below 0.3 W)

The circuit can be directly powered from the mains through a diode bridge and a resistor as long as the supply voltage is limited at  $\sim 1.2\text{V}$  by diodes or similar devices. The choice of the resistor that limits the supply current must be made so that it delivers enough current for the system to supply the IC and any other device that is connected to that supply, but the resistor must be large enough to limit the current in sleep mode (120 kOhm will limit power dissipation below 0.3W on a 220V network).

The RC filter on the power supply is there to reject 100 Hz or 120 Hz variations.

The phase detector is used to increase the precision on the 24 hours counter. It is recommended to protect the pin with external diodes. The filter on the phase detector is there to reject high frequency perturbations (several kHz) but must let the 50 Hz or 60 Hz go through with limited attenuation.

The timer element is a potentiometer. The total resistivity of the potentiometer must be low enough to avoid sensitivity to the DURATION pin impedance ( $> 500\text{ kOhm}$ ) and high enough to limit current drift current. The voltage applied on the potentiometer is 1/100 of the voltage applied on the resistor that protects the supply voltage of the chip, therefore the current through these resistors will be in the same ratio if they have the same value.

The power element (either a resistive heater for a diffuser or a motor for a ventilator) will be controlled through an NPN transistor.

**11.1 LED boosters**

The chip sends bursts to trigger the LED. If the LED is supplied by the regulated voltage VDD it is expected to be connected to a transistor and in parallel with a coil to get enough voltage to light.

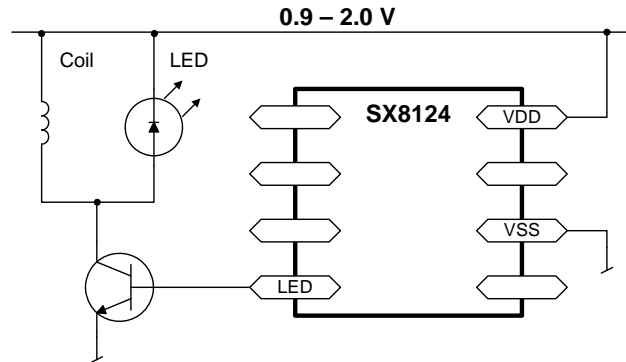


Figure 19. Booster for red LED

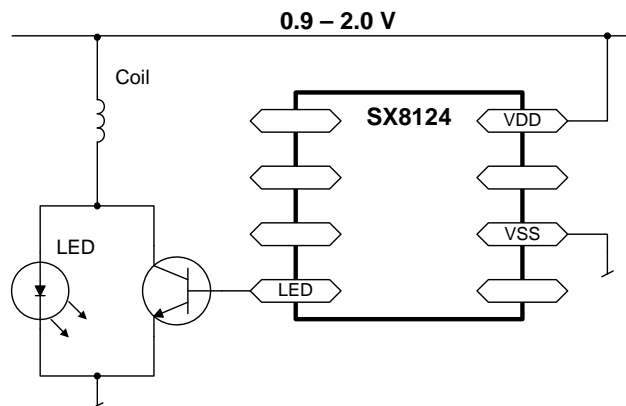


Figure 20. Booster for white/blue LED

**11.2 Low cost LED output**

The schematic on **Figure 21** below shows a LED driving without the usage of a coil to drive the LED, and also reduce the costs of the BOM. The  $R_{lim}$ ,  $R_b$  resistors and the transistor  $h_{fe}$  must be carefully choosed according to the LED and mains voltage.

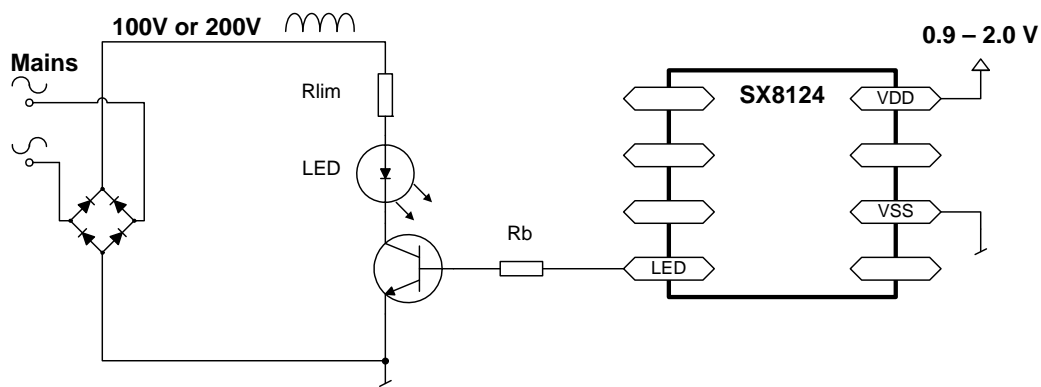
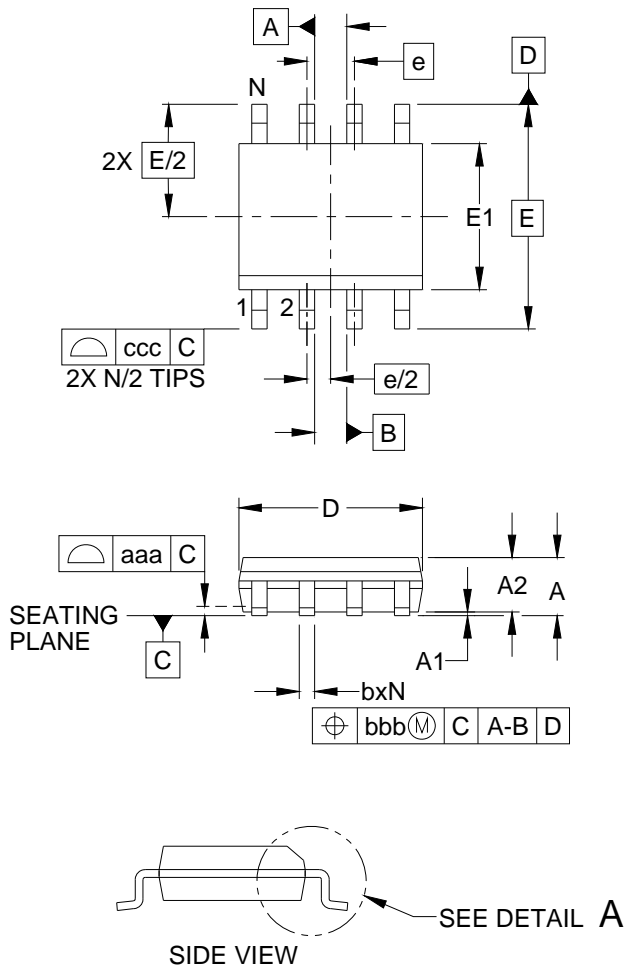
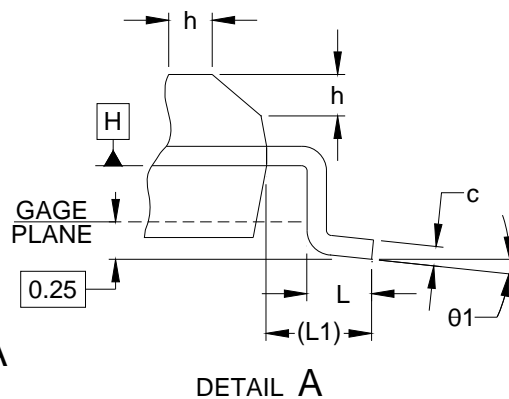


Figure 21. LED supplied by the mains

**MECHANICAL SPECIFICATION**
**12 Packages**
**12.1 SOIC-8**
**12.1.1 Outline drawing**


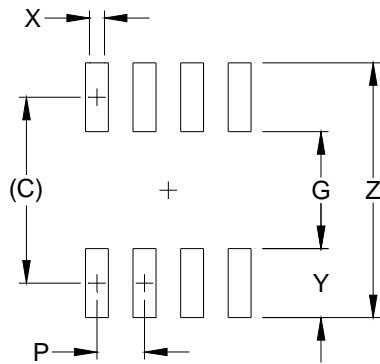
DIM	INCHES			MILLIMETERS		
	MIN	NOM	MAX	MIN	NOM	MAX
A	.053	-	.069	1.35	-	1.75
A1	.004	-	.010	0.10	-	0.25
A2	.049	-	.065	1.25	-	1.65
b	.012	-	.020	0.31	-	0.51
c	.007	-	.010	0.17	-	0.25
D	.189	.193	.197	4.80	4.90	5.00
E1	.150	.154	.157	3.80	3.90	4.00
E	.236 BSC			6.00 BSC		
e	.050 BSC			1.27 BSC		
h	.010	-	.020	0.25	-	0.50
L	.016	.028	.041	0.40	0.72	1.04
L1	(.041)			(1.04)		
N	8			8		
θ1	0°	-	8°	0°	-	8°
aaa	.004			0.10		
bbb	.010			0.25		
ccc	.008			0.20		


**NOTES:**

1. CONTROLLING DIMENSIONS ARE IN MILLIMETERS (ANGLES IN DEGREES).
2. DATUMS **-A-** AND **-B-** TO BE DETERMINED AT DATUM PLANE **-H-**
3. DIMENSIONS "E1" AND "D" DO NOT INCLUDE MOLD FLASH, PROTRUSIONS OR GATE BURRS.
4. REFERENCE JEDEC STD MS-012, VARIATION AA.

**12.1.2 Land pattern**

This land pattern is for reference purposes only. Consult your manufacturing group to ensure your company's manufacturing guidelines are met.



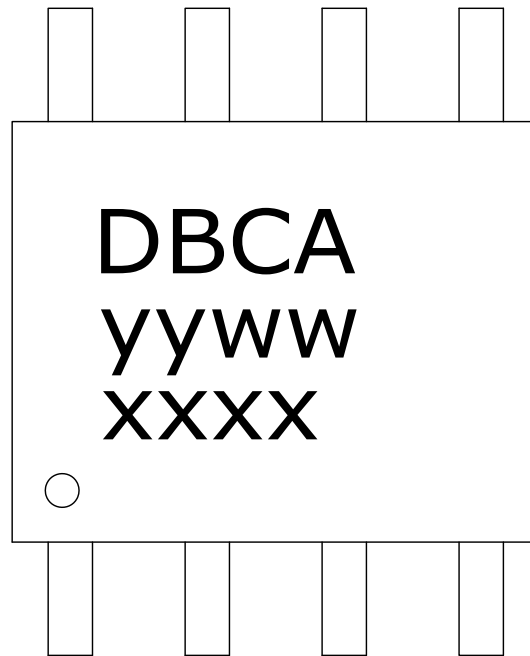
DIMENSIONS		
DIM	INCHES	MILLIMETERS
C	(.205)	(5.20)
G	.118	3.00
P	.050	1.27
X	.024	0.60
Y	.087	2.20
Z	.291	7.40

**NOTES:**

1. THIS LAND PATTERN IS FOR REFERENCE PURPOSES ONLY. CONSULT YOUR MANUFACTURING GROUP TO ENSURE YOUR COMPANY'S MANUFACTURING GUIDELINES ARE MET.
2. REFERENCE IPC-SM-782A, RLP NO. 300A.

**12.1.3 Marking information**

## Top Mark



TOP MARK	
CHAR	ROWS
7/7/5	3

Marking for the SOIC 8 Lead package:

nnnn = Part Number (Example : DBCA)

yyww = Date Code (Example : 1012)

xxxx = Semtech Lot No. (Example : E9010)

© Semtech 2010

All rights reserved. Reproduction in whole or in part is prohibited without the prior written consent of the copyright owner. The information presented in this document does not form part of any quotation or contract, is believed to be accurate and reliable and may be changed without notice. No liability will be accepted by the publisher for any consequence of its use. Publication thereof does not convey nor imply any license under patent or other industrial or intellectual property rights. Semtech assumes no responsibility or liability whatsoever for any failure or unexpected operation resulting from misuse, neglect improper installation, repair or improper handling or unusual physical or electrical stress including, but not limited to, exposure to parameters beyond the specified maximum ratings or operation outside the specified range.

SEMTECH PRODUCTS ARE NOT DESIGNED, INTENDED, AUTHORIZED OR WARRANTED TO BE SUITABLE FOR USE IN LIFE-SUPPORT APPLICATIONS, DEVICES OR SYSTEMS OR OTHER CRITICAL APPLICATIONS. INCLUSION OF SEMTECH PRODUCTS IN SUCH APPLICATIONS IS UNDERSTOOD TO BE UNDERTAKEN SOLELY AT THE CUSTOMER'S OWN RISK. Should a customer purchase or use Semtech products for any such unauthorized application, the customer shall indemnify and hold Semtech and its officers, employees, subsidiaries, affiliates, and distributors harmless against all claims, costs damages and attorney fees which could arise.

Notice: All referenced brands, product names, service names and trademarks are the property of their respective owners.

### Contact information

#### Semtech Corporation Advanced Communications & Sensing Products

E-mail: [sales@semtech.com](mailto:sales@semtech.com) or [acsupport@semtech.com](mailto:acsupport@semtech.com)  
Internet: <http://www.semtech.com>

**USA**

200 Flynn Road, Camarillo, CA 93012-8790.  
Tel: +1 805 498 2111 Fax: +1 805 498 3804

**FAR EAST**

12F, No. 89 Sec. 5, Nanking E. Road, Taipei, 105, TWN, R.O.C.  
Tel: +886 2 2748 3380 Fax: +886 2 2748 3390

**EUROPE**

Semtech Ltd., Units 2 & 3, Park Court, Premier Way, Abbey Park Industrial Estate, Romsey, Hampshire, SO51 9DN.  
Tel: +44 (0)1794 527 600 Fax: +44 (0)1794 527 601