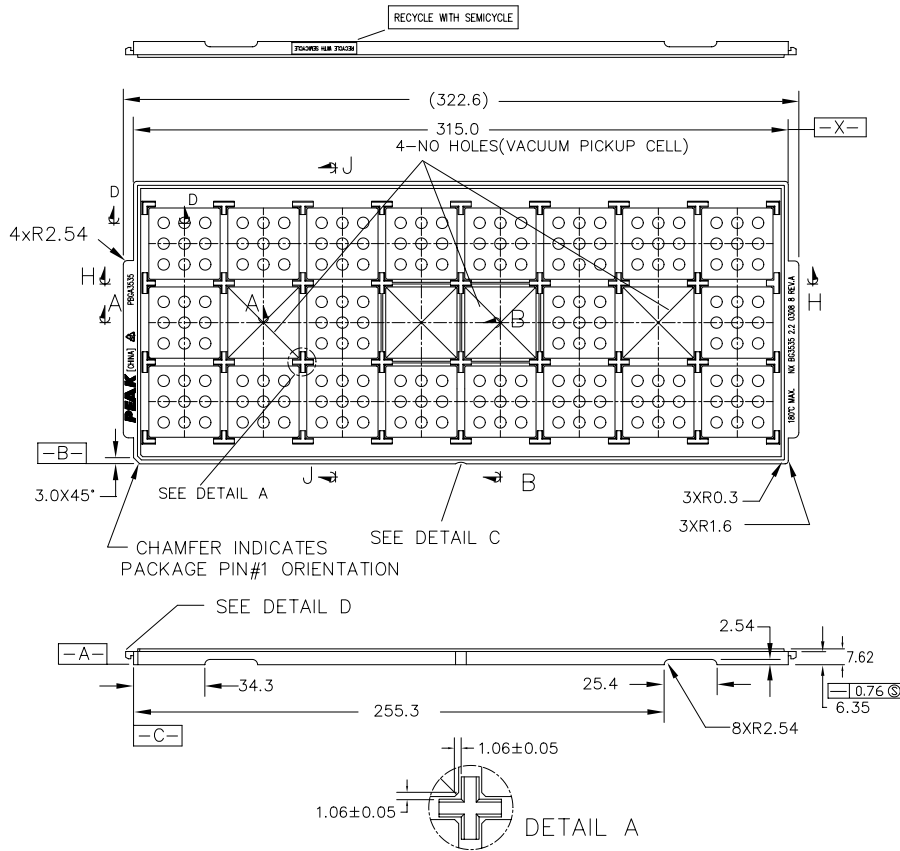
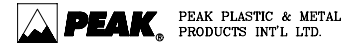


PEAK



- NOTES :
1. MATERIAL - PP8.
 2. ALL DIMENSIONS ARE IN MILLIMETERS.
 3. TOLERANCES - X.X=±0.25
- X.XX=±0.13
UNLESS OTHERWISE SPECIFIED.
 4. ESD - SURFACE RESISTIVITY
- 10^5 TO 10^{11} OHMS/SQ.
 5. FOR PACKAGE - PBGA
 6. PART NO. : NX BG3535 2.2 0308 8 REV.A
(PLEASE INDICATE ON PURCHASE ORDER).



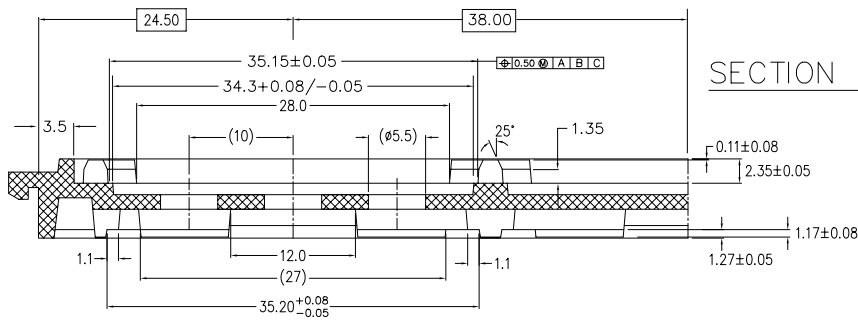
REV.NO.	ECN #	DESCRIPTION	DATE
12	P-01053	ADD 2 HOLES AT THE BOTTOM OF THE TRAY IN DIRECTION	14 MAY 01
11	P-00806	CHANGE SURFACE RESISTIVITY	2 FEB 99
10	P-00662	CHANGE POSITION TOL	18 OCT 97
9	P-00592	CHANGE DIMS	18 MAR 97
8	P-00569	CHANGE BOTTOM FENCE DIM IN DRAWING	8 JUL 96
7	P-00558	ADD IN MATERIAL PP6	17 OCT 95

THIS DOCUMENT CONTAINS INFORMATION PROPRIETARY TO PEAK PLASTIC & METAL PRODUCTS INTERNATIONAL LIMITED. REPRODUCTION, DISCLOSURE OR USE OF THIS DOCUMENT IS EXPRESSLY PROHIBITED EXCEPT IF OTHERWISE AGREED UPON IN WRITING.

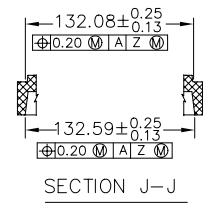
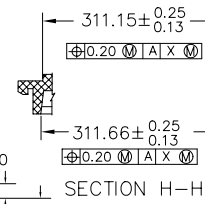
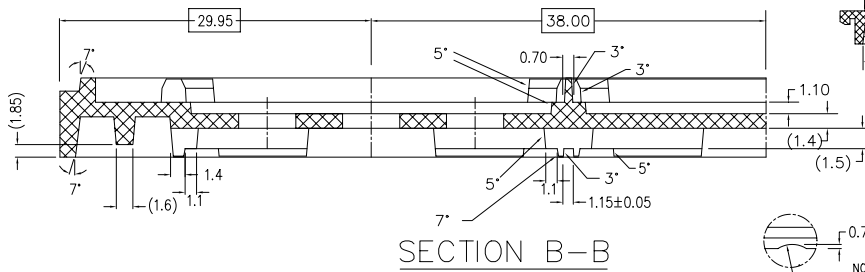
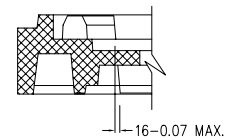
DRAWN BY :	Wang	PAGE	1 OF 2
CHECKED BY :		DATE :	14 MAY 01
APPROVED BY :		DATE :	14 MAY 01
DO NOT SCALE DRAWING		CODE :	CSA00688

CUSTOMER :	PEAK
TITLE :	NX BG3535 2.2 0308 8 REV.A
DWG NO.:	NX BG3535 2.2 0308 8 REV.A
REV.	12

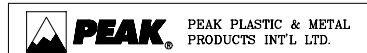
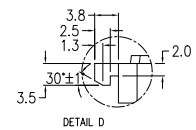
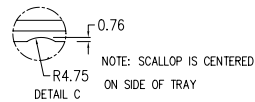
PEAK



SECTION D-D



SECTION B-B



REV.NO.	ECN #	DESCRIPTION	DATE
12	P-01053	ADD 2 RIBS AT THE BOTTOM OF THE TRAY IN DIRECTION	14 MAY 01
11	P-00806	CHANGE SURFACE RESISTIVITY	2 FEB 99
10	P-00662	CHANGE POSITION TOL	18 OCT 97
9	P-00592	CHANGE DIMS	18 MAR 97
8	P-00569	CHANGE BOTTOM FENCE DIM IN DRAWING	8 JUL 96
7	P-00558	ADD IN MATERIAL PP6	17 OCT 95

THIS DOCUMENT CONTAINS INFORMATION PROPRIETARY TO PEAK PLASTIC & METAL PRODUCTS INTERNATIONAL LIMITED. REPRODUCTION, DISCLOSURE OR USE OF THIS DOCUMENT IS EXPRESSLY PROHIBITED EXCEPT IF OTHERWISE AGREED UPON IN WRITING.

DRAWN BY :	Wang	PAGE	2 OF 2
CHECKED BY :		DATE :	14 MAY 01
APPROVED BY :		DATE :	14 MAY 01
DO NOT SCALE DRAWING		CODE :	CSA00688

CUSTOMER :	PEAK
TITLE :	NX BG3535 2.2 0308 8 REV.A
DWG NO.:	NX BG3535 2.2 0308 8 REV.A
REV.	12