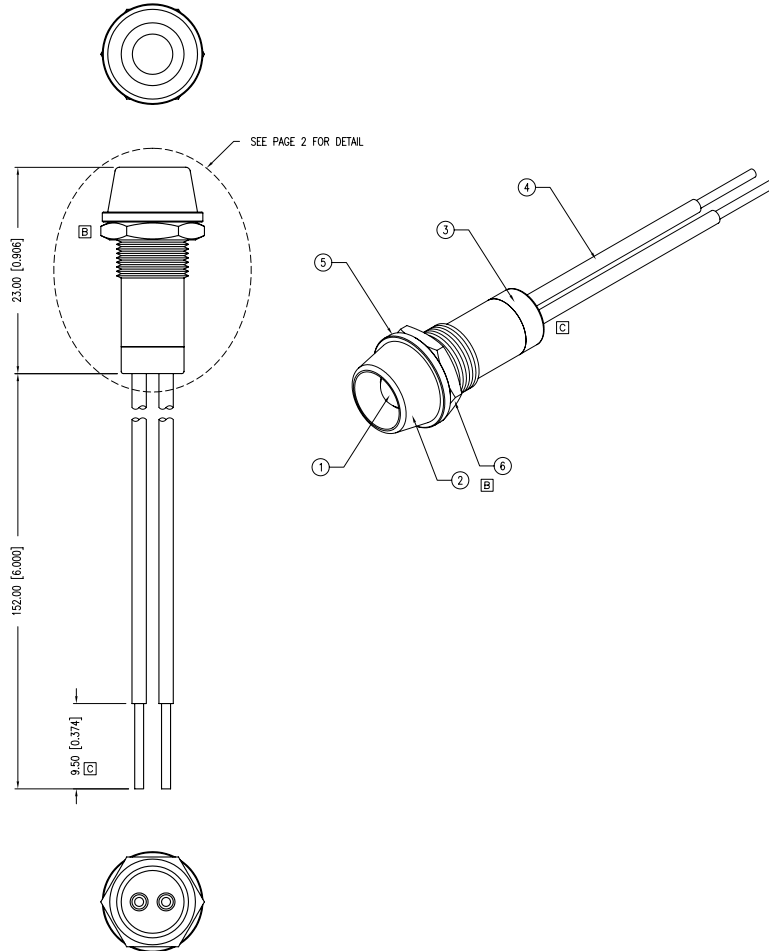


UNCONTROLLED DOCUMENT

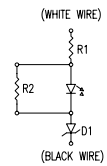
PART NUMBER	SSI-LXR9126SGD110V	REV.	C
DATE	E.C.N. NUMBER AND REVISION COMMENTS		REV.
11.15.11	E.C.N. #11769.		A
12.05.11	E.C.N. #11775.		B
01.04.12	E.C.N. #11793.		C



[A] ELECTRO-OPTICAL CHARACTERISTICS $T_a=25^{\circ}\text{C}$ $V_f=120\text{VAC}$

PARAMETER	MIN	TYP	MAX	UNITS	TEST COND
PEAK WAVELENGTH		574		nm	
FORWARD VOLTAGE		120		Vf	VAC
AXIAL INTENSITY		60		mcd	$V_f=120\text{VAC}$
VIEWING ANGLE		60		$2x$ theta	
OPERATING TEMP.	-40		+85	$^{\circ}\text{C}$	
STORAGE TEMP.	-40		+85	$^{\circ}\text{C}$	
EMITTED COLOR:	GREEN				
EPOXY LENS FINISH:	GREEN DIFFUSED				

- [C] [B] NOTES:
1. SSL-LX5093SUGD.
 2. SSI-LXR9126.
 3. NYLON UL94V0 BUSHING.
 4. 18AWG UL1015 STRANDED WIRE (WHITE & BLACK).
 5. LXP-LX9126-WASHER.
 6. LXP-LX9126-NUT.



*UNLESS OTHERWISE SPECIFIED TOLERANCES PER DECIMAL PRECISION ARE: X=±1 (±0.039), X.X=±0.5 (±0.020), X.XX=±0.25 (±0.010), X.XXX=±0.127 (±0.005). LEAD SIZE=±0.05 (±0.002), LEAD LENGTH=±0.75 (±0.030). MIN.=^{+DECIMAL PRECISION}_{-0.00} MAX.=^{+0.00}_{-DECIMAL PRECISION} UNCONTROLLED DOCUMENT

LUMEX
 Creating LED and LCD Solutions Together™

290 E. HELEN ROAD
 PALATINE, IL 60067-6976
 PHONE: +1.847.359.2790
 FAX: +1.847.359.6538
 WEB: WWW.LUMEX.COM

T5mm 574nm SUPER ULTRA GREEN LED PANEL INDICATOR, GREEN DIFFUSED, 120VAC, 6" WIRE LEADS, CONNECTOR.

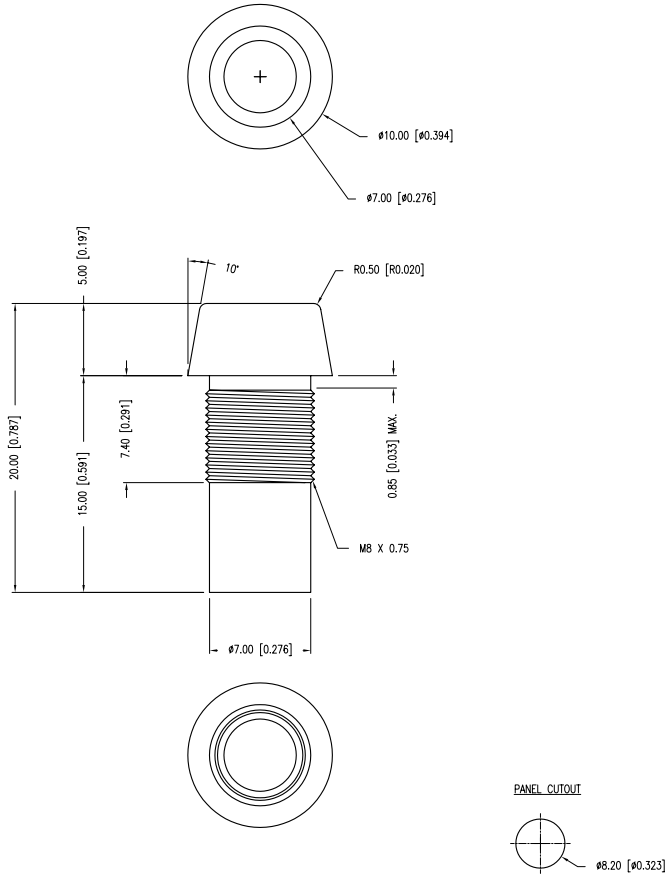
THE SPECIFICATIONS MAY CHANGE AT ANY TIME WITHOUT NOTICE DUE TO NEW MATERIALS OR PRODUCT IMPROVEMENT.

CONFIDENTIAL INFORMATION
 THE INFORMATION CONTAINED IN THIS DOCUMENT IS THE PROPERTY OF LUMEX INC. EXCEPT AS SPECIFICALLY AUTHORIZED IN WRITING BY LUMEX INC., THE HOLDER OF THIS DOCUMENT SHALL KEEP ALL INFORMATION CONTAINED HEREIN CONFIDENTIAL AND SHALL PROTECT SAME IN WHOLE OR IN PART FROM DISCLOSURE AND DISSEMINATION TO ALL THIRD PARTIES.

DATE:	09.19.11	DRAWN BY:	AB
PAGE:	1 OF 2	CHKD BY:	SS
SCALE:	NTS	APRVD BY:	JD
UNIT:	mm [INCH]		Ⓢ

UNCONTROLLED DOCUMENT

PART NUMBER	SSI-LXR9126SGD110V	REV.	C
DATE	E.C.N. NUMBER AND REVISION COMMENTS		REV.
11.15.11	E.C.N. #11769.		A
12.05.11	E.C.N. #11775.		B
01.04.12	E.C.N. #11793.		C



*UNLESS OTHERWISE SPECIFIED TOLERANCES PER DECIMAL PRECISION ARE: X=±1 (±0.039), XX=±0.5 (±0.020), XXX=±0.25 (±0.010), XXXX=±0.127 (±0.005). LEAD SIZE=±0.05 (±0.002), LEAD LENGTH=±0.75 (±0.030). MIN.=^{+0.00}/_{-0.00} DECIMAL PRECISION MAX.=^{+0.00}/_{-0.00} DECIMAL PRECISION UNCONTROLLED DOCUMENT



290 E. HELEN ROAD
PALATINE, IL 60067-6976
PHONE: +1.847.359.2790
FAX: +1.847.359.6538
WEB: WWW.LUMEX.COM

T5mm 574nm SUPER ULTRA GREEN LED PANEL INDICATOR, GREEN DIFFUSED, 120VAC, 6" WIRE LEADS, CONNECTOR.
THE SPECIFICATIONS MAY CHANGE AT ANY TIME WITHOUT NOTICE DUE TO NEW MATERIALS OR PRODUCT IMPROVEMENT.
CONFIDENTIAL INFORMATION
THE INFORMATION CONTAINED IN THIS DOCUMENT IS THE PROPERTY OF LUMEX INC. EXCEPT AS SPECIFICALLY AUTHORIZED IN WRITING BY LUMEX INC., THE HOLDER OF THIS DOCUMENT SHALL KEEP ALL INFORMATION CONTAINED HEREIN CONFIDENTIAL AND SHALL PROTECT SAME IN WHOLE OR IN PART FROM DISCLOSURE AND DISSEMINATION TO ALL THIRD PARTIES.

DATE:	09.19.11	DRAWN BY:	AB
PAGE:	2 OF 2	CHKD BY:	SS
SCALE:	NTS	APRVD BY:	JD
UNIT:	mm [INCH]		Ⓝ