

Features

- Up to 30MHz operation
- Fundamental oscillation
- Capacitors 8pF C_G and 10pF C_D built-in (except A2A, A4A series)
- Inverter amplifier feedback resistor built-in
- TTL input level
- 8 mA (V_{DD} = 4.5 V) drive capability
- 4 mA (V_{DD} = 2.7 V) drive capability
- Output three-state function
- 2.7 to 5.5 V supply voltage (AxA series)
- 4.5 to 5.5 V supply voltage (BxA series)
- Clock output (f_O, f_O/2, f_O/4, f_O/8 determined by internal connection, f_O is oscillator frequency)
- 6-Pin SOT23 package

Application

Used for crystal oscillate

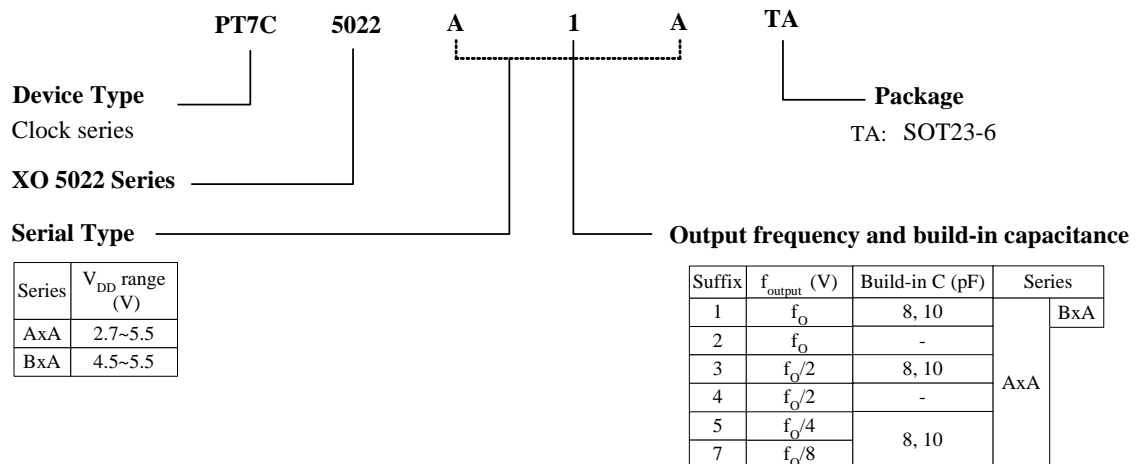
Description

The PT7C5022 series are crystal oscillator module ICs that incorporate high-frequency, low current consumption oscillator and output buffer circuits. Feedback resistors and high-frequency capacitors are built-in, eliminating the need for external components to make a stable fundamental-harmonic oscillator.

Ordering Information

Part No.	Package	Operating Range
PT7C5022AxATA	SOT23-6	Industrial
PT7C5022AxATAE	Lead free SOT23-6	Industrial
PT7C5022BxATA	SOT23-6	Industrial
PT7C5022BxATAE	Lead free SOT23-6	Industrial

Note: Below is the detailed definition of part no.

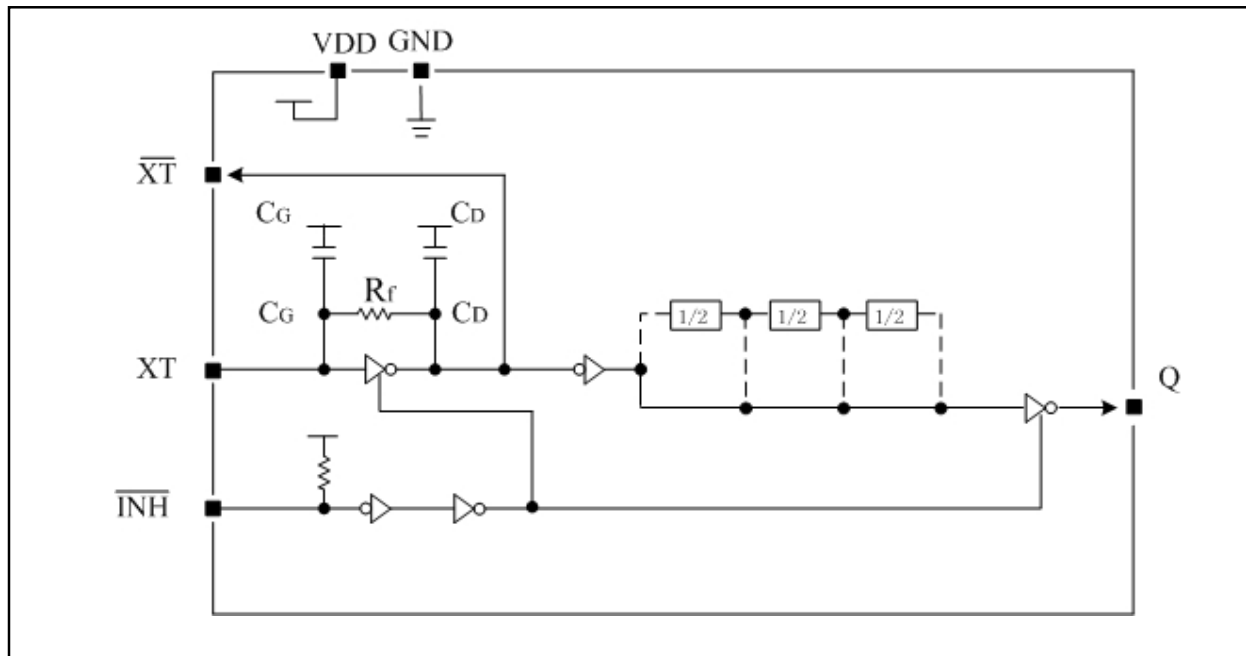


Series configuration

Series	Part No.	Output freq.	Built-in capacitance (pF)		Recommended operating freq. (MHz)		V _{DD} (V)	Output level	Standby output state
			C _G	C _D	3V V _{DD}	5V V _{DD}			
AxA	PT7C5022A1A	f _o	8	10	4~24	4~30	2.7 ~ 5.5	CMOS	High impedance
	PT7C5022A2A	f _o	-	-					
	PT7C5022A3A	f _o /2	8	10	4~30	4~30			
	PT7C5022A4A	f _o /2	-	-					
	PT7C5022A5A	f _o /4	8	10					
	PT7C5022A7A	f _o /8							
BxA	PT7C5022B1A	f _o	8	10	-	4~30	4.5 ~ 5.5	TTL	

g_m ratio is 1; feedback resistor R_f is 600Ω.

Block Diagram



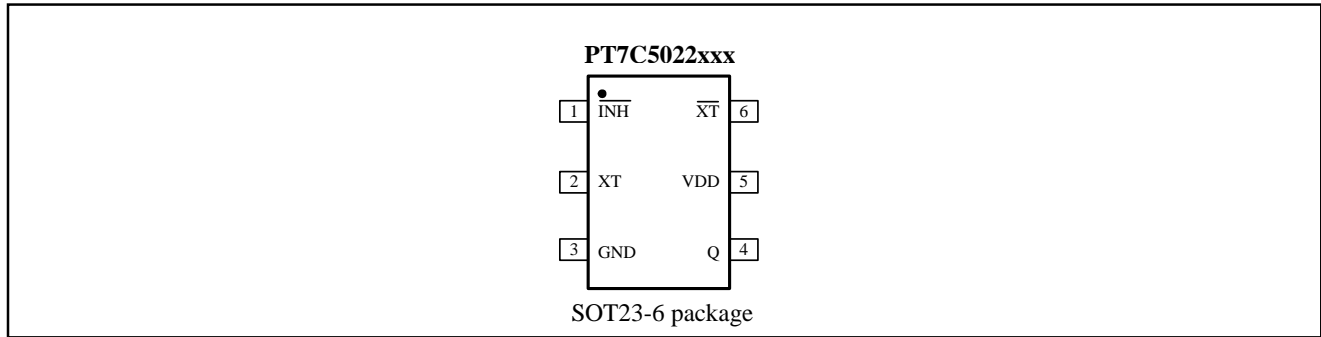
Function Description

When \overline{INH} goes LOW, the output on Q becomes high impedance

INH	Q	Oscillator
HIGH (or open)	Any f _o , f _o /2, f _o /4, f _o /8 output frequency	Normal operation
Low	High impedance	Stopped

Pin Information

Pin Configuration



Pin Description

Pin	Sym	Type	Description
1	$\overline{\text{INH}}$	I	Output state control input. High impedance when LOW. Pull-up resistor built in.
2	XT	I	Amplifier input. Crystal oscillator connected between XT and $\overline{\text{XT}}$.
3	GND	P	Ground.
4	Q	O	Output. Output frequency (f_0 , $f_0/2$, $f_0/4$, $f_0/8$) determined by internal connection, f_0 is oscillator frequency.
5	V_{DD}	P	Supply voltage.
6	$\overline{\text{XT}}$	O	Amplifier output. Crystal oscillator connected between XT and $\overline{\text{XT}}$.

Maximum Ratings

Storage Temperature (die form)	-65°C to +150°C
Storage Temperature (package form)	-55°C to +125°C
Ambient Temperature with Power Applied.....	-40°C to +85°C
Supply Voltage to Ground Potential (V _{DD} to GND	-0.5V to 7.0V
DC Input (All Other Inputs except V _{DD} & GND) ..	-0.5V to V _{DD} +0.5V
DC Output Current.....	13mA
Power Dissipation.....	250mW (package form)

Note:

Stresses greater than those listed under MAXIMUM RATINGS may cause permanent damage to the device. This is a stress rating only and functional operation of the device at these or any other conditions above those indicated in the operational sections of this specification is not implied. Exposure to absolute maximum rating conditions for extended periods may affect reliability.

Recommended Operating Conditions

3 V operation: AxA series
 $f \leq 30\text{MHz}$, $C_L \leq 15\text{pF}$

Parameter	Sym	Conditions	Min	Typ	Max	Unit
Supply voltage	V _{DD}	-	2.7	-	3.6	V
Input voltage	V _{IN}	-	GND	-	V _{DD}	V
Operating temperature	T _{OPR}	-	-20	-	80	°C

5 V operation: AxA series, BxA series
 $f \leq 30\text{MHz}$, $C_L \leq 15\text{pF}$

Parameter	Sym	Conditions	Min	Typ	Max	Unit
Supply voltage	V _{DD}	-	4.5	-	5.5	V
Input voltage	V _{IN}	-	GND	-	V _{DD}	V
Operating temperature	T _{OPR}	-	-20	-	80	°C

DC Electrical Characteristics

3V operation: AxA series

$V_{DD} = 2.7$ to $3.6V$, $T_A = -20$ to $80^\circ C$, unless otherwise noted.

Sym.	Parameter	Condition		Min	Typ	Max	Unit
I_{DD}	Current consumption	INH = open, Measurement cct 3, load cct 1, $C_L = 15$ pF, 30 MHz crystal oscillator		-	4	7	mA
V_{IH}	High level input voltage	INH pin		2.0	-	-	V
V_{IL}	Low level input voltage	INH pin		-	-	0.5	V
R_{UP}	INH pull-up resistance	Measurement cct 4		25	100	250	k Ω
R_f	Feedback resistance	Measurement cct 5		200	600	1000	k Ω
C_G	Built-in capacitance	Design value, determined by the internal wafer pattern	PT7C5022A1A, PT7C5022A3A, PT7C5022A5A, PT7C5022A7A	7.44	8	8.56	pF
C_D				9.3	10	10.7	
V_{OH}	High level output voltage	Q: Measurement cct 1, $I_{OH} = 4mA$		2.1	2.4	-	V
V_{OL}	Low level output voltage	Q: Measurement cct 2, $I_{OL} = 4mA$		-	0.3	0.4	V
I_Z	Output leakage current	Q: Measurement cct 2, $V_{DD} = 3.6V$, $V_{INH} = LOW$	$V_{OH} = V_{DD}$	-	-	10	μA
			$V_{OL} = GND$	-	-	10	

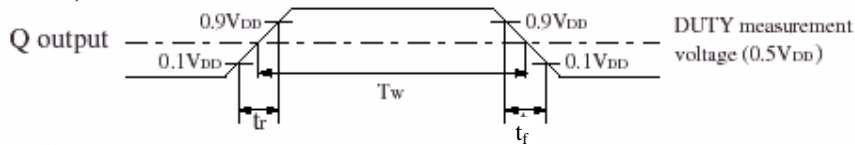
5V operation: AxA series/BxA series

$V_{DD} = 4.5$ to $5.5 V$, $T_A = -20$ to $80^\circ C$, unless otherwise noted.

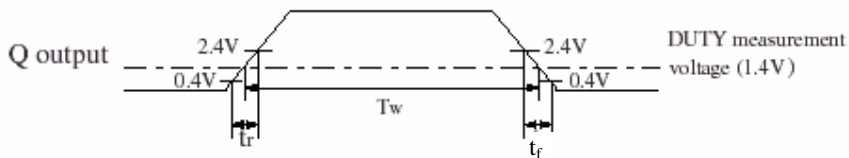
Sym.	Parameter	Condition		Min	Typ	Max	Unit	
I_{DD}	Current consumption	INH = open, Measurement cct 3, $C_L = 15$ pF, 30MHz crystal	Load cct 1	PT7C5022AxA	-	7	12	mA
			Load cct 2	PT7C5022BxA	-	7	12	
V_{IH}	High level input voltage	INH		2.0	-	-	V	
V_{IL}	Low level input voltage	INH		-	-	0.8	V	
R_{UP}	INH pull-up resistance	Measurement cct 4		25	100	250	k Ω	
R_f	Feedback resistance	Measurement cct 5		200	600	1000	k Ω	
C_G	Built-in capacitance	Design value, determined by the internal wafer pattern	PT7C5022A1A, PT7C5022A3A, PT7C5022A5A, PT7C5022A7A, PT7C5022B1A	7.44	8	8.56	pF	
C_D				9.3	10	10.7		
V_{OH}	High level output voltage	Q: Measurement cct 1, $I_{OH} = 8 mA$		3.9	4.2	-	V	
V_{OL}	Low level output voltage	Q: Measurement cct 1, $I_{OL} = 8 mA$		-	0.3	0.4	V	
I_Z	Output leakage current	Q: Measurement cct 2, INH=LOW	$V_{OH} = V_{DD}$	-	-	10	μA	
			$V_{OL} = GND$	-	-	10		

AC Electrical Characteristics

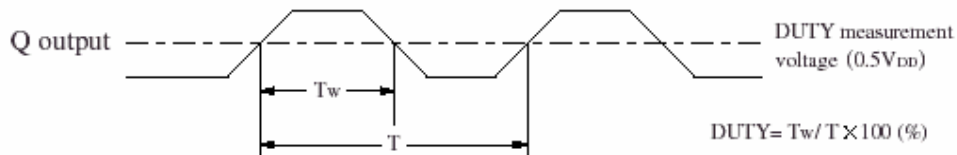
Output duty level (CMOS)



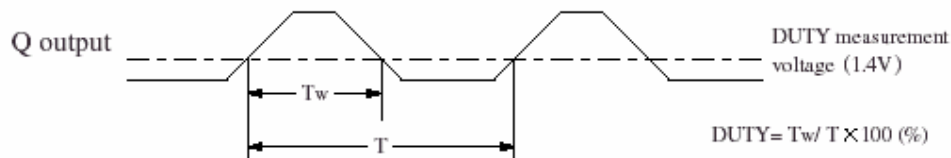
Output duty level (TTL)



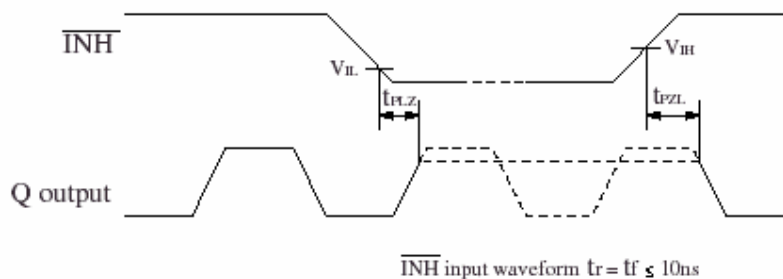
Output duty cycle (CMOS)



Output duty cycle (TTL)



Output Enable/Disable Delay



CMOS: AxA series

3V operation: $V_{DD} = 2.7$ to $3.6V$, $T_A = -20$ to $80^\circ C$, unless otherwise noted.

Sym	Parameter	Conditions	Min	Typ	Max	Unit	
t_r	Output rise time	Measurement cct 6, load cct 1, $C_L = 15$ pF	$0.2V_{DD}$ to $0.8V_{DD}$	-	5	10	ns
			$0.1V_{DD}$ to $0.9V_{DD}$	-	10	20	
t_f	Output fall time	Measurement cct 6, load cct 1, $C_L = 15$ pF	$0.8V_{DD}$ to $0.2V_{DD}$	-	5	10	ns
			$0.9V_{DD}$ to $0.1V_{DD}$	-	10	20	
Duty	Output duty cycle	Measurement cct 6, load cct 1, $T_A = 25^\circ C$, $V_{DD} = 3V$, $C_L = 15$ pF, $f = 30MHz$	45	-	55	%	
t_{PLZ}	Output disable delay time (Note)	Measurement cct 7, load cct 1, $T_A = 25^\circ C$, $V_{DD} = 3$ V, $C_L = 15$ pF	-	-	100	ns	
t_{PZL}	Output enable delay time (Note)		-	-	100		

Note: Oscillator stop function is built-in. When INH goes LOW, normal output stops. When INH goes HIGH, normal output is not resumed until after the oscillator start-up time has elapsed.

5V operation: $V_{DD} = 4.5$ to 5.5 V, $T_A = -20$ to $80^\circ C$, unless otherwise noted.

Sym	Parameter	Conditions	Min	Typ	Max	Unit
t_r	Output rise time	Measurement cct 6, load cct 1, $0.1V_{DD}$ to $0.9V_{DD}$, $C_L = 15$ pF	-	3.5	7	ns
t_f	Output fall time	Measurement cct 6, load cct 1, $0.1V_{DD}$ to $0.9V_{DD}$, $C_L = 15$ pF	-	3.5	7	ns
Duty	Output duty cycle1	Measurement cct 6, load cct 1, $T_A = 25^\circ C$, $V_{DD} = 5$ V, $C_L = 15$ pF, $f = 30MHz$	45	-	55	%
t_{PLZ}	Output disable delay time (Note)	Measurement cct 6, load cct 1, $T_A = 25^\circ C$, $V_{DD} = 5$ V, $C_L = 15$ pF	-	-	100	ns
t_{PZL}	Output enable delay time (Note)		-	-	100	

Note: Oscillator stop function is built-in. When INH goes LOW, normal output stops. When INH goes HIGH, normal output is not resumed until after the oscillator start-up time has elapsed.

TTL: BxA series

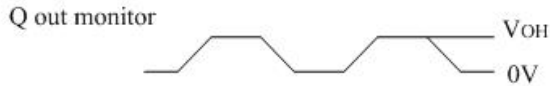
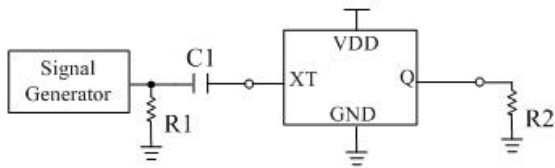
5V operation: $V_{DD} = 4.5$ to 5.5 V, $T_A = -20$ to $80^\circ C$, unless otherwise noted.

Sym	Parameter	Conditions	Min	Typ	Max	Unit
t_{r3}	Output rise time	Measurement cct 6, load cct 2, $0.4V$ to $2.4V$, $C_L = 15$ pF	-	2.5	7	ns
t_{f3}	Output fall time	Measurement cct 6, load cct 2, $2.4V$ to $0.4V$, $C_L = 15$ pF	-	2.5	7	ns
Duty	Output duty cycle	Measurement cct 6, load cct 2, $T_A = 25^\circ C$, $V_{DD} = 5$ V, $C_L = 15$ pF, $f = 30MHz$	45	-	55	%
t_{PLZ}	Output disable delay time (Note)	Measurement cct 7, load cct 2, $T_A = 25^\circ C$, $V_{DD} = 5$ V, $C_L = 15$ pF	-	-	100	ns
t_{PZL}	Output enable delay time (Note)		-	-	100	

Note: Oscillator stop function is built-in. When INH goes LOW, normal output stops. When INH goes HIGH, normal output is not resumed until after the oscillator start-up time has elapsed.

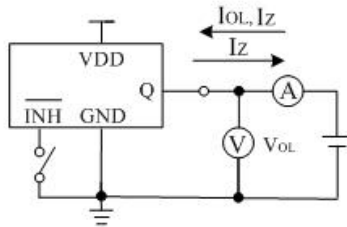
Measurement Circuit

Measurement cct 1

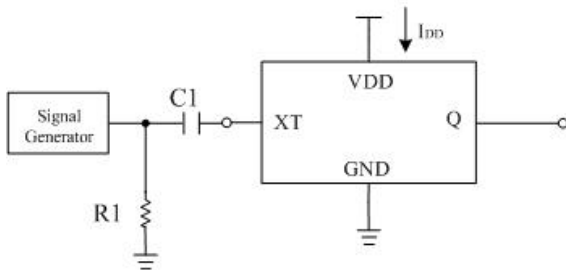


2.0 V_{p-p}, 10MHz sine wave input signal (3V operation)
 3.5 V_{p-p}, 10MHz sine wave input signal (5V operation)
 C1: 0.001mF
 R1: 50
 R2: 525 (3V operation)
 490 (5V operation)

Measurement cct 2



Measurement cct 3

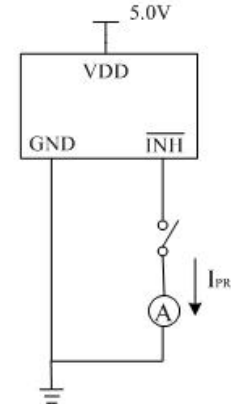


R1: 50ohm

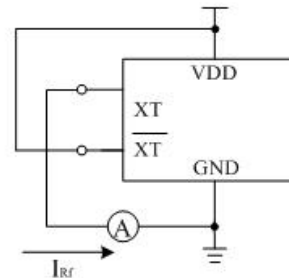
2.0 V_{p-p}, 30MHz sine wave input signal (3V operation)
 3.5 V_{p-p}, 30MHz sine wave input signal (5V operation)
 C1: 0.001F
 R1: 50

Measurement cct 4

$$R_{UP} = \frac{V_{DD}}{I_{PR}}$$

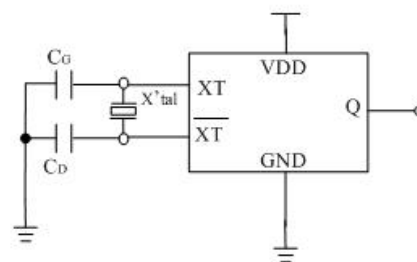


Measurement cct 5

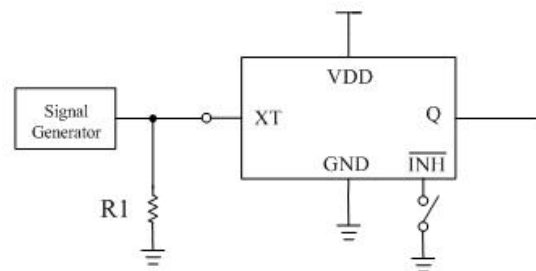


$$R_r = \frac{V_{DD}}{I_{RF}}$$

Measurement cct 6

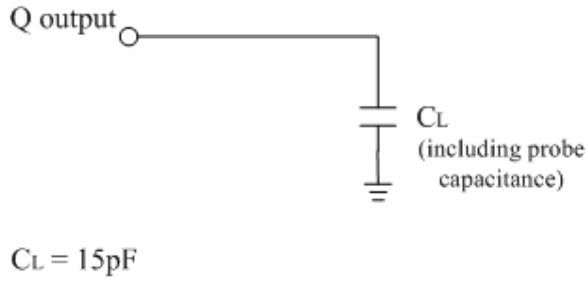


Measurement cct 7

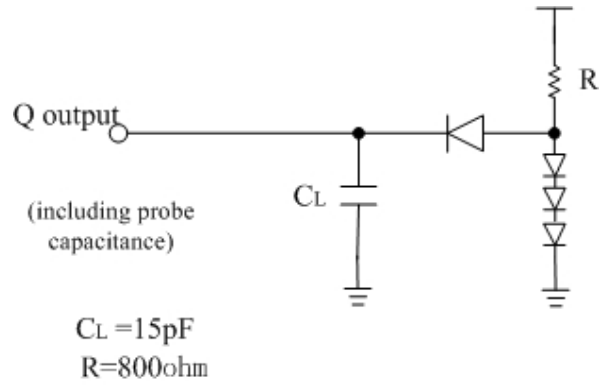


R1: 50ohm

Load cct 1

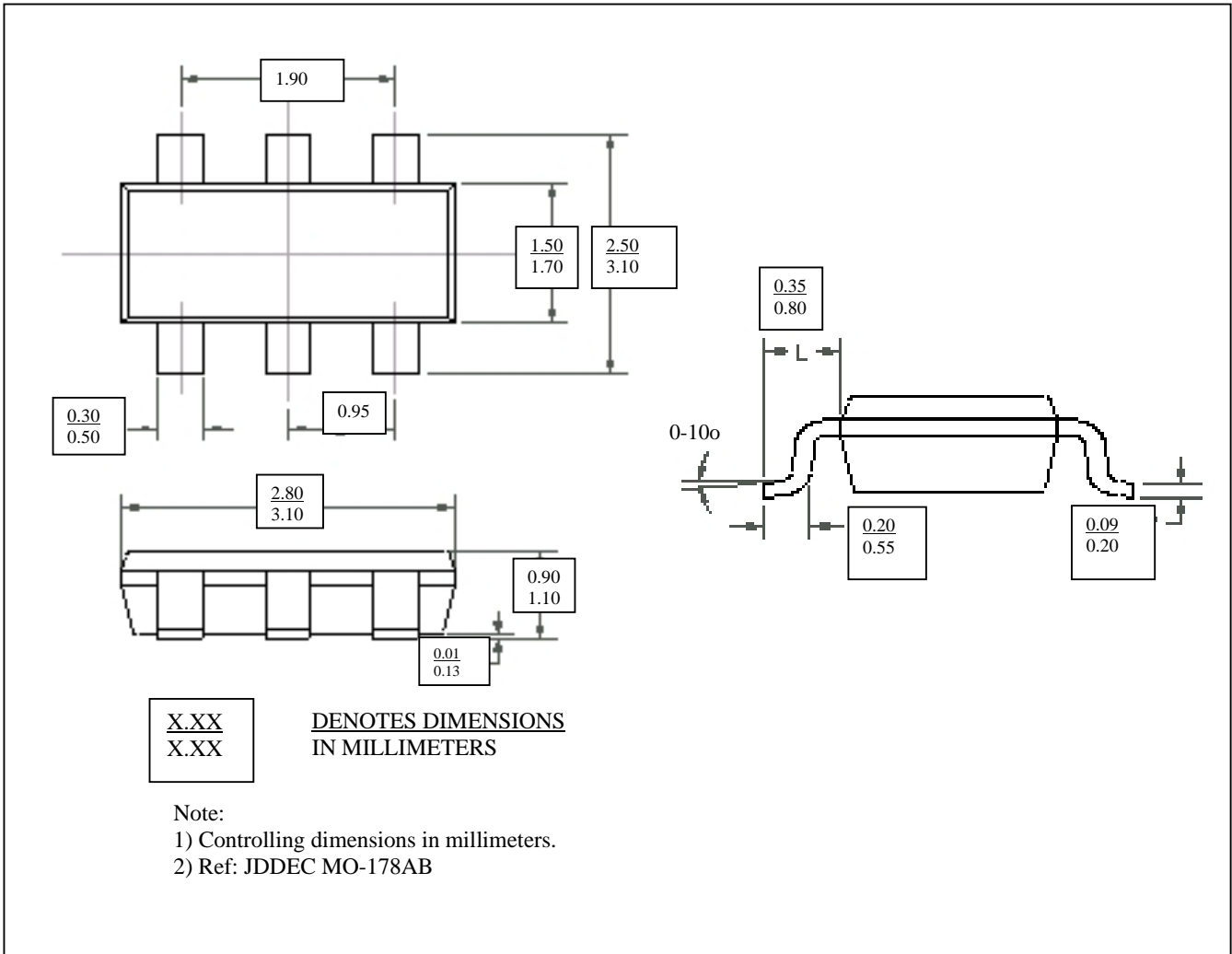


Load cct 2



Mechanical Information

SOT23-6 Package Drawing



SOT-23 Package Top Marking Instruction

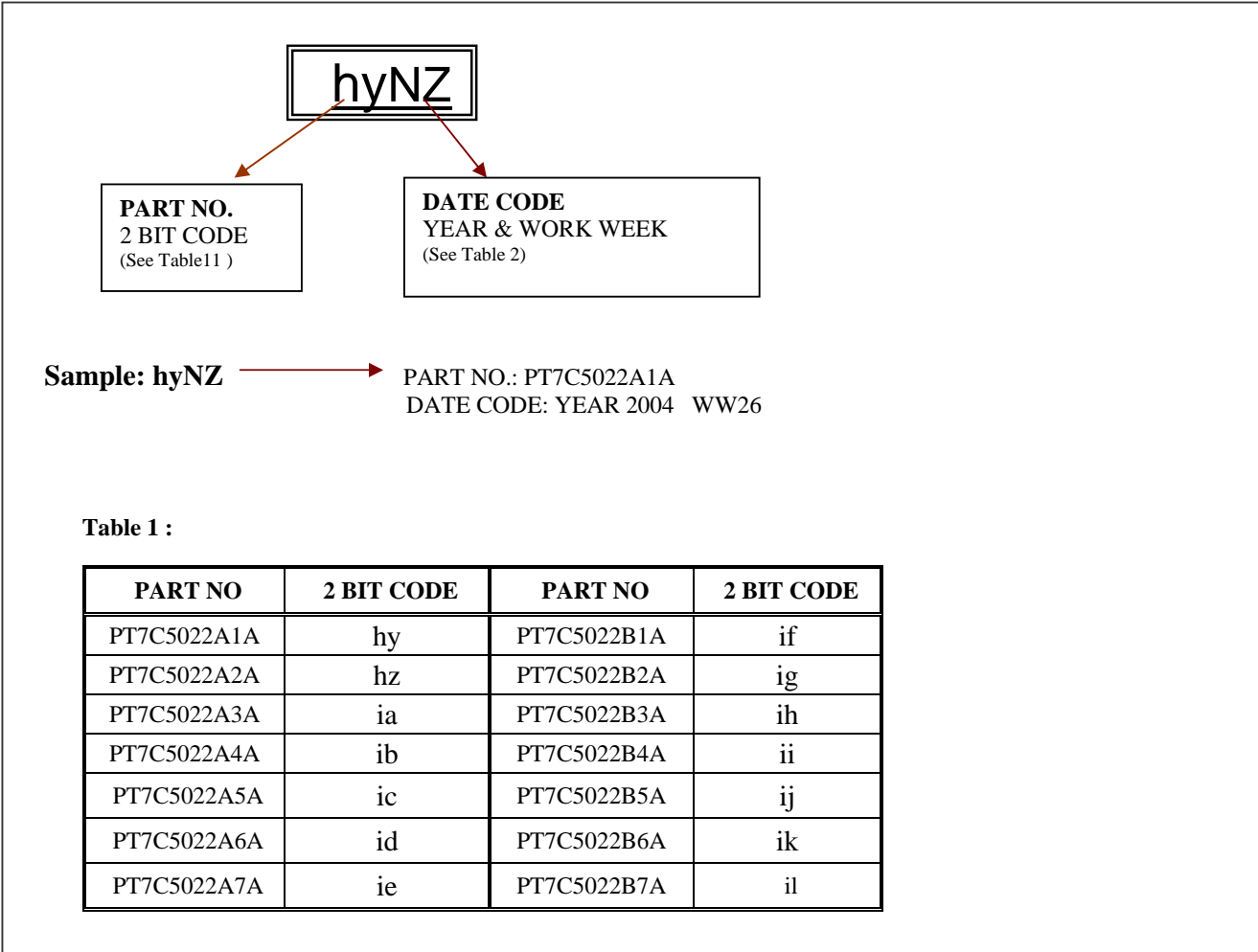


Table 2

1998	A	1	A	1999	C	1	A	2000	E	1	A	2001	G	1	A	2002	J	1	A	2003	L	1	A	2004	N	1	A
1998	A	2	B	1999	C	2	B	2000	E	2	B	2001	G	2	B	2002	J	2	B	2003	L	2	B	2004	N	2	B
1998	A	3	C	1999	C	3	C	2000	E	3	C	2001	G	3	C	2002	J	3	C	2003	L	3	C	2004	N	3	C
1998	A	4	D	1999	C	4	D	2000	E	4	D	2001	G	4	D	2002	J	4	D	2003	L	4	D	2004	N	4	D
1998	A	5	E	1999	C	5	E	2000	E	5	E	2001	G	5	E	2002	J	5	E	2003	L	5	E	2004	N	5	E
1998	A	6	F	1999	C	6	F	2000	E	6	F	2001	G	6	F	2002	J	6	F	2003	L	6	F	2004	N	6	F
1998	A	7	G	1999	C	7	G	2000	E	7	G	2001	G	7	G	2002	J	7	G	2003	L	7	G	2004	N	7	G
1998	A	8	H	1999	C	8	H	2000	E	8	H	2001	G	8	H	2002	J	8	H	2003	L	8	H	2004	N	8	H
1998	A	9	I	1999	C	9	I	2000	E	9	I	2001	G	9	I	2002	J	9	I	2003	L	9	I	2004	N	9	I
1998	A	10	J	1999	C	10	J	2000	E	10	J	2001	G	10	J	2002	J	10	J	2003	L	10	J	2004	N	10	J
1998	A	11	K	1999	C	11	K	2000	E	11	K	2001	G	11	K	2002	J	11	K	2003	L	11	K	2004	N	11	K
1998	A	12	L	1999	C	12	L	2000	E	12	L	2001	G	12	L	2002	J	12	L	2003	L	12	L	2004	N	12	L
1998	A	13	M	1999	C	13	M	2000	E	13	M	2001	G	13	M	2002	J	13	M	2003	L	13	M	2004	N	13	M
1998	A	14	N	1999	C	14	N	2000	E	14	N	2001	G	14	N	2002	J	14	N	2003	L	14	N	2004	N	14	N
1998	A	15	O	1999	C	15	O	2000	E	15	O	2001	G	15	O	2002	J	15	O	2003	L	15	O	2004	N	15	O
1998	A	16	P	1999	C	16	P	2000	E	16	P	2001	G	16	P	2002	J	16	P	2003	L	16	P	2004	N	16	P
1998	A	17	Q	1999	C	17	Q	2000	E	17	Q	2001	G	17	Q	2002	J	17	Q	2003	L	17	Q	2004	N	17	Q
1998	A	18	R	1999	C	18	R	2000	E	18	R	2001	G	18	R	2002	J	18	R	2003	L	18	R	2004	N	18	R
1998	A	19	S	1999	C	19	S	2000	E	19	S	2001	G	19	S	2002	J	19	S	2003	L	19	S	2004	N	19	S
1998	A	20	T	1999	C	20	T	2000	E	20	T	2001	G	20	T	2002	J	20	T	2003	L	20	T	2004	N	20	T
1998	A	21	U	1999	C	21	U	2000	E	21	U	2001	G	21	U	2002	J	21	U	2003	L	21	U	2004	N	21	U
1998	A	22	V	1999	C	22	V	2000	E	22	V	2001	G	22	V	2002	J	22	V	2003	L	22	V	2004	N	22	V
1998	A	23	W	1999	C	23	W	2000	E	23	W	2001	G	23	W	2002	J	23	W	2003	L	23	W	2004	N	23	W
1998	A	24	X	1999	C	24	X	2000	E	24	X	2001	G	24	X	2002	J	24	X	2003	L	24	X	2004	N	24	X
1998	A	25	Y	1999	C	25	Y	2000	E	25	Y	2001	G	25	Y	2002	J	25	Y	2003	L	25	Y	2004	N	25	Y
1998	A	26	Z	1999	C	26	Z	2000	E	26	Z	2001	G	26	Z	2002	J	26	Z	2003	L	26	Z	2004	N	26	Z
1998	B	27	A	1999	D	27	A	2000	F	27	A	2001	H	27	A	2002	K	27	A	2003	M	27	A	2004	O	27	A
1998	B	28	B	1999	D	28	B	2000	F	28	B	2001	H	28	B	2002	K	28	B	2003	M	28	B	2004	O	28	B
1998	B	29	C	1999	D	29	C	2000	F	29	C	2001	H	29	C	2002	K	29	C	2003	M	29	C	2004	O	29	C
1998	B	30	D	1999	D	30	D	2000	F	30	D	2001	H	30	D	2002	K	30	D	2003	M	30	D	2004	O	30	D
1998	B	31	E	1999	D	31	E	2000	F	31	E	2001	H	31	E	2002	K	31	E	2003	M	31	E	2004	O	31	E
1998	B	32	F	1999	D	32	F	2000	F	32	F	2001	H	32	F	2002	K	32	F	2003	M	32	F	2004	O	32	F
1998	B	33	G	1999	D	33	G	2000	F	33	G	2001	H	33	G	2002	K	33	G	2003	M	33	G	2004	O	33	G
1998	B	34	H	1999	D	34	H	2000	F	34	H	2001	H	34	H	2002	K	34	H	2003	M	34	H	2004	O	34	H
1998	B	35	I	1999	D	35	I	2000	F	35	I	2001	H	35	I	2002	K	35	I	2003	M	35	I	2004	O	35	I
1998	B	36	J	1999	D	36	J	2000	F	36	J	2001	H	36	J	2002	K	36	J	2003	M	36	J	2004	O	36	J
1998	B	37	K	1999	D	37	K	2000	F	37	K	2001	H	37	K	2002	K	37	K	2003	M	37	K	2004	O	37	K
1998	B	38	L	1999	D	38	L	2000	F	38	L	2001	H	38	L	2002	K	38	L	2003	M	38	L	2004	O	38	L
1998	B	39	M	1999	D	39	M	2000	F	39	M	2001	H	39	M	2002	K	39	M	2003	M	39	M	2004	O	39	M
1998	B	40	N	1999	D	40	N	2000	F	40	N	2001	H	40	N	2002	K	40	N	2003	M	40	N	2004	O	40	N
1998	B	41	O	1999	D	41	O	2000	F	41	O	2001	H	41	O	2002	K	41	O	2003	M	41	O	2004	O	41	O
1998	B	42	P	1999	D	42	P	2000	F	42	P	2001	H	42	P	2002	K	42	P	2003	M	42	P	2004	O	42	P
1998	B	43	Q	1999	D	43	Q	2000	F	43	Q	2001	H	43	Q	2002	K	43	Q	2003	M	43	Q	2004	O	43	Q
1998	B	44	R	1999	D	44	R	2000	F	44	R	2001	H	44	R	2002	K	44	R	2003	M	44	R	2004	O	44	R
1998	B	45	S	1999	D	45	S	2000	F	45	S	2001	H	45	S	2002	K	45	S	2003	M	45	S	2004	O	45	S
1998	B	46	T	1999	D	46	T	2000	F	46	T	2001	H	46	T	2002	K	46	T	2003	M	46	T	2004	O	46	T
1998	B	47	U	1999	D	47	U	2000	F	47	U	2001	H	47	U	2002	K	47	U	2003	M	47	U	2004	O	47	U
1998	B	48	V	1999	D	48	V	2000	F	48	V	2001	H	48	V	2002	K	48	V	2003	M	48	V	2004	O	48	V
1998	B	49	W	1999	D	49	W	2000	F	49	W	2001	H	49	W	2002	K	49	W	2003	M	49	W	2004	O	49	W
1998	B	50	X	1999	D	50	X	2000	F	50	X	2001	H	50	X	2002	K	50	X	2003	M	50	X	2004	O	50	X
1998	B	51	Y	1999	D	51	Y	2000	F	51	Y	2001	H	51	Y	2002	K	51	Y	2003	M	51	Y	2004	O	51	Y
1998	B	52	Z	1999	D	52	Z	2000	F	52	Z	2001	H	52	Z	2002	K	52	Z	2003	M	52	Z	2004	O	52	Z

Notes

Pericom Technology Inc.

Email: support@pti.com.cn Web Site: www.pti.com.cn, www.pti-ic.com

China: No. 20 Building, 3/F, 481 Guiping Road, Shanghai, 200233, China
Tel: (86)-21-6485 0576 Fax: (86)-21-6485 2181

Asia Pacific: Unit 1517, 15/F, Chevalier Commercial Centre, 8 Wang Hoi Rd, Kowloon Bay, Hongkong
Tel: (852)-2243 3660 Fax: (852)- 2243 3667

U.S.A.: 3545 North First Street, San Jose, California 95134, USA
Tel: (1)-408-435 0800 Fax: (1)-408-435 1100

Pericom Technology Incorporation reserves the right to make changes to its products or specifications at any time, without notice, in order to improve design or performance and to supply the best possible product. Pericom Technology does not assume any responsibility for use of any circuitry described other than the circuitry embodied in Pericom Technology product. The company makes no representations that circuitry described herein is free from patent infringement or other rights, of Pericom Technology Incorporation.