



GaAs INTEGRATED CIRCUIT

μ PG2310TK

GaAs MMIC LOW NOISE AMPLIFIER FOR SATELLITE RADIO

DESCRIPTION

The μ PG2310TK is a GaAs MMIC LNA for SDARS (Satellite Digital Audio Radio Services). High Gain and Low Distortion suit to driver stage amplifier for Satellite Radio Antenna.

FEATURES

- High gain : $G_P = 27.0$ dB TYP.
- Low distortion : $OIP_3 = +28.5$ dBm TYP.
- 6-pin lead-less minimold package ($1.5 \times 1.1 \times 0.55$ mm)

APPLICATION

- Satellite Radio Antenna etc.

ORDERING INFORMATION

Part Number	Order Number	Package	Marking	Supplying Form
μ PG2310TK-E2	μ PG2310TK-E2-A	6-pin lead-less minimold (1511 PKG) (Pb-Free) ^{Note}	G4W	<ul style="list-style-type: none">• Embossed tape 8 mm wide• Pin 1, 6 face the perforation side of the tape• Qty 5 kpcs/reel

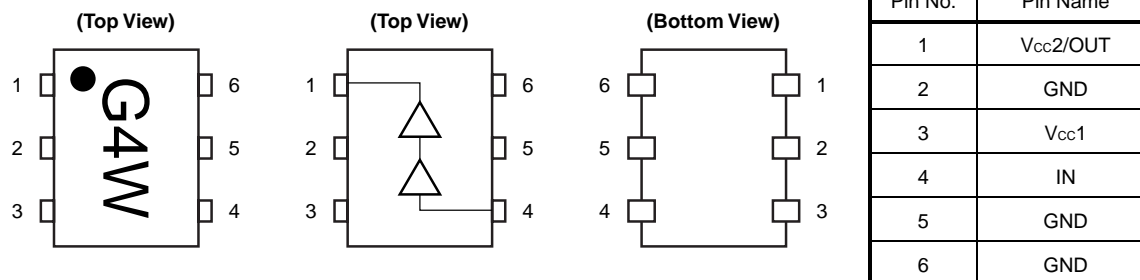
Note With regards to terminal solder (the solder contains lead) plated products (conventionally plated), contact your nearby sales office.

Remark To order evaluation samples, contact your nearby sales office.
Part number for sample order: μ PG2310TK-A

Caution Observe precautions when handling because these devices are sensitive to electrostatic discharge.

The information in this document is subject to change without notice. Before using this document, please confirm that this is the latest version.

PIN CONNECTIONS AND INTERNAL BLOCK DIAGRAM

ABSOLUTE MAXIMUM RATINGS (T_A = +25°C, unless otherwise specified)

Parameter	Symbol	Ratings	Unit
Supply Voltage	V _{cc1} , V _{cc2}	+5.0	V
Input Power	P _{in}	-10	dBm
Total Power Dissipation	P _{tot}	300 ^{Note}	mW
Operating Ambient Temperature	T _A	-45 to +85	°C
Storage Temperature	T _{stg}	-55 to +150	°C

Note Mounted on double-sided copper-clad 50 × 50 × 1.6 mm epoxy glass PWB, T_A = +85°C

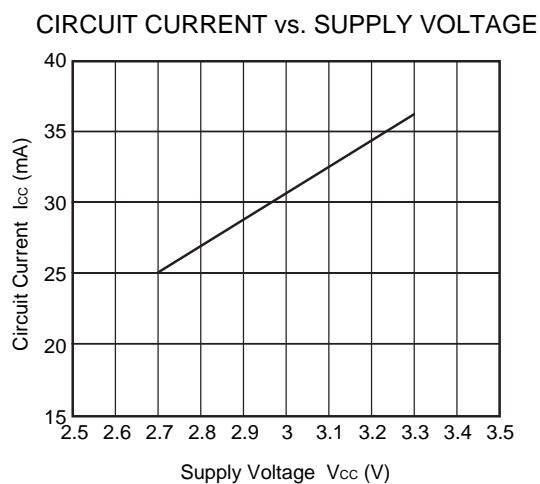
RECOMMENDED OPERATING RANGE

Parameter	Symbol	MIN.	TYP.	MAX.	Unit
Operating Frequency	f _{opt}	2 320	2 340	2 360	MHz
Supply Voltage	V _{cc1} , V _{cc2}	+2.7	+3.0	+3.3	V
Operating Ambient Temperature	T _A	-45	+25	+85	°C

ELECTRICAL CHARACTERISTICS (T_A = +25°C, V_{cc1} = V_{cc2} = +3.0 V, Z_o = 50 Ω , unless otherwise specified)

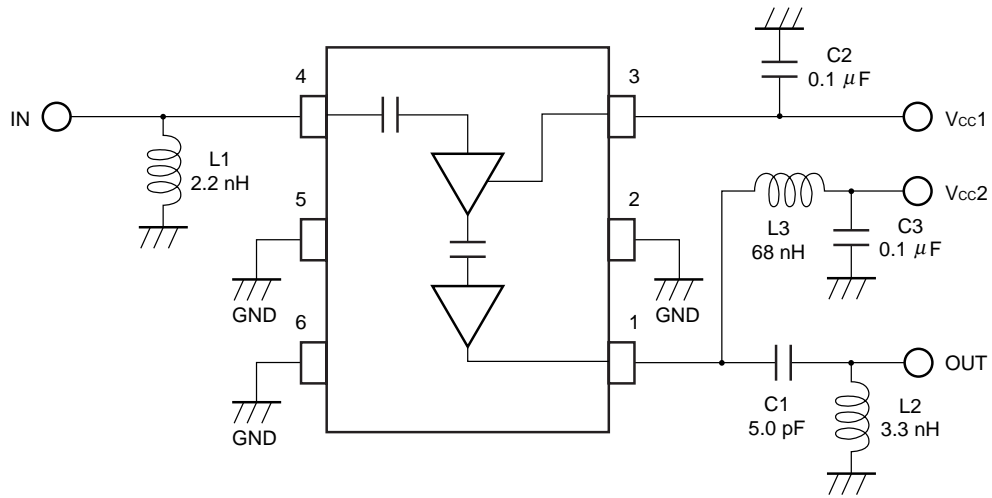
Parameter	Symbol	Test Conditions	MIN.	TYP.	MAX.	Unit
Power Gain	G _P	f = 2 340 MHz, P _{in} = -30 dBm	25.0	27.0	-	dB
Noise Figure	NF	f = 2 340 MHz	-	1.8	2.0	dB
Input Return Loss	RL _{in}	f = 2 340 MHz, P _{in} = -30 dBm	-	13	-	dB
Output Return Loss	RL _{out}	f = 2 340 MHz, P _{in} = -30 dBm	-	15	-	dB
Output 3rd Order Distortion Intercept Point	OIP ₃	f ₁ = 2 340 MHz, f ₂ = 2 340.1 MHz	+26.5	+28.5	-	dBm
Circuit Current ^{Note}	I _{cc}	f = 2 340 MHz, P _{in} = -30 dBm	-	30	35	mA

Note Please refer to following chart.



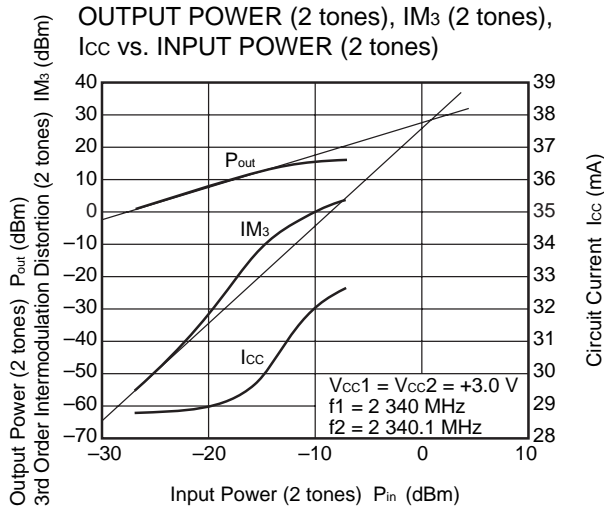
Remark The graph indicates nominal characteristics.

TEST CIRCUIT



The application circuits and their parameters are for reference only and are not intended for use in actual design-ins.

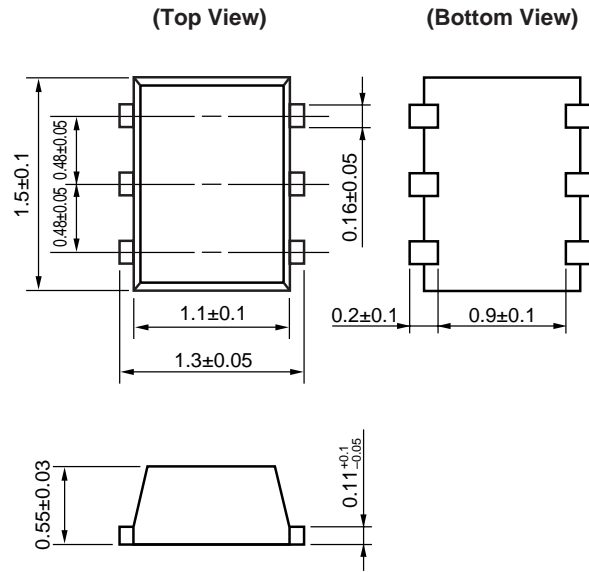
TYPICAL CHARACTERISTICS (T_A = +25°C, unless otherwise specified)



Remark The graph indicates nominal characteristics.

PACKAGE DIMENSIONS

6-PIN LEAD-LESS MINIMOLD (1511 PKG) (UNIT: mm)



RECOMMENDED SOLDERING CONDITIONS

This product should be soldered and mounted under the following recommended conditions. For soldering methods and conditions other than those recommended below, contact your nearby sales office.

Soldering Method	Soldering Conditions	Condition Symbol
Infrared Reflow	Peak temperature (package surface temperature) : 260°C or below Time at peak temperature : 10 seconds or less Time at temperature of 220°C or higher : 60 seconds or less Preheating time at 120 to 180°C : 120±30 seconds Maximum number of reflow processes : 3 times Maximum chlorine content of rosin flux (% mass) : 0.2%(Wt.) or below	IR260
Wave Soldering	Peak temperature (molten solder temperature) : 260°C or below Time at peak temperature : 10 seconds or less Preheating temperature (package surface temperature) : 120°C or below Maximum number of flow processes : 1 time Maximum chlorine content of rosin flux (% mass) : 0.2%(Wt.) or below	WS260
Partial Heating	Peak temperature (terminal temperature) : 350°C or below Soldering time (per side of device) : 3 seconds or less Maximum chlorine content of rosin flux (% mass) : 0.2%(Wt.) or below	HS350

Caution Do not use different soldering methods together (except for partial heating).

Subject: Compliance with EU Directives

CEL certifies, to its knowledge, that semiconductor and laser products detailed below are compliant with the requirements of European Union (EU) Directive 2002/95/EC Restriction on Use of Hazardous Substances in electrical and electronic equipment (RoHS) and the requirements of EU Directive 2003/11/EC Restriction on Penta and Octa BDE.

CEL Pb-free products have the same base part number with a suffix added. The suffix –A indicates that the device is Pb-free. The –AZ suffix is used to designate devices containing Pb which are exempted from the requirement of RoHS directive (*). In all cases the devices have Pb-free terminals. All devices with these suffixes meet the requirements of the RoHS directive.

This status is based on CEL’s understanding of the EU Directives and knowledge of the materials that go into its products as of the date of disclosure of this information.

Restricted Substance per RoHS	Concentration Limit per RoHS (values are not yet fixed)	Concentration contained in CEL devices	
		-A	-AZ
Lead (Pb)	< 1000 PPM	Not Detected	(*)
Mercury	< 1000 PPM	Not Detected	
Cadmium	< 100 PPM	Not Detected	
Hexavalent Chromium	< 1000 PPM	Not Detected	
PBB	< 1000 PPM	Not Detected	
PBDE	< 1000 PPM	Not Detected	

If you should have any additional questions regarding our devices and compliance to environmental standards, please do not hesitate to contact your local representative.

Important Information and Disclaimer: Information provided by CEL on its website or in other communications concerning the substance content of its products represents knowledge and belief as of the date that it is provided. CEL bases its knowledge and belief on information provided by third parties and makes no representation or warranty as to the accuracy of such information. Efforts are underway to better integrate information from third parties. CEL has taken and continues to take reasonable steps to provide representative and accurate information but may not have conducted destructive testing or chemical analysis on incoming materials and chemicals. CEL and CEL suppliers consider certain information to be proprietary, and thus CAS numbers and other limited information may not be available for release.

In no event shall CEL’s liability arising out of such information exceed the total purchase price of the CEL part(s) at issue sold by CEL to customer on an annual basis.

See CEL Terms and Conditions for additional clarification of warranties and liability.