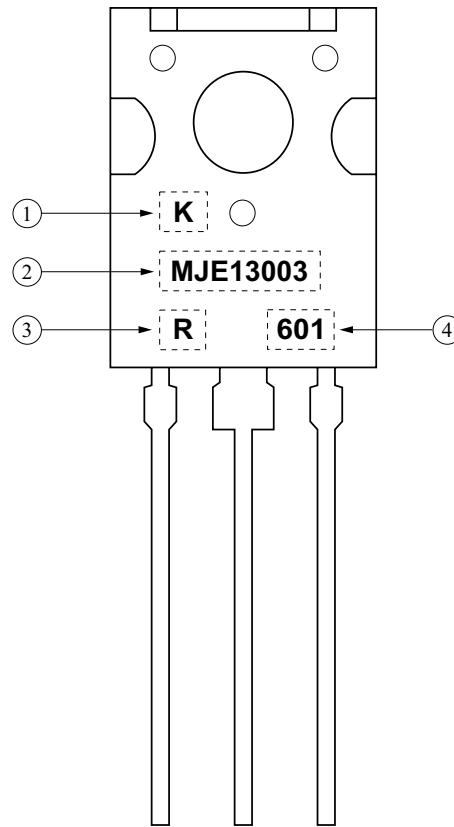


### 1. Marking method

Laser Marking or Ink Marking.

### 2. Marking



No.	Item	Marking	Description		
1	KEC	K	KEC CORP.		
2	Device Name	MJE13003	MJE13003		
3	hFE Grade	R	R, O, Y		
4	Lot No.	601	6	Year	0~9 : 2000~2009
			01	Week	01 : 1th Week