

New Jersey Semi-Conductor Products, Inc.

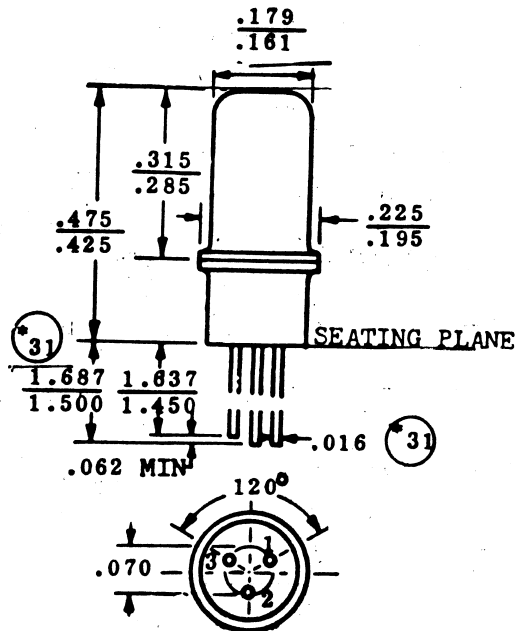
20 STERN AVE.
 SPRINGFIELD, NEW JERSEY 07081
 U.S.A.

TELEPHONE: (201) 376-2922
 (212) 227-6005
 FAX: (201) 376-8960

2N345
 GE PNP LO-PWR BJT

Description: Ge PNP Lo-Pwr BJT

Manufacturer.....	
Mil/High-Rel? (Y/N).....	
Vbr CBO.....	5.0
hfe.....	25
@Ic (A).....	500u
@VCE (test) (V).....	3.0
Ic Max. (A).....	5.0m
Trans. Freq (Hz) Min.....	
C(ob) (F).....	6.0p
Icbo Max. @Vcb Max. (A).....	3.0u
Vbr CEO.....	5.0
Max. PD (W).....	20m
Derate (Amb) (W/xC).....	666u
Oper. Temp (xC) Max.....	55u
Pkg Style.....	T0-24
Surface Mounted (Y/N).....	N
Pinout Equivalence Number.....	3-17



Quality Semi-Conductors