

Multichannel CODEC with S/PDIF Transceiver

DESCRIPTION

The WM8580 is a multi-channel audio CODEC with S/PDIF transceiver. The WM8580 is ideal for DVD and surround sound processing applications for home hi-fi, automotive and other audiovisual equipment.

Integrated into the device is a stereo 24-bit multi-bit sigma delta ADC with support for digital audio output word lengths from 16-bit to 32-bit, and sampling rates from 8kHz to 192kHz.

Also included are three stereo 24-bit multi-bit sigma delta DACs, each with a dedicated oversampling digital interpolation filter. Digital audio input word lengths from 16-bits to 32-bits and sampling rates from 8kHz to 192kHz are supported. Each DAC channel has independent digital volume and mute control.

Two independent audio data interfaces support I²S, Left Justified, Right Justified and DSP digital audio formats. Each audio interface can operate in either Master Mode or Slave Mode.

The S/PDIF transceiver is IEC-60958-3 compatible and supports frame rates from 32k/s to 96k/s. It has four multiplexed inputs and one output. Status and error monitoring is built-in and results can be reported over the serial interface or via GPO pins. S/PDIF Channel Block configuration is also supported.

The device has two PLLs that can be configured independently to generate two system clocks for internal or external use.

Device control and setup is via a 2-wire or 3-wire (SPI compatible) serial interface. The serial interface provides access to all features including channel selection, volume controls, mutes, de-emphasis, S/PDIF control/status, and power management facilities. Alternatively, the device has a Hardware Control Mode where device features can be enabled/disabled using selected pins.

The device is available in a 48-lead TQFP package.

FEATURES

- Multi-channel CODEC with 3 Stereo DACs and 1 Stereo ADC
- Integrated S/PDIF / IEC-60958-3 transceiver
- Audio Performance
 - 103dB SNR ('A' weighted @ 48kHz) DAC
 - -90dB THD (48kHz) DAC
 - 100dB SNR ('A' weighted @ 48kHz) ADC
 - -87dB THD (48kHz) ADC
- DAC Sampling Frequency: 8kHz – 192kHz
- ADC Sampling Frequency: 8kHz – 192kHz
- Independent ADC and DAC Sample Rates
- 2 and 3-Wire Serial Control Interface with readback, or Hardware Control Interface
- GPO pins allow visibility of user selected status flags
- Programmable Audio Data Interface Modes
 - I²S, Left, Right Justified or DSP
 - 16/20/24/32 bit Word Lengths
- Three Independent Stereo DAC Outputs with Digital Volume Controls
- Two Independent Master or Slave Audio Data Interfaces
- Flexible Digital Interface Routing with Clock Selection Control
- 2.7V to 5.5V Analogue, 2.7V to 3.6V Digital Supply Operation
- 48-lead TQFP Package

APPLICATIONS

- Digital TV
- DVD Players and Receivers
- Surround Sound AV Processors and Hi-Fi systems
- Automotive Audio

BLOCK DIAGRAM

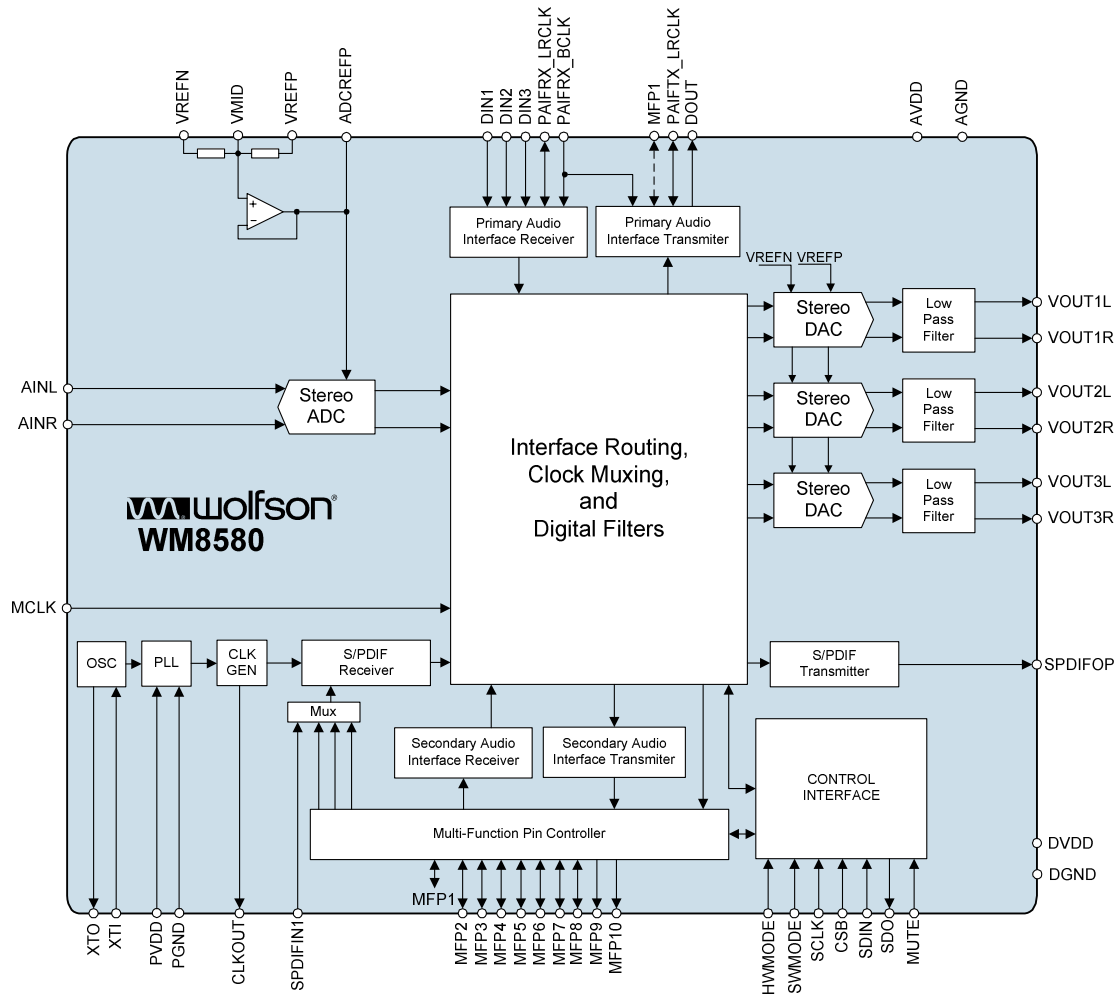
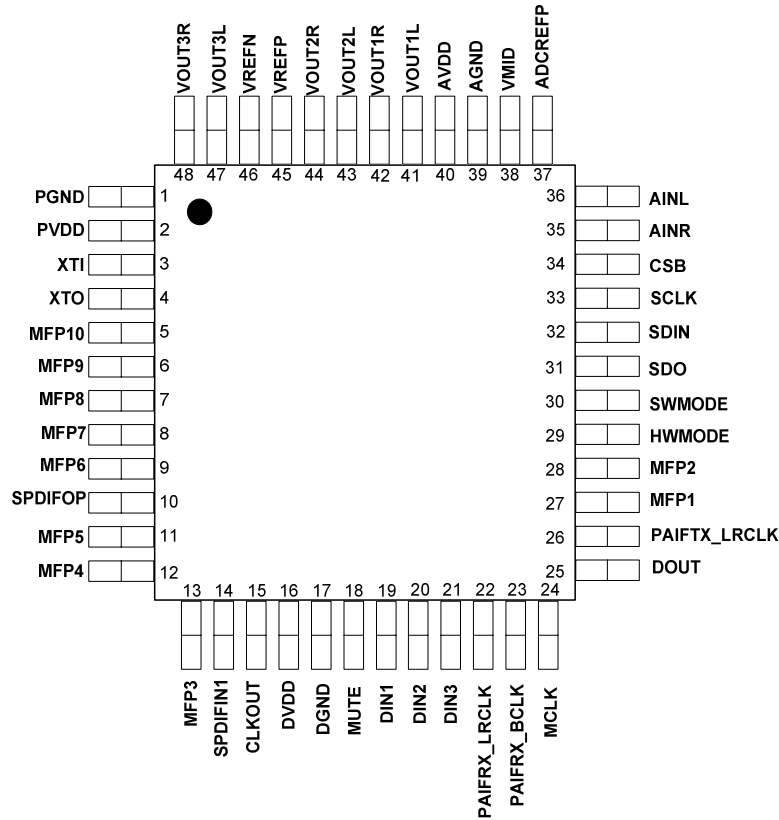


TABLE OF CONTENTS

| | |
|--|-----------|
| DESCRIPTION | 1 |
| FEATURES | 1 |
| APPLICATIONS | 1 |
| BLOCK DIAGRAM | 2 |
| TABLE OF CONTENTS | 3 |
| PIN CONFIGURATION | 4 |
| ORDERING INFORMATION | 4 |
| PIN DESCRIPTION | 5 |
| MULTI-FUNCTION PINS..... | 6 |
| ABSOLUTE MAXIMUM RATINGS | 8 |
| RECOMMENDED OPERATING CONDITIONS | 9 |
| ELECTRICAL CHARACTERISTICS | 9 |
| TERMINOLOGY | 12 |
| MASTER CLOCK TIMING | 12 |
| DIGITAL AUDIO INTERFACE – MASTER MODE | 13 |
| DIGITAL AUDIO INTERFACE – SLAVE MODE | 14 |
| CONTROL INTERFACE TIMING – 3-WIRE MODE | 15 |
| CONTROL INTERFACE TIMING – 2-WIRE MODE | 16 |
| DEVICE DESCRIPTION | 17 |
| INTRODUCTION..... | 17 |
| CONTROL INTERFACE OPERATION | 18 |
| DIGITAL AUDIO INTERFACES..... | 22 |
| AUDIO DATA FORMATS | 24 |
| AUDIO INTERFACE CONTROL..... | 28 |
| DAC FEATURES..... | 30 |
| ADC FEATURES..... | 39 |
| DIGITAL ROUTING OPTIONS | 40 |
| CLOCK SELECTION | 42 |
| PHASE-LOCKED LOOPS AND S/PDIF CLOCKING (SOFTWARE MODE)..... | 48 |
| PHASE-LOCKED LOOPS AND S/PDIF CLOCKING (HARDWARE MODE) | 55 |
| S/PDIF TRANSCEIVER..... | 55 |
| POWERDOWN MODES | 68 |
| INTERNAL POWER ON RESET CIRCUIT | 70 |
| HARDWARE CONTROL MODE..... | 72 |
| REGISTER MAP | 75 |
| DIGITAL FILTER CHARACTERISTICS | 90 |
| DAC FILTER RESPONSES..... | 91 |
| DIGITAL DE-EMPHASIS CHARACTERISTICS..... | 92 |
| ADC FILTER RESPONSES..... | 92 |
| ADC HIGH PASS FILTER | 93 |
| APPLICATIONS INFORMATION | 94 |
| RECOMMENDED EXTERNAL COMPONENTS..... | 94 |
| PACKAGE DIMENSIONS | 96 |
| IMPORTANT NOTICE | 97 |
| ADDRESS: | 97 |

PIN CONFIGURATION



ORDERING INFORMATION

| DEVICE | TEMPERATURE RANGE | PACKAGE | MOISTURE SENSITIVITY LEVEL | PEAK SOLDERING TEMPERATURE |
|----------------|-------------------|---------------------------------------|----------------------------|----------------------------|
| WM8580AGEFT/V | -40 to +85°C | 48-lead TQFP (Pb-free) | MSL1 | 260°C |
| WM8580AGEFT/RV | -40 to +85°C | 48-lead TQFP (Pb-free, tape and reel) | MSL1 | 260°C |

Note:

Reel quantity = 2,200

PIN DESCRIPTION

| PIN | NAME | TYPE | DESCRIPTION |
|-----|--------------|----------------------|--|
| 1 | PGND | Supply | PLL ground |
| 2 | PVDD | Supply | PLL positive supply |
| 3 | XTI | Digital Input | Crystal or CMOS clock input |
| 4 | XTO | Digital Output | Crystal output |
| 5 | MFP10 | Digital Output | Multi-Function Pin (MFP) 10. See Table 1 for details of all MFP pins. |
| 6 | MFP9 | Digital Output | Multi-Function Pin (MFP) 9. See Table 1 for details of all MFP pins. |
| 7 | MFP8 | Digital Input/Output | Multi-Function Pin (MFP) 8. See Table 1 for details of all MFP pins. |
| 8 | MFP7 | Digital Input/Output | Multi-Function Pin (MFP) 7. See Table 1 for details of all MFP pins. |
| 9 | MFP6 | Digital Input/Output | Multi-Function Pin (MFP) 6. See Table 1 for details of all MFP pins. |
| 10 | SPDIFOP | Digital Output | S/PDIF transmitter output. |
| 11 | MFP5 | Digital Input/Output | Multi-Function Pin (MFP) 5. See Table 1 for details of all MFP pins. |
| 12 | MFP4 | Digital Input/Output | Multi-Function Pin (MFP) 4. See Table 1 for details of all MFP pins. |
| 13 | MFP3 | Digital Input/Output | Multi-Function Pin (MFP) 3. See Table 1 for details of all MFP pins. |
| 14 | SPDIFIN1 | Digital Input | S/PDIF receiver input 1 |
| 15 | CLKOUT | Digital Output | PLL or crystal oscillator clock output |
| 16 | DVDD | Supply | Digital positive supply |
| 17 | DGND | Supply | Digital ground |
| 18 | MUTE | Digital Input/Output | DAC mute-all Input / All-DAC Infinite Zero Detect (IZD) flag output |
| 19 | DIN1 | Digital Input | Primary Audio Interface (PAIF) receiver data input 1 |
| 20 | DIN2 | Digital Input | Primary Audio Interface (PAIF) receiver data input 2 |
| 21 | DIN3 | Digital Input | Primary Audio Interface (PAIF) receiver data input 3 |
| 22 | PAIFRX_LRCLK | Digital Input/Output | Primary Audio Interface (PAIF) receiver left/right word clock |
| 23 | PAIFRX_BCLK | Digital Input/Output | Primary Audio Interface (PAIF) receiver bit clock |
| 24 | MCLK | Digital Input/Output | System Master clock; 256, 384, 512, 768, 1024 or 1152 fs |
| 25 | DOUT | Digital Output | Primary Audio Interface (PAIF) transmitter data output |
| 26 | PAIFTX_LRCLK | Digital Input/Output | Primary audio interface transmitter left/right word clock |
| 27 | MFP1 | Digital Input/Output | Multi-Function Pin (MFP) 1. See Table 1 for details of all MFP pins. |
| 28 | MFP2 | Digital Input/Output | Multi-Function Pin (MFP) 2. See Table 1 for details of all MFP pins. |
| 29 | HWMODE | Digital Input | Configures control to be either Software Mode or Hardware Mode |
| 30 | SWMODE | Digital Input/Output | Configures software interface to be either 2-wire or 3-wire. See note 2. |
| 31 | SDO | Digital Output | 3-wire control interface data output. See note 3. |
| 32 | SDIN | Digital Input/Output | Control interface data input (and output under 2-wire control) |
| 33 | SCLK | Digital Input | Control interface clock |
| 34 | CSB | Digital Input | 3-wire control interface latch signal / device address selection |
| 35 | AINR | Analogue Input | ADC Right Channel Input |
| 36 | AINL | Analogue Input | ADC Left Channel Input |
| 37 | ADCREFP | Analogue Output | ADC reference buffer decoupling pin; 10uF external decoupling |
| 38 | VMID | Analogue Output | Midrail divider decoupling pin; 10uF external decoupling |
| 39 | AGND | Supply | Analogue ground |
| 40 | AVDD | Supply | Analogue positive supply |
| 41 | VOUT1L | Analogue Output | DAC channel 1 left output |
| 42 | VOUT1R | Analogue Output | DAC channel 1 right output |
| 43 | VOUT2L | Analogue Output | DAC channel 2 left output |
| 44 | VOUT2R | Analogue Output | DAC channel 2 right output |
| 45 | VREFP | Analogue Input | DAC and ADC positive reference |
| 46 | VREFN | Analogue Input | DAC and ADC ground reference |

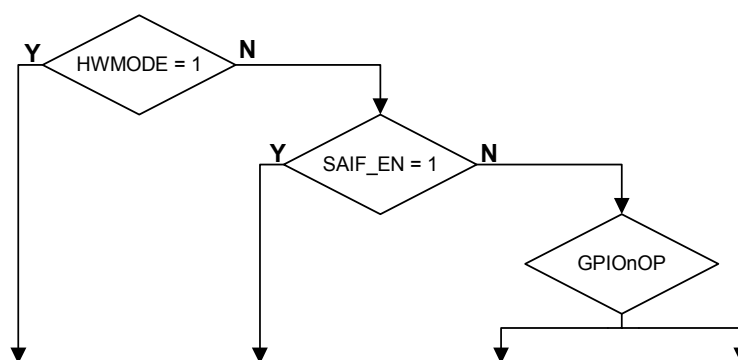
| PIN | NAME | TYPE | DESCRIPTION |
|-----|--------|-----------------|----------------------------|
| 47 | VOUT3L | Analogue Output | DAC channel 3 left output |
| 48 | VOUT3R | Analogue Output | DAC channel 3 right output |

Notes :

1. Digital input pins have Schmitt trigger input buffers. Pins 32, 33, 34 are 5V tolerant.
2. In hardware control mode, pin 30 is used for UNLOCK flag output.
3. In hardware control mode, pin 31 is used for NON_AUDIO flag output.

MULTI-FUNCTION PINS

The WM8580 has 8 Multi-Function Input/Output pins (MFP1 etc.). The function and direction (input/output) of these pins are configured using the HWMODE input pin and software register control as shown below. If HWMODE is set, the MFPs have the function shown in column 1 of Table 1. If HWMODE is not set, and the register SAIF_EN is set, the MFPs have the function shown in column 2. Otherwise, the GPIO registers determine the MFP function as shown in columns 3 and 4.



| PIN NAME | HARDWARE CONTROL MODE FUNCTION 1 | SECONDARY AUDIO INTERFACE FUNCTION 2 | S/PDIF INPUT & INDEPENDENT CLOCKING 3 | GENERAL PURPOSE OUTPUT FUNCTION 4 |
|----------|-------------------------------------|---|--|--------------------------------------|
| MFP1 | PAIFTX_BCLK | n/a ¹ | PAIFTX_BCLK ² | GPO1 |
| MFP2 | ADCMCLK | n/a ¹ | ADCMCLK ³ | GPO2 |
| MFP3 | DR1 | n/a ¹ | SPDIFIN2 | GPO3 |
| MFP4 | DR2 | n/a ¹ | SPDIFIN3 | GPO4 |
| MFP5 | DR3 | n/a ¹ | SPDIFIN4 | GPO5 |
| MFP6 | DR4 | SAIF_BCLK | GPO6 | GPO6 |
| MFP7 | ALLPD | SAIF_LRCLK | GPO7 | GPO7 |
| MFP8 | C | SAIF_DIN | GPO8 | GPO8 |
| MFP9 | SFRM_CLK | SAIF_DOUT | GPO9 | GPO9 |
| MFP10 | 192BLK | n/a ¹ | GPO10 | GPO10 |

Table 1 Multi-Function Pin Configuration**Notes:**

1. These pins are not used as part of the Secondary Audio Interface, so their function is that of either Column 3 or Column 4.
2. MFP1 usage can be described as follows:
IF (ADC_CLKSEL = MCLK) AND (PAIFTXMS_CLKSEL = MCLK) THEN
MFP1 = GPO1;
ELSE
MFP1 = PAIFTX_BCLK ; (default)

Notes for MFP1:

ADC_CLKSEL selected in REG 8, default is ADC_MCLK.

PAIFTXMS_CLKSEL selects PLLACLK if PAIF sources SPDIF Rx, otherwise PAIFTXMS_CLKSEL selects ADC_CLK (register 8)

3. MFP2 usage can be described as follows:

IF (ADC_CLKSEL \neq ADCMCLK) (controlled by reg 8)

AND (TX_CLKSEL \neq ADCMCLK) (controlled by reg 8)

AND (SAIFMS_CLKSEL \neq ADCMCLK) THEN (controlled by reg 8)

MFP2 = GPO2;

ELSE

MFP2 = ADCMCLK;

| PIN FUNCTION | TYPE | DESCRIPTION |
|--------------|----------------------|---|
| PAIFTX_BCLK | Digital Input/Output | Primary Audio Interface Transmitter (PAIFTX) Bit Clock |
| ADCMCLK | Digital Input | Master ADC clock; 256fs, 384fs, 512fs, 786fs, 1024fs or 1152fs |
| SAIF_DIN | Digital Input | Secondary Audio Interface (SAIF) Receiver data input |
| SAIF_DOUT | Digital Output | Secondary Audio Interface (SAIF) Transmitter data output |
| SAIF_BCLK | Digital Input/Output | Secondary Audio Interface (SAIF) Bit Clock |
| SAIF_LRCLK | Digital Input/Output | Secondary Audio Interface (SAIF) Left/Right Word Clock |
| SPDIFIN2/3/4 | Digital Input | S/PDIF Receiver Input |
| GPO1 – GPO10 | Digital Output | General Purpose Output |
| DR1/2/3/4 | Digital Input | Internal Digital Routing Configuration in Hardware Mode |
| ALLPD | Digital Input | Chip Powerdown in Hardware Mode |
| C | Digital Output | Recovered channel-bit for current S/PDIF sub-frame |
| SFRM_CLK | Digital Output | Indicates current S/PDIF sub-frame: 1 = Sub-frame A 0 = Sub-frame B |
| 192BLK | Digital Output | Indicates start of S/PDIF 192-frame block. High for duration of frame 0. |

Table 2 Multi-Function Pin Description

ABSOLUTE MAXIMUM RATINGS

Absolute Maximum Ratings are stress ratings only. Permanent damage to the device may be caused by continuously operating at or beyond these limits. Device functional operating limits and guaranteed performance specifications are given under Electrical Characteristics at the test conditions specified.



ESD Sensitive Device. This device is manufactured on a CMOS process. It is therefore generically susceptible to damage from excessive static voltages. Proper ESD precautions must be taken during handling and storage of this device.

The WM8580 has been classified as MSL1, which has an unlimited floor life at 30°C / 85% Relative Humidity and therefore will not be supplied in moisture barrier bags.

| CONDITION | MIN | MAX |
|---|--------------------------|--------------------------|
| Digital supply voltage | -0.3V | +3.63V |
| Analogue supply voltage | -0.3V | +7V |
| PLL supply voltage | -0.3V | +5V |
| Voltage range digital inputs (SCLK, CSB & SDIN only) | DGND -0.3V | +7V |
| Voltage range digital inputs | DGND -0.3V | DVDD + 0.3V |
| Voltage range analogue inputs ¹ | AGND -0.3V PGND -0.3V | AVDD +0.3V PVDD +0.3V |
| Master Clock Frequency | | 37MHz |
| Operating temperature range, T_A | -40°C | +85°C |
| Storage temperature prior to soldering | 30°C max / 85% RH max | |
| Storage temperature after soldering | -65°C | +150°C |
| Pb Free Package body temperature (soldering 10 seconds) | | +260°C |
| Package body temperature (soldering 2 minutes) | | +183°C |

Notes: 1. Analogue and digital grounds must always be within 0.3V of each other.

RECOMMENDED OPERATING CONDITIONS

| PARAMETER | SYMBOL | TEST CONDITIONS | MIN | TYP | MAX | UNIT |
|---------------------------------|----------------------------|-----------------|------|-----|------|------|
| Digital supply range | DVDD | | 2.7 | | 3.6 | V |
| Analogue supply range | AVDD | | 2.7 | | 5.5 | V |
| PLL supply range | PVDD | | 3.3 | | 5.5 | V |
| Ground | AGND, VREFN, DGND, PGND | | | 0 | | V |
| Difference DGND to AGND/PGND | | | -0.3 | 0 | +0.3 | V |

Note: Digital supply DVDD must never be more than 0.3V greater than AVDD.

ELECTRICAL CHARACTERISTICS**Test Conditions**

AVDD, PVDD, VREFP = 5V, DVDD = 3.3V, AGND, VREFN = 0V, PGND, DGND = 0V, $T_A = +25^\circ\text{C}$, 1kHz Signal, $f_s = 48\text{kHz}$, 24-Bit Data, Slave Mode, MCLK, ADCMCLK = 256fs, $1V_{\text{rms}}$ Input Signal Level unless otherwise stated.

| PARAMETER | SYMBOL | TEST CONDITIONS | MIN | TYP | MAX | UNIT |
|--|--------|---|-----|------------------|-----|------------------|
| DAC Performance (Load = 10kΩ, 50pF) | | | | | | |
| 0dBFs Full scale output voltage | | | -6% | 1.0 x VREFP/5 | +6% | V_{rms} |
| Signal to Noise Ratio (See Terminology 1,2,4) | SNR | A-weighted, @ $f_s = 48\text{kHz}$ | 95 | 103 | | dB |
| | | Unweighted, @ $f_s = 48\text{kHz}$ | | 100 | | dB |
| | | A-weighted, @ $f_s = 48\text{kHz}$, AVDD = 3.3V | | 99 | | dB |
| | | A-weighted, @ $f_s = 96\text{kHz}$ | | 101 | | dB |
| | | Unweighted, @ $f_s = 96\text{kHz}$ | | 98 | | dB |
| | | A-weighted, @ $f_s = 96\text{kHz}$, AVDD = 3.3V | | 99 | | dB |
| | | A-weighted, @ $f_s = 192\text{kHz}$ | | 101 | | dB |
| | | Unweighted, @ $f_s = 192\text{kHz}$ | | 98 | | dB |
| | | A-weighted, @ $f_s = 192\text{kHz}$, AVDD = 3.3V | | 99 | | dB |
| Dynamic Range (See Terminology 2,4) | DNR | A-weighted, -60dB full scale input | 95 | 103 | | dB |
| Total Harmonic Distortion | THD | 1kHz, 0dB Full Scale @ $f_s = 48\text{kHz}$ | | -90 | -85 | dB |
| | | 1kHz, 0dB Full Scale @ $f_s = 96\text{kHz}$ | | -87 | | dB |
| | | 1kHz, 0dB Full Scale @ $f_s = 192\text{kHz}$ | | -84 | | dB |
| DAC Channel separation | | | | 100 | | dB |
| Mute Attenuation | | 1kHz Input, 0dB gain | | 100 | | dB |
| Output Offset Error | | | | 2 | | mV |

Test Conditions

AVDD, PVDD, VREFP = 5V, DVDD = 3.3V, AGND, VREFN = 0V, PGND, DGND = 0V, T_A = +25°C, 1kHz Signal, fs = 48kHz, 24-Bit Data, Slave Mode, MCLK, ADCMCLK = 256fs, 1V_{rms} Input Signal Level unless otherwise stated.

| PARAMETER | SYMBOL | TEST CONDITIONS | MIN | TYP | MAX | UNIT |
|---|-----------------|--|------------|------------------|------------|------------------|
| Power Supply Rejection Ratio (See note 4) | PSRR | 1kHz 100mV _{p-p} | | 50 | | dB |
| | | 20Hz to 20kHz 100mV _{p-p} | | 45 | | dB |
| ADC Performance | | | | | | |
| Full Scale Input Signal Level (for ADC 0dB Input) | | | | 1.0 x VREFP/5 | | V _{rms} |
| Input resistance | | | | 6 | | kΩ |
| Input capacitance | | | | 10 | | pF |
| Signal to Noise Ratio (See Terminology 1,2,4) | SNR | A-weighted, @ fs = 48kHz | 90 | 100 | | dB |
| | | Unweighted, @ fs = 48kHz | | 97 | | dB |
| | | A-weighted, @ fs = 48kHz, AVDD = 3.3V | | 97 | | dB |
| | | A-weighted, @ fs = 96kHz | | 97 | | dB |
| | | Unweighted, @ fs = 96kHz | | 94 | | dB |
| | | A-weighted, @ fs = 96kHz, AVDD = 3.3V | | 94 | | dB |
| | | A-weighted, @ fs = 192kHz | | 97 | | dB |
| | | Unweighted, @ fs = 192kHz | | 94 | | dB |
| | | A-weighted, @ fs = 192kHz, AVDD = 3.3V | | 94 | | dB |
| Total Harmonic Distortion | THD | 1kHz, -1dB Full Scale @ fs = 48kHz | | -87 | -80 | dB |
| | | 1kHz, -1dB Full Scale @ fs = 96kHz | | -86 | | dB |
| | | 1kHz, -1dB Full Scale @ fs = 192kHz | | -85 | | dB |
| Dynamic Range | DNR | -60dB FS | 90 | 100 | | |
| ADC Channel Separation | | 1kHz Input | | 97 | | dB |
| Channel Level Matching (See Terminology 4) | | 1kHz Signal | | 0.1 | | dB |
| Channel Phase Deviation | | 1kHz Signal | | 0.0001 | | Degree |
| Offset Error | | HPF On | | 0 | | LSB |
| | | HPF Off | | 100 | | LSB |
| Digital Logic Levels (CMOS Levels) | | | | | | |
| Input LOW level | V _{IL} | | | | 0.3 x DVDD | V |
| Input HIGH level | V _{IH} | | 0.7 x DVDD | | | V |
| Input leakage current | | | -1 | ±0.2 | +1 | μA |
| Input capacitance | | | | 5 | | pF |
| Output LOW | V _{OL} | I _{OL} =1mA | | | 0.1 x DVDD | V |
| Output HIGH | V _{OH} | I _{OH} =-1mA | 0.9 x DVDD | | | V |

Test Conditions

AVDD, PVDD, VREFP = 5V, DVDD = 3.3V, AGND, VREFN = 0V, PGND, DGND = 0V, T_A = +25°C, 1kHz Signal, fs = 48kHz, 24-Bit Data, Slave Mode, MCLK, ADCMCLK = 256fs, 1V_{rms} Input Signal Level unless otherwise stated.

| PARAMETER | SYMBOL | TEST CONDITIONS | MIN | TYP | MAX | UNIT |
|--|--------------------|--|----------------|---------|----------------|---------|
| Analogue Reference Levels | | | | | | |
| Reference voltage | V _{VMID} | | VREFP/2 – 50mV | VREFP/2 | VREFP/2 + 50mV | V |
| Potential divider resistance | R _{VMID} | VREFP to VMID and VMID to VREFN VMIDSEL = 1 | | 14 | | kΩ |
| | | VREFP to VMID and VMID to VREFN VMIDSEL = 0 | | 44 | | kΩ |
| S/PDIF Transceiver Performance | | | | | | |
| Jitter on recovered clock | | | | 50 | | ps |
| S/PDIF Input Levels CMOS MODE | | | | | | |
| Input LOW level | V _{IL} | | | | 0.3 X DVDD | V |
| Input HIGH level | V _{IH} | | 0.7 X DVDD | | | V |
| Input capacitance | | | | 1.25 | | pF |
| Input Frequency | | | | | 36 | MHz |
| S/PDIF Input Levels Comparator MODE | | | | | | |
| Input capacitance | | | | 10 | | pF |
| Input resistance | | | | 23 | | kΩ |
| Input frequency | | | | | 25 | MHz |
| Input Amplitude | | | 200 | | 0.5 X DVDD | mV |
| PLL | | | | | | |
| Period Jitter | | | | 80 | | ps(rms) |
| XTAL | | | | | | |
| Input XTI LOW level | V _{XIL} | | 0 | | 557 | mV |
| Input XTI HIGH level | V _{XIH} | | 853 | | | mV |
| Input XTI capacitance | C _{XJ} | | 3.32 | | 4.491 | pF |
| Input XTI leakage | I _{Xleak} | | 28.92 | | 38.96 | mA |
| Output XTO LOW | V _{XOL} | 15pF load capacitors | 86 | | 278 | mV |
| Output XTO HIGH | V _{XOH} | 15pF load capacitors | 1.458 | | 1.942 | V |
| Supply Current | | | | | | |
| Analogue supply current | | AVDD, VREFP = 5V | | 45 | | mA |
| Analogue supply current | | AVDD, VREFP = 3.3V | | 30 | | mA |
| Digital supply current | | DVDD = 3.3V | | 25 | | mA |
| Power Down | | | | 500 | | µA |

Notes:

- Ratio of output level with 1kHz full scale input, to the output level with all zeros into the digital input, measured 'A' weighted.
- All performance measurements done with 20kHz low pass filter, and where noted an A-weight filter. Failure to use such a filter will result in higher THD+N and lower SNR and Dynamic Range readings than are found in the Electrical Characteristics. The low pass filter removes out of band noise; although it is not audible, it may affect dynamic specification values.
- VMID decoupled with 10uF and 0.1uF capacitors (smaller values may result in reduced performance).
- PSSR measured with VMID set to high impedance

TERMINOLOGY

1. Signal-to-noise ratio (dB) - SNR is a measure of the difference in level between the full scale output and the output with no signal applied. (No Auto-zero or Automute function is employed in achieving these results).
2. Dynamic range (dB) - DNR is a measure of the difference between the highest and lowest portions of a signal. Normally a THD+N measurement at 60dB below full scale. The measured signal is then corrected by adding the 60dB to it. (e.g. THD+N @ -60dB= -32dB, DR= 92dB).
3. THD (dB) - THD is a ratio, of the rms values, of Distortion/Signal.
4. Stop band attenuation (dB) - Is the degree to which the frequency spectrum is attenuated (outside audio band).
5. Channel Separation (dB) - Also known as Cross-Talk. This is a measure of the amount one channel is isolated from the other. Normally measured by sending a full scale signal down one channel and measuring the other.
6. Pass-Band Ripple - Any variation of the frequency response in the pass-band region.

MASTER CLOCK TIMING

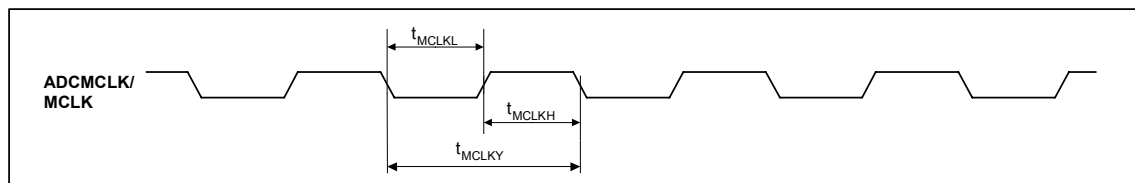


Figure 1 Master Clock Timing Requirements

Test Conditions

AVDD, PVDD, VREFP = 5V, DVDD = 3.3V, AGND, VREFN = 0V, PGND, DGND = 0V, T_A = +25°C

| PARAMETER | SYMBOL | TEST CONDITIONS | MIN | TYP | MAX | UNIT |
|--|-------------|-----------------|-------|-----|-------|------|
| System Clock Timing Information | | | | | | |
| ADCMCLK and MCLK System clock pulse width high | t_{MCLKH} | | 11 | | | ns |
| ADCMCLK and MCLK System clock pulse width low | t_{MCLKL} | | 11 | | | ns |
| ADCMCLK and MCLK System clock cycle time | t_{MCLKY} | | 28 | | | ns |
| ADCMCLK and MCLK Duty cycle | | | 40:60 | | 60:40 | |

Table 3 Master Clock Timing Requirements

DIGITAL AUDIO INTERFACE – MASTER MODE

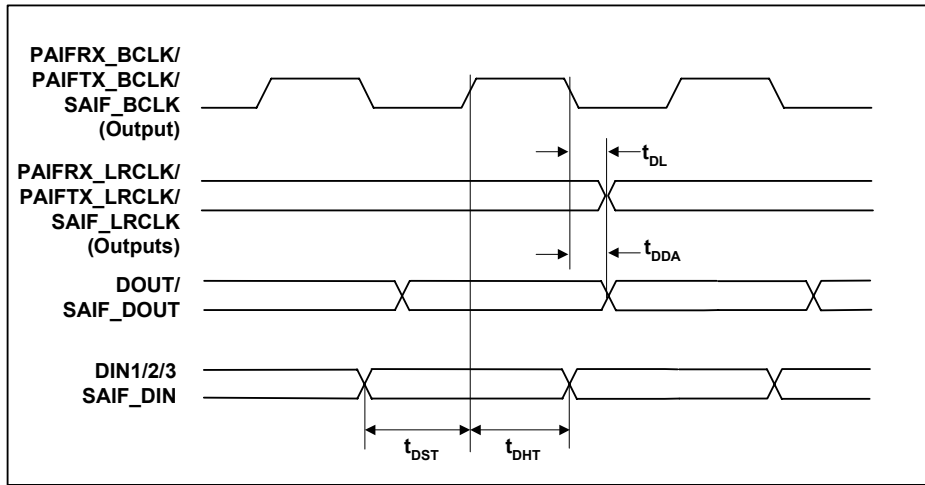


Figure 2 Digital Audio Data Timing – Master Mode

Test Conditions

AVDD, PVDD, VREFP = 5V, DVDD = 3.3V, AGND, VREFN, PGND, DGND = 0V, T_A = +25°C, Master Mode, fs = 48kHz, MCLK and ADCMCLK = 256fs unless otherwise stated.

| PARAMETER | SYMBOL | TEST CONDITIONS | MIN | TYP | MAX | UNIT |
|---|------------------|-----------------|-----|-----|-----|------|
| Audio Data Input Timing Information | | | | | | |
| PAIFTX_LRCLK/ PAIFRX_LRCLK/ SAIF_LRCLK propagation delay from PAIFTX_BCLK/ PAIFRX_BCLK/ SAIF_BCLK falling edge | t _{DL} | | 0 | | 10 | ns |
| DOUT/SAIF_DOUT propagation delay from PAIFTX_BCLK/ SAIF_BCLK falling edge | t _{DDA} | | 0 | | 10 | ns |
| DIN1/2/3/SAIF_DIN setup time to PAIFRX_BCLK/SAIF_BCLK rising edge | t _{DST} | | 10 | | | ns |
| DIN1/2/3/SAIF_DIN hold time from PAIFRX_BCLK/SAIF_BCLK rising edge | t _{DHT} | | 10 | | | ns |

Table 4 Digital Audio Data Timing – Master Mode

DIGITAL AUDIO INTERFACE – SLAVE MODE

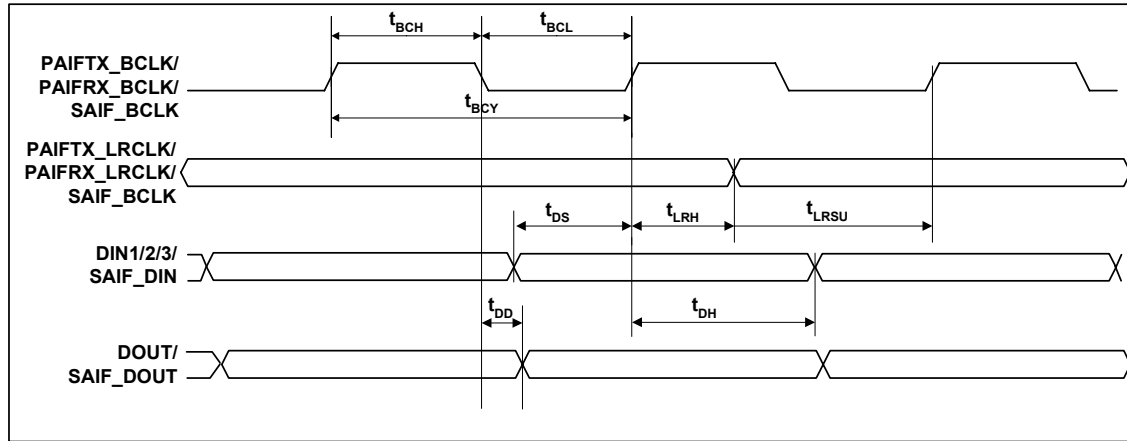


Figure 3 Digital Audio Data Timing – Slave Mode

Test Conditions

AVDD, PVDD = 5V, DVDD = 3.3V, AGND = 0V, PGND,DGND = 0V, T_A = +25°C, Slave Mode, fs = 48kHz, MCLK and ADCMCLK = 256fs unless otherwise stated.

| PARAMETER | SYMBOL | TEST CONDITIONS | MIN | TYP | MAX | UNIT |
|---|-------------------|-----------------|-----|-----|-----|------|
| Audio Data Input Timing Information | | | | | | |
| PAIFTX_BCLK/ PAIFRX_BCLK/SAIF_BCLK cycle time | t _{BCY} | | 50 | | | ns |
| PAIFTX_BCLK/ PAIFRX_BCLK/SAIF_BCLK pulse width high | t _{BCH} | | 20 | | | ns |
| PAIFTX_BCLK/ PAIFRX_BCLK/SAIF_BCLK pulse width low | t _{BCL} | | 20 | | | ns |
| PAIFTX_LRCLK/ PAIFRX_LRCLK/SAIF_BCLK set-up time to PAIFTX_BCLK/ PAIFRX_BCLK/SAIF_BCLK rising edge | t _{LRSU} | | 10 | | | ns |
| PAIFTX_LRCLK/ PAIFRX_LRCLK/ SAIF_LRCLK hold time from PAIFTX_BCLK/ PAIFRX_BCLK/SAIF_BCLK rising edge | t _{LRH} | | 10 | | | ns |
| DIN1/2/3/SAIF_DIN set-up time to PAIFRX_BCLK/ SAIF_BCLK rising edge | t _{DS} | | 10 | | | ns |
| DIN1/2/3/SAIF_DIN hold time from PAIFRX_BCLK/SAIF_BCLK rising edge | t _{DH} | | 10 | | | ns |
| DOUT/SAIF_DOUT propagation delay from PAIFTX_BCLK/SAIF_BCLK falling edge | t _{DD} | | 0 | | 10 | ns |

Table 5 Digital Audio Data Timing – Slave Mode

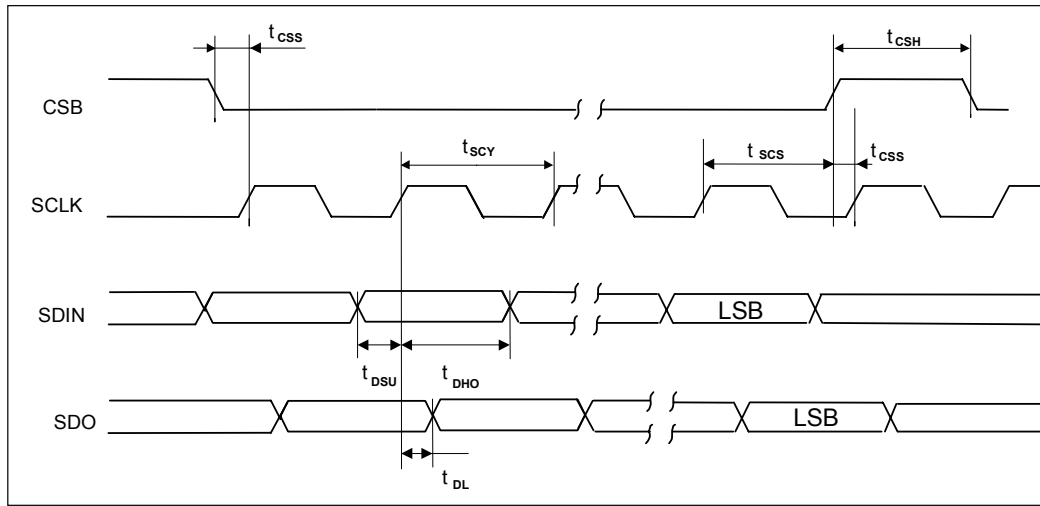
CONTROL INTERFACE TIMING – 3-WIRE MODE

Figure 4 SPI Compatible Control Interface Input Timing

Test Conditions

AVDD, PVDD = 5V, DVDD = 3.3V, AGND, PGND, DGND = 0V, $T_A = +25^\circ\text{C}$, $f_s = 48\text{kHz}$, MCLK and ADCMCLK = 256fs unless otherwise stated

| PARAMETER | SYMBOL | MIN | TYP | MAX | UNIT |
|---|-----------|-------|-----|-------|------|
| SCLK rising edge to CSB rising edge | t_{SCS} | 60 | | | ns |
| SCLK pulse cycle time | t_{SCY} | 80 | | | ns |
| SCLK duty cycle | | 40/60 | | 60/40 | ns |
| SDIN to SCLK set-up time | t_{DSU} | 20 | | | ns |
| SDIN hold time from SCLK rising edge | t_{DHO} | 20 | | | ns |
| SDO propagation delay from SCLK rising edge | t_{DL} | | | 5 | ns |
| CSB pulse width high | t_{CSH} | 20 | | | ns |
| CSB rising/falling to SCLK rising | t_{CSS} | 20 | | | ns |
| SCLK glitch suppression | t_{ps} | 2 | | 8 | ns |

Table 6 3-Wire SPI Compatible Control Interface Input Timing Information

CONTROL INTERFACE TIMING – 2-WIRE MODE

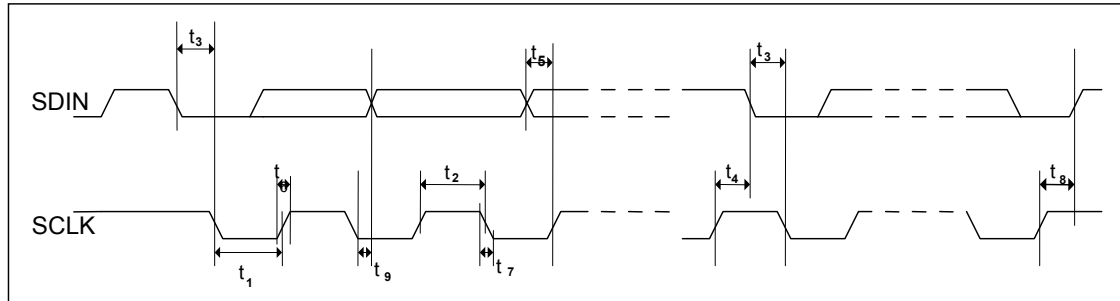


Figure 5 Control Interface Timing – 2-Wire Serial Control Mode

Test Conditions

AVDD, PVDD = 5V, DVDD = 3.3V, AGND, PGND, DGND = 0V, $T_A = +25^\circ\text{C}$, $f_s = 48\text{kHz}$, MCLK and ADCMCLK = 256fs unless otherwise stated

| PARAMETER | SYMBOL | MIN | TYP | MAX | UNIT |
|---|----------|-----|-----|-----|------|
| Program Register Input Information | | | | | |
| SCLK Frequency | | 0 | | 526 | kHz |
| SCLK Low Pulse-Width | t_1 | 1.3 | | | us |
| SCLK High Pulse-Width | t_2 | 600 | | | ns |
| Hold Time (Start Condition) | t_3 | 600 | | | ns |
| Setup Time (Start Condition) | t_4 | 600 | | | ns |
| Data Setup Time | t_5 | 100 | | | ns |
| SDIN, SCLK Rise Time | t_6 | | | 300 | ns |
| SDIN, SCLK Fall Time | t_7 | | | 300 | ns |
| Setup Time (Stop Condition) | t_8 | 600 | | | ns |
| Data Hold Time | t_9 | | | 900 | ns |
| SCLK glitch suppression | t_{ps} | 0 | | 5 | ns |

Table 7 2-Wire Control Interface Timing Information

DEVICE DESCRIPTION

INTRODUCTION

WM8580 is a complete multi-channel CODEC with integrated S/PDIF transceiver. The device comprises three separate stereo DACs and a stereo ADC, in a single package, and controlled by either software or hardware interfaces.

The three stereo DAC outputs are ideal to implement a complete 5.1 channel surround system. Each DAC has its own digital volume control (adjustable in 0.5dB steps) with zero cross detection. With zero cross enabled, volume updates occur as a signal transitions through its zero point. This minimises audible clicks and 'zipper' noise as the gain values change.

Each stereo DAC has its own data input (DIN1/2/3) and shared word clock (PAIFRX_LRCLK), bit clock (PAIFRX_BCLK) and master clock (MCLK). The stereo ADC has data output (DOUT), word clock (PAIFTX_LRCLK), and bit clock (PAIFTX_BCLK). This allows the ADC to operate at a different sample rate to the DACs. In addition, a separate ADC master clock (ADCMCLK) can be used instead of MCLK for further flexibility.

There are two independent Digital Audio Interfaces, which may be configured to operate in either master or slave mode. In Slave mode, the LRCLKs and BCLKs are inputs. In Master mode, the LRCLKs and BCLKs are outputs.

The Audio Interfaces support Right Justified, Left Justified, I²S and DSP formats. Word lengths of 16, 20, 24 and 32 bits are available (with the exception of 32 bit Right Justified).

Operation using system clocks of 128fs, 192fs, 256fs, 384fs, 512fs, 768fs or 1152fs is provided. In Slave mode, selection between clock rates is automatically controlled. In master mode, the master clock to sample rate ratio is set by register control. Sample rates (fs) from less than 8ks/s up to 192ks/s are permitted providing the appropriate system clock is input.

The S/PDIF Transceiver is IEC-60958-3 compatible with 32k frames/s to 96k frames/s support. S/PDIF data can be input on one of four pins, and routed internally to the Audio Interfaces, DAC1, and S/PDIF transmitter. Error flags and status information can be read back over the serial interface, or output on GPO pins. The S/PDIF Transmitter can source data from the ADC, S/PDIF Receiver or Audio Interfaces. The Transceiver supports Consumer Mode Channel information, and transmitted Channel bits can be configured via register control.

The Digital Routing paths between all the interfaces can be configured by the user, as can the corresponding interface clocking schemes.

There are two PLLs, which can be independently configured to generate two system clocks for internal or external use.

The serial control interface is controlled by pins CSB, SCLK, and SDIN, which are 5V tolerant with TTL input thresholds, allowing the WM8580 to be used with DVDD = 3.3V and be controlled by a controller with 5V output. SDO allows status registers to be read back over the serial interface (SDO is not 5V tolerant).

The WM8580 may also be controlled in hardware mode, selected by the HWMODE pin. In hardware mode, limited control of internal functionality is available via the Multi-Function Pins (MFPs) and CSB, SCLK, SDIN and MUTE pins.

CONTROL INTERFACE OPERATION

Control of the WM8580 is implemented either in Hardware Control Mode or Software Control Mode. The method of control is determined by the state of the HWMODE pin. If the HWMODE pin is low, Software Control Mode is selected. If the HWMODE pin is high, Hardware Control Mode is selected. The Software Control Interface is described below and Hardware Control Mode is described on page 70

Software control is implemented with a 3-wire (3-wire write, 4-wire read, SPI compatible) or 2-wire read/write serial interface.

The interface configuration is determined by the state of the SWMODE pin. If the SWMODE pin is low, the 2-wire configuration is selected. If SWMODE is high the 3-wire SPI compatible configuration is selected.

| HWMODE | | SWMODE | |
|------------------|------------------|----------------|----------------|
| 0 | 1 | 0 | 1 |
| Software Control | Hardware Control | 2-wire control | 3-wire control |

Table 8 Hardware/Software Mode Setup

The control interface is 5V tolerant, meaning that the control interface input signals CSB, SCLK and SDIN may have an input high level of 5V while DVDD is 3V. Input thresholds are determined by DVDD.

3-WIRE (SPI COMPATIBLE) SERIAL CONTROL MODE WITH READ-BACK

SDIN is used to program data, SCLK is used to clock in the program data and CSB is used to latch the program data. SDIN is sampled on the rising edge of SCLK. The 3-wire interface write protocol is shown in Figure 6.

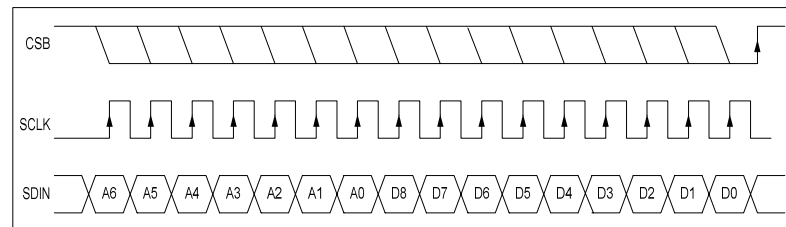


Figure 6 3-Wire SPI Compatible Interface

1. A[6:0] are Control Address Bits
2. D[8:0] are Control Data Bits
3. CSB is edge sensitive – the data is latched on the rising edge of CSB.

REGISTER READ-BACK

Not all registers can be read. Only the device ID (registers R0, R1 and R2) and the status registers can be read. These status registers are labelled as "read only" in the Register Map section.

The read-only status registers can be read back via the SDO pin. To enable readback the READEN control register bit must be set. The status registers can then be read using one of two methods, selected by the CONTREAD register bit.

Each time a read operation is performed after any write operation, the first read result may contain corrupt data. To ensure correct operation, the first read result should be ignored and a second read operation carried out. Subsequent register reads are unaffected until further register writes are performed.

With CONTREAD set, a single read-only register can be read back by writing to any other register or to a dummy register. The register to be read is determined by the READMUX[2:0] bits. When a write to the device is performed, the device will respond by returning the status byte in the register selected by the READMUX register bits. This 3-wire interface read back method using a write access is shown in Figure 7

| REGISTER ADDRESS | BIT | LABEL | DEFAULT | DESCRIPTION |
|------------------------|-----|------------------|---------|---|
| R52 READBACK 34h | 2:0 | READMUX [2:0] | 000 | Determines which status register is to be read back: 000 = Error Register 001 = Channel Status Register 1 010 = Channel Status Register 2 011 = Channel Status Register 3 100 = Channel Status Register 4 101 = Channel Status Register 5 110 = S/PDIF Status Register |
| | 3 | CONTREAD | 0 | Continuous Read Enable. 0 = Continuous read-back mode disabled 1 = Continuous read-back mode enabled |
| | 4 | READEN | 0 | Read-back mode enable. 0 = read-back mode disabled 1 = read-back mode enabled |

Table 9 Read-back Control Register

The 3-wire interface readback protocol is shown below. Note that the SDO pin is tri-state unless CSB is held low; therefore CSB must be held low for the duration of the read.

READEN=1 & CONTREAD=1

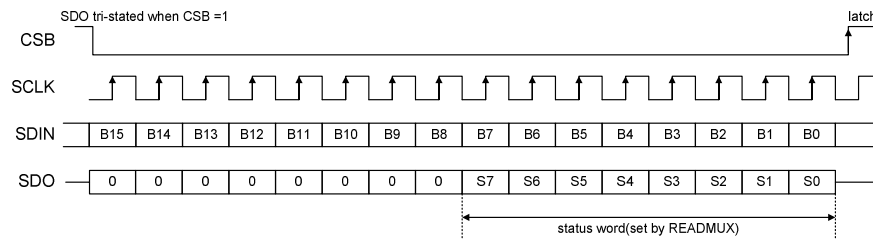


Figure 7 3-Wire SPI Compatible Interface Continuous Readback

If CONTREAD is set to zero, the user can read back directly from the register by writing to the register address, to which the device will respond with data. The protocol for this system is shown in Figure 8 below.

READEN=1 & CONTREAD=0

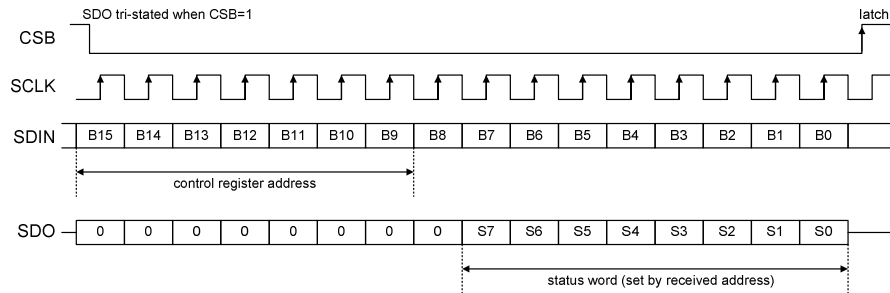


Figure 8 3-Wire SPI Compatible Control Interface Non-Continuous Readback

2-WIRE SERIAL CONTROL MODE WITH READ-BACK

The WM8580 supports software control via a 2-wire read/write serial bus. Many devices can be controlled by the same bus, and each device has a unique 7-bit address (see Table 10).

The controller indicates the start of data transfer with a high to low transition on SDIN while SCLK remains high. This indicates that a device address and data will follow. All devices on the 2-wire bus respond to the start condition and shift in the next eight bits on SDIN (7-bit address + Read/Write bit, MSB first). If the device address received matches the address of the WM8580, the WM8580 responds by pulling SDIN low on the next clock pulse (ACK). If the address is not recognised, the WM8580 returns to the idle condition and wait for a new start condition and valid address.

Once the WM8580 has acknowledged a correct address, the controller sends the first byte of control data (REGA(6:0), i.e. the WM8580 register address plus the first bit of register data). The WM8580 then acknowledges the first data byte by pulling SDIN low for one clock pulse. The controller then sends the second byte of control data (DIN(7:0), i.e. the remaining 8 bits of register data), and the WM8580 acknowledges by driving SDIN low.

The transfer of data is complete when there is a low to high transition on SDIN while SCLK is high. After receiving a complete address and data sequence the WM8580 returns to the idle state and waits for another start condition. If a start or stop condition is detected out of sequence at any point during data transfer (i.e. SDIN changes while SCLK is high), the device returns to the idle condition.

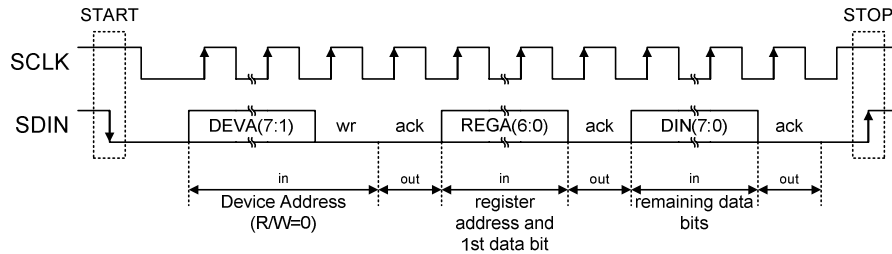


Figure 9 2-Wire Serial Control Interface

The WM8580 has two possible device addresses, which can be selected using the CSB pin.

| CSB STATE | DEVICE ADDRESS IN 2-WIRE MODE | ADDRESS (X=R/W BIT) | |
|--------------------|-------------------------------|---------------------|------|
| | | X=0 | X= 1 |
| Low or Unconnected | 0011010x | 0x34 | 0x35 |
| High | 0011011x | 0x36 | 0x37 |

Table 10 2-Wire MPU Interface Address Selection

REGISTER READBACK

The WM8580 allows readback of certain registers in 2-wire mode, with data output on the SDO pin. As in 3-wire mode, there are two methods of reading back data: continuous and non-continuous readback. Continuous readback is set by writing to the Readback Control register (see Table 9) to set READEN and CONTREAD to 1, and to set the READMUX bits to select the register to be read back. The status of this register can then be readback using the protocol shown in Figure 10.

READ STATUS WORD (READEN=1 & CONTREAD=1)

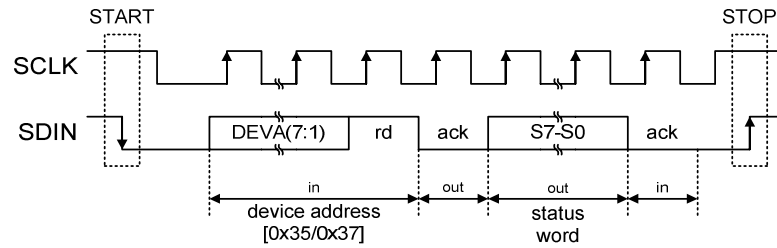


Figure 10 2-Wire Continuous Readback

If CONTREAD is set to zero, the user can read back directly from the register by writing to the register address, to which the device will respond with data. The protocol for this system is shown in Figure 11.

READ STATUS WORD (READEN=1 & CONTREAD=0)

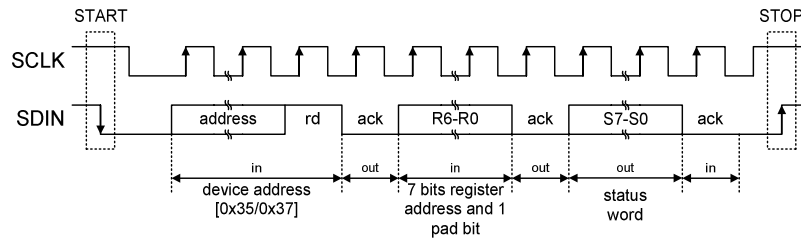


Figure 11 2-Wire Non-Continuous Readback

SOFTWARE REGISTER RESET

Writing to register R53 will cause a register reset, resetting all register bits to their default values.

| REGISTER ADDRESS | BIT | LABEL | DEFAULT | DESCRIPTION |
|---------------------|-----|-------|---------|---|
| R53 RESET 35h | 8:0 | RESET | n/a | Writing any data value to this register will apply a reset to the device registers. |

Table 11 Software Reset

DIGITAL AUDIO INTERFACES

Audio data is transferred to and from the WM8580 via the digital audio interfaces. There are two receive audio interfaces and two transmit audio interfaces. The digital routing options for these interfaces are described on page 22. Control of the audio interfaces is described below.

MASTER AND SLAVE MODES

The audio interfaces require both a left-right-clock (LRCLK) and a bit-clock (BCLK). These can be supplied externally (slave mode) or they can be generated internally (master mode). When in master mode, the BCLKs and LRCLKs for an interface are output on the corresponding BCLK and LRCLK pins. By default, all interfaces operate in slave mode, but can operate in master mode by setting the PAIFTXMS, PAIFRXMS and SAIFMS register bits. In Hardware Control Mode, the PAIF Transmitter can operate in master mode by setting the SDI pin.

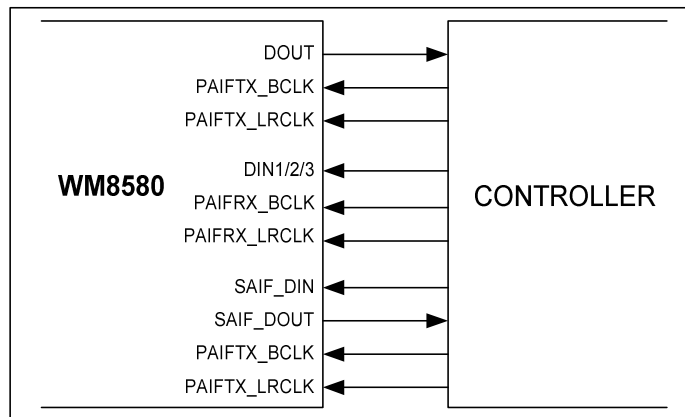


Figure 12 Slave Mode

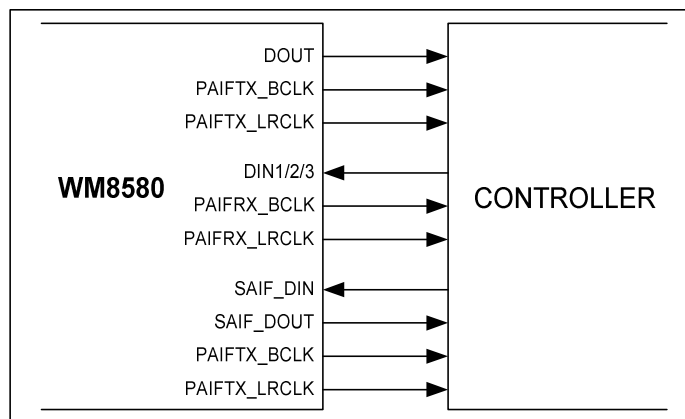


Figure 13 Master Mode

| REGISTER ADDRESS | BIT | LABEL | DEFAULT | DESCRIPTION |
|----------------------|-----|--------------|---------|---|
| R9 PAIF 1 09h | 5 | PAIFRX MS | 0 | PAIF Receiver Master/Slave Mode Select: 0 = Slave Mode 1 = Master Mode |
| R10 PAIF 2 0Ah | 5 | PAIFTX MS | 0 | PAIF Transmitter Master/Slave Mode Select: 0 = Slave Mode 1 = Master Mode |
| R11 SAIF 1 0Bh | 5 | SAIFMS | 0 | SAIF Master/Slave Mode Select: 0 = Slave Mode 1 = Master Mode |

Table 12 Master Mode Registers

The frequency of a master mode LRCLK is dependant on system clock and the RATE register control bits. Table 13 shows the settings for common sample rates and system clock frequencies.

| SAMPLING RATE (LRCLK) | MCLK CLOCK FREQUENCY (MHZ) | | | | | | |
|--------------------------|----------------------------|-----------|-------------|-------------|-------------|-------------|-------------|
| | 128fs | 192fs | 256fs | 384fs | 512fs | 768fs | 1152fs |
| | RATE =000 | RATE =001 | RATE =010 | RATE =011 | RATE =100 | RATE =101 | RATE =110 |
| 32kHz | 4.096 | 6.144 | 8.192 | 12.288 | 16.384 | 24.576 | 36.864 |
| 44.1kHz | 5.6448 | 8.467 | 11.2896 | 16.9344 | 22.5792 | 33.8688 | Unavailable |
| 48kHz | 6.144 | 9.216 | 12.288 | 18.432 | 24.576 | 36.864 | Unavailable |
| 88.2kHz | 11.2896 | 16.9344 | 22.5792 | 33.8688 | Unavailable | Unavailable | Unavailable |
| 96kHz | 12.288 | 18.432 | 24.576 | 36.864 | Unavailable | Unavailable | Unavailable |
| 176.4kHz | 22.5792 | 33.8688 | Unavailable | Unavailable | Unavailable | Unavailable | Unavailable |
| 192kHz | 24.576 | 36.864 | Unavailable | Unavailable | Unavailable | Unavailable | Unavailable |

Table 13 Master Mode MCLK / LRCLK Frequency Selection

| REGISTER ADDRESS | BIT | LABEL | DEFAULT | DESCRIPTION |
|----------------------|-----|----------------------|---------|--|
| R9 PAIF 1 09h | 2:0 | PAIFRX_RATE [2:0] | 010 | Master Mode MCLK/LRCLK Ratio: 000 = 128fs 001 = 192fs 010 = 256fs 011 = 384fs 100 = 512fs 101 = 768fs 110 = 1152fs |
| R10 PAIF 2 0Ah | 2:0 | PAIFTX_RATE [2:0] | 010 | |
| R11 SAIF 1 0Bh | 2:0 | SAIF_RATE [2:0] | 010 | |

Table 14 Master Mode RATE Registers

In master mode, the BCLKSEL register controls the number of BCLKs per LRCLK. If the MCLK:LRCLK ratio is 128fs or 192fs and BCLKSEL = 10, BCLKSEL is overwritten to be 128 BCLKs/LRCLK. Also, if BCLKSEL = 00, and LRCLK is 192fs or 1152fs, the generated BCLK has a mark-space ratio of 1:2.

| REGISTER ADDRESS | BIT | LABEL | DEFAULT | DESCRIPTION |
|----------------------|-----|-------------------------|---------|--|
| R9 PAIF 1 09h | 4:3 | PAIFRX_BCLKSEL [1:0] | 00 | Master Mode BCLK Rate: 00 = 64 BCLKs per LRCLK 01 = 32 BCLKs per LRCLK 10 = 16 BCLKs per LRCLK 11 = BCLK = System Clock. |
| R10 PAIF 2 0Ah | 4:3 | PAIFTX_BCLKSEL [1:0] | 00 | |
| R11 SAIF 1 0Bh | 4:3 | SAIF_BCLKSEL [1:0] | 00 | |

Table 15 Master Mode BCLK Control

AUDIO DATA FORMATS

Five popular interface formats are supported:

- Left Justified mode
- Right Justified mode
- I²S mode
- DSP Mode A
- DSP Mode B

All five formats send the MSB first and support word lengths of 16, 20, 24 and 32 bits, with the exception of 32 bit right justified mode, which is not supported.

Audio Data for each stereo channel is time multiplexed with the interface's Left-Right-Clock (LRCLK), indicating whether the left or right channel is present. The LRCLK is also used as a timing reference to indicate the beginning or end of the data words.

In Left Justified, Right Justified and I²S modes, the minimum number of BCLKs per LRCLK period is 2 times the selected word length. LRCLK must be high for a minimum of BCLK periods equivalent to the audio word length, and low for minimum of the same number of BCLK periods. Any mark to space ratio on LRCLK is acceptable provided these requirements are met.

In DSP modes A and B, left and right channels must be time multiplexed and input on the input data line on the Audio Interface. For the PAIF Receiver, all three left/right DAC channels are multiplexed on DIN1 (assuming DAC_SEL = 00). LRCLK is used as a frame synchronisation signal to identify the MSB of the first word. The minimum number of BCLKs per LRCLK period is six times the selected word length. Any mark to space ratio is acceptable on LRCLK provided the rising edge is correctly positioned.

LEFT JUSTIFIED MODE

In Left Justified mode, the MSB of the input data is sampled by the WM8580 on the first rising edge of BCLK following a LRCLK transition. The MSB of the output data changes on the same falling edge of BCLK as LRCLK and may be sampled on the next rising edge of BCLK. LRCLK is high during the left samples and low during the right samples.

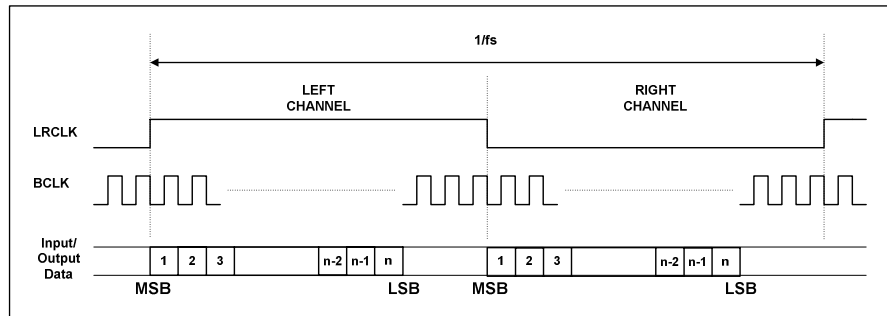


Figure 14 Left Justified Mode Timing Diagram

RIGHT JUSTIFIED MODE

In Right Justified mode, the LSB of input data is sampled on the rising edge of BCLK preceding a LRCLK transition. The LSB of the output data changes on the falling edge of BCLK preceding a LRCLK transition, and may be sampled on the next rising edge of BCLK. LRCLKs are high during the left samples and low during the right samples.

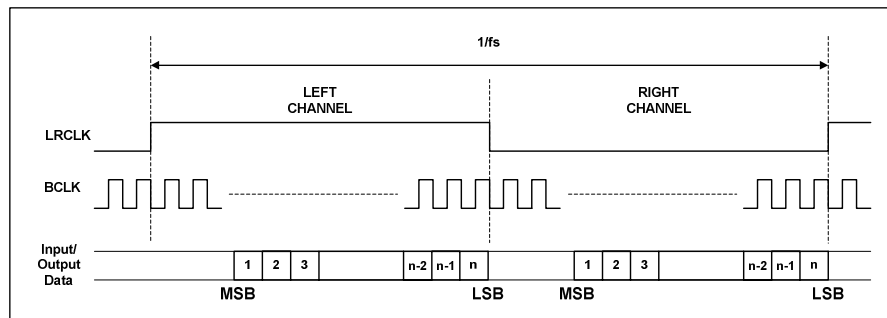


Figure 15 Right Justified Mode Timing Diagram

I²S MODE

In I²S mode, the MSB of DIN1/2/3 is sampled on the second rising edge of BCLK following a LRCLK transition. The MSB of the output data changes on the first falling edge of BCLK following an LRCLK transition, and may be sampled on the next rising edge of BCLK. LRCLKs are low during the left samples and high during the right samples.

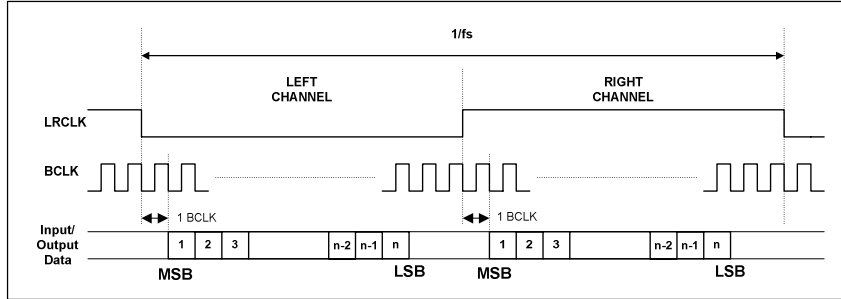


Figure 16 I²S Mode Timing Diagram

DSP MODE A

In DSP Mode A, the MSB of Channel 1 left data is sampled on the second rising edge of BCLK following a LRCLK rising edge. Channel 1 right data then follows. For the PAIF Receiver, Channels 2 and 3 follow as shown in Figure 17.

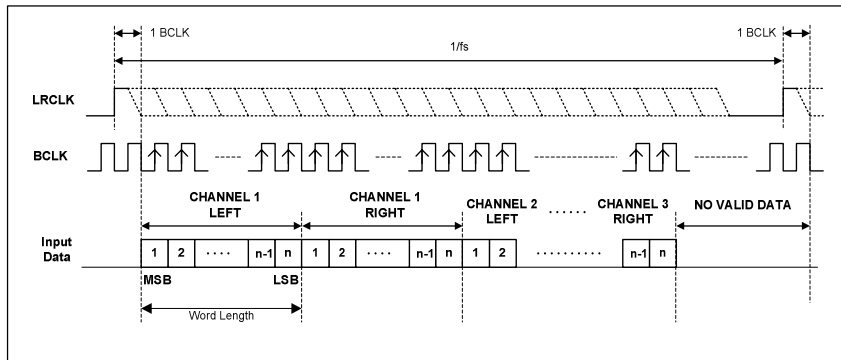


Figure 17 DSP Mode A Timing Diagram – PAIF Receiver Input Data

For the SAIF receiver, only stereo information is processed.

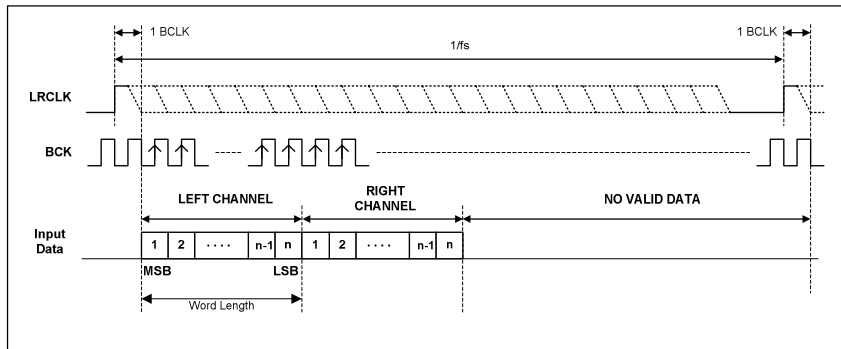


Figure 18 DSP Mode A Timing Diagram - SAIF Receiver Input Data

The MSB of the left channel of the output data changes on the first falling edge of BCLK following a low to high LRCLK transition and may be sampled on the rising edge of BCLK. The right channel data is contiguous with the left channel data.

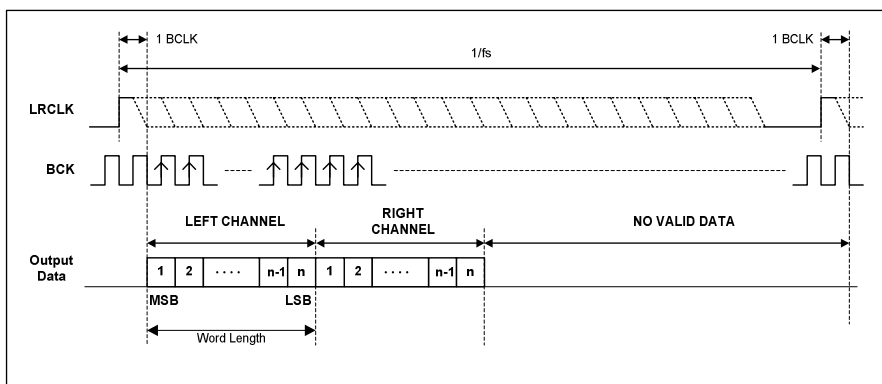


Figure 19 DSP Mode A Timing Diagram – PAIF/SAIF Transmitter Data

DSP MODE B

In DSP Mode B, the MSB of Channel 1 left data is sampled on the first BCLK rising edge following a LRCLK rising edge. Channel 1 right data then follows. For the PAIF Receiver, Channels 2 and 3 follow as shown in Figure 20.

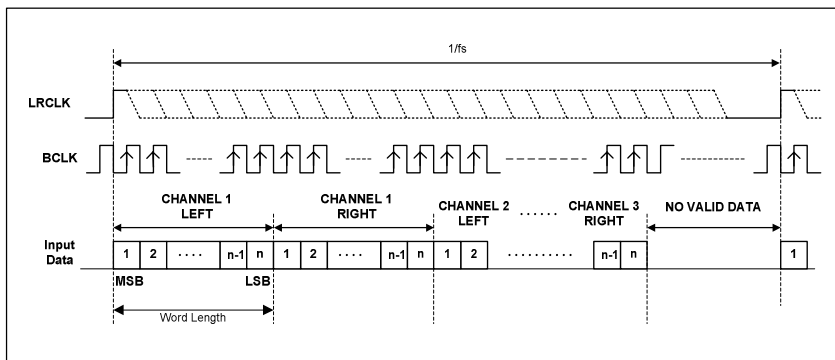


Figure 20 DSP Mode B Timing Diagram – PAIF Receiver Input Data

For the SAIF Receiver, only stereo information is processed.

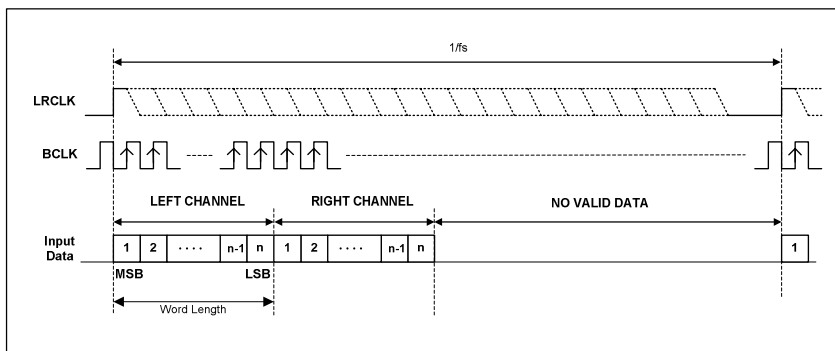


Figure 21 DSP Mode B Timing Diagram - SAIF Receiver Input Data

The MSB of the output data changes on the same falling edge of BCLK as the low to high LRCLK transition and may be sampled on the rising edge of BCLK. The right channel data is contiguous with the left channel data.

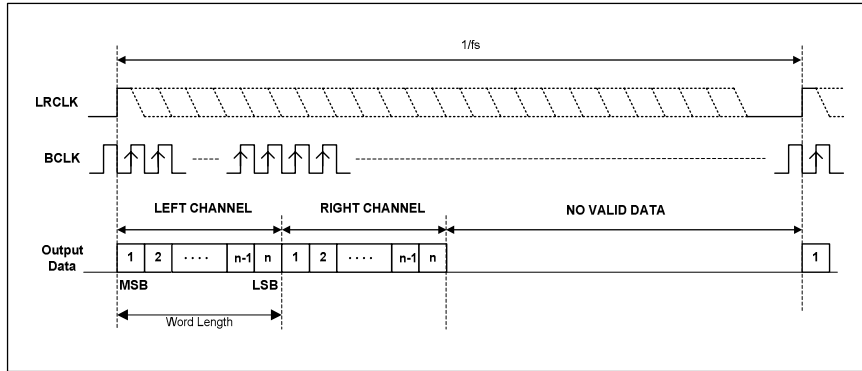


Figure 22 DSP Mode B Timing Diagram – PAIF/SAIF Transmitter Data

AUDIO INTERFACE CONTROL

The register bits controlling the audio interfaces are summarized below. Dynamically changing the audio data format may cause erroneous operation, and is not recommended.

Interface timing is such that the input data and LRCLK are sampled on the rising edge of the interface BCLK. Output data changes on the falling edge of the interface BCLK. By setting the appropriate bit clock polarity control register bits, e.g. PAIFRXBCP, the polarity of BCLK may be reversed, allowing input data and LRCLK to be sampled on the falling edge of BCLK. Setting the bit clock polarity register for a transmit interface results in output data changing on the rising edge of BCLK.

Similarly, the polarity of left/right clocks can be reversed by setting the appropriate left right polarity bits, e.g. PAIFRXLRP.

| REGISTER ADDRESS | BIT | LABEL | DEFAULT | DESCRIPTION |
|----------------------|-----|--------------------|---------|---|
| R12 PAIF 3 0Ch | 1:0 | PAIFRXFMT [1:0] | 10 | PAIF Receiver Audio Data Format Select 11: DSP Format 10: I ² S Format 01: Left justified 00: Right justified |
| | 3:2 | PAIFRXWL [1:0] | 10 | PAIF Receiver Audio Data Word Length 11: 32 bits (see Note 1,2) 10: 24 bits 01: 20 bits 00: 16 bits |
| | 4 | PAIFRXLRP | 0 | In LJ/RJ/I ² S modes 0 = LRCLK not inverted 1 = LRCLK inverted In DSP Format: 0 = DSP Mode A 1 = DSP Mode B |
| | 5 | PAIFRXBCP | 0 | PAIF Receiver BCLK polarity 0 = BCLK not inverted 1 = BCLK inverted |

| REGISTER ADDRESS | BIT | LABEL | DEFAULT | DESCRIPTION |
|----------------------|-----|--------------------|---------|---|
| R13 PAIF 4 0Dh | 1:0 | PAIFTXFMT [1:0] | 10 | PAIF Transmitter Audio Data Format Select 11: DSP Format 10: I ² S Format 01: Left justified 00: Right justified |
| | 3:2 | PAIFTXWL [1:0] | 10 | PAIF Transmitter Audio Data Word Length 11: 32 bits (see Note 1,2) 10: 24 bits 01: 20 bits 00: 16 bits |
| | 4 | PAIFTXLRP | 0 | In LJ/RJ/I ² S modes 0 = LRCLK not inverted 1 = LRCLK inverted In DSP Format: 0 = DSP Mode A 1 = DSP Mode B |
| | 5 | PAIFTXBCP | 0 | PAIF Receiver BCLK polarity 0 = BCLK not inverted 1 = BCLK inverted |
| R14 SAIF 2 0Eh | 1:0 | SAIFFMT [1:0] | 10 | SAIF Audio Data Format Select 11: DSP Format 10: I ² S Format 01: Left justified 00: Right justified |
| | 3:2 | SAIFWL [1:0] | 10 | SAIF Audio Data Word Length 11: 32 bits (see Note 1,2) 10: 24 bits 01: 20 bits 00: 16 bits |
| | 4 | SAIFLRP | 0 | In LJ/RJ/I ² S modes 0 = LRCLK not inverted 1 = LRCLK inverted In DSP Format: 0 = DSP Mode A 1 = DSP Mode B |
| | 5 | SAIFBCP | 0 | SAIF BCLK polarity 0 = BCLK not inverted 1 = BCLK inverted |
| | 6 | SAIF_EN | 0 | SAIF Enable 0 = SAIF disabled 1 = SAIF enabled |

Table 16 Audio Interface Control

Notes

- Right Justified mode does not support 32-bit data. If word length xAIFxxWL=11b in Right Justified mode, the word length is forced to 24 bits.

In all modes, the data is signed 2's complement. The digital filters internal signal paths process 24-bit data. If the device is programmed to receive 16 or 20 bit data, the device pads the unused LSBs with zeros. If the device is programmed into 32 bit mode, the 8 LSBs are ignored.

2. In 24 bit I²S mode, any data width of 24 bits or less is supported provided that LRCLK is high for a minimum of 24 BCLK cycles and low for a minimum of 24 BCLK cycles. If exactly 32 bit clocks occur in one full left/right clock period the interface will auto detect and configure a 16 bit data word length.

DAC FEATURES

DAC INPUT CONTROL

The Primary Audio Interface Receiver has a separate input pin for each stereo DAC. Any input pin can be routed to any DAC using the DACSEL register bits.

| REGISTER ADDRESS | BIT | LABEL | DEFAULT | DESCRIPTION |
|-----------------------------|-----|------------------|---------|---|
| R15 DAC Control 1 0Fh | 1:0 | DAC1SEL [1:0] | 00 | DAC digital input select 00 = DAC takes data from DIN1 01 = DAC takes data from DIN2 10 = DAC takes data from DIN3 |
| | 3:2 | DAC2SEL [1:0] | 01 | |
| | 5:4 | DAC3SEL [1:0] | 10 | |

Table 17 DAC Input Select Register

DAC OVERSAMPLING CONTROL

For sampling clock ratios of 256fs to 1152fs the DACs should be programmed to operate at 128 times oversampling rate. For sampling clock ratios of 128fs and 192fs, the DACs must be programmed to operate at 64 times oversampling rate. The DACOSR register bit selects between 128x and 64x oversampling.

| REGISTER ADDRESS | BIT | LABEL | DEFAULT | DESCRIPTION |
|----------------------|-----|--------|---------|--|
| R12 PAIF 3 0Ch | 6 | DACOSR | 0 | DAC Oversampling Rate Control 0= 128x oversampling 1= 64x oversampling |

Table 18 DAC Oversampling Register

DAC OUTPUT CONTROL

The DAC output control word determines how the left and right inputs to the audio interface are applied to the left and right DACs:

| REGISTER ADDRESS | BIT | LABEL | DEFAULT | DESCRIPTION | | |
|-----------------------------|---------|---------|---------|-------------|----------|-----------|
| R16 DAC Control 2 10h | 3:0 | PL[3:0] | 1001 | PL[3:0] | Left O/P | Right O/P |
| | | | | 0000 | Mute | Mute |
| | | | | 0001 | Left | Mute |
| | | | | 0010 | Right | Mute |
| | | | | 0011 | (L+R)/2 | Mute |
| | | | | 0100 | Mute | Left |
| | | | | 0101 | Left | Left |
| | | | | 0110 | Right | Left |
| | | | | 0111 | (L+R)/2 | Left |
| | | | | 1000 | Mute | Right |
| | | | | 1001 | Left | Right |
| | | | | 1010 | Right | Right |
| | | | | 1011 | (L+R)/2 | Right |
| | | | | 1100 | Mute | (L+R)/2 |
| | | | | 1101 | Left | (L+R)/2 |
| | | | | 1110 | Right | (L+R)/2 |
| 1111 | (L+R)/2 | (L+R)/2 | | | | |

Table 19 DAC Attenuation Register (PL)

ZERO FLAG OUTPUT

Each DAC channel has a “zero detect circuit” which detects when 1024 consecutive zero samples have been input. Should both channels of a DAC indicate a zero-detect (or if either DACPD or DMUTE is set for that DAC), then the Zero Flag for that DAC is asserted. The DZFM register bits determine which Zero Flag is visible on the MUTE and GPO pins.

| REGISTER ADDRESS | BIT | LABEL | DEFAULT | DESCRIPTION |
|-----------------------------|-----|-----------|---------|------------------------------|
| R16 DAC Control 2 10h | 6:4 | DZFM[2:0] | 000 | Selects the source for ZFLAG |
| | | | | 000 - All DACs Zero Flag |
| | | | | 001 - DAC1 Zero Flag |
| | | | | 010 - DAC2 Zero Flag |
| | | | | 011 - DAC3 Zero Flag |
| | | | | 100 - ZFLAG = 0 |
| | | | | 101 - ZFLAG = 0 |
| | | | | 110 - ZFLAG = 0 |
| 111 - ZFLAG = 0 | | | | |

Table 20 DZFM Register

INFINITE ZERO DETECT

Setting the IZD register bit will enable the internal Infinite Zero Detect function:

| REGISTER ADDRESS | BIT | LABEL | DEFAULT | DESCRIPTION |
|-----------------------------|-----|-------|---------|--|
| R16 DAC Control 2 10h | 7 | IZD | 0 | Infinite zero detection circuit control and automute control 0 = Infinite zero detect automute disabled 1 = Infinite zero detect automute enabled |

Table 21 IZD Register

With IZD enabled, applying 1024 consecutive zero input samples to a stereo input channel on any DAC will cause that stereo channel output to be muted. Mute will be removed as soon as either of those stereo channels receives a non-zero input.

DAC DIGITAL VOLUME CONTROL

The DAC volume may also be adjusted in the digital domain using independent digital attenuation control registers

| REGISTER ADDRESS | BIT | LABEL | DEFAULT | DESCRIPTION |
|--|-----|-------------|-------------------|---|
| R20 Digital Attenuation DACL 1 14h | 7:0 | LDA1[7:0] | 11111111 (0dB) | Digital Attenuation control for DAC1 Left Channel (DACL1) in 0.5dB steps. See Table 23 |
| | 8 | UPDATE | Not latched | Controls simultaneous update of all Attenuation Latches 0 = Store LDA1 in intermediate latch (no change to output) 1 = Apply LDA1 and update attenuation on all channels |
| R21 Digital Attenuation DACR 1 15h | 7:0 | RDA1[6:0] | 11111111 (0dB) | Digital Attenuation control for DAC1 Right Channel (DACR1) in 0.5dB steps. See Table 23 |
| | 8 | UPDATE | Not latched | Controls simultaneous update of all Attenuation Latches 0 = Store RDA1 in intermediate latch (no change to output) 1 = Apply RDA1 and update attenuation on all channels. |
| R22 Digital Attenuation DACL 2 16h | 7:0 | LDA2[7:0] | 11111111 (0dB) | Digital Attenuation control for DAC2 Left Channel (DACL2) in 0.5dB steps. See Table 23 |
| | 8 | UPDATE | Not latched | Controls simultaneous update of all Attenuation Latches 0 = Store LDA2 in intermediate latch (no change to output) 1 = Apply LDA2 and update attenuation on all channels. |
| R23 Digital Attenuation DACR 2 17h | 7:0 | RDA2[7:0] | 11111111 (0dB) | Digital Attenuation control for DAC2 Right Channel (DACR2) in 0.5dB steps. See Table 23 |
| | 8 | UPDATE | Not latched | Controls simultaneous update of all Attenuation Latches 0 = Store RDA2 in intermediate latch (no change to output) 1 = Apply RDA2 and update attenuation on all channels. |
| R24 Digital Attenuation DACL3 18h | 7:0 | LDA3[7:0] | 11111111 (0dB) | Digital Attenuation control for DAC3 Left Channel (DACL3) in 0.5dB steps. See Table 23 |
| | 8 | UPDATE | Not latched | Controls simultaneous update of all Attenuation Latches 0 = Store LDA3 in intermediate latch (no change to output) 1 = Apply LDA3 and update attenuation on all channels. |
| R25 Digital Attenuation DACR3 19h | 7:0 | RDA3[7:0] | 11111111 (0dB) | Digital Attenuation control for DAC3 Right Channel (DACR3) in 0.5dB steps. See Table 23 |
| | 8 | UPDATE | Not latched | Controls simultaneous update of all Attenuation Latches 0 = Store RDA3 in intermediate latch (no change to output) 1 = Apply RDA3 and update attenuation on all channels. |
| R28 Master Digital Attenuation 1Ch | 7:0 | MASTDA[7:0] | 11111111 (0dB) | Digital Attenuation control for all DAC channels in 0.5dB steps. See Table 23 |
| | 8 | UPDATE | Not latched | Controls simultaneous update of all Attenuation Latches 0 = Store gain in intermediate latch (no change to output) 1 = Apply gain and update attenuation on all channels. |

Table 22 Digital Attenuation Registers

Note: The volume update circuit of the WM8580 has two sets of registers; LDAx and RDAx. These can be accessed individually, or simultaneously by writing to MASTDA - Master Digital Attenuation. Writing to MASTDA will overwrite the contents of LDAx and RDAx.

| L/RDAx[7:0] | GAIN LEVEL |
|-------------|--------------|
| 00(hex) | -∞ dB (mute) |
| 01(hex) | -127.5dB |
| : | : |
| : | : |
| : | : |
| FE(hex) | -0.5dB |
| FF(hex) | 0dB |

Table 23 Digital Volume Control Gain Levels

Setting the DACATC register bit causes the left channel attenuation settings to be applied to both left and right channel DACs from the next audio input sample. No update to the attenuation registers is required for DACATC to take effect.

| REGISTER ADDRESS | BIT | LABEL | DEFAULT | DESCRIPTION |
|-----------------------------|-----|--------|---------|--|
| R19 DAC Control 5 13h | 6 | DACATC | 0 | Attenuator Control 0 = All DACs use attenuations as programmed. 1 = Right channel DACs use corresponding left DAC attenuations |

Table 24 DAC Attenuation Register (DACATC)

The digital volume control also incorporates a zero cross detect circuit which detects a transition through the zero point before updating the digital volume control with the new volume. This mechanism helps prevent pops and clicks during volume transitions, and is enabled by control bit DZCEN.

| REGISTER ADDRESS | BIT | LABEL | DEFAULT | DESCRIPTION |
|-----------------------------|-----|-------|---------|---|
| R19 DAC Control 5 13h | 5 | DZCEN | 0 | DAC Digital Volume Zero Cross Enable 0 = Zero Cross detect disabled 1 = Zero Cross detect enabled |

Table 25 Digital Zero Cross Register

MUTE MODES

The WM8580 has individual mutes for each of the three DAC channels. Setting DMUTE for a channel will apply a 'soft-mute' to the input of the digital filters for that channel. DMUTE[0] mutes DAC1 channel, DMUTE[1] mutes DAC2 channel and DMUTE[2] mutes DAC3 channel. Setting the MUTEALL register bit will apply a 'soft-mute' to the input of all the DAC digital filters. A soft-mute allows the user to control the analog output of the DAC such that the output waveform is looks like that shown in Figure 23.

The MUTE pin can also be used to apply soft-mute to the DAC selected by the DZFM register bits. However, if the MPDENB register bit is set, the MUTE pin will activate a soft-mute for all DACs.

| REGISTER ADDRESS | BIT | LABEL | DEFAULT | DESCRIPTION |
|-----------------------------|-----|------------|---------|---|
| R19 DAC Control 5 13h | 2:0 | DMUTE[2:0] | 000 | DAC channel soft mute enables: DMUTE[0] = 1, enable soft-mute on DAC1. DMUTE[1] = 1, enable soft-mute on DAC2. DMUTE[2] = 1, enable soft-mute on DAC3. |
| | 4 | MUTEALL | 0 | DAC channel master soft mute. Mutes all DAC channels: 0 = disable soft-mute on all DACs. 1 = enable soft-mute on all DACs. |
| | 7 | MPDENB | 0 | MUTE pin decode enable: 0 = MUTE activates soft-mute on DAC selected by DZFM 1 = MUTE activates softmute on all DACs |

Table 26 Mute Registers

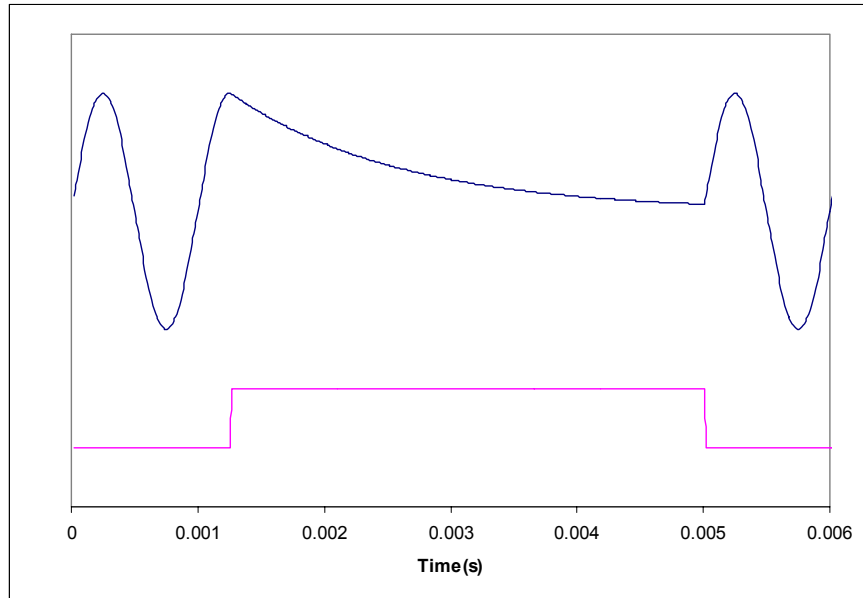


Figure 23 Application and Release of Mute

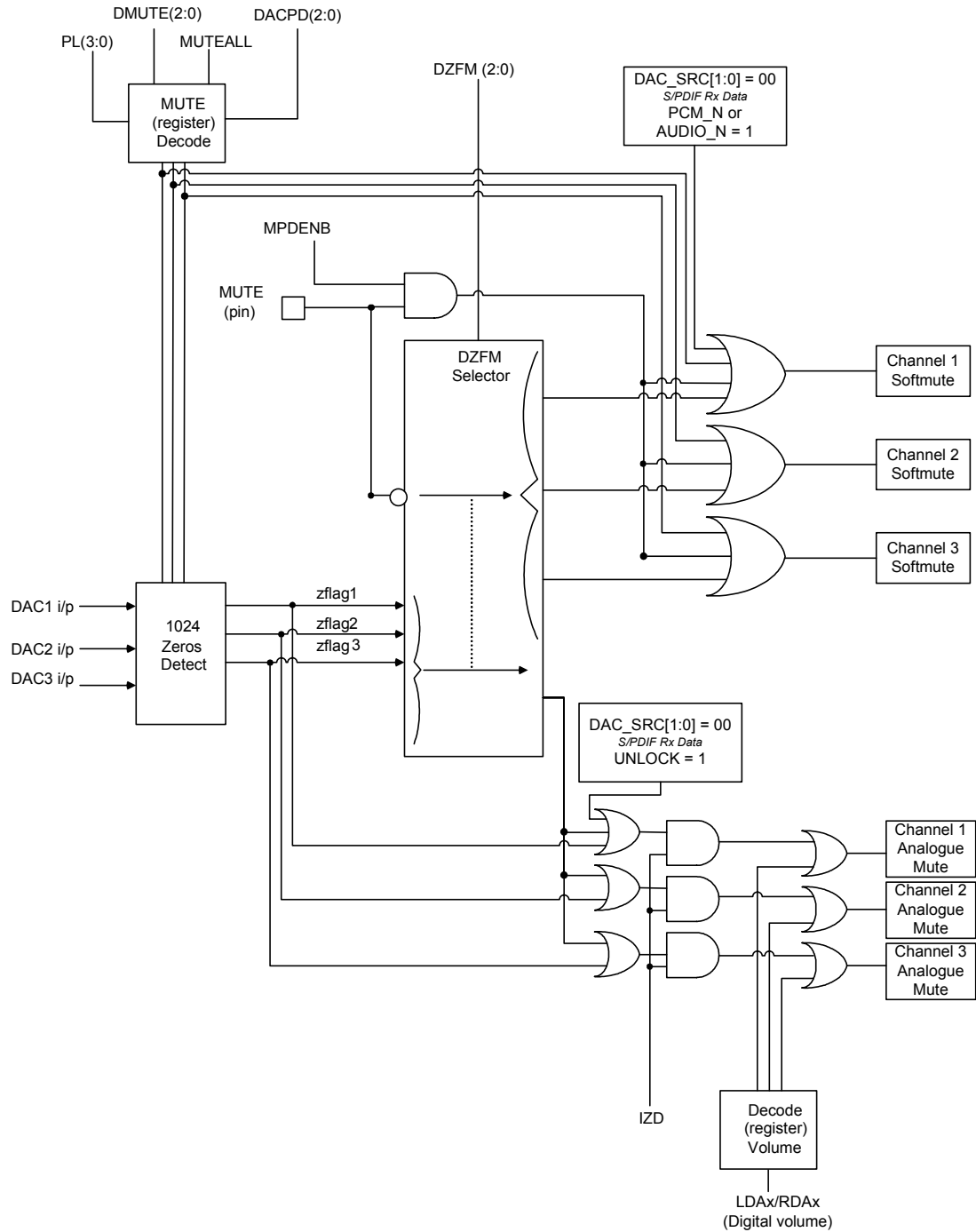


Figure 24 Mute Mode Block Diagram

Note: The above block diagram shows the operation of the various mute functions.

Figure 23 shows the application and release of MUTE whilst a full amplitude sinusoid is being played at 48kHz sampling rate. When MUTE (lower trace) is asserted, the output (upper trace) begins to decay exponentially from the DC level of the last input sample. The output will decay towards V_{MID} with a time constant of approximately 64 input samples. If MUTE is applied to all channels for 1024 or more input samples the DAC will be muted if IZD is set. When MUTE is de-asserted, the output will restart immediately from the current input sample.

All other means of muting the DAC channels will cause a much more abrupt muting of the output. This abrupt muting is referred to as an analog mute and it will switch the analog outputs immediately to V_{MID} .

DE-EMPHASIS MODE

A digital de-emphasis filter may be applied to each DAC channel. The de-emphasis filter for each stereo channel is enabled under the control of DEEMP[2:0]. DEEMP[0] enables the de-emphasis filter for DAC 1, DEEMP[1] enables the de-emphasis filter for DAC 2, and DEEMP[2] enables the de-emphasis filter for DAC 3.

| REGISTER ADDRESS | BIT | LABEL | DEFAULT | DESCRIPTION |
|-----------------------------|-----|------------|---------|---|
| R17 DAC Control 3 11h | 2:0 | DEEMP[2:0] | 000 | De-emphasis mode select: DEEMP[0] = 1, enable De-emphasis on DAC1. DEEMP[1] = 1, enable De-emphasis on DAC2. DEEMP[2] = 1, enable De-emphasis on DAC3. |
| | 4 | DEEMPALL | 0 | 0 = De-emphasis controlled by DEEMP[2:0] 1 = De-emphasis enabled on all DACs |

Table 27 De-emphasis Register

Refer to Figure 41, Figure 42, Figure 43 and Figure 44 for details of the De-Emphasis modes at different sample rates.

DAC OUTPUT PHASE

The DAC Phase control word determines whether the output of each DAC is non-inverted or inverted

| REGISTER ADDRESS | BIT | LABEL | DEFAULT | DESCRIPTION |
|-----------------------------|-----|----------------|---------|---|
| R18 DAC Control 4 12h | 5:0 | PHASE [5:0] | 111111 | Controls phase of DAC outputs 0 = inverted 1 = non-inverted PHASE[0] = 0 inverts phase of DAC1L output PHASE[1] = 0 inverts phase of DAC1R output PHASE[2] = 0 inverts phase of DAC2L output PHASE[3] = 0 inverts phase of DAC2R output PHASE[4] = 0 inverts phase of DAC3L output PHASE[5] = 0 inverts phase of DAC3R output |

Table 28 DAC Output Phase Register

ADC FEATURES

ADC HIGH-PASS FILTER DISABLE

The ADC digital filters incorporate a digital high-pass filter. By default, this is enabled but can be disabled by setting the ADCHPD register bit to 1. This allows the input to the ADC to be DC coupled.

| REGISTER ADDRESS | BIT | LABEL | DEFAULT | DESCRIPTION |
|-----------------------------|-----|--------|---------|---|
| R29 ADC Control 1 1Dh | 4 | ADCHPD | 0 | ADC high-pass filter disable 0 = high-pass filter enabled 1 = high-pass filter disabled |

Table 29 ADC Functions Register

ADC OVERSAMPLING RATE SELECT

The internal ADC signal processing operates at an oversampling rate of 128fs for all MCLK:LRCLK ratios. The exception to this is for operation with a 128fs or 192fs master clock, where the internal oversampling rate of the ADC is 64fs.

For ADC operation at 96kHz in 256fs or 384fs mode it is recommended that the user set the ADCOSR bit. This changes the ADC signal processing oversampling rate from 128fs to 64fs. Similarly, for ADC operation at 192kHz in 128fs or 192fs mode it is recommended that the user set the ADCOSR bit to change the oversampling rate from 64fs to 32fs.

| REGISTER ADDRESS | BIT | LABEL | DEFAULT | DESCRIPTION |
|-----------------------------|-----|--------|---------|---|
| R29 ADC Control 1 1Dh | 3 | ADCOSR | 0 | ADC oversample rate select 0 = 128/64x oversampling 1 = 64/32x oversampling |

Table 30 ADC Functions Register

ADC MUTE

As with the DAC, each ADC channel also has a mute control bit, which mutes the inputs to the ADC.

| REGISTER ADDRESS | BIT | LABEL | DEFAULT | DESCRIPTION |
|-----------------------------|-----|----------|---------|--|
| R29 ADC Control 1 1Dh | 0 | AMUTEL | 0 | ADC Mute select 0 : Normal Operation 1: mute ADC left |
| | 1 | AMUTER | 0 | ADC Mute select 0 : Normal Operation 1: mute ADC right |
| | 2 | AMUTEALL | 0 | ADC Mute select 0 : Normal Operation 1: mute both ADC channels |

Table 31 ADC Mute Register

DIGITAL ROUTING OPTIONS

The WM8580 has extremely flexible digital interface routing options, which are illustrated in Figure 25. It has S/PDIF Receiver, S/PDIF Transmitter, 3 Stereo DACs, a Stereo ADC, a Primary Audio Interface and a Secondary Audio Interface.

Each DAC has its own digital input pin DIN1/2/3. Internal multiplexers in the Primary Audio Interface Receiver allow the data received on any DIN pin to be routed to any DAC. Any DIN pin routed to DAC1 can also be routed to the S/PDIF transmitter and Secondary Audio Interface Transmitter. DAC1 may also be used to convert received S/PDIF data, or data received from the Secondary Audio Interface. DACs 2-3 take data only from the Primary Audio Interface. The Audio Interfaces can also output ADC data or received S/PDIF data.

The S/PDIF transmitter can output S/PDIF received data, ADC data, or data from either Audio Interface.

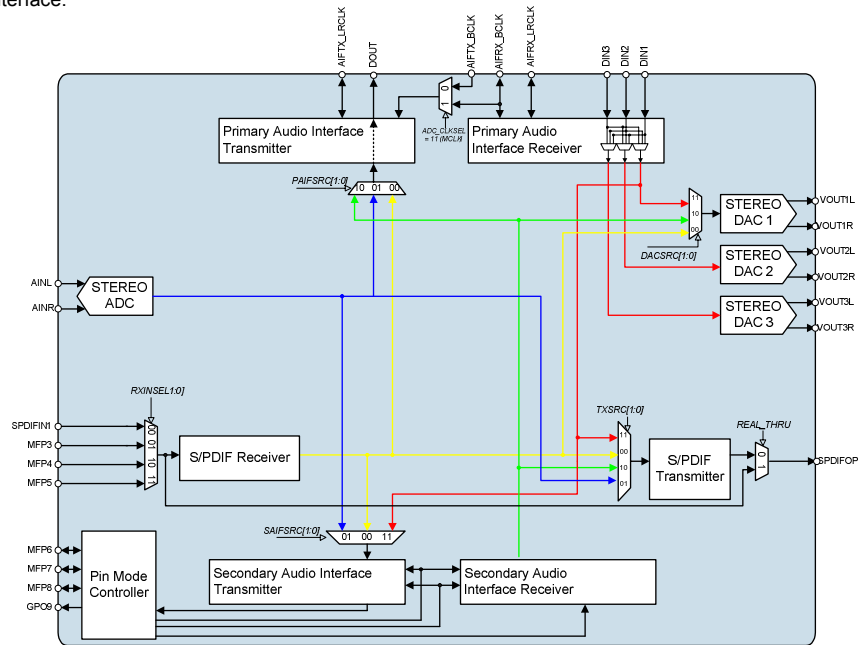


Figure 25 Digital Routing

The registers described below configure the digital routing options.

| REGISTER ADDRESS | BIT | LABEL | DEFAULT | DESCRIPTION |
|---------------------------|-----|---------------------|---------|--|
| R12 PAIF 3 0Ch | 8:7 | DAC_SRC [1:0] | 11 | DAC1 Source: 00 = S/PDIF received data. 10 = SAIF Receiver data 11 = PAIF Receiver data Note: When DAC_SRC = 00, DAC2/3 may be turned off, depending on RX2DAC_MODE. |
| R13 PAIF 4 0Dh | 8:7 | PAIFTX_SRC [1:0] | 01 | Primary Audio Interface Transmitter Source: 00 = S/PDIF received data. 01 = ADC digital output data. 10 = SAIF Receiver data |
| R14 SAIF 2 0Eh | 8:7 | SAIFTX_SRC [1:0] | 00 | Secondary Audio Interface Transmitter Source: 00 = S/PDIF received data. 01 = ADC digital output data. 11 = PAIF Receiver data |
| R30 SPDTXCHAN 0 1Eh | 1:0 | TXSRC [1:0] | 00 | S/PDIF Transmitter Data Source. 00 = S/PDIF received data(see REAL_THROUGH) 01 = ADC digital output data. 10 = SAIF Receiver data 11 = PAIF Receiver data |
| | 3 | REAL_THROUGH | 0 | S/PDIF Through Mode Control 0 = SPDIFOP pin sources output of S/PDIF Transmitter 1 = SPDIFOP pins sources output of S/PDIF IN Mux |

Table 32 Interface Source Select Registers

CLOCK SELECTION

To accompany the flexible digital routing options, the WM8580 offers a clock configuration scheme for each interface. By default, the user can choose the interface clock from MCLK, ADCMCLK, PLLACLK or PLLBCLK, with some restrictions which are autoconfigured. For example, if the S/PDIF receiver is routed to the DAC, appropriate interface clocks are autoconfigured. These are described in the following sections.

For some interfaces, the rate can be controlled either by external LRCLK (slave mode), internal LRCLK (master mode) or by control register. The available options are described below.

It is possible to override the autoconfiguration, allowing the user to manually select any available clock for any interface using the appropriate CLKSEL register bits.

DAC INTERFACE

The DAC_CLKSEL register selects the DAC clock source from MCLK, PLLACLK or PLLBCLK. If the digital routing has been set such that DAC1 is sourcing the S/PDIF Receiver, then PLLACLK is automatically selected, and DACs 2/3 are powered down by default.

A DAC can source data from 3 different places. The rate (OSR) at which the DACs operate is determined by the DAC Rate module, which divides down the MCLK signal. It calculates the OSR rate based on the digital routing setup, and selects between 128/192/256/384/512/768/1152fs

If DAC source = PAIFRX, then the PAIFRX_LRCLK is used to calculate the OSR of the DAC.

If DAC source = SAIFRX, then the SAIFRX_LRCLK is used to calculate the OSR of the DAC

If DAC source = SPDIFRX then either the SFRM_CLK (default) or the PAIFRX_LRCLK is used to calculate the OSR of the DAC. The selection of which clock to use is done using the RX2DAC_MODE selection bit.

If DAC1 source = S/PDIFRX, and DAC2/DAC3/DAC4 are not used then the rate generator uses the SFRM_CLK (the sub-frame clock),

If DAC2/3 are used to source the PAIFRX, then to synchronize all DACs together, the DAC rate generator needs to use a common LRCLK. In this case the PAIFRX_LRCLK should be used. This is done by setting the RX2DAC_MODE register bit, allowing the PAIF_LRCLK to be used to generate the sampling rate. In this case the S/PDIF sampling rate must be synchronised with PAIF_LRCLK. Also, when using the S/PDIF receiver, the PLLACLK and PLLBCLK are not available, and the MCLK applied to the DACs must be at a standard audio rate.

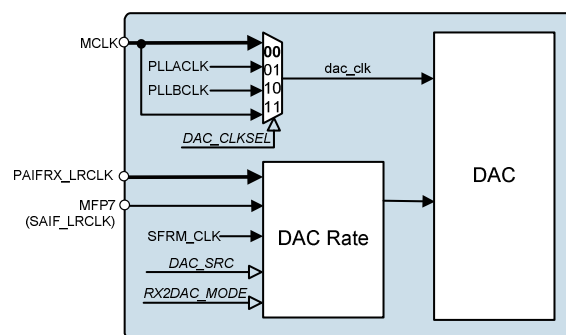


Figure 26 DAC Clock Selection

| REGISTER ADDRESS | BIT | LABEL | DEFAULT | DESCRIPTION |
|--------------------------------|-----|-------------|---------|---|
| R8 CLKSEL 08h | 1:0 | DAC_CLKSEL | 00 | DAC clock source 00 = MCLK pin 01 = PLLACLK 10 = PLLBCLK 11 = MCLK pin |
| R15 DAC Control 1 0Fh | 8 | RX2DAC_MODE | 0 | DAC oversampling rate and power down control (only valid when DAC_SRC = 00, DAC1 data sourced from S/PDIF receiver) 0 = SFRM_CLK determines oversampling rate, DACs 2/3 powered down 1 = PAIFRX_LRCLK determines oversampling rate, DACs 2/3 source PAIF Receiver |

Table 33 DAC Clock Control

ADC INTERFACE

The ADC_CLKSEL register selects the ADC clock source from ADCMCLK, PLLACLK, PLLBCLK, or MCLK. However, if the S/PDIF receiver is active, PLLACLK and PLLBCLK are invalid for ADC operation, so the choice is limited to ADCMCLK (default) or MCLK.

The rate that the ADC operates at is determined by the ADC Rate module. It calculates the rate based on the digital routing setup. If the ADC is sourced by the PAIF Transmitter, PAIFTX_LRCLK is used in the rate calculation. If the ADC is sourced by the SAIF Transmitter (and PAIF Transmitter has another source), SAIF_LRCLK is used in the rate calculation. If the S/PDIF Transmitter (only) is sourcing the ADC, then the rate is set by the ADC_RATE register bits.

The ADC clock source can be independent from the DACs and PLLs, however for optimum performance, it is recommended that where possible, clock sources on the WM8580 are synchronous. Performance may be degraded if this condition is not met.

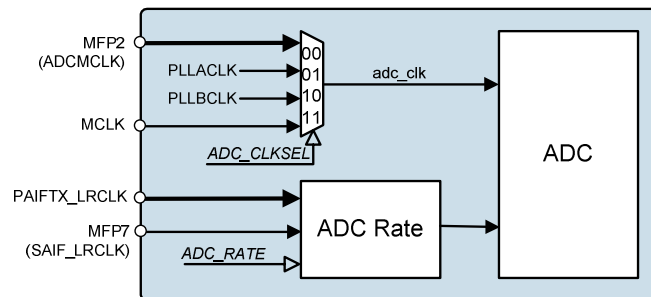


Figure 27 ADC Clock Selection

| REGISTER ADDRESS | BIT | LABEL | DEFAULT | DESCRIPTION |
|-----------------------------|-----|--------------|---------|---|
| R8 CLKSEL 08h | 3:2 | ADC_CLKSEL | 00 | ADC clock source 00 = ADCMCLK pin 01 = PLLACLK 10 = PLLBCLK 11 = MCLK pin |
| R29 ADC Control 1 1Dh | 7:5 | ADCRATE[2:0] | 010 | ADC Rate Control (only used when the S/PDIF Transmitter is the only interface sourcing the ADC) 000 = 128fs 001 = 192fs 010 = 256fs 011 = 384fs 100 = 512fs 101 = 768fs 110 = 1152fs |

Table 34 ADC Clock Control

S/PDIF INTERFACES

The TX_CLKSEL register selects the clock for the S/PDIF Transmitter from ADCMCLK, PLLACLK, PLLBCLK, or MCLK. The S/PDIF Receiver only uses PLLACLK, but both PLLACLK and PLLBCLK are unavailable in user mode when the S/PDIF receiver is active. If the digital routing has been configured such that the S/PDIF Transmitter is sourcing the S/PDIF Receiver, then PLLACLK is automatically selected.

The rate at which the S/PDIF Transmitter operates at is determined by the S/PDIF Transmitter Rate module. It calculates the rate based on the digital routing setup. When sourcing from the S/PDIF Receiver (default), the SFRM_CLK is used in the rate calculation. When sourcing from the PAIF Receiver, PAIFRX_LRCLK is used in the rate calculation. When sourcing from the SAIF Receiver, SAIFRX_LRCLK is used in the rate calculation. When sourcing the ADC, the rate is determined by either the PAIFTX_LRCLK (if the PAIF Transmitter also sources the ADC) or the ADC_RATE register.

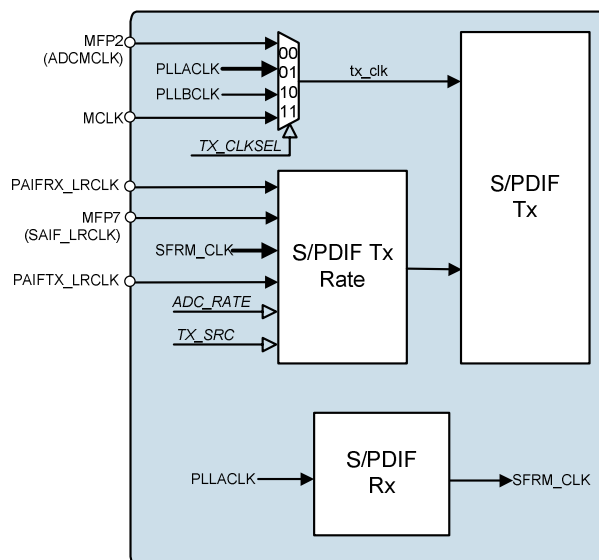


Figure 28 S/PDIF Clock Selection

| REGISTER ADDRESS | BIT | LABEL | DEFAULT | DESCRIPTION |
|---------------------|-----|-----------|---------|--|
| R8 CLKSEL 08h | 5:4 | TX_CLKSEL | 01 | S/PDIF Transmitter clock source 00 = ADCMCLK pin 01 = PLLACLK 10 = PLLBCLK 11 = MCLK pin |

Table 35 S/PDIF Transmitter Clock Control

PRIMARY AUDIO INTERFACE RECEIVER (PAIF RX)

The PAIF Receiver requires a left-right-clock (LRCLK) and a bit-clock (BCLK). These can be supplied externally (slave mode) or they can be generated internally by the WM8580 (master mode). The master mode LRCLK/BCLK are created by the Master Mode Clock Gen module. The control of this module is described on page 22. The clock supplied to this module is selected by the PAIFRXMS_CLKSEL register bits and can be MCLK, PLLACLK, or PLLBCLK.

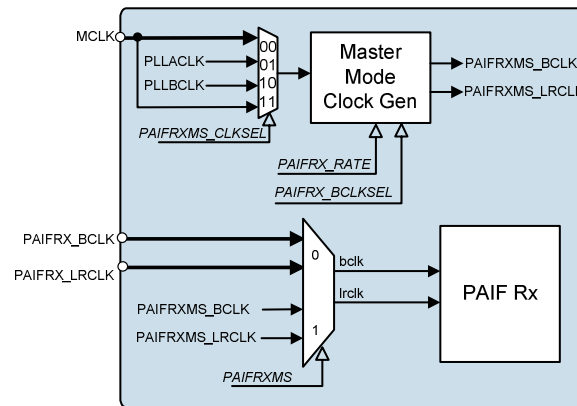


Figure 29 PAIF Receiver Clock Selection

| REGISTER ADDRESS | BIT | LABEL | DEFAULT | DESCRIPTION |
|---------------------|-----|-----------------|---------|--|
| R9 PAIF 1 09h | 7:6 | PAIFRXMS_CLKSEL | 00 | PAIF Receiver Master Mode clock source 00 = MCLK pin 01 = PLLACLK 10 = PLLBCLK 11 = MCLK pin |

Table 36 PAIF Receiver Master Mode Clock Control

PRIMARY AUDIO INTERFACE TRANSMITTER (PAIF TX)

The PAIF Transmitter requires a left-right-clock (LRCLK) and a bit-clock (BCLK). These can be supplied externally (slave mode) or they can be generated internally by the WM8580 (master mode). The master mode LRCLK/BCLK are created by the Master Mode Clock Generator module. The control of this module is described on page 22.

The clock supplied to this module can be ADCMCLK, PLLACLK, PLLBCLK, or MCLK and is selected by the internal signal *paiftxms_clksel*. If the PAIF Transmitter is sourcing the S/PDIF Receiver, it is recommended that the interface operate in master mode. For this path, *paiftxms_clksel* selects PLLACLK. For all other digital routing options, *paiftxms_clksel* automatically selects whichever clock the *adc_clk* is using.

If in slave mode, and *adc_clk* is set to be MCLK, then the PAIFRX_BCLK is used as the BCLK for the PAIF Transmitter.

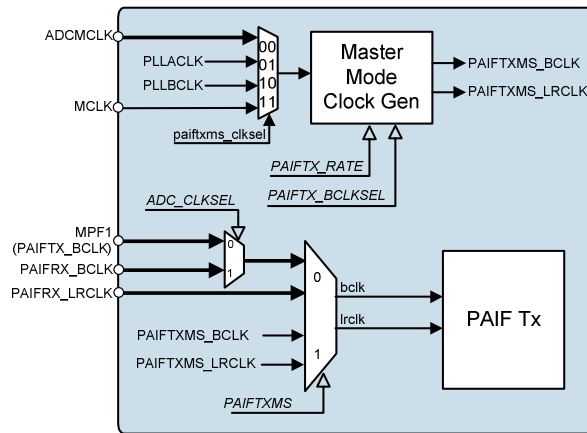


Figure 30 PAIF Transmitter Clock Selection

SECONDARY AUDIO INTERFACES (SAIF RX & SAIF TX)

The Transmit and Receive sides of the Secondary Audio Interface share a common LRCLK and a common BCLK. These can be supplied externally (slave mode) or they can be generated internally by the WM8580 (master mode). The master mode LRCLK/BCLK are created by the Master Mode Clock Gen module. The control of this module is described on page 22.

The clock supplied to this module can be ADCMCLK, PLLACLK, PLLBCLK, or MCLK and is selected using the SAIFMS_CLKSEL register. If the digital routing has been configured such that the SAIF Transmitter is sourcing the S/PDIF Receiver, then PLLACLK is automatically selected, and it is recommended that the interface operate in master mode. However, if the SAIF Transmitter sources something other than the S/PDIF Receiver, and the S/PDIF Receiver is powered up, the PLLACLK and PLLBCLK are invalid for SAIF operation, so the choice is limited to MCLK (default) or ADCMCLK.

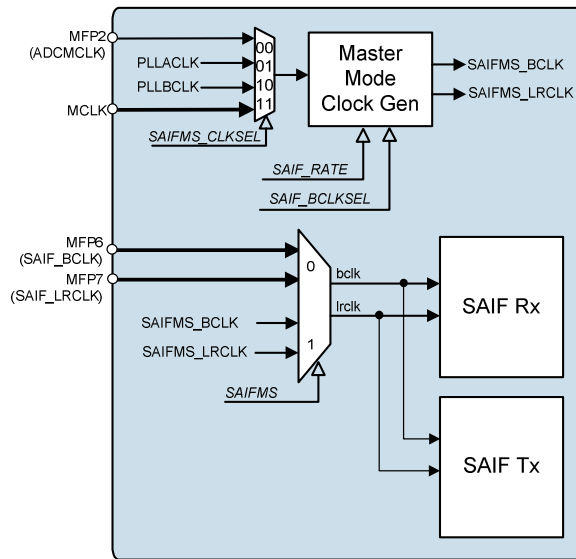


Figure 31 SAIF Clock Selection

| REGISTER ADDRESS | BIT | LABEL | DEFAULT | DESCRIPTION |
|----------------------|-----|-------------------|---------|---|
| R11 SAIF 1 0Bh | 7:6 | SAIFMS_ CLKSEL | 11 | SAIF Master Mode clock source 00 = ADCCLK pin 01 = PLLACLK 10 = PLLBCLK 11 = MCLK pin |

Table 37 SAIF Master Mode Clock Control

MANUAL CLOCK SELECTION

It is possible to override all default clocking configuration restrictions by setting CLKSEL_MAN. When CLKSEL_MAN is set, default clocking configurations such as automatic selection of PLLACLK for DAC1 when DACSRC=00 (S/PDIF received data) are not applied. Instead, clock selection is determined only by the relevant CLK_SEL register.

| REGISTER ADDRESS | BIT | LABEL | DEFAULT | DESCRIPTION |
|---------------------|-----|------------|---------|---|
| R8 CLKSEL 08h | 6 | CLKSEL_MAN | 0 | Clock selection auto-configuration override 0 = auto-configuration enabled, clock configuration follows restrictions described in page 42 to page 47. 1 = auto-configuration disabled, clock configuration follows relevant CLKSEL bits in R8 to R11. |

Table 38 Manual Clock Selection

PHASE-LOCKED LOOPS AND S/PDIF CLOCKING (SOFTWARE MODE)

The WM8580 is equipped with two independent phase-locked loop clock generators and a comprehensive clocking scheme which provides maximum flexibility and function and many configurable routing possibilities for the user in software mode. An overview of the software mode clocking scheme is shown in Figure 32.

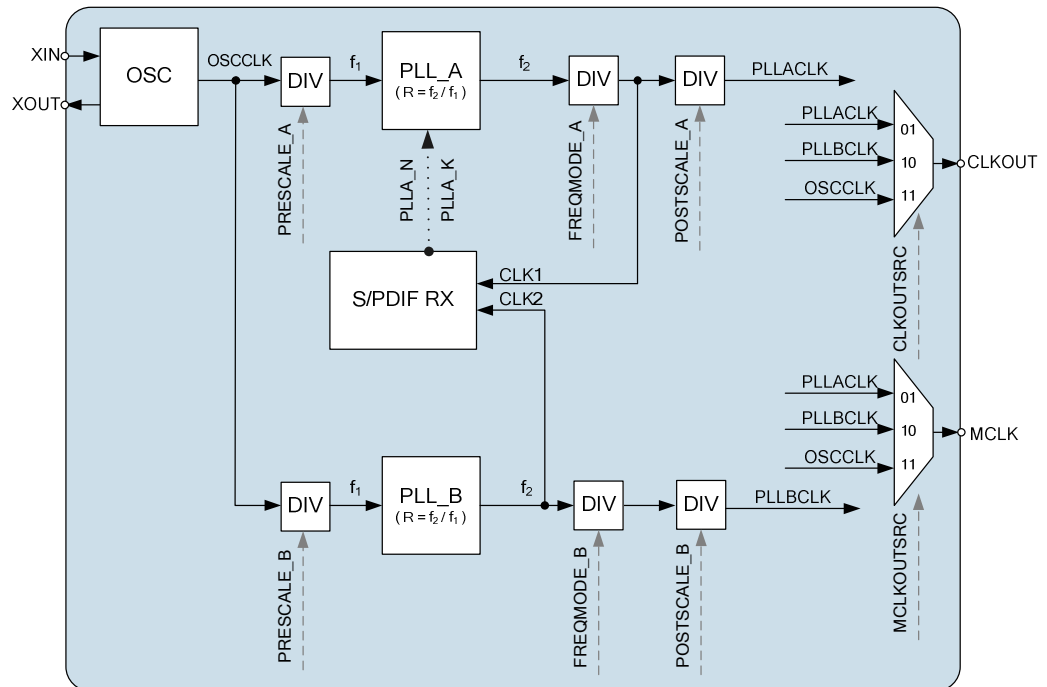


Figure 32 PLL and Clock Select Circuit

OSCILLATOR

The function of the oscillator is to generate the OSCCLK oscillator clock signal. This signal may be used as:

- The clock source for the PLLs.
- A selectable clock source for the MCLK pin, when the pin is configured as an output.
- A selectable clock source for the CLKOUT pin, when enabled.

Whenever the PLLs or the S/PDIF receiver is enabled, the OSCCLK signal must be present to enable the PLLs to generate the necessary clock signals.

The oscillator uses a Pierce type oscillator drive circuit. This circuit requires an external crystal and appropriate external loading capacitors. The oscillator circuit contains a bias generator within the WM8580 and hence an external bias resistor is not required. Crystal frequencies between 10 and 14.4MHz or 16.28MHz and 27MHz can be used in software mode. In this case the oscillator XOUT must be powered up using the OSCPD bit. The recommended circuit is shown in the recommended components diagram, please refer to Figure 49.

Alternatively, an external CMOS compatible clock signal can be applied to the XIN pin in the absence of a crystal. This is not recommended when using the PLL as the PLL requires a jitter-free OSCCLK signal for optimum performance. In this case the oscillator XOUT can be powered down using the OSCPD bit.

The oscillator XOUT pin has one control bit as shown in Table 39.

| REGISTER ADDRESS | BIT | LABEL | DEFAULT | DESCRIPTION |
|-----------------------|-----|-------|---------|---|
| R51 PWRDN 2 33h | 0 | OSCPD | 0 | Oscillator XOUT Power Down 0 = Power Up XOUT (crystal mode) 1 = Power Down XOUT (CMOS clock input mode) |

Table 39 Oscillator Control

PHASE-LOCKED LOOP (PLL)

The WM8580 has two on-chip phase-locked loop (PLL) circuits which can be used to synthesise two independent clock signals (PLLACLK and PLLBCLK) from the external oscillator clock. The PLLs can be used to:

- Generate clocks necessary for the S/PDIF receiver to lock on to and recover S/PDIF data from an incoming S/PDIF data stream.
- Generate clocks which may be used to drive the MCLK and/or CLKOUT pins.
- Generate clocks which may be used by the S/PDIF transmitter to encode and transmit a S/PDIF data stream.
- Generate clocks which may be used as the master clock source for the the ADC and DACs.
- Generate clocks which may be used by the master mode clock generator to generate the BCLK and LRCLK signals for the digital audio interfaces.

The PLLs can be enabled or disabled using the register bits shown in Table 40.

| REGISTER ADDRESS | BIT | LABEL | DEFAULT | DESCRIPTION |
|-----------------------|-----|--------|---------|--|
| R51 PWRDN 2 33h | 1 | PLLAPD | 1 | PLL Power Down Control 0 = Power Up PLL 1 = Power Down PLL |
| | 2 | PLLBPD | 1 | |

Table 40 PLL Power Down Control

The PLLs have two modes of operation:

- **PLL S/PDIF Receive Mode (Selected if S/PDIF Receiver Enabled)**

In S/PDIF receive mode, PLLA is automatically controlled by the S/PDIF receiver to allow the receiver to use PLLA to track and lock on to the incoming S/PDIF data stream. In this case, CLK1 is automatically maintained at a constant frequency of 256fs relative to the sample rate of the recovered S/PDIF stream. PLLB must be configured to produce CLK2, a specific reference clock for the S/PDIF receiver.

PLLACLK may be used as a 256fs or 128fs (selectable – refer to Table 45) master clock source when in S/PDIF receiver mode. PLLBCLK is not available and must not be selected as the clock source for any internal function when the S/PDIF receiver is enabled.

If the sample frequency of the incoming stream is changed and PLLA is forced to unlock in order to track to the new sample frequency, the PLLACLK signal will be stopped until the S/PDIF receiver has locked to the incoming stream at the new sample frequency. If the incoming S/PDIF stream stops, the PLLA_N and PLLA_K values will be frozen and the PLLACLK will continue at the frequency set by the last recovered S/PDIF stream.

Refer to Table 41 and Table 43 for details of the registers available for configuration in this mode. Refer to the S/PDIF Receive Mode Clocking section on page 54 for full details.

- **PLL User Mode (Selected if S/PDIF Receiver Disabled)**

In user mode, the user has full control over the function and operation of both PLLA and PLLB. In this mode, the user can accurately specify the PLL N and K multiplier values and the pre and post-scale divider values and can hence fully control the generated clock frequencies.

Refer to Table 41 and Table 43 for details of the registers available for configuration in this mode.

| REGISTER ADDRESS | BIT | LABEL | DEFAULT | DESCRIPTION |
|--------------------------------|-----|---------------|-----------|--|
| R0 PLLA 1/ DEVID1 00h | 8:0 | PLLA_K[8:0] | 100100001 | Fractional (K) part of PLLA frequency ratio (R). Value K is one 22-digit binary number spread over registers R0, R1 and R2 as shown. |
| R1 PLLA 2/ DEVID2 01h | 8:0 | PLLA_K[17:9] | 101111110 | |
| R2 PLLA 3/ DEVREV 02h | 3:0 | PLLA_K[21:18] | 1101 | |
| | 7:4 | PLLA_N[3:0] | 0111 | Integer (N) part of PLLA frequency ratio (R). Use values in the range $5 \leq \text{PLLA_N} \leq 13$ as close as possible to 8 |
| R4 PLLB 1 04h | 8:0 | PLLB_K[8:0] | 100100001 | Fractional (K) part of PLLB frequency ratio (R). Value K is one 22-digit binary number spread over registers R4, R5 and R6 as shown. Note: PLLB_K must be set to specific values when the S/PDIF receiver is used. Refer to S/PDIF Receive Mode Clocking section for details. |
| R5 PLLB 2 05h | 8:0 | PLLB_K[17:9] | 101111110 | |
| R6 PLLB 3 06h | 3:0 | PLLB_K[21:18] | 1101 | |
| | 7:4 | PLLB_N[3:0] | 0111 | Integer (N) part of PLLB frequency ratio (R). Use values in the range $5 \leq \text{PLLB_N} \leq 13$ as close as possible to 8 Note: PLLB_N must be set to specific values when the S/PDIF receiver is used. Refer to S/PDIF Receive Mode Clocking section for details. |

Table 41 User Mode PLL_K and PLL_N Multiplier Control

| PARAMETER | PLL USER MODE | PLL S/PDIF RECEIVER MODE |
|-------------|---------------|------------------------------------|
| PRESCALE_A | Manual | Write PRESCALE_B Value |
| PRESCALE_B | Manual | Configure Specified PLLB Frequency |
| PLLA_N | Manual | Automatically Controlled |
| PLLA_K | Manual | Automatically Controlled |
| PLLB_N | Manual | Configure Specified PLLB Frequency |
| PLLB_K | Manual | Configure Specified PLLB Frequency |
| FREQMODE_A | Manual | Automatically Controlled |
| FREQMODE_B | Manual | Not Used |
| POSTSCALE_A | Manual | 256fs/128fs PLLACLK Select |
| POSTSCALE_B | Manual | Not Used |

Table 42 PLL Control Register Function in PLL User and PLL S/PDIF Receiver Modes

PLL CONFIGURATION

The PLLs perform a configurable frequency multiplication of the input clock signal (f_1). The multiplication factor of the PLL (denoted by 'R') is variable and is defined by the relationship: $R = (f_2 \div f_1)$.

The multiplication factor for each PLL is set using register bits PLLX_N and PLLX_K (refer to Table 41). The multiplication effect of both the N and K multipliers are additive (i.e. if N is configured to provide a multiplication factor of 8 and K is configured to provide a multiplication factor of 0.192, the overall multiplication factor is $8 \times 0.192 = 1.536$).

In order to choose and configure the correct values for PLLX_N and PLLX_K, multiplication factor R must first be calculated. Once value R is calculated, the value of PLLX_N is the integer (whole number) value of R, ignoring all digits to the right of the decimal point. For example, if R is calculated to be 8.196523, PLL_N is simply 8.

Once PLLX_N is calculated, the PLLX_K value is simply the integer value of $(2^{22} (R - \text{PLLX}_N))$. For example, if R is 8.196523 and PLLX_N is 8, PLLX_K is therefore $(2^{22} (8.196523 - 8))$, which is 824277 (ignoring all digits to the right of the decimal point).

Note:

The PLLs are designed to operate with best performance (shortest lock time and optimum stability) when f_2 is between 90 and 100MHz and PLLX_N is 8. However, acceptable PLLX_N values lie in the range $5 \leq \text{PLLX}_N \leq 13$.

Each PLL has an output divider to allow the f_2 clock signal to be divided to a frequency suitable for use as the source for the MCLK and CLKOUT outputs, the S/PDIF transmitter and the internal ADC and DACs. The divider output is configurable and is set by the FREQMODE_A or FREQMODE_B bits in conjunction with the POSTSCALE_A and POSTSCALE_B bits. Each PLL is also equipped with a pre-scale divider which offers frequency divide by one or two before the OSCCLK signal is input into the PLL. Please refer to Table 43 for details.

| REGISTER ADDRESS | BIT | LABEL | DEFAULT | DESCRIPTION |
|---------------------|-----|---------------------|---------|---|
| R3 PLLA 4 03h | 0 | PRESCALE_A | 0 | PLL Pre-scale Divider Select 0 = Divide by 1 (PLL input clock = oscillator clock) 1 = Divide by 2 (PLL input clock = oscillator clock \div 2) Note: PRESCALE_A must be set to the same value as PRESCALE_B in PLL S/PDIF receiver mode. |
| R7 PLLB 4 07h | 0 | PRESCALE_B | 0 | |
| R3 PLLA 4 03h | 4:3 | FREQMODE_A [1:0] | 10 | PLL Output Divider Select <u>PLL S/PDIF Receiver Mode</u> FREQMODE_A is automatically controlled. FREQMODE_B is not used. |
| R7 PLLB 4 07h | 4:3 | FREQMODE_B [1:0] | 10 | <u>PLL User Mode</u> Used in conjunction with the POSTSCALE_x bits. Refer to Table 44. |
| R3 PLLA 4 03h | 1 | POSTSCALE_A | 0 | PLL Post-scale Divider Select <u>PLL S/PDIF Receiver Mode</u> POSTSCALE_A is used to configure a 256fs or 128fs PLLACLK, POSTSCALE_B is not used. Refer to Table 45. |
| R7 PLLB 4 07h | 1 | POSTSCALE_B | 0 | <u>PLL User Mode</u> Used in conjunction with the FREQMODE_x bits. Refer to Table 44. |

Table 43 Pre and Post PLL Clock Divider Control

| FREQMODE_x[1:0] | f ₂ TO PLLxCLK DIVISION FACTOR | |
|-----------------|---|-----|
| | POSTSCALE_x | |
| | 0 | 1 |
| 00 | ÷2 | ÷4 |
| 01 | ÷4 | ÷8 |
| 10 | ÷8 | ÷16 |
| 11 | ÷12 | ÷24 |

Table 44 PLL User Mode Clock Divider Configuration

| POSTSCALE_A | PLLCLK FREQUENCY |
|-------------|------------------|
| 0 | 256fs |
| 1 | 128fs |

Table 45 PLL S/PDIF Receiver Mode Clock Divider Configuration

PLL CONFIGURATION EXAMPLE

Consider the situation where the oscillator clock (OSCCLK) input frequency is fixed at 12MHz and the required PLLBCLK frequency is 12.288MHz.

1. Calculate the f₂, FREQMODE_B and POSTSCALE_B Values

The PLL is designed to operate with best performance when the f₂ clock is between 90 and 100MHz. The necessary PLLBCLK frequency is 12.288MHz. Choose POSTSCALE_B and FREQMODE_B values to set the f₂ frequency in the range of 90 to 100MHz. In this case, the default values (POSTSCALE_B = 0 and FREQMODE_B[1:0] = 10) will configure the f₂ to PLLBCLK divider as 8 and hence will set the f₂ frequency at 98.304MHz; this value is within the 90 to 100MHz range and is hence acceptable.

- POSTSCALE_B = 0
- FREQMODE_B [1:0] = 10b
- f₂ = 98.304MHz

2. Calculate R Value

Using the relationship: $R = (f_2 \div f_1)$, the value of R can be calculated.

- $R = (f_2 \div f_1)$
- $R = (98.304 \div 12)$
- $R = 8.192$

3. Calculate PLLB_N Value

The value of PLLB_N is the integer (whole number) value of R, ignoring all digits to the right of the decimal point. In this case, R is 8.192, hence PLLB_N is 8.

4. Calculate PLL_K Value

The PLLB_K value is simply the integer value of $(2^{22} (R - \text{PLLB_N}))$.

- PLLB_K = integer part of $(2^{22} \times (8.192 - 8))$
- PLLB_K = integer part of 805306.368
- PLLB_K = 805306 (decimal) / C49BA (hex)

A number of example configurations are shown in Table 46. Many other configurations are possible; Table 46 shows only a small number of valid possibilities. As both PLLs are identical, the same configuration procedure applies for both.

| OSC CLK (MHz) | PRE-SCALE_x | F ₁ (MHz) | F ₂ (MHz) | R | PLLx_N (Hex) | PLLx_K (Hex) | FREQ MODE_x [1:0] | POST-SCALE_x | PLLxCLK (MHz) |
|---------------|-------------|----------------------|----------------------|--------|--------------|--------------|-------------------|--------------|---------------|
| 12 | 0 | 12 | 98.304 | 8.192 | 8 | C49BA | 00 | 1 | 24.576 |
| 12 | 0 | 12 | 98.304 | 8.192 | 8 | C49BA | 01 | 0 | 24.576 |
| 12 | 0 | 12 | 98.304 | 8.192 | 8 | C49BA | 01 | 1 | 12.288 |
| 12 | 0 | 12 | 98.304 | 8.192 | 8 | C49BA | 10 | 0 | 12.288 |
| 12 | 0 | 12 | 98.304 | 8.192 | 8 | C49BA | 10 | 1 | 6.144 |
| 12 | 0 | 12 | 98.304 | 8.192 | 8 | C49BA | 11 | 0 | 8.192 |
| 12 | 0 | 12 | 98.304 | 8.192 | 8 | C49BA | 11 | 1 | 4.096 |
| 24 | 1 | 12 | 90.3168 | 7.5264 | 7 | 21B089 | 00 | 1 | 22.5792 |
| 24 | 1 | 12 | 90.3168 | 7.5264 | 7 | 21B089 | 01 | 0 | 22.5792 |
| 24 | 1 | 12 | 90.3168 | 7.5264 | 7 | 21B089 | 01 | 1 | 11.2896 |
| 24 | 1 | 12 | 90.3168 | 7.5264 | 7 | 21B089 | 10 | 0 | 11.2896 |
| 24 | 1 | 12 | 90.3168 | 7.5264 | 7 | 21B089 | 10 | 1 | 5.6448 |
| 24 | 1 | 12 | 90.3168 | 7.5264 | 7 | 21B089 | 11 | 0 | 7.5264 |
| 24 | 1 | 12 | 90.3168 | 7.5264 | 7 | 21B089 | 11 | 1 | 3.7632 |
| 27 | 1 | 13.5 | 98.304 | 7.2818 | 7 | 1208A5 | 00 | 1 | 24.576 |
| 27 | 1 | 13.5 | 98.304 | 7.2818 | 7 | 1208A5 | 01 | 1 | 12.288 |
| 27 | 1 | 13.5 | 90.3168 | 6.6901 | 6 | 2C2B24 | 00 | 1 | 22.5792 |
| 27 | 1 | 13.5 | 90.3168 | 6.6901 | 6 | 2C2B24 | 01 | 1 | 11.2896 |

Table 46 User Mode PLL Configuration Examples

When considering settings not shown in this table, the key configuration parameters which must be selected for optimum operation are:

- $90\text{MHz} \leq f_2 \leq 100\text{MHz}$
- $5 \leq \text{PLL}_x\text{N} \leq 13$
- $\text{OSCCLOCK} = 10$ to 14.4MHz or 16.28 to 27MHz

CLOCK OUTPUT (CLKOUT) AND MCLK OUTPUT (MCLK)

The clock output (CLKOUT) pin can be used as a clock output. This pin is intended to be used as a clock source pin for providing the central clock reference for an audio system.

The CLKOUT clock source can be selected from OSCCLK, PLLACLK or PLLBCLK. The control bits for the CLKOUT signal are shown in Table 47.

The MCLK pin can be configured as an input or output – the WM8580 should be powered down when switching MCLK between an input and an output. As an output, MCLK can be sourced from OSCCLK, PLLACLK or PLLBCLK.

| REGISTER ADDRESS | BIT | LABEL | DEFAULT | DESCRIPTION |
|----------------------|-----|------------|---------|---|
| R7 PLL B 4 07h | 6:5 | MCLKOUTSRC | 00 | MCLK pin output source 00 = Input – Source MCLK pin 01 = Output – Source PLLACLK 10 = Output – Source PLLBCLK 11 = Output – Source OSCCLK |
| | 8:7 | CLKOUTSRC | 11 | CLKOUT pin source 00 = No Output (tristate) 01 = Output – Source PLLACLK 10 = Output – Source PLLBCLK 11 = Output – Source OSCCLK |

Table 47 MCLK and CLKOUT Control

S/PDIF RECEIVE MODE CLOCKING

In S/PDIF receive mode, the PLLA_N and PLLA_K values are automatically controlled by the S/PDIF receiver to allow the receiver to use PLLA to lock on to and track the incoming S/PDIF data stream. PLLB must be configured to produce a specific reference clock frequency for the S/PDIF receiver.

The S/PDIF receiver has three clocking modes based on the incoming S/PDIF stream sample rate. The modes are:

- Mode 1: Incoming S/PDIF Sample Rate = 88.2kHz -1% to 96kHz +1%
- Mode 2: Incoming S/PDIF Sample Rate = 44.1kHz -1% to 48kHz +1%
- Mode 3: Incoming S/PDIF Sample Rate = 32kHz +/- 1%

Before the S/PDIF receiver is enabled, it is important that the PLLB_N and PLLB_K register values (and the PRESCALE_x values as appropriate) are manually configured in a specific default state. Note that the PRESCALE_A value must always be set to the same value as PRESCALE_B.

The specified PLLB f_2 frequency that must be configured using the PLLB_N and PLLB_K register values (and the PRESCALE_x values as appropriate) for reception of specific S/PDIF sample rates is as follows:

- Modes 1/2/3 (32/44.1/48/88.2/96kHz Sample Rates): PLLB f_2 = **94.3104MHz**

The FREQMODE_B[1:0] bits and POSTSCALE_B bit are not used in PLL S/PDIF receiver mode.

The PLL register settings are configured by default to allow S/PDIF receiver operation using a 12MHz crystal clock. The appropriate PLLB register values must be updated if any crystal clock frequency other than 12MHz is used.

Refer to Table 48 for details of a number of recommended PLLB configurations. Many other configurations are possible; please refer to PLL Configuration section for details regarding how to calculate alternative settings.

| OSC CLK (MHz) | PRE-SCALE_X | S/PDIF RECEIVER SAMPLE RATE(S) (kHz) | F1 (MHz) | F2 (MHz) | R | PLLB_N (Hex) | PLLB_K (Hex) | COMMENT |
|---------------|-------------|--------------------------------------|----------|----------|--------|--------------|--------------|---------------------|
| 11.2896 | 0 | 32 / 44.1 / 48 / 88.2 / 96 | 11.2896 | 94.3104 | 8.3537 | 8 | 16A3B3 | Set N, K |
| 12 | 0 | 32 / 44.1 / 48 / 88.2 / 96 | 12 | 94.3104 | 7.8592 | 7 | 36FD21 | Default Setting |
| 12.288 | 0 | 32 / 44.1 / 48 / 88.2 / 96 | 12.288 | 94.3104 | 7.675 | 7 | 2B3333 | Set K |
| 19.2 | 1 | 32 / 44.1 / 48 / 88.2 / 96 | 9.6 | 94.3104 | 9.824 | 9 | 346C6A | Set Prescales, N, K |
| 24 | 1 | 32 / 44.1 / 48 / 88.2 / 96 | 12 | 94.3104 | 7.8592 | 7 | 36FD21 | Set Prescales |
| 27 | 1 | 32 / 44.1 / 48 / 88.2 / 96 | 13.5 | 94.3104 | 6.986 | 6 | 3F19E5 | Set Prescales, N, K |

Table 48 S/PDIF Receive Mode PLLB Initial Configuration Examples

The recommended configuration sequences are as follows:

TO INITIALLY CONFIGURE THE SYSTEM FOR S/PDIF RECEIVER STARTUP:

1. Disable the PLLA and PLLB by setting the PLLAPD and PLLBPD bits
2. Write appropriate calculated values (relative to oscillator frequency) to PRESCALE_A, PRESCALE_B, PLLB_N and PLLB_K.
3. Enable S/PDIF receiver by clearing the SPDIFRXP and SPDIFPD bits.
4. Enable PLLA and PLLB by clearing the PLLAPD and PLLBPD bits.

PHASE-LOCKED LOOPS AND S/PDIF CLOCKING (HARDWARE MODE)

In hardware mode, the user has no access to the internal clocking control registers and hence a default configuration is loaded at reset to provide maximum functionality.

The S/PDIF receiver is enabled and hence the PLLs operate in S/PDIF receiver mode and all PLL and S/PDIF receiver control is fully automatic. All supported S/PDIF receiver sample rates can be used.

FREQMODE_x and POSTSCALE_x control is fully automatic to ensure that the internal MCLK is maintained at 256fs relative to the S/PDIF received sample rate. In hardware mode, the internal MCLK is not available at the MCLK pin (the pin defaults to an input)

In hardware mode, the OSCCLK **must** be 12MHz and hence the external crystal (or applied XIN clock) must be 12MHz. No other OSCCLK frequencies are supported in hardware mode.

S/PDIF TRANSCEIVER

FEATURES

- IEC-60958-3 compatible with 32k frames/s to 96k frames/s support
- Support for Reception and Transmission of S/PDIF data
- Clock synthesis PLL with reference clock input and ultra-low jitter output
- Input mux with support for up to four S/PDIF inputs
- Register controlled Channel Status recovery and transmission
- Register read-back of recovered Channel Status bits and error flags
- Detection of non-audio data, sample rate, and pre-emphasised data
- Programmable GPO for error flags, frame status flags and clocks

An IEC-60958-3 compatible S/PDIF transceiver is integrated into the WM8580. Operation of the S/PDIF function may be synchronous or asynchronous to the rest of the digital audio circuits.

The receiver performs data and clock recovery, and sends recovered data either to an external device such as a DSP (via the Digital Audio Interfaces), or if the data is audio PCM, it can route the stereo recovered data to DAC1. The recovered clock may be routed out of the WM8580 onto a pin for external use, and may be used to clock the internal DAC as required.

The transmitter generates S/PDIF frames where audio data may be sourced from the ADC, S/PDIF Receiver, or the Digital Audio Interfaces.

S/PDIF FORMAT

S/PDIF is a serial, bi-phase-mark encoded data stream. An S/PDIF frame consists of two sub-frames. Each sub-frame is made up of:

- Preamble – a synchronization pattern used to identify the start of a 192-frame block or sub-frame
- 4-bit Auxiliary Data (AUX) – ordered LSB to MSB
- 20-bit Audio Data (24-bit when combined with AUX) – ordered LSB to MSB
- Validity Bit – a 1 indicates invalid data in that sub-frame
- User Bit – over 192-frames, this forms a User Data Block,
- Channel Bit – over 192-frames, this forms a Channel Status Block
- Parity Bit – used to maintain even parity over the sub-frame (except the preamble)

An S/PDIF Block consists of 192 frames. Channel and User blocks are incorporated within the 192-frame S/PDIF Block. For Consumer mode only the first 40-frames are used to make up the Channel and User blocks. Figure 33 illustrates the S/PDIF format.

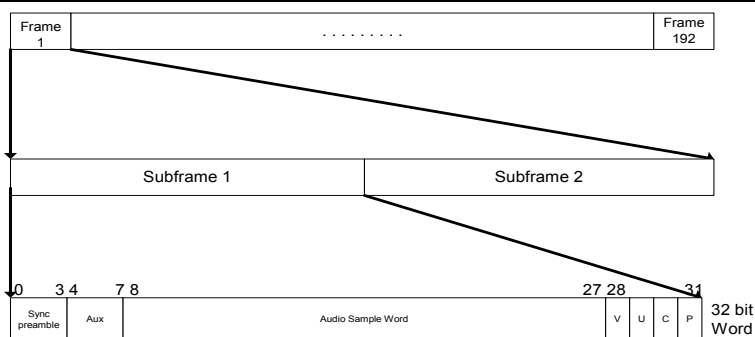


Figure 33 S/PDIF Format

S/PDIF TRANSMITTER

The S/PDIF transmitter generates the S/PDIF frames, and outputs on the SPDIFOP pin. The audio data for the frame can be taken from one of four sources, selectable using the TXSRC register. The transmitter can be powered down using the SPDIFTXD register bit. The S/PDIF Transmitter can be bypassed by setting the REAL_THROUGH register control bit. When set, the SPDIFOP pin sources the output of the S/PDIF input mux.

| REGISTER ADDRESS | BIT | LABEL | DEFAULT | DESCRIPTION |
|---------------------------|-----|--------------|---------|--|
| R30 SPDTXCHAN 0 1Eh | 1:0 | TXSRC[1:0] | 00 | S/PDIF Transmitter Data Source 00 = S/PDIF received data (see REAL_THROUGH) 01 = ADC digital output data. 10 = Secondary Audio Interface 11 = Audio Interface received data |
| | 2 | OVWCHAN | 0 | Override Channel Status Only used if TXSRC=00. Overwrites the received channel status data using data read from S/PDIF transmitter channel status register 0 = Channel data equal to recovered channel data. 1 = Channel data taken from channel status registers. |
| | 3 | REAL_THROUGH | 0 | S/PDIF Through Mode Control 0 = SPDIFOP pin sources output of S/PDIF Transmitter 1 = SPDIFOP pins sources output of S/PDIF IN Mux |
| | 4 | TXVAL_OVWR | 0 | S/PDIF Transmitter Validity Overwrite Mode 0 = disabled, validity bit is 0 when transmitter sources ADC, PAIF or SAIF, or is matches the S/PDIF input validity when S/PDIF transmitter sources S/PDIF receiver. 1 = enabled, validity bit transmitted for subframe 0 is defined by TXVAL_SF0, validity bit transmitted for subframe 1 is defined by TXVAL_SF1. |
| | 5 | TXVAL_SF0 | 0 | Override Mode S/PDIF Transmitter Validity Sub-Frame 0 0 = transmit validity = 0 1 = transmit validity = 1 |
| | 6 | TXVAL_SF1 | 0 | Override Mode S/PDIF Transmitter Validity Sub-Frame 1 0 = transmit validity = 0 1 = transmit validity = 1 |
| R51 PWRDN 2 33h | 4 | SPDIFTXD | 1 | S/PDIF Transmitter powerdown 0 = S/PDIF Transmitter enabled 1 = S/PDIF Transmitter disabled |

Table 49 S/PDIF Transmitter Control

The WM8580 also transmits the preamble and VUCP bits (Validity, User Data, Channel Status and Parity bits).

Validity Bit

By default, set to 0 (to indicate valid data) with the following exceptions:

1. TXSRC=00 (S/PDIF receiver), where Validity is the value recovered from the S/PDIF input stream by the S/PDIF receiver.
2. TXVAL_OVWR=1, where Validity is the value set in registers TXVAL_SF0 and TXVAL_SF1.

User Data

Set to 0 as User Data configuration is not supported in the WM8580 – if TXSRC=00 (S/PDIF receiver) User Data is the value recovered from the S/PDIF input stream by the S/PDIF receiver.

Channel Status

The Channel Status bits form a 192-frame block - transmitted at one bit per sub-frame. Each sub-frame forms its own 192-frame block. The WM8580 is a consumer mode device and only the first 40 bits of the block are used. All data transmitted from the WM8580 is stereo, so the channel status data is duplicated for both channels. The only exception to this is the channel number bits (23:20) which can be changed to indicate whether the channel is left or right in the stereo image. Bits within this block can be configured by setting the Channel Status Bit Control registers (see Table 50 to Table 54). If TXSRC=00 (S/PDIF receiver), the Channel Status bits are transmitted with the same values recovered by the receiver – unless OVWCHAN is set, in which case they are set by the S/PDIF transmitter channel status registers.

Parity Bit

This bit maintains even parity for data as a means of basic error detection. It is generated by the transmitter.

For further details of all channel status bits, refer to IEC-60958-3.

| REGISTER ADDRESS | BIT | LABEL | CHANNEL STATUS BIT | DEFAULT | DESCRIPTION |
|---------------------------|-----|-------------------|--------------------|---------|---|
| R31 SPDTXCHAN 1 1Fh | 0 | CON/PRO | 0 | 0 | 0 = Consumer Mode 1 = Professional Mode (not supported by WM8580) |
| | 1 | AUDIO_N | 1 | 0 | Linear PCM Identification 0 = S/PDIF transmitted data is audio PCM. 1 = S/PDIF transmitted data is not audio PCM. |
| | 2 | CPY_N | 2 | 0 | 0 = Transmitted data has copyright asserted. 1 = Transmitted data has no copyright assertion. |
| | 5:3 | DEEMPH[2:0] | 5:3 | 000 | 000 = Data from Audio interface has no pre-emphasis. 001 = Data from Audio interface has pre-emphasis. 010 = Reserved (Audio interface has pre-emphasis). 011 = Reserved (Audio interface has pre-emphasis). All other modes are reserved and should not be used. |
| | 7:6 | CHSTMODE [1:0] | 7:6 | 00 | 00 = Only valid mode for consumer applications. |

Table 50 S/PDIF Transmitter Channel Status Bit Control 1

| REGISTER ADDRESS | BIT | LABEL | CHANNEL STATUS BIT | DEFAULT | DESCRIPTION |
|----------------------------|-----|------------------|--------------------|----------|--|
| R32 SPDTEXCHAN 2 20h | 7:0 | CATCODE [7:0] | 15:8 | 00000000 | Category Code. Refer to S/PDIF specification IEC60958-3 for details. 00h indicates "general" mode. |

Table 51 S/PDIF Transmitter Channel Status Bit Control 2

| REGISTER ADDRESS | BIT | LABEL | CHANNEL STATUS BIT | DEFAULT | DESCRIPTION |
|---|---|-----------------|--------------------|---------|--|
| R33 SPDTEXCHAN 3 21h | 3:0 | SRCNUM [3:0] | 19:16 | 0000 | Indicates S/PDIF source number. No definitions are attached to data. |
| | 5:4 | CHNUM1[1:0] | 21:20 | 00 | Channel Number for Subframe 1 |
| | | | | | CHNUM1 Function |
| | | | | | 00 Do not use channel number |
| | | | | | 01 Send to Left Channel |
| | | | | | 10 Send to Right Channel |
| | 11 Do not use channel number | | | | |
| | 7:6 | CHNUM2[1:0] | 23:22 | 00 | Channel Number for Subframe 2 |
| | | | | | CHNUM2 Function |
| | | | | | 00 Do not use channel number |
| 01 Send to Left Channel | | | | | |
| 10 Send to Right Channel | | | | | |
| 11 Do not use channel number | | | | | |

Table 52 S/PDIF Transmitter Channel Status Bit Control 3

| REGISTER ADDRESS | BIT | LABEL | CHANNEL STATUS BIT | DEFAULT | DESCRIPTION |
|----------------------------|-----|-------------|--------------------|---------|---|
| R34 SPDTEXCHAN 4 22h | 3:0 | FREQ[3:0] | 27:24 | 0001 | Sampling Frequency Indicated See S/PDIF specification IEC60958-3 for details. 0001 = Sampling Frequency not indicated. |
| | 5:4 | CLKACU[1:0] | 29:28 | 11 | Clock Accuracy of Transmitted clock. 00 = Level II 01 = Level I 10 = Level III 11 = Interface frame rate not matched to sampling frequency. |

Table 53 S/PDIF Transmitter Channel Status Bit Control 4

| REGISTER ADDRESS | BIT | LABEL | CHANNEL STATUS BIT | DEFAULT | DESCRIPTION | | |
|---------------------------------|------------------|-----------|--------------------|--|--|-----------------|-----------------|
| R35 SPDIXCHAN 5 23h | 0 | MAXWL | 32 | 1 | Maximum Audio sample word length 0 = 20 bits 1 = 24 bits | | |
| | 3:1 | TXWL[2:0] | 35:33 | 101 | Audio Sample Word Length. 000 = Word Length Not Indicated | | |
| | | | | | TXWL[2:0] | MAXWL==1 | MAXWL==0 |
| | | | | | 001 | 20 bits | 16 bits |
| | | | | | 010 | 22 bits | 18 bits |
| | | | | | 100 | 23 bits | 19 bits |
| | | | | | 101 | 24 bits | 20 bits |
| | 110 | 21 bits | 17 bits | | | | |
| All other combinations reserved | | | | | | | |
| 7:4 | ORGSAMP [3:0] | 39:36 | 0000 | Original Sampling Frequency. See S/PDIF specification for details. 0000 = original sampling frequency not indicated | | | |

Table 54 S/PDIF Transmitter Channel Status Bit Control 5

S/PDIF RECEIVER**INPUT SELECTOR**

The S/PDIF receiver has one dedicated input, SPDIFIN1. This pin is a IEC-60958-3-compatible comparator input by default or, if SPDIFIN1MODE is set, the pin will be a CMOS-compatible input. There are three other pins which can be configured as either S/PDIF inputs or general purpose outputs (GPOs). The four S/PDIF inputs are multiplexed to allow one input to go to the S/PDIF receiver for decoding. The S/PDIF receiver can be powered down using the SPDIFRXD register bit.

| REGISTER ADDRESS | BIT | LABEL | DEFAULT | DESCRIPTION |
|-----------------------|-----|--------------|---------|---|
| R36 SPDMODE 24h | 0 | SPDIFIN1MODE | 1 | Selects the input circuit type for the SPDIFIN1 input 0 = CMOS-compatible input 1 = Comparator input. Compatible with 500mVpp AC coupled consumer S/PDIF input signals as defined in IEC60958-3. |
| | 2:1 | RXINSEL[1:0] | 00 | S/PDIF Receiver input mux select. The general purpose inputs must be configured using GPOxOP to be either CMOS or comparator inputs if selected by RXINSEL. 00 = Select SPDIFIN1 01 = Select SPDIFIN2 (MFP3) 10 = Select SPDIFIN3 (MFP4) 11 = Select SPDIFIN4 (MFP5) |
| | 6 | WL_MASK | 0 | S/PDIF Receiver Word Length Truncation Mask 0 = disabled, data word is truncated as described in Table 60. 1 = enabled, data word is not truncated. |
| R39 GPO2 26h | 3:0 | GPO3OP[3:0] | 0010 | GPO pin Configuration Select. 1110 = Set GPO as S/PDIF input (CMOS-compatible input). 1111 = Set GPO as S/PDIF input (compatible with 500mVpp AC coupled consumer S/PDIF input signals as defined in IEC-60958-3). For GPO defaults, see Table 66. |
| | 7:4 | GPO4OP[3:0] | 0011 | |
| R40 GPO3 27h | 3:0 | GPO5OP[3:0] | 0100 | |
| R51 PWRDN 2 33h | 5 | SPDIFRXD | 1 | S/PDIF Receiver powerdown. 0 = S/PDIF Receiver enabled 1 = S/PDIF Receiver disabled |

Table 55 S/PDIF Receiver Input Selection Register

AUDIO DATA HANDLING

The S/PDIF receiver recovers the data and VUCP bits from each sub-frame. If the S/PDIF input data is in a non-compressed audio format the data can be internally routed to the stereo data input of DAC1. The WM8580 can detect when the data is in a non-compressed audio format and will automatically mute the DAC. See *Non-Audio Detection* section for more detail.

The received data can also be output over the digital audio interfaces in any of the data formats supported. This can be performed while simultaneously using DAC1 for playback. The received data may also be re-transmitted via the S/PDIF transmitter.

USER DATA

The WM8580 can output recovered user data received using GPO pins. See Table 66 for General Purpose Pin control information.

CHANNEL STATUS DATA

The channel status bits are recovered from the incoming data stream and are used to control various functions of the device.

The S/PDIFRx interface always receives 24 bits of data in bits 4 to 27 of the SPDIF payload. The audio sample can be either 20 bits if AUX bits not used or up to 24bits if AUX bits used (refer to Figure 33). So the audio sample can be 20,21,22,23 or 24 bit. The source (wherever the S/PDIF data is coming from) of the S/PDIF data stream must set the MAXWL and RXWL within the status bits to indicate the size of the audio sample. This is then recovered by the S/PDIF Rx interface. The S/PDIF Rx interface ALWAYS receives 24 bits, but if the actual length of the audio data sample (indicated by MAXWL and RXWL) is less than 24 bits, then the user has the option to truncate these 24 bits to the actual size. These truncated bits are then sent to either the SPDIF Tx or the AIF. Truncation may allow users to process data faster. If the user does not want this truncation to happen then they must mask the truncation using the WL_MASK. In this case all 24 bits of data received are transferred.

The audio data sample can be transferred to either the AIF or the SPDIF Tx.

When the audio data sample is transferred to the AIF, and if the AIF is operating in a mode which has less data bits, then the WM8580 will reduce the audio data sample to the length of the AIF. For example, if the AIF is operating in 16 bit mode, but the SPDIF Rx receives an audio data sample length of 21 bits, then the WM8580 will reduce the 21 bits to 16 bits by removing the LSBs. This cannot be masked. If the AIF is operating in 24 bit mode, then the full 21 bits are transferred on the AIF, with the LSBs set to 000.

When the audio data sample is transferred to the SPDIF TX, then the full audio data sample (24 bits) is written to the SPDIF Tx. Unless it has been truncated using the WL-MASK bits

Should the recovered DEEMPH channel status be set, and the S/PDIF receiver is routed to DAC1, the de-emphasis filter is activated for DAC1.

The S/PDIF receiver reads channel status data from channel 1 only. The channel status data is stored in five read-only registers, which can be read via the serial interface (see *Serial Interface Readback*). When new channel status data has been recovered, and stored in registers, the Channel Status Update (CSUD) bit is set to indicate that the status registers have updated and are ready for readback. After readback, CSUD are cleared until the registers are next updated. The CSUD flag can be configured to be output on any of the GPO pins. The register descriptions for the channel status bits are given below.

| REGISTER ADDRESS | BIT | LABEL | CHANNEL STATUS BIT | DEFAULT | DESCRIPTION |
|--|-----|-------------------|--------------------|---------|--|
| R44 SPDRXCHAN 1 2Ch (read-only) | 0 | CON/PRO | 0 | - | 0 = Consumer Mode 1 = Professional Mode The WM8580 is a consumer mode device. Detection of professional mode may give erroneous behaviour. |
| | 1 | AUDIO_N | 1 | - | Linear PCM Identification 0 = Data word represents audio PCM samples. 1 = Data word does not represent audio PCM samples. |
| | 2 | CPY_N | 2 | - | 0 = Copyright is asserted for this data. 1 = Copyright is not asserted for this data. |
| | 3 | DEEMPH | 3 | - | 0 = Recovered S/PDIF data has no pre-emphasis. 1 = Recovered S/PDIF data has pre-emphasis. |
| | 5:4 | Reserved | 5:4 | - | Reserved for additional de-emphasis modes. |
| | 7:6 | CHSTMODE [1:0] | 7:6 | - | 00 = Only valid mode for consumer applications. |

Table 56 S/PDIF Receiver Channel Status Register 1

| REGISTER ADDRESS | BIT | LABEL | CHANNEL STATUS BIT | DEFAULT | DESCRIPTION |
|--|-----|------------------|--------------------|---------|--|
| R45 SPDRXCHAN 2 2Dh (read-only) | 7:0 | CATCODE [7:0] | 15:8 | - | Category Code. Refer to S/PDIF specification IEC60958-3 for details. 00h indicates "general" mode. |

Table 57 S/PDIF Receiver Channel Status Register 2

| REGISTER ADDRESS | BIT | LABEL | CHANNEL STATUS BIT | DEFAULT | DESCRIPTION |
|--|-----|-----------------|--------------------|---------|---|
| R46 SPDRXCHAN 3 2Eh (read-only) | 3:0 | SRCNUM [3:0] | 19:16 | - | Indicates S/PDIF source number. Refer to S/PDIF specification IEC60958-3 for details. |
| | 5:4 | CHNUM1[1:0] | 21:20 | - | Channel number for sub-frame 1. 00 = Take no account of channel number (channel 1 defaults to left DAC) 01 = channel 1 to left channel 10 = channel 1 to right channel |
| | 7:6 | CHNUM2[1:0] | 23:22 | - | Channel number for sub-frame 2. 00 = Take no account of channel number (channel 2 defaults to left DAC) 01 = channel 2 to left channel 10 = channel 2 to right channel |

Table 58 S/PDIF Receiver Channel Status Register 3

| REGISTER ADDRESS | BIT | LABEL | CHANNEL STATUS BIT | DEFAULT | DESCRIPTION |
|--|-----|-------------|--------------------|---------|--|
| R47 SPDRXCHAN 4 2Fh (read-only) | 3:0 | FREQ[3:0] | 27:24 | - | Sampling Frequency Indicated. Refer to S/PDIF specification IEC60958-3 for details. |
| | 5:4 | CLKACU[1:0] | 29:28 | - | Clock Accuracy of received clock. 00 = Level II 01 = Level I 10 = Level III 11 = Interface frame rate not matched to sampling frequency. |

Table 59 S/PDIF Receiver Channel Status Register 4

| REGISTER ADDRESS | BIT | LABEL | CHANNEL STATUS BIT | DEFAULT | DESCRIPTION | | |
|--|------------------|-----------|--------------------|--|--|-----------------|-----------------|
| R48 SPDRXCHAN 5 30h (read-only) | 0 | MAXWL | 32 | - | Maximum Audio sample word length 0 = 20 bits 1 = 24 bits | | |
| | 3:1 | RXWL[2:0] | 35:33 | - | Audio Sample Word Length. 000: Word Length Not Indicated | | |
| | | | | | RXWL[2:0] | MAXWL==1 | MAXWL==0 |
| | | | | | 001 | 20 bits | 16 bits |
| | | | | | 010 | 22 bits | 18 bits |
| | | | | | 100 | 23 bits | 19 bits |
| | | | | | 101 | 24 bits | 20 bits |
| 110 | 21 bits | 17 bits | | | | | |
| | | | | All other combinations are reserved and may give erroneous operation. Data will be truncated internally when these bits are set unless WL_MASK is set. | | | |
| 7:4 | ORGSAMP [3:0] | 39:36 | - | Original Sampling Frequency. Refer to S/PDIF specification IEC60958-3 for details. 0000 = original sampling frequency not indicated | | | |

Table 60 S/PDIF Receiver Channel Status Register 5

STATUS FLAGS

There are several status flags generated by the S/PDIF Receiver, described below.

| FLAG | DESCRIPTION | VISIBILITY |
|---------------|--|--|
| UNLOCK | Indicates that the S/PDIF Clock Recovery circuit is unlocked, or the incoming S/PDIF signal is not present. 0 = Locked onto incoming S/PDIF stream. 1 = Not locked to the incoming S/PDIF stream, or incoming stream is not present. | S/PDIF Status Register, GPO pins, SWMODE pin (when in hardware mode) |
| INVALID | Indicates that recovered S/PDIF data is marked as invalid. 0 = Data marked as valid 1 = Data marked as invalid | Interrupt Status Register |
| TRANS_ERR | Indicates that recovered S/PDIF frame has parity errors or bi-phase encoding errors, or that sub-frames were recovered out of sequence 0 = No data errors or bi-phase encoding errors detected and sub-frame sequence correct 1 = Data errors or bi-phase encoding errors detected or subframe sequence incorrect (missing preamble) | Interrupt Status Register |
| AUDIO_N | Linear PCM Identification 0 = Data word represents audio PCM samples. 1 = Data word does not represent audio PCM samples. | Channel Status Register, S/PDIF Status Register |
| PCM_N | Indicates that non-audio code (defined in IEC-61937) has been detected. 0 = Sync code not detected. 1 = Sync code detected – received data is not audio PCM. | S/PDIF Status Register |
| CPY_N | Recovered Channel Status bit-2 (active low) 0 = Copyright is asserted for this data. 1 = Copyright is not asserted for this data. | Channel Status Register, S/PDIF Status Register, GPO pins |
| DEEMPH | Recovered Channel Status bit-3 0 = Recovered S/PDIF data has no pre-emphasis. 1 = Recovered S/PDIF data has pre-emphasis | Channel Status Register, S/PDIF Status Register, GPO pins |
| REC_FREQ[1:0] | Indicates recovered S/PDIF sample rate. 00 = Invalid 01 = 96kHz / 88.2kHz 10 = 48kHz / 44.1kHz 11 = 32kHz | S/PDIF Status Register |
| INT_N | Interrupt signal (see section Interrupt Generation) | GPO pins |
| V | Recovered validity-bit for current sub-frame | GPO pins |
| U | Recovered user-bit for current sub-frame | GPO pins |
| C | Recovered channel-bit for current sub-frame | GPO pins |
| P | Recovered parity-bit for current sub-frame | GPO pins |
| SFRM_CLK | Indicates current sub-frame: 1 = Sub-frame A 0 = Sub-frame B | GPO pins |
| 192BLK | Indicates start of 192 frame-block. High for duration of frame-0. | GPO pins |
| CSUD | Indicates that the 192 frame-block of channel status data has updated. | GPO pins |
| ZFLAG | Indicates 'zero-detection' in DACs. See page 45 for more details | MUTE pin, GPO pins |
| NON_AUDIO | Logical OR of PCM_N and AUDIO_N | GPO pins, SDO pin (when in hardware mode) |

Table 61 Status Flag Description

INTERRUPT GENERATION (INT_N)

The hardware interrupt INT_N flag (active low) indicates that a change of status has occurred on one or more of the UNLOCK, INVALID, TRANS_ERR, NON_AUDIO, CPY_N, DEEMPH, CSUD or REC_FREQ flags. To determine which flag caused the interrupt, the Interrupt Status Register (INTSTAT) should be read when INT_N is asserted. INVALID, TRANS_ERR and CSUD generate an interrupt when the flag transitions from low to high. UNLOCK, NON_AUDIO, CPY_N, DEEMPH and REC_FREQ will generate an interrupt on any change in status. INT_N will remain asserted until it is cleared by reading the interrupt status register. If INVALID, TRANS_ERR or CSUD are still active when the interrupt status register is read, INT_N remains asserted.

| REGISTER ADDRESS | BIT | LABEL | DEFAULT | DESCRIPTION |
|--------------------------------------|-----|---------------|---------|---|
| R43 INTSTAT 2Bh (read-only) | 0 | UPD_UNLOCK | - | UNLOCK flag update signal 0 = INT_N not caused by update to UNLOCK flag 1 = INT_N caused by update to UNLOCK flag |
| | 1 | INT_INVALID | - | INVALID flag interrupt signal 0 = INT_N not caused by INVALID flag 1 = INT_N caused by INVALID flag |
| | 2 | INT_CSUD | - | CSUD flag interrupt signal 0 = INT_N not caused by CSUD flag 1 = INT_N caused by CSUD flag |
| | 3 | INT_TRANS_ERR | - | TRANS_ERR flag interrupt signal 0 = INT_N not caused by TRANS_ERR flag 1 = INT_N caused by TRANS_ERR flag |
| | 4 | UPD_NON_AUDIO | - | NON_AUDIO update signal 0 = INT_N not caused by update to NON_AUDIO flag 1 = INT_N caused by update to NON_AUDIO flag |
| | 5 | UPD_CPY_N | - | CPY_N update signal 0 = INT_N not caused by update to CPY_N flag 1 = INT_N caused by update to CPY_N flag |
| | 6 | UPD_DEEMPH | - | DEEMPH update signal 0 = INT_N not caused by update to DEEMPH flag 1 = INT_N caused by update to DEEMPH flag |
| | 7 | UPD_REC_FREQ | - | REC_FREQ update signal 0 = INT_N not caused by update to REC_FREQ flag 1 = INT_N caused by update to REC_FREQ flag |

Table 62 Interrupt Status Register

Where the INT_N has been asserted by an update signal (UPD_UNLOCK, UPD_NON_AUDIO, UPD_CPY_N, UPD_DEEMPH, UPD_REC_FREQ) the S/PDIF Status Register can be read to reveal the status of the flag. See Table 63.

| REGISTER ADDRESS | BIT | LABEL | DEFAULT | DESCRIPTION |
|--------------------------------------|-----|-------------------|---------|---|
| R49 SPDSTAT 31h (read-only) | 0 | AUDIO_N | - | Linear PCM Identification 0 = Data word represents audio PCM samples. 1 = Data word does not represent audio PCM samples. |
| | 1 | PCM_N | - | Indicates that non-audio code (defined in IEC-61937) has been detected. 0 = Sync code not detected. 1 = Sync code detected – received data is not audio PCM. |
| | 2 | CPY_N | - | Recovered Channel Status bit-2 (active low). 0 = Copyright is asserted for this data. 1 = Copyright is not asserted for this data. |
| | 3 | DEEMPH | - | Recovered Channel Status bit-3 0 = Recovered S/PDIF data has no pre-emphasis. 1 = Recovered S/PDIF data has pre-emphasis |
| | 5:4 | REC_FREQ [1:0] | -- | Indicates recovered S/PDIF clock frequency: 00 = Invalid 01 = 96kHz / 88.2kHz 10 = 48kHz / 44.1kHz 11 = 32kHz |
| | 6 | UNLOCK | - | Indicates that the S/PDIF Clock Recovery circuit is unlocked or that the input S/PDIF signal is not present. 0 = Locked onto incoming S/PDIF stream. 1 = Not locked to the incoming S/PDIF stream or the incoming S/PDIF stream is not present. |

Table 63 S/PDIF Status Register

The interrupt and update signals used to generate INT_N can be masked as necessary. The MASK register bit prevents flags from asserting INT_N and from updating the Interrupt Status Register (R43). Masked flags update the S/PDIF Status Register (R49).

| REGISTER ADDRESS | BIT | LABEL | DEFAULT | DESCRIPTION |
|-----------------------|-----|-----------|----------|---|
| R37 INTMASK 25h | 8:0 | MASK[8:0] | 00000000 | When a flag is masked, it does not update the Interrupt Status Register or assert INT_N. 0 = unmask, 1 = mask. MASK[0] = mask control for UPD_UNLOCK MASK[1] = mask control for INT_INVALID MASK[2] = mask control for INT_CSUD MASK[3] = mask control for INT_TRANS_ERR MASK[4] = mask control for UPD_AUDIO_N MASK[5] = mask control for UPD_PCM_N MASK[6] = mask control for UPD_CPY_N MASK[7] = mask control for UPD_DEEMPH MASK[8] = mask control for UPD_REC_FREQ |

Table 64 Interrupt Mask Control Register

ERROR HANDLING IN SOFTWARE MODE

When the TRANS_ERR flag is asserted, it indicates that the recovered Rx S/PDIF sub-frame is corrupted. This corruption can be due to a BI-Phase error, a parity error or a pre-amble error. When the INVALID flag is asserted, it indicates that the recovered Rx S/PDIF sub-frame has been marked as being invalid by the source of the S/PDIF data. Both TRANS_ERR and INVALID indicate an error.

The S/PDIF receiver has two modes of handling for these errors, manual and automatic. The mechanism for each flag is similar. The mechanisms are described below.

MANUAL ERROR HANDLING

This manual handling of errored Rx S/PDIF data can be used when an application processor is being interrupted via the INT_N signal. Appropriate action should be taken by the application processor to handle the error condition.

If the TRANS_ERR and INVALID error flags are not masked using the MASK register, the recovered S/PDIF Rx data is passed to the digital audio interface and DAC1 or to the S/PDIF transmitter irrespective of the state of the flag and the data content of the recovered stream. (Also refer to note 1 below). In this case, the application processor will be interrupted via the INT_N signal.

AUTOMATIC ERROR HANDLING

This automatic handling of errored Rx S/PDIF data can be used when an application processor is not being interrupted via the INT_N signal leaving the WM8580 to handle the error condition.

If the TRANS_ERR and INVALID error flags are masked using the MASK register, the WM8580 output data from the S/PDIF Rx interface depends on the setting of FILLMODE. If FILLMODE=1, then the incoming data (which is errored) is overwritten with 0's. If FILLMODE=0, then the last valid data sample is repeatedly output.

For the INVALID flag, the automatic error handling can be disabled if ALWAYSVALID =1. If ALWAYSVALID is set, then the recovered Rx S/PDIF data, which is marked as invalid, will be allowed to pass to the digital audio interface or to the S/PDIF transmitter. The data will not be modified in any way.

Notes

- For the S/PDIF receiver to S/PDIF transmitter data path, only the INVALID flag will cause data to be overwritten, the TRANS_ERR flag is not used to overwrite data which is passed to the S/PDIF transmitter.

| REGISTER ADDRESS | BIT | LABEL | DEFAULT | DESCRIPTION |
|--------------------|-----|-------------|---------|---|
| R38 GP01 26h | 8 | FILLMODE | 0 | Fill Mode Overwrite Configuration Determines S/PDIF receiver action when TRANS_ERR or INVALID flag is masked and error condition sets the flag: 0 = Data from S/PDIF receiver is overwritten with last valid data sample when flag is set. 1 = Data from S/PDIF receiver is overwritten as all zeros when flag is set. |
| R39 GP02 27h | 8 | ALWAYSVALID | 0 | Automatic Error Handling Configuration for INVALID Flag 0 = INVALID flag automatic error handling enabled. 1 = INVALID flag automatic error handling disabled. |

Table 65 S/PDIF Receiver Automatic Error Handling Configuration Registers

NON-AUDIO DETECTION

The SPDIF payload can contain PCM data for audio or non-audio applications. In the case where the payload contains the 96 bit synchronization code defined in IEC61937 then this indicates that the payload contains data which is not suitable for direct playback through an audio codec. This 96 bit code is defined as 4*16bits of '0'+Pa (16bits)+Pb (16bits)..

If the SPDIFRx interface decodes this sync code then it sets the PCM_N bit.

When the PCM_N =1, then it indicates non-audio data. When the PCM_N =0, then it indicates that the SPDIF payload does not contain the synch code..

Another status bit, AUDIO_N status is recovered from the Channel Status block. It is bit 1 of the channel status. When AUDIO_N =0, then it indicates that the SPDIF payload contains audio PCM encoded data. This is also referred to as linear PCM data. When the AUDIO_N= 1, then it indicates that the SPDIF payload does not contain audio PCM data.

NON_AUDIO data is indicated by a logical OR of the AUDIO_N and PCM_N flags.

If DAC1 is sourcing the S/PDIF Receiver and either the AUDIO_N or PCM_N flags are asserted, DAC1 is automatically muted using the soft mute feature. As described above, any change of AUDIO_N or PCM_N status will cause an INT_N interrupt (UPD_NON_AUDIO) to be generated. If the MASK register bit for AUDIO_N or PCM_N is set, then the associated signal will not generate an interrupt (UPD_NON_AUDIO) but the DAC will be muted.

S/PDIF INPUT/ GPO PIN CONFIGURATION

The WM8580 has ten pins which can be configured as GPOs using the registers shown in Table 66. The GPO pins can be used to output status data decoded by the S/PDIF receiver. These same pins may be used as S/PDIF inputs as described in Table 55.

| REGISTER ADDRESS | BIT | LABEL | DEFAULT | DESCRIPTION |
|--------------------|-----|------------------|---------|---|
| R38 GPO1 26h | 3:0 | GPO1OP[3:0] | 0000 | 0000 = INT_N 0001 = V 0010 = U 0011 = C 0100 = P 0101 = SFRM_CLK 0110 = 192BLK 0111 = UNLOCK 1000 = CSUD 1001 = Invalid 1010 = ZFLAG 1011 = NON_AUDIO 1100 = CPY_N 1101 = DEEMP 1110 = Set GPO as S/PDIF input (CMOS-compatible input). Only applicable for GPO3/4/5. 1111 = Set GPO as S/PDIF input ('comparator' input for AC coupled consumer S/PDIF signals). Only applicable for GPO3/4/5 |
| | 7:4 | GPO2OP[3:0] | 0001 | |
| R39 GPO2 27h | 3:0 | GPO3OP[3:0] | 0010 | |
| | 7:4 | GPO4OP[3:0] | 0011 | |
| R40 GPO3 28h | 3:0 | GPO5OP[3:0] | 0100 | |
| | 7:4 | GPO6OP[3:0] | 0101 | |
| R41 GPO4 29h | 3:0 | GPO7OP[3:0] | 0110 | |
| | 7:4 | GPO8OP[3:0] | 0111 | |
| R42 GPO5 2Ah | 3:0 | GPO9OP[3:0] | 1000 | |
| | 7:4 | GPO10OP [3:0] | 1001 | |

Table 66 GPO Control Registers

POWERDOWN MODES

The WM8580 has powerdown control bits allowing specific parts of the chip to be turned off when not in use.

The ADC is powered down by setting the ADCPD register bit. The three stereo DACs each have a separate powerdown control bit, DACPD[2:0], allowing individual stereo DACs to be powered down when not in use. DACPD can be overwritten by setting ALLDACPD to powerdown all DACs

The S/PDIF transmitter is powered down by setting SPDIFTXD. Setting SPDIFRXD powers down the S/PDIF receiver.

The PLL, Oscillator and S/PDIF clock recovery circuits are powered down by setting PLLPD, OSCPD and SPDIFPD respectively.

Setting all of ADCPD, DACPD[2:0], SPDIFTXD, SPDIFRXD and OUTPD[3:0] will powerdown everything except the references VMIDADC, ADCREF and VMIDDAC. These may be powered down by setting PWDN. Setting PWDN will override all other powerdown control bits. It is recommended that the ADC and DAC are powered down before setting PWDN. The default is for all powerdown bits to be set except OSCPD and PWDN.

| REGISTER ADDRESS | BIT | LABEL | DEFAULT | DESCRIPTION |
|-----------------------|-----|------------|---------|--|
| R50 PWRDN 1 32h | 0 | PWRDN | 0 | Master powerdown (overrides all powerdown registers) 0 = All digital circuits running, outputs are active 1 = All digital circuits in power down mode, outputs muted |
| | 1 | ADCPD | 1 | ADC powerdown 0 = ADC enabled 1 = ADC disabled |
| | 4:2 | DACPD[2:0] | 111 | DAC powerdowns 0 = DAC enabled 1 = DAC disabled DACPD[0] = DAC1 DACPD[1] = DAC2 DACPD[2] = DAC3 |
| | 6 | ALLDACPD | 1 | Overrides DACPD[3:0] 0 = DACs under control of DACPD[3:0] 1 = All DACs are disabled. |
| R51 PWRDN 2 33h | 0 | OSCPD | 0 | OSC output powerdown 0 = OSC output enabled 1 = OSC output disabled A CMOS input can be applied to the OSC input when powered down. |
| | 1 | PLLAPD | 1 | 0 = PLLA enabled 1 = PLLA disabled |
| | 2 | PLLBPD | 1 | 0 = PLLB enabled 1 = PLLB disabled |
| | 3 | SPDIFPD | 1 | S/PDIF Clock Recovery PowerDown 0 = S/PDIF enabled 1 = S/PDIF disabled |
| | 4 | SPDIFTXD | 1 | S/PDIF Transmitter powerdown 0 = S/PDIF Transmitter enabled 1 = S/PDIF Transmitter disabled |
| | 5 | SPDIFRXD | 1 | S/PDIF Receiver powerdown 0 = S/PDIF Receiver enabled 1 = S/PDIF Receiver disabled |

Table 67 Powerdown Registers

INTERNAL POWER ON RESET CIRCUIT

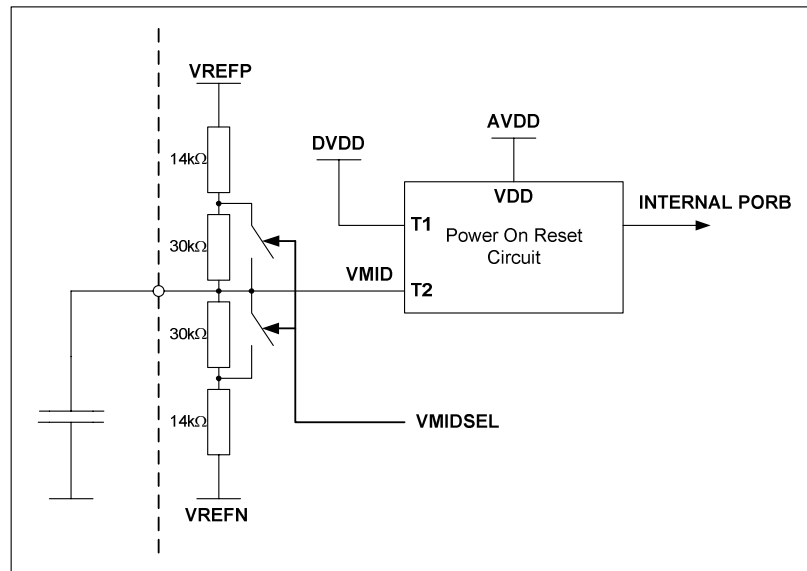


Figure 34 Internal Power On Reset Circuit Schematic

The WM8580 includes an internal Power-On Reset Circuit, which is used to reset the digital logic into a default state after power up.

Figure 34 shows a schematic of the internal POR circuit. The POR circuit is powered from AVDD. The circuit monitors DVDD and VMID and asserts PORB low if DVDD or VMID are below the minimum threshold V_{por_off} .

On power up, the POR circuit requires AVDD to be present to operate. PORB is asserted low until AVDD, DVDD and VMID voltages have risen above their reset thresholds. When these three conditions have been met, PORB is released high. When PORB is released high, all registers are in their default state and writes to the digital interface may take place.

On power down, PORB is asserted low whenever DVDD or VMID drop below the minimum threshold V_{por_off} .

If AVDD is removed at any time, the internal Power On Reset circuit is powered down and the PORB output will follow the AVDD voltage.

In most applications, the time required for the device to release PORB high will be determined by the charge time of the VMID node.

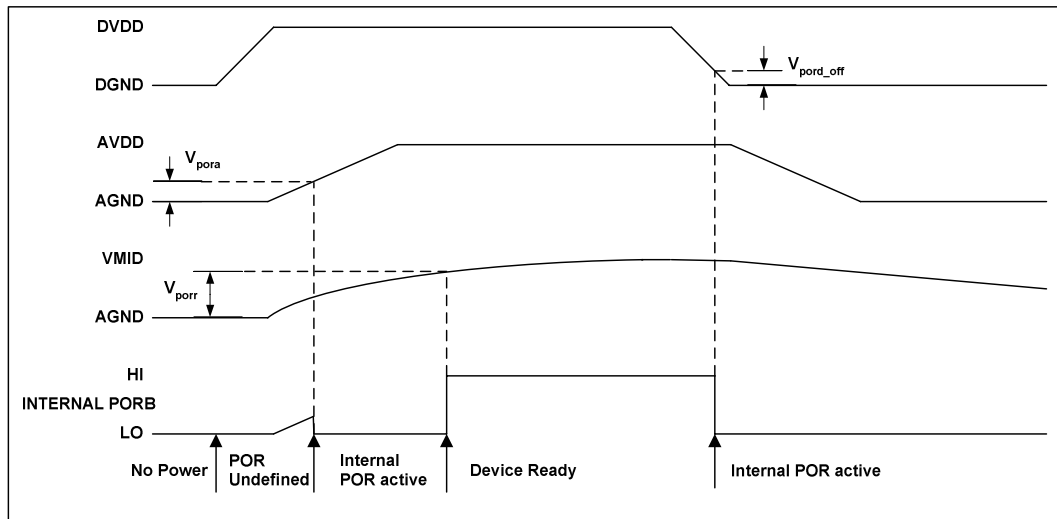


Figure 35 Typical Power up Sequence where DVDD is Powered before AVDD

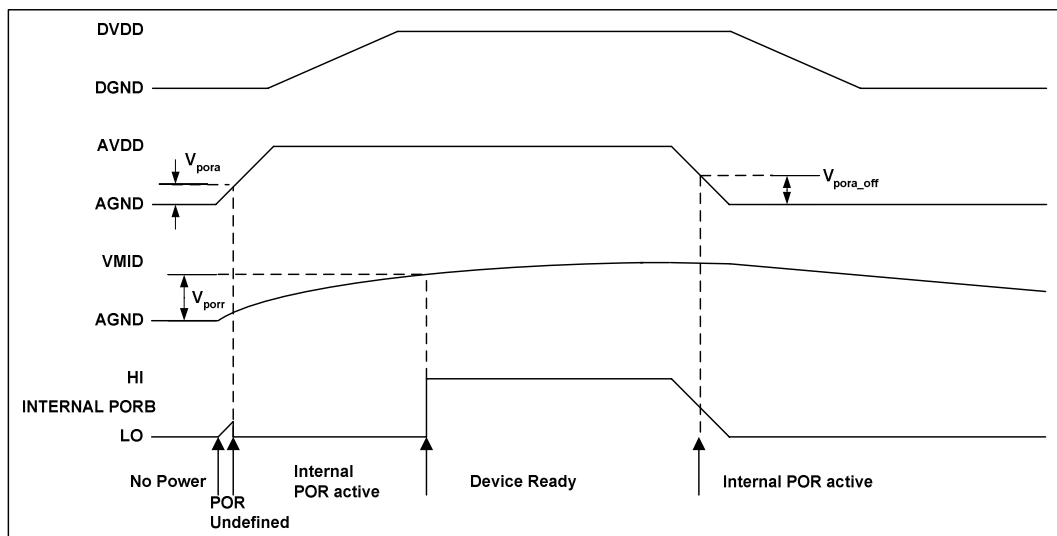


Figure 36 Typical Power up Sequence where AVDD is Powered before DVDD

| SYMBOL | MIN | TYP | MAX | UNIT |
|-----------------|-----|-----|-----|------|
| V_{pora} | 0.5 | 0.7 | 1.0 | V |
| V_{porr} | 0.5 | 0.7 | 1.1 | V |
| V_{pora_off} | 1.0 | 1.4 | 2.0 | V |
| V_{pord_off} | 0.6 | 0.8 | 1.0 | V |

Table 68 Typical POR Operation

In a real application, the designer is unlikely to have control of the relative power up sequence of AVDD and DVDD. Using the POR circuit to monitor VMID ensures a reasonable delay between applying power to the device and Device Ready.

Figure 35 and Figure 36 show typical power up scenarios in a real system. Both AVDD and DVDD must be established, and VMID must have reached the threshold V_{porr} before the device is ready and can be written to. Any writes to the device before Device Ready will be ignored.

Figure 35 shows DVDD powering up before AVDD. Figure 36 shows AVDD powering up before DVDD. In both cases, the time from applying power to Device Ready is dominated by the charge time of VMID.

A 4.7 μ F capacitor (minimum) is recommended for decoupling on VMID. The charge time for VMID will dominate the time required for the device to become ready after power is applied. The time required for VMID to reach the threshold is a function of the VMID resistor string and the decoupling capacitor. To reduce transient audio effects during power on, the stereo DACs on the WM8580 have their outputs clamped to VMID at power-on. This increases the capacitive loading of the VMID resistor string, as the DAC output AC coupling capacitors must be charged to VMID, and hence the required charge time. To ensure minimum device startup time, the VMIDSEL bit is set by default, thus reducing the impedance of the resistor string. If required, the VMID string can be restored to a high impedance state to save power once the device is ready.

| REGISTER ADDRESS | BIT | LABEL | DEFAULT | DESCRIPTION |
|-----------------------------|-----|---------|---------|--|
| R29 ADC CONTROL 1 1Dh | 8 | VMIDSEL | 1 | VMID Impedance Selection 0 = High impedance, power saving 1 = Low impedance, fast power-on |

DEVICE ID READBACK

Reading from registers R0, R1 and R2 returns the device ID and revision number. R0 returns 80h, R1 returns 85h, R2 returns the device revision number. Device ID readback is not possible in continuous readback mode (CONTREAD=1).

HARDWARE CONTROL MODE

The WM8580 can be controlled in Hardware Control Mode or Software Control Mode. The method of control is determined by the state of the HWMODE pin. If the HWMODE pin is low, Software Control Mode is selected. If the HWMODE pin is high, Hardware Control Mode is selected.

In Hardware Control Mode the user has limited control over the features of the WM8580. Most of the features will assume their default settings but some can be modified using external pins.

| HWMODE | | SWMODE | |
|------------------|------------------|----------------|----------------|
| 0 | 1 | 0 | 1 |
| Software Control | Hardware Control | 2-wire control | 3-wire control |

Table 69 Hardware/Software Mode Setup

DIGITAL ROUTING CONTROL

See page 22 for a more detailed explanation of the Digital Routing Options within the WM8580. In Software Control Mode, the values of register bits DAC_SRC, PAIFTX_SRC and TXSRC configure the signal path routing between interfaces. In hardware mode, similar control can be achieved via pins DR1, DR2, DR3 and DR4 as detailed in Table 70 and Table 71.

| PIN | 0 | 1 |
|-----|----------------------------|-----------------------|
| DR1 | DAC_SRC=S/PDIF receiver | DAC_SRC=PAIF receiver |
| DR2 | PAIFTX_SRC=S/PDIF receiver | PAIFTX_SRC=ADC output |

Table 70 DR1 / DR2 Operation

| DR4 | DR3 | S/PDIF TRANSMITTER DATA SOURCE |
|-----|-----|--------------------------------|
| 0 | 0 | S/PDIF received data |
| 0 | 1 | ADC digital output data |
| 1 | 0 | N/A |
| 1 | 1 | PAIF receiver data |

Table 71 DR3 / DR4 Operation

The Secondary Audio Interface (SAIF) is not operational in Hardware Mode.

STATUS PINS

In Hardware control mode, SDO, SWMODE and MFP8/9/10 pins provide S/PDIF status flag information.

| PIN | FLAG | DESCRIPTION |
|--------|-----------|--|
| SWMODE | UNLOCK | Indicates that the S/PDIF Clock Recovery circuit is unlocked or that the input S/PDIF signal is not present. 0 = Locked to incoming S/PDIF stream. 1 = Not locked to the incoming S/PDIF stream, or incoming stream not present. |
| SDO | NON_AUDIO | Logical OR of PCM_N and AUDIO_N: PCM_N indicates that non-audio code (defined in IEC-61937) has been detected. AUDIO_N is the recovered Channel Status bit-1. |
| MFP8 | C | Recovered channel-bit for current sub-frame |
| MFP9 | SFRM_CLK | Indicates current sub-frame: 1 = Sub-frame A 0 = Sub-frame B |
| MFP10 | 192BLK | Indicates start of 192-frame block. High for duration of frame 0, low after frame 0. |

Table 72 Hardware Mode Status Pins

DIGITAL AUDIO INTERFACE CONTROL

In Hardware Control Mode, CSB and SCLK become controls to configure the Primary Audio Interface data format and word length. The configuration applies to both transmit and receive sides of the interface. Table 73 below shows the options available.

| CSB | SCLK | FORMAT & WORD LENGTH |
|-----|------|-------------------------|
| 0 | 0 | 24-bit right justified |
| 0 | 1 | 20-bit right justified |
| 1 | 0 | 24-bit left justified |
| 1 | 1 | 24-bit I ² S |

Table 73 Audio Interface Hardware Mode Control

DAC MUTE CONTROL

In Hardware Control mode, the MUTE pin activates the softmute function on all the DACs. In Software Control mode, MUTE activates softmute on the DAC selected by the DZFM register (when the MPDENB bit is low). See section headed "MUTE MODES" for a detailed description of the softmute function and the other methods of activating softmute.

When floating, the MUTE pin becomes an output for the ZFLAG flag.

| MUTE | DESCRIPTION |
|----------|--|
| 0 | Normal Operation |
| 1 | Mute DAC channels |
| Floating | MUTE is an output to indicate when Zero Detection occurs on all DACs (ZFLAG). H = detected, L = not detected. |

Table 74 MUTE Pin Control Options

PRIMARY AUDIO INTERFACE (TX) MASTER MODE CONTROL

In Hardware Control Mode, the SDIN pin is used to enable the master mode function on the Primary Audio Interface transmitter. This has the same operation as the PAIFTX_MS register bit. The PAIFTX_RATE default settings of 256fs, and 64 BCLKs/LRCLK for BCLKSEL, are used in Hardware Control Mode. See section headed "DIGITAL AUDIO INTERFACES" for more information on master mode operation.

| SDIN | AUDIO INTERFACE (TX) |
|------|----------------------|
| 0 | Slave |
| 1 | Master |

Table 75 Audio Interface (Transmitter) Master Mode Hardware Mode Control

S/PDIF ERROR HANDLING

Should the incoming S/PDIF sub-frame contain a parity error or a bi-phase encoding error, it is assumed the sub-frame has become corrupted. Similarly, if VALIDITY is detected as 1, it is assumed the data within the S/PDIF frame is invalid. Under these conditions, the S/PDIF Receiver repeats the last valid sample in place of the corrupted/invalid samples. (Note: For the S/PDIF receiver to S/PDIF transmitter path, only VALIDITY errors will cause data to be overwritten – parity and bi-phase errors have will not cause data to be overwritten).

POWERDOWN CONTROL

In Software Control Mode, the chip is powered-down by default. In Hardware Control Mode, the chip is powered-up by default but can be powered down by setting the ALLPD(MFP7) input high. (Note that in Software Control Mode, this pin takes the function of SAIF_LRCLK or GPO7).

| ALLPD (MFP7) | |
|--------------|-----------|
| 0 | 1 |
| Powerup | Powerdown |

Table 76 Hardware Mode Powerdown Control

REGISTER MAP

The complete register map is shown below. The detailed description can be found in the relevant text of the device description. The WM8580 can be configured using the Control Interface. All unused bits should be set to '0'. Not all registers can be read. Only the device ID (registers R0, R1 and R2) and the status registers can be read. These status registers are labelled as "read only"

| REGISTER | NAME | ADDRESS | B8 | B7 | B6 | B5 | B4 | B3 | B2 | B1 | B0 | DEFAULT | |
|----------|-------------------------------|---------|-----------------|----------------------|-----------------|----------------|---------------------|-----------------|------------------|-----------------|--------------|-----------|-----------|
| R0 | PLLA 1/DEVID1 | 00 | PLLA_K[8:0] | | | | | | | | | 100100001 | |
| R1 | PLLA 2/DEVID2 | 01 | PLLA_K[17:9] | | | | | | | | | 101111110 | |
| R2 | PLLA 3/DEVREV | 02 | 0 | PLLA_N[3:0] | | | | PLLA_K[21:18] | | | | 001111101 | |
| R3 | PLLA 4 | 03 | 0 | 0 | 0 | 0 | FREQMODE_A[1:0] | 1 | POSTSCALE_A | PRESCALE_A | | 000010100 | |
| R4 | PLLB 1 | 04 | PLLB_K[8:0] | | | | | | | | | 100100001 | |
| R5 | PLLB 2 | 05 | PLLB_K[17:9] | | | | | | | | | 101111110 | |
| R6 | PLLB 3 | 06 | 0 | PLLB_N[3:0] | | | | PLLB_K[21:18] | | | | 001111101 | |
| R7 | PLLB 4 | 07 | CLKOUTSRC[1:0] | | MCLKOUTSRC[1:0] | | FREQMODE_B[1:0] | 1 | POSTSCALE_B | PRESCALE_B | | 110010100 | |
| R8 | CLKSEL | 08 | 0 | 0 | CLKSEL_MAN | TX_CLKSEL[1:0] | | ADC_CLKSEL[1:0] | | DAC_CLKSEL[1:0] | | 000010000 | |
| R9 | PAIF 1 | 09 | 0 | PAIFRXMS_CLKSEL[1:0] | | PAIFRXMS | PAIFRX_BCLKSEL[1:0] | | PAIFRX_RATE[2:0] | | | 000000010 | |
| R10 | PAIF 2 | 0A | 0 | 0 | 0 | PAIFTXMS | PAIFTX_BCLKSEL[1:0] | | PAIFTX_RATE[2:0] | | | 000000010 | |
| R11 | SAIF 1 | 0B | 0 | SAIFMS_CLKSEL[1:0] | | SAIFMS | SAIF_BCLKSEL[1:0] | | SAIF_RATE[2:0] | | | 011000010 | |
| R12 | PAIF 3 | 0C | DAC_SRC[1:0] | | DACOSR | PAIFRXBCP | PAIFRXLRP | PAIFRXWL[1:0] | | PAIFRXFMT[1:0] | | 110001010 | |
| R13 | PAIF 4 | 0D | PAIFTX_SRC[1:0] | | 0 | PAIFTXBCP | PAIFTXLRP | PAIFTXWL[1:0] | | PAIFTXFMT[1:0] | | 010001010 | |
| R14 | SAIF 2 | 0E | SAIFTX_SRC[1:0] | | SAIF_EN | SAIFBCP | SAIFLRP | SAIFWL[1:0] | | SAIFFMT[1:0] | | 000001010 | |
| R15 | DAC CONTROL 1 | 0F | RXDAC_MODE | 0 | 0 | DAC3SEL[1:0] | | DAC2SEL[1:0] | | DAC1SEL[1:0] | | 000100100 | |
| R16 | DAC CONTROL 2 | 10 | 0 | IZD | DZFM[2:0] | | | PL[3:0] | | | | 000001001 | |
| R17 | DAC CONTROL 3 | 11 | 0 | 0 | 0 | 0 | DEEMPALL | 0 | DEEMP[2:0] | | | 000000000 | |
| R18 | DAC CONTROL 4 | 12 | 0 | 1 | 1 | PHASE[5:0] | | | | | | 011111111 | |
| R19 | DAC CONTROL 5 | 13 | 0 | MPDENB | DACATC | DZCEN | MUTEALL | 0 | DMUTE[2:0] | | | 000000000 | |
| R20 | DIGITAL ATTENUATION DACL 1 | 14 | UPDATE | LDA1[7:0] | | | | | | | | 011111111 | |
| R21 | DIGITAL ATTENUATION DACR 1 | 15 | UPDATE | RDA1[7:0] | | | | | | | | 011111111 | |
| R22 | DIGITAL ATTENUATION DACL 2 | 16 | UPDATE | LDA2[7:0] | | | | | | | | 011111111 | |
| R23 | DIGITAL ATTENUATION DACR 2 | 17 | UPDATE | RDA2[7:0] | | | | | | | | 011111111 | |
| R24 | DIGITAL ATTENUATION DACL 3 | 18 | UPDATE | LDA3[7:0] | | | | | | | | 011111111 | |
| R25 | DIGITAL ATTENUATION DACR 3 | 19 | UPDATE | RDA3[7:0] | | | | | | | | 011111111 | |
| R28 | MASTER DIGITAL ATTENUATION | 1C | UPDATE | MASTDA[7:0] | | | | | | | | 011111111 | |
| R29 | ADC CONTROL 1 | 1D | VMIDSEL | ADCRATE[2:0] | | | ADCHPD | ADCOSR | AMUTEALL | AMUTER | AMUTEL | 001000000 | |
| R30 | SPDTXCHAN 0 | 1E | 0 | 0 | TXVAL_SF1 | TXVAL_SF0 | TXVAL_OVWR | REAL_THROUGH | OVWCHAN | TXSRC[1:0] | | 000000000 | |
| R31 | SPDTXCHAN 1 | 1F | 0 | CHSTMODE[1:0] | | DEEMPH[2:0] | | | CPY_N | AUDIO_N | CON/PRO | 000000000 | |
| R32 | SPDTXCHAN 2 | 20 | 0 | CATCODE[7:0] | | | | | | | | 000000000 | |
| R33 | SPDTXCHAN 3 | 21 | 0 | CHNUM2[1:0] | | CHNUM1[1:0] | | SRCNUM[3:0] | | | | 000000000 | |
| R34 | SPDTXCHAN 4 | 22 | 0 | 0 | 0 | CLKACU[1:0] | | FREQ[3:0] | | | | 000110001 | |
| R35 | SPDTXCHAN 5 | 23 | 0 | ORGSAMP[3:0] | | | | TXWL[2:0] | | | MAXWL | 000001011 | |
| R36 | SPDMODE | 24 | 0 | 0 | WL_MASK | 1 | 1 | 1 | RXINSEL[1:0] | | BPDEFINIMODE | 000111001 | |
| R37 | INTMASK | 25 | MASK[8:0] | | | | | | | | | 000000000 | |
| R38 | GPO1 | 26 | FILLMODE | GPO2OP[3:0] | | | | GPO1OP[3:0] | | | | | 000010000 |

| REGISTER | NAME | ADDRESS | B8 | B7 | B6 | B5 | B4 | B3 | B2 | B1 | B0 | DEFAULT |
|----------|-------------|---------|--------------------------------------|--------------|----------|----------|-------------|----------|--------------|-----------|-----------|-----------|
| R39 | GPO2 | 27 | ALWAYSVALID | GPO4OP[3:0] | | | GPO30P[3:0] | | | 000110010 | | |
| R40 | GPO3 | 28 | 0 | GPO6OP[3:0] | | | GPO50P[3:0] | | | 001010100 | | |
| R41 | GPO4 | 29 | 0 | GPO8OP[3:0] | | | GPO70P[3:0] | | | 001110110 | | |
| R42 | GPO5 | 2A | 0 | GPO10OP[3:0] | | | GPO90P[3:0] | | | 010011000 | | |
| R43 | INTSTAT | 2B | Error Flag Interrupt Status Register | | | | | | | | | Read-only |
| R44 | SPDRXCHAN 1 | 2C | Channel Status Register 1 | | | | | | | | | Read-only |
| R45 | SPDRXCHAN 2 | 2D | Channel Status Register 2 | | | | | | | | | Read-only |
| R46 | SPDRXCHAN 3 | 2E | Channel Status Register 3 | | | | | | | | | Read-only |
| R47 | SPDRXCHAN 4 | 2F | Channel Status Register 4 | | | | | | | | | Read-only |
| R48 | SPDRXCHAN 5 | 30 | Channel Status Register 5 | | | | | | | | | Read-only |
| R49 | SPDSTAT | 31 | S/PDIF Status Register | | | | | | | | | Read-only |
| R50 | PWRDN 1 | 32 | 0 | 0 | ALLDACPD | 1 | DACPD[2:0] | | ADCPD | PWDN | 001111110 | |
| R51 | PWRDN 2 | 33 | 0 | 0 | 0 | SPDIFRXD | SPDIFTXD | SPDIFPD | PLLBPD | PLLAPD | OSCPD | 000111110 |
| R52 | READBACK | 34 | 0 | 0 | 0 | 0 | READEN | CONTREAD | READMUX[2:0] | | 000000000 | |
| R53 | RESET | 35 | RESET | | | | | | | | | n/a |

| REGISTER ADDRESS | BIT | LABEL | DEFAULT | DESCRIPTION |
|--------------------------------|-----|-----------------|-----------|--|
| R0 PLLA 1/ DEVID1 00h | 8:0 | PLLA_K[8:0] | 100100001 | Fractional (K) part of PLLA frequency ratio (R). Value K is one 22-digit binary number spread over registers R0, R1 and R2 as shown. |
| R1 PLLA 2/ DEVID2 01h | 8:0 | PLLA_K[17:9] | 101111110 | Reading from these registers will return the device ID. R0 returns 10000000 = 80h R1 returns 10000101 = 85h Device ID readback is not possible in continuous readback mode (CONTREAD=1). |
| R2 PLLA 3/ DEVREV 02h | 3:0 | PLLA_K[21:18] | 1101 | Integer (N) part of PLLA frequency ratio (R). Use values in the range $5 \leq \text{PLLA_N} \leq 13$ as close as possible to 8. Reading from this register will return the device revision number. |
| | 7:4 | PLLA_N[3:0] | 0111 | |
| R3 PLLA 4 03h | 0 | PRESCALE_A | 0 | PLL Pre-scale Divider Select 0 = Divide by 1 (PLL input clock = oscillator clock) 1 = Divide by 2 (PLL input clock = oscillator clock + 2) Note: PRESCALE_A must be set to the same value as PRESCALE_B in PLL S/PDIF receiver mode. |
| | 1 | POSTSCALE_A | 0 | PLL Post-scale Divider Select <u>PLL S/PDIF Receiver Mode</u> POSTSCALE_A is used to configure a 256fs or 128fs PLLACLK, POSTSCALE_B is not used. Refer to Table 45. <u>PLL User Mode</u> Used in conjunction with the FREQMODE_x bits. Refer to Table 44. |
| | 4:3 | FREQMODE_A[1:0] | 10 | PLL Output Divider Select <u>PLL S/PDIF Receiver Mode</u> FREQMODE_A is automatically controlled. FREQMODE_B is not used. <u>PLL User Mode</u> Used in conjunction with the POSTSCALE_x bits. Refer to Table 44. |

| REGISTER ADDRESS | BIT | LABEL | DEFAULT | DESCRIPTION |
|----------------------|-----|---------------------|-----------|--|
| R4 PLL B 1 04h | 8:0 | PLL_B_K[8:0] | 100100001 | Fractional (K) part of PLLB frequency ratio (R). Value K is one 22-digit binary number spread over registers R4, R5 and R6 as shown. |
| R5 PLL B 2 05h | 8:0 | PLL_B_K[17:9] | 101111110 | Note: PLL_B_K must be set to specific values when the S/PDIF receiver is used. Refer to S/PDIF Receive Mode Clocking section for details. |
| R6 PLL B 3 06h | 3:0 | PLL_B_K[21:18] | 1101 | |
| | 7:4 | PLL_B_N[3:0] | 0111 | |
| R7 PLL B 4 07h | 0 | PRESCALE_B | 0 | PLL Pre-scale Divider Select 0 = Divide by 1 (PLL input clock = oscillator clock) 1 = Divide by 2 (PLL input clock = oscillator clock + 2) Note: PRESCALE_A must be set to the same value as PRESCALE_B in PLL S/PDIF receiver mode. |
| | 1 | POSTSCALE_B | 0 | PLL Post-scale Divider Select <u>PLL S/PDIF Receiver Mode</u> POSTSCALE_A is used to configure a 256fs or 128fs PLLACLK, POSTSCALE_B is not used. Refer to Table 45. <u>PLL User Mode</u> Used in conjunction with the FREQMODE_x bits. Refer to Table 44. |
| | 4:3 | FREQMODE_B [1:0] | 10 | PLL Output Divider Select <u>PLL S/PDIF Receiver Mode</u> FREQMODE_A is automatically controlled. FREQMODE_B is not used. <u>PLL User Mode</u> Used in conjunction with the POSTSCALE_x bits. Refer to Table 44. |
| | 6:5 | MCLKOUTSRC | 00 | MCLK pin output source 00 = Input – Source MCLK pin 01 = Output – Source PLLACLK 10 = Output – Source PLLBCLK 11 = Output – Source OSCCLK |
| | 8:7 | CLKOUTSRC | 11 | CLKOUT pin source 00 = No Output (tristate) 01 = Output – Source PLLACLK 10 = Output – Source PLLBCLK 11 = Output – Source OSCCLK |
| R8 CLKSEL 08h | 1:0 | DAC_CLKSEL | 00 | DAC clock source 00 = MCLK pin 01 = PLLACLK 10 = PLLBCLK 11 = MCLK pin |
| | 3:2 | ADC_CLKSEL | 00 | ADC clock source 00 = ADCMLCK pin 01 = PLLACLK 10 = PLLBCLK 11 = MCLK pin |

| REGISTER ADDRESS | BIT | LABEL | DEFAULT | DESCRIPTION |
|----------------------|-----|-------------------------|---------|---|
| | 5:4 | TX_CLKSEL | 01 | S/PDIF Transmitter clock source 00 = ADCMLCK pin 01 = PLLACLK 10 = PLLBCLK 11 = MCLK pin |
| | 6 | CLKSEL_MAN | 0 | Clock selection auto-configuration override 0 = auto-configuration enabled, clock configuration follows restrictions described in page 42 to page 47. 1 = auto-configuration disabled, clock configuration follows relevant CLKSEL bits in R8 to R11. |
| R9 PAIF 1 09h | 2:0 | PAIFRX_RATE [2:0] | 010 | Master Mode LRCLK Rate 000 = 128fs 001 = 192fs 010 = 256fs 011 = 384fs 100 = 512fs 101 = 768fs 110 = 1152fs |
| | 4:3 | PAIFRX_BCLKSEL [1:0] | 00 | Master Mode BCLK Rate 00 = 64 BCLKs per LRCLK 01 = 32 BCLKs per LRCLK 10 = 16 BCLKs per LRCLK 11 = BCLK = System Clock |
| | 5 | PAIFRXMS | 0 | PAIF Receiver Master/Slave Mode Select 0 = Slave Mode 1 = Master Mode |
| | 7:6 | PAIFRXMS_CLKSEL | 00 | PAIF Receiver Master Mode clock source 00 = MCLK pin 01 = PLLACLK 10 = PLLBCLK 11 = MCLK pin |
| R10 PAIF 2 0Ah | 2:0 | PAIFTX_RATE [2:0] | 010 | Master Mode LRCLK Rate 000 = 128fs 001 = 192fs 010 = 256fs 011 = 384fs 100 = 512fs 101 = 768fs 110 = 1152fs |
| | 4:3 | PAIFTX_BCLKSEL [1:0] | 00 | Master Mode BCLKRate 00 = 64 BCLKs per LRCLK 01 = 32 BCLKs per LRCLK 10 = 16 BCLKs per LRCLK 11 = BCLK = System Clock |
| | 5 | PAIFTXMS | 0 | PAIF Transmitter Master/Slave Mode Select: 0 = Slave Mode 1 = Master Mode |

| REGISTER ADDRESS | BIT | LABEL | DEFAULT | DESCRIPTION |
|----------------------|-----|------------------------|---------|--|
| R11 SAIF1 0Bh | 2:0 | SAIF_RATE [2:0] | 010 | Master Mode LRCLK Rate 000 = 128fs 001 = 192fs 010 = 256fs 011 = 384fs 100 = 512fs 101 = 768fs 110 = 1152fs |
| | 4:3 | SAIF_BCLKSEL [1:0] | 00 | Master Mode BCLK Rate 00 = 64 BCLKs per LRCLK 01 = 32 BCLKs per LRCLK 10 = 16 BCLKs per LRCLK 11 = BCLK = System Clock |
| | 5 | SAIFMS | 0 | SAIF Master/Slave Mode Select 0 = Slave Mode 1 = Master Mode |
| | 7:6 | SAIFMS_CLKSEL [1:0] | 11 | SAIF Master Mode clock source 00 = ADCMCLK pin 01 = PLLACLK 10 = PLLBCLK 11 = MCLK pin |
| R12 PAIF 3 0Ch | 1:0 | PAIFRXFMT [1:0] | 10 | PAIF Receiver Audio Data Format Select 11: DSP Format 10: I ² S Format 01: Left justified 00: Right justified |
| | 3:2 | PAIFRXWL [1:0] | 10 | PAIF Receiver Audio Data Word Length 11: 32 bits (see Note) 10: 24 bits 01: 20 bits 00: 16 bits |
| | 4 | PAIFRXLRP | 0 | In LJ/RJ/I ² S modes 0 = LRCLK not inverted 1 = LRCLK inverted In DSP Format: 0 = DSP Mode A 1 = DSP Mode B |
| | 5 | PAIFRXBCP | 0 | PAIF Receiver BCLK polarity 0 = BCLK not inverted 1 = BCLK inverted |
| | 6 | DACOSR | 0 | DAC Oversampling Rate Control 0 = 128x oversampling 1 = 64x oversampling |
| | 8:7 | DAC_SRC [1:0] | 11 | DAC1 Source: 00 = S/PDIF received data. 10 = SAIF Receiver data 11 = PAIF Receiver data Note: When DAC_SRC = 00, DAC2/3/4 may be turned off, depending on RX2DAC_MODE |

| REGISTER ADDRESS | BIT | LABEL | DEFAULT | DESCRIPTION |
|----------------------|-----|---------------------|---------|---|
| R13 PAIF 4 0Dh | 1:0 | PAIFTXFMT [1:0] | 10 | PAIF Transmitter Audio Data Format Select 11: DSP Format 10: I ² S Format 01: Left justified 00: Right justified |
| | 3:2 | PAIFTXWL [1:0] | 10 | PAIF Transmitter Audio Data Word Length 11: 32 bits (see Note) 10: 24 bits 01: 20 bits 00: 16 bits |
| | 4 | PAIFTXLRP | 0 | In LJ/RJ/I ² S modes 0 = LRCLK not inverted 1 = LRCLK inverted In DSP Format: 0 = DSP Mode A 1 = DSP Mode B |
| | 5 | PAIFTXBCP | 0 | PAIF Receiver BCLK polarity 0 = BCLK not inverted 1 = BCLK inverted |
| | 8:7 | PAIFTX_SRC [1:0] | 01 | Primary Audio Interface Transmitter Source 00 = S/PDIF received data. 01 = ADC digital output data. 10 = SAIF Receiver data |
| R14 SAIF 2 0Eh | 1:0 | SAIFFMT [1:0] | 10 | SAIF Audio Data Format Select 11: DSP Format 10: I ² S Format 01: Left justified 00: Right justified |
| | 3:2 | SAIFWL [1:0] | 10 | SAIF Audio Data Word Length 11: 32 bits (see Note) 10: 24 bits 01: 20 bits 00: 16 bits |
| | 4 | SAIFLRP | 0 | In LJ/RJ/I ² S modes 0 = LRCLK not inverted 1 = LRCLK inverted In DSP Format: 0 = DSP Mode A 1 = DSP Mode B |
| | 5 | SAIFBCP | 0 | SAIF BCLK polarity 0 = BCLK not inverted 1 = BCLK inverted |
| | 6 | SAIF_EN | 0 | SAIF Enable 0 = SAIF disabled 1 = SAIF enabled |
| | 8:7 | SAIFTX_SRC [1:0] | 00 | Secondary Audio Interface Transmitter Source 00 = S/PDIF received data. 01 = ADC digital output data. 11 = PAIF Receiver data |

| REGISTER ADDRESS | BIT | LABEL | DEFAULT | DESCRIPTION | | | | | |
|--------------------------------|---------|------------------|---------|--|----------|-----------|---|--|--|
| R15 DAC Control 1 0Fh | 1:0 | DAC1SEL [1:0] | 00 | DAC digital input select 00 = DAC takes data from DIN1 01 = DAC takes data from DIN2 10 = DAC takes data from DIN3 | | | | | |
| | 3:2 | DAC2SEL [1:0] | 01 | | | | | | |
| | 5:4 | DAC3SEL [1:0] | 10 | | | | | | |
| | 8 | RX2DAC_MODE | 0 | DAC oversampling rate and power down control (only valid when DAC_SRC = 00, S/PDIF receiver) 0 = SFRM_CLK determines oversampling rate, DACs 2/3 powered down 1 = PAIFRX_LRCLK determines oversampling rate, DACs 2/3 source PAIF Receiver | | | | | |
| R16 DAC Control 2 10h | 3:0 | PL[3:0] | 1001 | PL[3:0] | Left O/P | Right O/P | | | |
| | | | | 0000 | Mute | Mute | | | |
| | | | | 0001 | Left | Mute | | | |
| | | | | 0010 | Right | Mute | | | |
| | | | | 0011 | (L+R)/2 | Mute | | | |
| | | | | 0100 | Mute | Left | | | |
| | | | | 0101 | Left | Left | | | |
| | | | | 0110 | Right | Left | | | |
| | | | | 0111 | (L+R)/2 | Left | | | |
| | | | | 1000 | Mute | Right | | | |
| | | | | 1001 | Left | Right | | | |
| | | | | 1010 | Right | Right | | | |
| | | | | 1011 | (L+R)/2 | Right | | | |
| | | | | 1100 | Mute | (L+R)/2 | | | |
| | | | | 1101 | Left | (L+R)/2 | | | |
| 1110 | Right | (L+R)/2 | | | | | | | |
| 1111 | (L+R)/2 | (L+R)/2 | | | | | | | |
| R17 DAC Control 3 11h | 2:0 | DEEMP[2:0] | 000 | De-emphasis mode select DEEMP[0] = 1, enable De-emphasis on DAC1 DEEMP[1] = 1, enable De-emphasis on DAC2 DEEMP[2] = 1, enable De-emphasis on DAC3 | | | | | |
| | | | | 4 | DEEMPALL | 0 | 0 = De-emphasis controlled by DEEMP[2:0] 1 = De-emphasis enabled on all DACs | | |
| | | | | | | | | | |
| R16 DAC Control 2 10h | 6:4 | DZFM[2:0] | 000 | Selects the source for ZFLAG 000 - All DACs Zero Flag 001 - DAC1 Zero Flag 010 - DAC2 Zero Flag 011 - DAC3 Zero Flag 100 - ZFLAG = 0 101 - ZFLAG = 0 110 - ZFLAG = 0 111 - ZFLAG = 0 | | | | | |
| | | | | 7 | IZD | 0 | Infinite zero detection circuit control and automute control 0 = Infinite zero detect automute disabled 1 = Infinite zero detect automute enabled | | |
| | | | | | | | | | |

| REGISTER ADDRESS | BIT | LABEL | DEFAULT | DESCRIPTION |
|--|-----|-------------|-------------------|---|
| R18 DAC Control 4 12h | 5:0 | PHASE [5:0] | 111111 | Controls phase of DAC outputs PHASE[0] = 0 inverts phase of DAC1L output PHASE[1] = 0 inverts phase of DAC1R output PHASE[2] = 0 inverts phase of DAC2L output PHASE[3] = 0 inverts phase of DAC2R output PHASE[4] = 0 inverts phase of DAC3L output PHASE[5] = 0 inverts phase of DAC3R output |
| R19 DAC Control 5 13h | 2:0 | DMUTE[2:0] | 000 | DAC channel soft mute enables DMUTE[0] = 1, enable soft-mute on DAC1 DMUTE[1] = 1, enable soft-mute on DAC2 DMUTE[2] = 1, enable soft-mute on DAC3 |
| | 4 | MUTEALL | 0 | DAC channel master soft mute. Mutes all DAC channels 0 = disable soft-mute on all DACs 1 = enable soft-mute on all DACs |
| | 5 | DZCEN | 0 | DAC Digital Volume Zero Cross Enable 0 = Zero Cross detect disabled 1 = Zero Cross detect enabled |
| | 6 | DACATC | 0 | Attenuator Control 0 = All DACs use attenuations as programmed. 1 = Right channel DACs use corresponding left DAC attenuations |
| | 7 | MPDENB | 0 | MUTE pin decode enable 0 = MUTE activates soft-mute on DAC selected by DZFM 1 = MUTE activates softmute on all DACs |
| R20 Digital Attenuation DACL 1 14h | 7:0 | LDA1[7:0] | 11111111 (0dB) | Digital Attenuation control for DAC1 Left Channel (DACL1) in 0.5dB steps. See Table 23 |
| | 8 | UPDATE | Not latched | Controls simultaneous update of all Attenuation Latches 0 = Store LDA1 in intermediate latch (no change to output) 1 = Apply LDA1 and update attenuation on all channels |
| R21 Digital Attenuation DACR 1 15h | 7:0 | RDA1[6:0] | 11111111 (0dB) | Digital Attenuation control for DAC1 Right Channel (DACR1) in 0.5dB steps. See Table 23 |
| | 8 | UPDATE | Not latched | Controls simultaneous update of all Attenuation Latches 0 = Store RDA1 in intermediate latch (no change to output) 1 = Apply RDA1 and update attenuation on all channels |
| R22 Digital Attenuation DACL 2 16h | 7:0 | LDA2[7:0] | 11111111 (0dB) | Digital Attenuation control for DAC2 Left Channel (DACL2) in 0.5dB steps. See Table 23 |
| | 8 | UPDATE | Not latched | Controls simultaneous update of all Attenuation Latches 0 = Store LDA2 in intermediate latch (no change to output) 1 = Apply LDA2 and update attenuation on all channels |
| R23 Digital Attenuation DACR 2 17h | 7:0 | RDA2[7:0] | 11111111 (0dB) | Digital Attenuation control for DAC2 Right Channel (DACR2) in 0.5dB steps. See Table 23 |
| | 8 | UPDATE | Not latched | Controls simultaneous update of all Attenuation Latches 0 = Store RDA2 in intermediate latch (no change to output) 1 = Apply RDA2 and update attenuation on all channels |
| R24 Digital Attenuation DACL 3 18h | 7:0 | LDA3[7:0] | 11111111 (0dB) | Digital Attenuation control for DAC3 Left Channel (DACL3) in 0.5dB steps. See Table 23 |
| | 8 | UPDATE | Not latched | Controls simultaneous update of all Attenuation Latches 0 = Store LDA3 in intermediate latch (no change to output) 1 = Apply LDA3 and update attenuation on all channels |
| R25 Digital | 7:0 | RDA3[7:0] | 11111111 (0dB) | Digital Attenuation control for DAC3 Right Channel (DACR3) in 0.5dB steps. See Table 23. |

| REGISTER ADDRESS | BIT | LABEL | DEFAULT | DESCRIPTION |
|--|-----|--------------|-------------------|--|
| Attenuation DACR 3 19h | 8 | UPDATE | Not latched | Controls simultaneous update of all Attenuation Latches 0 = Store RDA3 in intermediate latch (no change to output) 1 = Apply RDA3 and update attenuation on all channels |
| R28 Master Digital Attenuation 1Ch | 7:0 | MASTDA[7:0] | 11111111 (0dB) | Digital Attenuation control for all DAC channels in 0.5dB steps. See Table 23 |
| | 8 | UPDATE | Not latched | Controls simultaneous update of all Attenuation Latches 0 = Store gain in intermediate latch (no change to output) 1 = Apply gain and update attenuation on all channels |
| R29 ADC Control 1 1Dh | 0 | AMUTEL | 0 | ADC Mute select 0 = Normal Operation 1 = mute ADC left |
| | 1 | AMUTER | 0 | ADC Mute select 0 = Normal Operation 1 = mute ADC right |
| | 2 | AMUTEALL | 0 | ADC Mute select 0 = Normal Operation 1 = mute both ADC channels |
| | 3 | ADCOSR | 0 | ADC oversample rate select 0 = 128/64 x oversampling 1 = 64/32 x oversampling |
| | 4 | ADCHPD | 0 | ADC high-pass filter disable: 0 = high-pass filter enabled 1 = high-pass filter disabled |
| | 7:5 | ADCRATE[2:0] | 010 | ADC Rate Control (only used when the S/PDIF Transmitter is the only interface sourcing the ADC) 000 = 128fs 001 = 192fs 010 = 256fs 011 = 384fs 100 = 512fs 101 = 768fs 110 = 1152fs |
| | 8 | VMIDSEL | 1 | VMID Impedance Selection 0 = High impedance, power saving 1 = Low impedance, fast power-on |
| R30 SPDIXCHAN 0 1Eh | 1:0 | TXSRC[1:0] | 10 | S/PDIF Transmitter Data Source 00 = S/PDIF received data (see REAL_THROUGH) 01 = ADC digital output data. 10 = Secondary Audio Interface 11 = Audio Interface received data |
| | 2 | OVWCHAN | 0 | Only used if TXSRC==00. Overwrites the 'through-path' Channel Bit with values determined by the channel-bit control registers. 0 = Channel data equal to recovered channel data. 1 = Channel data taken from channel status registers. |
| | 3 | REAL_THROUGH | 0 | S/PDIF Through Mode Control 0 = SPDIFOP pin sources output of S/PDIF Transmitter 1 = SPDIFOP pins sources output of S/PDIF IN Mux |

| REGISTER ADDRESS | BIT | LABEL | DEFAULT | DESCRIPTION | |
|---------------------------|----------------------------------|----------------------------------|----------|--|-----------------------------------|
| | 4 | TXVAL_OVWR | 0 | S/PDIF Transmitter Validity Overwrite Mode 0 = disabled, validity bit is 0 when transmitter sources ADC, PAIF or SAIF, or is matches the S/PDIF input validity when S/PDIF transmitter sources S/PDIF receiver. 1 = enabled, validity bit transmitted for subframe 0 is defined by TXVAL_SF0, validity bit transmitted for subframe 1 is defined by TXVAL_SF1. | |
| | 5 | TXVAL_SF0 | 0 | Overwrite Mode S/PDIF Transmitter Validity Sub-Frame 0 0 = transmit validity = 0 1 = transmit validity = 1 | |
| | 6 | TXVAL_SF1 | 0 | Overwrite Mode S/PDIF Transmitter Validity Sub-Frame 1 0 = transmit validity = 0 1 = transmit validity = 1 | |
| R31 SPDIXCHAN 1 1Fh | 0 | CON/PRO | 0 | 0 = Consumer Mode 1 = Professional Mode (not supported by WM8580) | |
| | 1 | AUDIO_N | 0 | 0 = S/PDIF transmitted data is audio PCM. 1 = S/PDIF transmitted data is not audio PCM. | |
| | 2 | CPY_N | 0 | 0 = Transmitted data has copyright asserted. 1 = Transmitted data has no copyright assertion. | |
| | 5:3 | DEEMPH[2:0] | 000 | 000 = Data from Audio interface has no pre-emphasis. 001 = Data from Audio interface has pre-emphasis. 010 = Reserved (Audio interface has pre-emphasis). 011 = Reserved (Audio interface has pre-emphasis). All other modes are reserved and should not be used. | |
| | 7:6 | CHSTMODE [1:0] | 00 | 00 = Only valid mode for consumer applications. | |
| R32 SPDIXCHAN 2 20h | 7:0 | CATCODE [7:0] | 00000000 | Category Code. Refer to S/PDIF specification for details. 00h indicates "general" mode | |
| R33 SPDIXCHAN 3 21h | 3:0 | SRCNUM [3:0] | 0000 | Indicates S/PDIF source number. No definitions are attached to data. | |
| | 5:4 | CHNUM1[1:0] | 00 | Channel Number for Subframe 1 | |
| | | | | CHNUM1 | Channel Status Bits[21:20] |
| | | | | 00 | 0000 = Do not use channel number |
| | | | | 01 | 0001 = Send to Left Channel |
| | | | | 10 | 0010 = Send to Right Channel |
| | 11 | 0000 = Do not use channel number | | | |
| | 7:6 | CHNUM2[1:0] | 00 | Channel Number for Subframe 2 | |
| | | | | CHNUM2 | Channel Status Bits[23:22] |
| | | | | 00 | 0000 = Do not use channel number |
| 01 | | | | 0001 = Send to Left Channel | |
| 10 | | | | 0010 = Send to Right Channel | |
| 11 | 0000 = Do not use channel number | | | | |
| R34 SPDIXCHAN 4 22h | 3:0 | FREQ[3:0] | 0001 | Sampling Frequency Indicated. Refer to S/PDIF specification IEC60958-3 for details. 0001 = Sampling Frequency not indicated. | |
| | 5:4 | CLKACU[1:0] | 11 | Clock Accuracy of Transmitted clock. 00 = Level II 01 = Level I 10 = Level III 11 = Interface frame rate not matched to sampling frequency. | |

| REGISTER ADDRESS | BIT | LABEL | DEFAULT | DESCRIPTION | | |
|---------------------------|------------------|--------------|---|---|-----------------|-----------------|
| R35 SPDIXCHAN 5 23h | 0 | MAXWL | 1 | Maximum Audio sample word length 0 = 20 bits 1 = 24 bits | | |
| | 3:1 | TXWL[2:0] | 101 | Audio Sample Word Length. 000 = Word Length Not Indicated | | |
| | | | | TXWL[2:0] | MAXWL==1 | MAXWL==0 |
| | | | | 001 | 20 bits | 16 bits |
| | | | | 010 | 22 bits | 18 bits |
| | | | | 100 | 23 bits | 19 bits |
| | | | | 101 | 24 bits | 20 bits |
| | | | | 110 | 21 bits | 17 bits |
| 7:4 | ORGSAMP [3:0] | 0000 | All other combinations reserved Original Sampling Frequency. See S/PDIF specification for details. 0000 = original sampling frequency not indicated | | | |
| R36 SPDMODE 24h | 0 | SPDIFIN1MODE | 1 | Selects the input circuit type for the SPDIFIN1 input 0 = CMOS-compatible input 1 = Comparator input. Compatible with 500mVpp AC coupled consumer S/PDIF input signals as defined in IEC-60958-3. | | |
| | 2:1 | RXINSEL[1:0] | 00 | S/PDIF Receiver input mux select. Note that the general purpose inputs must be configured using GPOxOP to be either CMOS or comparator inputs if selected by RXINSEL. 00 = SPDIFIN1 01 = SPDIFIN2 (MFP3) 10 = SPDIFIN3 (MFP4) 11 = SPDIFIN4 (MFP5) | | |
| | 6 | WL_MASK | 0 | S/PDIF Receiver Word Length Truncation Mask 0 = disabled, data word is truncated as described in Table 60. 1 = enabled, data word is not truncated. | | |
| R37 INTMASK 25h | 8:0 | MASK[8:0] | 00000000 | When a flag is masked, it does not update the Error Register or contribute to the interrupt pulse. 0 = unmask, 1 = mask. MASK[0] = mask control for UPD_UNLOCK MASK[1] = mask control for INT_INVALID MASK[2] = mask control for INT_CSUD MASK[3] = mask control for INT_TRANS_ERR MASK[4] = mask control for UPD_AUDIO_N MASK[5] = mask control for UPD_PCM_N MASK[6] = mask control for UPD_CPY_N MASK[7] = mask control for UPD_DEEMPH MASK[8] = mask control for UPD_REC_FREQ | | |

| REGISTER ADDRESS | BIT | LABEL | DEFAULT | DESCRIPTION |
|--------------------|-----|-------------|---------|--|
| R38 GPO1 26h | 3:0 | GPO1OP[3:0] | 0000 | 0000 = INT_N 0001 = V 0010 = U 0011 = C 0100 = P 0101 = SFRM_CLK 0110 = 192BLK 0111 = UNLOCK 1000 = CSUD 1001 = Invalid 1010 = ZFLAG 1011 = NON_AUDIO 1100 = CPY_N 1101 = DEEMP 1110 = Set GPO as S/PDIF input (standard CMOS input buffer). Only applicable for GPO3/4/5. 1111 = Set GPO as S/PDIF input ('comparator' input for AC coupled consumer S/PDIF signals). Only applicable for GPO3/4/5 |
| | 7:4 | GPO2OP[3:0] | 0001 | |
| | 8 | FILLMODE | 0 | Fill Mode Overwrite Configuration Determines S/PDIF receiver action when TRANS_ERR or INVALID flag is masked and error condition sets the flag: 0 = Data from S/PDIF receiver is overwritten with last valid data sample when flag is set. 1 = Data from S/PDIF receiver is overwritten as all zeros when flag is set. |
| R39 GPO2 27h | 3:0 | GPO3OP[3:0] | 0010 | 0000 = INT_N 0001 = V 0010 = U 0011 = C 0100 = P 0101 = SFRM_CLK 0110 = 192BLK 0111 = UNLOCK 1000 = CSUD 1001 = Invalid 1010 = ZFLAG 1011 = NON_AUDIO 1100 = CPY_N 1101 = DEEMP 1110 = Set GPO as S/PDIF input (standard CMOS input buffer). Only applicable for GPO3/4/5. 1111 = Set GPO as S/PDIF input ('comparator' input for AC coupled consumer S/PDIF signals). Only applicable for GPO3/4/5 |
| | 7:4 | GPO4OP[3:0] | 0011 | |
| | 8 | ALWAYSVALID | 0 | Automatic Error Handling Configuration for INVALID Flag 0 = INVALID flag automatic error handling enabled. 1 = INVALID flag automatic error handling disabled. |

| REGISTER ADDRESS | BIT | LABEL | DEFAULT | DESCRIPTION |
|--------------------------|-----|------------------|---------|---|
| R40 GPO3 28h | 3:0 | GPO5OP[3:0] | 0100 | 0000 = INT_N 0001 = V 0010 = U 0011 = C |
| | 7:4 | GPO6OP[3:0] | 0101 | |
| R41 GPO4 29h | 3:0 | GPO7OP[3:0] | 0110 | 0100 = P 0101 = SFRM_CLK 0110 = 192BLK |
| | 7:4 | GPO8OP[3:0] | 0111 | |
| R42 GPO5 2Ah | 3:0 | GPO9OP[3:0] | 1000 | 0111 = UNLOCK 1000 = CSUD 1001 = Invalid 1010 = ZFLAG 1011 = NON_AUDIO 1100 = CPY_N 1101 = DEEMPH 1110 = Set GPO as S/PDIF input (standard CMOS input buffer). Only applicable for GPO3/4/5. 1111 = Set GPO as S/PDIF input ('comparator' input for AC coupled consumer S/PDIF signals). Only applicable for GPO3/4/5 |
| | 7:4 | GPO10OP [3:0] | 1001 | |
| R43 INTSTAT 2Bh | 0 | UPD_UNLOCK | - | UNLOCK flag update signal 0 = INT_N not caused by update to UNLOCK flag 1 = INT_N caused by update to UNLOCK flag |
| | 1 | INT_INVALID | - | INVALID flag interrupt signal 0 = INT_N not caused by INVALID flag 1 = INT_N caused by INVALID flag |
| | 2 | INT_CSUD | - | CSUD flag interrupt signal 0 = INT_N not caused by CSUD flag 1 = INT_N caused by CSUD flag |
| | 3 | INT_TRANS_ERR | - | TRANS_ERR flag interrupt signal 0 = INT_N not caused by TRANS_ERR flag 1 = INT_N caused by TRANS_ERR flag |
| | 4 | UPD_NON_AUDIO | - | NON_AUDIO update signal 0 = INT_N not caused by update to NON_AUDIO flag 1 = INT_N caused by update to NON_AUDIO flag |
| | 5 | UPD_CPY_N | - | CPY_N update signal 0 = INT_N not caused by update to CPY_N flag 1 = INT_N caused by update to CPY_N flag |
| | 6 | UPD_DEEMPH | - | DEEMPH update signal 0 = INT_N not caused by update to DEEMPH flag 1 = INT_N caused by update to DEEMPH flag |
| | 7 | UPD_REC_FREQ | - | REC_FREQ update signal 0 = INT_N not caused by update to REC_FREQ flag 1 = INT_N caused by update to REC_FREQ flag |
| R44 SPDRXCHAN 1 2C | 0 | CON/PRO | - | 0 = Consumer Mode 1 = Professional Mode The WM8580 is a consumer mode device. Detection of professional mode may give erroneous behaviour. |
| | 1 | AUDIO_N | - | Linear PCM Identification 0 = Data word represents audio PCM samples. 1 = Data word does not represent audio PCM samples. |
| | 2 | CPY_N | - | 0 = Copyright is asserted for this data. 1 = Copyright is not asserted for this data. |
| | 3 | DEEMPH | - | 0 = Recovered S/PDIF data has no pre-emphasis. 1 = Recovered S/PDIF data has pre-emphasis. |

| REGISTER ADDRESS | BIT | LABEL | DEFAULT | DESCRIPTION | | |
|--|------------------|-------------------|--|---|-----------------|-----------------|
| | 5:4 | Reserved | - | Reserved for additional de-emphasis modes. | | |
| | 7:6 | CHSTMODE [1:0] | - | 00 = Only valid mode for consumer applications. | | |
| R45 SPDRXCHAN 2 2Dh | 7:0 | CATCODE [7:0] | - | Category Code. Refer to S/PDIF specification for details. 00h indicates "general" mode. | | |
| R46 SPDRXCHAN 3 2Eh | 3:0 | SRCNUM [3:0] | - | Indicates S/PDIF source number. | | |
| | 5:4 | CHNUM1[1:0] | - | Channel number for sub-frame 1. 00 = Take no account of channel number (channel 1 defaults to left DAC) 01 = channel 1 to left channel 10 = channel 1 to right channel | | |
| | 7:6 | CHNUM2[1:0] | - | Channel number for sub-frame 2. 00 = Take no account of channel number (channel 2 defaults to left DAC) 01 = channel 2 to left channel 10 = channel 2 to right channel | | |
| R47 SPDRXCHAN 4 2Fh | 3:0 | FREQ[3:0] | - | Sampling Frequency Indicated Refer to S/PDIF specification IEC60958-3 for details. 0001 = Sampling Frequency not indicated. | | |
| | 5:4 | CLKACU[1:0] | - | Clock Accuracy of received clock. 00 = Level II 01 = Level I 10 = Level III 11 = Interface frame rate not matched to sampling frequency. | | |
| R48 SPDRXCHAN 5 30h | 0 | MAXWL | - | Maximum Audio sample word length 0 = 20 bits 1 = 24 bits | | |
| | 3:1 | RXWL[2:0] | - | Audio Sample Word Length. 000: Word Length Not Indicated | | |
| | | | | RXWL[2:0] | MAXWL==1 | MAXWL==0 |
| | | | | 001 | 20 bits | 16 bits |
| | | | | 010 | 22 bits | 18 bits |
| | | | | 100 | 23 bits | 19 bits |
| | | | | 101 | 24 bits | 20 bits |
| | 110 | 21 bits | 17 bits | | | |
| All other combinations are reserved and may give erroneous operation. Data will be truncated internally when these bits are set unless WL_MASK is set. | | | | | | |
| 7:4 | ORGSAMP [3:0] | - | Original Sampling Frequency. See S/PDIF specification for details. 0000 = original sampling frequency not indicated | | | |
| R49 SPDSTAT 31h | 0 | AUDIO_N | - | Linear PCM Identification 0 = Data word represents audio PCM samples. 1 = Data word does not represent audio PCM samples. | | |
| | 1 | PCM_N | - | Indicates that non-audio code (defined in IEC-61937) has been detected. 0 = Sync code not detected. 1 = Sync code detected – received data is not audio PCM. | | |

| REGISTER ADDRESS | BIT | LABEL | DEFAULT | DESCRIPTION |
|-----------------------|-----|-------------------|---------|---|
| | 2 | CPY_N | - | Recovered Channel Status bit-2. 0 = Copyright is asserted for this data. 1 = Copyright is not asserted for this data. Note this signal is inverted and will cause an interrupt on logic 0. |
| | 3 | DEEMPH | - | Recovered Channel Status bit-3 0 = Recovered S/PDIF data has no pre-emphasis. 1 = Recovered S/PDIF data has pre-emphasis |
| | 5:4 | REC_FREQ [1:0] | -- | Indicates recovered S/PDIF clock frequency: 00 = Invalid 01 = 96kHz / 88.2kHz 10 = 48kHz / 44.1kHz 11 = 32kHz |
| | 6 | UNLOCK | - | Indicates that the S/PDIF Clock Recovery circuit is unlocked or that the input S/PDIF signal is not present. 0 = Locked onto incoming S/PDIF stream. 1 = Not locked to the incoming S/PDIF stream or the incoming S/PDIF stream is not present. |
| R50 PWRDN 1 32h | 0 | PWDN | 0 | Chip Powerdown Control (works in tandem with the other powerdown registers): 0 = All digital circuits running, outputs are active 1 = All digital circuits in power save mode, outputs muted |
| | 1 | ADCPD | 1 | ADC powerdown: 0 = ADC enabled 1 = ADC disabled |
| | 4:2 | DACPD[2:0] | 111 | DAC powerdowns (0 = DAC enabled, 1 = DAC disabled) DACPD[0] = DAC1 DACPD[1] = DAC2 DACPD[2] = DAC3 |
| | 6 | ALLDACPD | 1 | Overrides DACPD[3:0] 0 = DACs under control of DACPD[3:0] 1 = All DACs are disabled. |
| R51 PWRDN 2 33h | 0 | OSCPD | 0 | OSC power down 0 = OSC enabled 1 = OSC disabled |
| | 1 | PLLAPD | 1 | 0 = PLLA enabled 1 = PLLA disabled |
| | 2 | PLLBPD | 1 | 0 = PLLB enable 1 = PLLB disable |
| | 3 | SPDIFPD | 1 | S/PDIF Clock Recovery PowerDown 0 = S/PDIF enabled 1 = S/PDIF disabled |
| | 4 | SPDIFTXD | 1 | S/PDIF Transmitter powerdown 0 = S/PDIF Transmitter enabled 1 = S/PDIF Transmitter disabled |
| | 5 | SPDIFRXD | 1 | S/PDIF Receiver powerdown 0 = S/PDIF Receiver enabled 1 = S/PDIF Receiver disabled |

| REGISTER ADDRESS | BIT | LABEL | DEFAULT | DESCRIPTION |
|------------------------|-----|------------------|---------|---|
| R52 READBACK 34h | 2:0 | READMUX [2:0] | 000 | Determines which status register is to be read back: 000 = Error Register 001 = Channel Status Register 1 010 = Channel Status Register 2 011 = Channel Status Register 3 100 = Channel Status Register 4 101 = Channel Status Register 5 110 = S/PDIF Status Register |
| | 3 | CONTREAD | 0 | Continuous Read Enable. 0 = Continuous read-back mode disabled 1 = Continuous read-back mode enabled |
| | 4 | READEN | 0 | Read-back mode enable. 0 = read-back mode disabled 1 = read-back mode enabled |
| R53 RESET 35h | 8:0 | RESET | n/a | Writing to this register will apply a reset to the device registers. |

DIGITAL FILTER CHARACTERISTICS

| PARAMETER | TEST CONDITIONS | MIN | TYP | MAX | UNIT |
|----------------------|-----------------|----------|---------|------------|------|
| ADC Filter | | | | | |
| Passband | ± 0.01 dB | 0 | | 0.4535fs | |
| | -6dB | | 0.5fs | | |
| Passband ripple | | | | ± 0.01 | dB |
| Stopband | | 0.5465fs | | | |
| Stopband Attenuation | $f > 0.5465fs$ | -65 | | | dB |
| DAC Filter | | | | | |
| Passband | ± 0.05 dB | | | 0.444fs | |
| | -3dB | | 0.487fs | | |
| Passband ripple | | | | ± 0.05 | dB |
| Stopband | | 0.555fs | | | |
| Stopband Attenuation | $f > 0.555fs$ | -60 | | | dB |

Table 77 Digital Filter Characteristics

DAC FILTER RESPONSES

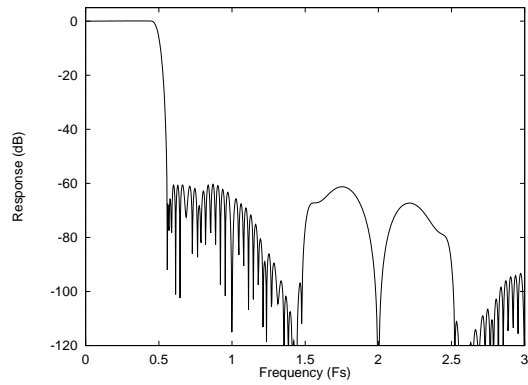


Figure 37 DAC Digital Filter Frequency Response – 44.1, 48 and 96kHz

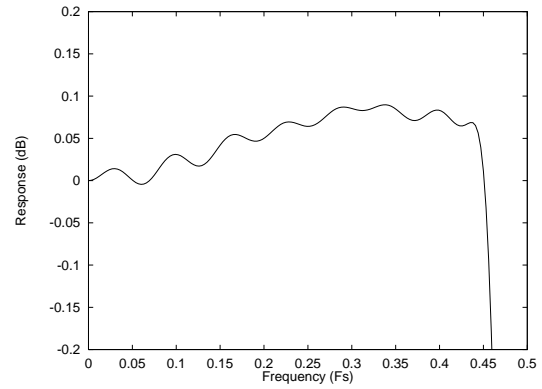


Figure 38 DAC Digital Filter Ripple – 44.1, 48 and 96kHz

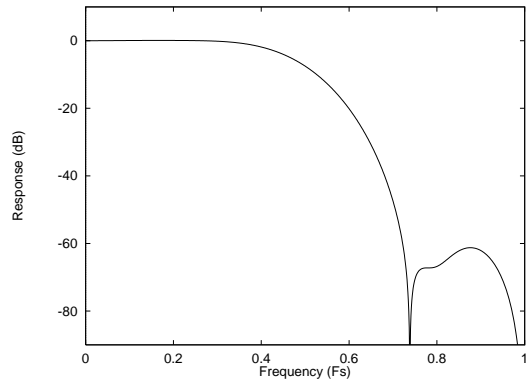


Figure 39 DAC Digital Filter Frequency Response – 192kHz

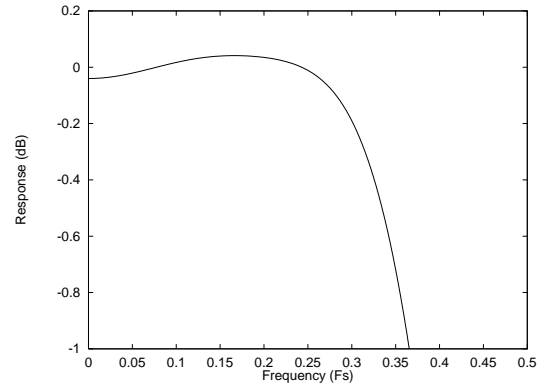


Figure 40 DAC Digital Filter Ripple – 192kHz

DIGITAL DE-EMPHASIS CHARACTERISTICS

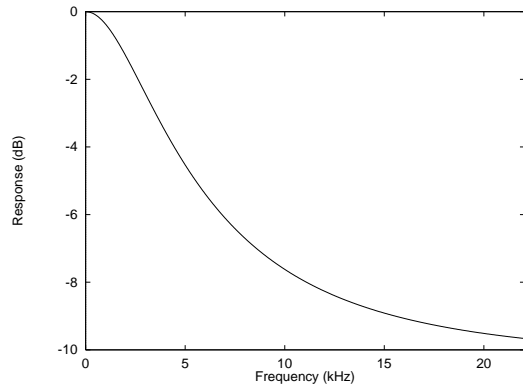


Figure 41 De-Emphasis Frequency Response (44.1kHz)

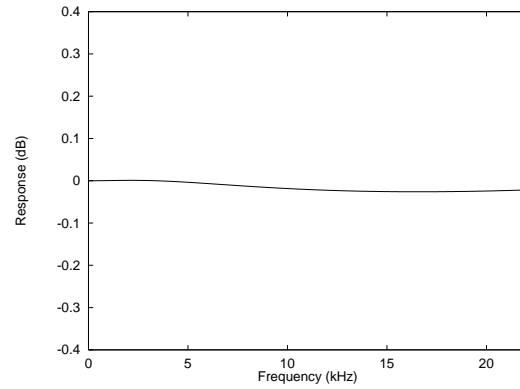


Figure 42 De-Emphasis Error (44.1kHz)

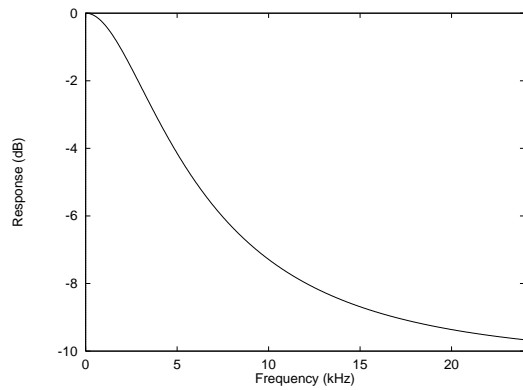


Figure 43 De-Emphasis Frequency Response (48kHz)

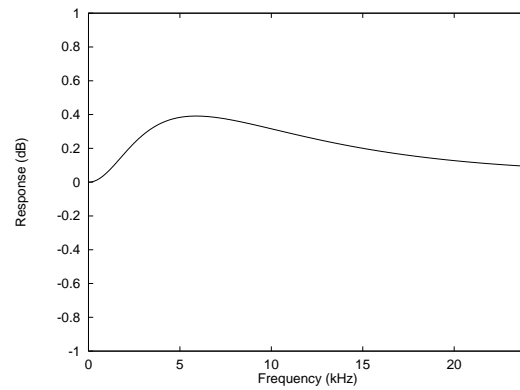


Figure 44 De-Emphasis Error (48kHz)

ADC FILTER RESPONSES

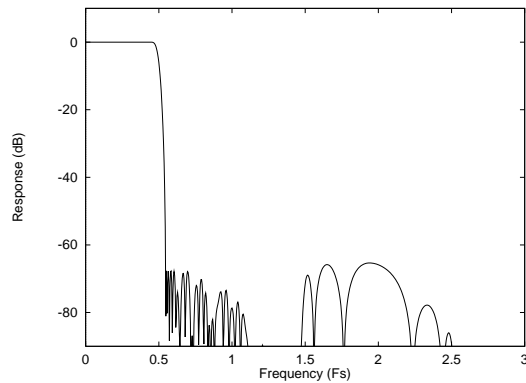


Figure 45 ADC Digital Filter Frequency Response

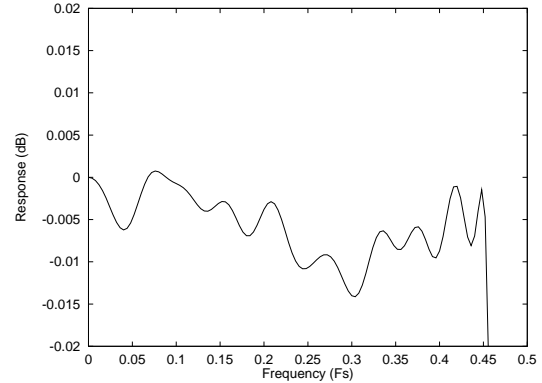


Figure 46 ADC Digital Filter Ripple

ADC HIGH PASS FILTER

The WM8580 has a selectable digital high pass filter to remove DC offsets. The filter response is characterised by the following polynomial.

$$H(z) = \frac{1 - z^{-1}}{1 - 0.9995z^{-1}}$$

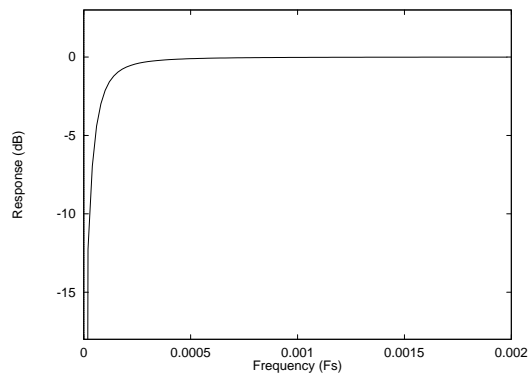
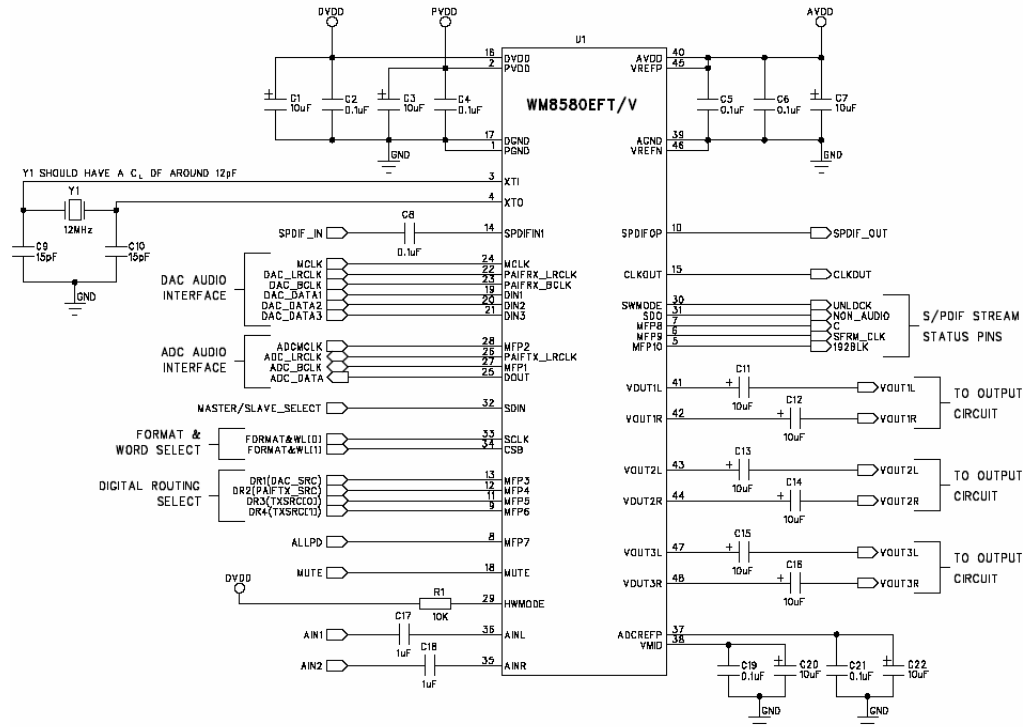


Figure 47 ADC Highpass Filter Response

APPLICATIONS INFORMATION

RECOMMENDED EXTERNAL COMPONENTS

Hardware Mode Recommended Setup

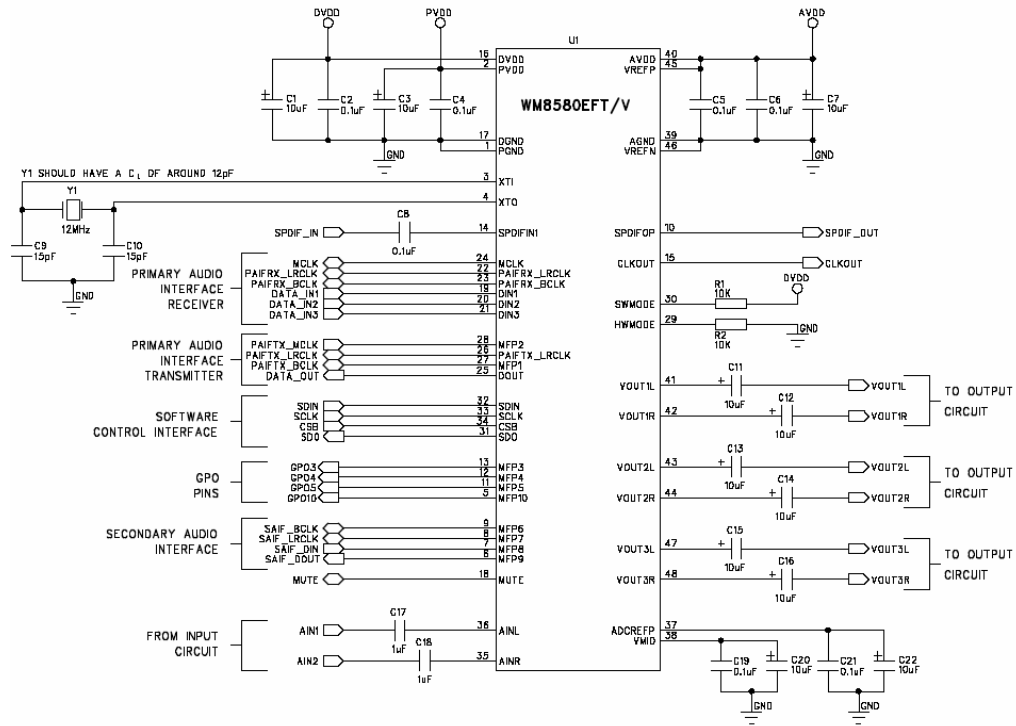


Notes:

1. If separate ground planes are used, they should be joined as close to the WM8580 as possible.
2. C2, C4-8, C19 & C21 should be positioned as close to the WM8580 as possible.
3. The 10uF and 0.1uF de-coupling combination may be replaced with a single 4.7uF capacitor in systems where power supply noise is minimal.
4. DVDD & PVDD may be tied together, but for optimum performance it is recommended that they be kept separate.
5. R1 is optional.

Figure 48 Recommended External Components

Software Made Recommended Setup

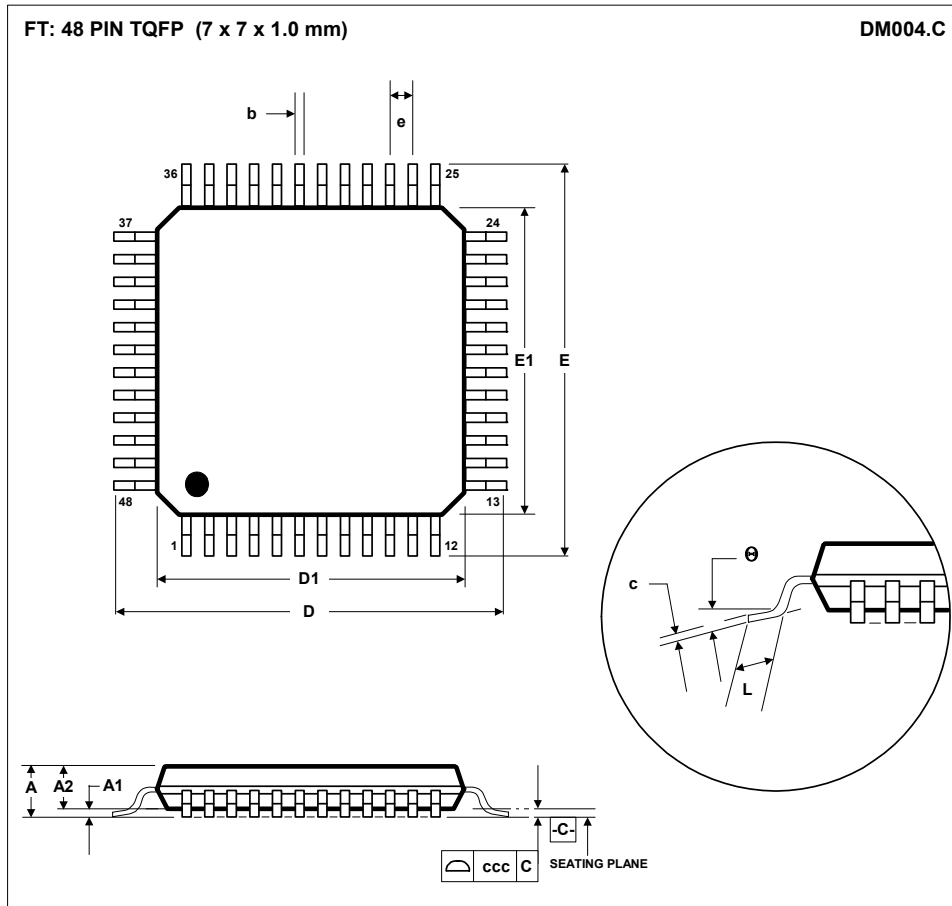


Notes:

1. If separate ground planes are used, they should be joined as close to the WM8580 as possible.
2. C2, C4-6, C19 & C21 should be positioned as close to the WM8580 as possible.
3. The 10uF and 0.1uF de-coupling combination may be replaced with a single 4.7uF capacitor in systems where power supply noise is minimal.
4. DVDD & PVDD may be tied together, but for optimum performance it is recommended that they be kept separate.
5. Only one MFP configuration is shown and others are possible. Refer to "Multi-Function Pin Configuration" diagram.
6. R1 and R2 are optional.

Figure 49 Recommended External Components

PACKAGE DIMENSIONS



| Symbols | Dimensions (mm) | | |
|---------------------------------|------------------|-------|------|
| | MIN | NOM | MAX |
| A | ----- | ----- | 1.20 |
| A₁ | 0.05 | ----- | 0.15 |
| A₂ | 0.95 | 1.00 | 1.05 |
| b | 0.17 | 0.22 | 0.27 |
| c | 0.09 | ----- | 0.20 |
| D | 9.00 BSC | | |
| D₁ | 7.00 BSC | | |
| E | 9.00 BSC | | |
| E₁ | 7.00 BSC | | |
| e | 0.50 BSC | | |
| L | 0.45 | 0.60 | 0.75 |
| θ | 0° | 3.5° | 7° |
| Tolerances of Form and Position | | | |
| ccc | 0.08 | | |
| REF: | JEDEC.95, MS-026 | | |

NOTES:
 A. ALL LINEAR DIMENSIONS ARE IN MILLIMETERS.
 B. THIS DRAWING IS SUBJECT TO CHANGE WITHOUT NOTICE.
 C. BODY DIMENSIONS DO NOT INCLUDE MOLD FLASH OR PROTRUSION, NOT TO EXCEED 0.25MM.
 D. MEETS JEDEC.95 MS-026, VARIATION = ABC. REFER TO THIS SPECIFICATION FOR FURTHER DETAILS.

IMPORTANT NOTICE

Wolfson Microelectronics plc ("Wolfson") products and services are sold subject to Wolfson's terms and conditions of sale, delivery and payment supplied at the time of order acknowledgement.

Wolfson warrants performance of its products to the specifications in effect at the date of shipment. Wolfson reserves the right to make changes to its products and specifications or to discontinue any product or service without notice. Customers should therefore obtain the latest version of relevant information from Wolfson to verify that the information is current.

Testing and other quality control techniques are utilised to the extent Wolfson deems necessary to support its warranty. Specific testing of all parameters of each device is not necessarily performed unless required by law or regulation.

In order to minimise risks associated with customer applications, the customer must use adequate design and operating safeguards to minimise inherent or procedural hazards. Wolfson is not liable for applications assistance or customer product design. The customer is solely responsible for its selection and use of Wolfson products. Wolfson is not liable for such selection or use nor for use of any circuitry other than circuitry entirely embodied in a Wolfson product.

Wolfson's products are not intended for use in life support systems, appliances, nuclear systems or systems where malfunction can reasonably be expected to result in personal injury, death or severe property or environmental damage. Any use of products by the customer for such purposes is at the customer's own risk.

Wolfson does not grant any licence (express or implied) under any patent right, copyright, mask work right or other intellectual property right of Wolfson covering or relating to any combination, machine, or process in which its products or services might be or are used. Any provision or publication of any third party's products or services does not constitute Wolfson's approval, licence, warranty or endorsement thereof. Any third party trade marks contained in this document belong to the respective third party owner.

Reproduction of information from Wolfson datasheets is permissible only if reproduction is without alteration and is accompanied by all associated copyright, proprietary and other notices (including this notice) and conditions. Wolfson is not liable for any unauthorised alteration of such information or for any reliance placed thereon.

Any representations made, warranties given, and/or liabilities accepted by any person which differ from those contained in this datasheet or in Wolfson's standard terms and conditions of sale, delivery and payment are made, given and/or accepted at that person's own risk. Wolfson is not liable for any such representations, warranties or liabilities or for any reliance placed thereon by any person.

ADDRESS:

Wolfson Microelectronics plc
Westfield House
26 Westfield Road
Edinburgh
EH11 2QB
United Kingdom

Tel :: +44 (0)131 272 7000

Fax :: +44 (0)131 272 7001

Email :: sales@wolfsonmicro.com