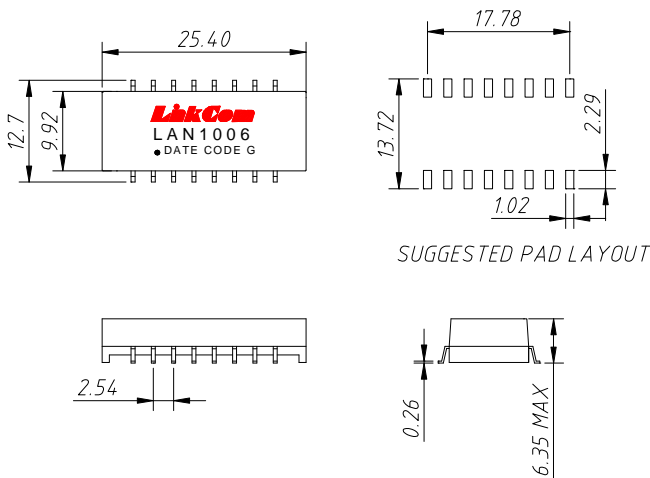


10/100BASE-Tx Magnetics Module

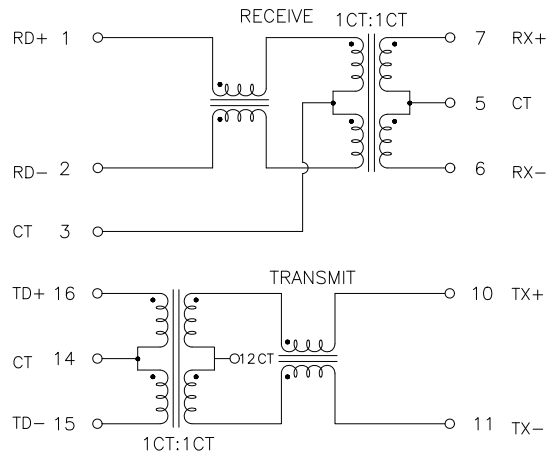
- Meets IEEE 802.3 standard
- RoHS Compliant
- Single port configuration
- Design for 100base-Tx transmission over UTP-5 cable
- Operating Temperature: 0°C~70°C

Electrical Specification @25°C			
OCL:	350uH Min. @100KHz/0.1V with 8mA DC Bias		
Hi-POT :	1500Vrms.		
Turn Ratio:	1CT±3%:1CT		
D.C.R:	0.9ohm Max.		
Insertion Loss:	0.1-100MHz -1.0dB Max.		
Return Loss:	1-30MHz	40MHz	60~80MHz
	-18dB Min.	-14.4dB Min.	-10B Min.
D.C.M.R. :	30MHz	60MHz	100MHz
	-40dB Min.	-35dB Min.	-30dB Min.
Cross Talk :	30MHz	60MHz	100MHz
	-45dB Min.	-40dB Min.	-35dB Min.

Dimensions



Schematic



Units: mm
Unless otherwise specified, all tolerances are ±0.25