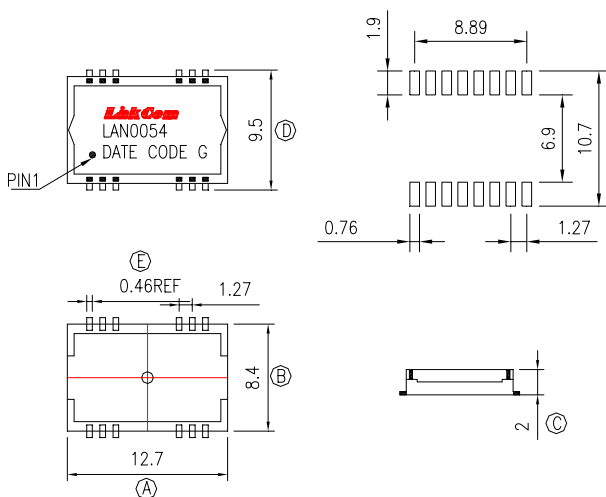


10/100BASE-Tx PC Card LAN Magnetics Module

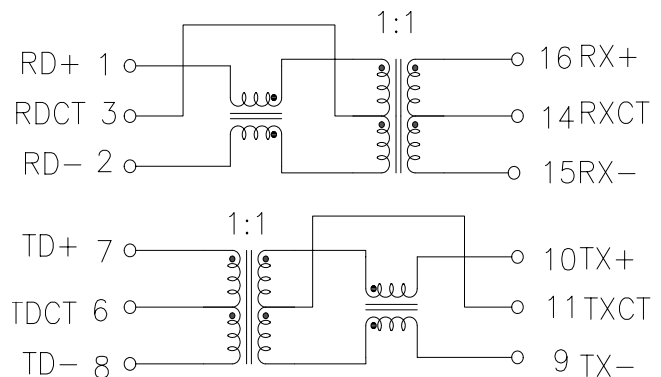
- Meets IEEE 802.3 standard
- RoHS Compliant
- Single port configuration
- Low profile packages for PC card and cardbus applications
- Operating Temperature: 0 ~70

Electrical Specification @25			
OCL:	350uH Min. @100KHz/0.1V with 8mA DC Bias		
Hi-POT :	1500Vrms		
Turn Ratio:	1:1±3%		
D.C.R:	0.9 ohm Max. @25°C		
Insertion Loss	0.1-100MHz -1.2dB Max.		
Return Loss	30MHz	60MHz	80MHz
	-16dB Min.	-12dB Min.	-10dB Min.
Cross Talk	30MHz	60-80MHz	100MHz
	-45dB Min.	-40dB Min.	-35dB Min.

Dimensions



Schematic



Units: mm

Unless otherwise specified, all tolerances are ±0.25