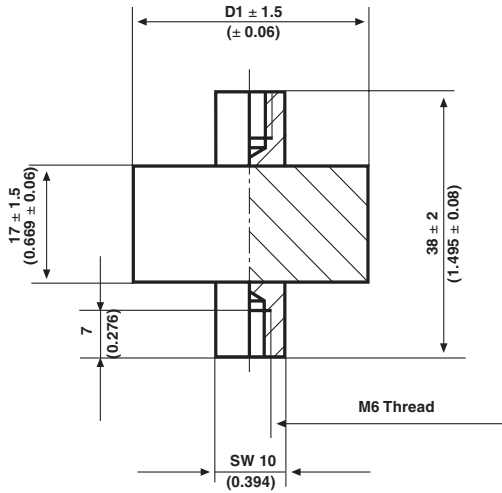
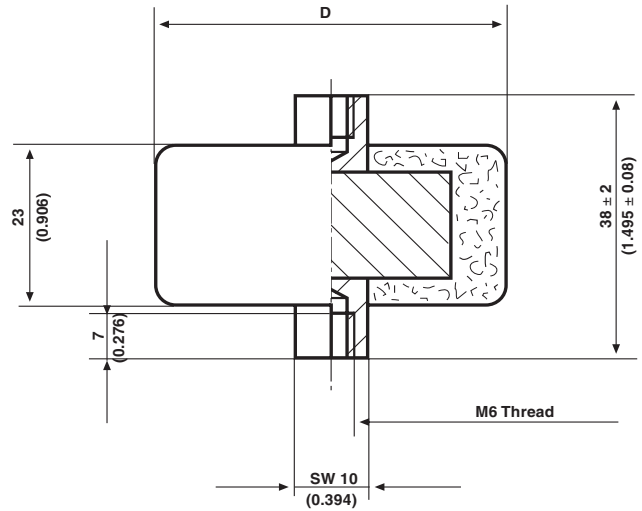


High Voltage Disc Capacitors, Screw mounting

HPD, 20 KV_{DC}



HPC, 20 KV_{DC}



• Dimensions in millimeters (inches)

CERAMIC	CAPACITANCE VALUE [pF]	RATED VOLTAGE*	RF - RATED CURRENT**	D1	D
R 2000 H	350	20 KV _{DC} or 15 KV _{RMS} up to 120 Hz	6 A _{RMS} max.	21 (0.827)	50 max. (1.969 max.)
	500			25 (0.984)	50 max. (1.969 max.)
	750			30 (1.181)	50 max. (1.969 max.)
	1000			35 (1.378)	50 max. (1.969 max.)
	1500			43 (1.693)	60 max. (2.362 max.)
	2000			49 (1.929)	60 max. (2.362 max.)
	3000			59 (2.323)	70 max. (2.756 max.)
	5000			75 (2.953)	90 max. (3.453 max.)

* For model HPD these values apply only under conditions of high insulation, e.g. when operating under oil.

When using the capacitors in free air, the rated voltage is reduced to 7 KV_{DC}.

** Max. ambient temperature + 60 °C

FINISH:

Capacitor body completely lacquered (HPD model) or protected with silicone rubber (HPC model).

MARKING:

Capacitance value and tolerance, DRALORIC Logo

APPLICATION:

High voltage capacitors made from Class 2 - ceramic dielectric can be used as coupling and bypass capacitors where low power ratings are required and larger capacitance changes with temperature can be tolerated.

CAPACITANCE TOLERANCES: ± 20 %

MATERIAL:

Capacitor elements made from Class 1 or 2 ceramic dielectric with noble metal electrodes.

ORDERING INFORMATION				
HPD (60)	20 KV _{DC}	2000 pF	± 20 %	R 2000 H
MODEL	RATED VOLTAGE	CAPACITANCE VALUE	TOLERANCE	CERAMIC



Disclaimer

All product specifications and data are subject to change without notice.

Vishay Intertechnology, Inc., its affiliates, agents, and employees, and all persons acting on its or their behalf (collectively, "Vishay"), disclaim any and all liability for any errors, inaccuracies or incompleteness contained herein or in any other disclosure relating to any product.

Vishay disclaims any and all liability arising out of the use or application of any product described herein or of any information provided herein to the maximum extent permitted by law. The product specifications do not expand or otherwise modify Vishay's terms and conditions of purchase, including but not limited to the warranty expressed therein, which apply to these products.

No license, express or implied, by estoppel or otherwise, to any intellectual property rights is granted by this document or by any conduct of Vishay.

The products shown herein are not designed for use in medical, life-saving, or life-sustaining applications unless otherwise expressly indicated. Customers using or selling Vishay products not expressly indicated for use in such applications do so entirely at their own risk and agree to fully indemnify Vishay for any damages arising or resulting from such use or sale. Please contact authorized Vishay personnel to obtain written terms and conditions regarding products designed for such applications.

Product names and markings noted herein may be trademarks of their respective owners.