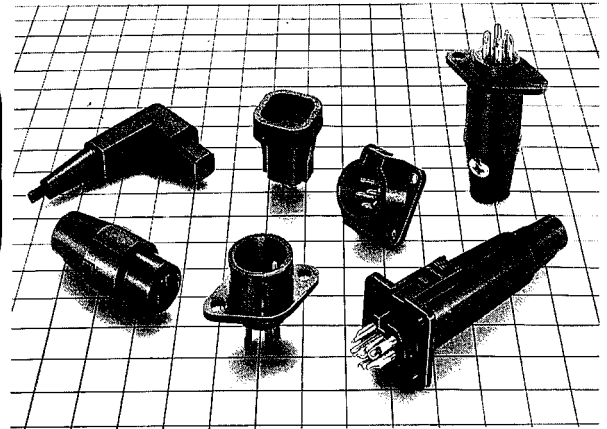


# RP SERIES CIRCULAR PLASTIC CONNECTORS

## Scope

RP series plastic connectors are developed to meet the demands of low cost and light weight consumer electronic equipment. Its unique one-touch locking mechanism is a push-on system. It offers easy coupling and stable performance.



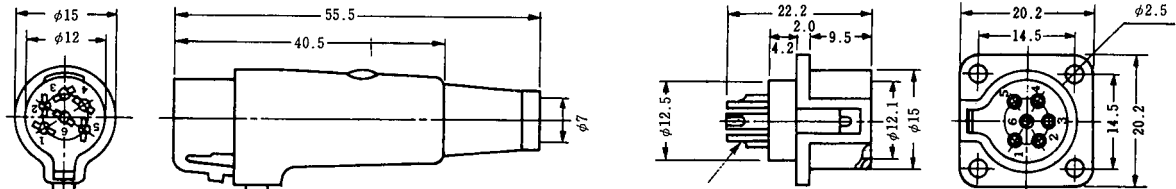
## Material and Finish

| Description           | Material                             | Finish         |
|-----------------------|--------------------------------------|----------------|
| Molding and Insulator | Polyamide resin and Polyacetal resin | —              |
| Male pin              | Brass                                | Silver plating |
| Female pin            | Phosphor bronze                      | Silver plating |

## Performance

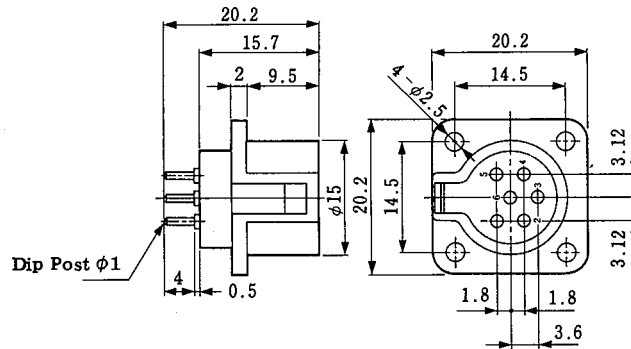
| Description           | Test data                  |                          |
|-----------------------|----------------------------|--------------------------|
|                       | RPC1 · RPC2                | RP9                      |
| Withstand voltage     | AC500V/1 minute            | AC300V/1 minute          |
| Current capacity      | 5A                         | 1A                       |
| Insulation resistance | DC500V/1,000M $\Omega$ min | DC100V/200M $\Omega$ min |
| Contact resistance    | 5m $\Omega$ max at DC1A    | 10m $\Omega$ max at DC1A |

## RPC1



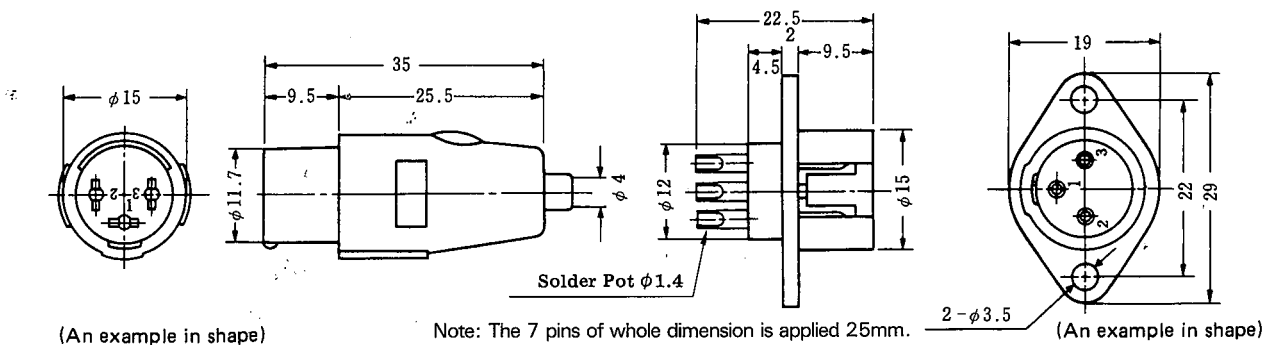
| HRS No.       | Part No.        | No. of pin | Colour |
|---------------|-----------------|------------|--------|
| 113-0001-8    | RPC1-12P-6S     | 6          | Gray   |
| 113-0001-8-03 | RPC1-12P-6S(03) | 6          | Black  |

| HRS No.       | Part No.         | No. of pin | Colour |
|---------------|------------------|------------|--------|
| 113-0020-2    | RPC1-12RB-6P     | 6          | Black  |
| 113-0020-2-01 | RPC1-12RB-6P(01) | 6          | Gray   |



| HRS No.    | Part No.      | No. of pin | Colour |
|------------|---------------|------------|--------|
| 113-0065-0 | RPC1-12RB-6PD | 6          | Black  |

## ■RPC2



(An example in shape)

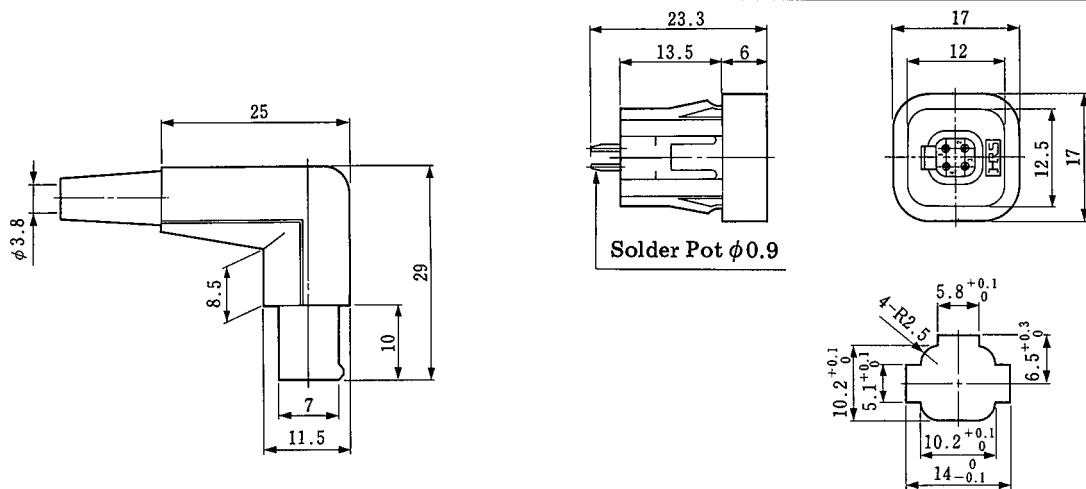
Note: The 7 pins of whole dimension is applied 25mm.

(An example in shape)

| HRS No.    | Part No.    | No. of pin | Colour |
|------------|-------------|------------|--------|
| 113-0003-3 | RPC2-12P-3S | 3          | Blue   |
| 113-0015-2 | RPC2-12P-7S | 7          | Blue   |

| HRS No.       | Part No.         | No. of pin | Colour |
|---------------|------------------|------------|--------|
| 113-0023-0-01 | RPC2-12RB-3P(01) | 3          | Blue   |
| 113-0024-3-01 | RPC2-12RB-7P(01) | 7          | Blue   |

## ■RP9



| HRS No.    | Part No.  | No. of pin | Colour |
|------------|-----------|------------|--------|
| 113-0049-4 | RP9-7P-4P | 4          | Black  |

| HRS No.    | Part No.  | No. of pin | Colour |
|------------|-----------|------------|--------|
| 113-0050-3 | RP9-7R-4S | 4          | Black  |

Remark: Applicable panel thickness: 1.6±0.03mm.