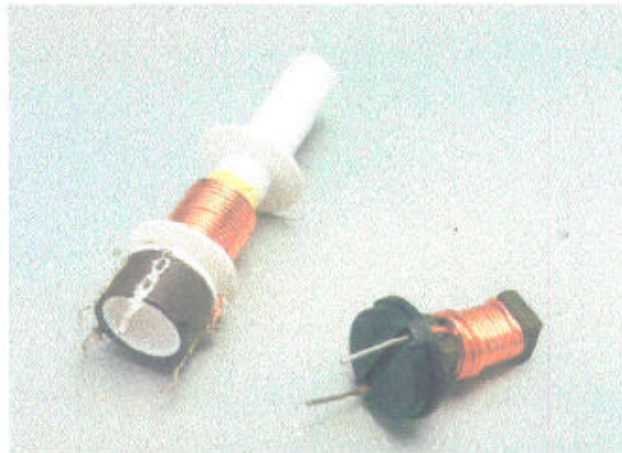
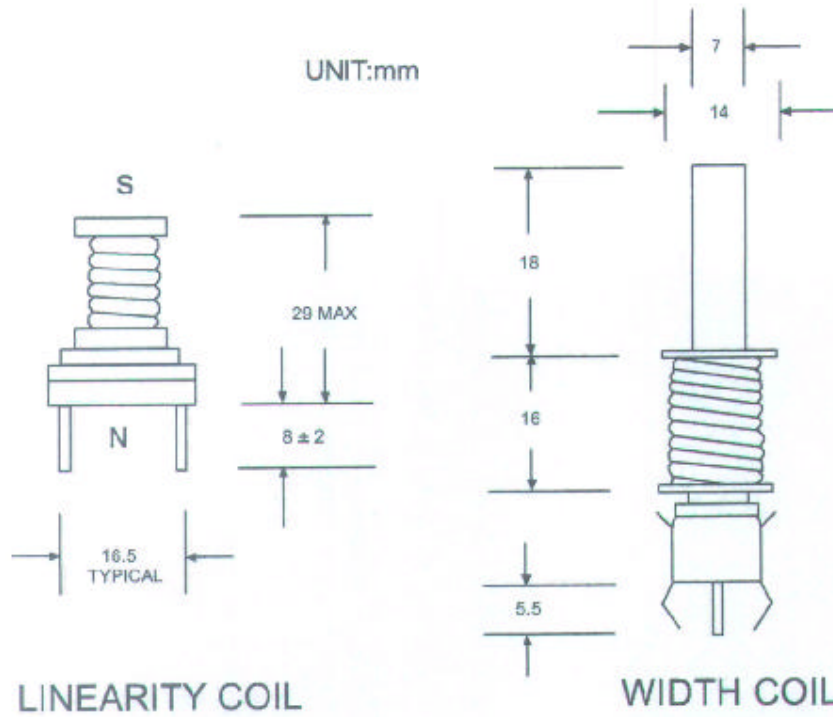


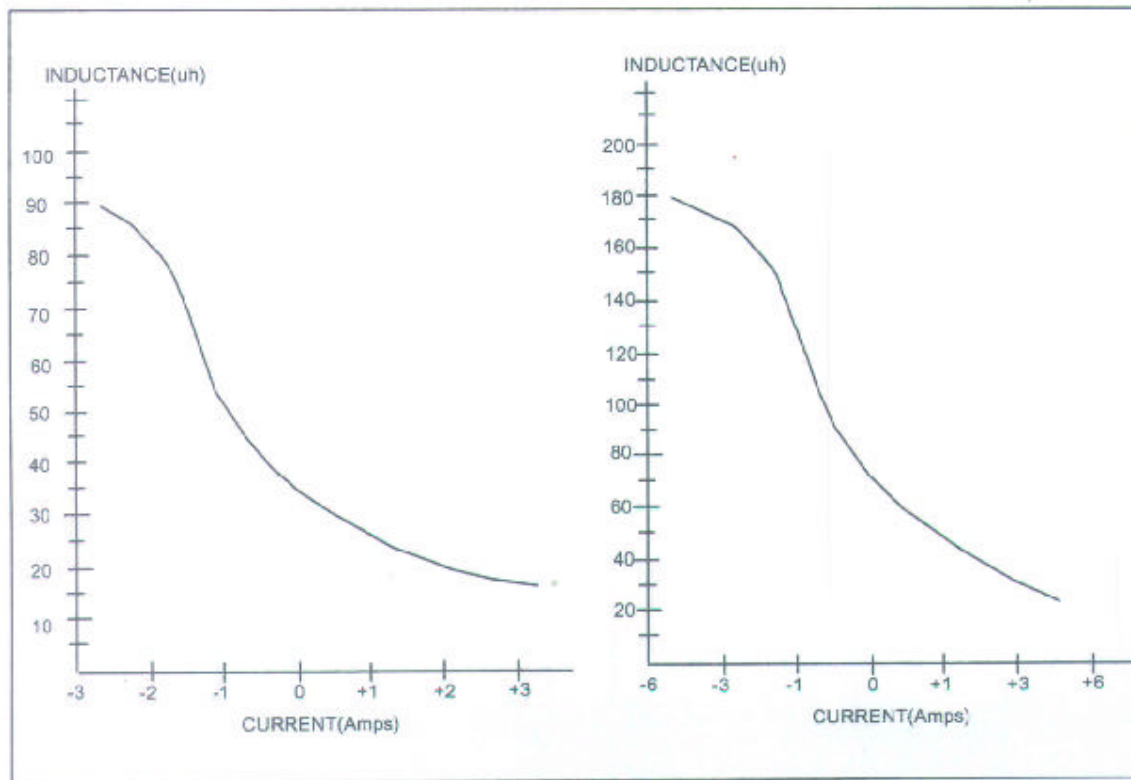
LINEARITY/ WIDTH COIL FOR VIDEO DISPLAY



UNIT:mm



INDUCTANCE VS CURRENT CURVES FOR LINEARITY COIL



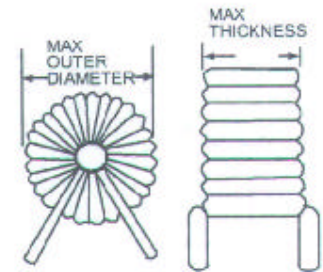
ELECTRICAL SPECIFICATION FOR WIDTH COIL

INDUCTANCE	: 8 μ H ~ 38 μ H
D.C.R.	: 0.05 OHM
TURNS	: 36-1/2 (FOR REF)
TORSION	: 0.6 KG/CM

ELECTRICAL AND MECHANICAL SPECIFICATIONS:

“T” TYPE POWER CHOKE

PART NO	CURRENT RATING (A)	D.C.R (mOHM)	20 KHZ IDUCTANCE (uH)	WIRE SIZE (mm)	MAX OUTER DIAMETER (mm)	MAX THICKNESS (mm)
TPC-02026	2	45	26	0.6	17	9
TPC-02125	2	95	125	0.6	17	12
TPC-03040	3	35	40	0.8	22	12
TPC-03110	3	55	110	0.8	22	12
TPC-05084	5	30	64	1.0	26	13
TPC-05100	5	40	100	1.0	26	13



“R” TYPE POWER CHOKE

PART NO	CURRENT RATING (A)	D.C.R (mOHM)	20 KHZ IDUCTANCE (UH)	WIRE SIZE (mm)	MAX OUTER DIAMETER (mm)	MAX THICKNESS (mm)
RPC-03005	3	18	5	0.8	12.7	17.0
RPC-03100	3	60	100	0.8	12.7	26.5
RPC-05025	5	20	25	1.0	12.7	23.0
RPC-05400	5	110	400	1.0	25.0	21.5
RPC-10100	10	32	100	1.30	28.0	21.5
RPC-10300	10	52	300	1.30	35.6	25.5

