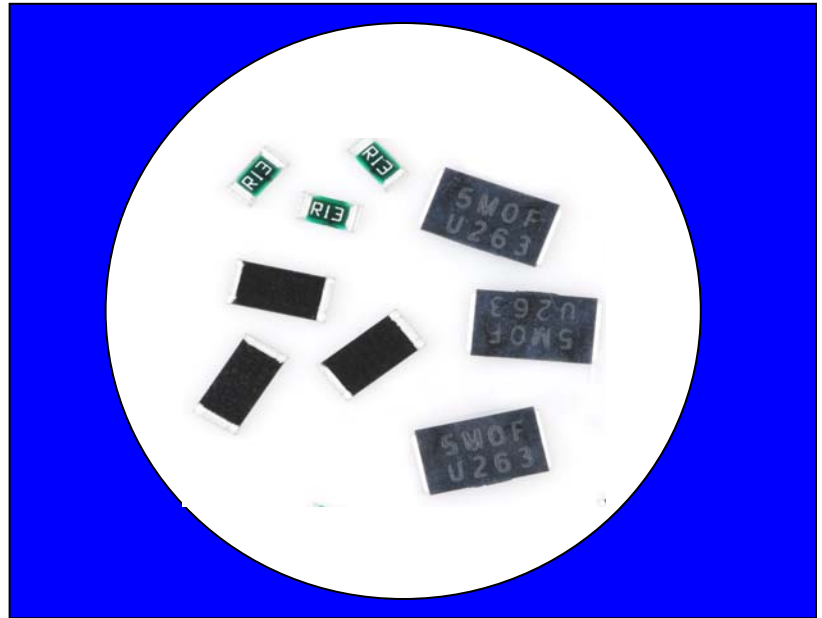


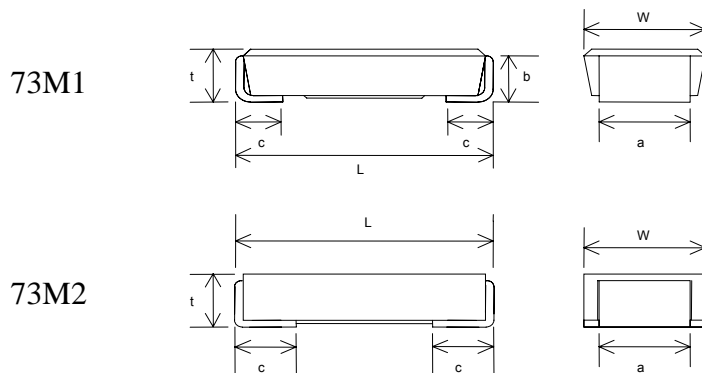
Features

- Very Low Resistance
- Surface Mount Package
- Suitable for Current Limiting, Current Detection, Motor Control, Power Supply and Hard Disk Drives
- High Precision and Excellent Accuracy for Current Detection
- Good Electrical Characteristics
- Suitable for Reflow Solder Process
- Tape and Reel Packaging
- RoHS Compliant



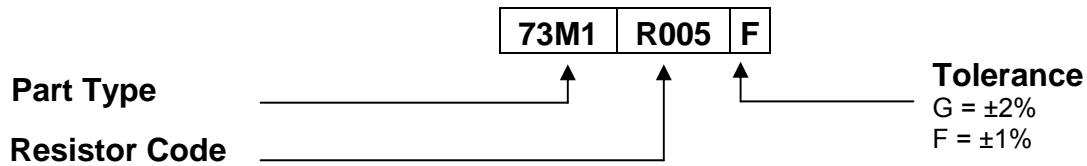
Mechanical and Performance Specifications

| Type | Rated Wattage (Watts) | Resistance (Ω) | Tolerance (%) | T.C.R (ppm/ $^{\circ}$ C) | Rated Ambient Temp. | Operating Temp. Range |
|------|-----------------------|-------------------------|----------------|---|---------------------|--------------------------------------|
| 73M1 | 1.0 | .003 - .009 | $\pm 1, \pm 2$ | $.003\Omega \leq R < .005\Omega : \pm 300$ $.005\Omega \leq R < .010\Omega : \pm 180$ $.010\Omega \leq R \leq .100\Omega : \pm 100$ | 70 $^{\circ}$ C | -55 $^{\circ}$ C to 180 $^{\circ}$ C |
| | | .010 - .100 | ± 1 | | | |
| 73M2 | 2.0 | .005 - .009 | $\pm 1, \pm 2$ | $R < .010\Omega : \pm 200$ $R \geq .010\Omega : \pm 100$ | 70 $^{\circ}$ C | -55 $^{\circ}$ C to 180 $^{\circ}$ C |
| | | .010 - .040 | ± 1 | | | |



| Dimensions (mm) | L | W | T | a | b | c |
|-----------------|---------------|---------------|---------------|---------------|---------------|---------------|
| 73M1 | 6.2 \pm 0.3 | 3.1 \pm 0.2 | 1.0 \pm 0.2 | 2.5 \pm 0.2 | 0.8 \pm 0.2 | 1.2 \pm 0.3 |
| 73M2 | 6.4 \pm 0.3 | 3.5 \pm 0.2 | 1.2 Max. | 3.2 \pm 0.2 | 0.8 \pm 0.2 | 1.0 \pm 0.2 |

How to Order



Example: 73M1R005F (No dashes or spaces)

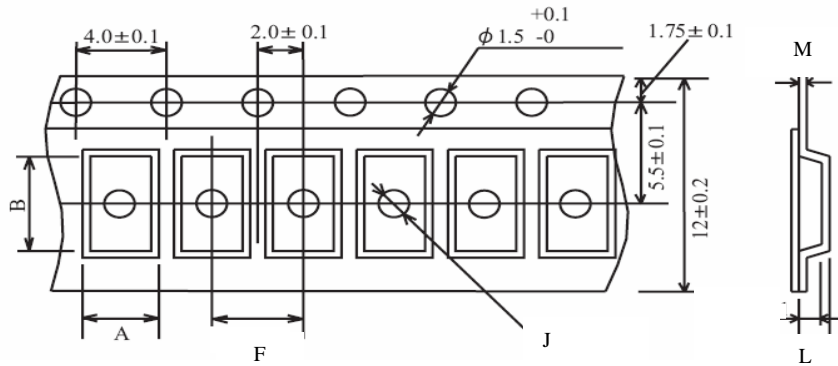
4 Digit Resistor Code
 "R" indicates decimal point

Examples: R005 = 5mΩ
 R100 = 100mΩ

| Type | Part Marking |
|------|---|
| 73M1 | Resistance (4 digits), tolerance, product type, date of manufacture (two digits: year, month) |
| 73M2 | Resistance (3 digits), tolerance, product type & rated wattage, date of manufacture (two digits: year, month) |

Packaging

- Embossed tape (mm)**



| Type | A | B | F | J | L | M |
|------|----------|----------|-----------|----------------|----------|----------|
| 73M1 | 3.5 ±0.1 | 6.6 ±0.1 | 8.0 ±0.10 | 1.5 ±0.2 | 1.3 ±0.1 | 0.3 ±0.1 |
| 73M2 | 4.0 ±0.1 | 6.9 ±0.1 | 8.0 ±0.10 | 1.5 +0.10/-0.0 | 1.4 ±0.1 | 0.3 ±0.1 |

- Reel**

| Type | Qty/Reel | A (mm) |
|------|----------|-----------|
| 73M1 | 1,000 | 15.4 ±1.0 |
| 73M2 | 1,000 | 15.4 ±1.0 |

