

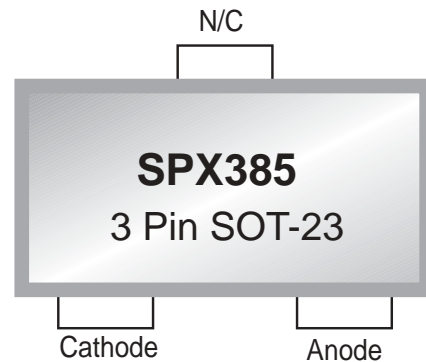
Micropower Voltage Reference

FEATURES

- Trimmed Bandgap 1% and 2%
- Wide Operating Current 20 μ A to 20mA
- Extended Temperature Range ... -40°C to +85°C
- Dynamic Impedance 1 Ω max
- Offered in SOT-23, TO-92, SOIC, and SOT-89
- Improved Replacement for LM185/285/385-2.5V, AS385-2.5
- Low Cost Solution

APPLICATIONS

- Battery Operating Equipment
- Adjustable Supplies
- Switching Power Supplies
- Error Amplifiers
- Single Supply Amplifier
- Monitors / VCR / TV
- Personal Computers



Refer to page 4 for pinouts.

DESCRIPTION

The SPX385-2.5 is a micropower 2-terminal band-gap voltage reference with a very wide operating current range from 20 μ A to 20mA that provides a stable voltage. The high stability of this device is primarily the result of the low temperature coefficient Thin Film Resistor process and Laser Trimming of the output voltage at the wafer level.

The SPX385-2.5 is available in a SOT-23, TO-92, SOIC-8 and SOT-89 package with an operating temperature range of -40°C to 85°C. A 1.2 and 5 volt device is also available - SPX385-1.2 and SPX385-5.

BLOCK DIAGRAM

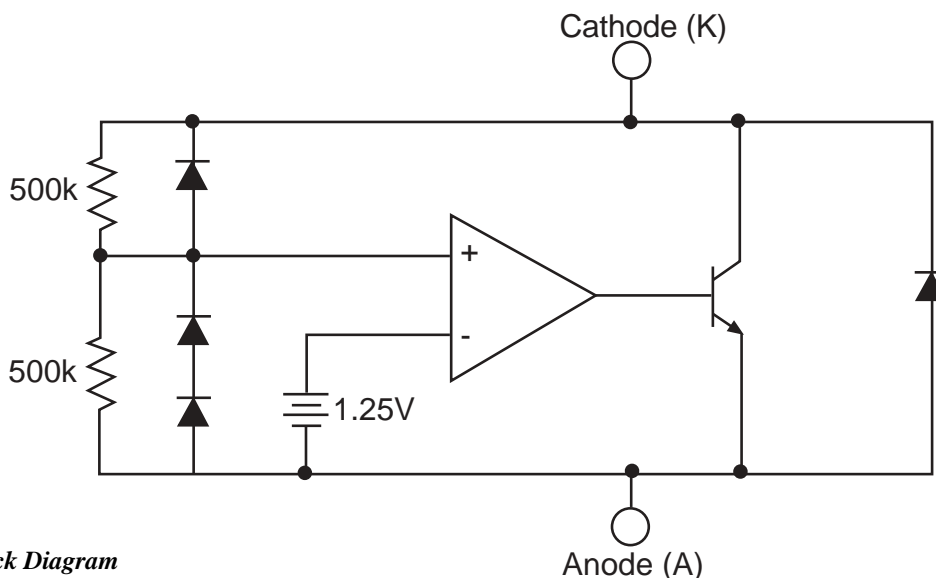


Figure 1: Block Diagram

ABSOLUTE MAXIMUM RATINGS

Stresses greater than those listed under ABSOLUTE MAXIMUM RATINGS may cause permanent damage to the device. This is a stress rating only and functional operation of the device at these or any other conditions above those indicated in the operational sections of this specification is not implied. Exposure to absolute maximum rating conditions for extended periods may affect reliability.

Reverse Current (I_{KA})	30mA
Forward Current (I_{AK})	10mA
Operating Temperature Range (T_A)	-40 to +85°C
Junction Temperature (T_J)	150°C
Storage Temperature (T_{STG})	- 65 to 150°C
Lead Temperature (Soldering 10 sec.), T_L	300°C

TYPICAL THERMAL RESISTANCES

PACKAGE	θ_{JA}	θ_{JC}	TYPICAL DERATING
TO-92	160°C/W	80°C/W	6.3 mW/°C
SOT-23	575°C/W	150°C/W	1.7 mW/°C
SOIC-8	175°C/W	45°C/W	5.7 mW/°C
SOT-89	110°C/W	8°C/W	9.1 mW/°C

Typical deratings of the thermal resistances are given for ambient temperature >25°.

ELECTRICAL CHARACTERISTICS

$I_{IN} = 100\mu A$, $T_A = 25^\circ C$, unless otherwise specified.

PARAMETER	CONDITIONS	SPX385A-2.5			SPX385-2.5			UNIT
		MIN.	TYP.	MAX.	MIN.	TYP.	MAX.	
Reference Voltage		2.475	2.500	2.525	2.450	2.500	2.550	V
Dynamic Output Impedance	F = 20Hz $I_R = 100\mu A$		0.6	1.0		0.6	1.0	Ω
Reference Voltage Change with I_R	$20\mu A \leq I_R \leq 20mA$		10	20		10	20	mV
Temperature Coefficient	Note 1		60	100		60	100	ppm/°C
Minimum Operating Current			15	20		15	20	μA
Output Wideband Noise	10Hz $\leq f \leq$ 10kHz		120			120		μV_{rms}
Long Term Stability	T=1000Hr; $T_A = 25^\circ C \pm 0.1^\circ C$		60			60		ppm
Operating Temperature		-40		+85	-40		+85	°C

Note 1. Three-point measurement guarantees the error band over the specified temperature range.

*CALCULATING AVERAGE TEMPERATURE COEFFICIENT (TC)

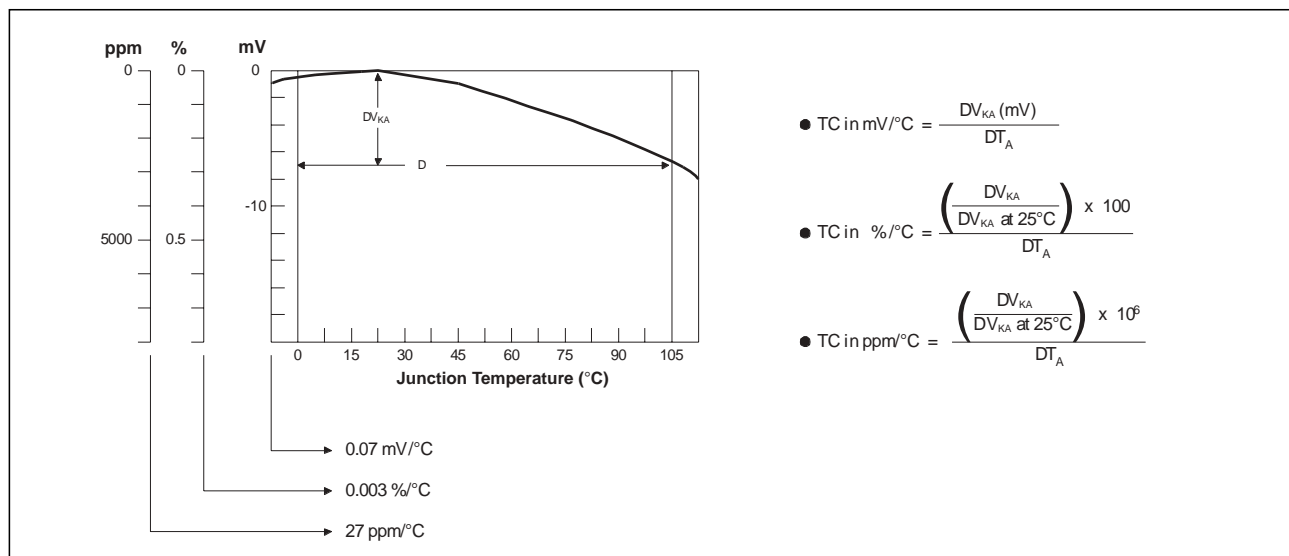


Figure 2. V_{KA} vs. Temperature

TYPICAL PERFORMANCE CHARACTERISTICS

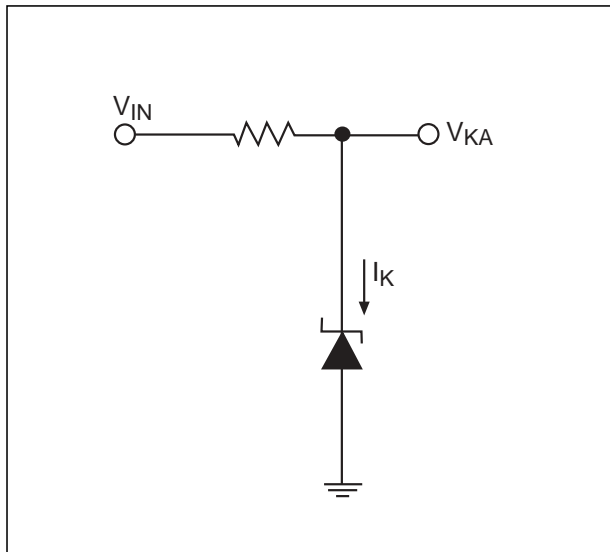


Figure 3. Test Circuit

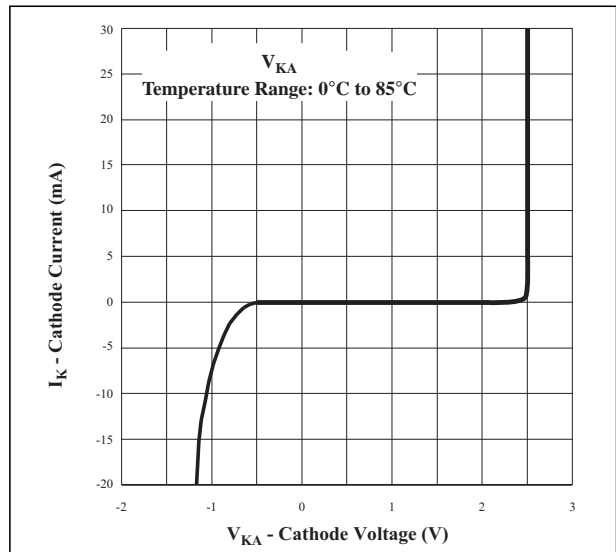


Figure 4. High Current Operating Characteristics

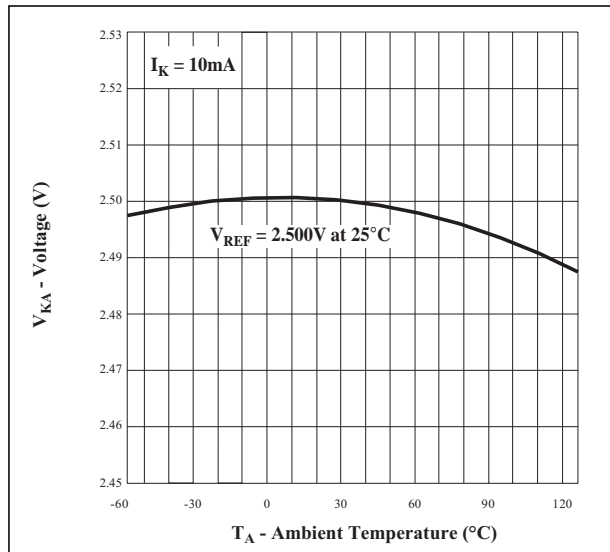


Figure 5. Reference Voltage vs. Ambient Temperature

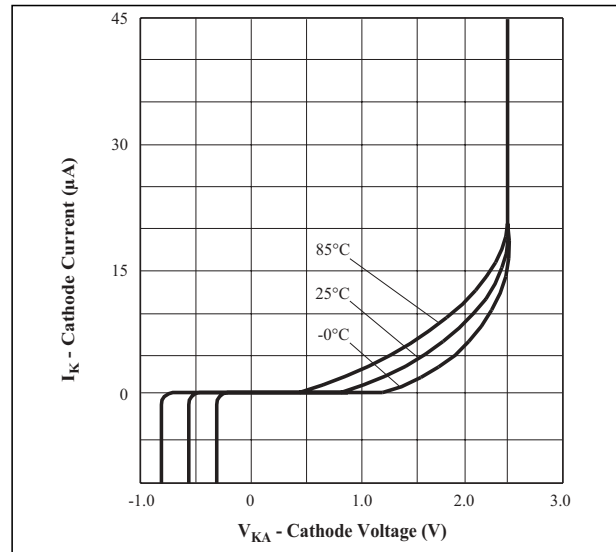


Figure 6. Low Current Operating Characteristics

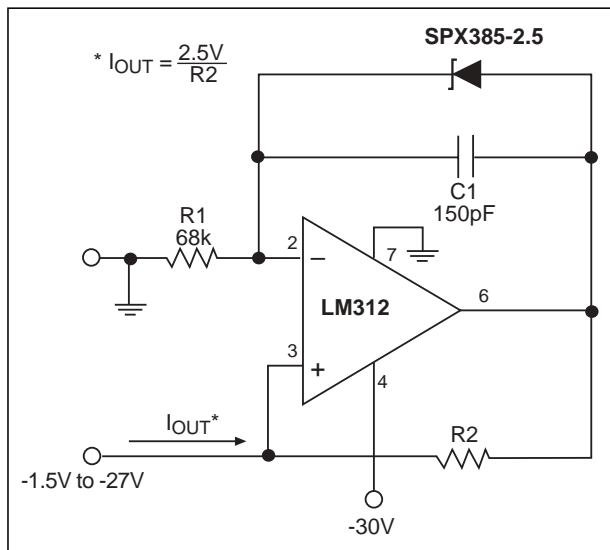


Figure 7a. Precision $1\mu\text{A}$ to 1mA Current Sink

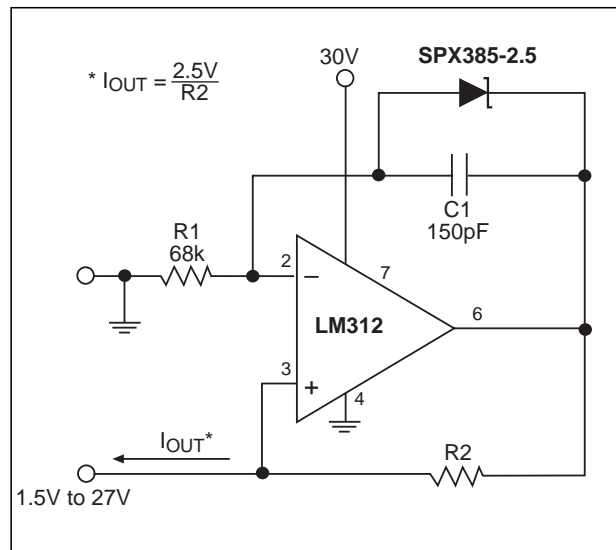


Figure 7b. Precision $1\mu\text{A}$ to 1mA Current Source

TYPICAL PERFORMANCE CHARACTERISTICS

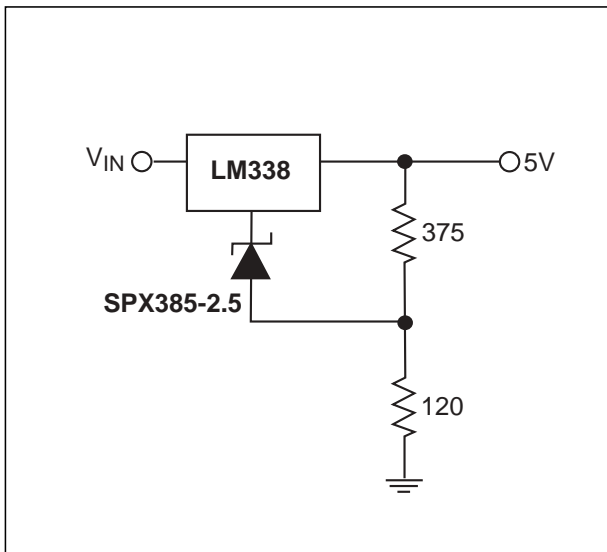


Figure 8. Improving Regulation of Adjustable Regulators

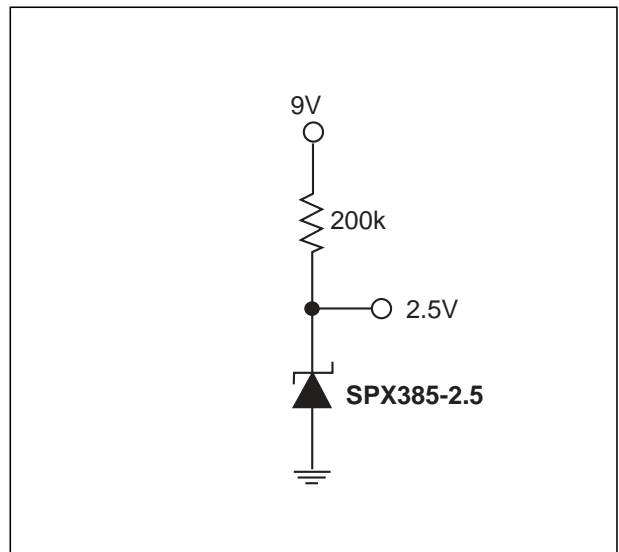


Figure 9. Micropower Reference from 9V Battery

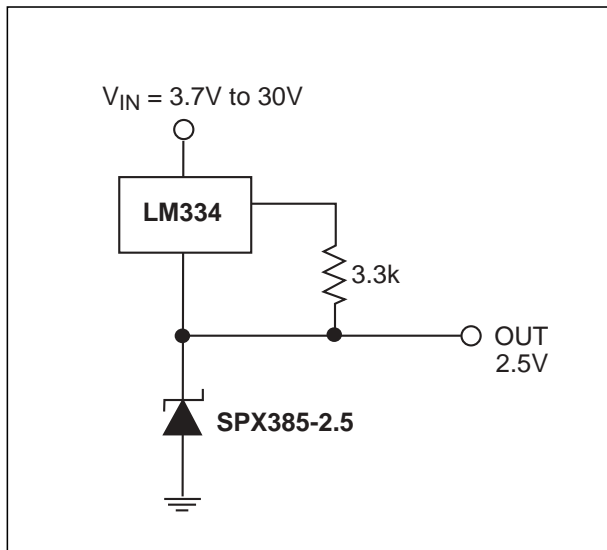


Figure 10. Wide Input Range Reference

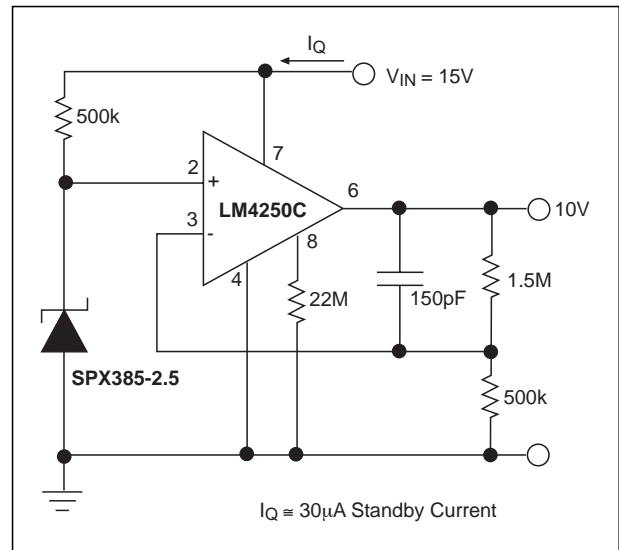
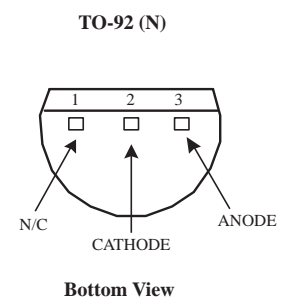
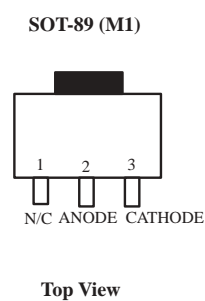
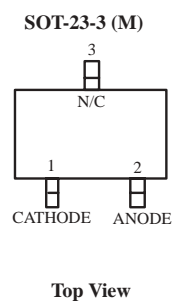
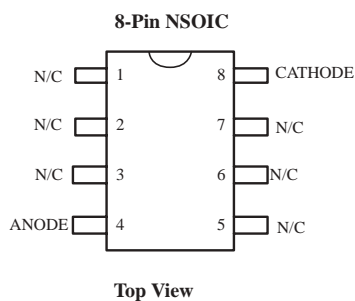
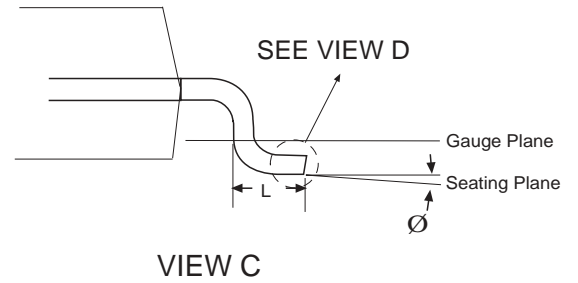
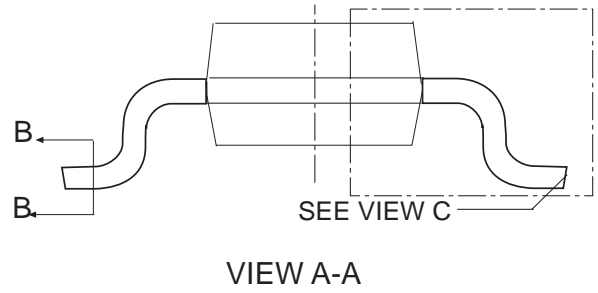
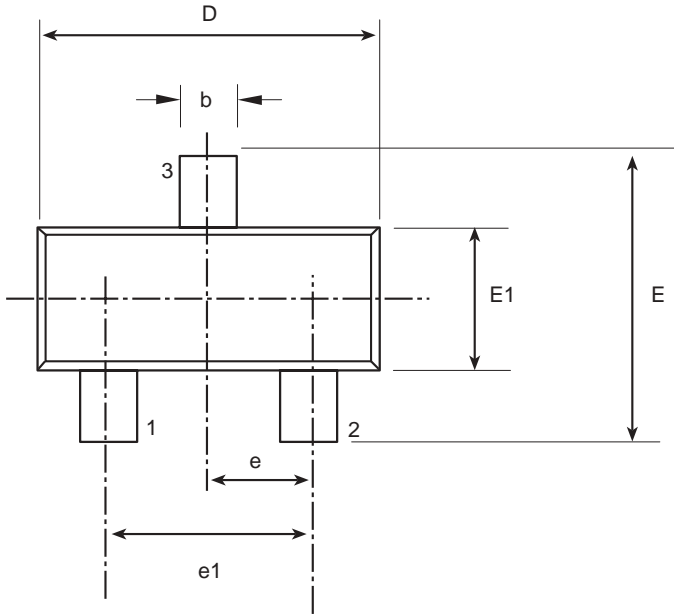


Figure 11. Precision Micropower 10V Reference

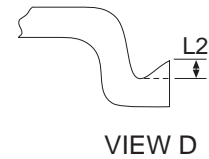
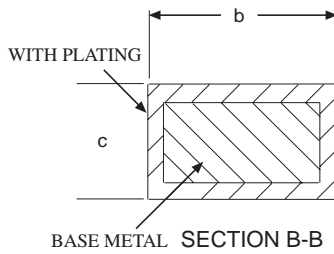
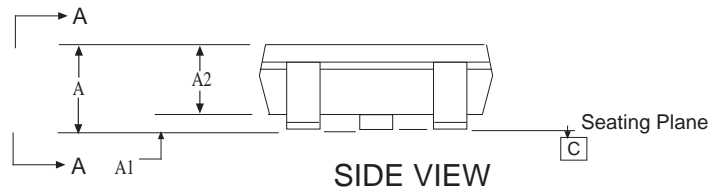
PACKAGE PINOUTS



PACKAGE: 3 PIN SOT-23

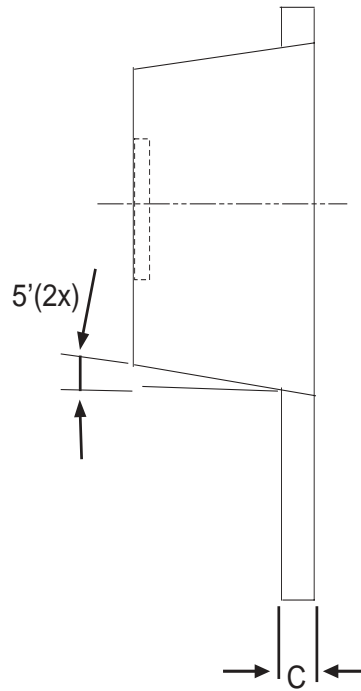
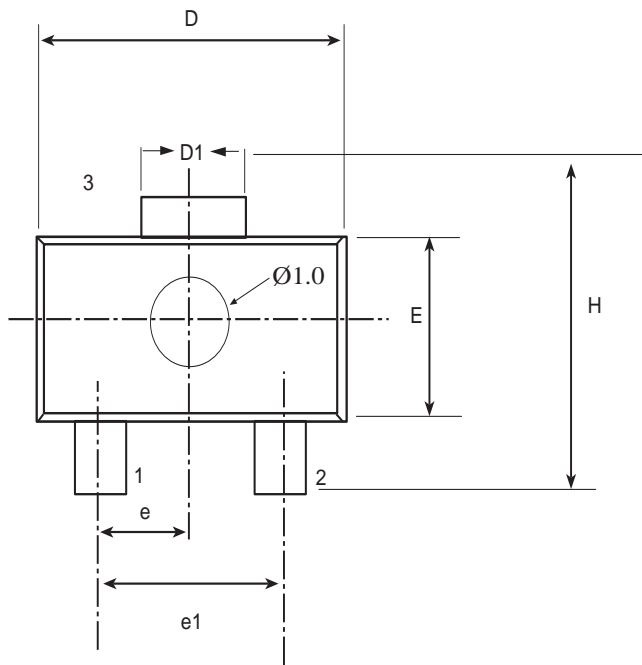


3 PIN SOT-23	Dimensions in (mm)		
	MIN	NOM	MAX
A	-	-	1.25
A1	0	-	0.10
A2	1.050	1.100	1.150
b	0.36	0.38	0.45
c	0.15	-	0.20
D	2.901	2.926	2.951
e	0.925	0.950	0.975
e1	1.850	1.900	1.950
E	2.700	2.800	2.900
E1	1.601	1.626	1.651
L	0.37	0.45	0.53
L2	-	-	0.05
\varnothing	0°	-	8°

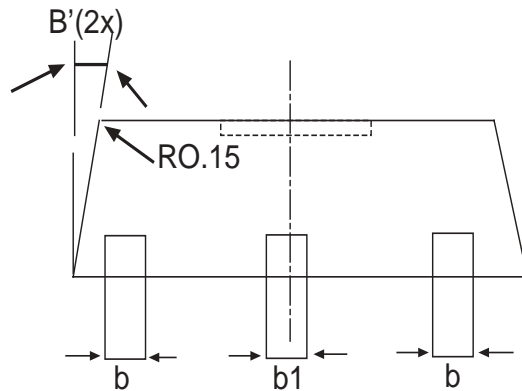


3 PIN SOT-23

PACKAGE: 3 PIN SOT-89

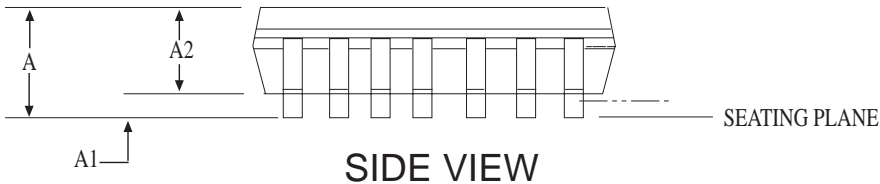
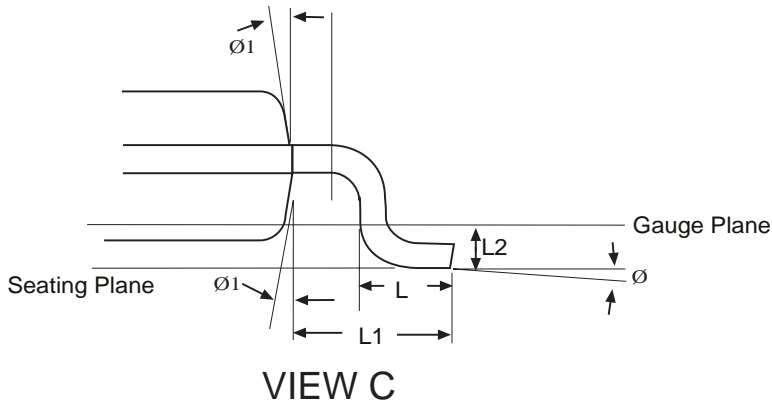
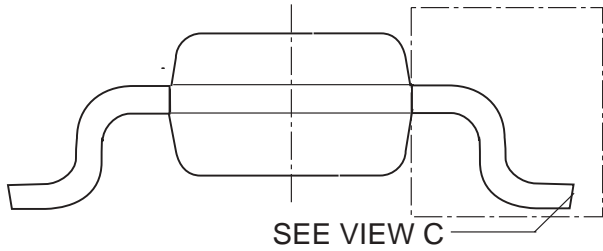
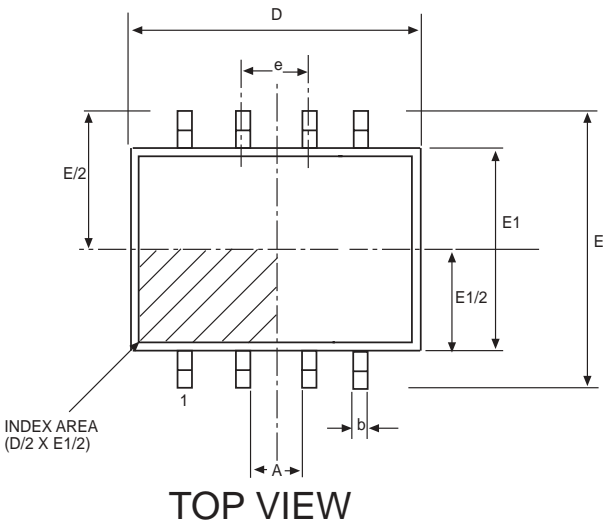


Dimensions in (mm)	3 PIN SOT-89 LINGSEN # PO-SOT-004		
	MIN	NOM	MAX
A	1.40	1.50	1.60
b	0.36	0.42	0.48
b1	0.41	0.47	0.53
C	0.38	0.40	0.43
D	4.40	4.50	4.60
D1	1.40	1.60	1.75
E	2.40	2.50	2.60
e	1.45	1.50	1.55
e1	2.90	3.00	3.10
H	3.94	-	4.25
L	0.80	-	1.20

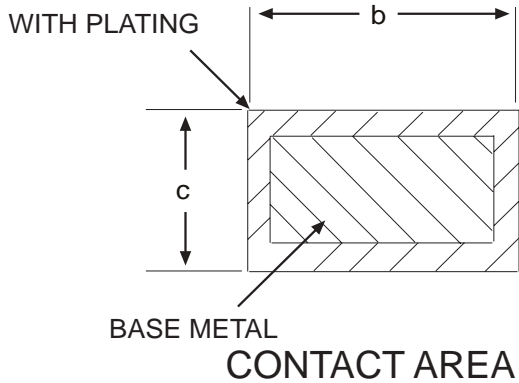


3 PIN SOT-89

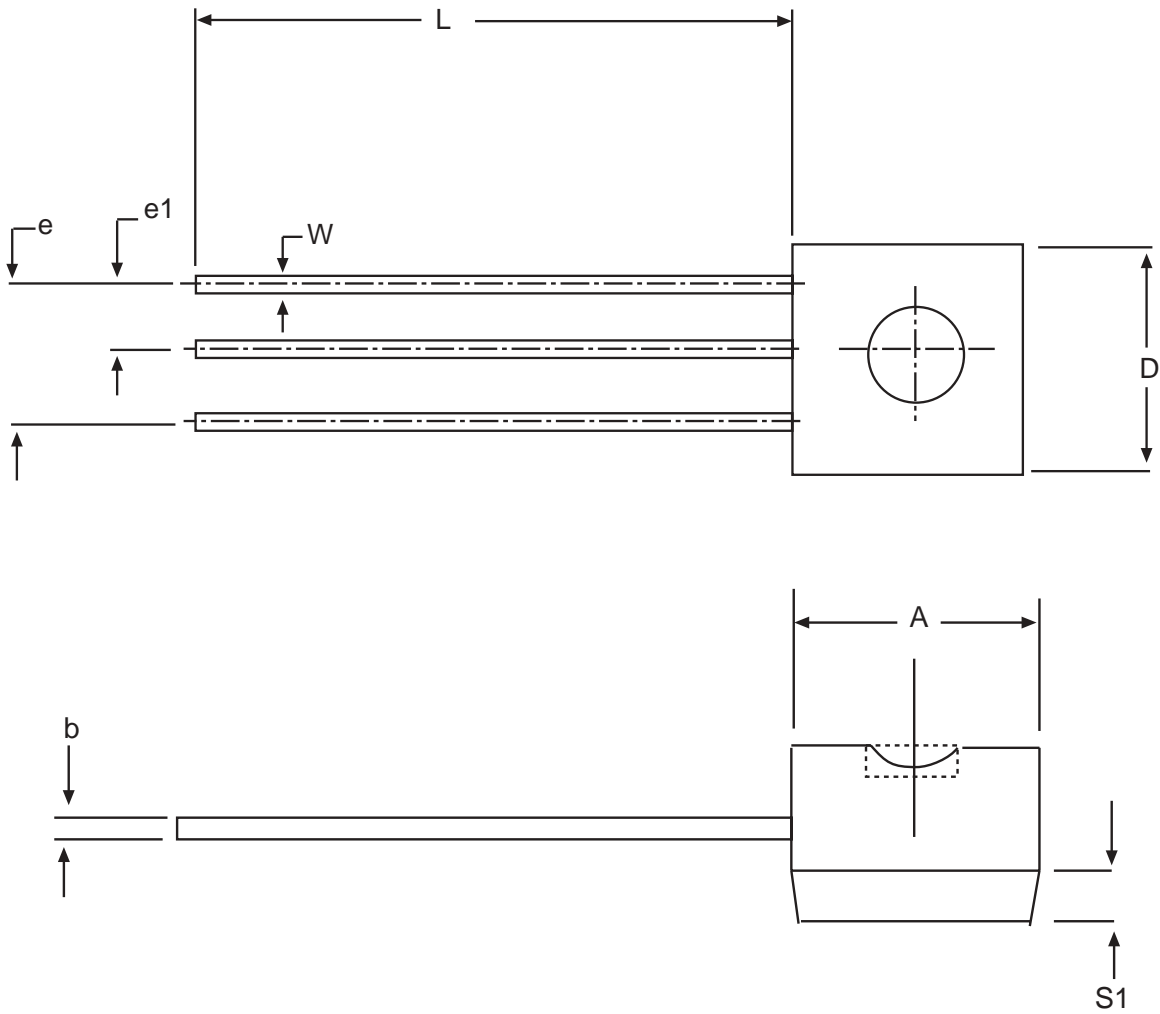
PACKAGE: 8 PIN NSOIC



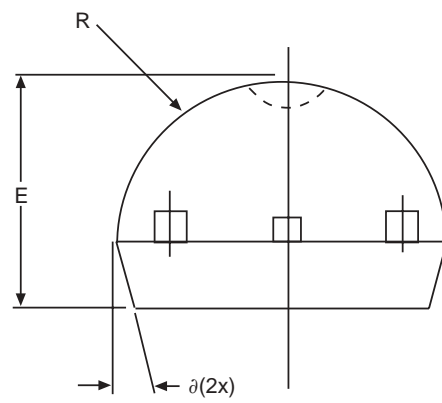
DIMENSIONS Minimum/Maximum (mm)	8 Pin NSOIC (JEDEC MS-012, AA - VARIATION)		
COMMON HEIGHT DIMENSION			
SYMBOL	MIN	NOM	MAX
A	1.35	-	1.75
A1	0.10	-	0.25
A2	1.25	-	1.65
b	0.31	-	0.51
c	0.17	-	0.25
D	4.90 BSC		
E	6.00 BSC		
E1	3.90 BSC		
e	1.27 BSC		
L	0.40	-	1.27
L1	1.04 REF		
L2	0.25 BSC		
Ø	0°	-	8°
Ø1	5°	-	15°



PACKAGE: 8 PIN NSOIC



DIMENSIONS Minimum/Maximum (mm)	3 PIN TO-92 CARSEM DWG # TLG920001		
COMMON HEIGHT DIMENSION			
SYMBOL	MIN	NOM	MAX
A	4.32	-	4.95
b	0.36	-	0.51
E	3.30	-	3.94
e	2.41	-	2.67
e1	1.14	-	1.40
L	12.70	-	15.49
R	2.16	-	2.41
S1	1.14	-	1.52
W	0.41	-	0.56
D	4.45	-	4.95
∂	4°	-	6°



3 PIN TO-92

Part Number	Accuracy	Output Voltage	Package Type
SPX385AM-2.5	1.0%	2.5V	3-Pin SOT-23
SPX385AM-2.5/TR	1.0%	2.5V	3-Pin SOT-23
SPX385AM1-2.5	1.0%	2.5V	3-Pin SOT-89
SPX385AM1-2.5/TR	1.0%	2.5V	3-Pin SOT-89
SPX385AS-2.5	1.0%	2.5V	8-Pin NSOIC
SPX385AS-2.5/TR	1.0%	2.5V	8-Pin NSOIC
SPX385AN-2.5	1.0%	2.5V	3-Pin TO-92
SPX385AN-2.5/TR	1.0%	2.5V	3-Pin TO-92
SPX385M-2.5	2.0%	2.5V	3-Pin SOT-23
SPX385M-2.5/TR	2.0%	2.5V	3-Pin SOT-23
SPX385M1-2.5	2.0%	2.5V	3-Pin SOT-89
SPX385M1-2.5/TR	2.0%	2.5V	3-Pin SOT-89
SPX385S-2.5	2.0%	2.5V	8-Pin NSOIC
SPX385S-2.5/TR	2.0%	2.5V	8-Pin NSOIC
SPX385N-2.5	2.0%	2.5V	3-Pin TO-92
SPX385N-2.5/TR	2.0%	2.5V	3-Pin TO-92

/TR = Tape and Reel

Pack quantity is 2000 for TO-92 and
2500 for SOT-23, SOT-89 and NSOIC.



ANALOG EXCELLENCE

Sipex Corporation

**Headquarters and
Sales Office:**
233 Hillview Dr
Milpitas, CA 95035
TEL: (408) 934-7500
FAX: (408) 935-7600

Sipex Corporation reserves the right to make changes to any products described herein. Sipex does not assume any liability arising out of the application or use of any product or circuit described herein; neither does it convey any license under its patent rights nor the rights of others.