

# LM3706/LM3707 Microprocessor Supervisory Circuits with Low Line Output and Watchdog Timer

## General Description

The LM3706/LM3707 series of microprocessor supervisory circuits provide the maximum flexibility for monitoring power supplies and battery controlled functions in systems without backup batteries. The LM3706/LM3707 series are available in a 9-bump micro SMD package.

Built-in features include the following:

**Reset:** Reset is asserted during power-up, power-down, and brownout conditions.  $\overline{\text{RESET}}$  is guaranteed down to  $V_{CC}$  of 1.0V.

**Low Line Output:** This early power failure warning indicator goes low when the supply voltage drops to a value which is 2% higher than the reset threshold voltage.

**Watchdog Timer:** The WDI (Watchdog Input) monitors one of the  $\mu\text{P}$ 's output lines for activity. If no output transition occurs during the watchdog timeout period, reset is activated.

## Features

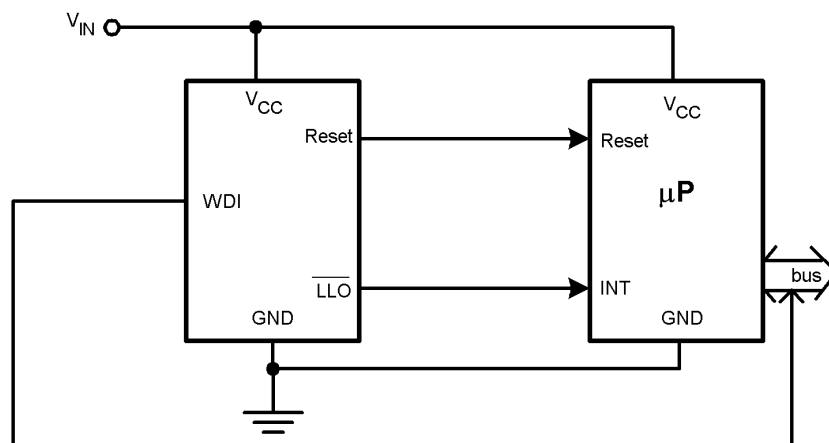
- Standard Reset Threshold voltage: 3.08V
- Custom Reset Threshold voltages: For other voltages between 2.2V and 5.0V in 10mV increments, contact National Semiconductor Corp.

- No external components required
- $\overline{\text{RESET}}$  (LM3706) or RESET (LM3707) outputs
- Precision supply voltage monitor
- Factory programmable Reset and Watchdog Timeout Delays
- Available in micro SMD package for minimum footprint
- $\pm 0.5\%$  Reset threshold accuracy at room temperature
- $\pm 2\%$  Reset threshold accuracy over temperature extremes
- Reset assertion down to 1V  $V_{CC}$  ( $\overline{\text{RESET}}$  option only)
- 28  $\mu\text{A}$   $V_{CC}$  supply current

## Applications

- Embedded Controllers and Processors
- Intelligent Instruments
- Automotive Systems
- Critical  $\mu\text{P}$  Power Monitoring

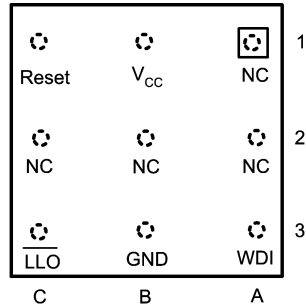
## Typical Application



20011603

## Connection Diagram

Top View  
(looking from the coating side)  
micro SMD 9 Bump Package  
BPA09

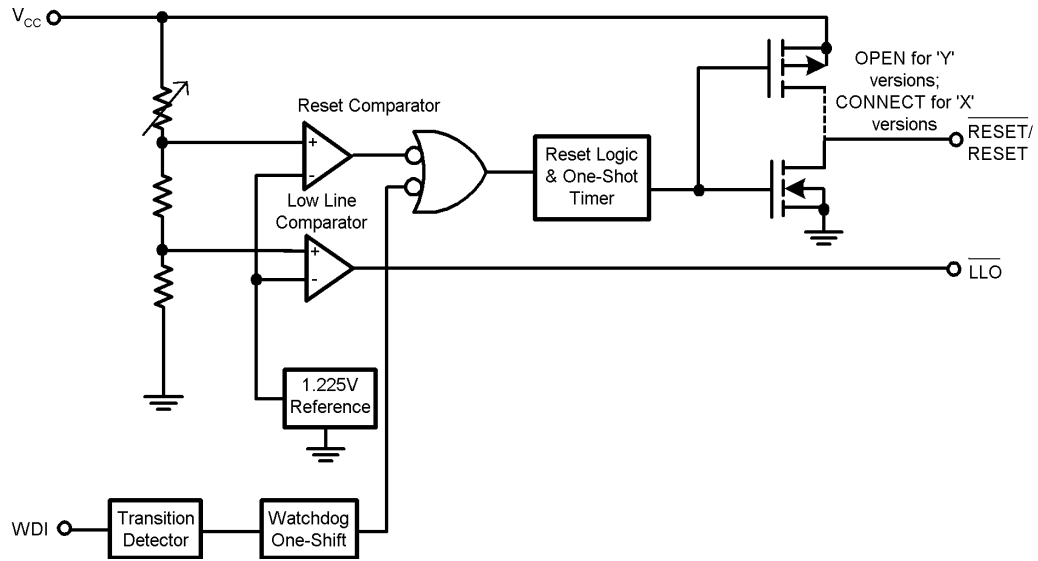


20011601

## Pin Descriptions

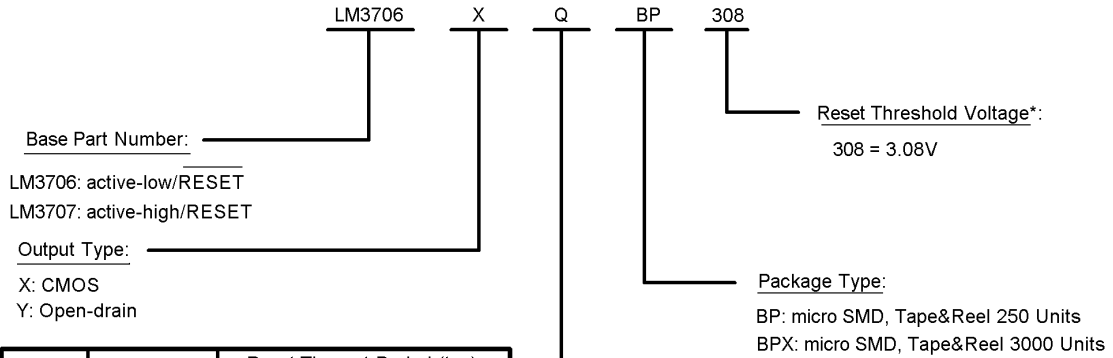
Bump No.	Name	Function
B1	$V_{CC}$	Power Supply input.
C1	$\overline{\text{RESET}}$	Reset Logic Output. Pulses low for $t_{RP}$ (Reset Timeout Period) when triggered, and stays low whenever $V_{CC}$ is below the reset threshold or when $\overline{\text{MR}}$ is below $V_{MRT}$ . It remains low for $t_{RP}$ after either $V_{CC}$ rises above the reset threshold, or after $\overline{\text{MR}}$ input rises above $V_{MRT}$ (LM3706 only).
	RESET	Reset Logic Output. RESET is the inverse of $\overline{\text{RESET}}$ (LM3707 only).
C3	$\overline{\text{LLO}}$	Low-Line Logic Output. Early Power-Fail warning output. Low when $V_{CC}$ falls below $V_{LLOT}$ (Low-Line Output Threshold). This output can be used to generate an NMI (Non-Maskable Interrupt) to provide an early warning of imminent power-failure.
B3	GND	Ground reference for all signals.
A3	WDI	Watchdog Input Transition Monitor: If no transition activity occurs for a period exceeding $t_{WD}$ (Watchdog Timeout Period), reset is engaged.
A1, A2, C2	NC	No Connect.
B2	NC	No Connect. Test input used at factory only. Leave floating.

### Block Diagram



20011605

## Ordering Information



WD Timeout Period (typ)	Reset Timeout Period (typ)			
	D1 1.4ms	D2 28ms	D3 200ms	D4 1600ms
W1 6.2ms	E*	F*	G*	H*
W2 102ms	J*	K*	L*	M*
W3 1600ms	N*	P*	Q	R*
W4 25600ms	S*	T*	U*	V*

\* = available upon request. Contact National Semiconductor

\*For other voltages between 2.2V and 5.0V, please contact National Semiconductor sales office.

20011604

## LM3706/LM3707

Part Number	Output	Reset Timeout Period	Watchdog Timeout Period	Package Marking
LM3706XQBP-308	totem-pole	200ms	1600ms	%%I6
LM3706XQBPX-308	totem-pole	200ms	1600ms	%%I6
LM3707XQBP-308	totem-pole	200ms	1600ms	%%I7
LM3707XQBPX-308	totem-pole	200ms	1600ms	%%I7

%% is the datecode and will vary with time.

## Table Of Functions

Part Number	Active Low Reset	Active High Reset	Output (X = totem-pole) (Y = open-drain)	Reset Timeout Period	Watchdog Timeout Period	Low Line Output
LM3706	x		X, Y*	Customized	Customized	x
LM3707		x	X	Customized	Customized	x

\* = available upon request. Contact National

**Absolute Maximum Ratings** (Note 1)

If Military/Aerospace specified devices are required, please contact the National Semiconductor Sales Office/Distributors for availability and specifications.

Supply Voltage ( $V_{CC}$ )	-0.3V to 6.0V
All Other Inputs	-0.3V to $V_{CC} + 0.3V$
ESD Ratings (Note 2)	
Human Body Model	1.5kV
Machine Model	150V

Power Dissipation

(Note 3)

**Operating Ratings** (Note 1)Temperature Range  $-40^{\circ}\text{C} \leq T_J \leq 85^{\circ}\text{C}$ **LM3706/LM3707 Series Electrical Characteristics**

Limits in the standard typeface are for  $T_J = 25^{\circ}\text{C}$  and limits in **boldface type** apply over full operating range. Unless otherwise specified:  $V_{CC} = +2.2V$  to  $5.5V$ .

Symbol	Parameter	Conditions	Min	Typ	Max	Units
<b>POWER SUPPLY</b>						
$V_{CC}$	Operating Voltage Range: $V_{CC}$	LM3706	<b>1.0</b>		<b>5.5</b>	V
		LM3707	<b>1.2</b>		<b>5.5</b>	
$I_{CC}$	$V_{CC}$ Supply Current	All inputs = $V_{CC}$ ; all outputs floating		28	<b>50</b>	$\mu\text{A}$
<b>RESET THRESHOLD</b>						
$V_{RST}$	Reset Threshold	$V_{CC}$ falling	-0.5 <b>-2</b>	$V_{RST}$	+0.5 <b>+2</b>	%
		$V_{CC}$ falling: $T_A = 0^{\circ}\text{C}$ to $70^{\circ}\text{C}$	<b>-1.5</b>		<b>+1.5</b>	
$V_{RSTH}$	Reset Threshold Hysteresis			$0.0032 \cdot V_{RST}$		mV
$t_{RP}$	Reset Timeout Period	Reset Timeout Period = E, J, N, S	<b>1</b>	1.4	<b>2</b>	ms
		Reset Timeout Period = F, K, P, T	<b>20</b>	28	<b>40</b>	
		Reset Timeout Period = G, L, Q, U	<b>140</b>	200	<b>280</b>	
		Reset Timeout Period = H, M, R, V	<b>1120</b>	1600	<b>2240</b>	
$t_{RD}$	$V_{CC}$ to Reset Delay	$V_{CC}$ falling at $1\text{mV}/\mu\text{s}$		20		$\mu\text{s}$
<b>RESET (LM3707)</b>						
$V_{OL}$	RESET	$V_{CC} > 2.25V$ , $I_{SINK} = 900\mu\text{A}$			<b>0.3</b>	V
		$V_{CC} > 2.7V$ , $I_{SINK} = 1.2\text{mA}$			<b>0.3</b>	
		$V_{CC} > 4.5V$ , $I_{SINK} = 3.2\text{mA}$			<b>0.4</b>	
$V_{OH}$	RESET	$V_{CC} > 1.2V$ , $I_{SOURCE} = 50\mu\text{A}$	<b><math>0.8 V_{CC}</math></b>			V
		$V_{CC} > 1.8V$ , $I_{SOURCE} = 150\mu\text{A}$	<b><math>0.8 V_{CC}</math></b>			
		$V_{CC} > 2.25V$ , $I_{SOURCE} = 300\mu\text{A}$	<b><math>0.8 V_{CC}</math></b>			
		$V_{CC} > 2.7V$ , $I_{SOURCE} = 500\mu\text{A}$	<b><math>0.8 V_{CC}</math></b>			
		$V_{CC} > 4.5V$ , $I_{SOURCE} = 800\mu\text{A}$	<b><math>V_{CC} - 1.5V</math></b>			
$I_{LKG}$	Output Leakage Current	$V_{RESET} = 5.5V$			<b>1.0</b>	$\mu\text{A}$
<b>RESET (LM3706)</b>						
$V_{OL}$	RESET	$V_{CC} > 1.0V$ , $I_{SINK} = 50\mu\text{A}$			<b>0.3</b>	V
		$V_{CC} > 1.2V$ , $I_{SINK} = 100\mu\text{A}$			<b>0.3</b>	
		$V_{CC} > 2.25V$ , $I_{SINK} = 900\mu\text{A}$			<b>0.3</b>	
		$V_{CC} > 2.7V$ , $I_{SINK} = 1.2\text{mA}$			<b>0.3</b>	
		$V_{CC} > 4.5V$ , $I_{SINK} = 3.2\text{mA}$			<b>0.4</b>	
$V_{OH}$	RESET	$V_{CC} > 2.25V$ , $I_{SOURCE} = 300\mu\text{A}$	<b><math>0.8 V_{CC}</math></b>			V
		$V_{CC} > 2.7V$ , $I_{SOURCE} = 500\mu\text{A}$	<b><math>0.8 V_{CC}</math></b>			
		$V_{CC} > 4.5V$ , $I_{SOURCE} = 800\mu\text{A}$	<b><math>V_{CC} - 1.5V</math></b>			
<b>WDI</b>						

**LM3706/LM3707 Series Electrical Characteristics** (Continued)

Limits in the standard typeface are for  $T_J = 25^\circ\text{C}$  and limits in **boldface type** apply over full operating range. Unless otherwise specified:  $V_{CC} = +2.2\text{V}$  to  $5.5\text{V}$ .

Symbol	Parameter	Conditions	Min	Typ	Max	Units
WDI	Watchdog Input Current		-1		+1	$\mu\text{A}$
$\text{WDI}_T$	Watchdog Input Threshold		$0.2 \cdot V_{CC}$	1.225	$0.8 \cdot V_{CC}$	V
$t_{WD}$	Watchdog Timeout Period	Watchdog Timeout Period = E, F, G, H Watchdog Timeout Period = J, K, L, M Watchdog Timeout Period = N, P, Q, R Watchdog Timeout Period = S, T, U, V	<b>4.3</b> <b>71</b> <b>1120</b> <b>17900</b>	6.2 102 1600 25600	<b>9.3</b> <b>153</b> <b>2400</b> <b>38400</b>	ms
<b>LLO</b>						
$V_{OL}$	LLO Output Voltage	$V_{CC} > 2.25\text{V}$ , $I_{SINK} = 900\mu\text{A}$			<b>0.3</b>	V
		$V_{CC} > 2.7\text{V}$ , $I_{SINK} = 1.2\text{mA}$			<b>0.3</b>	
		$V_{CC} > 4.5\text{V}$ , $I_{SINK} = 3.2\text{mA}$			<b>0.4</b>	
$V_{OH}$		$V_{CC} > 2.25\text{V}$ , $I_{SOURCE} = 300\mu\text{A}$	<b><math>0.8 V_{CC}</math></b>			V
		$V_{CC} > 2.7\text{V}$ , $I_{SOURCE} = 500\mu\text{A}$	<b><math>0.8 V_{CC}</math></b>			
		$V_{CC} > 4.5\text{V}$ , $I_{SOURCE} = 800\mu\text{A}$	<b><math>V_{CC} - 1.5\text{V}</math></b>			
<b>LLO OUTPUT</b>						
$V_{LLOT}$	LLO Output Threshold ( $V_{LLO} - V_{RST}$ , $V_{CC}$ falling)		<b><math>1.01 \cdot V_{RST}</math></b>	$1.02 \cdot V_{RST}$	<b><math>1.03 \cdot V_{RST}</math></b>	V
$V_{LLOTH}$	Low-Line Comparator Hysteresis			$0.0032 \cdot V_{RST}$		mV
$t_{CD}$	Low-Line Comparator Delay	$V_{CC}$ falling at $1\text{mV}/\mu\text{s}$		20		$\mu\text{s}$

**Note 1: Absolute Maximum Ratings** indicate limits beyond which damage to the device may occur. **Operating Ratings** indicate conditions for which the device is intended to be functional, but do not guarantee specific performance limits. For guaranteed specifications and test conditions, see the Electrical Characteristics. The guaranteed specifications apply only for the test conditions listed. Some performance characteristics may degrade when the device is not operated under the listed conditions.

**Note 2:** The Human Body model is a  $100\text{ pF}$  capacitor discharged through a  $1.5\text{ k}\Omega$  resistor into each pin. The machine model is a  $200\text{ pF}$  capacitor discharged directly into each pin.

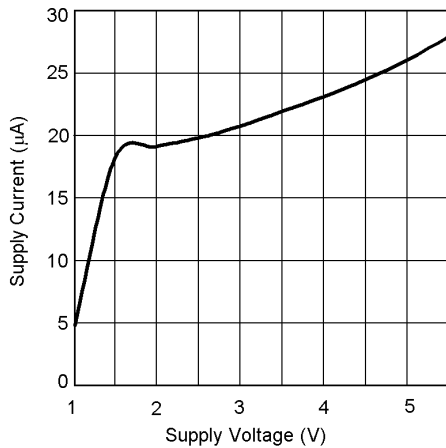
**Note 3:** The maximum allowable power dissipation is a function of the maximum junction temperature,  $T_J(\text{MAX})$ , the junction-to-ambient thermal resistance,  $\theta_{J-A}$ , and the ambient temperature,  $T_A$ . The maximum allowable power dissipation at any ambient temperature is calculated using:

$$P(\text{MAX}) = \frac{T_J(\text{MAX}) - T_A}{\theta_{J-A}}$$

Where the value of  $\theta_{J-A}$  for the micro SMD package is  $220^\circ\text{C}/\text{W}$ .

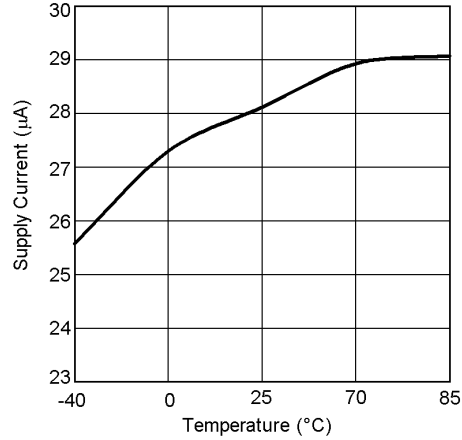
# Typical Performance Characteristics

Supply Current vs Supply Voltage



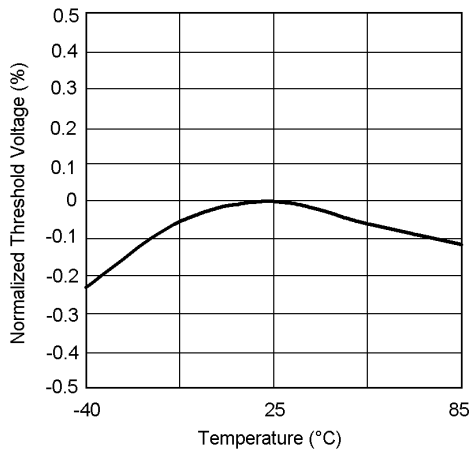
20011615

3.3V Supply Current vs Temperature



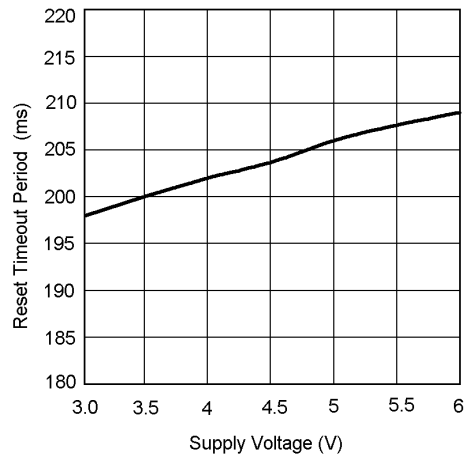
20011611

Normalized Reset Threshold Voltage vs Temperature



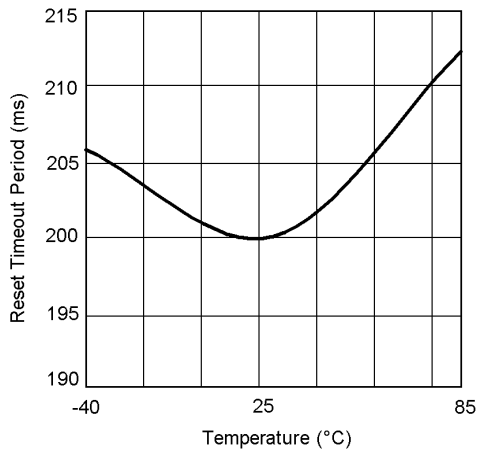
20011612

Reset Timeout Period vs V<sub>CC</sub>



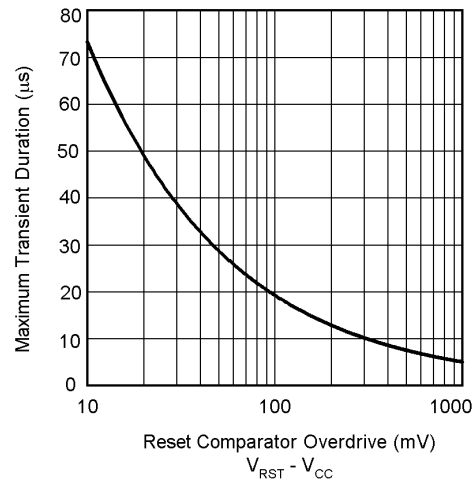
20011632

Reset Timeout Period vs Temperature



20011610

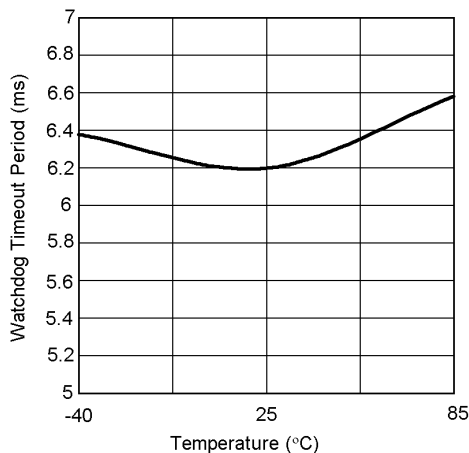
Max. Transient Duration vs Reset Comparator Overdrive (V<sub>CC</sub> = 3.3V)



20011616

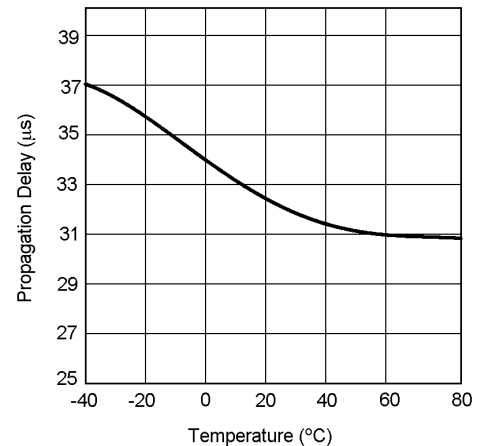
## Typical Performance Characteristics (Continued)

Watchdog Timeout Period vs Temperature  
( $t_{WD}$  programmed as 6.2ms)



20011613

Low-Line Comparator Propagation Delay vs Temperature



20011614

## Circuit Information

### Reset Output

The Reset input of a  $\mu P$  initializes the device into a known state. The LM3706/LM3707 microprocessor supervisory circuits assert a forced reset output to prevent code execution errors during power-up, power-down, and brownout conditions.

$\overline{RESET}$  is guaranteed valid for  $V_{CC} > 1V$ . Once  $V_{CC}$  exceeds the reset threshold, an internal timer maintains the output for the reset timeout period. After this interval, reset goes high. The LM3706 offers an active-low  $\overline{RESET}$ ; The LM3707 offers an active-high RESET.

Any time  $V_{CC}$  drops below the reset threshold (such as during a brownout), the reset activates. When  $V_{CC}$  again rises above the reset threshold, the internal timer starts. Reset holds until  $V_{CC}$  exceeds the reset threshold for longer than the reset timeout period. After this time, reset releases.

### Reset Threshold

The LM3706/LM3707 family is available with a reset voltage of 3.08V. Other reset thresholds in the 2.20V to 5.0V range, in steps of 10 mV, are available; contact National Semiconductor for details.

### Low-Line Output ( $\overline{LLO}$ )

The low-line output comparator is typically used to provide a non-maskable interrupt to a  $\mu P$  when  $V_{CC}$  begins falling.  $\overline{LLO}$  monitors  $V_{CC}$  and goes low when  $V_{CC}$  falls below  $V_{LLO\ T}$  (typically  $1.02 \cdot V_{RST}$ ) with hysteresis of  $0.0032 \cdot V_{RST}$ .

### Watchdog Timer Input (WDI)

The watchdog timer input monitors one of the microprocessor's output lines for activity. Each time a transition occurs on this monitored line, the watchdog counter is reset. However,

if no transition occurs and the timeout period is reached, the LM3706/LM3707 assumes that the microprocessor has locked up and the reset output is activated.

WDI is a high impedance input.

### Special Precautions for the micro SMD Package

As with most integrated circuits, the LM3706 and LM3707 are sensitive to exposure from visible and infrared (IR) light radiation. Unlike a plastic encapsulated IC, the micro SMD package has very limited shielding from light, and some sensitivity to light reflected from the surface of the PC board or long wavelength IR entering the die from the side may be experienced. This light could have an unpredictable affect on the electrical performance of the IC. Care should be taken to shield the device from direct exposure to bright visible or IR light during operation.

### Micro SMD Mounting

The micro SMD package requires specific mounting techniques which are detailed in National Semiconductor Application Note AN-1112. Referring to the section **Surface Mount Technology (SMT) Assembly Considerations**, it should be noted that the pad style which must be used with the 9-pin package is the NSMD (non-solder mask defined) type.

For best results during assembly, alignment ordinals on the PC board may be used to facilitate placement of the micro SMD device.



## Timing Diagrams

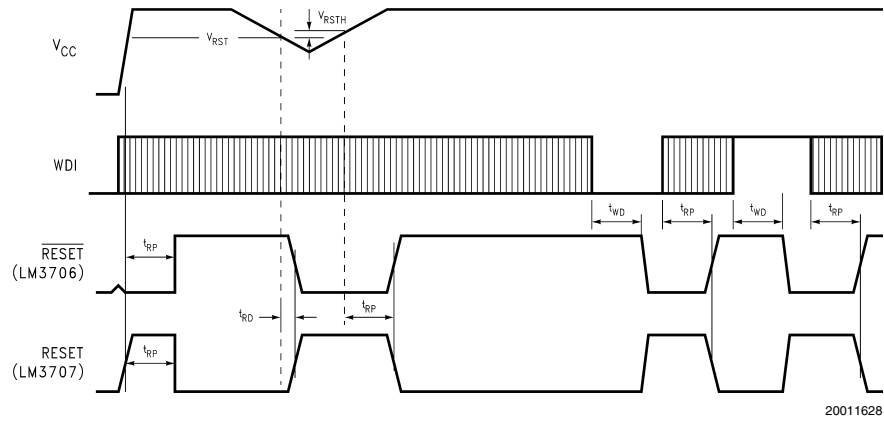


FIGURE 1. LM3706 Reset Time with WDI

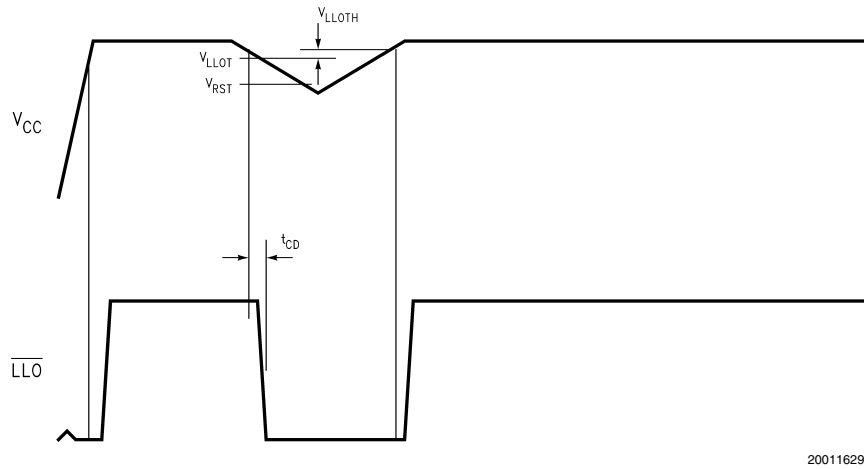
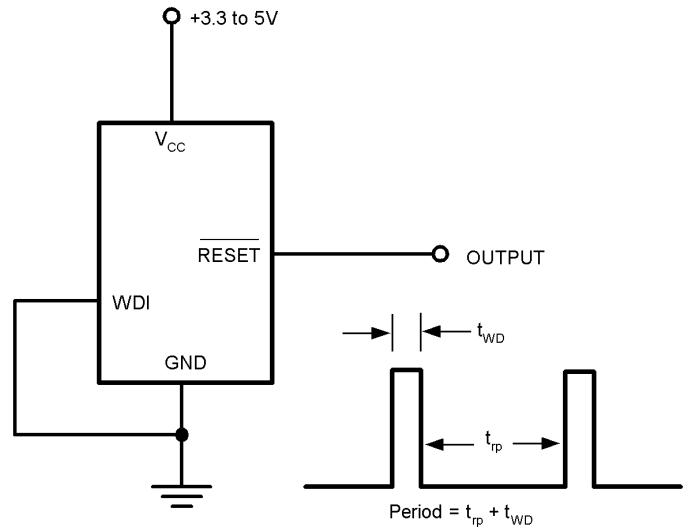


FIGURE 2.  $\overline{LLO}$  Output

## Typical Application Circuits

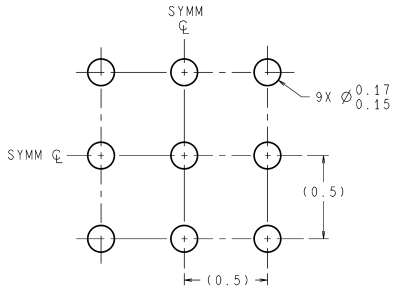


20011640

FIGURE 3. LM3706 Long Delay Timer/Oscillator

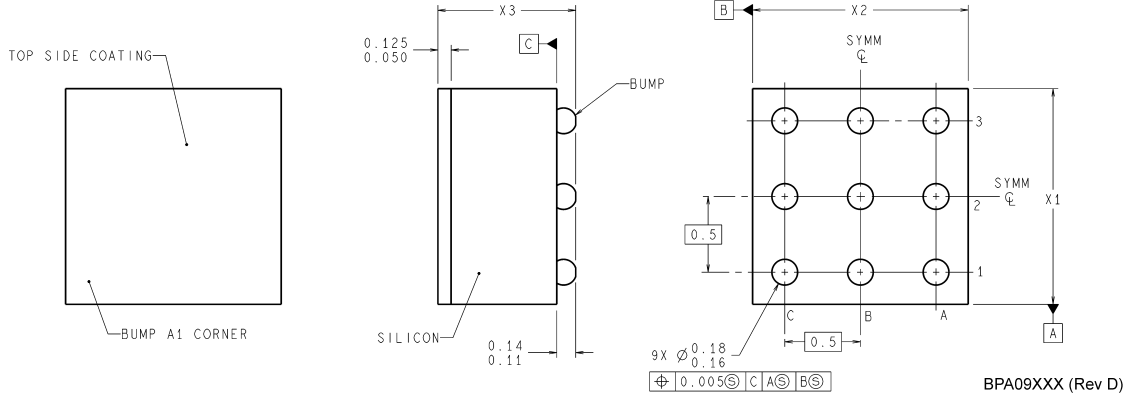
## Physical Dimensions inches (millimeters)

unless otherwise noted



DIMENSIONS ARE IN MILLIMETERS

### LAND PATTERN RECOMMENDATION



BPA09XXX (Rev D)

NOTES: UNLESS OTHERWISE SPECIFIED

1. EPOXY COATING
2. 63Sn/37Pb EUTECTIC BUMP
3. RECOMMEND NON-SOLDER MASK DEFINED LANDING PAD.
4. PIN 1 IS ESTABLISHED BY LOWER LEFT CORNER WITH RESPECT TO TEXT ORIENTATION. REMAINING PINS ARE NUMBERED COUNTER CLOCKWISE.
5. XXX IN DRAWING NUMBER REPRESENTS PACKAGE SIZE VARIATION WHERE X1 IS PACKAGE WIDTH, X2 IS PACKAGE LENGTH AND X3 IS PACKAGE HEIGHT.
6. NO JEDEC REGISTRATION AS OF AUG.1999.

**9 bump micro SMD Package**  
**NS Package Number BPA09FFB**  
**The dimensions of X1, X2 and X3 are given below**  
**X1 = 1.412mm**  
**X2 = 1.412mm**  
**X3 = 0.850mm**

### LIFE SUPPORT POLICY

NATIONAL'S PRODUCTS ARE NOT AUTHORIZED FOR USE AS CRITICAL COMPONENTS IN LIFE SUPPORT DEVICES OR SYSTEMS WITHOUT THE EXPRESS WRITTEN APPROVAL OF THE PRESIDENT AND GENERAL COUNSEL OF NATIONAL SEMICONDUCTOR CORPORATION. As used herein:

1. Life support devices or systems are devices or systems which, (a) are intended for surgical implant into the body, or (b) support or sustain life, and whose failure to perform when properly used in accordance with instructions for use provided in the labeling, can be reasonably expected to result in a significant injury to the user.
2. A critical component is any component of a life support device or system whose failure to perform can be reasonably expected to cause the failure of the life support device or system, or to affect its safety or effectiveness.



**National Semiconductor Corporation**  
Americas  
Email: support@nsc.com

www.national.com

**National Semiconductor Europe**

Fax: +49 (0) 180-530 85 86  
Email: europe.support@nsc.com  
Deutsch Tel: +49 (0) 69 9508 6208  
English Tel: +44 (0) 870 24 0 2171  
Français Tel: +33 (0) 1 41 91 8790

**National Semiconductor Asia Pacific Customer Response Group**

Tel: 65-2544466  
Fax: 65-2504466  
Email: ap.support@nsc.com

**National Semiconductor Japan Ltd.**

Tel: 81-3-5639-7560  
Fax: 81-3-5639-7507