

BD25B

Quadruple Band 2-Way SMT Power Divider

1700~2500MHz USPCS & PCS, WCDMA & TD-SCDMA, WiBro



Device Features

- Typical Isolation = 23 dB
- Typical Insertion Loss = 0.5 dB
- MSL 1 moisture rating
- Lead-free/RoHS-compliant SOIC-8 Plastic Package
With exposed back side ground pad



Product Description

BeRex's Divider BD25B is designed for PCS, WCDMA & TD-SCDMA and WiBro band with low Insertion Loss and Isolation. This chip is fully passivated for enhanced performance and reliability and packaged in RoHS-compliant with SOIC-8 surface mount package. It can be used without back side ground soldering. (This may degrade the performance at the high frequency edge.)

Applications

- Base station Infrastructure
- Commercial/Industrial/Military wireless system

Typical Performance¹

Parameter	Min	Typical	Max	Unit
Frequency Range	1700		2500	MHz
Insertion Loss		0.5	0.8	dB
Isolation	15	23		dB
IRL(S11)		-20	-15	dBm
ORL(S22/S33)		-23	-15	dBm
Amplitude Balance		0.05	0.2	dB
Phase Balance		0.7	2.0	deg

*All specifications apply to the following test conditions,

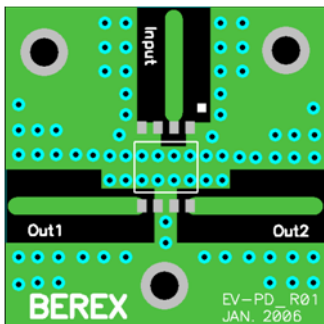
1. Device performance _ measured on BeRex E/B at 25°C, 50ohm system.
2. Insertion Loss: Above 3.0dB.
3. Back side ground _ soldered.

Absolute Maximum Ratings

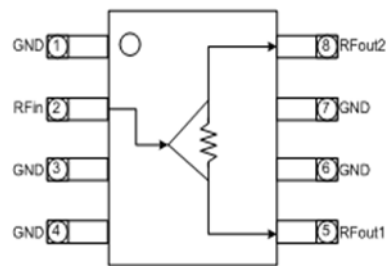
Parameter	Rating
Input Power	1W CW dBm
Storage Temperature	-55 to +155°C
Operating Temperature	-40 to +85°C

Operation of this device above any of these parameters may result in permanent damage.

Evaluation Board Drawing



Function Block Diagram



Pins 1,3,4,6 and 7 must be DC and RF grounded.

BD25B



Quadruple Band 2-Way SMT Power Divider

1700~2500MHz USPCS & PCS, WCDMA & TD-SCDMA, WiBro

Typical Test Data

With Back Side Ground Soldering

Parameters	Unit	USPCS & PCS			TD-SCDMA WCDMA			WiBro		
		1700	1800	1900	1900	2075	2250	2200	2350	2500
Frequency Range	MHz	1700	1800	1900	1900	2075	2250	2200	2350	2500
Insertion Loss	dB	0.37	0.38	0.38	0.38	0.42	0.53	0.48	0.60	0.75
Isolation	dB	19.6	20.8	21.9	21.9	25.7	28.9	30.6	22.2	15.5
IRL(S11)	dB	-21.3	-23.7	-25.4	-25.4	-22.0	-17.3	-18.5	-15.2	-12.6
ORL(S22,S33)	dB	-24.4	-32.2	-33.9	-33.9	-24.7	-22.4	-22.6	-22.5	-22.7
Phase Diff.	deg	0.2	0.2	0.3	0.3	0.4	0.5	0.5	0.7	0.7
Amplitude Balance	dB	0.07	0.07	0.07	0.08	0.09	0.10	0.10	0.12	0.10

Without Back Side Ground Soldering

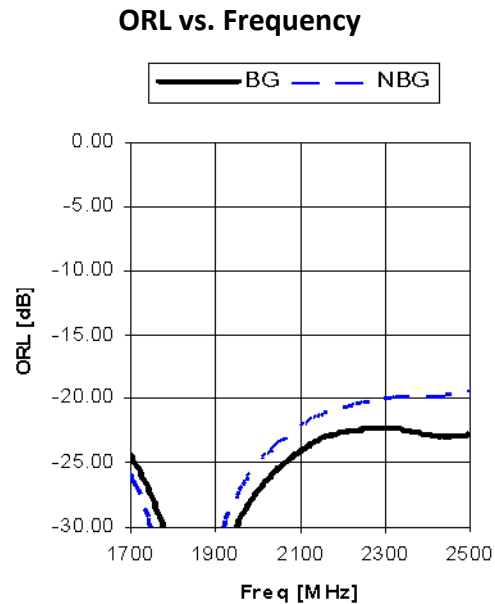
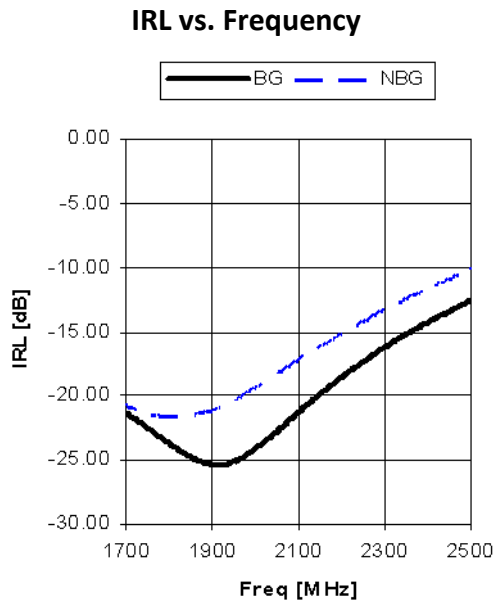
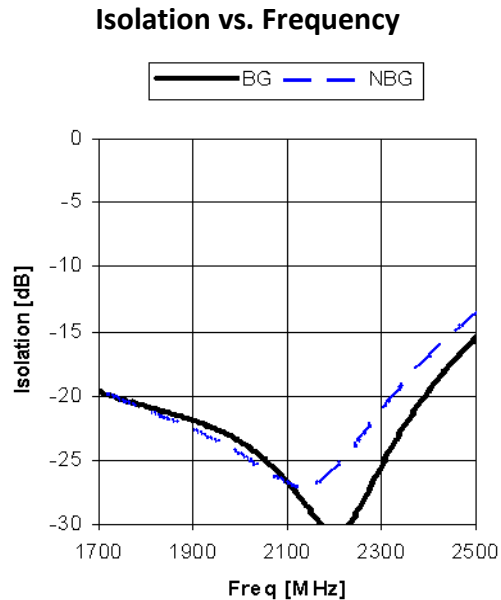
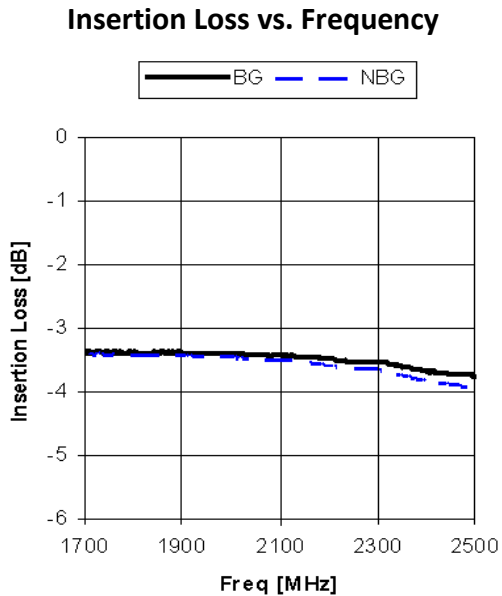
Parameters	Unit	USPCS & PCS			TD-SCDMA WCDMA			WiBro		
		1700	1800	1900	1900	2075	2250	2200	2350	2500
Frequency Range	MHz	1700	1800	1900	1900	2075	2250	2200	2350	2500
Insertion Loss	dB	0.40	0.41	0.42	0.42	0.49	0.64	0.59	0.75	0.94
Isolation	dB	19.5	21.1	22.7	22.7	26.3	23.6	25.7	19.0	13.7
IRL(S11)	dB	-20.8	-21.7	-21.1	-21.1	-17.8	-14.3	-15.2	-12.4	-10.2
ORL(S22,S33)	dB	-25.9	-37.8	-31.5	-31.5	-22.8	-20.3	-20.6	-19.9	-19.4
Phase Diff.	deg	1.5	1.5	1.6	1.6	1.7	1.7	1.7	1.7	2.0
Amplitude Balance	dB	0.08	0.08	0.09	0.09	0.11	0.10	0.11	0.10	0.08

BD25B



Quadruple Band 2-Way SMT Power Divider

1700~2500MHz USPCS & PCS, WCDMA & TD-SCDMA, WiBro



Notes)

- BG: Data taken with backside ground soldering
- NBG: Data taken without backside ground soldering

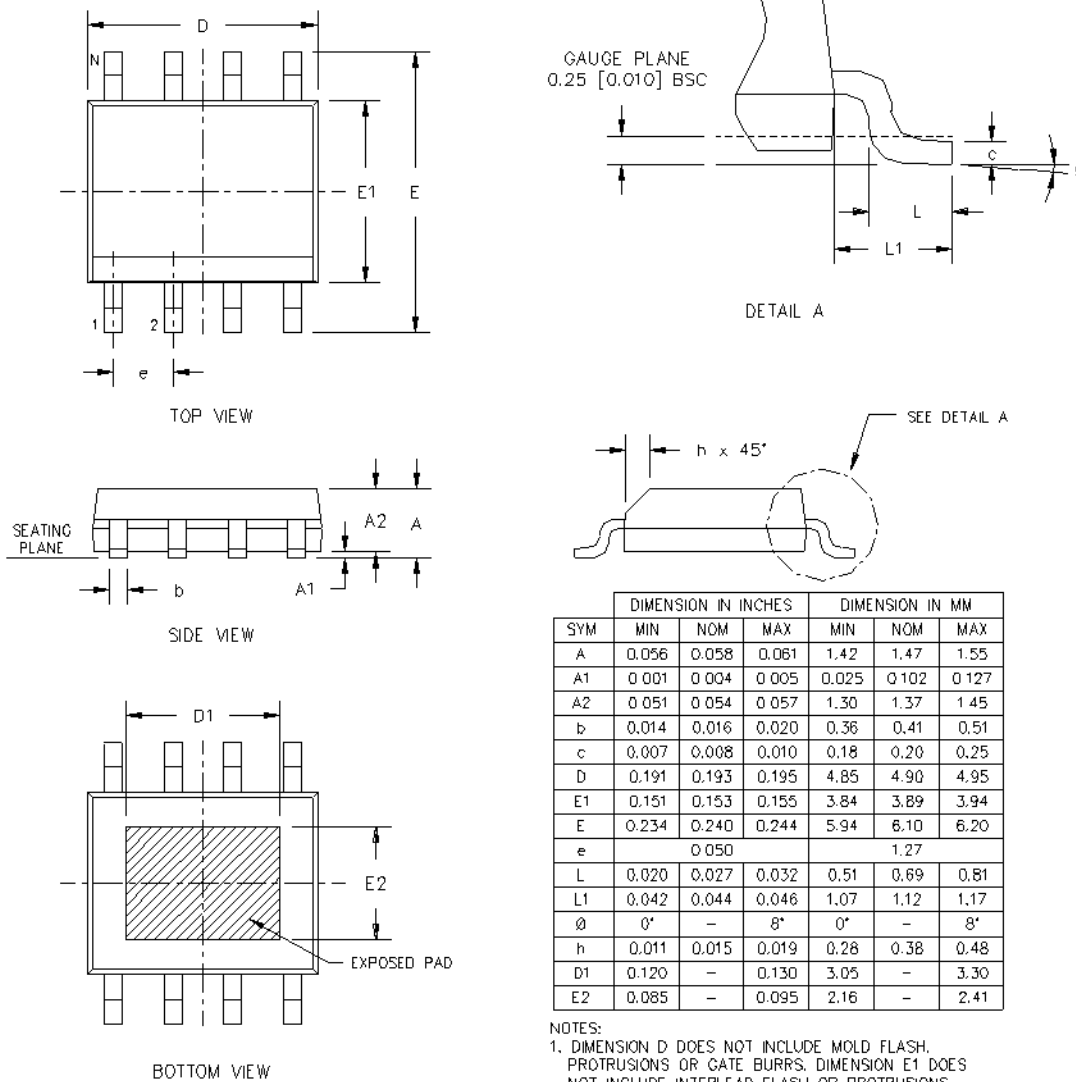
BD25B

Quadruple Band 2-Way SMT Power Divider

1700~2500MHz USPCS & PCS, WCDMA & TD-SCDMA, WiBro



Package Outline Drawing



- NOTES:
1. DIMENSION D DOES NOT INCLUDE MOLD FLASH, PROTRUSIONS OR GATE BURRS. DIMENSION E1 DOES NOT INCLUDE INTERLEAD FLASH OR PROTRUSIONS.
 2. COPLANARITY APPLIES TO THE TERMINALS. COPLANARITY SHALL NOT EXCEED 0.003" [0.08 mm].
 3. BASED FROM JEDEC MS-012 VARIATION AA.

BD25B

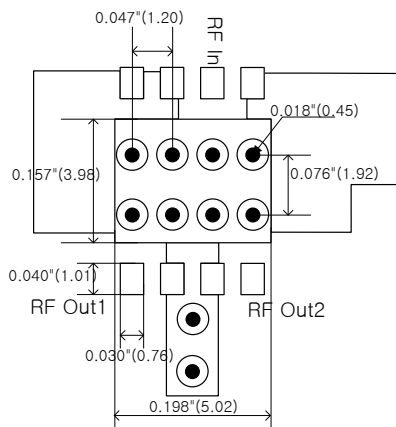
Quadruple Band 2-Way SMT Power Divider

1700~2500MHz USPCS & PCS, WCDMA & TD-SCDMA, WiBro

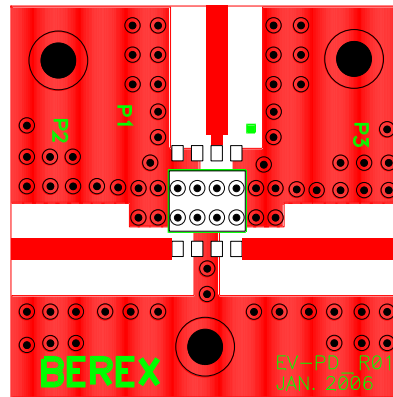


Suggested PCB Land Pattern and PAD Layout

PCB Land Pattern



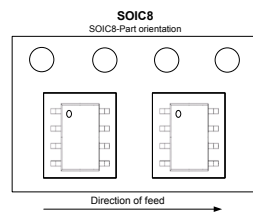
PCB Mounting



Note : All dimension _ millimeters

PCB lay out _ on BeRex website

Tape & Reel



Packaging information:

Tape Width (mm): 12

Reel Size (inches): 7

Device Cavity Pitch (mm): 8

Devices Per Reel: 1000

Lead plating finish

100% Tin Matte finish

(All BeRex products undergoes a 1 hour, 150 degree C, Anneal bake to eliminate thin whisker growth concerns.)

MSL / ESD Rating

MSL Rating: Level 3 at +265°C convection reflow

Standard: JEDEC Standard J-STD-020

NATO CAGE code:

2	N	9	6	F
---	---	---	---	---