

Features

- Low Current Consumption: $I_{DD} < 100 \mu A$
- RC Oscillator
- Internal Reset During Power-up and Supply Voltage Drops (POR)
- “Short” Trigger Window for Active Mode,
“Long” Trigger Window for Sleep Mode
- Cyclical Wake-up of the Microcontroller in Sleep Mode
- Trigger Input
- Single Wake-up Input
- Reset Output
- Enable Output



1. Description

The digital window watchdog timer, U5021M, is a CMOS integrated circuit. In applications where safety is critical, it is especially important to monitor the microcontroller. Normal microcontroller operation is indicated by a cyclically transmitted trigger signal, which is received by a window watchdog timer within a defined time window.

A missing or a wrong trigger signal causes the watchdog timer to reset the microcontroller. The IC is tailored for microcontrollers which can work in both full-power and sleep mode. With an additional voltage monitoring (power-on reset and supply voltage drop reset), the U5021M offers a complete monitoring solution for microsystems in automotive and industrial applications.



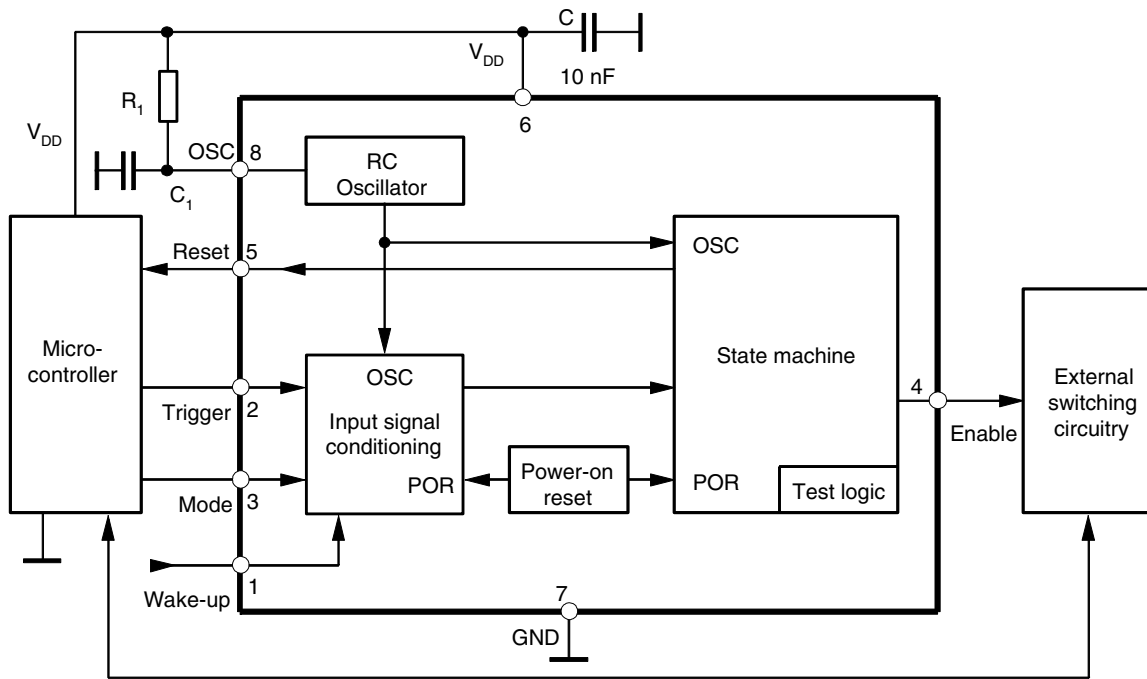
Digital Window Watchdog Timer

U5021M

Rev. 4756D-AUTO-11/05

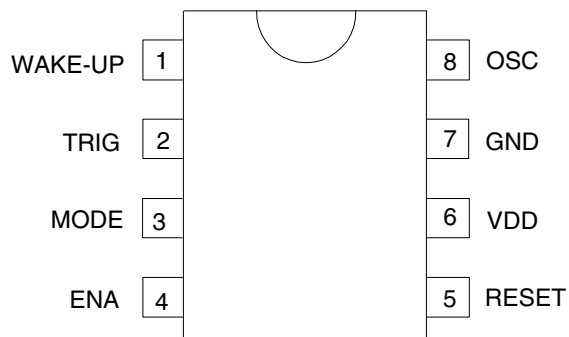


Figure 1-1. Block Diagram with External Circuit



2. Pin Configuration

Figure 2-1. Pinning SO8



3. Pin Description

Pin	Symbol	Function
1	WAKE-UP	Wake-up input (pull-down resistor) There is one digitally debounced wake-up input. During the long watchdog window, each signal slope at the input initiates a reset pulse at pin 5.
2	TRIG	Trigger input (pull-up resistor) It is connected to the microprocessor's trigger signal.
3	MODE	Mode input (pull-up resistor) The processor's mode signal initiates the switchover between the long and the short watchdog time.
4	ENA	Enable output (push-pull) It is used for the control of peripheral components. It is activated after the processor triggers three times correctly.
5	RESET	Reset output (open drain) Resets the processor in the case of a trigger error or if a wake-up pulse occurs during the long watchdog period.
6	VDD	Supply voltage
7	GND	Ground, reference voltage
8	OSC	RC oscillator

4. Functional Description

4.1 Supply Voltage, Pin 6

The U5021M requires a stabilized supply voltage $V_{DD} = 5\text{ V} \pm 5\%$ to comply with its electrical characteristics.

An external buffer capacitor of $C = 10\text{ nF}$ may be connected between pin 6 and GND.

4.2 RC Oscillator, Pin 8

The clock frequency, f , can be adjusted by the components R_1 and C_1 according to the formula:

$$f = \frac{1}{t}$$

where $t = 1.35 + 1.57 R_1 (C_1 + 0.01)$

R_1 in $k\Omega$, C_1 in nF and t in μs

The clock frequency determines all time periods of the logic part as shown in the table "Electrical Characteristics" under the subheading "Timing" on page 9. With an appropriate component selection, the clock frequency, f , is nearly independent of the supply voltage as shown in Figure 4-1 on page 4.

Frequency tolerance $\Delta f_{\max} = 10\%$ with $R_1 \pm 1\%$, $C_1 = \pm 5\%$

Figure 4-1. Period t versus R_1 , at $C_1 = 500$ pF

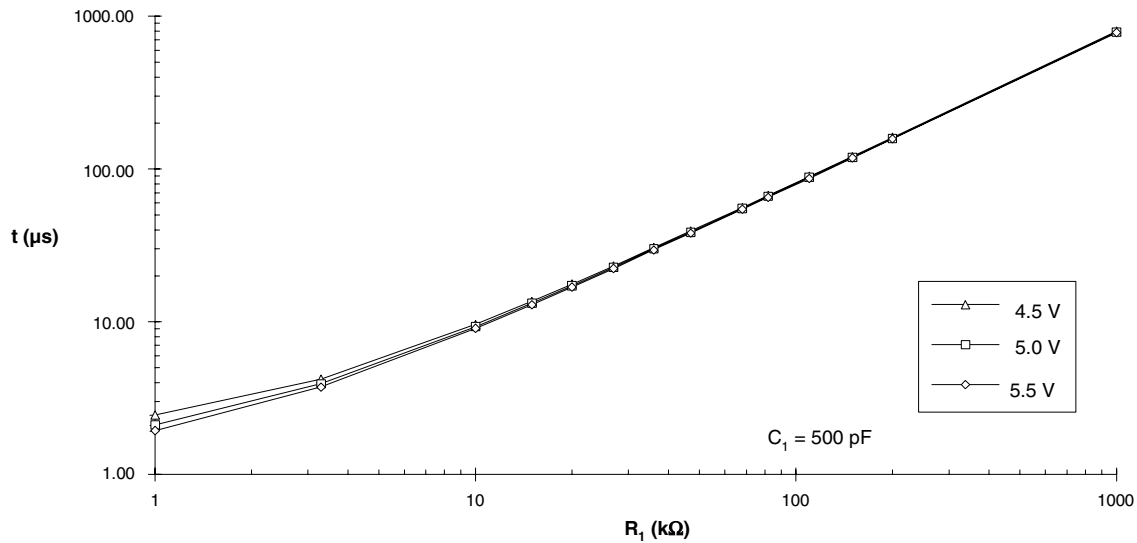


Figure 4-2. Power-on Reset and Switch-over Mode



4.3 Supply Voltage Monitoring, Pin 5

During ramp-up of the supply voltage and in the case of supply-voltage drops the integrated power-on reset (POR) circuitry sets the internal logic to a defined basic status and generates a reset pulse at the reset output, pin 5. A hysteresis in the POR threshold prevents the circuit from oscillating. During ramp-up of the supply voltage, the reset output stays active for a specified period of time (t_0) in order to bring the microcontroller into its defined reset status (see [Figure 4-2](#)). Pin 5 has an open-drain output.

4.4 Switch-over Mode Time, Pin 3

The switch-over mode time enables the synchronous operation of microcontroller and watchdog. When the power-on reset time has elapsed, the watchdog has to be switched to monitoring mode by the microcontroller by a “low” signal transmitted to the mode pin (pin 3) within the time-out period, t_1 . If the low signal does not occur within t_1 (see [Figure 4-2](#)), the watchdog generates a reset pulse, t_6 , and t_1 starts again. Microcontroller and watchdog are synchronized with the switch-over mode time, t_1 , each time a reset pulse is generated.

4.5 Microcontroller in Active Mode

4.5.1 Monitoring with the “Short” Trigger Window

After the switch-over mode the watchdog operates in short watchdog mode and expects a trigger pulse from the microcontroller within the defined time window, t_3 , (enable time). The watchdog generates a reset pulse which resets the microcontroller if

- the trigger pulse duration is too long
- the trigger pulse is within the disable time, t_2
- there is no trigger pulse

Figure 4-3 shows the pulse diagram with a missing trigger pulse.

Figure 4-3. Pulse Diagram with no Trigger Pulse During the Short Watchdog Time

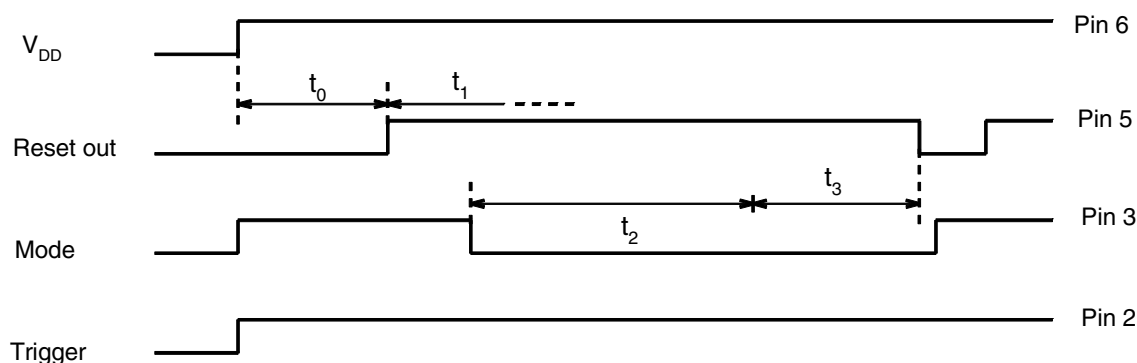


Figure 4-4 on page 6 shows a correct trigger sequence. The positive edge of the trigger signal starts a new monitoring cycle with the disable time, t_2 . To ensure correct operation of the microcontroller, the watchdog needs to be triggered three times correctly before it sets its enable output. This feature is used to activate or deactivate safety-critical components which have to be switched to a certain condition (emergency status) in the case of a microcontroller malfunction. As soon as there is an incorrect trigger sequence, the enable signal is reset and it takes a sequence of three correct triggers before enable is active.

4.6 Microcontroller in Sleep Mode

4.6.1 Monitoring with the “Long” Trigger Window

The long watchdog mode allows cyclical wake-up of the microcontroller during sleep mode. As in short watchdog mode, there is a disable time, t_4 , and an enable time, t_5 , in which a trigger signal is accepted. The watchdog can be switched from the short trigger window to the long trigger window with a “high” potential at the mode pin (pin 3). In contrast to the short watchdog mode, the time periods are now much longer and the enable output remains inactive so that other components can be switched off to effect a further decrease in current consumption. As soon as a wake-up signal at the wake-up input (pins 1) is detected, the long watchdog mode ends, a reset pulse wakes-up the sleeping microcontroller and the normal monitoring cycle starts with the mode switch-over time.

Figure 4-4. Pulse Diagram of a Correct Trigger Sequence During the Short Watchdog Time

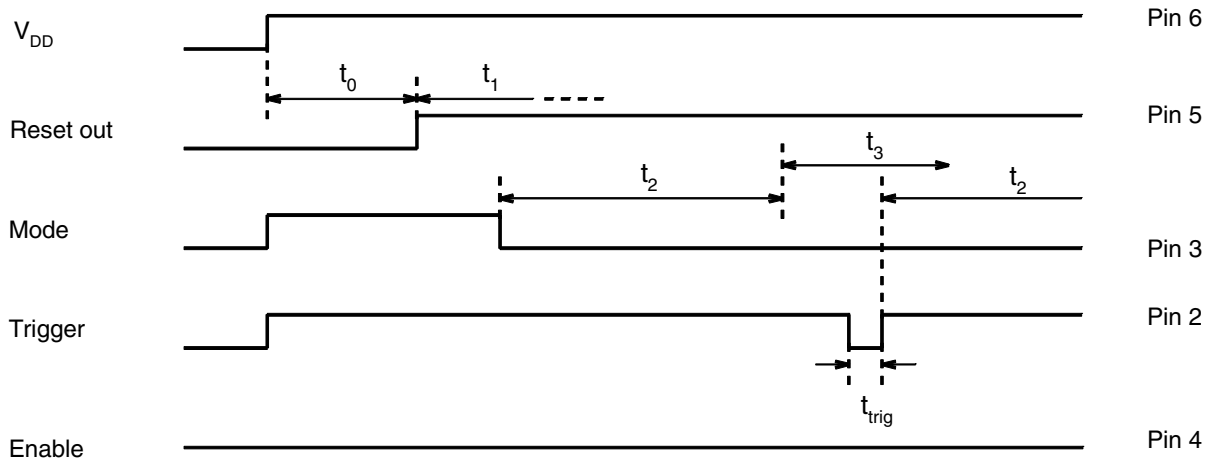
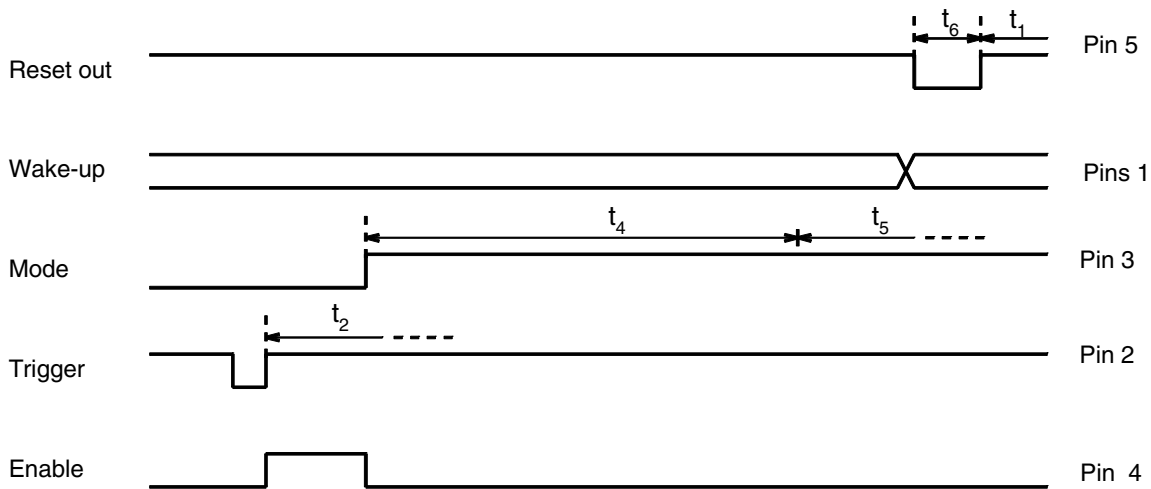


Figure 4-5 shows the switch-over from the short to the long watchdog mode. The wake-up signal during the enable time, t_5 , activates a reset pulse, t_6 .

The watchdog can be switched back from the long to the short watchdog mode with a low potential at the mode pin (pin 3).

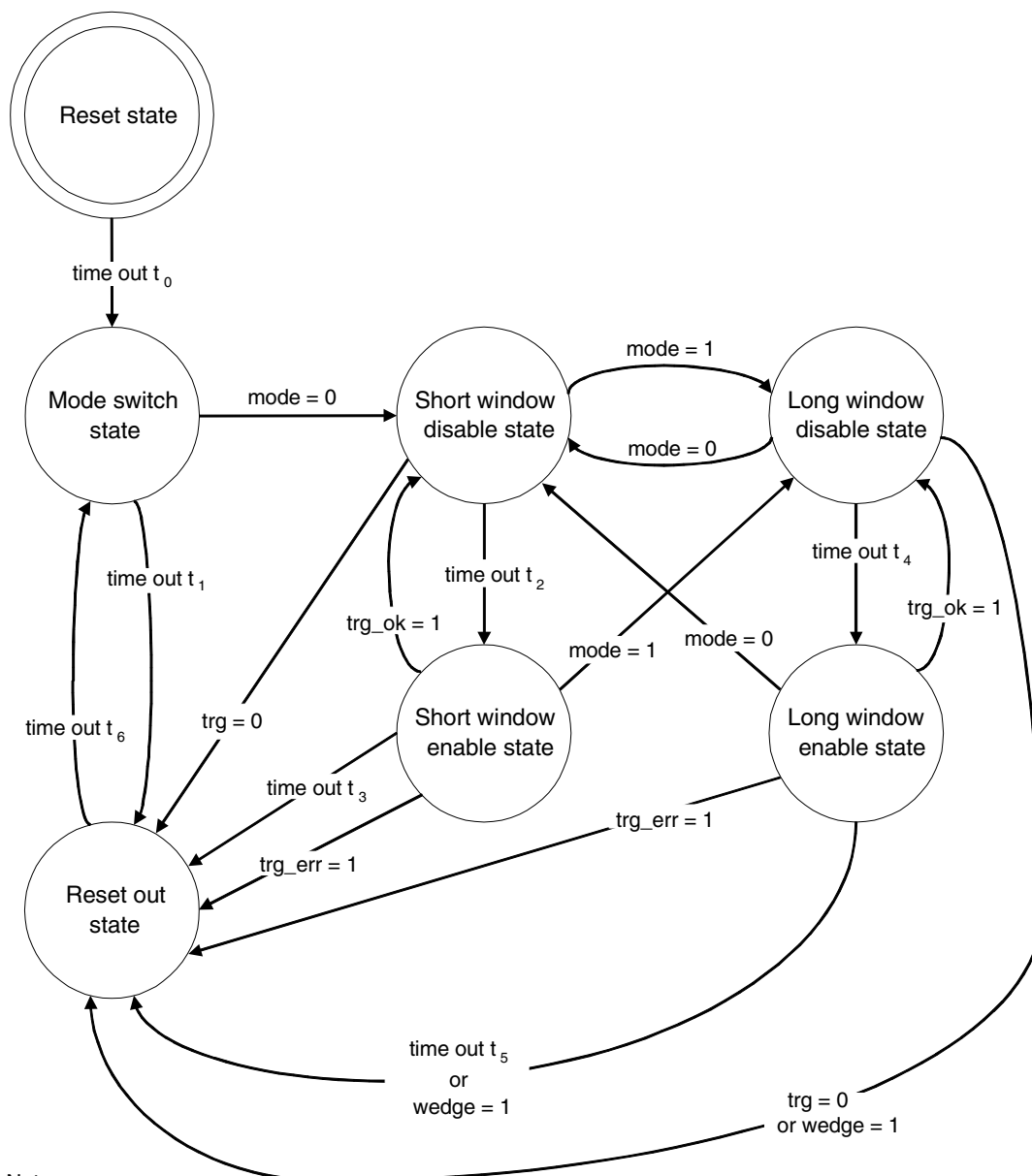
Figure 4-5. Pulse Diagram of the Long Watchdog Time



5. State Diagram

The kernel of the watchdog is a finite state machine. Figure 5-1 shows the state diagram with all possible states and transmissions. Many transmissions are controlled by an internal timer. The numbers for the time-outs are the same as on the pulse diagrams.

Figure 5-1. State Diagram

**Notes:**

- "mode" and "trg" are the debounced input signals from the pins MODE and TRG
- $trg_ok = 1$ after the rising edge of the trg signal
- $trg_err = 1$ when the trg signal low period is too long
- $wedge = 1$ after detecting the debounced changing of a signal level from the WUP pin
- Every state change restarts the internal timer
- If a state change is generated from an external debounced pin signal exactly one clock cycle before the internal timer initiates a state change itself, the state machine changes its state twice. The first state change is created by the signal change, and the second by the timeout of the internal timer. This occurs due to the timer getting its reset one clock cycle after a state change.

6. Absolute Maximum Ratings

Stresses beyond those listed under “Absolute Maximum Ratings” may cause permanent damage to the device. This is a stress rating only and functional operation of the device at these or any other conditions beyond those indicated in the operational sections of this specification is not implied. Exposure to absolute maximum rating conditions for extended periods may affect device reliability.

Parameters	Symbol	Value	Unit
Supply voltage	V_{DD}	6.5	V
Output current	I_{OUT}	±2	mA
Input voltage	V_{IN}	-0.4 V to $V_{DD} + 0.4$ V	V
Ambient temperature range	T_{amb}	-40 to +125	°C
Storage temperature range	T_{stg}	-55 to +150	°C

7. Thermal Resistance

Parameters	Symbol	Value	Unit
Junction ambient	R_{thJA}	180	K/W

8. Electrical Characteristics

$V_{DD} = 5$ V; $T_{amb} = -40^{\circ}\text{C}$ to $+85^{\circ}\text{C}$; reference point is pin 7, unless otherwise specified

Parameters	Test Conditions	Pin	Symbol	Min.	Typ.	Max.	Unit
Supply voltage		6	V_{DD}	4.5		5.5	V
Current consumption	$R_1 = 66$ k Ω	6	I_{DD}			60	μA
Power-on reset	Release reset state with rising voltage	6	V_{POR1}	3.9		4.5	V
	Get reset state with falling voltage	6	V_{POR2}	3.8		4.4	V
Power-on reset hysteresis			V_{POR_hys}	40		200	mV
Reset level for low V_{DD}	$V_{DD} = 1$ V to V_{POR1} $I_{RST} = -300$ μA		V_{RST}			0.1	V_{DD}
Inputs		1, 2, 3					
Logical “high”			V_{IH}	3.4			V
Logical “low”			V_{IL}			1.6	V
Hysteresis			V_{IN_hys}	0.6		1.4	V
Input voltage range			V_{IN}	-0.3		$V_{DD} + 0.3$	V
Input current		2, 3	I_{IN1}	5		20	μA
Input current		1	I_{IN2}	-20		-5	μA
Outputs							
Maximum output current		4, 5	I_{OUT}	-2		2	mA
Logical output “low”	$I_{OUT} = -1$ mA	4, 5	V_{OL}			0.2	V
Logical output “high”	$I_{OUT} = -1$ mA	4	V_{OH}	$V_{DD} - 0.2$			V
Leakage current	$V_{OUT} = 5$ V	5	I_{leak}			2	μA

8. Electrical Characteristics (Continued)

$V_{DD} = 5\text{ V}$; $T_{amb} = -40^{\circ}\text{C}$ to $+85^{\circ}\text{C}$; reference point is pin 7, unless otherwise specified

Parameters	Test Conditions	Pin	Symbol	Min.	Typ.	Max.	Unit
Timing							
Frequency deviation ⁽¹⁾	$R_1 = 66\text{ k}\Omega$, $C_1 = 470\text{ pF}$, $V_{DD} = 4.5\text{ V}$ to 5.5 V		Δf			5	%
Debounce time		2, 3		3		4	Cycle
Debounce time		1		96		128	Cycle
Maximum trigger pulse length			t_{trgmax}		45		Cycle
Power-up reset time			t_0		201		Cycle
Switch over mode time			t_1		1,112		Cycle
Disable time	Short watchdog window		t_2		130		Cycle
Enable time	Short watchdog window		t_3		124		Cycle
Disable time	Long watchdog window		t_4		71,970		Cycle
Enable time	Long watchdog window		t_5		30,002		Cycle
Reset-out time			t_6		40		Cycle

Note: 1. Frequency deviation also depends on the tolerances of the external components

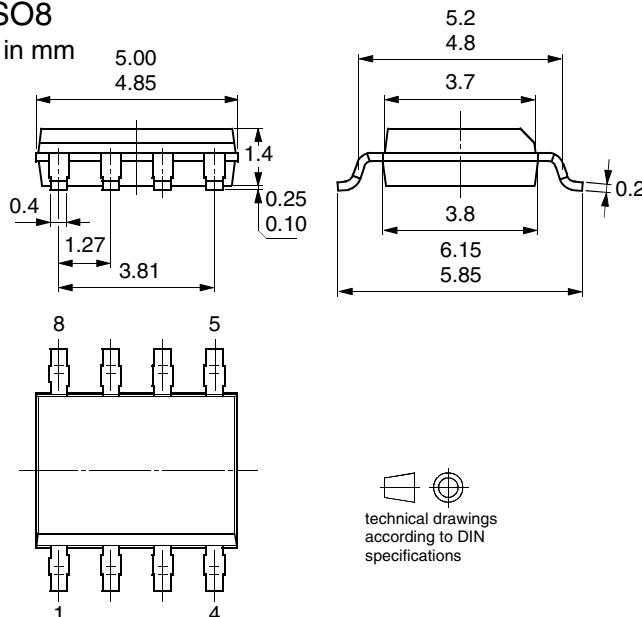
9. Ordering Information

Extended Type Number	Package	Remarks
U5021M-NFPY	SO8	Tubed, Pb-free
U5021M-NFPG3Y	SO8	Taped and reeled, Pb-free

10. Package Information

Package SO8

Dimensions in mm



11. Revision History

Please note that the following page numbers referred to in this section refer to the specific revision mentioned, not to this document.

Revision No.	History
4756D-AUTO-11/05	<ul style="list-style-type: none">• Put datasheet in a new template• First page: Pb-free logo added• Page 7: figure 5-1 changed• Page 9: Ordering Information changed
4756C-AUTO-09/04	<ul style="list-style-type: none">• Electrical Characteristics Table, page 8, row "Reset capability" changed in "Reset level for low VDD"
4756B-AUTO-07/04	<ul style="list-style-type: none">• Electrical Characteristics Table, page 8, row "Reset capability" added



Atmel Corporation

2325 Orchard Parkway
San Jose, CA 95131, USA
Tel: 1(408) 441-0311
Fax: 1(408) 487-2600

Regional Headquarters

Europe

Atmel Sarl
Route des Arsenaux 41
Case Postale 80
CH-1705 Fribourg
Switzerland
Tel: (41) 26-426-5555
Fax: (41) 26-426-5500

Asia

Room 1219
Chinachem Golden Plaza
77 Mody Road Tsimshatsui
East Kowloon
Hong Kong
Tel: (852) 2721-9778
Fax: (852) 2722-1369

Japan

9F, Tonetsu Shinkawa Bldg.
1-24-8 Shinkawa
Chuo-ku, Tokyo 104-0033
Japan
Tel: (81) 3-3523-3551
Fax: (81) 3-3523-7581

Atmel Operations

Memory

2325 Orchard Parkway
San Jose, CA 95131, USA
Tel: 1(408) 441-0311
Fax: 1(408) 436-4314

Microcontrollers

2325 Orchard Parkway
San Jose, CA 95131, USA
Tel: 1(408) 441-0311
Fax: 1(408) 436-4314

La Chantrerie
BP 70602
44306 Nantes Cedex 3, France
Tel: (33) 2-40-18-18-18
Fax: (33) 2-40-18-19-60

ASIC/ASSP/Smart Cards

Zone Industrielle
13106 Rousset Cedex, France
Tel: (33) 4-42-53-60-00
Fax: (33) 4-42-53-60-01

1150 East Cheyenne Mtn. Blvd.
Colorado Springs, CO 80906, USA
Tel: 1(719) 576-3300
Fax: 1(719) 540-1759

Scottish Enterprise Technology Park
Maxwell Building
East Kilbride G75 0QR, Scotland
Tel: (44) 1355-803-000
Fax: (44) 1355-242-743

RF/Automotive

Theresienstrasse 2
Postfach 3535
74025 Heilbronn, Germany
Tel: (49) 71-31-67-0
Fax: (49) 71-31-67-2340

1150 East Cheyenne Mtn. Blvd.
Colorado Springs, CO 80906, USA
Tel: 1(719) 576-3300
Fax: 1(719) 540-1759

Biometrics/Imaging/Hi-Rel MPU/ High Speed Converters/RF Datacom

Avenue de Rochepleine
BP 123
38521 Saint-Egreve Cedex, France
Tel: (33) 4-76-58-30-00
Fax: (33) 4-76-58-34-80

Literature Requests

www.atmel.com/literature

Disclaimer: The information in this document is provided in connection with Atmel products. No license, express or implied, by estoppel or otherwise, to any intellectual property right is granted by this document or in connection with the sale of Atmel products. **EXCEPT AS SET FORTH IN ATMEL'S TERMS AND CONDITIONS OF SALE LOCATED ON ATMEL'S WEB SITE, ATMEL ASSUMES NO LIABILITY WHATSOEVER AND DISCLAIMS ANY EXPRESS, IMPLIED OR STATUTORY WARRANTY RELATING TO ITS PRODUCTS INCLUDING, BUT NOT LIMITED TO, THE IMPLIED WARRANTY OF MERCHANTABILITY, FITNESS FOR A PARTICULAR PURPOSE, OR NON-INFRINGEMENT. IN NO EVENT SHALL ATMEL BE LIABLE FOR ANY DIRECT, INDIRECT, CONSEQUENTIAL, PUNITIVE, SPECIAL OR INCIDENTAL DAMAGES (INCLUDING, WITHOUT LIMITATION, DAMAGES FOR LOSS OF PROFITS, BUSINESS INTERRUPTION, OR LOSS OF INFORMATION) ARISING OUT OF THE USE OR INABILITY TO USE THIS DOCUMENT, EVEN IF ATMEL HAS BEEN ADVISED OF THE POSSIBILITY OF SUCH DAMAGES.** Atmel makes no representations or warranties with respect to the accuracy or completeness of the contents of this document and reserves the right to make changes to specifications and product descriptions at any time without notice. Atmel does not make any commitment to update the information contained herein. Unless specifically provided otherwise, Atmel products are not suitable for, and shall not be used in, automotive applications. Atmel's products are not intended, authorized, or warranted for use as components in applications intended to support or sustain life.

© Atmel Corporation 2005. All rights reserved. Atmel®, logo and combinations thereof, Everywhere You Are® and others, are registered trademarks or trademarks of Atmel Corporation or its subsidiaries. Other terms and product names may be trademarks of others.



Printed on recycled paper.

4756D-AUTO-11/05