



STR71xF

ARM7TDMI™ 16/32-BIT MCU WITH FLASH, USB, CAN 5 TIMERS, ADC, 10 COMMUNICATIONS INTERFACES

PRELIMINARY DATA

■ Memories

- Up to 256+16 Kbytes Flash memory (100,000 cycles endurance, 20 yrs retention)
- Up to 64 Kbytes RAM
- External Memory Interface (EMI) for up to 4 banks of SRAM, Flash, ROM.
- Multi-boot capability

■ Clock, Reset and Supply Management

- 3.3V application supply and I/O interface
- Internal 1.8V voltage regulator for core supply
- 0 to 16 MHz external main oscillator
- 32 kHz external backup oscillator
- Embedded PLL for CPU clock
- Up to 50 MHz CPU operating frequency when executing from Flash
- Realtime Clock for clock-calendar function
- 4 power saving modes: SLOW, WAIT, STOP and STANDBY modes

■ Nested interrupt controller

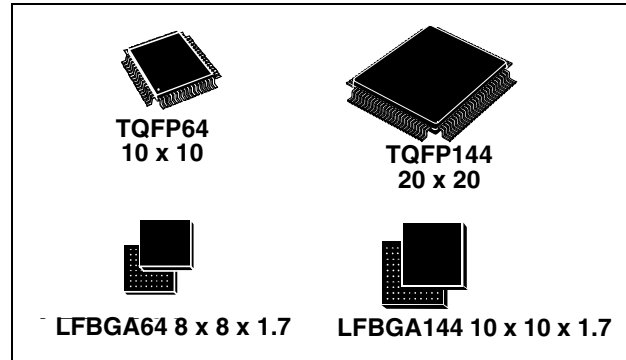
- Fast interrupt handling with multiple vectors
- 32 vectors with 16 IRQ priority levels
- 2 maskable FIQ sources

■ Up to 48 I/O ports

- 30/32/48 multifunctional bidirectional I/O lines
- 14 ports with interrupt capability

■ 5 Timers

- 16-bit watchdog timer
- 4 16-bit timers with: 2 input captures, 2 output compares, PWM and pulse counter modes



■ 10 Communications Interfaces

- 2 I²C interfaces (1 multiplexed with SPI)
- 4 UART asynchronous serial interfaces
- Smart Card ISO7816-3 interface on UART1
- 2 BSPI synchronous serial interfaces
- CAN interface (2.0B Active)
- USB v 2.0 Full Speed (12Mbit/s) Device Function with Suspend and Resume support
- HDLC synchronous communications

■ 4-channel 12-bit A/D Converter

- Conversion time:
 - 4 channels: up to 500 Hz (2 ms)
 - 1 channel: up to 1 kHz (1 ms)
- Conversion range: 0 to 2.5V

■ Development Tools Support

- JTAG with debug mode trigger request

Table 1. Device Summary

Features	STR710FZ		STR711FR			STR712FR			STR715FR
	1	2	0	1	2	0	1	2	0
FLASH - Kbytes	128+16	256+16	64+16	128+16	256+16	64+16	128+16	256+16	64+16
RAM - Kbytes	32	64	16	32	64	16	32	64	16
Peripheral Functions	CAN, EMI, USB, 48 I/Os		USB, 30 I/Os			CAN, 32 I/Os			32 I/Os
Operating Voltage	3.0 to 3.6V (optional 1.8V for core)								
Operating Temp.	-40 to +85°C								
Packages	T=TQFP144 20 x 20 H=LFBGA144 10 x 10		T=TQFP64 10 x 10 / H=LFBGA64 8 x 8 x 1.7						

Rev. 6

Table of Contents

1 INTRODUCTION	3
1.1 Overview	3
1.2 Related Documentation	8
1.3 Pin Description for 144-Pin Packages	9
1.4 Pin Description for 64-Pin Packages	18
1.5 External Connections	26
1.6 I/O Port Configuration	26
1.7 Memory Mapping	27
2 ELECTRICAL CHARACTERISTICS	30
2.1 Absolute Maximum Ratings	30
2.2 Operating Conditions	31
2.3 LVD Electrical Characteristics	31
2.4 DC Electrical Characteristics	32
2.5 AC Electrical Characteristics	33
2.6 nRSTIN Input Filter Characteristics	34
2.7 Oscillator Electrical Characteristics	35
2.8 PLL Electrical Characteristics	35
2.9 Flash Electrical characteristics	37
2.10 External Memory Bus Timing	38
2.11 ADC Electrical Characteristics	43
3 PACKAGE CHARACTERISTICS	44
3.1 Package Mechanical Data	44
3.2 Thermal Characteristics	46
4 ORDER CODES	47
5 REVISION HISTORY	48

Note: For detailed information on the STR71xF Microcontroller memory, registers and peripherals, please refer to the STR71xF Reference Manual.

1 INTRODUCTION

This Preliminary Data provides the STR71x Ordering Information, Mechanical and Electrical Device Characteristics.

For complete information on the STR71xF Microcontroller memory, registers and peripherals, please refer to the STR71xF Reference Manual.

For information on programming, erasing and protection of the internal Flash memory please refer to the STR7 Flash Programming Reference Manual

For information on the ARM7TDMI core please refer to the ARM7TDMI Technical Reference Manual.

1.1 Overview

ARM® core with embedded Flash & RAM

The STR71xF series is a family of ARM-powered 16/32-bit Microcontrollers with embedded Flash and RAM. It combines the high performance ARM7TDMI CPU with an extensive range of peripheral functions and enhanced I/O capabilities. All devices have on-chip high-speed single voltage FLASH memory and high-speed RAM. The STR71xF family has an embedded ARM core and is therefore compatible with all ARM tools and software.

For information on the **ARM Realview Developer Kit for ST** and third-party development tools, please refer to the <http://www.st.com> website

Package Choice: Low Pin-Count 64-pin or Feature-Rich 144-pin TQFP or BGA

The STR71xF family is available in 4 main versions.

The 144-pin versions have the full set of all features including CAN, USB and External Memory Interface.

- **STR710F:** 144-pin BGA or TQFP with CAN, USB and EMI

The three 64-pin versions (BGA or TQFP) do not include External Memory Interface.

- **STR715F:** 64-pin BGA or TQFP without CAN or USB
- **STR711F:** 64-pin BGA or TQFP with USB
- **STR712F:** 64-pin BGA or TQFP with CAN



Optional External Memory (STR710F)

The non-multiplexed 16-bit data/24-bit address bus available on the STR710F (144-pin) supports four 16-Mbyte banks of external memory. Wait states are programmable individually for each bank allowing different memory types (Flash, EPROM, ROM, SRAM etc.) to be used to store programs or data.

Figure 1 shows the general block diagram of the device family.

Flexible Power Management

To minimize power consumption, you can program the STR71xF to switch to SLOW, WAIT FOR INTERRUPT, STOP or STANDBY mode depending on the current system activity in the application.

Flexible Clock Control

Two external clock sources can be used, a main clock and a 32 kHz backup clock. The embedded PLL allows the internal system clock (up to 50 MHz) to be generated from a main clock frequency of 16 MHz or less. The PLL output frequency can be programmed using a wide selection of multipliers and dividers.

Voltage Regulators

The STR71xF requires an external 3.0-3.6V power supply. There are two internal Voltage Regulators for generating the 1.8V power supply for the core and peripherals. The main VR is switched off and the Low Power VR switched on when the application puts the STR71xF in Standby or Low Power Wait for Interrupt (LPWFI) mode.

Low Voltage Detectors

Each voltage regulator has an embedded LVD that monitors the internal 1.8V supply. If the voltage drops below a certain threshold, the LVD will reset the STR71xF.

On-Chip Peripherals

CAN Interface (STR710F and STR712F)

The CAN module is compliant with the CAN specification V2.0 part B (active). The bit rate can be programmed up to 1 MBaud.

USB Interface (STR710F and STR711F)

The full-speed USB interface is USB V2.0 compliant and provides up to 8 bidirectional/16 unidirectional endpoints, up to 12 Mb/s (full-speed), support for bulk transfer and USB Suspend/Resume functions.

Standard Timers

Each of the four timers have a 16-bit free-running counter with 7-bit prescaler, up to two input capture/output compare functions, a pulse counter function, and a PWM channel with selectable frequency.

Realtime Clock (RTC)

The RTC provides a set of continuously running counters driven by a low power 32kHz internal oscillator. The RTC can be used as a general timebase or clock/calendar/alarm function. When the STR71xF is in Standby mode the RTC can be kept running, powered by the low power voltage regulator and driven by the 32kHz internal oscillator.

UARTs

The 4 UARTs allow full duplex, asynchronous, communications with external devices with independently programmable TX and RX baud rates up to 625 kb/s.

Smart Card Interface

UART1 is configurable to function either as a general purpose UART or as an asynchronous Smart Card interface as defined by ISO 7816-3. It includes Smart Card clock generation and provides support features for synchronous cards.

Buffered Serial Peripheral Interfaces (BSPI)

Each of the two SPIs allow full duplex, synchronous communications with external devices, master or slave communication at up to 5.5Mb/s in Master mode and 4 Mb/s in Slave mode.

I²C Interfaces

The two I²C Interfaces provide multi-master and slave functions, support normal and fast I²C mode (400 kHz) and 7 or 10-bit addressing modes.

One I²C Interface is multiplexed with one SPI, so either 2xSPI+1x I²C or 1xSPI+2x I²C may be used at a time.

HDLC interface

The High Level Data Link Controller (HDLC) unit supports full duplex operation and NRZ, NRZI, FM0 or MANCHESTER protocols. It has an internal 8-bit baud rate generator.

A/D Converter

The Analog to Digital Converter, converts in single channel or up to 4 channels in single-shot or continuous conversion modes. Resolution is 12-bit with a sample rate of 0.5 kHz (1 kHz in single channel mode). The input voltage range is 0-2.5V.

Watchdog

The 16-bit Watchdog Timer protects the application against hardware or software failures and ensures recovery by generating a reset.

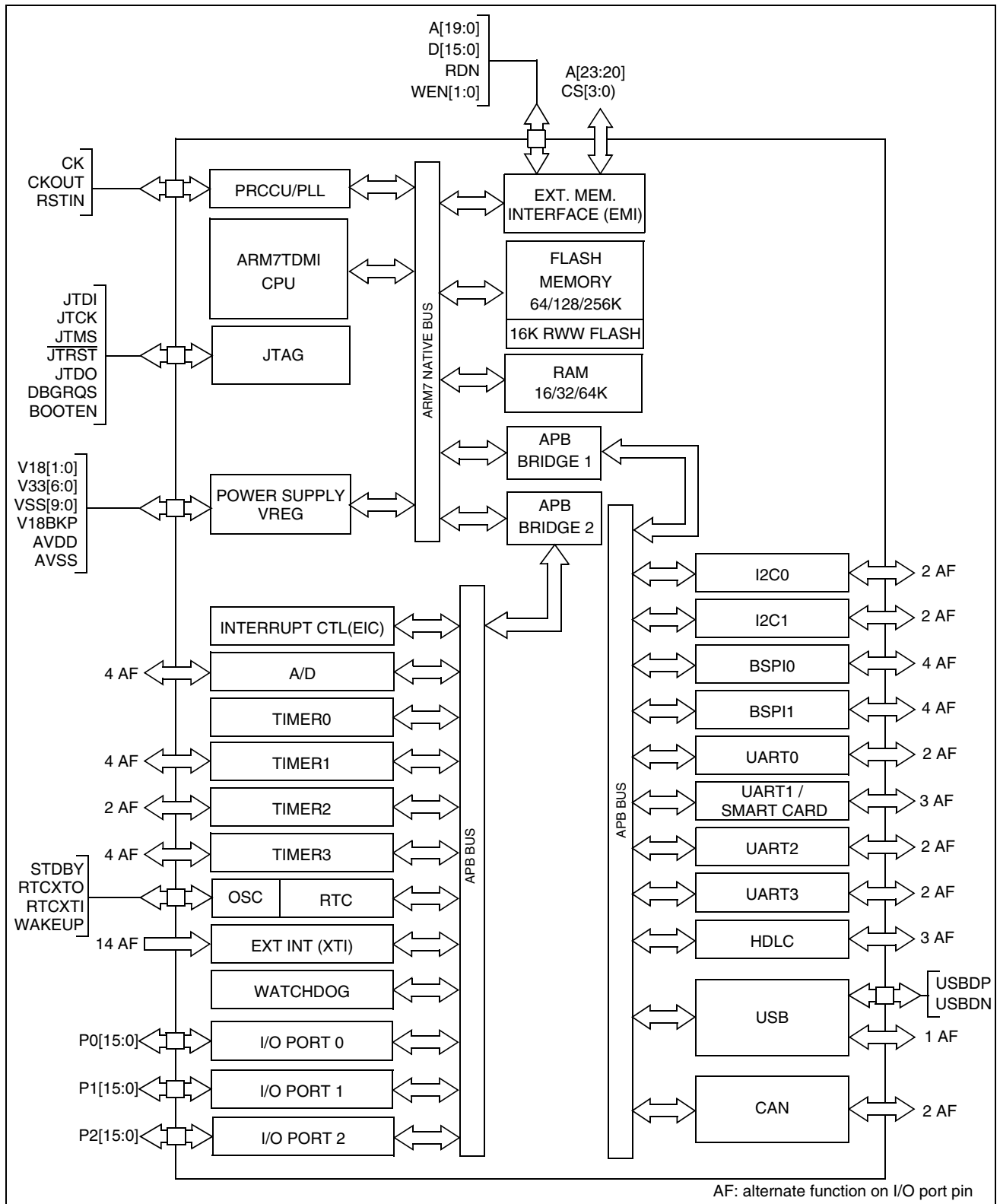
I/O Ports

The 48 I/O ports are programmable as Inputs or Outputs.

External Interrupts

Up to 14 external interrupts are available for application use or to wake-up the application from STOP mode.

Figure 1. STR71xF Block Diagram



1.2 Related Documentation

Available from www.arm.com:

ARM7TDMI Technical Reference Manual

Available from <http://www.st.com>:

STR71x Reference Manual

STR7 Flash Programming Reference Manual

AN1774 - Getting Started with STR71xF Software development

AN1775 - Getting Started with STR71xF Hardware development

AN1776 - STR71xF Enhanced Interrupt Controller

AN1777 - STR71xF Memory Mapping

AN1778 - STR71xF Multi-ICE Setup

AN1780 - Real Time Clock with STR71xF

AN1781 - Four 7 Segment Display Drive Using the STR71xF

The above is a selected list only, a full list STR71x application notes can be viewed at <http://www.st.com>.

1.3 Pin Description for 144-Pin Packages

Figure 2. STR710 TQFP Pinout

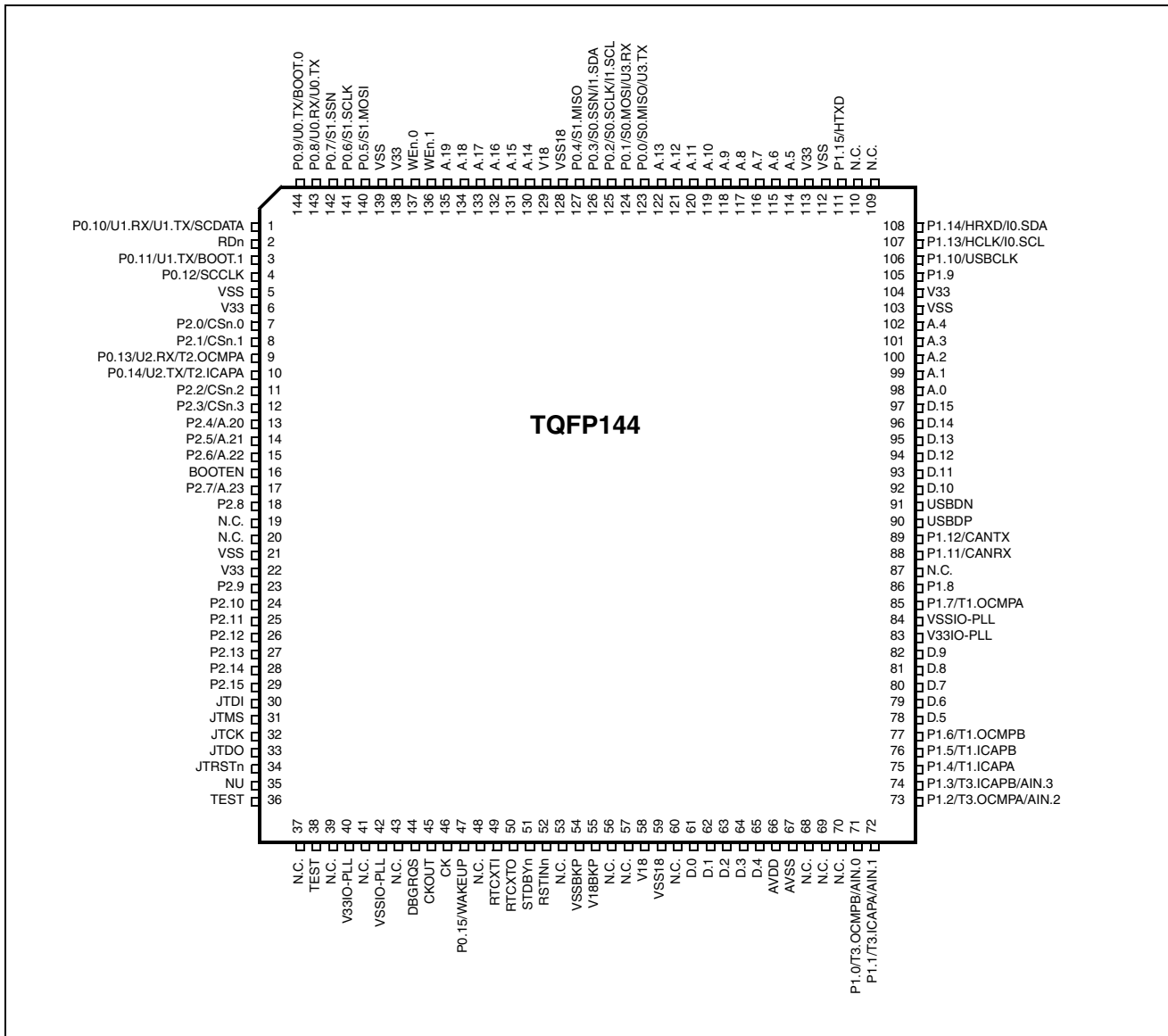


Table 2. STR710 BGA Ball Connections

	A	B	C	D	E	F	G	H	J	K	L	M
1	P0.10	P2.0	P2.1	VSS	P2.2	P2.6	BOOT EN	P2.12	P2.13	P2.15	JTDI	N.C.
2	VSS	RDn	P0.11	V33	P2.3	P2.8	P2.9	JTMS	JTRSTn	TEST	TEST	N.C.
3	V33	P0.9	P0.12	P0.13	P2.4	VSS	P2.10	JTCK	NU	V33	N.C.	DBG RQS
4	P0.6	P0.7	P0.8	P0.14	P2.5	N.C.	P2.11	JTDO	CK	CKOUT	VSSIO- PLL	N.C.
5	A.19	WEn.1	WEn.0	P0.5	P2.7	N.C.	P2.14	nc	RTCX- TO	RTCXTI	nc	P0.15
6	P0.3	A.15	A.16	A.17	A.18	V33	V18	N.C.	N.C.	V18BKP	VSS BKP	STDBYn
7	P0.2	P0.1	P0.4	VSS18	V18	A.14	D.12	D.1	D.0	nc	VSS18	RSTINn
8	A.9	A.10	A.11	A.13	P0.0	A.0	D.11	P1.12/ CANTX	N.C.	AVSS	D.3	D.2
9	VSS	V33	A.5	A.6	V33	D.15	D.10	P1.8	D.9	P1.0	N.C.	N.C.
10	A.8	N.C.	P1.15	P1.13	VSS	D.14	USBDN	P1.7	D.8	P1.5	P1.1	D.4
11	A.7	N.C.	P1.14	P1.10	A.2	D.13	USBDP	VSS	D.5	P1.4	P1.3	AVDD
12	A.12	A.4	A.3	P1.9	A.1	N.C.	P1.11/ CANRX	V33IO- PLL	P1.6	D.7	D.6	P1.2

Legend / Abbreviations for Table 3:

Type: I = input, O = output, S = supply, HiZ= high impedance,

In/Output level: C = CMOS 0.3V_{DD}/0.7V_{DD}

C_T = CMOS 0.8V / 2V with input trigger

T_T = TTL 0.3V_{DD}/0.7V_{DD} with input trigger

C/T = Programmable levels: CMOS 0.3V_{DD}/0.7V_{DD} or TTL 0.8V / 2V

Port and control configuration:

- Input: pu/pd= software enabled internal pull-up or pull down
pu= in reset state, the internal 100kΩ weak pull-up is enabled.
pd = in reset state, the internal 100kΩ weak pull-down is enabled.
- Output: OD = open drain (logic level)
PP = push-pull
T = true OD, (P-Buffer and protection diode to V_{DD} not implemented), 5V tolerant.

Table 3. STR710 Pin Description

Pin n°	Pin Name	Type	Input Reset State ¹⁾	Input		Output			Active in Stdby	Main function (after reset)	Alternate function	
				Input Level	interrupt	Capability	OD	PP				
1	P0.10/U1.RX/ U1.TX/ SC.DATA	I/O	pd	C _T	X	4mA	T			Port 0.10	UART1: Receive Data input	UART1: Transmit data output.
											Note: This pin may be used for Smartcard DataIn/DataOut or single wire UART (half duplex) if programmed as Alternate Function Output. The pin will be tri-stated except when UART transmission is in progress	
2	\overline{RD}	O									External Memory Interface: Active low read signal for external memory. It maps to the OE_N input of the external components.	
3	P0.11/ BOOT.1/ U1.TX	I/O	pd	C _T		4mA	X	X		Port 0.11	Select Boot Configuration input	UART1: Transmit data output.
4	P0.12/SC.CLK	I/O	pd	C _T		4mA				Port 0.12	Smartcard reference clock output	
5	V _{SS}	S									Ground voltage for digital I/Os	
6	V ₃₃	S									Supply voltage for digital I/Os	
7	P2.0/ \overline{CS} .0	I/O	pu	C _T		8mA	X	X		Port 2.0	External Memory Interface: Select Memory Bank 0 output Note: This pin is forced to output mode at reset to allow boot from external memory	
8	P2.1/ \overline{CS} .1	I/O	pu ₂₎	C _T		8mA	X	X		Port 2.1	External Memory Interface: Select Memory Bank 1 output	
9	P0.13/U2.RX/ T2.OCMPA	I/O	pu	C _T	X	4mA	X	X		Port 0.13	UART2: Receive Data input	Timer2: Output Compare A output
10	P0.14/U2.TX/ T2.ICAPA	I/O	pu	C _T		4mA	X	X		Port 0.14	UART2: Transmit data output	Timer2: Input Capture A input
11	P2.2/ \overline{CS} .2	I/O	pu ₂₎	C _T		8mA	X	X		Port 2.2	External Memory Interface: Select Memory Bank 3 output	

Table 3. STR710 Pin Description

Pin n°		Pin Name	Type	Input Reset State ¹⁾	Input		Output			Active in Stdby	Main function (after reset)	Alternate function
TQFP144	BGA144				Input Level	Interrupt	Capability	OD	PP			
12	E2	P2.3/ \overline{CS} .3	I/O	pu ₂₎	C _T		8mA	X	X		Port 2.3	External Memory Interface: Select Memory Bank 4 output
13	E3	P2.4/A.20	I/O	pd ₃₎	C _T		8mA	X	X		Port 2.4	External Memory Interface: address bus
14	E4	P2.5/A.21	I/O	pd ₃₎	C _T		8mA	X	X		Port 2.5	
15	F1	P2.6/A.22	I/O	pd ₃₎	C _T		8mA	X	X		Port 2.6	
16	G1	BOOTEN	I		C _T							Boot control input. Enables sampling of BOOT[1:0] pins
17	E5	P2.7/A.23	I/O	pd ₃₎	C _T		8mA	X	X		Port 2.7	External Memory Interface: address bus
18	F2	P2.8	I/O	pu	C _T	X	4mA	X	X		Port 2.8	External interrupt INT2
19	F4	N.C.										Not connected (not bonded)
20	F5	N.C.										Not connected (not bonded)
21	F3	V _{SS}	S									Ground voltage for digital I/Os
22	F6	V ₃₃	S									Supply voltage for digital I/Os
23	G2	P2.9	I/O	pu	C _T	X	4mA	X	X		Port 2.9	External interrupt INT3
24	G3	P2.10	I/O	pu	C _T	X	4mA	X	X		Port 2.10	External interrupt INT4
25	G4	P2.11	I/O	pu	C _T	X	4mA	X	X		Port 2.11	External interrupt INT5
26	H1	P2.12	I/O	pu	C _T		4mA	X	X		Port 2.12	
27	J1	P2.13	I/O	pu	C _T		4mA	X	X		Port 2.13	
28	G5	P2.14	I/O	pu	C _T		4mA	X	X		Port 2.14	
29	K1	P2.15	I/O	pu	C _T		4mA	X	X		Port 2.15	
30	L1	JTDI	I		T _T							JTAG Data input. External pull-up required.
31	H2	JTMS	I		T _T							JTAG Mode Selection Input. External pull-up required.
32	H3	JTCK	I		C							JTAG Clock Input. External pull-up or pull-down required.
33	H4	JTDO	O				8mA		X			JTAG Data output. Note: Reset state = HiZ.
34	J2	\overline{JTRST}	I		T _T							JTAG Reset Input. External pull-up required.
35	J3	NU										Reserved, must be forced to ground.
36	K2	TEST										Reserved, must be forced to ground.
37	L3	N.C.										Not connected (not bonded)
38	L2	TEST										Reserved, must be forced to ground.
39	M1	N.C.										Not connected (not bonded)

Table 3. STR710 Pin Description

Pin n°		Pin Name	Type	Input Reset State ¹⁾	Input		Output			Active in Stdby	Main function (after reset)	Alternate function
TQFP144	BGA144				Input Level	Interrupt	Capability	OD	PP			
40	K3	V _{33IO-PLL}	S								Supply voltage for digital I/O circuitry and for PLL reference	
41	M2	N.C.									Not connected (not bonded)	
42	L4	V _{SSIO-PLL}	S								Ground voltage for digital I/O circuitry and for PLL reference	
43	M4	N.C.									Not connected (not bonded)	
44	M3	DBG RQS	I		C _T						Debug Mode request input (active high)	
45	K4	CKOUT	O				8mA		X		Clock output (f _{PCLK2}) Note: Enabled by CKDIS register in APB Bridge 2	
46	J4	CK	I		C						Reference clock input	
47	M5	P0.15/WAKE-UP	I	pu	T _T	X	4mA			X	Port 0.15 Wakeup from Standby mode input.	
48	L5	N.C.									Not connected (not bonded)	
49	K5	RTCXTI									Realtime Clock input and input of 32 kHz oscillator amplifier circuit	
50	J5	RTCXTO									Output of 32 kHz oscillator amplifier circuit	
51	M6	$\overline{\text{STDBY}}$	I/O		C _T		4mA	X		X	Input: Hardware Standby mode entry input active low. Caution: External pull-up to V ₃₃ required to select normal mode. Output: Standby mode active low output following Software Standby mode entry. Note: In Standby mode all pins are in high impedance except those marked Active in Stdby	
52	M7	RSTIN	I		C _T					X	Reset input	
53	J6	N.C.									Not connected (not bonded)	
54	L6	V _{SSBKP}			S					X	Stabilisation for low power voltage regulator.	
55	K6	V _{18BKP}			S					X	Stabilisation for low power voltage regulator. Requires external capacitors of at least 1µF between V _{18BKP} and V _{SS18BKP} . See Figure 5 . Note: If the low power voltage regulator is bypassed, this pin can be connected to an external 1.8V supply.	
56	H5	N.C.									Not connected (not bonded)	
57	H6	N.C.									Not connected (not bonded)	
58	G6	V ₁₈	S								Stabilisation for main voltage regulator. Requires external capacitors of at least 10µF + 33nF between V ₁₈ and V _{SS18} . See Figure 5 .	
59	L7	V _{SS18}	S								Stabilisation for main voltage regulator.	
60	K7	N.C.									Not connected (not bonded)	

Table 3. STR710 Pin Description

Pin n°		Pin Name	Type	Input Reset State ¹⁾	Input		Output			Active in Stdby	Main function (after reset)	Alternate function
TQFP144	BGA144				Input Level	Interrupt	Capability	OD	PP			
61	J7				D.0	I/O						
62	H7	D.1	I/O				8mA					
63	M8	D.2	I/O				8mA					
64	L8	D.3	I/O				8mA					
65	M10	D.4	I/O				8mA					
66	M11	V _{DDA}	S								Supply voltage for A/D Converter	
67	K8	V _{SSA}	S								Ground voltage for A/D Converter	
68	J8	N.C.									Not connected (not bonded)	
69	L9	N.C.									Not connected (not bonded)	
70	M9	N.C.									Not connected (not bonded)	
71	K9	P1.0/T3.OC-MPB/AIN.0	I/O	pu	C _T		4mA	X	X		Port 1.0	Timer 3: Output Compare B ADC: Analog input 0
72	L10	P1.1/T3.ICA-PA/T3.EXT-CLK/AIN.1	I/O	pu	C _T		4mA	X	X		Port 1.1	Timer 3: Input Capture A or External Clock input ADC: Analog input 1
73	M12	P1.2/T3.OCM-PA/AIN.2	I/O	pu	C _T		4mA	X	X		Port 1.2	Timer 3: Output Compare A ADC: Analog input 2
74	L11	P1.3/T3.ICAPB/AIN.3	I/O	pu	C _T		4mA	X	X		Port 1.3	Timer 3: Input Capture B ADC: Analog input 3
75	K11	P1.4/T1.ICA-PA/T1.EXT-CLK	I/O	pu	C _T		4mA	X	X		Port 1.4	Timer 1: Input Capture A Timer 1: External Clock input
76	K10	P1.5/T1.ICAPB	I/O	pu	C _T		4mA	X	X		Port 1.5	Timer 1: Input Capture B
77	J12	P1.6/T1.OC-MPB	I/O	pu	C _T		4mA	X	X		Port 1.6	Timer 1: Output Compare B
78	J11	D.5	I/O				8mA				External Memory Interface: data bus	
79	L12	D.6	I/O				8mA					
80	K12	D.7	I/O				8mA					
81	J10	D.8	I/O				8mA					
82	J9	D.9	I/O				8mA					
83	H12	V _{33IO-PLL}	S								Supply voltage for digital I/O circuitry and for PLL reference	
84	H11	V _{SSIO-PLL}	S								Ground voltage for digital I/O circuitry and for PLL reference	
85	H10	P1.7/T1.OCM-PA	I/O	pu	C _T		4mA	X	X		Port 1.7	Timer 1: Output Compare A
86	H9	P1.8	I/O	pd	C _T		4mA	X	X		Port 1.8	
87	F12	N.C.									Not connected (not bonded)	

Table 3. STR710 Pin Description

Pin n°		Pin Name	Type	Input Reset State ¹⁾	Input		Output			Active in Stdbby	Main function (after reset)	Alternate function
TQFP144	BGA144				Input Level	Interrupt	Capability	OD	PP			
88	G12	P1.11/CANRX	I/O	pu	C _T	X	4mA	X	X		Port 1.11	CAN: receive data input Note: On STR710 and STR712 only
89	H8	P1.12/CANTX	I/O	pu	C _T	X	4mA	X	X		Port 1.12	CAN: Transmit data output Note: On STR710 and STR712 only
90	G11	USBDP	I/O		C _T							USB bidirectional data (data +). Reset state = HiZ Note: On STR710 and STR711 only This pin requires an external pull-up to V ₃₃ to maintain a high level.
91	G10	USBDN	I/O		C _T							USB bidirectional data (data -). Reset state = HiZ Note: On STR710 and STR711 only.
92	G9	D.10	I/O				8mA					External Memory Interface: data bus
93	G8	D.11	I/O				8mA					
94	G7	D.12	I/O				8mA					
95	F11	D.13	I/O				8mA					
96	F10	D.14	I/O				8mA					
97	F9	D.15	I/O				8mA					
98	F8	A.0	O				8mA					External Memory Interface: address bus
99	E12	A.1	O				8mA					
100	E11	A.2	O				8mA					
101	C12	A.3	O				8mA					
102	B12	A.4	O				8mA					
103	E10	V _{SS}	S									Ground voltage for digital I/O circuitry
104	E9	V ₃₃	S									Supply voltage for digital I/O circuitry
105	D12	P1.9	I/O	pd	C _T		4mA	X	X		Port 1.9	
106	D11	P1.10/USB-CLK	I/O	pu	C/T		4mA	X	X		Port 1.10	USB: 48 MHz clock input
107	D10	P1.13/HCLK/I0.SCL	I/O	pu	C _T	X	4mA	X	X		Port 1.13	HDLC: reference clock input I2C clock
108	C11	P1.14/HRXD/I0.SDA	I/O	pu	C _T	X	4mA	X	X		Port 1.14	HDLC: Receive data input I2C serial data
109	B11	N.C.										Not connected (not bonded)
110	B10	N.C.										Not connected (not bonded)
111	C10	P1.15/HTXD	I/O	pu	C _T	X	4mA	X	X		Port 1.15	HDLC: Transmit data output
112	A9	V _{SS}	S									Ground voltage for digital I/O circuitry
113	B9	V ₃₃	S									Supply voltage for digital I/O circuitry

Table 3. STR710 Pin Description

Pin n°		Pin Name	Type	Input Reset State ¹⁾	Input		Output			Active in Stdby	Main function (after reset)	Alternate function
TQFP144	BGA144				Input Level	Interrupt	Capability	OD	PP			
114	C9	A.5	O				8mA				External Memory Interface: address bus	
115	D9	A.6	O				8mA					
116	A11	A.7	O				8mA					
117	A10	A.8	O				8mA					
118	A8	A.9	O				8mA					
119	B8	A.10	O				8mA					
120	C8	A.11	O				8mA					
121	A12	A.12	O				8mA					
122	D8	A.13	O				8mA					
123	E8	P0.0/S0.MISO/ U3.TX	I/O	pu	C _T		4mA	X	X	Port 0.0	SPI0 Master in/ Slave out data	UART3 Transmit data output
<p>Note: Programming AF function selects UART by default. BSPI must be enabled by SPI_EN bit in the BOOTCR register.</p>												
124	B7	P0.1/S0.MOSI/ U3.RX	I/O	pu	C _T	X	4mA	X	X	Port 0.1	BSPi0: Master out/Slave in data	UART3: Receive Data in- put
<p>Note: Programming AF function selects UART by default. BSPI must be enabled by SPI_EN bit in the BOOTCR register.</p>												
125	A7	P0.2/ S0.SCLK/ I1.SCL	I/O	pu	C _T	X	4mA	X	X	Port 0.2	BSPi0: Serial Clock	I2C1: Serial clock
<p>Note: Programming AF function selects I2C by default. BSPI must be enabled by SPI_EN bit in the BOOTCR register.</p>												
126	A6	P0.3/S0.SS/ I1.SDA	I/O	pu	C _T		4mA	X	X	Port 0.3	SPI0: Slave Se- lect input active low.	I2C1: Serial Data
<p>Note: Programming AF function selects I2C by default. BSPI must be enabled by SPI_EN bit in the BOOTCR register.</p>												
127	C7	P0.4/S1.MISO	I/O	pu	C _T		4mA	X	X	Port 0.4	SPI1: Master in/Slave out data	
128	D7	V _{SS18}	S							Stabilisation for main voltage regulator.		
129	E7	V ₁₈	S							Stabilisation for main voltage regulator. Requires external capacitors of at least 10µF + 33nF between V ₁₈ and V _{SS18} . See Figure 5 .		
130	F7	A.14	O				8mA				External Memory Interface: address bus	
131	B6	A.15	O				8mA					
132	C6	A.16	O				8mA					
133	D6	A.17	O				8mA					
134	E6	A.18	O				8mA					
135	A5	A.19	O				8mA					

Table 3. STR710 Pin Description

Pin n°		Pin Name	Type	Input Reset State ¹⁾	Input		Output			Active in Stdby	Main function (after reset)	Alternate function
TQFP144	BGA144				Input Level	Interrupt	Capability	OD	PP			
136	B5	$\overline{WE}.1$	O				8mA				External Memory Interface: active low MSB write enable output	
137	C5	$\overline{WE}.0$	O				8mA				External Memory Interface: active low LSB write enable output	
138	A3	V ₃₃	S								Supply voltage for digital I/Os	
139	A2	V _{SS}	S								Ground voltage for digital I/Os	
140	D5	P0.5/S1.MOSI	I/O	pu	C _T		4mA	X	X		Port 0.5	SPI1: Master out/Slave In data
141	A4	P0.6/S1.SCLK	I/O	pu	C _T	X	4mA	X	X		Port 0.6	SPI1: Serial Clock
142	B4	P0.7/S1. \overline{SS}	I/O	pu	C _T		4mA	X	X		Port 0.7	SPI1: Slave Select input active low
143	C4	P0.8/U0.RX/ U0.TX	I/O	pd	C _T	X	4mA	T		Port 0.8	UART0: Receive Data input	UART0: Transmit data output.
										Note: This pin may be used for single wire UART (half duplex) if programmed as Alternate Function Output. The pin will be tri-stated except when UART transmission is in progress		
144	B3	P0.9/U0.TX/ BOOT.0	I/O	pd	C _T		4mA	X	X		Port 0.9	Select Boot Configuration input UART0: Transmit data output

1. The Reset configuration of the I/O Ports is IPUPD (input pull-up/pull down). Refer to [Table 7, “Port Bit Configuration Table,” on page 26](#). The Port bit configuration at reset is PC0=1, PC1=1, PC2=0. The port data register bit (PD) value depends on the pu/pd column which specifies whether the pull-up or pull-down is enabled at reset

2. In reset state, these pins configured as Input PU/PD with weak pull-up enabled. They must be configured by software as Alternate Function (see [Table 7, “Port Bit Configuration Table,” on page 26](#)) to be used by the External Memory Interface.

3. In reset state, these pins configured as Input PU/PD with weak pull-down enabled to output Address 0x0000 0000 using the External Memory Interface. To access memory banks greater than 1Mbyte, they need to be configured by software as Alternate Function (see [Table 7, “Port Bit Configuration Table,” on page 26](#)).

1.4 Pin Description for 64-Pin Packages

Figure 3. STR712F/STR715F TQFP64 Pinout

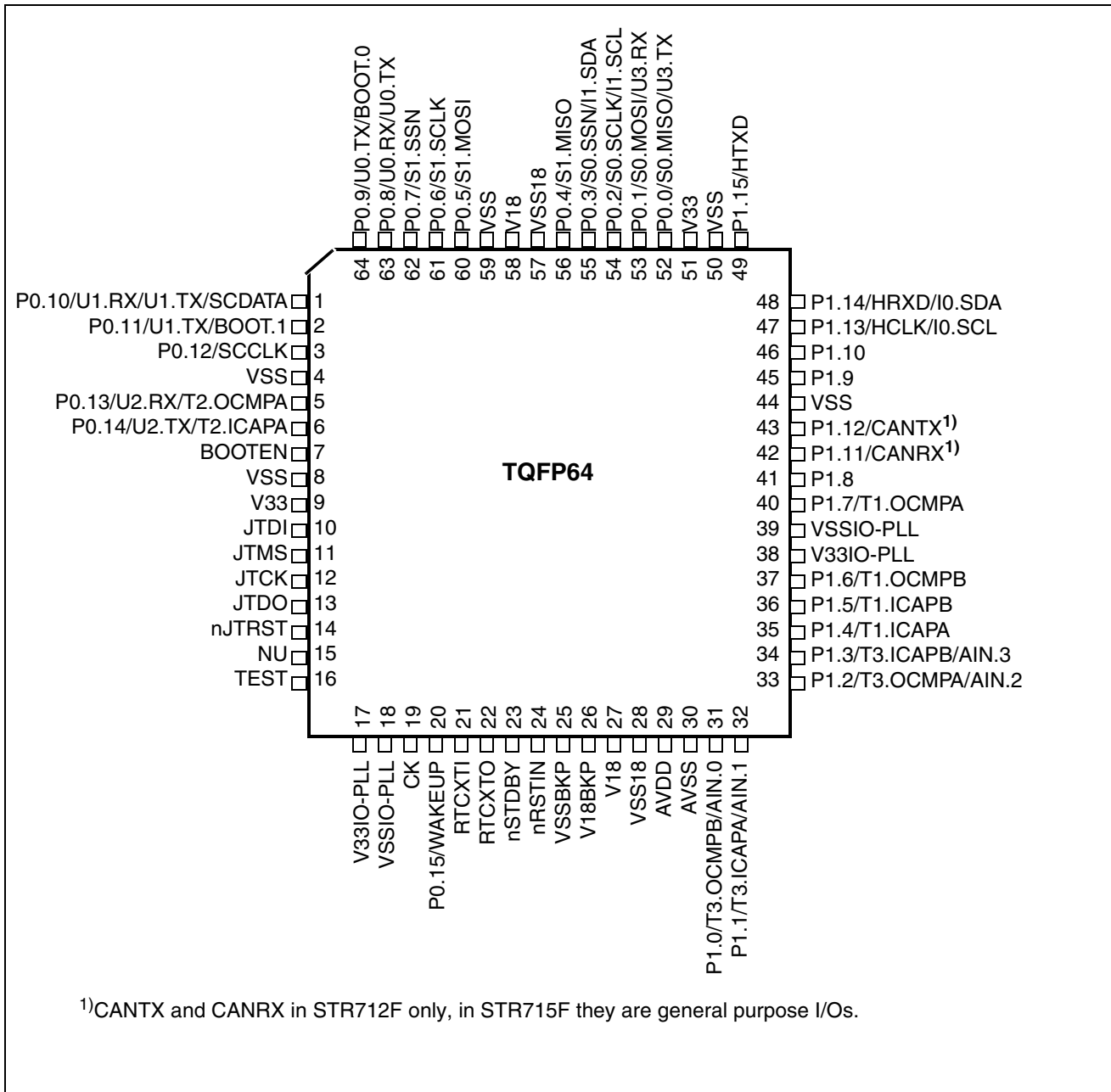


Figure 4. STR711F TQFP64 Pinout

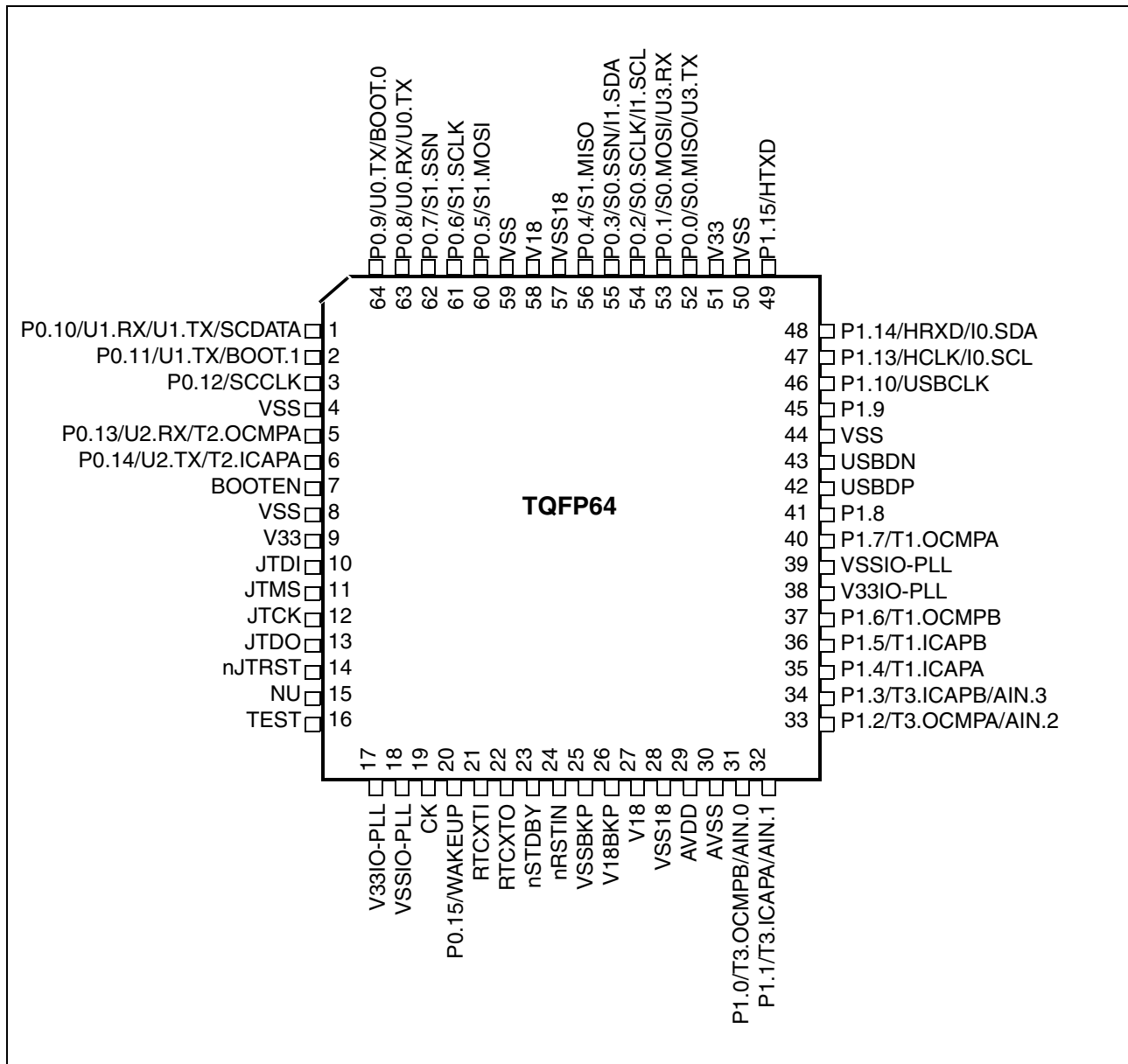


Table 4. STR711F BGA Ball Connections

	A	B	C	D	E	F	G	H
1	P0.10	P0.11	P0.12	P0.14	V33	JTCK	TEST	V33IO-PLL
2	P0.9	VSS	P0.13	VSS	JTMS	JTRSTn	P0.15	VSSIO-PLL
3	P0.5	P0.7	BOOTEN	JTDI	NU	STDBYn	RTCXTI	CK
4	VSS18	VSS	P0.8	JTDO	AVDD	V18BKP	RSTINn	RTCXTO
5	P0.2	P0.4	V18	P0.6	P1.9	P1.0	V18	VSSBKP
6	V33	P0.1	P0.3	P1.13	USBDP	VSSIO-PLL	AVSS	VSS18
7	VSS	P0.0	P1.10	USBDN	P1.7	P1.6	P1.5	P1.1
8	P1.15	P1.14	VSS	P1.8	V33IO-PLL	P1.4	P1.3	P1.2

Table 5. STR712F/715F BGA Ball Connections

	A	B	C	D	E	F	G	H
1	P0.10	P0.11	P0.12	P0.14	V33	JTCK	TEST	V33IO-PLL
2	P0.9	VSS	P0.13	VSS	JTMS	JTRSTn	P0.15	VSSIO-PLL
3	P0.5	P0.7	BOOTEN	JTDI	NU	STDBYn	RTCXTI	CK
4	VSS18	VSS	P0.8	JTDO	AVDD	V18BKP	RSTINn	RTCXTO
5	P0.2	P0.4	V18	P0.6	P1.9	P1.0	V18	VSSBKP
6	V33	P0.1	P0.3	P1.13	P1.11/ CANRX ¹⁾	VSSIO-PLL	AVSS	VSS18
7	VSS	P0.0	P1.10	P1.12/ CANTX ¹⁾	P1.7	P1.6	P1.5	P1.1
8	P1.15	P1.14	VSS	P1.8	V33IO-PLL	P1.4	P1.3	P1.2

¹⁾CANTX and CANRX in STR712F only, in STR715F they are general purpose I/Os.

Legend / Abbreviations for Table 3:

Type: I = input, O = output, S = supply, HiZ= high impedance,

In/Output level: C = CMOS $0.3V_{DD}/0.7V_{DD}$

C_T = CMOS 0.8V / 2V with input trigger

T_T = TTL $0.3V_{DD}/0.7V_{DD}$ with input trigger

C/T = Programmable levels: CMOS $0.3V_{DD}/0.7V_{DD}$ or TTL 0.8V / 2V

Port and control configuration:

- Input: pu/pd= software enabled internal pull-up or pull down
pu= in reset state, the internal 100k Ω weak pull-up is enabled.
pd = in reset state, the internal 100k Ω weak pull-down is enabled.
- Output: OD = open drain (logic level)
PP = push-pull
T = true OD, (P-Buffer and protection diode to V_{DD} not implemented), 5V tolerant.

Table 6. STR711/STR712/STR715 Pin Description

Pin n°	TQFP64	BGA64	Pin Name	Type	Input Reset State ¹⁾	Input		Output			Active in Stdby	Main function (after reset)	Alternate function	
						Input Level	interrupt	Capability	OD	PP				
1		A1	P0.10/U1.RX/ U1.TX/ SC.DATA	I/O	pd	C_T	X	4mA	T		Port 0.10	UART1: Receive Data input	UART1: Transmit data output.	
												Note: This pin may be used for Smartcard DataIn/DataOut or single wire UART (half duplex) if programmed as Alternate Function Output. The pin will be tri-stated except when UART transmission is in progress		
2		B1	P0.11/ BOOT.1/ U1.TX	I/O	pd	C_T		4mA	X	X	Port 0.11	Select Boot Configuration input	UART1: Transmit data output.	
3		C1	P0.12/SC.CLK	I/O	pd	C_T		4mA			Port 0.12	Smartcard reference clock output		
4		B2	V_{SS}	S							Ground voltage for digital I/Os			
5		C2	P0.13/U2.RX/ T2.OCMPA	I/O	pu	C_T	X	4mA	X	X	Port 0.13	UART2: Receive Data input	Timer2: Output Compare A output	
6		D1	P0.14/U2.TX/ T2.ICAPA	I/O	pu	C_T		4mA	X	X	Port 0.14	UART2: Transmit data output	Timer2: Input Capture A input	
7		C3	BOOTEN	I		C_T					Boot control input. Enables sampling of BOOT[1:0] pins			
8		D2	V_{SS}	S							Ground voltage for digital I/Os			
9		E1	V_{33}	S							Supply voltage for digital I/Os			
10		D3	JTDI	I		T_T					JTAG Data input. External pull-up required.			
11		E2	JTMS	I		T_T					JTAG Mode Selection Input. External pull-up required.			
12		F1	JTCK	I		C					JTAG Clock Input. External pull-up or pull-down required.			
13		D4	JTDO	O				8mA		X	JTAG Data output. Note: Reset state = HiZ.			
14		F2	\overline{JTRST}	I		T_T					JTAG Reset Input. External pull-up required.			
15		E3	NU								Reserved, must be forced to ground.			

Table 6. STR711/STR712/STR715 Pin Description

Pin n°		Pin Name	Type	Input Reset State ¹⁾	Input		Output			Active in Stdby	Main function (after reset)	Alternate function
TQFP64	BGA64				Input Level	interrupt	Capability	OD	PP			
16	G1	TEST									Reserved, must be forced to ground.	
17	H1	V _{33IO-PLL}	S								Supply voltage for digital I/O circuitry and for PLL reference	
18	H2	V _{SSIO-PLL}	S								Ground voltage for digital I/O circuitry and for PLL reference	
19	H3	CK	I		C						Reference clock input	
20	G2	P0.15/WAKE-UP	I	pu	T _T	X	4mA			X	Port 0.15 Wakeup from Standby mode input.	
21	G3	RTCXTI									Realtime Clock input and input of 32 kHz oscillator amplifier circuit	
22	H4	RTCXTO									Output of 32 kHz oscillator amplifier circuit	
23	F3	$\overline{\text{STDBY}}$	I/O		C _T		4mA	X		X	Input: Hardware Standby mode entry input active low. Caution: External pull-up to V ₃₃ required to select normal mode. Output: Standby mode active low output following Software Standby mode entry. Note: In Standby mode all pins are in high impedance except those marked Active in Stdby	
24	G4	$\overline{\text{RSTIN}}$	I		C _T					X	Reset input	
25	H5	V _{SSBKP}			S					X	Stabilisation for low power voltage regulator.	
26	F4	V _{18BKP}			S					X	Stabilisation for low power voltage regulator. Requires external capacitors of at least 1µF between V _{18BKP} and V _{SS18BKP} . See Figure 5. Note: If the low power voltage regulator is bypassed, this pin can be connected to an external 1.8V supply.	
27	G5	V ₁₈	S								Stabilisation for main voltage regulator. Requires external capacitors of at least 10µF + 33nF between V ₁₈ and V _{SS18} . See Figure 5.	
28	H6	V _{SS18}	S								Stabilisation for main voltage regulator.	
29	E4	V _{DDA}	S								Supply voltage for A/D Converter	
30	G6	V _{SSA}	S								Ground voltage for A/D Converter	
31	F5	P1.0/T3.OC-MPB/AIN.0	I/O	pu	C _T		4mA	X	X		Port 1.0 Timer 3: Output Compare B ADC: Analog input 0	
32	H7	P1.1/T3.ICA-PA/T3.EXT-CLK/AIN.1	I/O	pu	C _T		4mA	X	X		Port 1.1 Timer 3: Input Capture A or External Clock input ADC: Analog input 1	
33	H8	P1.2/T3.OCM-PA/AIN.2	I/O	pu	C _T		4mA	X	X		Port 1.2 Timer 3: Output Compare A ADC: Analog input 2	
34	G8	P1.3/T3.ICAPB/AIN.3	I/O	pu	C _T		4mA	X	X		Port 1.3 Timer 3: Input Capture B ADC: Analog input 3	

Table 6. STR711/STR712/STR715 Pin Description

Pin n°		Pin Name	Type	Input Reset State ¹⁾	Input		Output			Active in Stdbby	Main function (after reset)	Alternate function	
TQFP64	BGA64				Input Level	interrupt	Capability	OD	PP				
35	F8	P1.4/T1.ICA-PA/T1.EXT-CLK	I/O	pu	C _T			4mA	X	X	Port 1.4	Timer 1: Input Capture A	Timer 1: External Clock input
36	G7	P1.5/T1.ICAPB	I/O	pu	C _T			4mA	X	X	Port 1.5	Timer 1: Input Capture B	
37	F7	P1.6/T1.OC-MPB	I/O	pu	C _T			4mA	X	X	Port 1.6	Timer 1: Output Compare B	
38	E8	V _{33IO-PLL}	S									Supply voltage for digital I/O circuitry and for PLL reference	
39	F6	V _{SSIO-PLL}	S									Ground voltage for digital I/O circuitry and for PLL reference	
40	E7	P1.7/T1.OCM-PA	I/O	pu	C _T			4mA	X	X	Port 1.7	Timer 1: Output Compare A	
41	D8	P1.8	I/O	pd	C _T			4mA	X	X	Port 1.8		
42	E6	P1.11/CANRX	I/O	pu	C _T	X		4mA	X	X	Port 1.11	CAN: receive data input Note: On STR710 and STR712 only	
43	D7	P1.12/CANTX	I/O	pu	C _T	X		4mA	X	X	Port 1.12	CAN: Transmit data output Note: On STR710 and STR712 only	
42	E6	USBDP	I/O		C _T						USB bidirectional data (data +). Reset state = HiZ Note: On STR710 and STR711 only This pin requires an external pull-up to V ₃₃ to maintain a high level.		
43	D7	USBDN	I/O		C _T						USB bidirectional data (data -). Reset state = HiZ Note: On STR710 and STR711 only.		
44	C8	V _{SS}	S								Ground voltage for digital I/O circuitry		
45	E5	P1.9	I/O	pd	C _T			4mA	X	X	Port 1.9		
46	C7	P1.10/USB-CLK	I/O	pu	C/T			4mA	X	X	Port 1.10	USB: 48 MHz clock input	
47	D6	P1.13/HCLK/I0.SCL	I/O	pu	C _T	X		4mA	X	X	Port 1.13	HDLC: reference clock input	I2C clock
48	B8	P1.14/HRXD/I0.SDA	I/O	pu	C _T	X		4mA	X	X	Port 1.14	HDLC: Receive data input	I2C serial data
49	A8	P1.15/HTXD	I/O	pu	C _T	X		4mA	X	X	Port 1.15	HDLC: Transmit data output	
50	A7	V _{SS}	S								Ground voltage for digital I/O circuitry		
51	A6	V ₃₃	S								Supply voltage for digital I/O circuitry		
52	B7	P0.0/S0.MISO/U3.TX	I/O	pu	C _T			4mA	X	X	Port 0.0	SPI0 Master in/ Slave out data	UART3 Transmit data output
											Note: Programming AF function selects UART by default. BSPI must be enabled by SPI_EN bit in the BOOTCR register.		

Table 6. STR711/STR712/STR715 Pin Description

Pin n°		Pin Name	Type	Input Reset State ¹⁾	Input		Output			Active in Stdby	Main function (after reset)	Alternate function	
TQFP64	BGA64				Input Level	interrupt	Capability	OD	PP				
53	B6	P0.1/S0.MOSI/ U3.RX	I/O	pu	C _T	X	4mA	X	X		Port 0.1	BSPi0: Master out/Slave in data UART3: Receive Data input Note: Programming AF function selects UART by default. BSPi must be enabled by SPI_EN bit in the BOOTCR register.	
54	A5	P0.2/ S0.SCLK/ I1.SCL	I/O	pu	C _T	X	4mA	X	X		Port 0.2	BSPi0: Serial Clock I2C1: Serial clock Note: Programming AF function selects I2C by default. BSPi must be enabled by SPI_EN bit in the BOOTCR register.	
55	C6	P0.3/S0.SS/ I1.SDA	I/O	pu	C _T		4mA	X	X		Port 0.3	SPI0: Slave Select input active low. I2C1: Serial Data Note: Programming AF function selects I2C by default. BSPi must be enabled by SPI_EN bit in the BOOTCR register.	
56	B5	P0.4/S1.MISO	I/O	pu	C _T		4mA	X	X		Port 0.4	SPI1: Master in/Slave out data	
57	A4	V _{SS18}	S									Stabilisation for main voltage regulator.	
58	C5	V ₁₈	S									Stabilisation for main voltage regulator. Requires external capacitors of at least 10µF + 33nF between V ₁₈ and V _{SS18} . See Figure 5 .	
59	B4	V _{SS}	S									Ground voltage for digital I/Os	
60	A3	P0.5/S1.MOSI	I/O	pu	C _T		4mA	X	X		Port 0.5	SPI1: Master out/Slave In data	
61	D5	P0.6/S1.SCLK	I/O	pu	C _T	X	4mA	X	X		Port 0.6	SPI1: Serial Clock	
62	B3	P0.7/S1.SS	I/O	pu	C _T		4mA	X	X		Port 0.7	SPI1: Slave Select input active low	
63	C4	P0.8/U0.RX/ U0.TX	I/O	pd	C _T	X	4mA	T			Port 0.8	UART0: Receive Data input UART0: Transmit data output. Note: This pin may be used for single wire UART (half duplex) if programmed as Alternate Function Output. The pin will be tri-stated except when UART transmission is in progress	
64	A2	P0.9/U0.TX/ BOOT.0	I/O	pd	C _T		4mA	X	X		Port 0.9	Select Boot Configuration input UART0: Transmit data output	

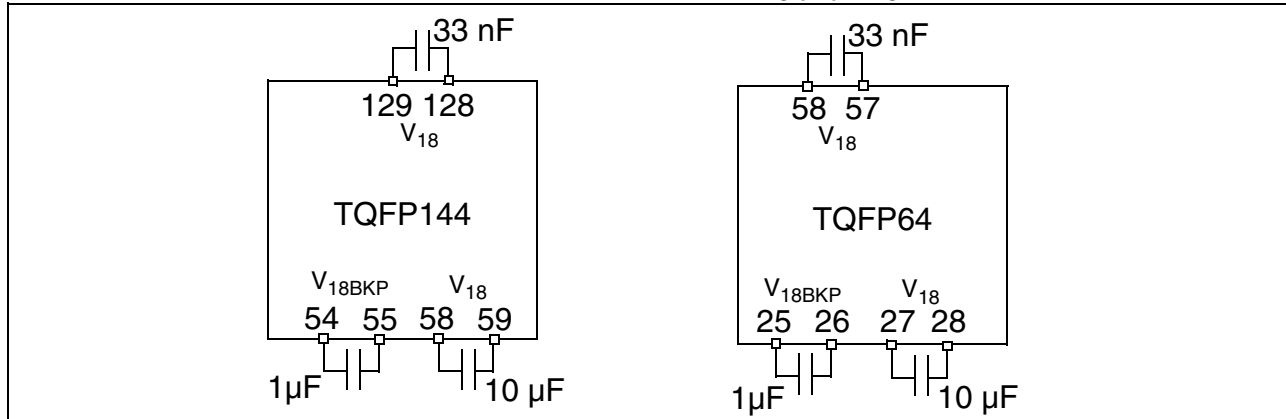
1. The Reset configuration of the I/O Ports is IPUPD (input pull-up/pull down). Refer to [Table 7, “Port Bit Configuration Table,” on page 26](#). The Port bit configuration at reset is PC0=1, PC1=1, PC2=0. The port data register bit (PD) value depends on the pu/pd column which specifies whether the pull-up or pull-down is enabled at reset

2. In reset state, these pins configured as Input PU/PD with weak pull-up enabled. They must be configured by software as Alternate Function (see [Table 7, “Port Bit Configuration Table,” on page 26](#)) to be used by the External Memory Interface.

3. In reset state, these pins configured as Input PU/PD with weak pull-down enabled to output Address 0x0000 0000 using the External Memory Interface. To access memory banks greater than 1Mbyte, they need to be configured by software as Alternate Function (see [Table 7, “Port Bit Configuration Table,”](#) on page 26).

1.5 External Connections

Figure 5. Recommended External Connection of V₁₈ and V_{18BKP} pins



1.6 I/O Port Configuration

Table 7. Port Bit Configuration Table

Port Configuration Registers (bit)	Values							
	PC0(n)	0	1	0	1	0	1	0
PC1(n)	0	0	1	1	0	0	1	1
PC2(n)	0	0	0	0	1	1	1	1
Configuration	HiZ/AIN	IN	IN	IPUPD	OUT	OUT	AF	AF
Output	TRI	TRI	TRI	WP	OD	PP	OD	PP
Input	AIN	TTL	CMOS	CMOS	N.A.	N.A.	CMOS	CMOS

Notes:

- AF: Alternate Function
- AIN: Analog Input
- IPUPD: Input Pull Up /Pull Down
- CMOS: CMOS Input levels
- HiZ: High impedance
- IN: Input
- N.A. not applicable. In Output mode, a read access to the port gets the output latch value).
- OD: Open Drain
- OUT: Output
- PP: Push-Pull
- TRI: Tristate
- TTL: TTL Input levels
- WP: Weak Push-Pull

1.7 Memory Mapping Figure 6. Memory Map

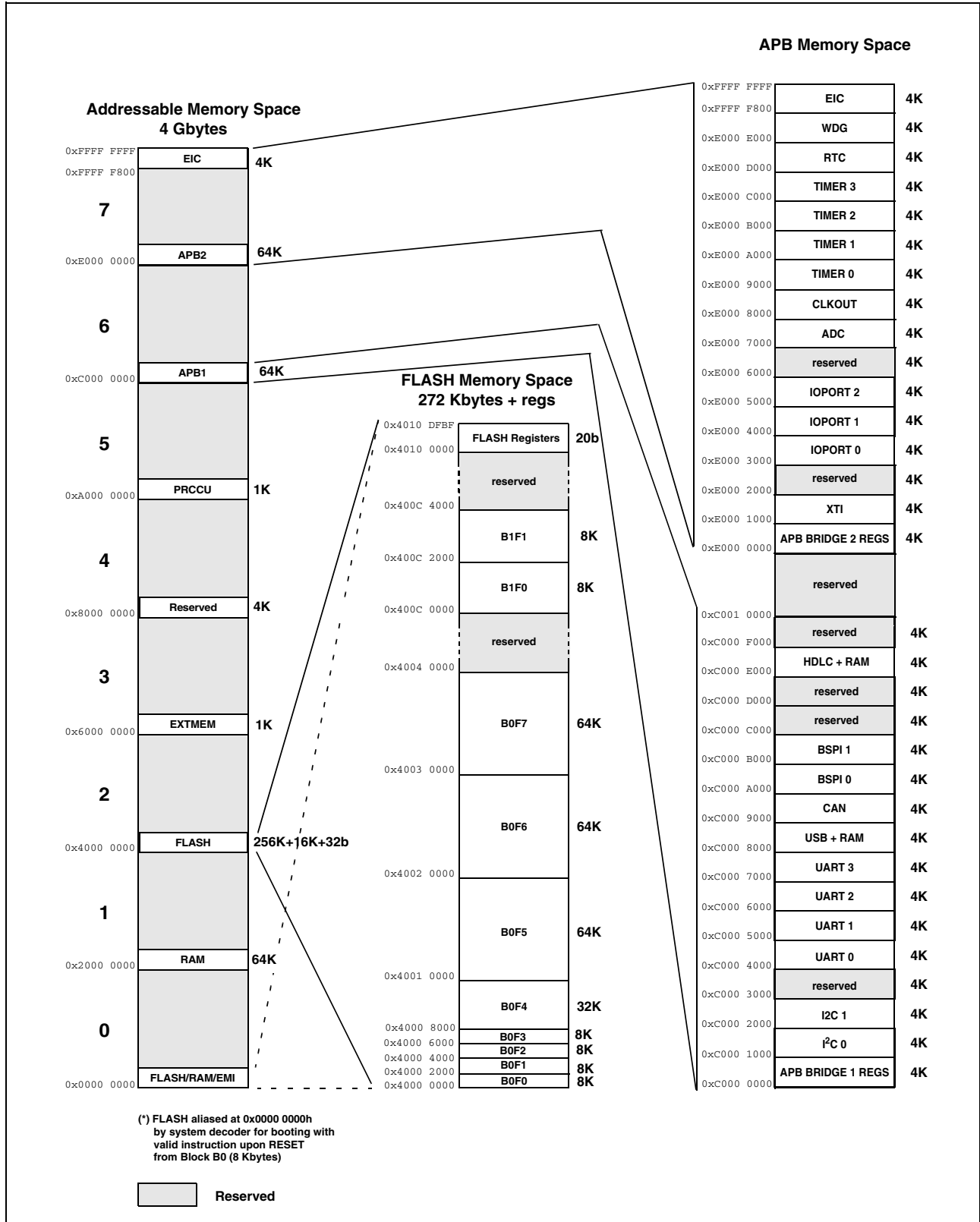


Figure 7. Mapping of Flash Memory Versions

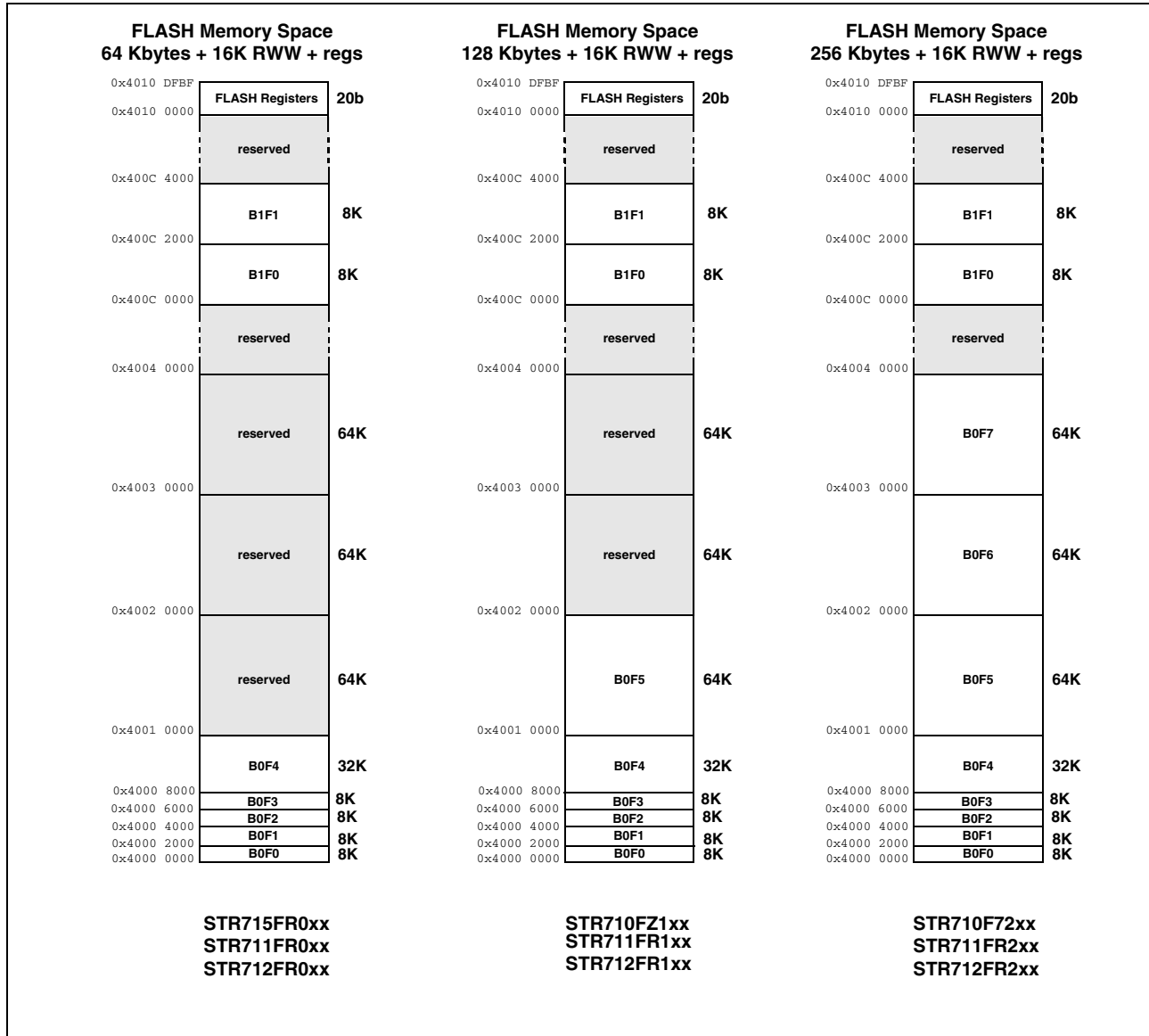
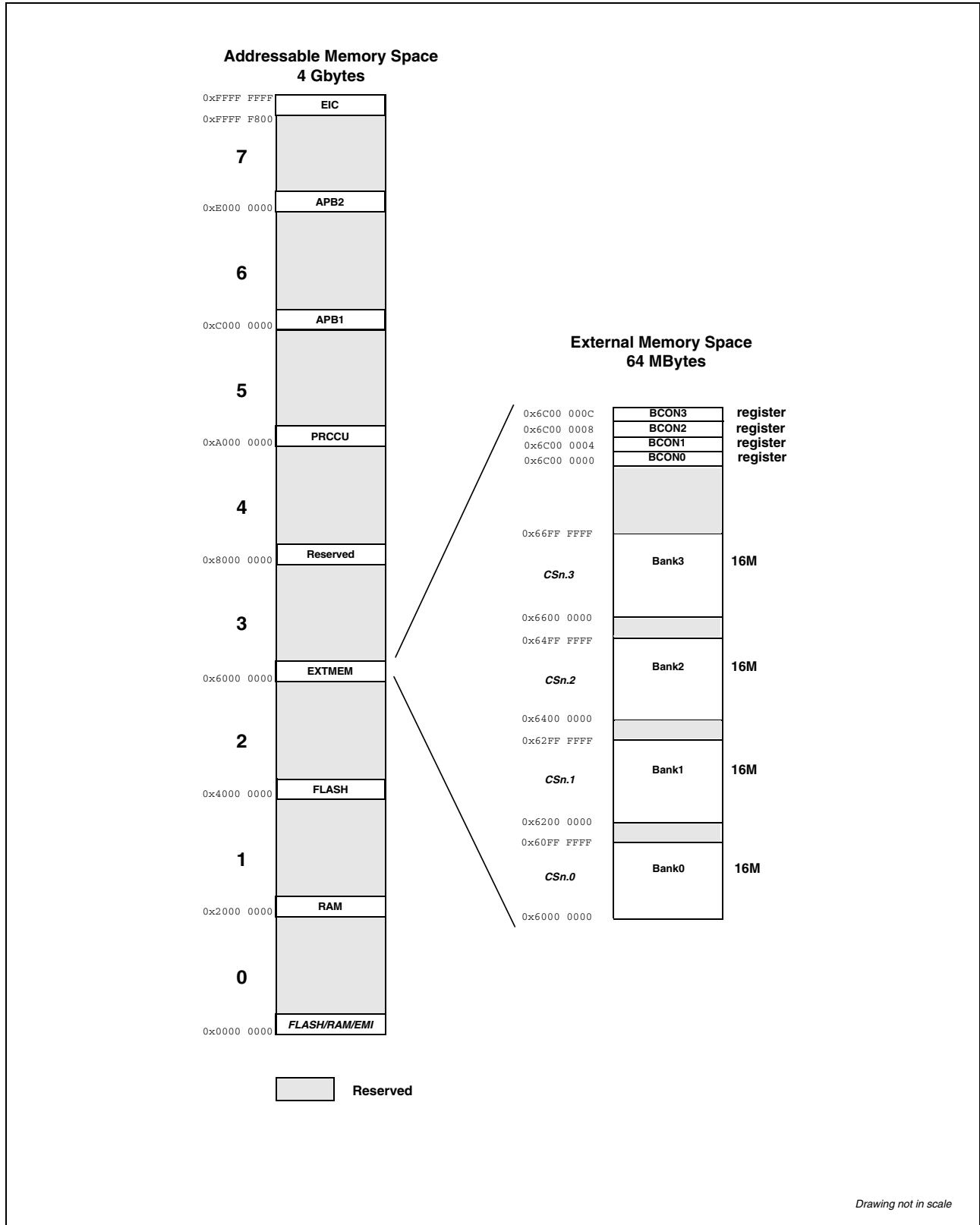


Table 8. RAM Memory Mapping

Part Number	RAM Size	Start Address	End Address
STR715FR0xx STR711FR0xx STR712FR0xx	16 Kbytes	0x2000 0000	0x2000 3FFF
STR710FZ1xx STR711FR1xx STR712FR1xx	32 Kbytes	0x2000 0000	0x2000 7FFF
STR710F72xx STR711FR2xx STR712FR2xx	64 Kbytes	0x2000 0000	0x2000 FFFF

Figure 8. External Memory Map



2 ELECTRICAL CHARACTERISTICS

2.1 Absolute Maximum Ratings

This product contains devices to protect the inputs against damage due to high static voltages. However, it is advisable to take normal precautions to avoid application of any voltage higher than the specified maximum rated voltages.

For proper operation, it is recommended that V_{IN} and V_O be higher than V_{SS} and lower than V_{33} . Reliability is enhanced if unused inputs are connected to an appropriate logic voltage level (V_{33} or V_{SS}).

Table 9. Absolute Maximum Ratings.

Symbol	Parameter	Value		Unit
		Min	Max	
V_{33}	Voltage on V_{33} with respect to ground (V_{SS})	-0.3	+4.0	V
$V_{33IO-PLL}$	Voltage on $V_{33IO-PLL}$ with respect to ground (V_{SS})	-0.3	+4.0	V
V_{18}	Voltage on V_{18} with respect to ground (V_{SS})	-0.3	+2.0	V
V_{18BKP}	Voltage on V_{18BKP} with respect to ground (V_{SS})	-0.3	+2.0	V
AV_{DD}	Voltage on AV_{DD} pin with respect to ground (V_{SS})	-0.3	+4.0	V
AV_{SS}	Voltage on AV_{SS} with respect to ground (V_{SS})	-0.1	$V_{33} + 0.1$	V
V_{IN}	Voltage on true open drain pin (P0.10) with respect to ground (V_{SS})	-0.3	+5.5	V
	Voltage on any other pin with respect to ground (V_{SS})	-0.3	+4.0	
I_{OV}	Input current on any pin during overload condition	-10	+10	mA
I_{TDV}	Absolute sum of all input currents during overload condition		200	mA
T_{ST}	Storage Temperature	-55	+150	°C
ESD	ESD Susceptibility (Human Body Model)	2000		V

Note Stresses exceeding above listed recommended “Absolute Maximum Ratings” may cause permanent damage to the device. This is a stress rating only and functional operation of the device at these or any other conditions above those indicated in the operational sections of this specification is not implied. Exposure to absolute maximum rating conditions for extended periods may affect device reliability. During overload conditions ($V_{IN} > V_{33}$ or $V_{IN} < V_{SS}$) the voltage on pins with respect to ground (V_{SS}) must not exceed the recommended values.

2.2 Operating Conditions

Symbol	Parameter	Value		Unit
		Min	Max	
V_{33}	Digital Supply Voltage for I/O circuitry	3.0	3.6	V
$V_{33IO-PLL}$	Digital Supply Voltage for I/O circuitry and for PLL reference	3.0	3.6	V
V_{18BKP}	External Supply Voltage for Backup block (Voltage Regulator off)	1.4	1.8	V
AV_{DD}	Analog Supply Voltage for the A/D converter	V_{33}	V_{33}	V
T_A	Ambient temperature under bias	-40	+85	°C
T_J	Junction temperature under bias	-40	+105	°C

Note RAM data retention is guaranteed with V_{33} not below 2.7 Volt, with the device in low power mode (Stop or Wait for Interrupt).

2.3 LVD Electrical Characteristics

$V_{33} = 3.3 \pm 10\%$, $T_A = -40 / 85$ °C unless otherwise specified.

Table 10. LVD Electrical Characteristics

Symbol	Parameter	Test Conditions	Value			Unit
			Min	Typ	Max	
V_{IT}	LVD Threshold	Main and LP LVDs		1.3	1.45	V

2.4 DC Electrical Characteristics
 $V_{33} = 3.3V \pm 10\%$, $T_A = -40 / 85\text{ }^\circ\text{C}$ unless otherwise specified.

Table 11. DC Electrical Characteristics

Symbol	Parameter	Comment	Value			Unit
			Min	Typ	Max	
V_{IH}	Input High Level CMOS	With or w/o hysteresis	$0.7V_{33}$			V
	Input High Level	P0.15 (WAKEUP) only	1.8			V
V_{IL}	Input Low Level CMOS	With or w/o hysteresis			$0.3V_{33}$	V
	Input Low Level	P0.15 (WAKEUP) only			0.7	V
V_{HYS}	Input Hysteresis CMOS Schmitt Trigger		0.4	0.8	1.2	V
	Input Hysteresis Schmitt Trigger	P0.15 (WAKEUP) only	0.3	0.5		V
V_{OH}	Output High Level High Current Pins	Push Pull, $I_{OH} = 8\text{mA}$	$V_{33} - 0.8$			V
	Output High Level Standard Current Pins	Push Pull, $I_{OH} = 4\text{mA}$	$V_{33} - 0.8$			V
V_{OL}	Output Low Level High Current Pins	Push Pull, $I_{OL} = 8\text{mA}$			0.4	V
	Output Low Level Standard Current Pins	Push Pull, $I_{OL} = 4\text{mA}$			0.4	V
R_{WPU}	Weak Pull-Up Resistor	Measured at $0.5V_{33}$		100		k Ω
R_{WPD}	Weak Pull-Down Resistor	Measured at $0.5V_{33}$		100		k Ω

2.5 AC Electrical Characteristics

$V_{33} = 3.3V \pm 10\%$, $T_A = 27\text{ }^\circ\text{C}$ unless otherwise specified.

Table 12. Power Consumption

Symbol	Parameter	Conditions	Value			Unit
			Min	Typ	Max	
I_{DDRUN}	RUN Mode current	MCLK=50 MHz		See Table 13	100	mA
I_{DDWFI}	WFI Mode current	1 MHz System Clock		3	6	mA
$I_{DDL P}$	LPWFI Mode current	32 kHz System Clock		200		μA
I_{DDSTP}	STOP Mode current	Main VReg off, Flash in Power-Down		100		μA
I_{DDSB1}	STANDBY Mode current	LP VReg and 32kHz Osc on		15	30	μA
I_{DDSB0}	STANDBY Mode current	LP VReg, LVD, 32kHz Osc bypassed		3	10	μA

Note I_{DDRUN} is the power consumption in applications exploiting the full performances of the core (running at the maximum frequency).

Note I_{DDWFI} is the power consumption with PLLs off, VReg and Flash on. This guarantees the minimum interrupt response time.

Note $I_{DDL P}$ is the power consumption with PLLs, Main VReg and Flash off.

Table 13. I_{DDRUN} Typical Data measurements, $T_A=25^\circ\text{C}$

Frequency	All Peripheral clocks enabled ¹⁾ (Reset Configuration)		All Peripheral clocks disabled ¹⁾		Unit
	RAM Execution	Flash Execution	RAM Execution	Flash Execution	
MCLK=1 MHz PCLK=1 MHz	15	15	11	11	mA
MCLK=8 MHz PCLK=8 MHz	19	20	15	17	
MCLK=16 MHz PCLK=8 MHz	23	27	19	23	
MCLK=48 MHz PCLK=6 MHz	43	53	40	50	
MCLK=64 MHz PCLK=8 MHz	53	N/A	48	N/A	

¹⁾Refer to APBn_CKDIS register description.

$V_{33} = 3.3V \pm 10\%$, $T_A = -40 / 85\text{ }^\circ\text{C}$ unless otherwise specified.

Table 14. AC Electrical Characteristics

Symbol	Parameter	Conditions	Value			Unit
			Min	Typ	Max	
f _{MCLK}	CPU Frequency	Executing from RAM or external memory			66	MHz
		Executing from Flash			50	
		Executing from Flash with RWW			45	
		Burst Mode disabled (FLASHLP bit =1)			33	
f _{PCLK}	Peripheral Clock for APB			33		
f _{CK}	Clock input pin			16		

2.6 nRSTIN Input Filter Characteristics

$V_{33} = 3.3V \pm 10\%$, $T_A = -40 / 85\text{ }^\circ\text{C}$ unless otherwise specified.

Table 15. nRSTIN input Filter Characteristics

Symbol	Parameter	Conditions	Value			Unit
			Min	Typ	Max	
t _{FR}	nRSTIN Input Filtered Pulse				500	ns
t _{NFR}	nRSTIN Input Not Filtered Pulse		1.2			μs

2.7 Oscillator Electrical Characteristics

$V_{33} = 3.3 \pm 10\%$, $T_A = -40 / 85 \text{ }^\circ\text{C}$ unless otherwise specified.

Figure 9. Crystal Oscillator and Resonator

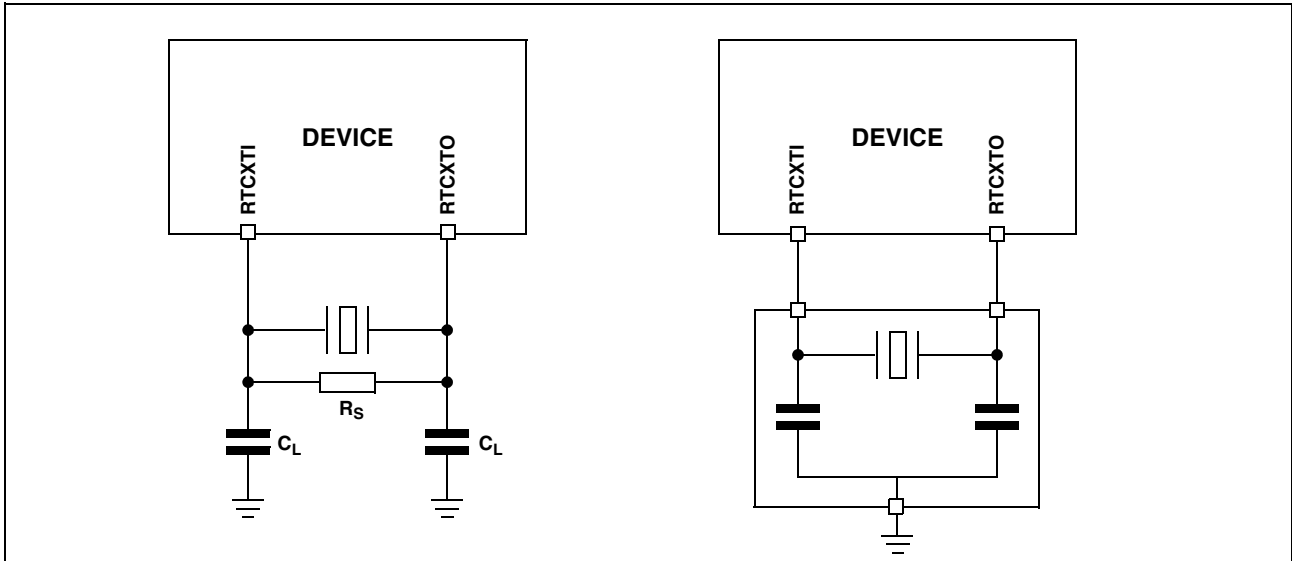


Table 16. Oscillator Electrical Characteristics

Symbol	Parameter	Test Conditions	Value			Unit
			Min	Typ	Max	
g_m	Oscillator Transconductance			8		$\mu\text{A/V}$
t_{STUP}	Oscillator Start-up Time	Stable V_{33}			2.5	s

2.8 PLL Electrical Characteristics

$V_{33} = 3.3 \pm 10\%$, $V_{33\text{IOPLL}} = 3.3 \pm 10\%$, $T_A = -40 / 85 \text{ }^\circ\text{C}$ unless otherwise specified.

Table 17. PLL1 Electrical Characteristics

Symbol	Parameter	Test Conditions	Value			Unit
			Min	Typ	Max	
f_{PLLCLK1}	PLL output clock	$f_{\text{PLL1}} \times 24$			165	MHz
f_{PLL1}	PLL input clock	FREF_RANGE = 0	1.5		3.0	MHz
		FREF_RANGE = 1 MX[1:0]='00' or '01'	3.0		8.25	MHz
		FREF_RANGE = 1 MX[1:0]='10' or '11'	3.0		6	MHz
	PLL input clock duty cycle		25		75	%

STR71xF - ELECTRICAL CHARACTERISTICS

Symbol	Parameter	Test Conditions	Value			Unit
			Min	Typ	Max	
f _{FREE1}	PLL free running frequency	FREF_RANGE = 0 MX[1:0]='01' or '11'		1		MHz
		FREF_RANGE = 0 MX[1:0]='00' or '10'		2		MHz
		FREF_RANGE = 1 MX[1:0]='01' or '11'		2		MHz
		FREF_RANGE = 1 MX[1:0]='00' or '10'		4		MHz
t _{LOCK1}	PLL lock time	FREF_RANGE = 0 Stable Input Clock Stable V _{33IOPLL} , V ₁₈			300	μs
		FREF_RANGE = 1 Stable Input Clock Stable V _{33IOPLL} , V ₁₈			600	μs
Δt _{JITTER1}	PLL jitter (peak to peak)	t _{PLL} = 4 MHz, MX[1:0]='11' Global Output division = 32 (Output Clock = 2 MHz)		0.7	2	ns

Table 18. PLL2 Electrical Characteristics

Symbol	Parameter	Test Conditions	Value			Unit
			Min	Typ	Max	
f _{PLLCLK2}	PLL output clock	f _{PLL} x 28			140	MHz
f _{PLL2}	PLL input clock	FREF_RANGE = 0	1.5		3.0	MHz
		FREF_RANGE = 1	3.0		5	MHz
t _{LOCK2}	PLL lock time	FREF_RANGE = 0 Stable Input Clock Stable V _{33IOPLL} , V ₁₈			300	μs
		FREF_RANGE = 1 Stable Input Clock Stable V _{33IOPLL} , V ₁₈			600	μs
Δt _{JITTER2}	PLL jitter (peak to peak)	t _{PLL} = 4 MHz, MX[1:0]='11' Global Output division = 32 (Output Clock = 2 MHz)		0.7	2	ns

2.9 Flash Electrical characteristics

$V_{33} = 3.3 \pm 10\%$, $T_A = -40 / 85\text{ }^\circ\text{C}$ unless otherwise specified.

Table 19. Flash Program/Erase Characteristics 1

Symbol	Parameter	Test Conditions	Value			Unit
			Typ	Max(C_0)	Max(C_{max})	
t_{PW}	Word Program		40			μs
t_{PDW}	Double Word Program		60			μs
t_{PB0}	Bank 0 Program (256K)	Double Word Program	1.6	2.1	4.3	s
t_{PB1}	Bank 1 Program (16K)	Double Word Program	130	170	300	ms
t_{ES}	Sector Erase (64K)	Not preprogrammed	2.3	4.0	4.9	s
		Preprogrammed	1.9	3.3	4.1	
t_{ES}	Sector Erase (8K)	Not preprogrammed	0.7	1.1	1.36	s
		Preprogrammed	0.6	1.0	1.26	
t_{ES}	Bank 0 Erase (256K)	Not preprogrammed	8.0	13.7	17.2	s
		Preprogrammed	6.6	11.2	14.0	
t_{ES}	Bank 1 Erase (16K)	Not preprogrammed	0.9	1.5	1.87	s
		Preprogrammed	0.8	1.3	1.66	
t_{RPD}	Recovery from Power-Down			20	μs	
t_{PSL}	Program Suspend Latency			10	μs	
t_{ESL}	Erase Suspend Latency			300	μs	

Note C_0 : $T_A = 85\text{ }^\circ\text{C}$ after 0 cycles

C_{max} : $T_A = 85\text{ }^\circ\text{C}$ after max number of cycles

Table 20. Flash Program/Erase Characteristics 2

Symbol	Parameter	Conditions	Value			Unit
			Min	Typ	Max	
	Endurance		10			kcycles
	Endurance (Bank1 sectors)		100			kcycles
	Data Retention		20			Years
t_{ESR}	Erase Suspend Rate	Min time from Erase Resume to next Erase Suspend	20			ms

2.10 External Memory Bus Timing

$V_{33} = 3.3 \pm 10\%$, $T_A = -40 / 85 \text{ }^\circ\text{C}$ unless otherwise specified.

The tables below use a variable which is derived from the EMI_BCONn registers (described in the STR71x Reference Manual) and represents the special characteristics of the programmed memory cycle.

Symbol	Parameter	Value
t_{MCLK}	CPU clock period	$1 / f_{MCLK}$
t_C	Memory cycle time wait states	$t_{MCLK} \times (1 + [C_LENGTH])$

Table 21. EMI Read Operation

Symbol	Parameter	Test Conditions	Value			Unit
			Min	Typ	Max	
t_{RCR}	Read to CSn Removal Time			t_{MCLK}		ns
t_{RP}	Read Pulse Time			t_C		ns
t_{RDS}	Read Data Setup Time			3		ns
t_{RDH}	Read Data Hold Time			3		ns
t_{RAS}	Read Address Setup Time			$1.3 \cdot t_{MCLK}$		ns
t_{RAH}	Read Address Hold Time			3		ns
t_{RAT}	Read Address Turnaround Time			3		ns
t_{RRT}	RDn Turnaround Time			t_{MCLK}		ns

See [Figure 10](#), [Figure 11](#), [Figure 12](#) and [Figure 13](#) for related timing diagrams.

Table 22. EMI Write Operation

Symbol	Parameter	Test Conditions	Value			Unit
			Min	Typ	Max	
t_{WCR}	WEn to CSn Removal Time			t_{MCLK}		ns
t_{WP}	Write Pulse Time			t_C		ns
t_{WDS}	Write Data Setup Time			3		ns
t_{WDH}	Write Data Hold Time			3		ns
t_{WAS}	Write Address Setup Time			$1.3 \cdot t_{MCLK}$		ns
t_{WAH}	Write Address Hold Time			3		ns
t_{WAT}	Write Address Turnaround Time			3		ns
t_{WWT}	WEn Turnaround Time			t_{MCLK}		ns

See [Figure 14](#), [Figure 15](#), [Figure 16](#) and [Figure 17](#) for related timing diagrams.

Figure 10. Read Cycle Timing: 16-bit READ on 16-bit Memory

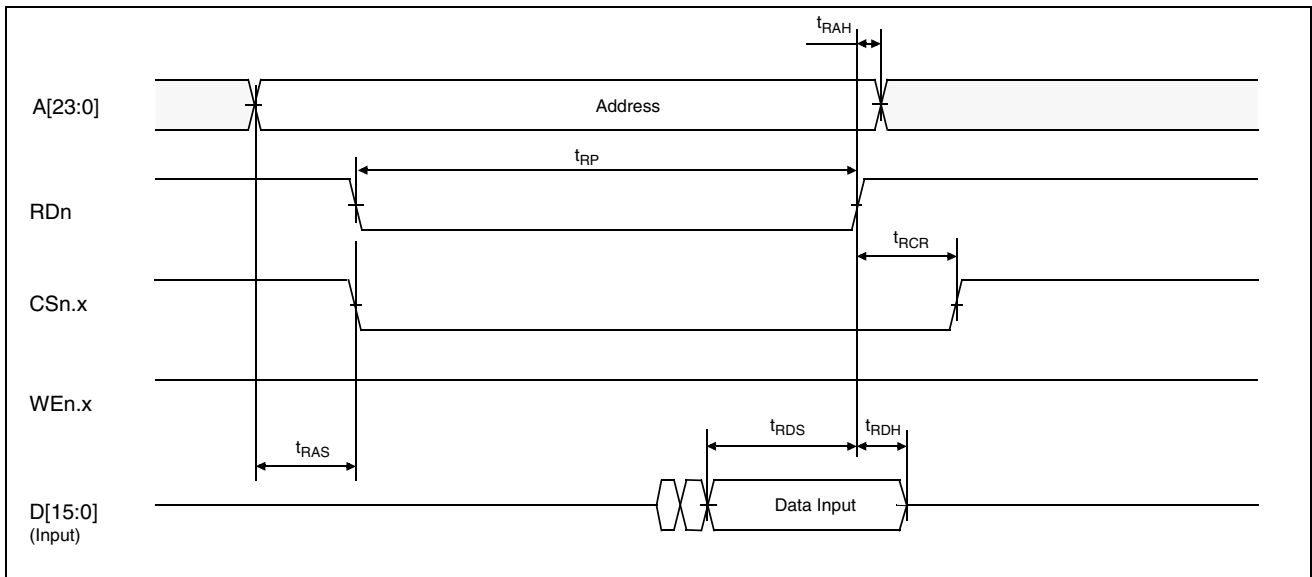
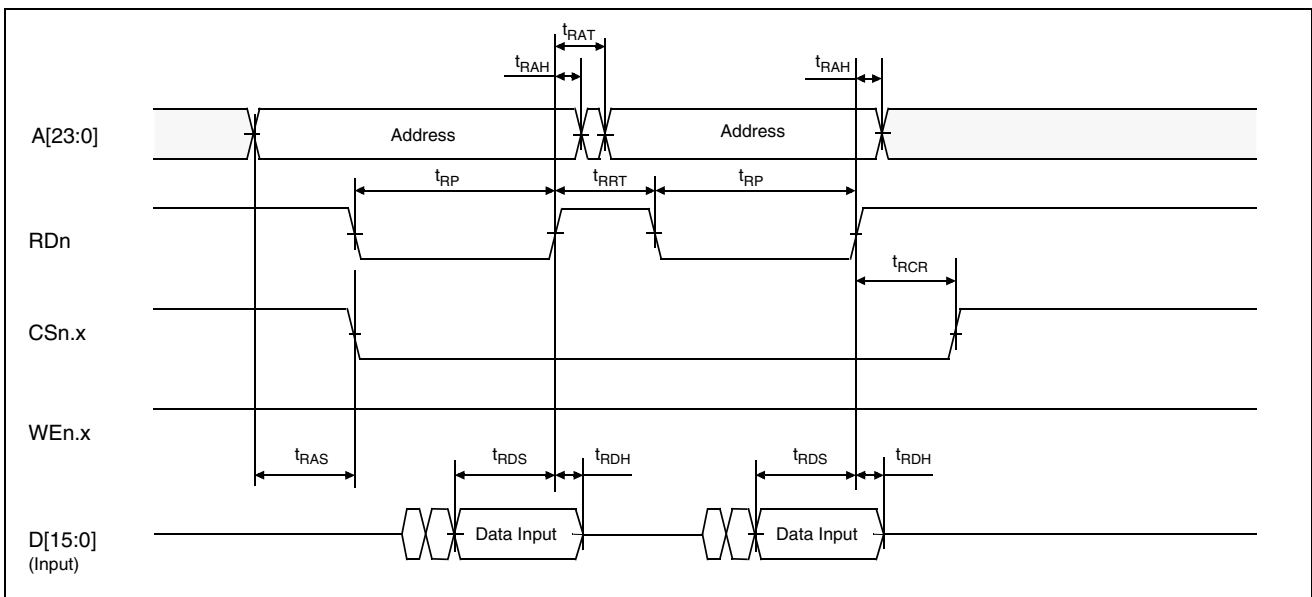


Figure 11. Read Cycle Timing: 32-bit READ on 16-bit Memory



See [Table 21](#) for read timing data.

Figure 12. Read Cycle Timing: 16-bit READ on 8-bit Memory

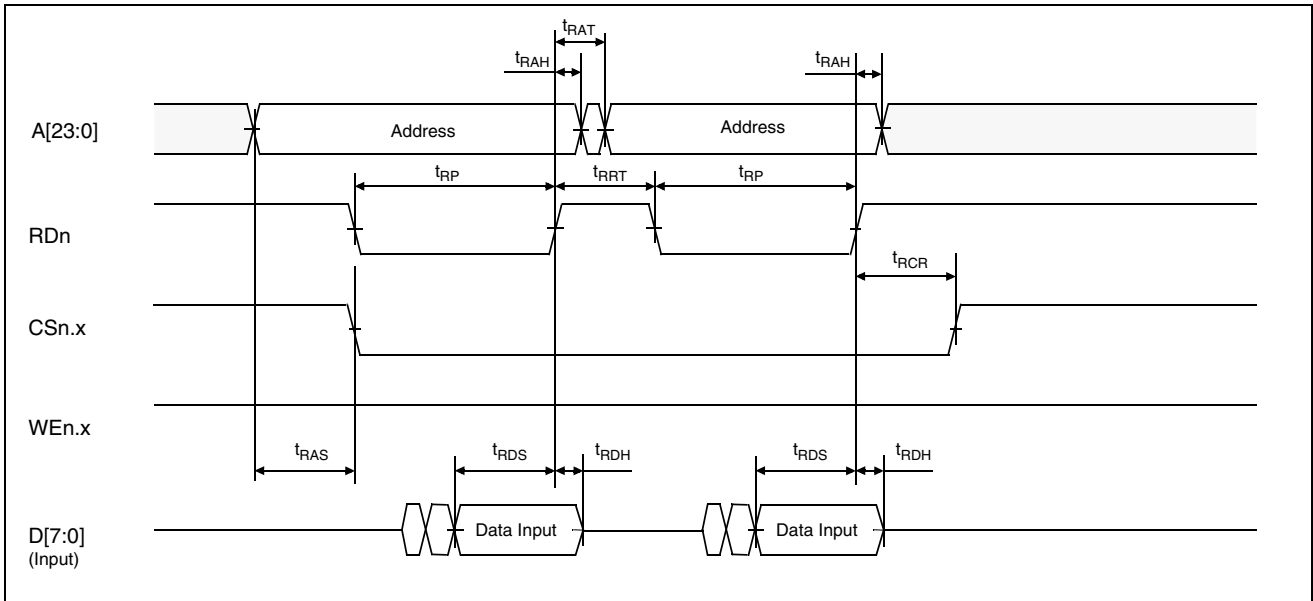
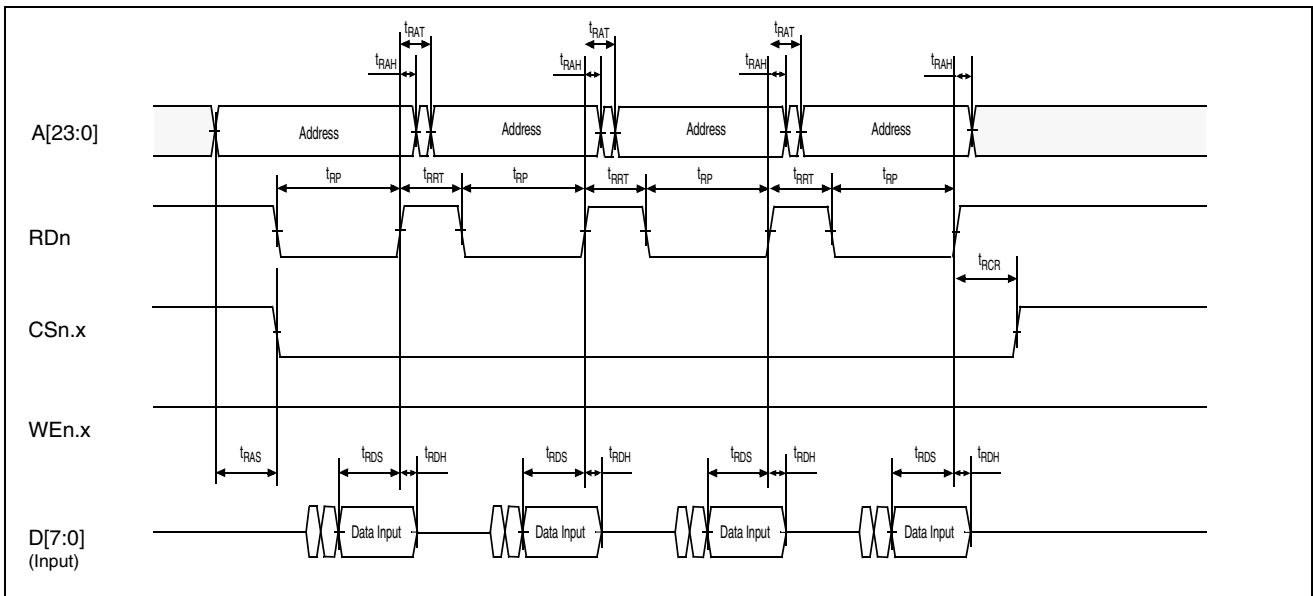


Figure 13. Read Cycle Timing: 32-bit READ on 8-bit Memory



See [Table 21](#) for read timing data.

Figure 14. Write Cycle Timing: 16-bit WRITE on 16-bit Memory

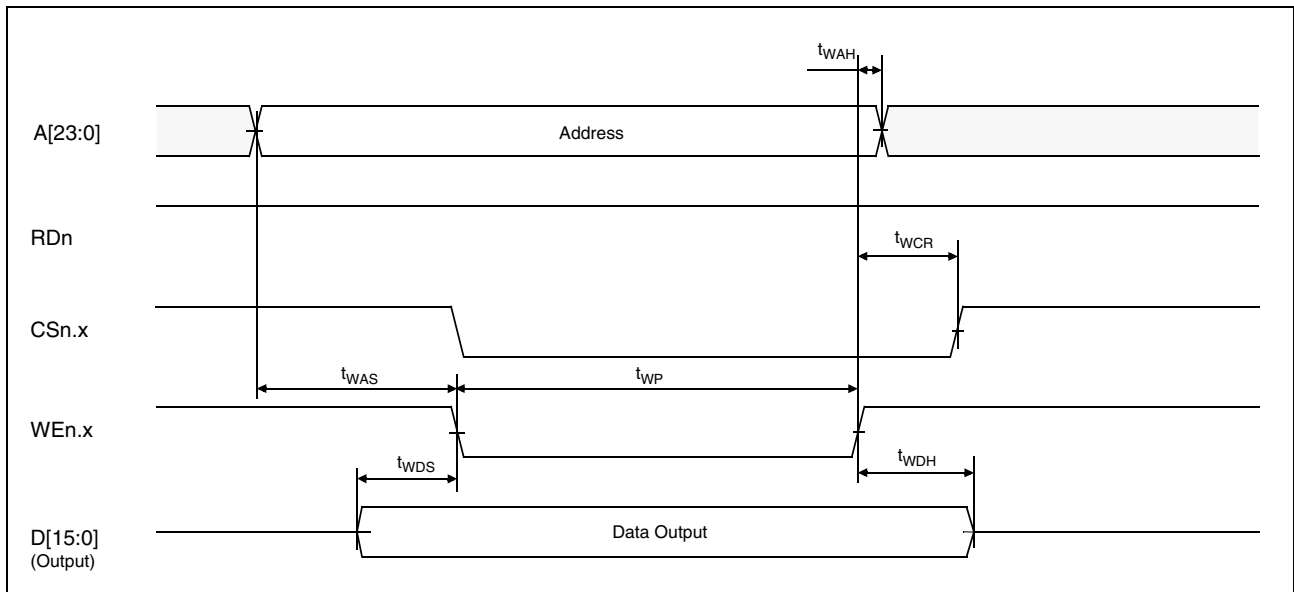
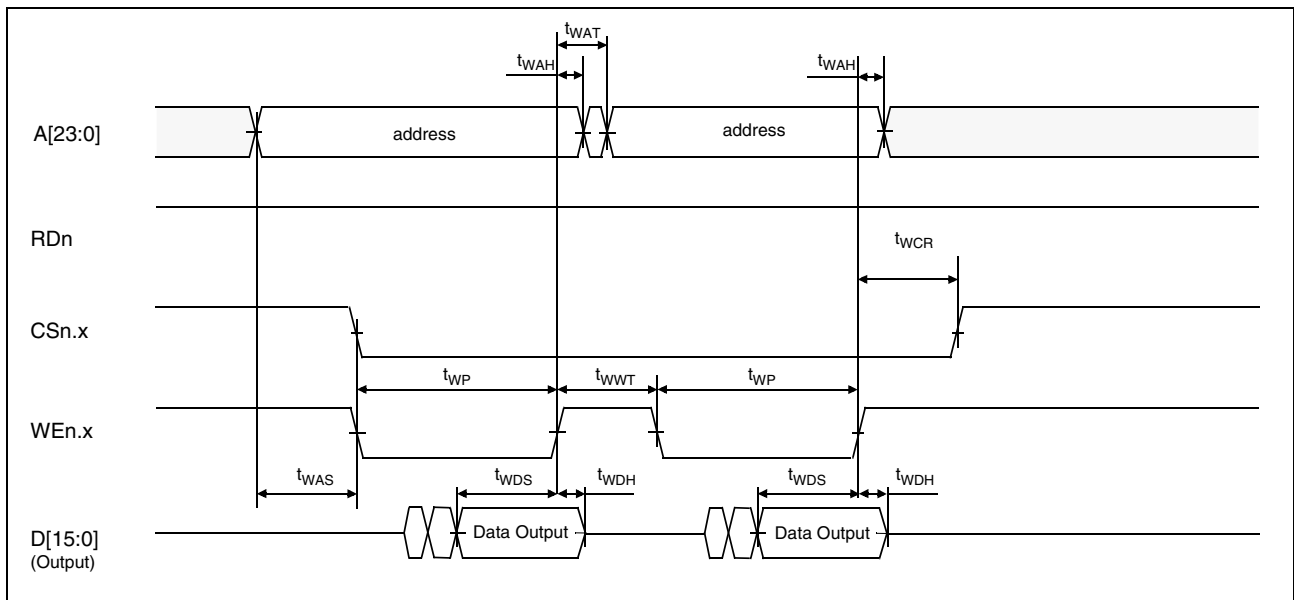


Figure 15. Write Cycle Timing: 32-bit WRITE on 16-bit Memory



See [Table 22](#) for write timing data.

Figure 16. Write Cycle Timing: 16-bit WRITE on 8-bit Memory

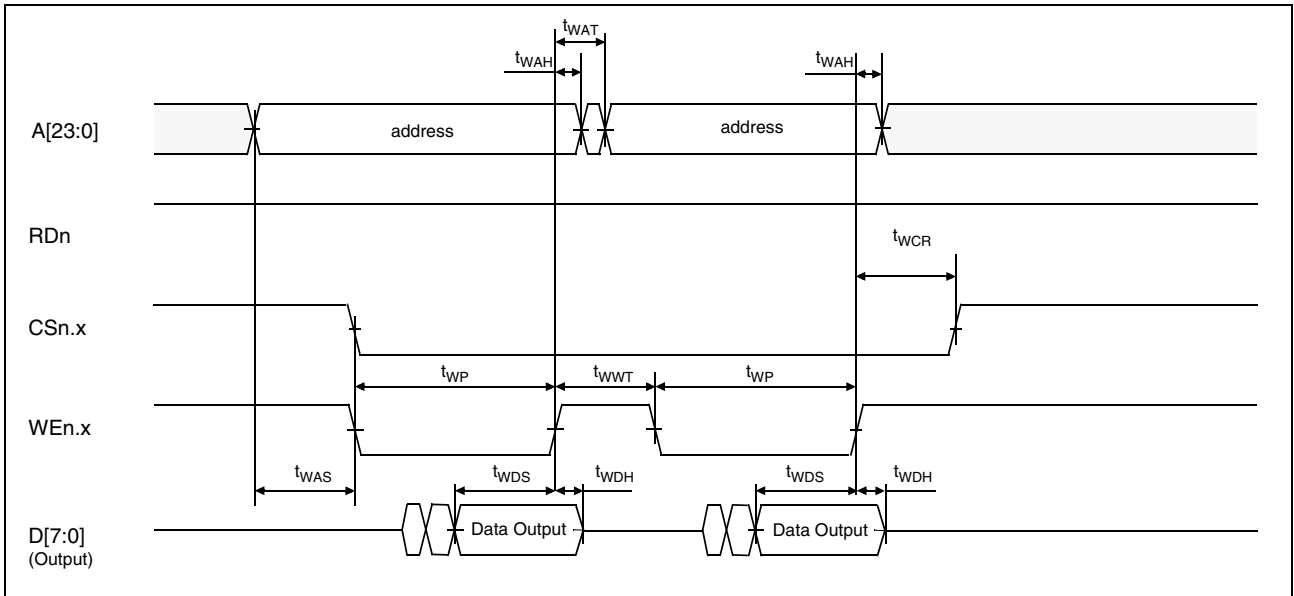
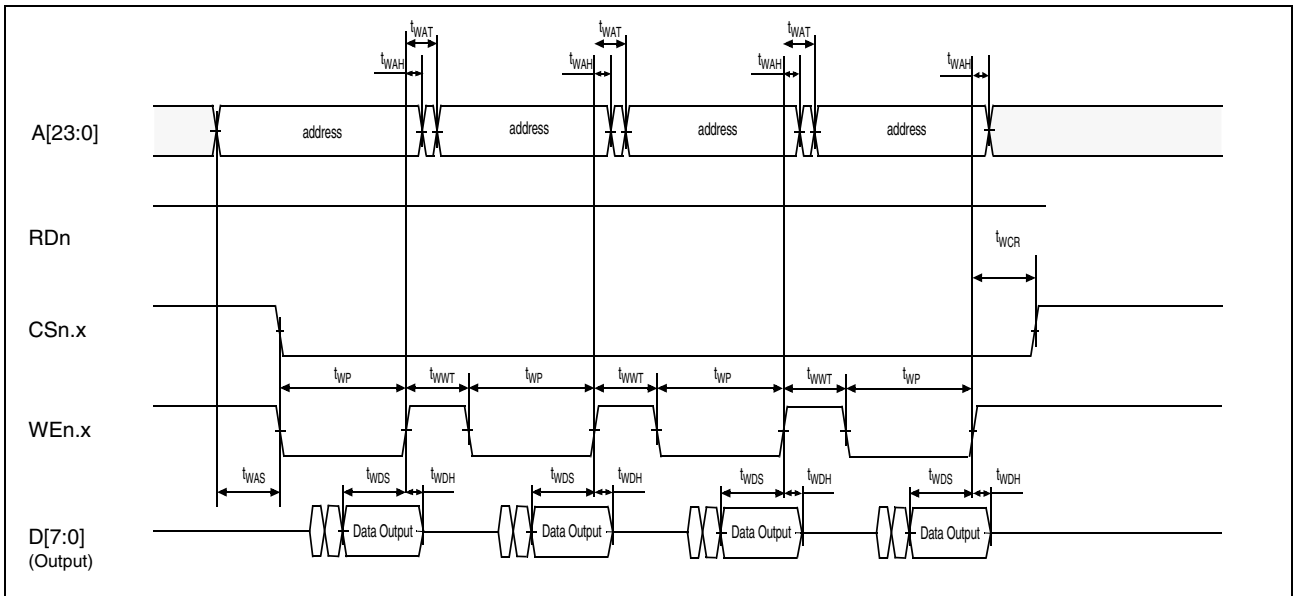


Figure 17. Write Cycle Timing: 32-bit WRITE on 8-bit Memory



See [Table 22](#) for write timing data.

2.11 ADC Electrical Characteristics

$V_{33} = 3.3 \pm 10\%$, $AV_{DD} = 3.3 \pm 10\%$, $T_A = -40 / 85 \text{ }^\circ\text{C}$ unless otherwise specified.

Table 23. ADC Electrical Characteristics

Symbol	Parameter	Test Conditions	Value			Unit
			Min	Typ	Max	
RES	Resolution	Sinewave with ΔV_{IN} amplitude		12		bits
ΔV_{IN}	Input Voltage Range		0		2.5	V
f_{MOD}	Modulator Oversampling Frequency				2.1	MHz
IBW	Input Bandwidth				$f_{MOD}/4096$	kHz
N_{ch}	Number of Input Channels				4	n
PBR	Passband Ripple				0.1	dB
SINAD	S/N and Distortion		56	63		dB
THD	Total Harmonic Distortion		60	74		dB
Z_{IN}	Input Impedance	$f_{MOD} = 2 \text{ MHz}$	1			$M\Omega$
C_{IN}	Input Capacitance				5	pF
I_{ADC}	Power Consumption	$T_A = 27 \text{ }^\circ\text{C}$		2.5	3.0	mA
I_{STBY}	Standby Power Consumption	$T_A = 27 \text{ }^\circ\text{C}$			1	μA

3 PACKAGE CHARACTERISTICS

3.1 Package Mechanical Data

Figure 18. 64-Pin Thin Quad Flat Package (10x10)

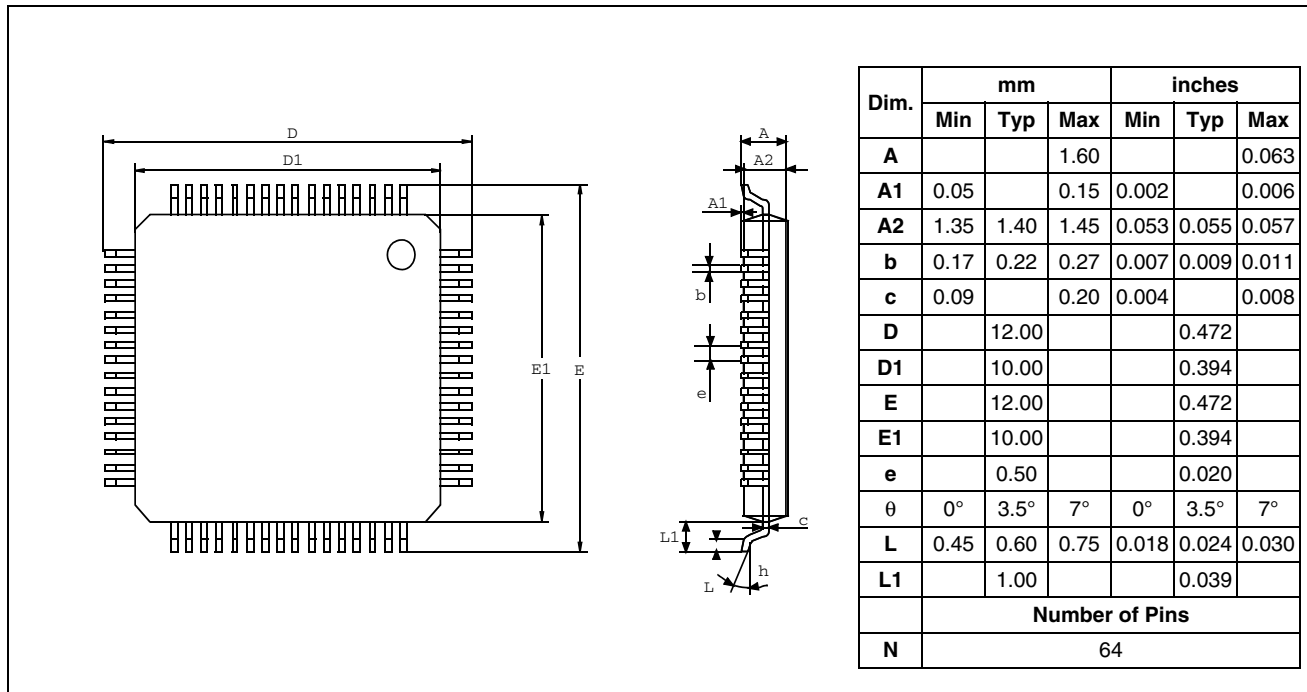


Figure 19. 144-Pin Thin Quad Flat Package

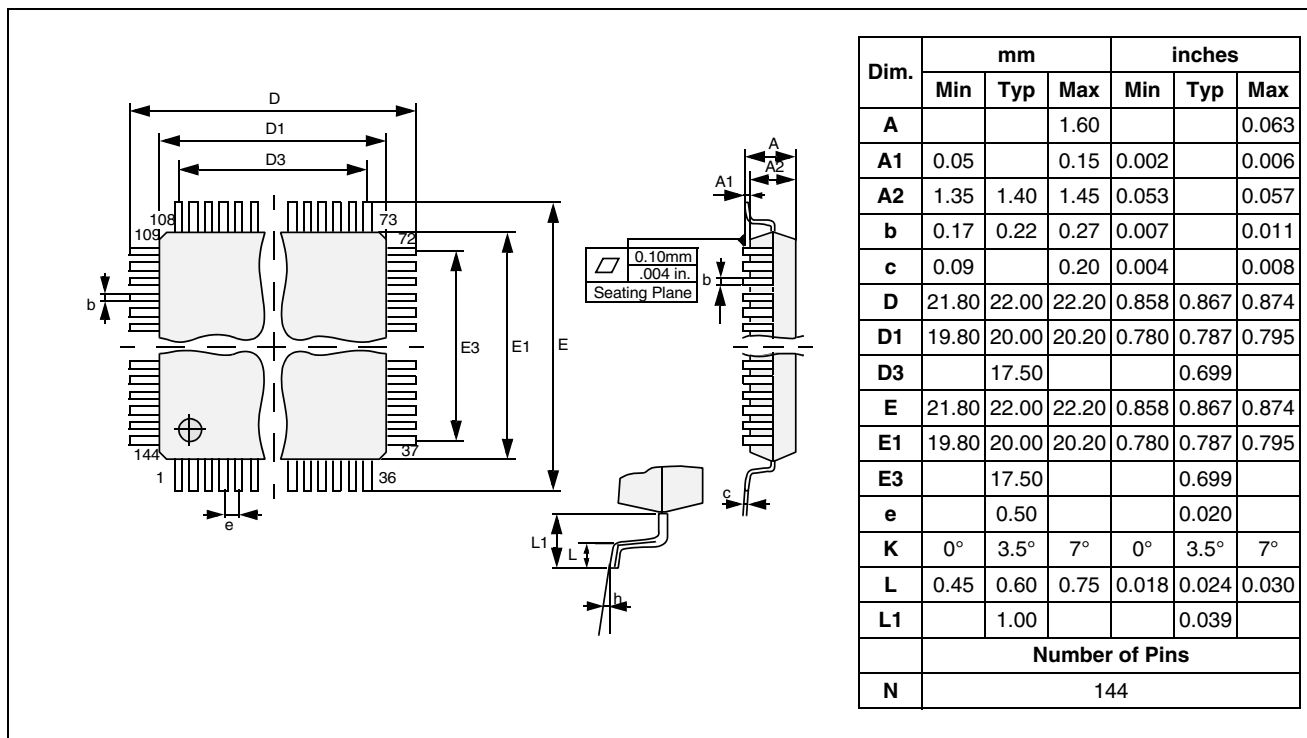


Figure 20. 64-Low Profile Fine Pitch Ball Grid Array Package

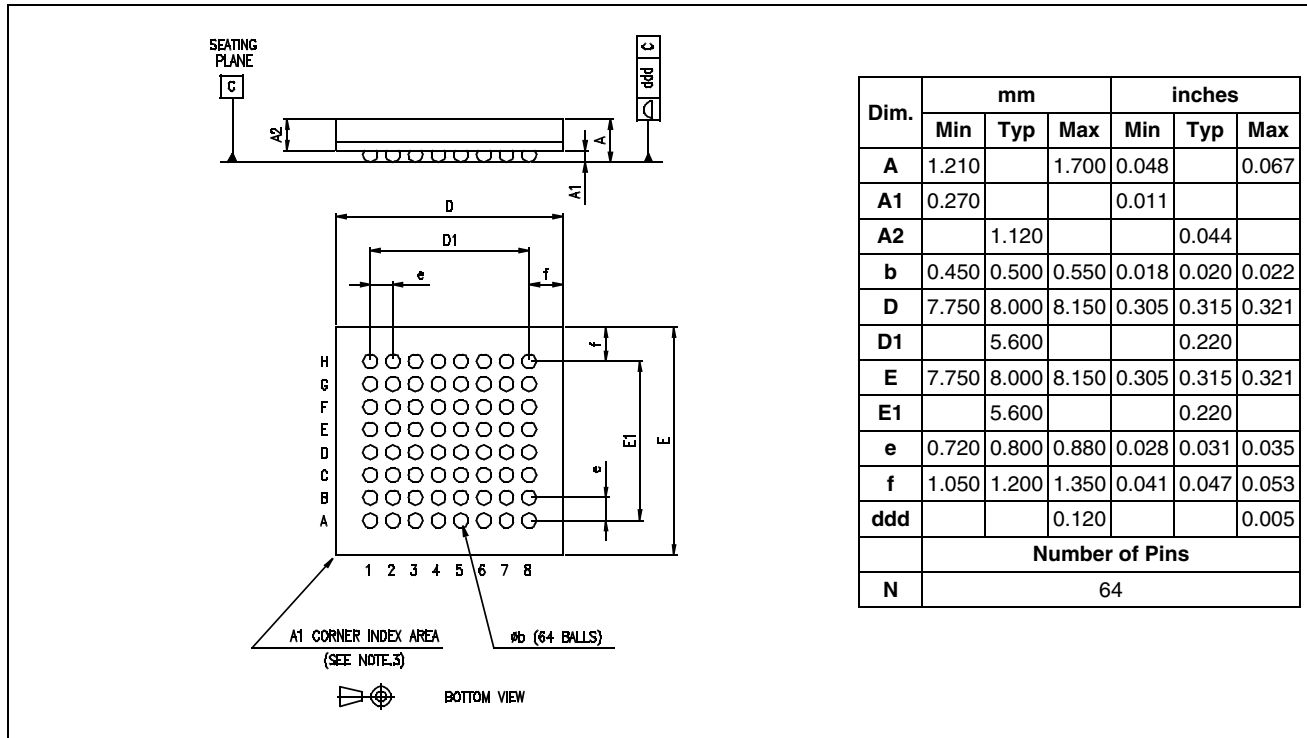
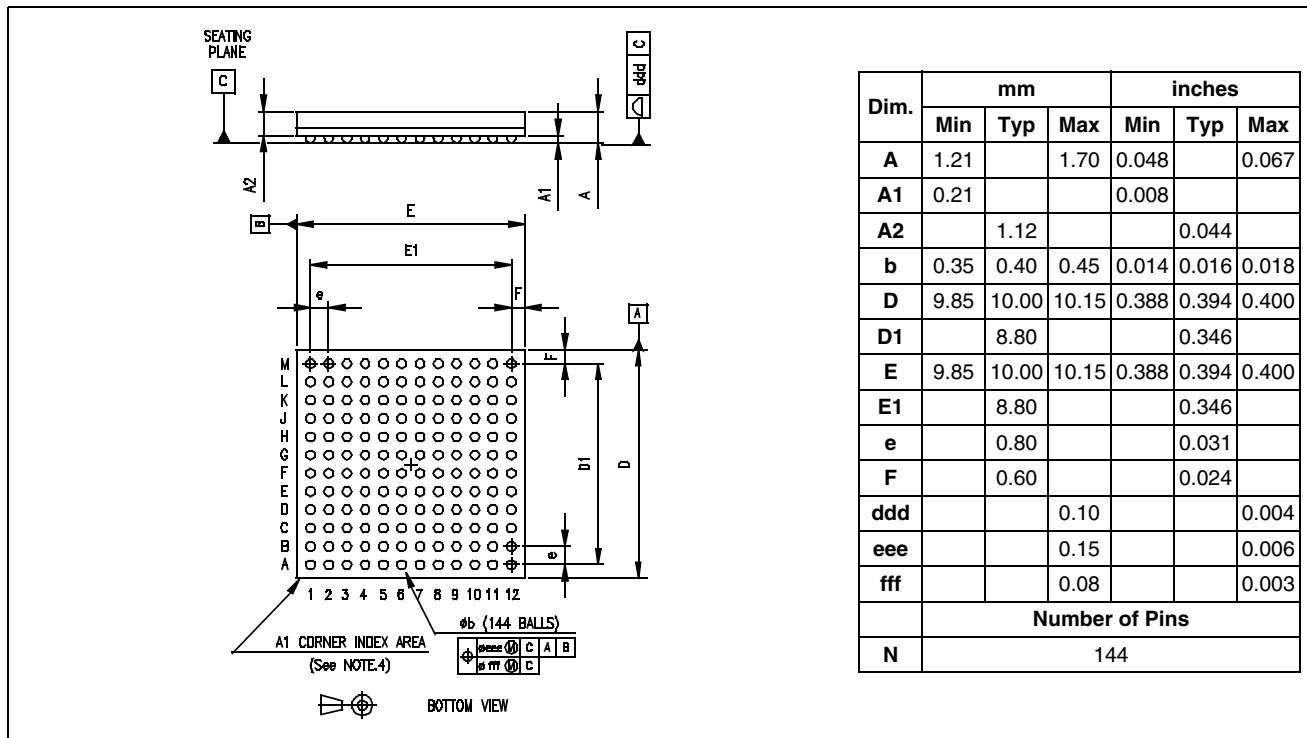


Figure 21. 144-Low Profile Fine Pitch Ball Grid Array Package



3.2 Thermal Characteristics

The average chip-junction temperature, T_J , in degrees Celsius, may be calculated using the following equation:

$$T_J = T_A + (P_D \times \Theta_{JA}) \tag{1}$$

Where:

- T_A is the Ambient Temperature in °C,
- Θ_{JA} is the Package Junction-to-Ambient Thermal Resistance, in °C/W,
- P_D is the sum of P_{INT} and $P_{I/O}$ ($P_D = P_{INT} + P_{I/O}$),
- P_{INT} is the product of I_{DD} and V_{DD} , expressed in Watts. This is the Chip Internal Power.
- $P_{I/O}$ represents the Power Dissipation on Input and Output Pins;

Most of the time for the applications $P_{I/O} < P_{INT}$ and may be neglected. On the other hand, $P_{I/O}$ may be significant if the device is configured to drive continuously external modules and/or memories.

An approximate relationship between P_D and T_J (if $P_{I/O}$ is neglected) is given by:

$$P_D = K / (T_J + 273^\circ\text{C}) \tag{2}$$

Therefore (solving equations 1 and 2):

$$K = P_D \times (T_A + 273^\circ\text{C}) + \Theta_{JA} \times P_D^2 \tag{3}$$

where:

- K is a constant for the particular part, which may be determined from equation (3) by measuring P_D (at equilibrium) for a known T_A . Using this value of K , the values of P_D and T_J may be obtained by solving equations (1) and (2) iteratively for any value of T_A .

Table 24. Thermal characteristics

Symbol	Parameter	Value	Unit
Θ_{JA}	Thermal Resistance Junction-Ambient TQFP 144 - 20 x 20 mm / 0.5 mm pitch	42	°C/W
Θ_{JA}	Thermal Resistance Junction-Ambient TQFP 64 - 10 x 10 mm / 0.5 mm pitch	45	°C/W
Θ_{JA}	Thermal Resistance Junction-Ambient LFBGA 64 - 8 x 8 x 1.7mm	TBD	°C/W
Θ_{JA}	Thermal Resistance Junction-Ambient LFBGA 144 - 10 x 10 x 1.7mm	TBD	°C/W

4 ORDER CODES

Table 25. Order Codes

Partnumber	FLASH Kbytes	RAM Kbytes	EMI	USB	CAN	I/O Ports	Package	Temp. Range			
STR710FZ1T6	128+16	32	Yes	Yes	Yes	48	TQFP144 20 x 20	-40 to +85°C			
STR710FZ2T6	256+16	64					TQFP144 20 x 20				
STR710FZ1H6	128+16	32	Yes	Yes	Yes	48	LFBGA 10 x 10 1.7				
STR710FZ2H6	256+16	64					LFBGA 10 x 10 1.7				
STR711FR0H6	64+16	16	No	Yes	No	30	LFBGA64 8 x 8 1.7				
STR711FR0T6	64+16	16					TQFP64 10x10				
STR711FR1T6	128+16	32					TQFP64 10x10				
STR711FR2T6	256+16	64					TQFP64 10x10				
STR712FR0H6	64+16	16					No		Yes	32	LFBGA64 8 x 8 1.7
STR712FR0T6	64+16	16									TQFP64 10 x 10
STR712FR1T6	128+16	32		TQFP64 10 x 10							
STR712FR2T6	256+16	64		TQFP64 10 x 10							
STR715FR0H6	64+16	16		No	No						LFBGA64 8 x 8 1.7
STR715FR0T6	64+16	16									TQFP64 10 x 10

5 REVISION HISTORY

Table 26. Revision history

Date	Revision	Description of Changes
17-Mar-2004	1	First Release
05-Apr-2004	2	Updated "ELECTRICAL CHARACTERISTICS" on page 30
08-Apr-2004	2.1	Corrected STR712F Pinout. Pins 43/42 swapped.
15-Apr-2004	2.2	PDF hyperlinks corrected.
7-Jul-2004	3	Corrected description of STDBY, V18, VSS18 V18BKP VSSBKP pins Added IDDrn typical data Updated BSPI max. baudrate. Updated "External Memory Bus Timing" on page 38
29-Oct-2004	4	Corrected Flash sector B1F0/F1 address in Figure 6 on page 27 Corrected Table 6 on page 21 TQFP64 TEST pin is 16 instead of 17. Added to TQFP64 column: pin 7 BOOTEN, pin 17 V _{33IO-PLL} Changed description of JTCK from 'External pull-down required' to 'External pull-up or pull down required'.
25-Jan-2005	5	Changed "Product Preview" to "Preliminary Data" on page 1 and 3 Renamed 'PU/PD' column to 'Reset state' in Table 6 on page 21 Added reference to STR7 Flash Programming Reference Manual
19-Apr-2005	6	Added STR715F devices and modified RAM size of STR71xF1 devices Added BGA package in Section 3 Updated ordering information in Section 4 . Added PLL duty cycle min and max. in Section 2.8

Notes:

Information furnished is believed to be accurate and reliable. However, STMicroelectronics assumes no responsibility for the consequences of use of such information nor for any infringement of patents or other rights of third parties which may result from its use. No license is granted by implication or otherwise under any patent or patent rights of STMicroelectronics. Specifications mentioned in this publication are subject to change without notice. This publication supersedes and replaces all information previously supplied. STMicroelectronics products are not authorized for use as critical components in life support devices or systems without express written approval of STMicroelectronics.

The ST logo is a registered trademark of STMicroelectronics.

All other names are the property of their respective owners
© 2005 STMicroelectronics - All rights reserved

STMicroelectronics group of companies

Australia – Belgium - Brazil - Canada - China – Czech Republic - Finland - France - Germany - Hong Kong - India - Israel - Italy - Japan - Malaysia - Malta - Morocco - Singapore - Spain - Sweden - Switzerland - United Kingdom - United States of America

www.st.com