



LPC2880; LPC2888

16/32-bit ARM microcontrollers; 8 kB cache, up to 1 MB flash, Hi-Speed USB 2.0 device, and SDRAM memory interface

Rev. 03 — 17 April 2008

Preliminary data sheet

1. General description

The LPC2880/2888 is an ARM7-based microcontroller for portable applications requiring low power and high performance. It includes a USB 2.0 Hi-Speed device interface, an external memory interface that can interface to SDRAM and flash, an SD/MMC memory card interface, ADC and DACs, and serial interfaces including UART, I²C-bus, and I²S-bus. Architectural enhancements like multi-channel DMA, processor cache, simultaneous operations on multiple internal buses, and flexible clock generation help ensure that the LPC2880/2888 can handle more demanding applications than many competing devices. The chip can be powered from a single battery, from the USB, or from regulated 1.8 V and 3.3 V.

2. Features

2.1 Key features

- ARM7TDMI processor with 8 kB cache, operating at up to 60 MHz
- 1 MB on-chip flash program memory with 128-bit access for high performance
- 64 kB SRAM
- Boot ROM allows execution of flash code, external code, or flash programming via USB
- On-chip DC-to-DC converter can generate all required voltages from a single battery or from USB power
- Multiple internal buses allow simultaneous simple DMA, USB DMA, and program execution from on-chip flash without contention
- External memory controller supports flash, SRAM, ROM, and SDRAM
- Advanced vectored interrupt controller, supporting up to 30 vectored interrupts
- Innovative event router allows interrupt, power-up, and clock-start capabilities from up to 107 sources
- Multi-channel general purpose DMA controller that can be used with most on-chip peripherals as well as for memory-to-memory transfers
- Serial interfaces:
 - ◆ Hi-Speed or Full-Speed USB 2.0 device (480 Mbit/s or 12 Mbit/s) with on-chip physical layer
 - ◆ UART with fractional baud rate generation, flow control, IrDA support, and FIFOs
 - ◆ I²C-bus interface
 - ◆ I²S-bus (Inter IC Sound bus) interface for independent stereo digital audio input and output
- SD/MMC memory card interface



- 10-bit ADC with 5-channel input multiplexing
- 16-bit stereo ADC and DACs with gain control
- Advanced clock generation and power control reduce power consumption
- Two 32-bit timers with selectable prescalers
- 8-bit/4-bit LCD interface bus
- Real-Time Clock (RTC) can be clocked by 32 kHz oscillator or another source
- Watchdog timer with interrupt and/or reset capabilities

3. Ordering information

Table 1. Ordering information

Type number	Package		
	Name	Description	Version
LPC2880FET180	TFBGA180	plastic thin fine-pitch ball grid array package; 180 balls; body 10 × 10 × 0.8 mm	SOT640-1
LPC2888FET180/01	TFBGA180	plastic thin fine-pitch ball grid array package; 180 balls; body 10 × 10 × 0.8 mm	SOT640-1
LPC2888FET180/D1	TFBGA180	plastic thin fine-pitch ball grid array package; 180 balls; body 10 × 10 × 0.8 mm	SOT640-1

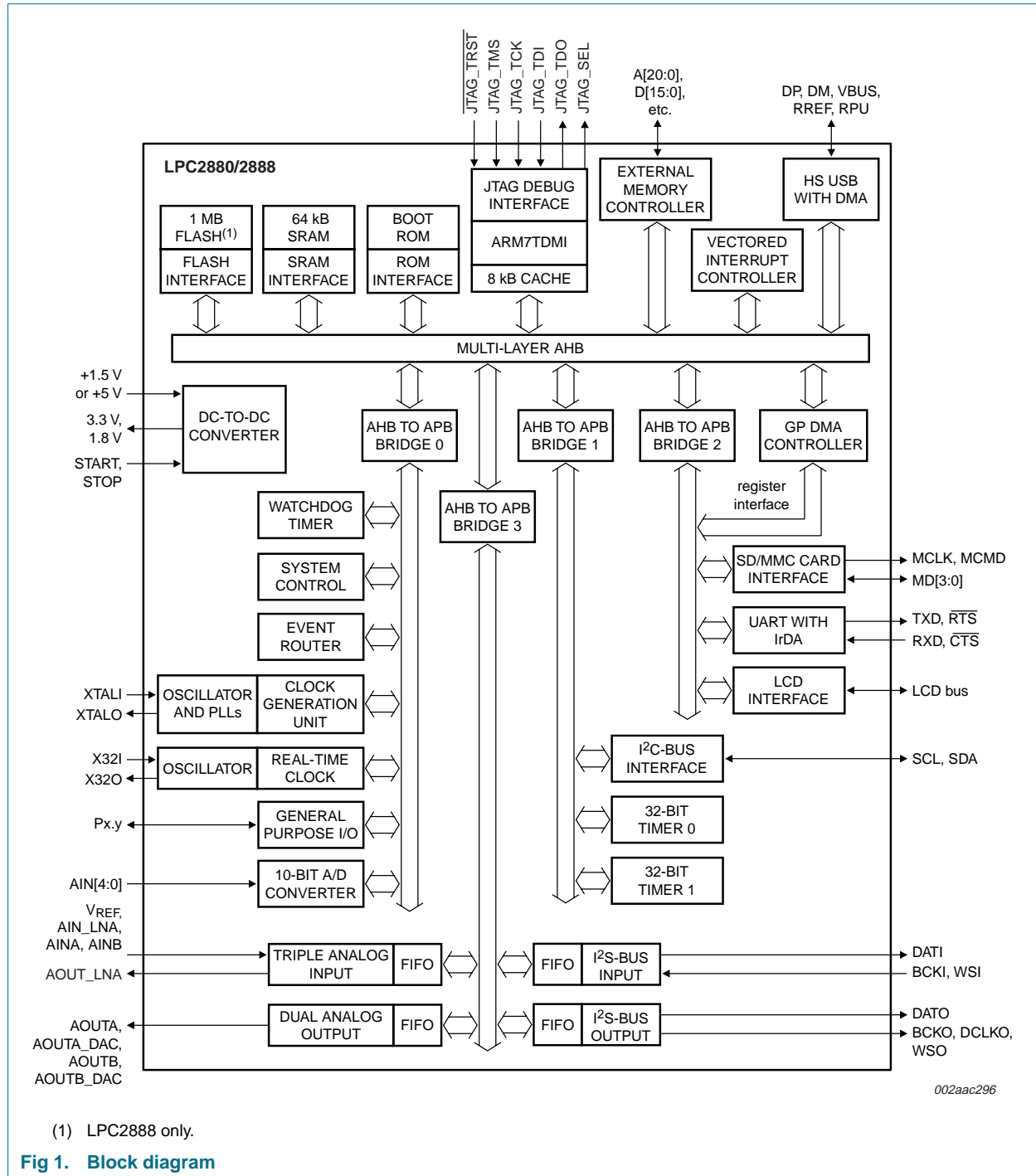
3.1 Ordering options

Table 2. Ordering options

Type number	Flash memory	JTAG interface	RAM	Temperature range
LPC2880FET180	-	enabled	64 kB	-40 °C to +85 °C
LPC2888FET180/01	1 MB	enabled	64 kB	-40 °C to +85 °C
LPC2888FET180/D1	1 MB	disabled ^[1]	64 kB	-40 °C to +85 °C

[1] JTAG interface disabled to provide code read protection. These devices are meant for volume production (no JTAG debugging is possible). The on-chip flash on these devices can only be programmed via USB.

4. Block diagram



5. Pinning information

5.1 Pinning

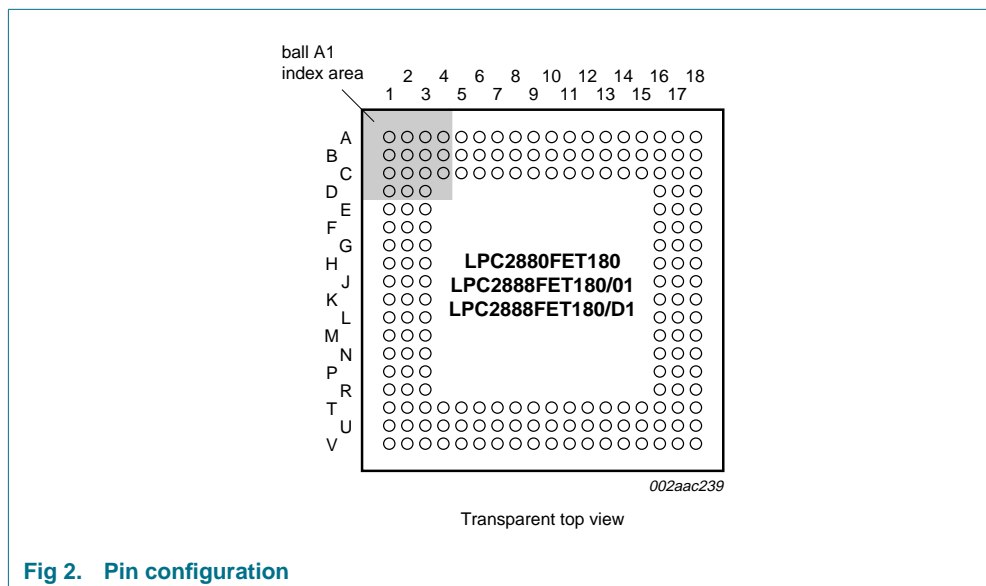


Table 3. Pin allocation table

Pin	Symbol	Pin	Symbol	Pin	Symbol	Pin	Symbol
Row A							
1	D0/P0[0]	2	D1/P0[1]	3	D3/P0[3]	4	D4/P0[4]
5	D6/P0[6]	6	V _{SS2} (EMC)	7	V _{DD2} (EMC)	8	STCS1/P1[6]
9	RAS/P1[17]	10	MCLKO/P1[14]	11	DQM1/P1[11]	12	BLS0/P1[12]
13	A18/P1[2]	14	A15/P0[31]	15	V _{SS1} (EMC)	16	V _{DD1} (EMC)
17	OE/P1[18]	18	A6/P0[22]	-	-	-	-
Row B							
1	RPO/P1[19]	2	D2/P0[2]	3	LCS/P4[0]	4	D5/P0[5]
5	D7/P0[7]	6	D11/P0[11]	7	D13/P0[13]	8	D15/P0[15]
9	DYCS/P1[8]	10	CKE/P1[9]	11	STCS2/P1[7]	12	BLS1/P1[13]
13	A19/P1[3]	14	A16/P1[0]	15	A13/P0[29]	16	A11/P0[27]
17	A9/P0[25]	18	A7/P0[23]	-	-	-	-
Row C							
1	LD1/P4[5]	2	LD0/P4[4]	3	LD2/P4[6]	4	D8/P0[8]
5	D9/P0[9]	6	D10/P0[10]	7	D12/P0[12]	8	D14/P0[14]
9	STCS0/P1[5]	10	CAS/P1[16]	11	WE/P1[15]	12	DQM0/P1[10]
13	A20/P1[4]	14	A17/P1[1]	15	A14/P0[30]	16	A12/P0[28]
17	A10/P0[26]	18	A8/P0[24]	-	-	-	-
Row D							
1	LD4/P4[8]	2	LD3/P4[7]	3	LD5/P4[9]	4	-

Table 3. Pin allocation table ...continued

Pin	Symbol	Pin	Symbol	Pin	Symbol	Pin	Symbol
13	-	14	-	15	-	16	A3/P0[19]
17	A4/P0[20]	18	A5/P0[21]	-	-	-	-
Row E							
1	V _{DD1} (IO3V3)	2	LD6/P4[10]	3	LD7/P4[11]	4	-
13	-	14	-	15	-	16	A0/P0[16]
17	A1/P0[17]	18	A2/P0[18]	-	-	-	-
Row F							
1	V _{SS1} (IO)	2	LER/P4[3]	3	LRS/P4[1]	4	-
13	-	14	-	15	-	16	DCLKO/P3[3]
17	DATO/P3[6]	18	WSO	-	-	-	-
Row G							
1	V _{SS1} (CORE)	2	LRW/P4[2]	3	MCLK/P5[0]	4	-
13	-	14	-	15	-	16	DATI/P3[0]
17	WSI/P3[2]	18	BCKO/P3[5]	-	-	-	-
Row H							
1	V _{DD1} (CORE1V8)	2	MCMD/P5[1]	3	MD0/P5[5]	4	-
13	-	14	-	15	-	16	SCL
17	BCKI/P3[1]	18	V _{SS4} (IO)	-	-	-	-
Row J							
1	MD2/P5[3]	2	MD1/P5[4]	3	MD3/P5[2]	4	-
13	-	14	-	15	-	16	MODE2/P2[3]
17	SDA	18	V _{DD4} (IO3V3)	-	-	-	-
Row K							
1	RTS/P6[3]	2	CTS/P6[2]	3	RXD/P6[0]	4	-
13	-	14	-	15	-	16	P2[0]
17	P2[1]	18	MODE1/P2[2]	-	-	-	-
Row L							
1	V _{DD} (DAC3V3)	2	VREFP(DAC)	3	TXD/P6[1]	4	-
13	-	14	-	15	-	16	DCDC_GND
17	START	18	STOP	-	-	-	-
Row M							
1	VREFN(DAC)	2	AOUTL	3	AOUTR	4	-
13	-	14	-	15	-	16	DCDC_V _{DD1} (3V3)
17	DCDC_V _{BAT}	18	DCDC_CLEAN	-	-	-	-
Row N							
1	i.c. ^[1]	2	i.c. ^[1]	3	i.c. ^[1]	4	-
13	-	14	-	15	-	16	DCDC_V _{SS2}
17	DCDC_LX2	18	DCDC_V _{DD0} (1V8)	-	-	-	-
Row P							
1	V _{SS6} (IO)	2	V _{SS5} (IO)	3	i.c. ^[1]	4	-
13	-	14	-	15	-	16	RREF

Table 3. Pin allocation table ...continued

Pin	Symbol	Pin	Symbol	Pin	Symbol	Pin	Symbol
17	DCDC_LX1	18	DCDC_VSS1	-	-	-	-
Row R							
1	V _{DD5} (IO3V3)	2	V _{DD6} (IO3V3)	3	i.c. ^[1]	4	-
13	-	14	-	15	-	16	V _{SS2} (USB)
17	V _{SS1} (USB)	18	DCDC_V _{DDO} (3V3)	-	-	-	-
Row T							
1	AINR	2	i.c. ^[1]	3	V _{COM} (DADC)	4	AINL
5	JTAG_TDI	6	AIN3	7	AIN1	8	X32O
9	V _{SS} (OSC)	10	XTALI	11	V _{SS3} (INT)	12	V _{SS1} (INT)
13	JTAG_TRST	14	RESET	15	CONNECT	16	V _{SS3} (USB)
17	DM	18	DCDC_V _{USB}	-	-	-	-
Row U							
1	VREF(DADC)	2	VREFP(DADC)	3	V _{DD} (DADC3V3)	4	JTAG_SEL
5	AIN4	6	AIN2	7	AIN0	8	V _{DD} (OSC321V8)
9	V _{DD} (OSC1V8)	10	V _{SS} (ADC)	11	V _{SS2} (INT)	12	JTAG_TMS
13	JTAG_TDO	14	VBUS/P7[0]	15	V _{DD1} (USB1V8)	16	V _{DD2} (USB1V8)
17	DP	18	V _{DD3} (USB3V3)	-	-	-	-
Row V							
1	VREFN(DADC)	2	V _{SS} (DADC)	3	V _{DD} (DADC1V8)	4	JTAG_TCK
5	V _{DD2} (IO3V3)	6	V _{SS2} (IO)	7	X32I	8	V _{SS} (OSC32)
9	XTALO	10	V _{DD} (ADC3V3)	11	V _{DD2} (CORE1V8)	12	V _{SS2} (CORE)
13	V _{SS3} (IO)	14	V _{DD3} (IO3V3)	15	V _{DD1} (FLASH1V8)	16	V _{DD2} (FLASH1V8)
17	V _{SS3} (CORE)	18	V _{DD4} (USB3V3)	-	-	-	-

[1] These pins are connected internally and must be left unconnected in an application.

5.2 Pin description

Table 4. Pin description

Symbol	Ball #	Type ^[1]	Description
Analog in (dual converter)			
AINL	T4	I	analog L input channel
AINR	T1	I	analog R input channel
VCOM(DADC)	T3	RV	ADC common reference voltage and analog output reference voltage combined on-chip
VREF(DADC)	U1	RV	ADC reference voltage
VREFN(DADC)	V1	RV	ADC negative reference voltage
VREFP(DADC)	U2	RV	ADC positive reference voltage
V _{DD} (DADC1V8)	V3	P	1.8 V for dual ADC
V _{DD} (DADC3V3)	U3	P	3.3 V for dual ADC
V _{SS} (DADC)	V2	P	ground for dual ADC

Table 4. Pin description ...continued

Symbol	Ball #	Type ^[1]	Description
Analog in (single converter)			
AIN0	U7	I	multiplexed analog input
AIN1	T7	I	multiplexed analog input
AIN2	U6	I	multiplexed analog input
AIN3	T6	I	multiplexed analog input
AIN4	U5	I	multiplexed analog input
V _{DD(ADC3V3)}	V10	P	3.3 V analog supply and reference voltage
V _{SS(ADC)}	U10	P	ground
Analog out (dual channel)			
AOUTL	M2	O	DAC L analog out
AOUTR	M3	O	DAC R analog out
VREFN(DAC)	M1	RV	negative reference voltage
VREFP(DAC)	L2	RV	positive reference voltage
V _{DD(DAC3V3)}	L1	P	3.3 V for DAC
DAI interface			
BCKI/P3[1]	H17	FI	DAI bit clock; 5 V tolerant GPIO pin
DATI/P3[0]	G16	FI	DAI serial data input; 5 V tolerant GPIO pin
WSI/P3[2]	G17	FI	DAI word select; 5 V tolerant GPIO pin
DAO interface			
BCKO/P3[5]	G18	FO	DAO bit clock; 5 V tolerant GPIO pin
DATO/P3[6]	F17	FO	DAO serial data output; 5 V tolerant GPIO pin
DCLKO/P3[3]	F16	FO	256 × clock output; 5 V tolerant GPIO pin
WSO	F18	O	DAO word select; 5 V tolerant pin
DC-to-DC converters			
START	L17	I	DC-to-DC converter activation
STOP	L18	I	DC-to-DC converter deactivation
DCDC_CLEAN	M18	P	reference circuit ground, not connected to substrate
DCDC_GND	L16	P	DC-to-DC converter main ground and substrate
DCDC_LX1	P17	P	connect to external coil for DC/DC1
DCDC_LX2	N17	P	connect to external coil for DC/DC2
DCDC_V _{BAT}	M17	P	connect to battery +
DCDC_V _{DDI(3V3)}	M16	P	DC/DC1 3.3 V input voltage
DCDC_V _{DDO(1V8)}	N18	P	DC/DC2 1.8 V output voltage
DCDC_V _{DDO(3V3)}	R18	P	DC/DC1 3.3 V output voltage
DCDC_V _{SS1}	P18	P	ground for DC/DC1, not connected to substrate
DCDC_V _{SS2}	N16	P	ground for DC/DC2, not connected to substrate
DCDC_V _{USB}	T18	P	connect to +5 V pin of USB connector

Table 4. Pin description ...continued

Symbol	Ball #	Type ^[1]	Description
External memory interface			
D0/P0[0]	A1	FI	external memory data bus, low byte (I/O); GPIO pins
D1/P0[1]	A2		
D2/P0[2]	B2		
D3/P0[3]	A3		
D4/P0[4]	A4		
D5/P0[5]	B4		
D6/P0[6]	A5		
D7/P0[7]	B5		
D8/P0[8]	C4	FI	external memory data bus, high byte (I/O); GPIO pins
D9/P0[9]	C5		
D10/P0[10]	C6		
D11/P0[11]	B6		
D12/P0[12]	C7		
D13/P0[13]	B7		
D14/P0[14]	C8		
D15/P0[15]	B8		
A0/P0[16]	E16	FO	address bus for SDRAM and static memory; GPIO pins
A1/P0[17]	E17		
A2/P0[18]	E18		
A3/P0[19]	D16		
A4/P0[20]	D17		
A5/P0[21]	D18		
A6/P0[22]	A18		
A7/P0[23]	B18		
A8/P0[24]	C18		
A9/P0[25]	B17		
A10/P0[26]	C17		
A11/P0[27]	B16		
A12/P0[28]	C16		
A13/P0[29]	B15		
A14/P0[30]	C15		
A15/P0[31]	A14	FO	
A16/P1[0]	B14		
A17/P1[1]	C14		
A18/P1[2]	A13		
A19/P1[3]	B13		
A20/P1[4]	C13		
$\overline{\text{BLS0}}$ /P1[12]	A12	FO	byte lane select for D[7:0], active LOW for static memory; GPIO pin
$\overline{\text{BLS1}}$ /P1[13]	B12	FO	byte lane select for D[15:8], active LOW for static memory; GPIO pin
$\overline{\text{CAS}}$ /P1[16]	C10	FO	column address strobe, active LOW for SDRAM; GPIO pin

Table 4. Pin description ...continued

Symbol	Ball #	Type ^[1]	Description
CKE/P1[9]	B10	FO	clock enable; active HIGH for SDRAM; GPIO pin
DQM0/P1[10]	C12	FO	data mask output for D[7:0], active HIGH for SDRAM; GPIO pin
DQM1/P1[11]	A11	FO	data mask output for D[15:8], active HIGH for SDRAM; GPIO pin
$\overline{\text{DYCS}}$ /P1[8]	B9	FO	chip select, active LOW for SDRAM; GPIO pin
MCLKO/P1[14]	A10	FO	clock for SDRAM and SyncFlash memory; GPIO pin
$\overline{\text{OE}}$ /P1[18]	A17	FO	output enable, active LOW for static memory; GPIO pin
$\overline{\text{RAS}}$ /P1[17]	A9	FO	row address strobe, active LOW for SDRAM; GPIO pin
$\overline{\text{RPO}}$ /P1[19]	B1	FO	reset power-down, active LOW for SyncFlash memory; GPIO pin
$\overline{\text{STCS0}}$ /P1[5]	C9	FO	chip select, active LOW for static memory bank 0; GPIO pin
$\overline{\text{STCS1}}$ /P1[6]	A8	FO	chip select, active LOW for static memory bank 1; GPIO pin
$\overline{\text{STCS2}}$ /P1[7]	B11	FO	chip select, active LOW for static memory bank 2; GPIO pin
$\overline{\text{WE}}$ /P1[15]	C11	FO	write enable, active LOW for SDRAM and static memory; GPIO pin
GPIO and mode control			
MODE1/P2[2]	K18	FI	start-up mode pin 1 (pull-down); 5 V tolerant GPIO pin
MODE2/P2[3]	J16	FI	start-up mode pin 2 (pull-down); 5 V tolerant GPIO pin
P2[0]	K16	FI	5 V tolerant GPIO pin
P2[1]	K17	FI	5 V tolerant GPIO pin
I²C-bus interface			
SCL	H16	I/O	serial clock (input/open-drain output); 5 V tolerant pin
SDA	J17	I/O	serial data (input/open-drain output); 5 V tolerant pin
JTAG interface			
JTAG_SEL	U4	I	JTAG selection (pull-down); 5 V tolerant pin
JTAG_TCK	V4	I	JTAG reset input (pull-down); 5 V tolerant pin
JTAG_TDI	T5	I	JTAG data input (pull-up); 5 V tolerant pin
JTAG_TMS	U12	I	JTAG mode select input (pull-up); 5 V tolerant pin
$\overline{\text{JTAG_TRST}}$	T13	I	JTAG reset input (pull-down); 5 V tolerant pin
JTAG_TDO	U13	O	JTAG data output; 5 V tolerant pin
LCD interface			
LCS/P4[0]	B3	FO	chip select to LCD device, programmable polarity; 5 V tolerant GPIO pin
LD0/P4[4]	C2	FO	data bus to/from LCD (I/O) or 5 V tolerant GPIO pins
LD1/P4[5]	C1	FO	
LD2/P4[6]	C3	FO	
LD3/P4[7]	D2	FO	
LD4/P4[8]	D1	FO	
LD5/P4[9]	D3	FO	
LD6/P4[10]	E2	FO	
LD7/P4[11]	E3	FO	
LER/P4[3]	F2	FO	6800 E or 8080 $\overline{\text{RD}}$ or 5 V tolerant GPIO pin
LRS/P4[1]	F3	FO	'HIGH' data register select, 'LOW' instruction register select, or 5 V tolerant GPIO pin
LRW/P4[2]	G2	FO	6800 $\overline{\text{W/R}}$ or 8080 $\overline{\text{WR}}$ or 5 V tolerant GPIO pin

Table 4. Pin description ...continued

Symbol	Ball #	Type ^[1]	Description
Memory card interface			
MCMD/P5[1]	H2	FI	command (I/O); 5 V tolerant GPIO pin
MD0/P5[5]	H3	FI	data bus from/to SD/MCI card (I/O); 5 V tolerant GPIO pin
MD1/P5[4]	J2	FI	data bus from/to SD/MCI card (I/O); 5 V tolerant GPIO pin
MD2/P5[3]	J1	FI	data bus from/to SD/MCI card (I/O); 5 V tolerant GPIO pin
MD3/P5[2]	J3	FI	data bus from/to SD/MCI card (I/O); 5 V tolerant GPIO pin
MCLK/P5[0]	G3	FO	MCI clock output; 5 V tolerant GPIO pin
Oscillator (32.768 kHz)			
X32I	V7	I	32.768 kHz oscillator input
X32O	T8	O	32.768 kHz oscillator output
V _{DD} (OSC321V8)	U8	P	1.8 V
V _{SS} (OSC32)	V8	P	ground
Oscillator (main)			
XTALI	T10	I	main oscillator input
XTALO	V9	O	main oscillator output
V _{DD} (OSC1V8)	U9	P	1.8 V
V _{SS} (OSC)	T9	P	ground
Reset			
RESET	T14	I	master reset, active LOW; 5 V tolerant pin
UART			
CTS/P6[2]	K2	FI	clear to send or transmit flow control, active LOW; 5 V tolerant GPIO pin
RXD/P6[0]	K3	FI	serial input; 5 V tolerant GPIO pin
RTS/P6[3]	K1	FO	request to send or receive flow control, active LOW; 5 V tolerant GPIO pin
TXD/P6[1]	L3	FO	serial output; 5 V tolerant GPIO pin
USB interface			
CONNECT	T15	P	used for signalling speed capability; for high-speed USB, connect an external 1.5 kΩ resistor to 3.3 V
DM	T17	I/O	negative USB data line
DP	U17	I/O	positive USB data line
RREF	P16	P	transceiver reference; connect an external 12 kΩ 1 % resistor to ground
VBUS/P7[0]	U14	FI	USB supply detection; 5 V tolerant GPIO pin
V _{DD1} (USB1V8)	U15	P	analog 1.8 V
V _{DD2} (USB1V8)	U16	P	analog 1.8 V
V _{DD3} (USB3V3)	U18	P	analog 3.3 V
V _{DD4} (USB3V3)	V18	P	analog 3.3 V
V _{SS1} (USB)	R17	P	analog ground
V _{SS2} (USB)	R16	P	analog ground
V _{SS3} (USB)	T16	P	analog ground

Table 4. Pin description ...continued

Symbol	Ball #	Type ^[1]	Description
Digital power and ground			
V _{DD1} (CORE1V8)	H1	P	1.8 V for internal RAM and ROM
V _{DD1} (FLASH1V8)	V15	P	1.8 V for internal flash memory
V _{DD1} (EMC)	A16	P	1.8 V or 3.3 V for external memory controller
V _{DD1} (IO3V3)	E1	P	3.3 V for peripherals
V _{DD2} (CORE1V8)	V11	P	1.8 V for core
V _{DD2} (EMC)	A7	P	1.8 V or 3.3 V for external memory controller
V _{DD2} (FLASH1V8)	V16	P	1.8 V for internal flash memory
V _{DD2} (IO3V3)	V5	P	3.3 V for peripherals
V _{DD3} (IO3V3)	V14	P	3.3 V for peripherals
V _{DD4} (IO3V3)	J18	P	3.3 V for peripherals
V _{DD5} (IO3V3)	R1	P	3.3 V for peripherals
V _{DD6} (IO3V3)	R2	P	3.3 V for peripherals
V _{SS1} (CORE)	G1	P	ground for internal RAM and ROM
V _{SS1} (EMC)	A15	P	ground for external memory controller
V _{SS1} (INT)	T12	P	ground for other internal blocks
V _{SS1} (IO)	F1	P	ground for peripherals
V _{SS2} (CORE)	V12	P	ground for core
V _{SS2} (EMC)	A6	P	ground for external memory controller
V _{SS2} (INT)	U11	P	ground for other internal blocks
V _{SS2} (IO)	V6	P	ground for peripherals
V _{SS3} (CORE)	V17	P	ground for core, substrate, flash
V _{SS3} (INT)	T11	P	ground for other internal blocks
V _{SS3} (IO)	V13	P	ground for peripherals
V _{SS4} (IO)	H18	P	ground for peripherals
V _{SS5} (IO)	P2	P	ground for peripherals
V _{SS6} (IO)	P1	P	ground for peripherals

[1] I = input; O = output; I/O = input/output; RV = reference voltage; FI = functional input; FO = functional output; P = power or ground

6. Functional description

6.1 Architectural overview

The LPC2880/2888 includes an ARM7TDMI CPU with an 8 kB cache, an AMBA AHB interfacing to high-speed on-chip peripherals and internal and external memory, and four AMBA APBs for connection to other on-chip peripheral functions.

The LPC2880/2888 includes a multi-layer AHB and four separate APBs, in order to minimize interference between the USB controller, other DMA operations, and processor activity. Bus masters include the ARM7 itself, the USB block, and the general purpose DMA controller.

Lower speed peripheral functions are connected to the APBs. The four AHB-to-APB bridges interface the APBs to the AHB.

6.1.1 ARM7TDMI processor

The ARM7TDMI is a general purpose 32-bit microprocessor that offers high performance and very low power consumption. The ARM architecture is based on RISC principles, and the instruction set and related decode mechanism are much simpler than those of microprogrammed CISCs. This simplicity results in a high instruction throughput and impressive real-time interrupt response from a small and cost-effective processor core.

Pipeline techniques are employed so that all parts of the processing and memory systems can operate continuously. Typically, while one instruction is being executed, its successor is being decoded, and a third instruction is being fetched from memory.

The ARM7TDMI processor also employs a unique architectural strategy known as Thumb, which makes it ideally suited to high-volume applications with memory restrictions, or applications where code density is an issue.

The key idea behind Thumb is that of a super-reduced instruction set. Essentially, the ARM7TDMI processor has two instruction sets:

- The standard 32-bit ARM instruction set.
- A 16-bit Thumb instruction set.

The Thumb set's 16-bit instruction length allows it to approach twice the density of standard ARM code while retaining most of the ARM's performance advantage over a traditional 16-bit processor using 16-bit registers. This is possible because Thumb code operates on the same 32-bit register set as ARM code.

Thumb code is able to provide down to 65 % of the code size of ARM, and 160 % of the performance of an equivalent ARM processor connected to a 16-bit memory system.

The ARM7TDMI processor is described in detail on the ARM web site.

6.1.2 On-chip flash memory system

The LPC2880/2888 includes a 1 MB flash memory system. This memory may be used for both code and data storage. Programming of the flash memory may be accomplished in several ways. It may be programmed In System via the USB port. The application program may also erase and/or program the flash while the application is running, allowing a great degree of flexibility for data storage field firmware upgrades, etc.

The flash is 128 bit wide and includes buffering to allow 3 out of 4 sequential read operations to operate without wait states.

6.1.3 On-chip SRAM

The LPC2880/2888 includes 64 kB of SRAM that may be used for code and/or data storage.

6.1.4 On-chip ROM

The LPC2880/2888 includes an on-chip ROM that contains boot code. Execution begins in on-chip ROM after a reset.

The boot code in this ROM reads the state of the mode inputs and accordingly does one of the following:

- Starts execution in internal flash
- Starts execution in external memory
- Performs a hardware self-test, or
- Downloads code from the USB interface into on-chip RAM and transfers control to the downloaded code

6.2 Memory map

The LPC2880/2888 memory map incorporates several distinct regions, as shown in [Figure 3](#). When an application is running, the CPU interrupt vectors are remapped to allow them to reside in on-chip SRAM.

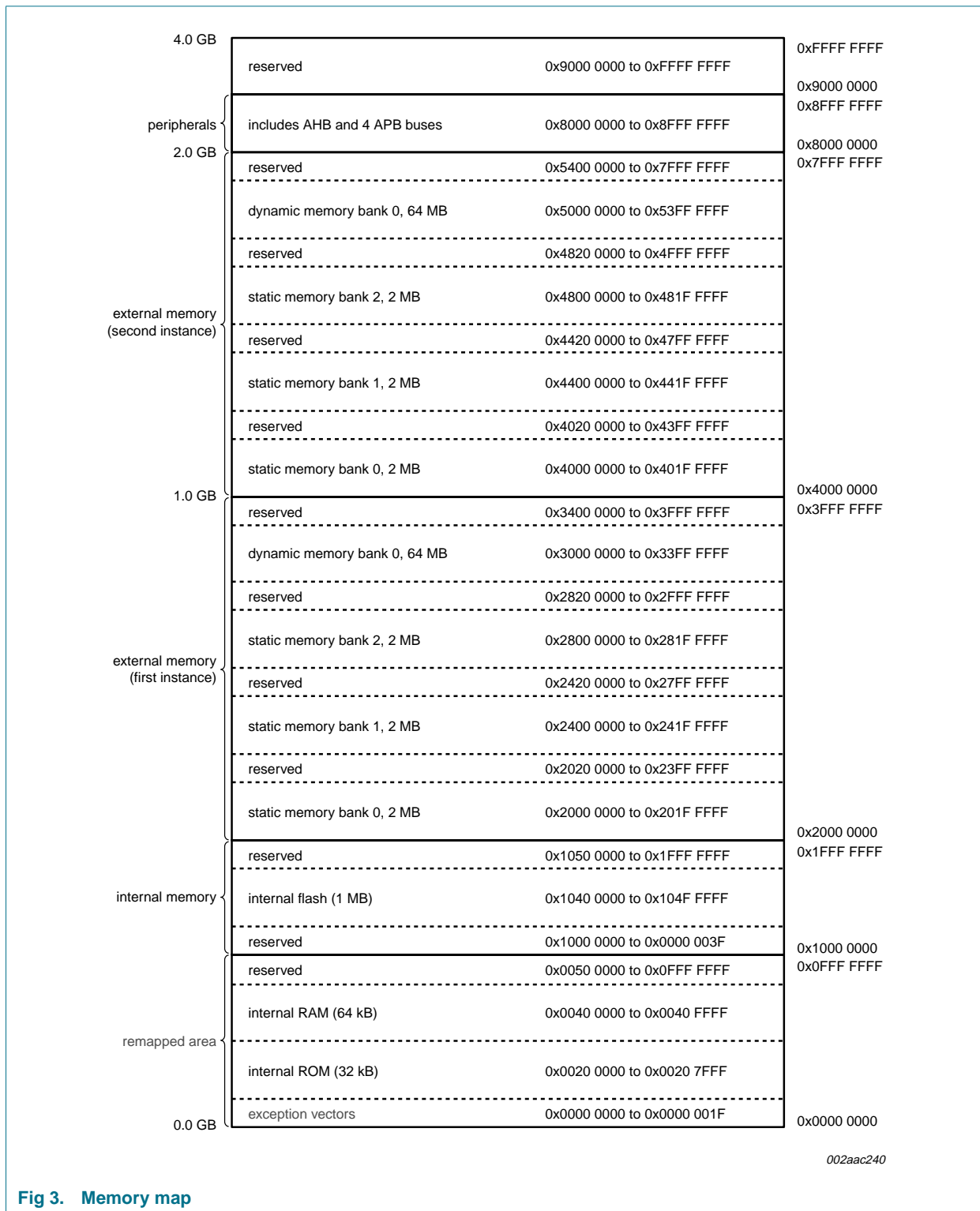


Fig 3. Memory map

6.3 Cache

The CPU of the LPC2880/2888 has been extended with a 2-way set-associative cache. The cache is 8 kB in size and can store both data and instruction code.

If code that is being executed is present in the cache from a previous execution, the CPU will not experience code fetch waits. Similarly, if requested data is present in the cache, the CPU will not experience a data access wait.

The trade-off of introducing this cache is that each AHB access that bypasses the cache will have an extra wait state inserted. Therefore it is advisable that both instruction caching and data caching are turned on for most regions of on and off-chip memory.

6.3.1 Cache operation

The cache works as follows, for each page for which it is enabled:

- If data is read and is not in the cache (a cache miss), a line of eight 32-bit words is read from the AHB bus. The CPU waits until this process is complete.
- If data is read and is found in the cache (a cache hit), data is read from cache with zero wait states.
- If data is written, and the location is not in the cache (a cache miss), the data is written directly to memory.
- If data is written, and the location is in the cache because this location has been read before (a cache hit), the data is written into the cache with zero wait states, and the cache line is marked as 'dirty'.
- If a 'dirty' cache line is about to be discarded because of a cache miss (the cache line needs to be reused for a different memory region), the old line is written back to memory (a cache-line flush).

The cache can be set to data-only, instruction-only or combined (unified) caching. The cache has 16 configurable pages, each 2 MB in range. The pages occupy the bottom 32 MB of the memory map. The virtual address and enable/disable status is configurable for each page.

6.3.2 Features

- 8 kB, 2-way set-associative cache.
- May be used as both an instruction and data cache.
- Zero wait states for a cache hit.
- 16 configurable pages, each 2 MB in range.

6.4 Flash memory and programming

The LPC2888 incorporates 1 MB of flash memory, while the LPC2880 is a flash-less device. The flash memory of the LPC2888 may be used for both code and data storage.

Programming of the flash memory may be accomplished in several ways. It may be programmed In System via the USB port. The application program may also erase and/or program the flash while the application is running, allowing a great degree of flexibility for data storage, field firmware upgrades, etc.

Programming the flash in a running application is accomplished via a register interface on the APB bus. The flash module can generate an interrupt request when burning or erasing is completed.

The flash memory contains a buffer to allow for faster execution. Information is read from the flash 128 bits at a time. The buffer holds this entire amount, which can represent four 32-bit ARM instructions. These captured instructions can then be executed without flash read delays, improving system performance.

6.4.1 Features

- Flash access for processor execution and data read is via the AHB bus.
- Flash programming in a running application is via an APB register interface.
- Initial programming or reprogramming is can be accomplished from the USB port.

6.5 DC-to-DC converters

The LPC2880/2888 include two DC-to-DC converters providing an on-chip power system which allows the device to be powered by a standard single cell battery (AA or AAA for example) as well as receive power from a USB port or other power source.

The LPC2880/2888 need two supply voltages, 3.3 V and 1.8 V, for various internal functions. When power is available from a higher voltage source such as USB, two internal Low Dropout regulators (LDO regulators) reduce the incoming voltage to the level needed by the LPC2880/2888. When only a low voltage battery supply is available, two DC-to-DC converters boost the voltage up to the needed levels. Switching between the two modes is supported.

6.6 External memory controller

The LPC2880/2888 External Memory Controller (EMC) is a multi-port memory controller that supports asynchronous static memory devices such as RAM, ROM and flash, as well as dynamic memories such as Single Data Rate SDRAM. It complies with ARM's AMBA.

6.6.1 Features

- Dynamic memory interface support including single data rate SDRAM.
- Asynchronous static memory device support including RAM, ROM, and flash, with or without asynchronous page mode.
- Low transaction latency.
- Read and write buffers to reduce latency and to improve performance.
- 8-bit and 16-bit static memory support.
- 16-bit SDRAM memory support.
- Static memory features include:
 - Asynchronous page mode read.
 - Programmable wait states.
 - Bus turnaround delay.
 - Output enable and write enable delays.
 - Extended wait.

- 2 MB address range with three chip selects.
- One chip select for synchronous memory and three chip selects for static memory devices.
- Power-saving modes dynamically control CKE and CLKOUT to SDRAMs.
- Dynamic memory self-refresh mode controlled by software.
- Controller supports 2048, 4096, and 8192 row address synchronous memory parts. That is typically 512 MB, 256 MB, and 128 MB parts, with 4, 8, or 16 data lines per device.

Remark: Synchronous static memory devices (synchronous burst mode) are not supported.

6.7 GPIO

Many device pins that are not needed for a specific peripheral function can be used as GPIOs. These pins can be controlled by the mode registers. Pins may be dynamically configured as inputs or outputs. Separate registers allow setting or clearing any number of outputs simultaneously. The current state of the port pins may be read back via the PIN registers.

6.7.1 Features

- 81 pins have dual use as a specific function I/O or as a GPIO.
- Each dual use pin can be programmed for functional I/O, drive high, drive low, or hi-Z/input.
- Four pins are dedicated as GPIO, programmable for drive high, drive low, or hi-Z/input.

6.8 Interrupt controller

The interrupt controller accepts all of the interrupt request inputs and categorizes them as FIQ or IRQ. The programmable assignment scheme means that priorities of interrupts from the various peripherals can be dynamically assigned and adjusted.

FIQ has the highest priority. If more than one request is assigned to FIQ, the interrupt controller combines the requests to produce the FIQ signal to the ARM processor.

The interrupt controller combines the requests from all the vectored IRQs to produce the IRQ signal to the ARM processor. The IRQ service routine can start by reading a register from the interrupt controller and jumping there.

6.8.1 Features

- Maps all LPC2880/2888 interrupt sources to processor FIQ and IRQ
- Level sensitive sources
- Programmable priority among sources
- Nested interrupt capability
- Software interrupt capability for each source

6.9 Event router

88 external and 11 internal LPC2880/2888 signals are connected to the Event Router block. GPIO input pins, functional input pins, and even functional outputs can be monitored by the Event Router.

Each signal can act as an interrupt source or a clock-enable for LPC2880/2888 modules, with individual options for high- or low-level sensitivity or rising- or falling-edge sensitivity. The outputs of the polarity and sensitivity logic can be read from Raw Status Registers 0 to 3.

Each active state is next masked/enabled by a “global” mask bit for that signal. The results can be read from Pending Registers 0 to 3.

All 99 Pending signals are presented to each of the five output logic blocks. Each output logic block includes a set of four Interrupt Output Mask Registers, each set totalling 99 bits, that control whether each signal applies to that output. These are logically ANDed with the corresponding Pending signals, and the 99 results in each logic block are logically ORed to make the output of the block. The 496 results can be read in the Interrupt Output Pending Registers.

Outputs 0 to 3 are routed to the Interrupt Controller, in which each can be individually enabled to cause an interrupt. Output 4 is routed to the Clock Generation Unit, in which it can serve to enable clocking for selected clock domains. The five outputs can be read in the Output Register.

6.10 General purpose timers

The LPC2880/2888 contains two fully independent general purpose timers. Each timer is a 32 bit wide down counter with a selectable prescaler. The prescaler allows either the system clock to be used directly, or the clock to be divided by 16 or 256.

Two modes of operation are available, free-running and periodic timer. In periodic timer mode, the counter will generate an interrupt at a constant interval. In free-running mode the timer will overflow after reaching its zero value and continue to count down from the maximum value.

6.10.1 Features

- Two independent 32-bit timers.
- Free-running or periodic operating modes.
- Generate timed interrupts.

6.11 Watchdog timer

The purpose of the watchdog timer is to interrupt and/or reset the microcontroller within a reasonable amount of time if it enters an erroneous state. When enabled, the watchdog will generate an interrupt or a system reset if the user program fails to reset the watchdog within a predetermined amount of time. Alternatively, it can be used as an additional general purpose Timer.

The WDT clock increments a 32-bit Prescale Counter, the value of which is continually compared to the value of the Prescale Register. When the Prescale Counter matches the Prescale Register at a WDT clock edge, the Prescale Counter is cleared and the 32-bit Timer Counter is incremented. Thus the Prescale facility divides the WDT clock by the value in the Prescale Register plus one.

The value of the Timer Counter is continually compared to the values in two registers called Match Register 0 and 1. When/if the value of the Timer Counter matches that of Match Register 0 at a WDT clock edge, a signal 'm0' can be asserted to the Event Router, which can be programmed to send an interrupt signal to the Interrupt Controller as a result. When/if the value of the Timer Counter matches that of Match Register 1 at a WDT clock edge, a signal 'm1' can be asserted to the CGU, which resets the chip as a result. The CGU also includes a flag to indicate whether a reset is due to a watchdog time-out.

6.11.1 Features

- Optionally resets chip (via Clock Generation Unit) if not periodically reloaded.
- Optional interrupt via Event Router.
- 32-bit Prescaler and 32-bit Counter allow extended watchdog period.

6.12 Real-time clock

The Real-time clock is a set of counters for measuring time when system power is on, and optionally when it is off. It uses little power in either mode.

6.12.1 Features

- Measures the passage of time to maintain a calendar and clock.
- Ultra Low Power design to support battery powered systems.
- Provides Seconds, Minutes, Hours, Day of Month, Month, Year, Day of Week, and Day of Year.
- Dedicated 32 kHz oscillator.
- Dedicated power supply pin can be connected to a battery or to the main 1.8 V.

6.13 General purpose DMA controller

The General Purpose DMA controller (GPDMA) is an AMBA AHB compliant master allowing selected LPC2880/2888 peripherals to have DMA support. Peripherals that can be serviced by the GPDMA channels include the SD/MCI card interface, UART TX and/or RX, the I²C-bus interface, the Simple Analog Out (SAO) front-ends to the I²S/DAO and 16-bit dual DACs, the Simple Analog In (SAI) interfaces for data from the I²S/DAI and 16-bit dual ADCs, and the LCD interface.

6.13.1 Features

- Eight DMA channels. Each channel can support a unidirectional transfer, or a pair of channels can be used together to follow a linked list of buffer addresses and transfer counts.

The GPDMA provides 16 peripheral DMA request lines. Most of these are connected to the peripherals listed above; two can be used for external requests.

- The GPDMA supports a subset of the flow control signals supported by ARM DMA channels, specifically 'single' but not 'burst' operation.
- Memory-to-memory, memory-to-peripheral, peripheral-to-memory, and peripheral-to-peripheral transfers.
- Scatter or gather DMA is supported through the use of linked lists. This means that the source and destination areas do not have to occupy contiguous areas of memory.
- Rotating channel priority. Each DMA channel has equal opportunity to perform transfers.
- The GPDMA is one of three AHB masters in the LPC2880/2888, the others being the ARM7 processor and the USB interface.
- Incrementing or non-incrementing addressing for source and destination.
- Supports 8 bit, 16 bit, and 32 bit wide transactions.
- GPDMA channels can be programmed to swap data between big- and little-endian formats during a transfer.
- An interrupt to the processor can be generated on DMA completion, when a DMA channel is halfway to completion, or when a DMA error has occurred.

6.14 UART and IrDA

The LPC2880/2888 contains one UART with baud rate generator and IrDA support.

6.14.1 Features

- 32-Byte Receive and Transmit FIFOs.
- Register locations conform to the 16C650 industry standard.
- Receiver FIFO trigger points at 1 B, 16 B, 24 B, and 28 B.
- Built-in baud rate generator.
- CGU generates UART clock including fractional divider capability.
- Auto baud capability.
- Optional hardware flow control.
- IrDA mode for infrared communication.

6.15 I²C-bus interface

The LPC2880/2888 I²C-bus interface is byte oriented and has four operating modes: master Transmit mode, master Receive mode, slave Transmit mode and slave Receive mode. The interface complies with the entire *I²C-bus specification*, and allows turning power off to the LPC2880/2888 without causing a problem with other devices on the same I²C-bus.

6.15.1 Features

- Standard I²C-bus interface, configurable as Master, Slave, or Master/Slave.
- Arbitration between simultaneously transmitting masters without corruption of serial data on the bus.
- Programmable clock allows adjustment of I²C-bus transfer rates.
- Bidirectional data transfer between masters and slaves.

- Serial clock synchronization allows devices with different bit rates to communicate via one serial bus.
- Serial clock synchronization can be used as a handshake mechanism to suspend and resume serial transfer.
- Supports normal (100 kHz) and fast (400 kHz) operation.

6.16 10-bit ADC

The LPC2880/2888 contains a single 10-bit successive approximation ADC with five multiplexed channels.

6.16.1 Features

- 10-bit successive approximation ADC.
- Input multiplexing among 5 pins.
- Power-down mode.
- Measurement range 0 V to 3.3 V.
- 10-bit conversion time $\geq 2.44 \mu\text{s}$.
- Single or continuous conversion mode.

6.17 Analog I/O

The analog I/O system includes an I²S-bus input channel, an I²S-bus output channel, a dual ADC, and a dual DAC. Each channel includes a separate 4-sample FIFO.

Each of the two ADC inputs is connected to a Programmable Gain Amplifier (PGA).

Each DAC has two output pins.

6.17.1 Features

- I²S-bus input channel with a 4-sample FIFO for stereo DAI.
- I²S-bus output channel with a 4-sample FIFO for stereo DAO.
- Dual 16-bit ADCs with individual inputs routed through programmable gain amplifiers. Input takes place through a 4-sample FIFO.
- Dual 16-bit DACs. Each DAC has its own output pin. Output takes place through a 4-sample FIFO.

6.18 USB 2.0 Hi-Speed device controller

The USB is a 4-wire bus that supports communication between a host and a number (127 maximum) of peripherals. The host controller allocates the USB bandwidth to attached devices through a token based protocol. The bus supports hot plugging, un-plugging and dynamic configuration of the devices. All transactions are initiated by the host controller.

The host schedules transactions in 1 ms frames. Each frame contains an SOF marker and transactions that transfer data to/from device endpoints. There are four types of transfers defined for the endpoints. Control transfers are used to configure the device. Interrupt transfers are used for periodic data transfer. Bulk transfers are used when rate of transfer is not critical. Isochronous transfers have guaranteed delivery time but no error correction.

The LPC2880/2888 USB controller enables 480 Mbit/s or 12 Mbit/s data exchange with a USB host controller. It includes a USB controller, a DMA engine, and a USB 2.0 ATX physical interface.

The USB controller consists of the protocol engine and buffer management blocks. It includes an SRAM that is accessible to the DMA engine and to the processor via the register interface.

The DMA engine is an AHB master, having direct access to all of ARM memory space but particularly to on-chip RAM. Each USB endpoint that requires its data to be transferred via DMA is allocated to a logical DMA channel in the DMA engine.

Endpoints with small packet sizes can be handled by software via registers in the USB controller. In particular, Control Endpoint 0 is always handled in this way.

6.18.1 Features

- Fully compliant with *USB 2.0 specification* (Hi-Speed and Full-Speed).
- 8 logical endpoints = 16 physical endpoints.
- Supports Control, Bulk, Interrupt and Isochronous endpoints.
- Endpoint type selection by software.
- Endpoint maximum packet size setting by software.
- Supports SoftConnect feature (requires an external 1.5 k Ω resistor between the CONNECT pad and 3.3 V).
- Supports bus-powered capability with low suspend current.
- Two DMA channels, assignable to any of 4 physical endpoints.
- Supports Burst data transfers on the AHB.
- Supports Retry and Split transactions on the AHB.

6.19 SD/MMC card interface

The SD and MCI is an interface between the APB and multimedia and/or secure digital memory cards.

The interface provides all functions specific to the Secure Digital/MultiMedia memory card, such as the clock generation unit, power management control, command, data transfer, interrupt generation, and DMA request generation.

6.19.1 Features

- Conformance to *Multimedia Card Specification v2.11*.
- Conformance to *Secure Digital Memory Card Physical Layer Specification, v0.96*.
- Use as a multimedia card bus or a secure digital memory card bus host. It can be connected to several multimedia cards, or a single secure digital memory card.
- DMA transfers are supported through the Simple DMA facility.

6.20 LCD interface

The LCD interface contains logic to interface to a 6800 or 8080 bus compatible LCD controller. The LCD interface is compatible with the 6800 bus standard and the 8080 bus standard, with one address pin (RS) for selecting the data or instruction register.

The LCD interface makes use of a configurable clock (programmed in the CGU) to adjust the speed of the 6800/8080 bus to the speed of the connected peripheral.

6.20.1 Features

- 8-bit or 4-bit parallel interface mode: 6800-series, 8080-series.
- Selectable bus frequency supports high and low speed LCD controllers.
- Supports polling the busy flag from the LCD controller to avoid CPU polling.
- Contains a 16 B FIFO for sending control and data information to the LCD controller.
- Contains a serial interface which uses the same FIFO for serial transmissions.
- Supports FIFO level flow control to the General Purpose DMA controller.

6.21 Clocking and power control

Clocking in the LPC2880/2888 is controlled by a versatile CGU, so that system and peripheral requirements may be met while allowing optimization of power consumption. Clocks to most functions may be turned off if not needed, and may be enabled and disabled by selected events through the Event Router.

Clock sources include a high frequency (1 MHz to 20 MHz) crystal oscillator and a 32 kHz RTC oscillator. Higher frequency clocks may be generated through the use of two programmable PLLs.

Reset of individual functional blocks is also controlled by the CGU. Full chip reset can be initiated by the external reset pin or by the watchdog timer.

6.21.1 Features

- Power and performance control provided by versatile clock generation to individual functional blocks.
- Multiple clock sources including external crystal and programmable PLLs.
- Individual control of software reset to many functional blocks.

6.21.2 Reset

The LPC2880/2888 has two sources of reset: the $\overline{\text{RESET}}$ pin and the watchdog reset. The $\overline{\text{RESET}}$ pin includes an on-chip pull-up. $\overline{\text{RESET}}$ must remain low at power-up for 1 ms after power supply voltages are stable. This includes on-chip DC-to-DC converter voltages.

When either reset is removed, the processor begins executing at address 0, which is the reset vector. At that point, all of the processor and peripheral registers have been initialized to predetermined values.

The on-chip watchdog timer can cause a chip reset if not updated within a programmable time interval. A status register allows software to determine if a reset was caused by the watchdog timer. The watchdog timer can also be configured to generate an interrupt if desired.

Software reset of many individual functional blocks may be performed via registers within the CGU.

6.21.3 Crystal oscillator

The main oscillator is the basis for the clocks most chip functions use by default. The oscillator may be used with crystal frequencies from 1 MHz to 20 MHz.

6.21.4 PLLs

The LPC2880/2888 includes two PLLs: the main PLL provides clocks to most chip functions, and a high-speed PLL that can be used to generate faster clocks for selected chip functions. Each PLL can be driven from several clock sources. These include the main oscillator (1 MHz to 20 MHz), the RTC oscillator (32 kHz), the bit clock or word select inputs of the I²S input channel, the clock input from the SD/MMC card interface, or the output clock from the other PLL.

The low power PLL takes the input clock and multiplies it up to a higher frequency (by 1 to 32), then divides it down (by 1, 2, 4, or 8) to provide the output clock used by the CGU. The output frequency of this PLL can range from 10 MHz to 320 MHz. Functional blocks may have limitations below this upper limit.

The high-speed PLL takes the input clock, optionally divides it down (by 1 to 256), then multiplies it up to a higher frequency (by 1 to 1024), then divides it down (by 1 to 16) to provide the output clock used by the CGU. The output frequency of this PLL can range from 4.3 MHz to 550 MHz. Functional blocks may have limitations below this upper limit.

6.21.5 Power control and modes

Power control on the LPC2880/2888 is accomplished by detailed control over the clocking of each functional block via the CGU. The LPC2880/2888 includes a very versatile clocking scheme that provides a great deal of control over performance and power usage.

On-chip functions are divided into 11 groups. Each group has a selection for one of several basic clock sources. Graceful (glitch-free) switching between these clock sources is provided.

Three of these functional groups include one fractional divider that allows any rate below the selected clock to be derived. Three other functional groups include more than one fractional divider, allowing several different slower clocks to be generated within the group. Each function within the group can then be assigned to use any one of the generated clocks.

Each function within any group can also be individually turned off by disabling the clock to that function. When added to the versatile clock rate selection, this allows very detailed control of power utilization.

Each function also can be configured to have clocks automatically turned on and off based on a signal from the Event Router.

6.21.6 APBs

Most peripheral functions are accessed by on-chip APBs that are attached to the higher speed AHB. The APBs perform reads and writes to peripheral registers in three peripheral clocks.

6.22 Emulation and debugging

The LPC2880/2888 supports emulation via a dedicated JTAG serial port. The dedicated JTAG port allows debugging of all chip features without impact to any pins that may be used in the application.

Standard ARM EmbeddedICE logic provides on-chip debug support. The debugging of the target system requires a host computer running the debugger software and an EmbeddedICE protocol converter. The EmbeddedICE protocol converter converts the Remote Debug Protocol commands to the JTAG data needed to access the ARM core.

7. Limiting values

Table 5. Limiting values

In accordance with the Absolute Maximum Rating System (IEC 60134).^[1]

Symbol	Parameter	Conditions	Min	Max	Unit	
$V_{DD(1V8)}$	supply voltage (1.8 V)		-0.5	+1.95	V	
$V_{DD(3V3)}$	supply voltage (3.3 V)		-0.5	+4.6	V	
$V_{DD(EMC)}$	external memory controller supply voltage	in 1.8 V range	-0.5	+1.95	V	
		in 3.3 V range	-0.5	+3.6	V	
V_{IA}	analog input voltage		-0.5	$V_{DD(ADC3V3)}$	V	
V_I	input voltage	5 V tolerant pins	[2] [4]	-0.5	+6.0	V
	input voltage	other pins	[2] [3] [4]	-0.5	$V_{DD} + 0.5$	V
I_{DD}	supply current	per supply pin	-	100	mA	
I_{SS}	ground current	per ground pin	-	100	mA	
T_{stg}	storage temperature		-40	+125	°C	
$P_{tot(pack)}$	total power dissipation (per package)		[5]	-	1.5	W
V_{esd}	electrostatic discharge voltage	human body model	[6]			
		all pins		-1000	+1000	V

[1] The following applies to [Table 5](#):

- a) This product includes circuitry specifically designed for the protection of its internal devices from the damaging effects of excessive static charge. Nonetheless, it is suggested that conventional precautions be taken to avoid applying greater than the rated maximum.
- b) Parameters are valid over operating temperature range unless otherwise specified. All voltages are with respect to V_{SS} unless otherwise noted.

[2] All inputs are 5 V tolerant except external memory bus and USB pins.

[3] Referenced to the applicable V_{DD} for the pin. Not to exceed 4.6 V.

[4] Including voltage on outputs in 3-state mode.

[5] Based on package heat transfer, not device power consumption.

[6] Human body model: equivalent to discharging a 100 pF capacitor through a 1.5 k Ω series resistor.

8. Static characteristics

Table 6. Static characteristics
T_{amb} = -40 °C to +85 °C, unless otherwise specified.

Symbol	Parameter	Conditions	Min	Typ ^[1]	Max	Unit
V _{DD(1V8)}	supply voltage (1.8 V)		[2] 1.7	1.8	1.95	V
V _{DD(3V3)}	supply voltage (3.3 V)		[3] 3	3.3	3.6	V
V _{DDA(3V3)}	analog supply voltage (3.3 V)		[4] 3	3.3	3.6	V
V _{DD(EMC)}	external memory controller supply voltage	in 1.8 V range	[5] 1.7	1.8	1.95	V
		in 3.3 V range	[5] 2.7	3.3	3.6	V
Standard pins						
I _{IL}	LOW-level input current	V _I = 0 V; no pull-up	-	-	1	μA
I _{IH}	HIGH-level input current	V _I = V _{DD} ; no pull-down	[6] -	-	1	μA
I _{OZ}	OFF-state output current	V _O = 0 V; V _O = V _{DD} ; no pull-up/down	[6] -	-	1	μA
V _{hys(i)}	input hysteresis voltage		300	-	-	mV
I _{latch}	I/O latch-up current	-(1.5V _{DD}) < V _I < (1.5V _{DD})	[6] -	-	100	mA
V _I	input voltage		[6][7] 0	-	V _{DD}	V
			[6][7][10] 0	-	5.5	V
V _{IH}	HIGH-level input voltage		[8] 1.6	-	-	V
			[9] 2.0	-	-	V
V _{IL}	LOW-level input voltage		[8] -	-	0.6	V
			[9] -	-	0.8	V
V _{OH}	HIGH-level output voltage	I _{OH} = -1 mA	[8][11] V _{DD} - 0.4	-	-	V
		I _{OH} = -4 mA	[9][11] V _{DD} - 0.4	-	-	V
V _{OL}	LOW-level output voltage	I _{OL} = 4 mA	[8][11] -	-	0.4	V
		I _{OL} = 4 mA	[9][11] -	-	0.4	V
I _{OH}	HIGH-level output current	V _{OH} = V _{DD} - 0.4 V	[6][11] -	-4	-	mA
I _{OL}	LOW-level output current	V _{OL} = 0.4 V	[6][11] -	4	-	mA
I _{OHS}	HIGH-level short-circuit output current	V _{OH} = 0 V	[12] -	-45	-	mA
I _{OLS}	LOW-level short-circuit output current	V _{OL} = V _{DD}	[6][12] -	50	-	mA
I _{pu}	pull-up current	V _I = 0 V	[6] -13	-36	-50	μA
		V _{DD} < V _I < 5.5 V	[6][10] -	0	-	μA
I _{pd}	pull-down current	V _I = V _{DD}	[6] 20	50	75	μA
I²C-bus pins						
V _{IH}	HIGH-level input voltage		3.5	-	-	V
V _{IL}	LOW-level input voltage		-	-	1.5	V
V _{hys(i)}	input hysteresis voltage		250	-	-	mV
V _{OL}	LOW-level output voltage	I _{OL} = 3 mA	-	-	0.4	V
I _{LI}	input leakage current	V _I = V _{DD}	[6] -	2	4	μA
		V _I = 5 V	-	10	22	μA

Table 6. Static characteristics ...continued $T_{amb} = -40\text{ }^{\circ}\text{C}$ to $+85\text{ }^{\circ}\text{C}$, unless otherwise specified.

Symbol	Parameter	Conditions	Min	Typ ^[1]	Max	Unit
Oscillator pins						
$V_{i(xtal)}$	crystal input voltage	on pins XTALI and X32I	0	-	1.8	V
$V_{o(xtal)}$	crystal output voltage	on pins XTALO and X32O	0	-	1.8	V
DC-to-DC converter						
V_{BAT}	battery supply voltage		0.9	1.2	1.6	V
$V_{O(DCDC1)}$	DC-to-DC converter 1 output voltage	$V_{BAT} = 1.2\text{ V}$; $I_{L(DCDC1)(max)} = 100\text{ mA}$	-	3.2	-	V
$I_{L(DCDC1)(max)}$	maximum DC-to-DC converter 1 load current		-	100	-	mA
$f_{i(clk)(DCDC1)}$	DC-to-DC converter 1 clock input frequency		-	12	-	MHz
$V_{O(DCDC2)}$	DC-to-DC converter 2 output voltage	$V_{BAT} = 1.2\text{ V}$; $I_{L(DCDC2)(max)} = 90\text{ mA}$	-	1.83	-	V
$I_{L(DCDC2)(max)}$	maximum DC-to-DC converter 2 load current		-	90	-	mA
$f_{i(clk)(DCDC2)}$	DC-to-DC converter 2 clock input frequency		-	12	-	MHz
V_{USB}	USB supply voltage		4.0	5.0	5.5	V
$V_{O(LDO1)}$	LDO1 output voltage	$V_{USB} = 5.0\text{ V}$; $I_{L(LDO1)(max)} = 150\text{ mA}$	-	3.4	-	V
$I_{L(LDO1)(max)}$	maximum LDO1 load current		-	150	-	mA
$V_{O(LDO2)}$	LDO2 output voltage	$V_{USB} = 5.0\text{ V}$; $I_{L(LDO2)(max)} = 100\text{ mA}$	-	1.88	-	V
$I_{L(LDO2)(max)}$	maximum LDO2 load current		-	100	-	mA
Power consumption						
$I_{DD(CORE)}$	core supply current	$V_{DD} = 1.8\text{ V}$	[13]	-	60	mA
$I_{DD(EMC)}$	external memory controller supply current	$V_{DD(EMC)} = 1.8\text{ V}$; HCLK = 18 MHz	[14]	-	1.2	mA
		$V_{DD(EMC)} = 3.3\text{ V}$; HCLK = 36 MHz	[14]	-	2.2	mA
I_{BAT}	battery supply current	$V_{DCDC_VBAT} = 1.2\text{ V}$	-	130	-	mA
		powered down	-	18	-	μA
$I_{CC(osc)}$	oscillator supply current	oscillator running	[15]	-	300	μA
		oscillator powered down	[15]	-	10	μA
$I_{DD(RTC)}$	RTC supply current	oscillator running	[16]	-	300	μA
		oscillator powered down	[16]	-	10	μA
$I_{DD(ADC)}$	ADC supply current	normal	[17]	-	400	μA
		powered down	[17]	-	< 1	μA
I_{DDIA}	analog input supply current	normal	[18]	-	6	mA
		powered down	[18]	-	10	μA
$I_{DDO(DAC)}$	DAC output supply current	normal	[19]	-	0.7	mA
		powered down	[19]	-	10	μA

Table 6. Static characteristics ...continued*T_{amb} = -40 °C to +85 °C, unless otherwise specified.*

Symbol	Parameter	Conditions	Min	Typ ^[1]	Max	Unit
Power consumption (battery supplies voltage)						
I _{BAT}	battery supply current	stop mode	[20] -	17.7	-	μA
Power consumption (DC-to-DC converter supplies voltage)						
I _{DD}	supply current	32.768 kHz oscillator runs; 12 MHz oscillator stops; DC-to-DC converter supplies 1.8 V	[20] -	0.20	-	mA
I _{DD}	supply current	32.768 kHz oscillator stops; 12 MHz oscillator runs; DC-to-DC converter supplies 1.8 V	[20] -	0.99	-	mA
I _{DD}	supply current	32.768 kHz oscillator runs; 12 MHz oscillator stops; DC-to-DC converter supplies 3.3 V	[20] -	0.79	-	mA
I _{DD}	supply current	32.768 kHz oscillator stops; 12 MHz oscillator runs; DC-to-DC converter supplies 3.3 V	[20] -	0.79	-	mA
Power consumption (LDO regulator supplies voltage)						
I _{DD}	supply current	32.768 kHz oscillator runs; 12 MHz oscillator stops; LDO regulator supplies 1.8 V	[20] -	1.61	-	mA
I _{DD}	supply current	32.768 kHz oscillator stops; 12 MHz oscillator runs; LDO regulator supplies 1.8 V	[20] -	2.47	-	mA
I _{DD}	supply current	32.768 kHz oscillator runs; 12 MHz oscillator stops; LDO regulator supplies 3.3 V	[20] -	3.12	-	mA
I _{DD}	supply current	32.768 kHz oscillator stops; 12 MHz oscillator runs; LDO regulator supplies 3.3 V	[20] -	3.12	-	mA
Power consumption (external DC-to-DC converter supplies voltage)						
I _{DD}	supply current	32.768 kHz oscillator runs; 12 MHz oscillator stops; external DC-to-DC converter supplies 1.8 V	[20] -	0.20	-	mA

Table 6. Static characteristics ...continued $T_{amb} = -40\text{ }^{\circ}\text{C}$ to $+85\text{ }^{\circ}\text{C}$, unless otherwise specified.

Symbol	Parameter	Conditions	Min	Typ ^[1]	Max	Unit
I_{DD}	supply current	32.768 kHz oscillator stops; 12 MHz oscillator runs; external DC-to-DC converter supplies 1.8 V	[20] -	0.97	-	mA
I_{DD}	supply current	32.768 kHz oscillator runs; 12 MHz oscillator stops; external DC-to-DC converter supplies 3.3 V	[20] -	1.27	-	mA
I_{DD}	supply current	32.768 kHz oscillator stops; 12 MHz oscillator runs; external DC-to-DC converter supplies 3.3 V	[20] -	1.27	-	mA

- [1] Typical ratings are not guaranteed. The values listed are at room temperature ($+25\text{ }^{\circ}\text{C}$), nominal supply voltages.
- [2] Applies to pins $V_{DD1}(\text{CORE1V8})$, $V_{DD2}(\text{CORE1V8})$, $V_{DD}(\text{DADC1V8})$, $V_{DD1}(\text{FLASH1V8})$, $V_{DD2}(\text{FLASH1V8})$, $V_{DD}(\text{OSC1V8})$, $V_{DD}(\text{OSC321V8})$, $V_{DD1}(\text{USB1V8})$, $V_{DD2}(\text{USB1V8})$.
- [3] External supply voltage; applies to pins $V_{DD3}(\text{USB3V3})$, $V_{DD4}(\text{USB3V3})$, $V_{DD1}(\text{IO3V3})$, $V_{DD2}(\text{IO3V3})$, $V_{DD3}(\text{IO3V3})$, $V_{DD4}(\text{IO3V3})$.
- [4] Applies to pins $V_{DD}(\text{DADC3V3})$, $V_{DD}(\text{ADC3V3})$, $V_{DD}(\text{DAC3V3})$, $V_{DD5}(\text{IO3V3})$, $V_{DD6}(\text{IO3V3})$.
- [5] External supply voltage; applies to pins $V_{DD1}(\text{EMC})$, $V_{DD2}(\text{EMC})$.
- [6] Referenced to the applicable V_{DD} for the pin, which must be present.
- [7] Including voltage on outputs in 3-state mode.
- [8] Applies to pins with a V_{DD} supply of 1.8 V.
- [9] Applies to pins with a V_{DD} supply of 3.3 V.
- [10] Applies to 5 V tolerant pins.
- [11] Accounts for 100 mV voltage drop in all supply lines.
- [12] Only allowed for a short time period.
- [13] Applies to pins $V_{DD1}(\text{CORE1V8})$, $V_{DD2}(\text{CORE1V8})$, $V_{DD1}(\text{FLASH1V8})$, $V_{DD2}(\text{FLASH1V8})$
- [14] Applies to pins $V_{DD1}(\text{EMC})$, $V_{DD2}(\text{EMC})$.
- [15] Applies to pin $V_{DD}(\text{OSC1V8})$.
- [16] Applies to pin $V_{DD}(\text{OSC321V8})$.
- [17] Applies to pin $V_{DD}(\text{ADC3V3})$.
- [18] Applies to pins $V_{DD}(\text{DADC1V8})$, $V_{DD}(\text{DADC3V3})$.
- [19] Applies to pin $V_{DD}(\text{DAC3V3})$.
- [20] All the above tests were done on the Ictech LPC288x evaluation board. Here are the different configurations that need to be done to achieve the above numbers:
- Resistors R7 and R8 on the board should be removed to reduce the power consumption on the LED's D2 and D3.
 - The Analog-to-Digital Converter (ADC), the Dual-channel 16-bit Analog-to-Digital Converter and the Dual-channel 16-bit Digital-to-Analog Converter are powered down.
 - The USB device controller is suspended.
 - All power control registers in the Clock Generation Unit have a value of 7h, and the Power Mode register in the Clock Generation Unit has a value of 3h such that the output clocks of all spreading stages are disabled.
 - The floating pins are set to output state.
 - The Event Router is configured in such a way that it will generate its wake-up output to the Clock Generation Unit with a rising-edge signal on the MODE1/P2[2] or the MODE2/P2[3].

9. Dynamic characteristics

Table 7. Dynamic characteristics

$T_{amb} = -40\text{ }^{\circ}\text{C}$ to $+85\text{ }^{\circ}\text{C}$, unless otherwise specified.^[1]

Symbol	Parameter	Conditions	Min	Typ	Max	Unit
External clock						
f_{ext}	external clock frequency		[2] 1	12	20	MHz
Port pins						
t_r	rise time		-	5	-	ns
t_f	fall time		-	5	-	ns

[1] Parameters are valid over operating temperature range unless otherwise specified.

[2] Supplied by an external crystal.

Table 8. Dynamic characteristics: static external memory interface $C_L = 25 \text{ pF}$, $T_{amb} = 20 \text{ }^\circ\text{C}$, $V_{DD1(EMC)} = V_{DD2(EMC)} = 3.3 \text{ V}$ and 1.8 V .

Symbol	Parameter	Conditions	Min	Typ	Max	Unit
Common to read and write cycles						
t_{CSLAV}	\overline{CS} LOW to address valid time		-	0	-	ns
Read cycle parameters						
t_{OELAV}	\overline{OE} LOW to address valid time		[1]	0 – WAITOEN × HCLK	-	ns
t_{BLSLAV}	\overline{BLS} LOW to address valid time		[1]	0 – WAITOEN × HCLK	-	ns
t_{CSLOEL}	\overline{CS} LOW to \overline{OE} LOW time		-	0 + WAITOEN × HCLK	-	ns
t_{CSLBSL}	\overline{CS} LOW to \overline{BLS} LOW time		[1]	0 + WAITOEN × HCLK	-	ns
t_{OELOEH}	\overline{OE} LOW to \overline{OE} HIGH time		[1][2][3]	(WAITRD – WAITOEN + 1) × HCLK	-	ns
$t_{BLSLBSH}$	\overline{BLS} LOW to \overline{BLS} HIGH time		[1][2][3]	(WAITRD – WAITOEN + 1) × HCLK	-	ns
$t_{su(DQ)}$	data input/output set-up time		-	33.3	-	ns
$t_{h(DQ)}$	data input/output hold time		-	0	-	ns
t_{CSHOEH}	\overline{CS} HIGH to \overline{OE} HIGH time		-	0	-	ns
t_{CSHBSH}	\overline{CS} HIGH to \overline{BLS} HIGH time		-	0	-	ns
t_{OEHANV}	\overline{OE} HIGH to address invalid time		-	2 × HCLK	-	ns
$t_{BLSHANV}$	\overline{BLS} HIGH to address invalid time		-	2 × HCLK	-	ns
Write cycle parameters						
t_{CSLDV}	\overline{CS} LOW to data valid time		-	0	-	ns
t_{CSLWEL}	\overline{CS} LOW to \overline{WE} LOW time		[4]	(WAITWEN + 1) × HCLK	-	ns
t_{CSLBSL}	\overline{CS} LOW to \overline{BLS} LOW time		[4]	WAITWEN × HCLK	-	ns
t_{WELDV}	\overline{WE} LOW to data valid time		[4]	0 – (WAITWEN + 1) × HCLK	-	ns
t_{WELWEH}	\overline{WE} LOW to \overline{WE} HIGH time		[4][5][6]	(WAITWR – WAITWEN + 1) × HCLK	-	ns
$t_{BLSLBSH}$	\overline{BLS} LOW to \overline{BLS} HIGH time		[4][5]	(WAITWR – WAITWEN + 3) × HCLK	-	ns
t_{WEHANV}	\overline{WE} HIGH to address invalid time		-	1 × HCLK	-	ns
t_{WEHDNV}	\overline{WE} HIGH to data invalid time		-	1 × HCLK	-	ns
$t_{BLSHANV}$	\overline{BLS} HIGH to address invalid time		-	0	-	ns
$t_{BLSHDNV}$	\overline{BLS} HIGH to data invalid time		-	0	-	ns

[1] Refer to the *LPC2800 user manual UM10208_2* for the programming of WAITOEN and HCLK.[2] Refer to the *LPC2800 user manual UM10208_2* for the programming of WAITRD and HCLK.

[3] (WAITRD – WAITOEN + 1) = 3 min at 60 MHz.

[4] Refer to the *LPC2800 user manual UM10208_2* for the programming of WAITWEN and HCLK.[5] Refer to the *LPC2800 user manual UM10208_2* for the programming of WAITWR and HCLK.

[6] (WAITWR – WAITWEN + 1) = 3 min at 60 MHz.

Table 9. Dynamic characteristics: dynamic external memory interface $C_L = 25 \text{ pF}$, $T_{amb} = 20 \text{ }^\circ\text{C}$, $V_{DD1(EMC)} = V_{DD2(EMC)} = 3.3 \text{ V}$.

Symbol	Parameter	Conditions	Min	Typ	Max	Unit
Read cycle parameters^[1]						
t _{CHCX}	clock HIGH time		-	11.1	-	ns
t _{CLCX}	clock LOW time		-	11.1	-	ns
T _{CLCL}	clock cycle time		-	27.8	-	ns
t _{su(S)}	chip select set-up time		-	7.5	-	ns
t _{h(S)}	chip select hold time		-	3.5	-	ns
t _{su(RAS)}	row address strobe set-up time		-	7.5	-	ns
t _{h(RAS)}	row address strobe hold time		-	3.5	-	ns
t _{su(CAS)}	column address strobe set-up time		-	7.5	-	ns
t _{h(CAS)}	column address strobe hold time		-	3.5	-	ns
t _{su(G)}	output enable set-up time		-	7.5	-	ns
t _{h(G)}	output enable hold time		-	3.5	-	ns
t _{su(A)}	address set-up time		-	7.5	-	ns
t _{h(A)}	address hold time		-	3.5	-	ns
t _{su(DQ)}	data input/output set-up time		-	23.5	-	ns
t _{h(DQ)}	data input/output hold time		-	3.5	-	ns
Write cycle parameters^[2]						
t _{CHCX}	clock HIGH time		-	11.1	-	ns
t _{CLCX}	clock LOW time		-	11.1	-	ns
T _{CLCL}	clock cycle time		-	27.8	-	ns
t _{su(S)}	chip select set-up time		-	7.5	-	ns
t _{h(S)}	chip select hold time		-	3.5	-	ns
t _{su(RAS)}	row address strobe set-up time		-	7.5	-	ns
t _{h(RAS)}	row address strobe hold time		-	3.5	-	ns
t _{su(CAS)}	column address strobe set-up time		-	7.5	-	ns
t _{h(CAS)}	column address strobe hold time		-	3.5	-	ns
t _{su(W)}	write set-up time		-	7.5	-	ns
t _{h(W)}	write hold time		-	3.5	-	ns
t _{su(DQM)}	DQM set-up time		-	7.5	-	ns
t _{h(DQM)}	DQM hold time		-	3.5	-	ns
t _{su(A)}	address set-up time		-	7.5	-	ns
t _{h(A)}	address hold time		-	3.5	-	ns
t _{su(DQ)}	data input/output set-up time		-	16.5	-	ns
t _{h(DQ)}	data input/output hold time		-	10.5	-	ns

[1] CKE is HIGH during the read cycle.

[2] CKE is HIGH during the write cycle

Table 10. Dynamic characteristics: dynamic external memory interface $C_L = 25 \text{ pF}$, $T_{amb} = 20 \text{ }^\circ\text{C}$, $V_{DD1(EMC)} = V_{DD2(EMC)} = 1.8 \text{ V}$.

Symbol	Parameter	Conditions	Min	Typ	Max	Unit
Read cycle parameters^[1]						
t _{CHCX}	clock HIGH time		-	23	-	ns
t _{CLCX}	clock LOW time		-	23	-	ns
T _{CLCL}	clock cycle time		-	55.6	-	ns
t _{su(S)}	chip select set-up time		-	40	-	ns
t _{h(S)}	chip select hold time		-	3.5	-	ns
t _{su(RAS)}	row address strobe set-up time		-	40	-	ns
t _{h(RAS)}	row address strobe hold time		-	3.5	-	ns
t _{su(CAS)}	column address strobe set-up time		-	40	-	ns
t _{h(CAS)}	column address strobe hold time		-	3.5	-	ns
t _{su(G)}	output enable set-up time		-	40	-	ns
t _{h(G)}	output enable hold time		-	3.5	-	ns
t _{su(A)}	address set-up time		-	36	-	ns
t _{h(A)}	address hold time		-	19.5	-	ns
t _{su(DQ)}	data input/output set-up time		-	51.5	-	ns
t _{h(DQ)}	data input/output hold time		-	4	-	ns
Write cycle parameters^[2]						
t _{CHCX}	clock HIGH time		-	23	-	ns
t _{CLCX}	clock LOW time		-	23	-	ns
T _{CLCL}	clock cycle time		-	55.6	-	ns
t _{su(S)}	chip select set-up time		-	40	-	ns
t _{h(S)}	chip select hold time		-	3.5	-	ns
t _{su(RAS)}	row address strobe set-up time		-	40	-	ns
t _{h(RAS)}	row address strobe hold time		-	3.5	-	ns
t _{su(CAS)}	column address strobe set-up time		-	40	-	ns
t _{h(CAS)}	column address strobe hold time		-	3.5	-	ns
t _{su(W)}	write set-up time		-	40	-	ns
t _{h(W)}	write hold time		-	3.5	-	ns
t _{su(DQM)}	DQM set-up time		-	40	-	ns
t _{h(DQM)}	DQM hold time		-	3.5	-	ns
t _{su(A)}	address set-up time		-	36	-	ns
t _{h(A)}	address hold time		-	19.5	-	ns
t _{su(DQ)}	data input/output set-up time		-	31	-	ns
t _{h(DQ)}	data input/output hold time		-	24.5	-	ns

[1] CKE is HIGH during the read cycle.

[2] CKE is HIGH during the write cycle.

9.1 Timing

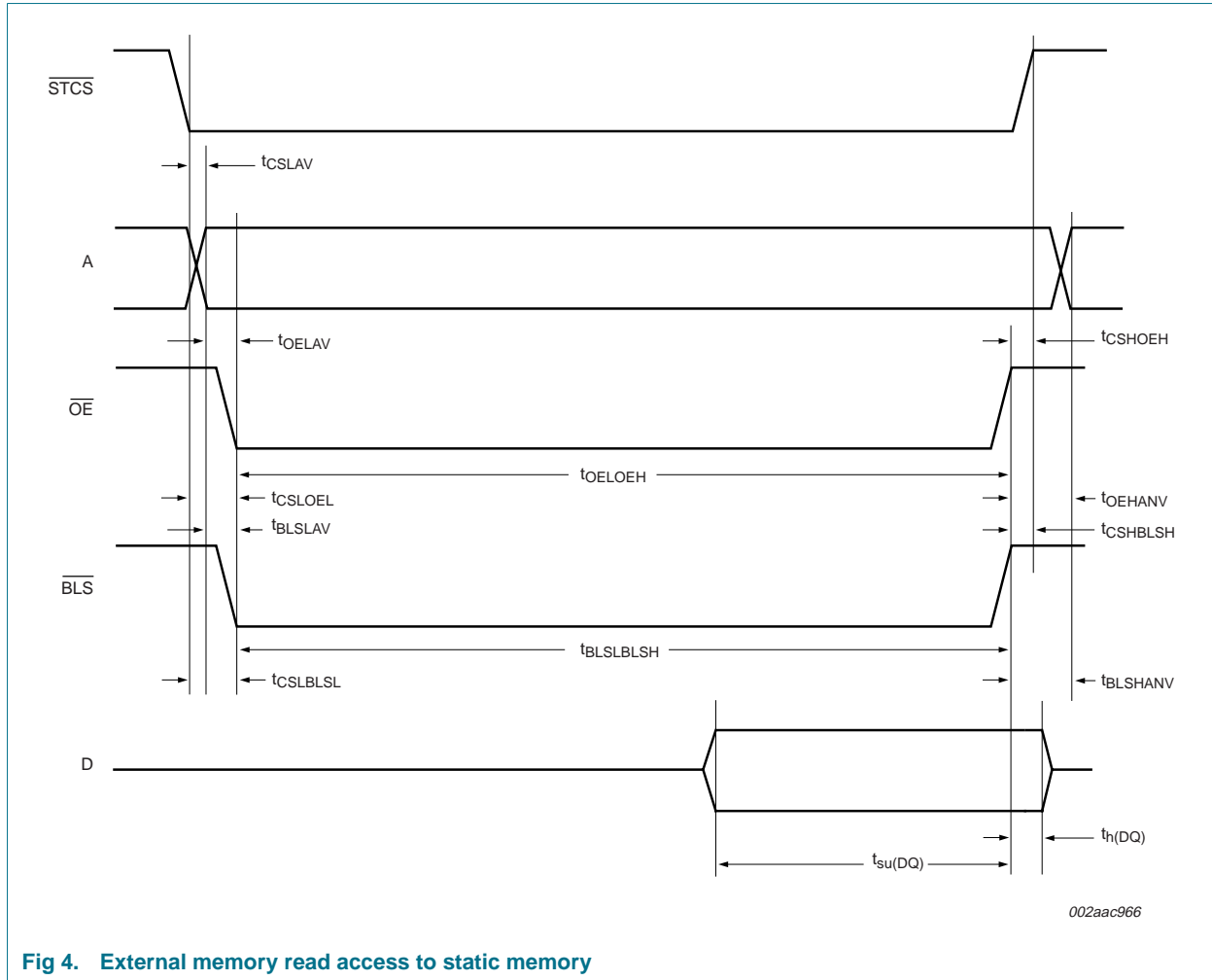


Fig 4. External memory read access to static memory

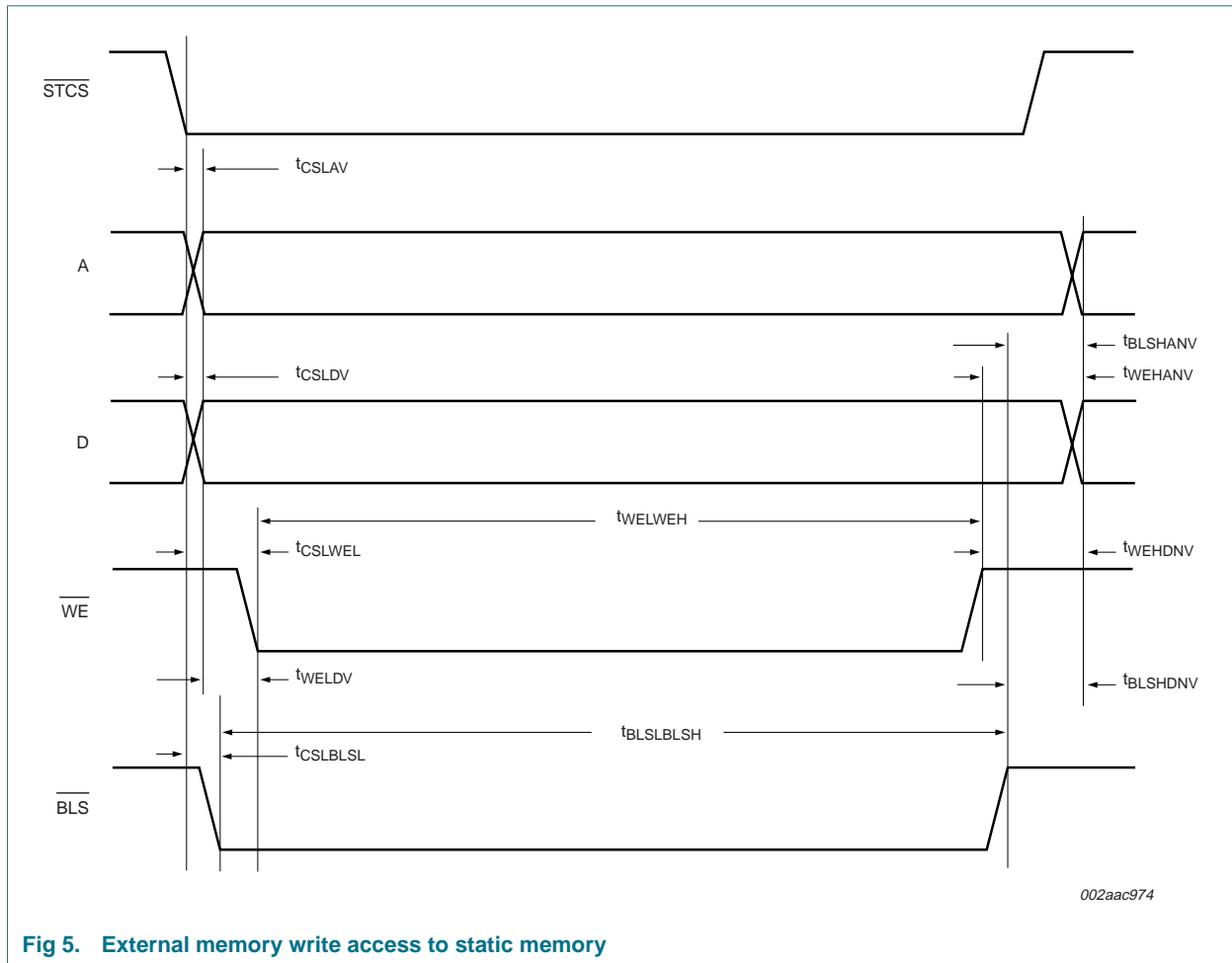


Fig 5. External memory write access to static memory

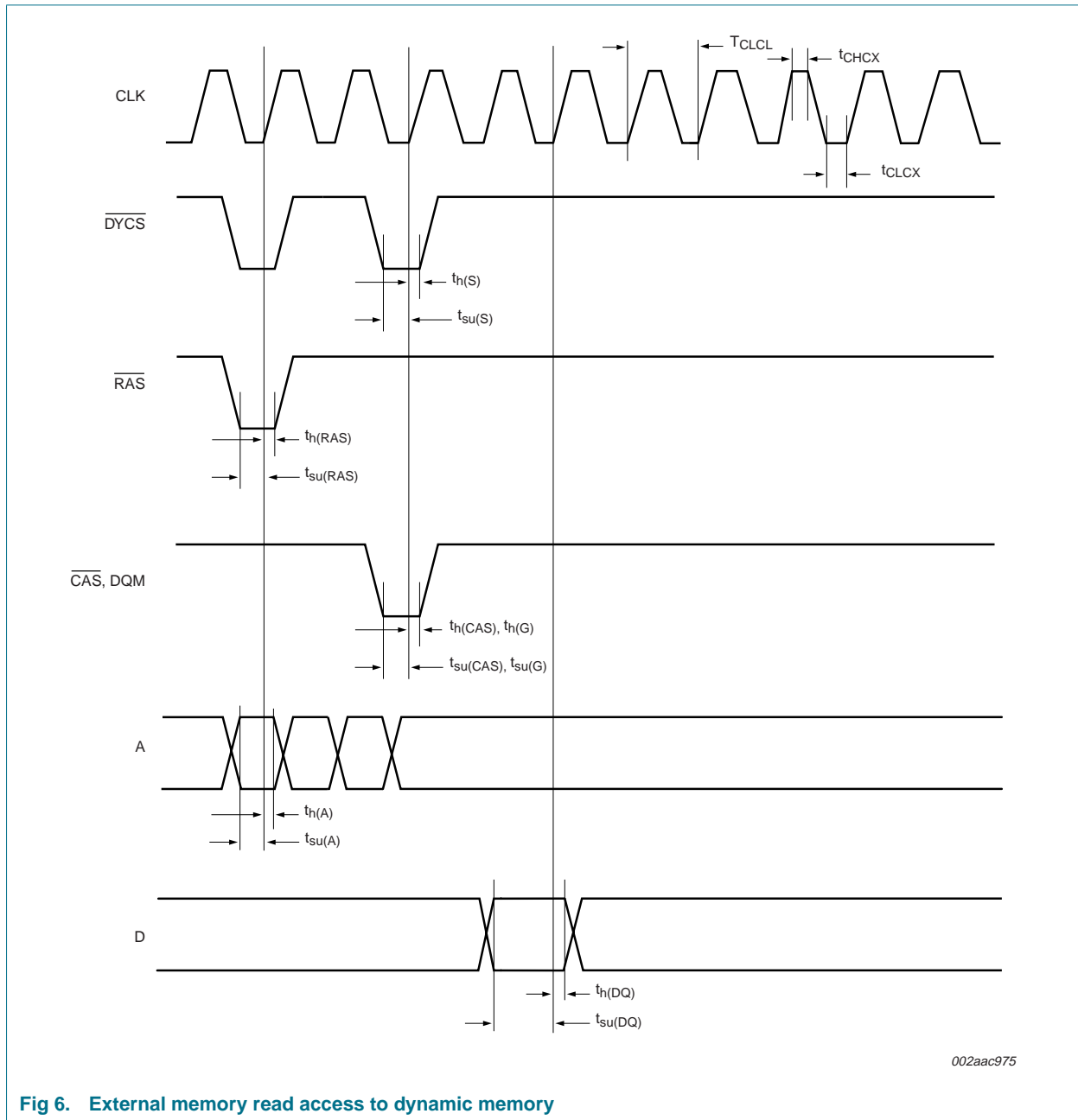


Fig 6. External memory read access to dynamic memory

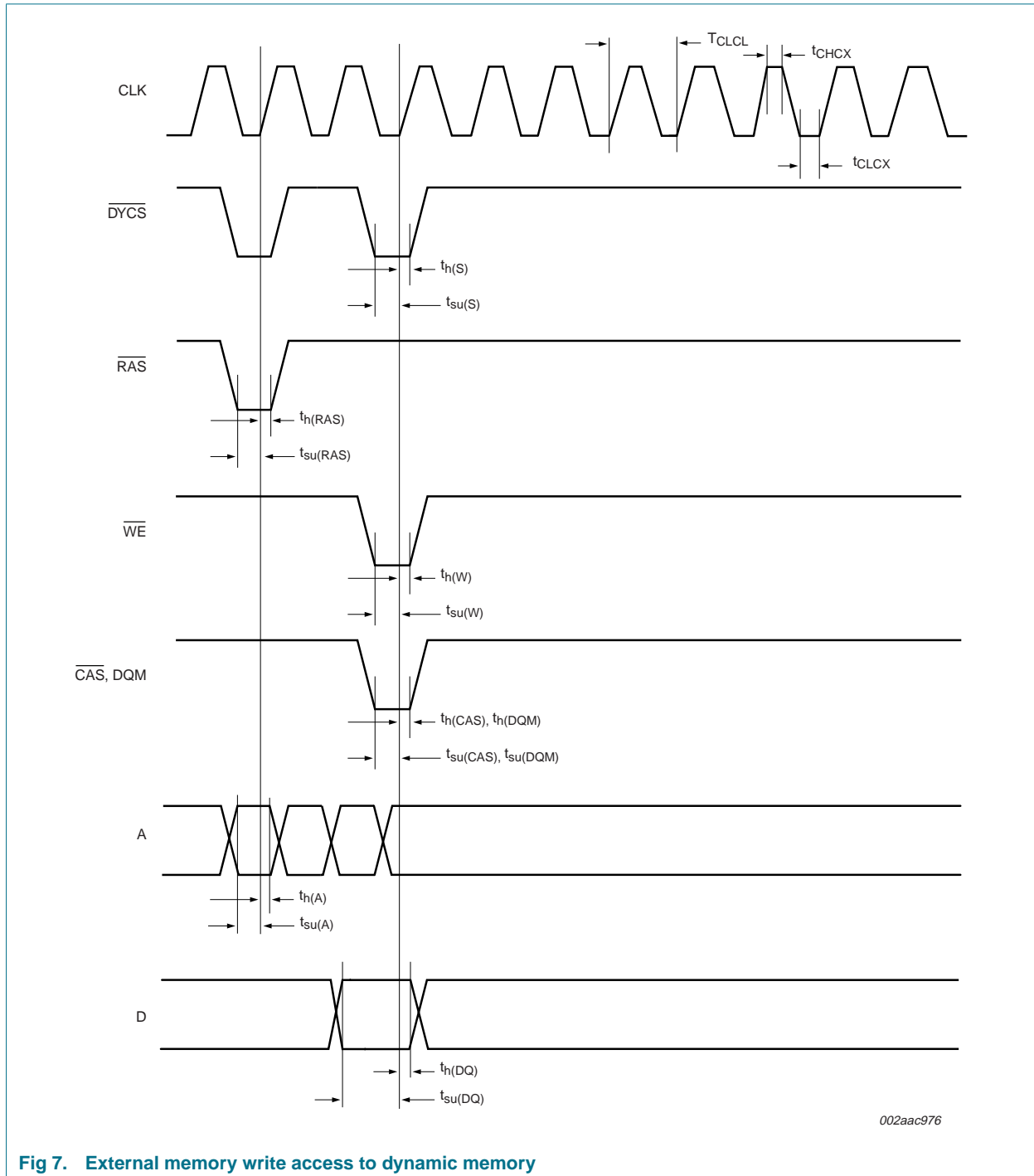


Fig 7. External memory write access to dynamic memory

10. Package outline

TFBGA180: plastic thin fine-pitch ball grid array package; 180 balls; body 10 x 10 x 0.8 mm

SOT640-1

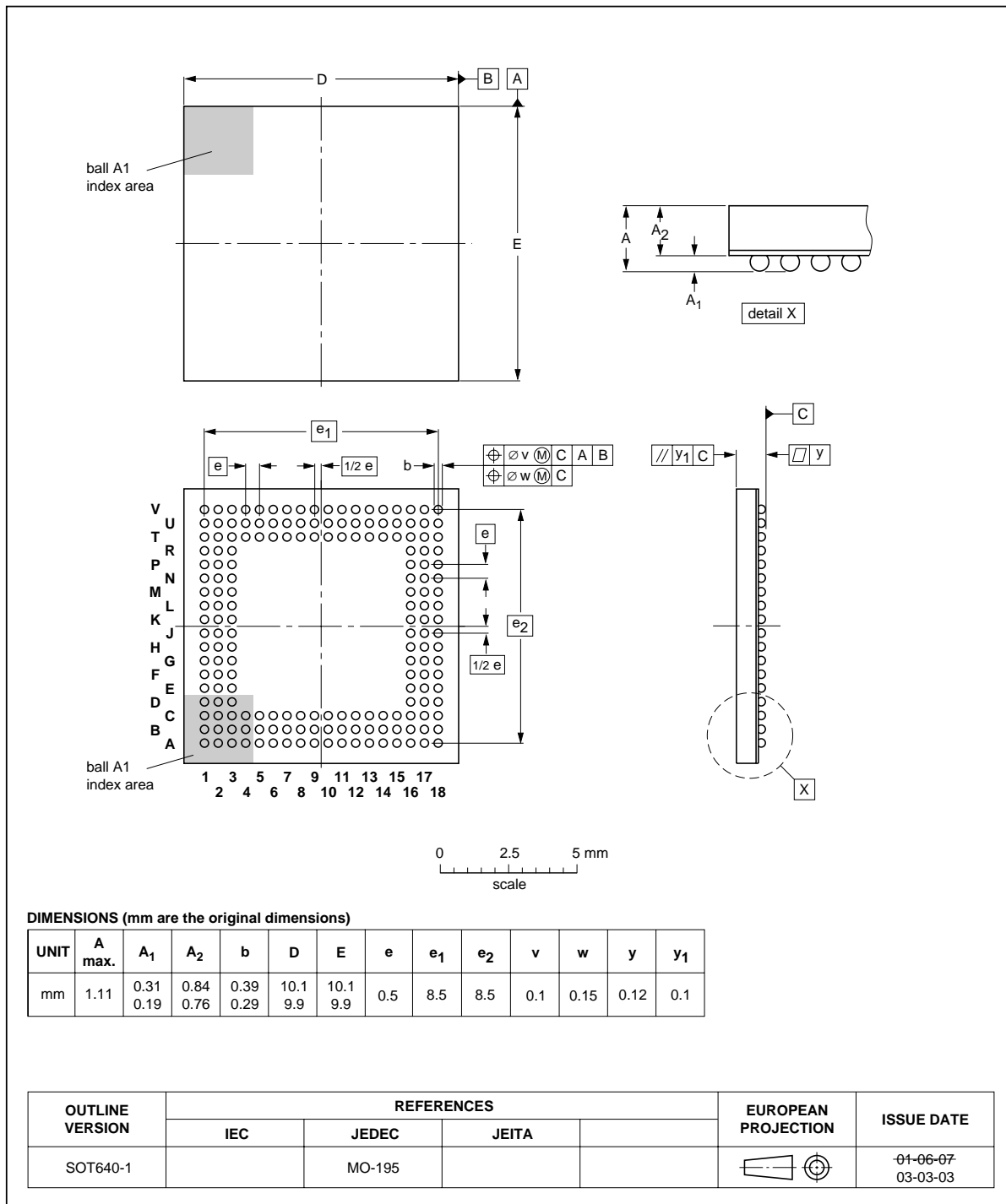


Fig 8. Package outline SOT640-1 (TFBGA180)

11. Abbreviations

Table 11. Acronym list

Acronym	Description
ADC	Analog-to-Digital Converter
AMBA	Advanced Microcontroller Bus Architecture
AHB	Advanced High-performance Bus
APB	Advanced Peripheral Bus
CISC	Complex Instruction Set Computer
CGU	Clock Generation Unit
DAC	Digital-to-Analog Converter
DMA	Direct Memory Access
DAI	Digital Audio Input
DAO	Digital Audio Output
FIQ	Fast Interrupt Request
GPIO	General Purpose Input/Output
IrDA	Infrared Data Association
IRQ	Interrupt Request
JTAG	Joint Test Action Group
LCD	Liquid Crystal Display
MCI	Multimedia Card Interface
PLL	Phase-Locked Loop
RISC	Reduced Instruction Set Computer
SD	Secure Digital
SD/MMC	Secure Digital/MultiMedia Card
SDRAM	Synchronous Dynamic Random Access Memory
SOF	Start Of Frame
SRAM	Static Random Access Memory
UART	Universal Asynchronous Receiver/Transmitter
USB	Universal Serial Bus
WDT	WatchDog Timer

12. Revision history

Table 12. Revision history

Document ID	Release date	Data sheet status	Change notice	Supersedes
LPC2880_LPC2888_3	20080417	Preliminary data sheet	-	LPC2880_2888_2
Modifications:		<ul style="list-style-type: none"> • Table 1 “Ordering information”; added /01 and /D1 parts. • Table 2 “Ordering options”; added JTAG interface column to show the difference between /01 and /D1 devices. • Table 5; ESD specification added. • Table 6; DC-to-DC converter and power consumption characteristics added. • Table 8, Table 9, Table 10; external memory interface dynamic characteristics added. • Figure 1, changed ‘ARM7TDMI-S’ to ‘ARM7TDMI’. • Figure 4, Figure 5, Figure 6, Figure 7; external memory interface timing diagrams added. 		
LPC2880_LPC2888_2	20061121	Preliminary data sheet	-	LPC2880_LPC2888_1
LPC2880_LPC2888_1	20060622	Preliminary data sheet	-	-

13. Legal information

13.1 Data sheet status

Document status ^{[1][2]}	Product status ^[3]	Definition
Objective [short] data sheet	Development	This document contains data from the objective specification for product development.
Preliminary [short] data sheet	Qualification	This document contains data from the preliminary specification.
Product [short] data sheet	Production	This document contains the product specification.

[1] Please consult the most recently issued document before initiating or completing a design.

[2] The term 'short data sheet' is explained in section "Definitions".

[3] The product status of device(s) described in this document may have changed since this document was published and may differ in case of multiple devices. The latest product status information is available on the Internet at URL <http://www.nxp.com>.

13.2 Definitions

Draft — The document is a draft version only. The content is still under internal review and subject to formal approval, which may result in modifications or additions. NXP Semiconductors does not give any representations or warranties as to the accuracy or completeness of information included herein and shall have no liability for the consequences of use of such information.

Short data sheet — A short data sheet is an extract from a full data sheet with the same product type number(s) and title. A short data sheet is intended for quick reference only and should not be relied upon to contain detailed and full information. For detailed and full information see the relevant full data sheet, which is available on request via the local NXP Semiconductors sales office. In case of any inconsistency or conflict with the short data sheet, the full data sheet shall prevail.

13.3 Disclaimers

General — Information in this document is believed to be accurate and reliable. However, NXP Semiconductors does not give any representations or warranties, expressed or implied, as to the accuracy or completeness of such information and shall have no liability for the consequences of use of such information.

Right to make changes — NXP Semiconductors reserves the right to make changes to information published in this document, including without limitation specifications and product descriptions, at any time and without notice. This document supersedes and replaces all information supplied prior to the publication hereof.

Suitability for use — NXP Semiconductors products are not designed, authorized or warranted to be suitable for use in medical, military, aircraft, space or life support equipment, nor in applications where failure or malfunction of an NXP Semiconductors product can reasonably be expected

to result in personal injury, death or severe property or environmental damage. NXP Semiconductors accepts no liability for inclusion and/or use of NXP Semiconductors products in such equipment or applications and therefore such inclusion and/or use is at the customer's own risk.

Applications — Applications that are described herein for any of these products are for illustrative purposes only. NXP Semiconductors makes no representation or warranty that such applications will be suitable for the specified use without further testing or modification.

Limiting values — Stress above one or more limiting values (as defined in the Absolute Maximum Ratings System of IEC 60134) may cause permanent damage to the device. Limiting values are stress ratings only and operation of the device at these or any other conditions above those given in the Characteristics sections of this document is not implied. Exposure to limiting values for extended periods may affect device reliability.

Terms and conditions of sale — NXP Semiconductors products are sold subject to the general terms and conditions of commercial sale, as published at <http://www.nxp.com/profile/terms>, including those pertaining to warranty, intellectual property rights infringement and limitation of liability, unless explicitly otherwise agreed to in writing by NXP Semiconductors. In case of any inconsistency or conflict between information in this document and such terms and conditions, the latter will prevail.

No offer to sell or license — Nothing in this document may be interpreted or construed as an offer to sell products that is open for acceptance or the grant, conveyance or implication of any license under any copyrights, patents or other industrial or intellectual property rights.

13.4 Trademarks

Notice: All referenced brands, product names, service names and trademarks are the property of their respective owners.

I²C-bus — logo is a trademark of NXP B.V.

SoftConnect — is a trademark of NXP B.V.

14. Contact information

For additional information, please visit: <http://www.nxp.com>

For sales office addresses, send an email to: salesaddresses@nxp.com

15. Contents

1	General description	1	6.19	SD/MMC card interface	22
2	Features	1	6.19.1	Features	22
2.1	Key features	1	6.20	LCD interface	23
3	Ordering information	2	6.20.1	Features	23
3.1	Ordering options	2	6.21	Clocking and power control	23
4	Block diagram	3	6.21.1	Features	23
5	Pinning information	4	6.21.2	Reset	23
5.1	Pinning	4	6.21.3	Crystal oscillator	24
5.2	Pin description	6	6.21.4	PLLs	24
6	Functional description	11	6.21.5	Power control and modes	24
6.1	Architectural overview	11	6.21.6	APBs	25
6.1.1	ARM7TDMI processor	12	6.22	Emulation and debugging	25
6.1.2	On-chip flash memory system	12	7	Limiting values	26
6.1.3	On-chip SRAM	12	8	Static characteristics	27
6.1.4	On-chip ROM	12	9	Dynamic characteristics	31
6.2	Memory map	13	9.1	Timing	35
6.3	Cache	15	10	Package outline	39
6.3.1	Cache operation	15	11	Abbreviations	40
6.3.2	Features	15	12	Revision history	41
6.4	Flash memory and programming	15	13	Legal information	42
6.4.1	Features	16	13.1	Data sheet status	42
6.5	DC-to-DC converters	16	13.2	Definitions	42
6.6	External memory controller	16	13.3	Disclaimers	42
6.6.1	Features	16	13.4	Trademarks	42
6.7	GPIO	17	14	Contact information	42
6.7.1	Features	17	15	Contents	43
6.8	Interrupt controller	17			
6.8.1	Features	17			
6.9	Event router	18			
6.10	General purpose timers	18			
6.10.1	Features	18			
6.11	Watchdog timer	18			
6.11.1	Features	19			
6.12	Real-time clock	19			
6.12.1	Features	19			
6.13	General purpose DMA controller	19			
6.13.1	Features	19			
6.14	UART and IrDA	20			
6.14.1	Features	20			
6.15	I ² C-bus interface	20			
6.15.1	Features	20			
6.16	10-bit ADC	21			
6.16.1	Features	21			
6.17	Analog I/O	21			
6.17.1	Features	21			
6.18	USB 2.0 Hi-Speed device controller	21			
6.18.1	Features	22			

Please be aware that important notices concerning this document and the product(s) described herein, have been included in section 'Legal information'.

founded by

PHILIPS

© NXP B.V. 2008.

All rights reserved.

For more information, please visit: <http://www.nxp.com>

For sales office addresses, please send an email to: salesaddresses@nxp.com

Date of release: 17 April 2008

Document identifier: LPC2880_LPC2888_3