



UC3500

CMOS IC

HIGH EFFICIENCY VFM CONTROLLED STEP-UP DC/DC CONVERTER

DESCRIPTION

The UTC **UC3500** Step-up DC/DC converters are optimized for applications that prioritize high efficiency and high frequency. The efficiency is greatly improved by utilizing an internal VFM controlled scheme that switches with fixed frequency and is adjustable up to more than 150 KHz depending on the load.

The UTC **UC3500** requires only three external components to realize the conversion from the battery voltage to the selected output voltage in the range of 2.5V ~ 5.5V.

The start-up voltage of UTC **UC3500** is guaranteed at 0.8V and the device is operating down to 0.5V. The Output current is guaranteed up to 150mA, while quiescent current is only 18µA.

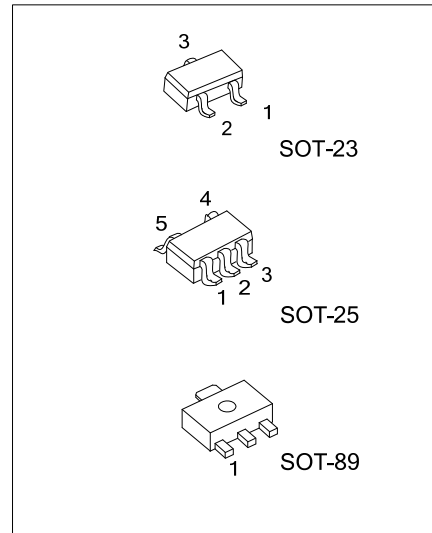
FEATURES

- * 0.8V start-up voltage
- * 0.5V hold-on voltage
- * Output current up to 150mA
- * Low supply current of 18µA
- * Wide output voltage range of 2.5V~5.5V
- * Output voltage accuracy ±2%
- * High efficiency up to 88%
- * Low profile and minimum external components

ORDERING INFORMATION

Ordering Number		Package	Packing
Lead Free	Halogen Free		
UC3500L-xx-AB3-R	UC3500G-xx-AB3-R	SOT-89	Tape Reel
UC3500L-xx-AE3-R	UC3500G-xx-AE3-R	SOT-23	Tape Reel
UC3500L-xx-AF5-R	UC3500G-xx-AF5-R	SOT-25	Tape Reel

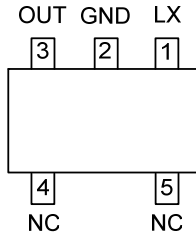
<p>UC3500L-xx-AB3-R</p>	<p>(1) R: Tape Reel</p> <p>(2) AB3:SOT-89, AE3:SOT-23, AF5:SOT-25</p> <p>(3) xx: reference to Marking Information</p> <p>(4) G: Halogen Free, L: Lead Free</p>
-------------------------	--



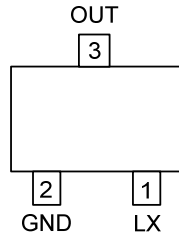
MARKING INFORMATION

PACKAGE	VOLTAGE CODE	MARKING
SOT-25	25:2.5V 27:2.7V 28:2.8V 30:3.0V 33:3.3V 36:3.6V 40:4.0V 50:5.0V	
SOT-23		
SOT-89		

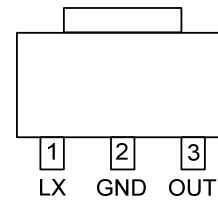
PIN CONFIGURATION



SOT-25

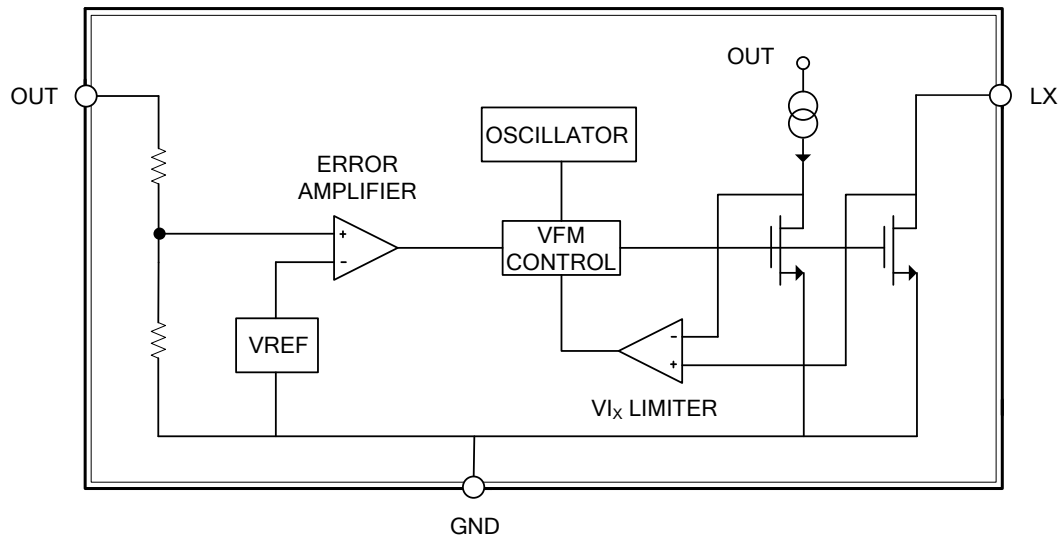


SOT-23



SOT-89

■ BLOCK DIAGRAM



■ ABSOLUTE MAXIMUM RATING

PARAMETER	SYMBOL	RATINGS	UNIT	
Output Voltage	V_{OUT}	7	V	
Input Voltage	V_{IN}	7	V	
LX Pin Voltage	V_{LX}	7	V	
LX Pin Output Current	I_{LX}	Internally limited		
Power Dissipation at 25°C	SOT-23/SOT-25	P_D	160	mW
Derating Rate $T_a > 25^\circ\text{C}$			1.6	$^\circ\text{C}/\text{mW}$
Operating Junction Temperature	T_{OPR}	-25 ~ +85	$^\circ\text{C}$	
Storage Temperature	T_{STG}	-65 ~ +150	$^\circ\text{C}$	

Note: Absolute maximum ratings are those values beyond which the device could be permanently damaged. Absolute maximum ratings are stress ratings only and functional device operation is not implied.

■ ELECTRICAL CHARACTERISTICS ($T_a = 25^\circ\text{C}$, unless otherwise specified.)

UC3500-2.5V ($V_{IN} = 1.4\text{V}$)

PARAMETER	SYMBOL	TEST CONDITIONS	MIN	TYP	MAX	UNIT
Output Voltage	V_{OUT}	$I_{OUT} = 10\text{mA}$	2.4	2.5	2.6	V
Start-up Voltage ($V_{IN}-V_F$) (Note)	V_{START}	$I_{OUT} = 0$		0.7	1.1	V
		$I_{OUT} = 1\text{mA}$		0.8	1.2	V
Hold-on Voltage	V_{HOLD}	$I_{OUT} = 0$	0.4	0.6		V
		$I_{OUT} = 1\text{mA}$	0.3	0.5		V
Supply Current	I_{SUPPLY}	$I_{OUT} = 0$		18		μA
Internal Switch $R_{DS(ON)}$	R_{LX}	$I_{LX} = 100\text{mA}$		760		$\text{m}\Omega$
Internal Leakage Current	$I_{LX(LEAK)}$	$V_{LX} = 4\text{V}, V_{OUT} = 2.8\text{V}$		0.1	0.3	μA
Maximum Oscillator Frequency	f_{OSC}	$I_{OUT} = 10\text{mA}$		150		KHz
Oscillator Duty Cycle	D_{IV}	$I_{OUT} = 10\text{mA}$		75		%
Efficiency	η	$I_{OUT} = 10\text{mA}$		81		%
		$I_{OUT} = 50\text{mA}$		83		%
		$I_{OUT} = 100\text{mA}$		82		%

UC3500-2.7V ($V_{IN} = 1.6\text{V}$)

PARAMETER	SYMBOL	TEST CONDITIONS	MIN	TYP	MAX	UNIT
Output Voltage	V_{OUT}	$I_{OUT} = 10\text{mA}$	2.6	2.7	2.8	V
Start-up Voltage ($V_{IN}-V_F$) (Note)	V_{START}	$I_{OUT} = 0$		0.7	1.1	V
		$I_{OUT} = 1\text{mA}$		0.8	1.2	V
Hold-on Voltage	V_{HOLD}	$I_{OUT} = 0$	0.4	0.6		V
		$I_{OUT} = 1\text{mA}$	0.3	0.5		V
Supply Current	I_{SUPPLY}	$I_{OUT} = 0$		18		μA
Internal Switch $R_{DS(ON)}$	R_{LX}	$I_{LX} = 100\text{mA}$		760		$\text{m}\Omega$
Internal Leakage Current	$I_{LX(LEAK)}$	$V_{LX} = 4\text{V}, V_{OUT} = 3.0\text{V}$		0.1	0.3	μA
Maximum Oscillator Frequency	f_{OSC}	$I_{OUT} = 10\text{mA}$		150		KHz
Oscillator Duty Cycle	D_{IV}	$I_{OUT} = 10\text{mA}$		75		%
Efficiency	η	$I_{OUT} = 10\text{mA}$		82		%
		$I_{OUT} = 50\text{mA}$		83		%
		$I_{OUT} = 100\text{mA}$		82		%

■ ELECTRICAL CHARACTERISTICS(Cont.)

UC3500-2.8V ($V_{IN} = 1.7V$)

PARAMETER	SYMBOL	TEST CONDITIONS	MIN	TYP	MAX	UNIT
Output Voltage	V_{OUT}	$I_{OUT} = 10mA$	2.7	2.8	2.9	V
Start-up Voltage ($V_{IN}-V_F$) (Note)	V_{START}	$I_{OUT} = 0$		0.7	1.1	V
		$I_{OUT} = 1mA$		0.8	1.2	V
Hold-on Voltage	V_{HOLD}	$I_{OUT} = 0$	0.4	0.6		V
		$I_{OUT} = 1mA$	0.3	0.5		V
Supply Current	I_{SUPPLY}	$I_{OUT} = 0$		18		μA
Internal Switch $R_{DS(ON)}$	R_{LX}	$I_{LX} = 100mA$		760		$m\Omega$
Internal Leakage Current	$I_{LX(LEAK)}$	$V_{LX} = 4V, V_{OUT} = 3.1V$		0.1	0.3	μA
Maximum Oscillator Frequency	f_{OSC}	$I_{OUT} = 10mA$		150		KHz
Oscillator Duty Cycle	D_{ty}	$I_{OUT} = 10mA$		75		%
Efficiency	η	$I_{OUT} = 10mA$		82		%
		$I_{OUT} = 50mA$		83		%
		$I_{OUT} = 100mA$		82		%

UC3500-3.0V ($V_{IN} = 1.8V$)

PARAMETER	SYMBOL	TEST CONDITIONS	MIN	TYP	MAX	UNIT
Output Voltage	V_{OUT}	$I_{OUT} = 10mA$	2.9	3	3.1	V
Start-up Voltage ($V_{IN}-V_F$) (Note)	V_{START}	$I_{OUT} = 0$		0.7	1.1	V
		$I_{OUT} = 1mA$		0.8	1.2	V
Hold-on Voltage	V_{HOLD}	$I_{OUT} = 0$	0.4	0.6		V
		$I_{OUT} = 1mA$	0.3	0.5		V
Supply Current	I_{SUPPLY}	$I_{OUT} = 0$		18		μA
Internal Switch $R_{DS(ON)}$	R_{LX}	$I_{LX} = 100mA$		750		$m\Omega$
Internal Leakage Current	$I_{LX(LEAK)}$	$V_{LX} = 4V, V_{OUT} = 3.3V$		0.1	0.3	μA
Maximum Oscillator Frequency	f_{OSC}	$I_{OUT} = 10mA$		150		KHz
Oscillator Duty Cycle	D_{ty}	$I_{OUT} = 10mA$		75		%
Efficiency	η	$I_{OUT} = 10mA$		82		%
		$I_{OUT} = 50mA$		84		%
		$I_{OUT} = 100mA$		82		%

UC3500-3.3V ($V_{IN} = 2.0V$)

PARAMETER	SYMBOL	TEST CONDITIONS	MIN	TYP	MAX	UNIT
Output Voltage	V_{OUT}	$I_{OUT} = 10mA$	3.2	3.3	3.4	V
Start-up Voltage ($V_{IN}-V_F$) (Note)	V_{START}	$I_{OUT} = 0$		0.7	1.1	V
		$I_{OUT} = 1mA$		0.8	1.2	V
Hold-on Voltage	V_{HOLD}	$I_{OUT} = 0$	0.4	0.6		V
		$I_{OUT} = 1mA$	0.3	0.5		V
Supply Current	I_{SUPPLY}	$I_{OUT} = 0$		18		μA
Internal Switch $R_{DS(ON)}$	R_{LX}	$I_{LX} = 100mA$		750		$m\Omega$
Internal Leakage Current	$I_{LX(LEAK)}$	$V_{LX} = 4V, V_{OUT} = 3.6V$		0.1	0.3	μA
Maximum Oscillator Frequency	f_{OSC}	$I_{OUT} = 10mA$		150		KHz
Oscillator Duty Cycle	D_{ty}	$I_{OUT} = 10mA$		75		%
Efficiency	η	$I_{OUT} = 10mA$		83		%
		$I_{OUT} = 50mA$		85		%
		$I_{OUT} = 100mA$		84		%

■ ELECTRICAL CHARACTERISTICS(Cont.)

UC3500-3.6V ($V_{IN} = 2.2V$)

PARAMETER	SYMBOL	TEST CONDITIONS	MIN	TYP	MAX	UNIT
Output Voltage	V_{OUT}	$I_{OUT} = 10mA$	3.49	3.6	3.71	V
Start-up Voltage ($V_{IN}-V_F$) (Note)	V_{START}	$I_{OUT} = 0$		0.7	1.1	V
		$I_{OUT} = 1mA$		0.8	1.2	V
Hold-on Voltage	V_{HOLD}	$I_{OUT} = 0$	0.4	0.6		V
		$I_{OUT} = 1mA$	0.3	0.5		V
Supply Current	I_{SUPPLY}	$I_{OUT} = 0$		18		μA
Internal Switch $R_{DS(ON)}$	R_{LX}	$I_{LX} = 100mA$		750		$m\Omega$
Internal Leakage Current	$I_{LX(LEAK)}$	$V_{LX} = 4V, V_{OUT} = 3.9V$		0.1	0.3	μA
Maximum Oscillator Frequency	f_{OSC}	$I_{OUT} = 10mA$		150		KHz
Oscillator Duty Cycle	D_{ty}	$I_{OUT} = 10mA$		75		%
Efficiency	η	$I_{OUT} = 10mA$		84		%
		$I_{OUT} = 50mA$		86		%
		$I_{OUT} = 100mA$		85		%

UC3500-4.0V ($V_{IN} = 2.4V$)

PARAMETER	SYMBOL	TEST CONDITIONS	MIN	TYP	MAX	UNIT
Output Voltage	V_{OUT}	$I_{OUT} = 10mA$	3.88	4.0	4.12	V
Start-up Voltage ($V_{IN}-V_F$) (Note)	V_{START}	$I_{OUT} = 0$		0.7	1.1	V
		$I_{OUT} = 1mA$		0.8	1.2	V
Hold-on Voltage	V_{HOLD}	$I_{OUT} = 0$	0.4	0.6		V
		$I_{OUT} = 1mA$	0.3	0.5		V
Supply Current	I_{SUPPLY}	$I_{OUT} = 0$		19		μA
Internal Switch $R_{DS(ON)}$	R_{LX}	$I_{LX} = 100mA$		740		$m\Omega$
Internal Leakage Current	$I_{LX(LEAK)}$	$V_{LX} = 4V, V_{OUT} = 4.3V$		0.1	0.3	μA
Maximum Oscillator Frequency	f_{OSC}	$I_{OUT} = 10mA$		150		KHz
Oscillator Duty Cycle	D_{ty}	$I_{OUT} = 10mA$		75		%
Efficiency	η	$I_{OUT} = 10mA$		85		%
		$I_{OUT} = 50mA$		87		%
		$I_{OUT} = 100mA$		85		%

UC3500-5.0V ($V_{IN} = 3.0V$)

PARAMETER	SYMBOL	TEST CONDITIONS	MIN	TYP	MAX	UNIT
Output Voltage	V_{OUT}	$I_{OUT} = 10mA$	4.85	5.0	5.15	V
Start-up Voltage ($V_{IN}-V_F$) (Note)	V_{START}	$I_{OUT} = 0$		0.7	1.1	V
		$I_{OUT} = 1mA$		0.8	1.2	V
Hold-on Voltage	V_{HOLD}	$I_{OUT} = 0$	0.4	0.6		V
		$I_{OUT} = 1mA$	0.3	0.5		V
Supply Current	I_{SUPPLY}	$I_{OUT} = 0$		19		μA
Internal Switch $R_{DS(ON)}$	R_{LX}	$I_{LX} = 100mA$		730		$m\Omega$
Internal Leakage Current	$I_{LX(LEAK)}$	$V_{LX} = 4V, V_{OUT} = 5.3V$		0.1	0.3	μA
Maximum Oscillator Frequency	f_{OSC}	$I_{OUT} = 10mA$		150		KHz
Oscillator Duty Cycle	D_{ty}	$I_{OUT} = 10mA$		75		%
Efficiency	η	$I_{OUT} = 10mA$		86		%
		$I_{OUT} = 50mA$		88		%
		$I_{OUT} = 100mA$		85		%

Note: V_F references to the forward voltage of the diode.

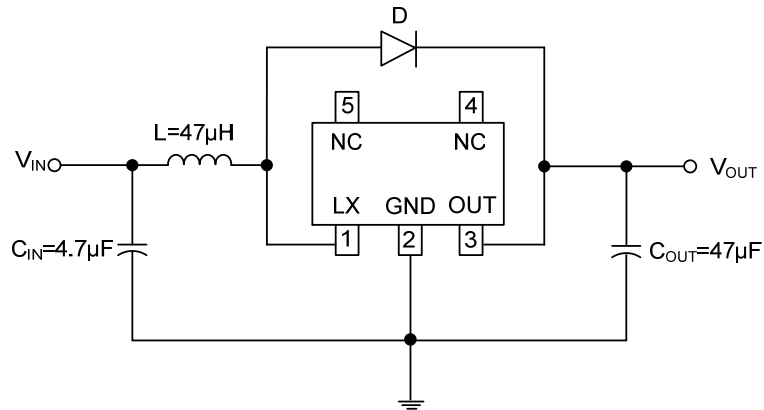
■ PRINCIPLE OF OPERATION

The UTC **UC3500** consists of a Band-Gap reference voltage source, error amplifier, VFM control logic core, oscillator, V_{LX} limiter amplifier, N-channel MOSFET switching transistor and output voltage divider network.

The device compares the Band-Gap reference voltage with the feedback voltage from the output through divider network. In T_{ON} phase, the energy is transferred from the battery to the inductor. The switch is turned off after a maximum on time set to $2.5\mu s$. In T_{OFF} phase, the energy stored in the inductor is transferred to the load. This process is continuously performed to ensure stable output voltage. Until the output voltage reaches the expected value.

Therefore, in case of light load, the device works in PFM mode. In heavy load condition, the device works in continuous mode, the frequency range up to a maximum 150 KHz set by the built in oscillator. In over current conditions, the T_{on} time is shorted; the switching frequency will be higher than 150 KHz.

■ TYPICAL APPLICATION CIRCUIT

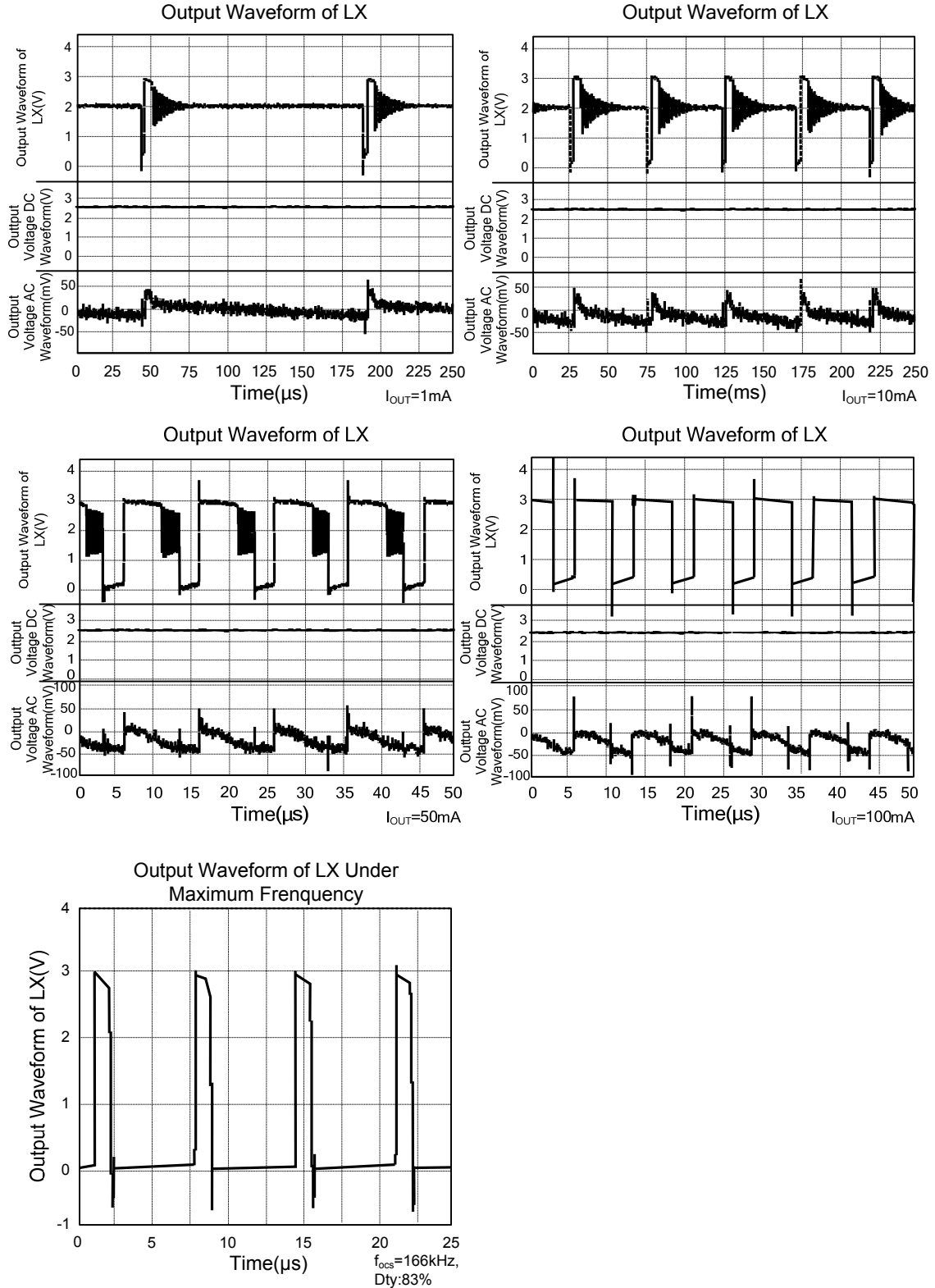


■ RECONMMENDED COMPONENTS

- L : 47 μ H (Sunida CD54 Fosc=500kHz)
- D : MA737, or MBRM110L
- C_{IN} : 10V 4.7 μ F (Tantalum)
- C_{OUT} : 16V 47 μ F (Tantalum)

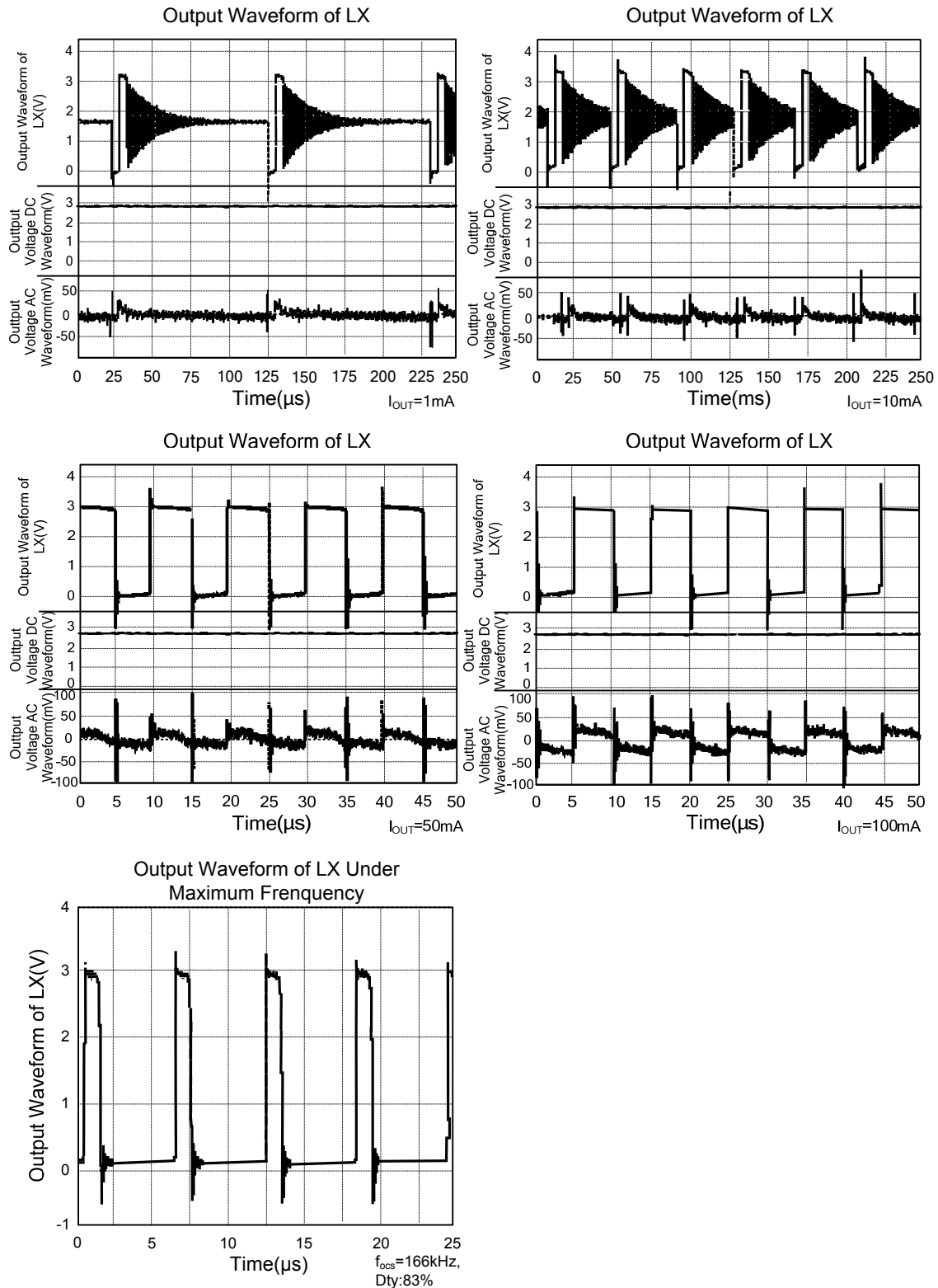
■ TYPICAL CHARACTERISTICS

UC3500-2.5V



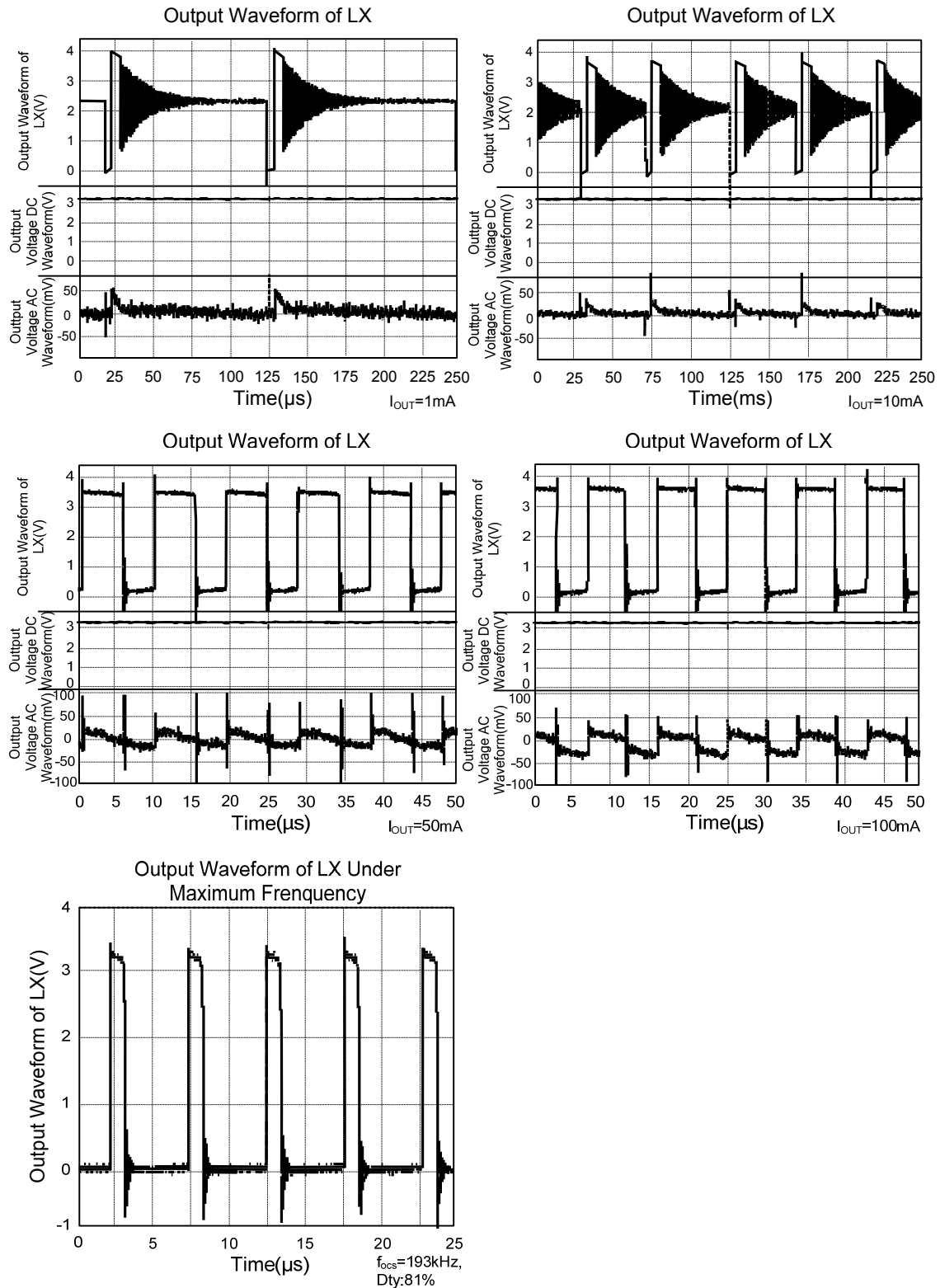
■ TYPICAL CHARACTERISTICS(Cont.)

UC3500-2.7V



■ TYPICAL CHARACTERISTICS(Cont.)

UC3500-3.3V



UTC assumes no responsibility for equipment failures that result from using products at values that exceed, even momentarily, rated values (such as maximum ratings, operating condition ranges, or other parameters) listed in products specifications of any and all UTC products described or contained herein. UTC products are not designed for use in life support appliances, devices or systems where malfunction of these products can be reasonably expected to result in personal injury. Reproduction in whole or in part is prohibited without the prior written consent of the copyright owner. The information presented in this document does not form part of any quotation or contract, is believed to be accurate and reliable and may be changed without notice.

