



TAI-SAW TECHNOLOGY CO., LTD.

No. 3, Industrial 2nd Rd., Ping-Chen Industrial District,
Taoyuan, 324, Taiwan, R.O.C.

TEL: 886-3-4690038 FAX: 886-3-4697532

E-mail: tstsales@mail.taisaw.com Web: www.taisaw.com

Approval Sheet For Product Specification

Issued Date:

Product Name: SAW Resonator 315 MHz TO-39

TST Parts No.: TC0408A

Customer Parts No.: _____

Company: _____
Division: _____
Approved by : _____
Date: _____

Checked by: Paul Ni

Approval by: Francis Chen

Date: 2007/6/25



TAI-SAW TECHNOLOGY CO., LTD.

No. 3, Industrial 2nd Rd., Ping-Chen Industrial District,
Taoyuan, 324, Taiwan, R.O.C.

TEL: 886-3-4690038 FAX: 886-3-4697532

E-mail: tstsales@mail.taisaw.com Web: www.taisaw.com

SAW Resonator 315 MHz

MODEL NO.: TC0408A

REV. NO.:1.0

A. FEATURES:

- 1-Port Resonator.

B. MAXIMUM RATING:

- 1.Input Power Level: 0 dBm
- 2.DC voltage: ± 30 V
- 3.Operating Temperature: -40°C to $+85^{\circ}\text{C}$
- 4.Storage Temperature: -40°C to $+85^{\circ}\text{C}$

C. ELECTRICAL CHARACTERISTICS:

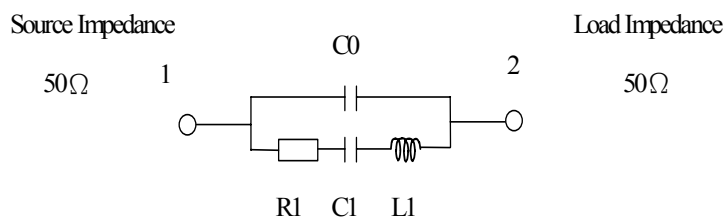
Characteristic	Units	Minimum	Typical	Maximum
Center frequency Fr	MHz	314.925	315.000	315.075
Insertion Loss IL	dB	-	2.0	2.5
Unloaded Q QU		-	16900	-
50 Ω loaded Q QL		-	2000	-
Frequency Aging	ppm/yr	-	-	10
Equivalent Elements				
Motional capacitance C1	fF	-	1.9994	-
Motional inductance L1	μ H	-	90.67	-
Motional resistance R1	Ohm	-	19	29
Parallel capacitance Co	pF	-	4.7	-
Temp.coeff.	ppm/c*2	-	0.037	-
Turnover To	deg.C	10	25	40
Package size		TO-39		

RoHS Compliant

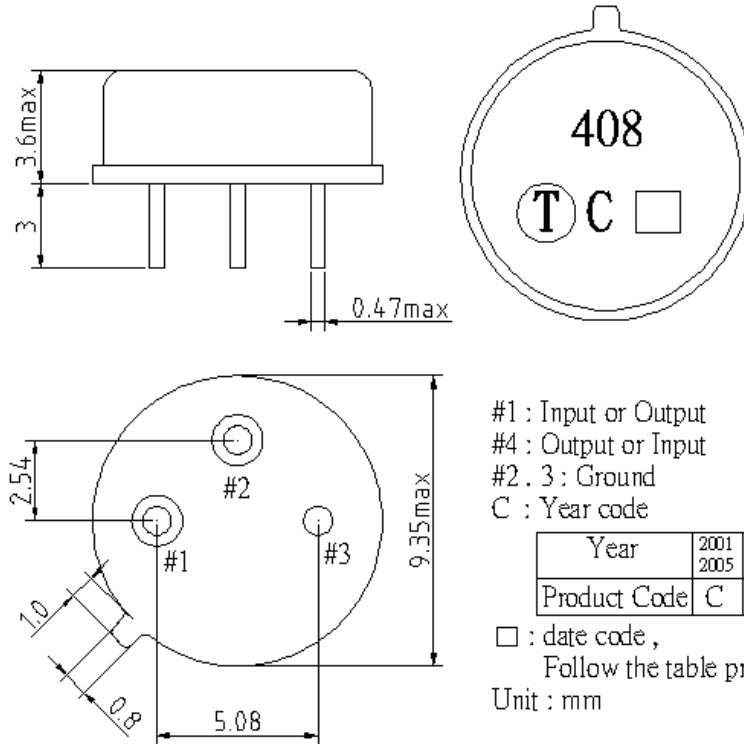
Lead-free soldering

D. EQUIVIRENT CIRCUIT:

One-Port Resonator:



E. OUTLINE DRAWING:

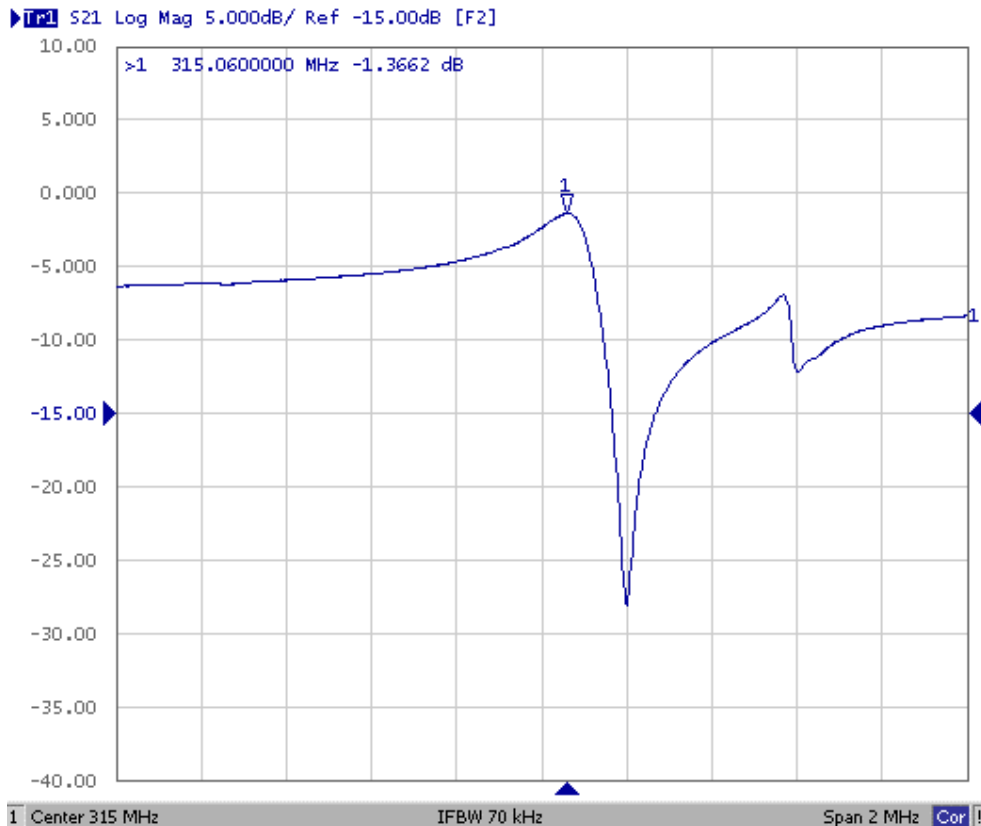


#1 : Input or Output
 #4 : Output or Input
 #2, 3 : Ground
 C : Year code

Year	2001	2002	2003	2004
	2005	2006	2007	2008
Product Code	C	c	<u>C</u>	<u>c</u>

□ : date code,
 Follow the table provided by planner each year.
 Unit : mm

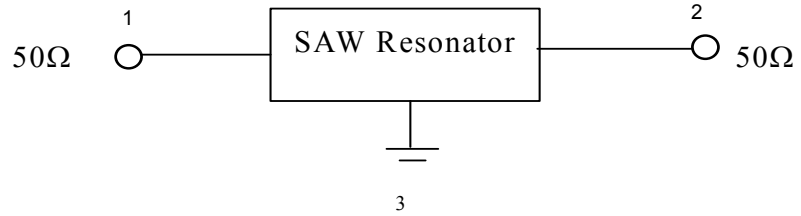
F. FREQUENCY CHARACTERISTICS :



G. TEST CIRCUIT:

Network analyzer

From 50Ω
Network
Analyzer



To 50Ω
Network
Analyzer