

TC0502

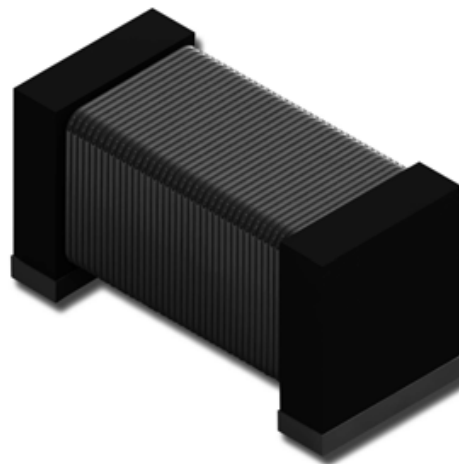
SMD Telecoil 5.1x2.3x2.4 mm (40 mH - 270 mH)

Main characteristics

- Small size
- High sensitivity
- SMD mounting

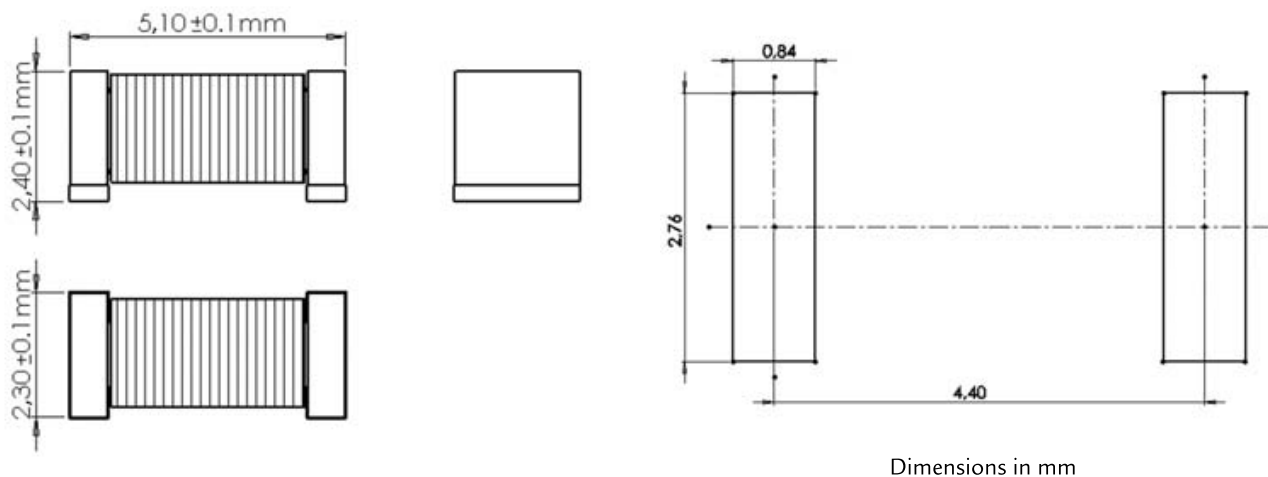
Typical application

- Hearing aid devices



This new design is coil with a very stable and high quality ferrite core and tiny size (5.1 x 2.3 x 2.4mm) and high sensitivity in low frequency range (20-40kHz). Those pieces are winding with thin copper wire up to 12 μ m and its inductances range is 40-270mH. Besides, it has good frequency and temperature behaviour and can be served with "custom" electric characteristics according requirements of hearing aid devices manufacturers.

Dimensions and recommended pad-layout:



Electrical specifications

P/N	L (mH) @ 20 kHz	Tolerance	Rdc (k Ω)	SRF (kHz)	Sensitivity (mVpp/App/m) @1 kHz
TC0502-04000J	40	$\pm 5\%$	0.6	>250	0.66
TC0502-14000J	140	$\pm 5\%$	2.9	>90	1.18
TC0502-17000J	170	$\pm 5\%$	3.2	>80	1.38
TC0502-27000J	270	$\pm 5\%$	4.2	>70	1.76

Add under the chart: This chart is a reference guide for the most common required values at working frequency of 20 kHz. Any other inductance value at LF or tighter tolerances can be provided. Please contact our sales department for any inquiry. Sensitivity measured with Helmholtz coils H=6.34 App/m @1 kHz. Contact us for measurement specification. Metallization: Ag(Base)/Ni(inter)/Sn(Finish)