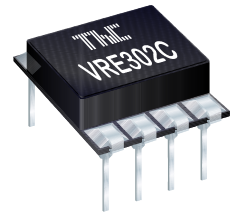
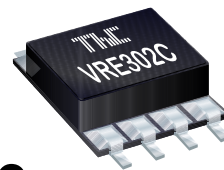




VRE302

Low Cost Precision Reference



THALER CORPORATION • 2015 N. FORBES BOULEVARD • TUCSON, AZ. 85745 • (520) 882-4000

FEATURES

- 2.500 V OUTPUT ± 0.250 mV (.01%)
- TEMPERATURE DRIFT: 0.6 ppm/ $^{\circ}$ C
- LOW NOISE: 1.5 μ V_{p-p} (0.1-10Hz)
- INDUSTRY STD PINOUT- 8 PIN DIP OR SURFACE MOUNT PACKAGE
- EXCELLENT LINE REGULATION: 6ppm/V Typ.
- OUTPUT TRIM CAPABILITY

DESCRIPTION

The VRE302 is a low cost, high precision 2.5V reference. Packaged in the industry standard 8 pin DIP, the device is ideal for upgrading systems that use lower performance references.

The device provides ultrastable +2.500V output with ± 0.2500 mV (.01%) initial accuracy and a temperature coefficient of 0.6 ppm/ $^{\circ}$ C. This improvement in accuracy is made possible by a unique, patented multipoint laser compensation technique developed by Thaler Corporation. Significant improvements have been made in other performance parameters as well, including initial accuracy, warm-up drift, line regulation, and long-term stability, making the VRE302 series the most accurate reference available in the standard 8 pin DIP package.

For enhanced performance, the VRE302 has an external trim option for users who want less than 0.01% initial error. A reference ground pin is provided to eliminate socket contact resistance errors.

PIN CONFIGURATION

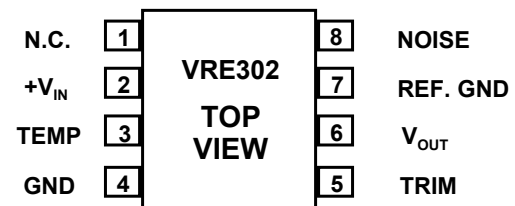


FIGURE 1

The VRE302 is recommended for use as a reference for 14, 16, or 18 bit D/A converters which require an external precision reference. The device is also ideal for calibrating scale factor on high resolution A/D converters. The VRE302 offers superior performance over monolithic references.

SELECTION GUIDE

| Model | Initial Error mV | Temp. Coeff. ppm/ $^{\circ}$ C | Temp. Range $^{\circ}$ C |
|---------|------------------|--------------------------------|--------------------------------------|
| VRE302A | 0.25 | 0.6 | 0 $^{\circ}$ C to +70 $^{\circ}$ C |
| VRE302B | 0.40 | 1.0 | 0 $^{\circ}$ C to +70 $^{\circ}$ C |
| VRE302C | 0.50 | 2.0 | 0 $^{\circ}$ C to +70 $^{\circ}$ C |
| VRE302J | 0.25 | 0.6 | -40 $^{\circ}$ C to +85 $^{\circ}$ C |
| VRE302K | 0.40 | 1.0 | -40 $^{\circ}$ C to +85 $^{\circ}$ C |
| VRE302L | 0.50 | 2.0 | -40 $^{\circ}$ C to +85 $^{\circ}$ C |

For package option add D for DIP or S for Surface Mount to end of model number.

ELECTRICAL SPECIFICATIONS

VRE302

Vps = +15V, T = 25°C, RL = 10KΩ unless otherwise noted.

| MODEL | A/J | | | B/K | | | C/L | | | |
|---|------------|--------------|------|-----|-----|------|-----|-----|------|-------------|
| PARAMETER | MIN | TYP | MAX | MIN | TYP | MAX | MIN | TYP | MAX | UNITS |
| ABSOLUTE RATINGS | | | | | | | | | | |
| Power Supply | +13.5 | +15 | +22 | * | * | * | * | * | * | V |
| Operating Temp. (A,B,C) | 0 | | +70 | * | | * | * | | * | °C |
| Operating Temp. (J,K,L) | -40 | | +85 | * | | * | * | | * | °C |
| Storage Temperature | -65 | | +150 | * | | * | * | | * | °C |
| Short Circuit Protection | Continuous | | | | * | | | * | | |
| OUTPUT VOLTAGE | | | | | | | | | | |
| VRE302 (1) Temp. Sensor Voltage | | 2.500 630 | | | * | | | * | | V mV |
| OUTPUT VOLTAGE ERRORS | | | | | | | | | | |
| Initial Error (2) | | | 0.25 | | | 0.40 | | | 0.50 | mV |
| Warmup Drift | | 1 | | | 2 | | | 3 | | ppm |
| T _{min} - T _{max} (3) | | | 0.6 | | | 1.0 | | | 2.0 | ppm/°C |
| Long-Term Stability | | 6 | | | * | | | * | | ppm/1000hrs |
| Noise (.1-10Hz) (4) | | 1.5 | | | * | | | * | | μVpp |
| OUTPUT CURRENT | | | | | | | | | | |
| Range | ±10 | | | * | | | * | | | mA |
| REGULATION | | | | | | | | | | |
| Line | | 6 | 10 | | * | * | | * | * | ppm/V |
| Load | | 3 | | | * | | | * | | ppm/mA |
| OUTPUT ADJUSTMENT | | | | | | | | | | |
| Range | | 10 | | | * | | | * | | mV |
| POWER SUPPLY CURRENTS (5) | | | | | | | | | | |
| VRE302 +PS | | 5 | 7 | | * | * | | * | * | mA |

NOTES: *Same as A/J Models.

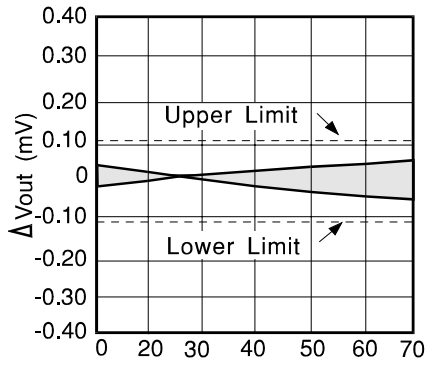
- The temp. reference TC is 2.1mV/ °C
- The specified values are without external trim.
- The temperature coefficient is determined by the box method using the following formula:

$$T.C. = \frac{V_{\max} - V_{\min}}{V_{\text{nominal}} \times (T_{\max} - T_{\min})} \times 10^6$$

- The specified values are without the external noise reduction capacitor.
- The specified values are unloaded.

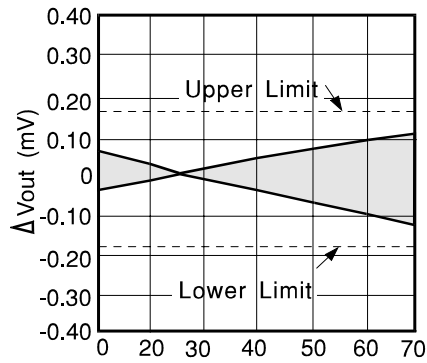
TYPICAL PERFORMANCE CURVES

V_{OUT} vs. TEMPERATURE



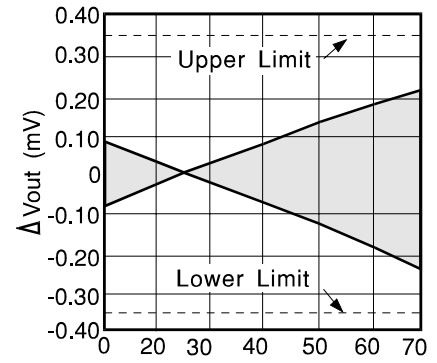
Temperature °C
VRE302A

V_{OUT} vs. TEMPERATURE



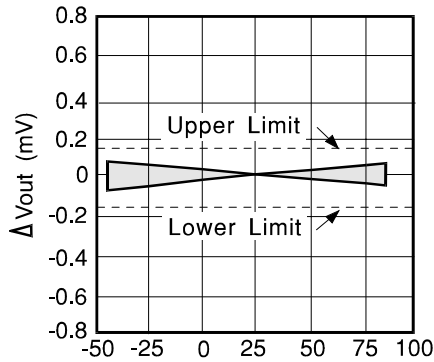
Temperature °C
VRE302B

V_{OUT} vs. TEMPERATURE



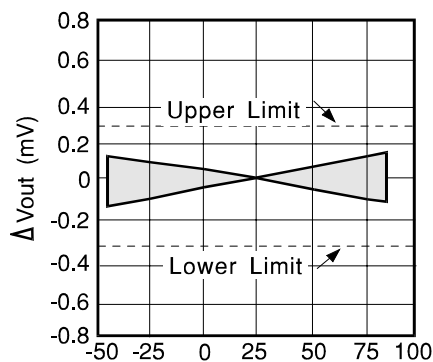
Temperature °C
VRE302C

V_{OUT} vs. TEMPERATURE



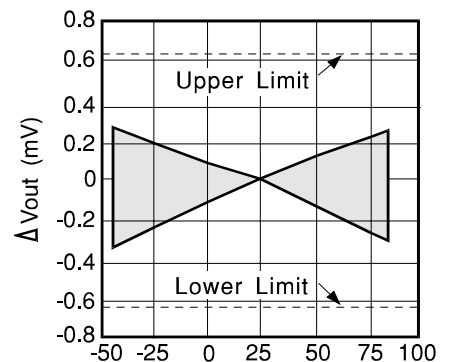
Temperature °C
VRE302J

V_{OUT} vs. TEMPERATURE



Temperature °C
VRE302K

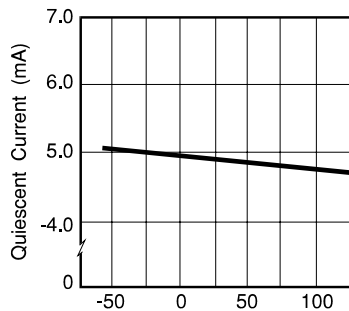
V_{OUT} vs. TEMPERATURE



Temperature °C
VRE302L

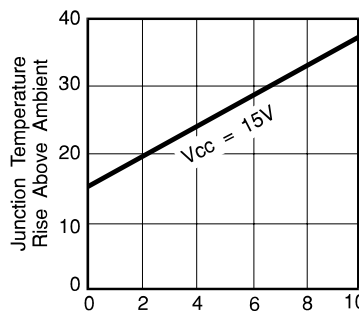
————— POSITIVE OUTPUT (TYP) —————

QUIESCENT CURRENT vs. TEMP



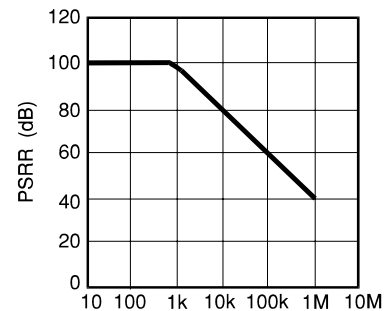
Temperature °C

JUNCTION TEMP. RISE vs. OUTPUT CURRENT



Output Current (mA)

PSRR vs. FREQUENCY



Frequency (Hz)

DISCUSSION OF PERFORMANCE

THEORY OF OPERATION

The following discussion refers to the schematic in figure 2 below. A FET current source is used to bias a 6.3V zener diode. The zener voltage is divided by the resistor network R1 and R2. This voltage is then applied to the noninverting input of the operational amplifier which amplifies the voltage to produce a 2.500V output. The gain is determined by the resistor networks R3 and R4: $G=1 + R4/R3$. The 6.3V zener diode is used because it is the most stable diode over time and temperature.

The current source provides a closely regulated zener current, which determines the slope of the references' voltage vs. temperature function. By trimming the zener current a lower drift over temperature can be achieved. But since the voltage vs. temperature function is nonlinear this compensation technique is not well suited for wide temperature ranges.

Thaler Corporation has developed a nonlinear compensation network of thermistors and resistors that is used in the VRE series voltage references. This proprietary network eliminates most of the nonlinearity in the voltage vs. temperature function. By adjusting the slope, Thaler Corporation produces a very stable voltage over wide temperature ranges.

This network is less than 2% of the overall network resistance so it has a negligible effect on long term stability.

Figure 3 shows the proper connection of the VRE302 series voltage references with the optional trim resistor for initial error. The VRE302 reference has the ground terminal brought out on two pins (pin 4 and pin 7) which are connected together internally. This allows the user to achieve greater accuracy when using a socket. Voltage references have a voltage drop across their power supply ground pin due to quiescent current flowing through the contact resistance. If the contact resistance was constant with time and temperature, this voltage drop could be trimmed out. When the reference is plugged into a socket, this source of error can be as high as 20ppm. By connecting pin 4 to the power supply ground and pin 7 to a high impedance ground point in the measurement circuit, the error due to the contact resistance can be eliminated. If the unit is soldered into place, the contact resistance is sufficiently small that it does not effect performance. Pay careful attention to the circuit layout to avoid noise pickup and voltage drops in the lines.

VRE302

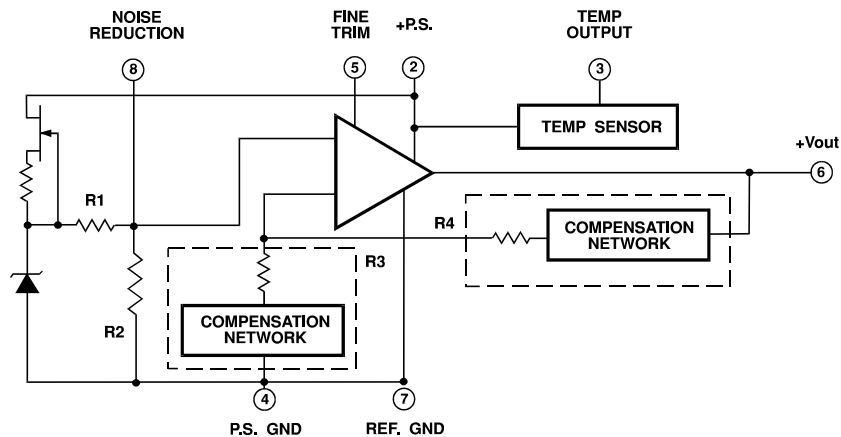


FIGURE 2

EXTERNAL CONNECTIONS

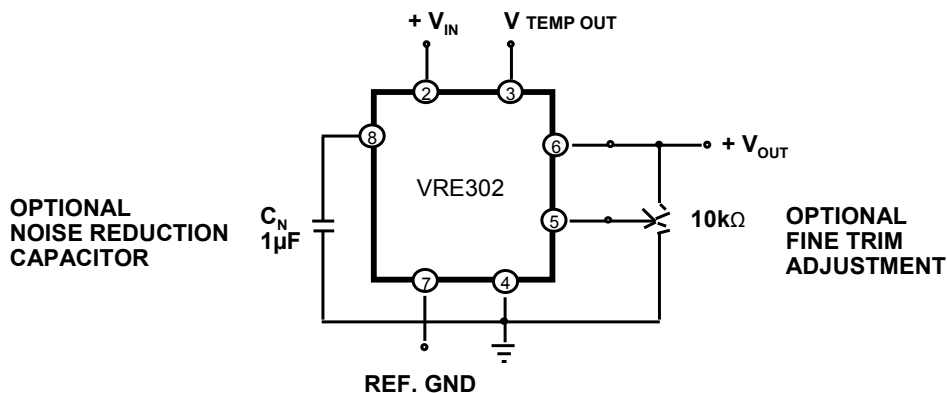
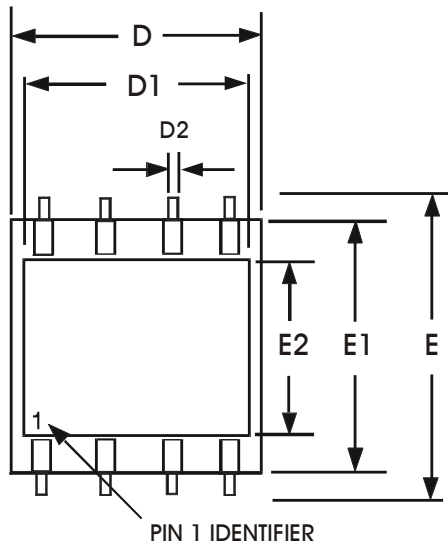


FIGURE 3

MECHANICAL

FIGURE 3



| DIM | INCHES | | MILLIMETER | | DIM | INCHES | | MILLIMETER | |
|-----|--------|------|------------|------|-----|--------|------|------------|------|
| | MIN | MAX | MIN | MAX | | MIN | MAX | MIN | MAX |
| A | .115 | .125 | 2.92 | 3.17 | D2 | .018 | .023 | 0.46 | 0.58 |
| B | .098 | .102 | 2.48 | 2.59 | E | .507 | .513 | 12.8 | 13.0 |
| B1 | .046 | .051 | 1.14 | 1.29 | E1 | .397 | .403 | 10.0 | 10.2 |
| C | .107 | .113 | 2.71 | 2.89 | E2 | .264 | .270 | 6.70 | 6.85 |
| C1 | .009 | .012 | 0.22 | 0.30 | P | .085 | .095 | 2.15 | 2.41 |
| C2 | .052 | .058 | 1.32 | 1.47 | Q | .020 | .030 | .508 | .762 |
| D | .397 | .403 | 10.0 | 10.2 | S | .045 | .055 | 1.14 | 1.39 |
| D1 | .372 | .380 | 9.44 | 9.65 | | | | | |

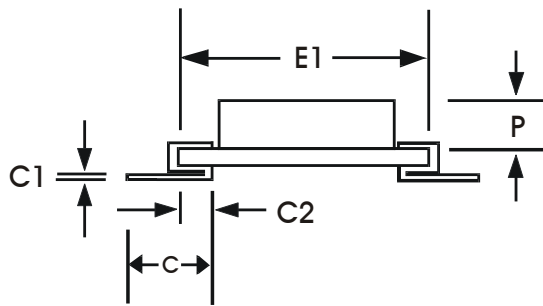
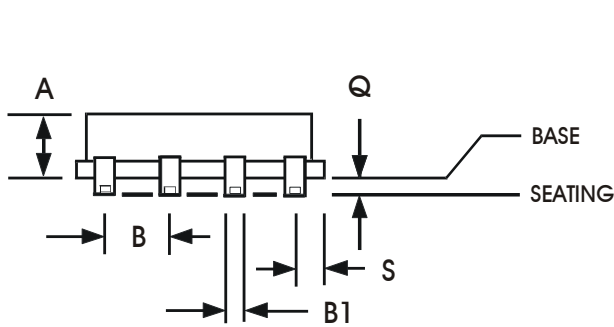
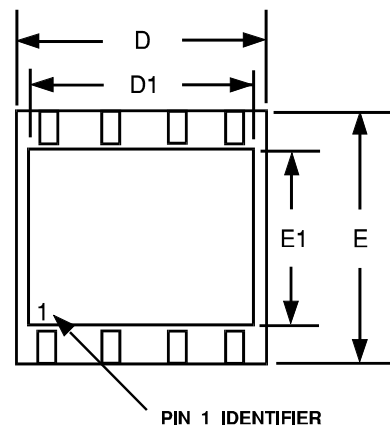
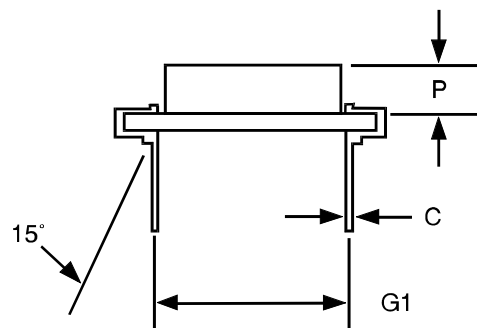
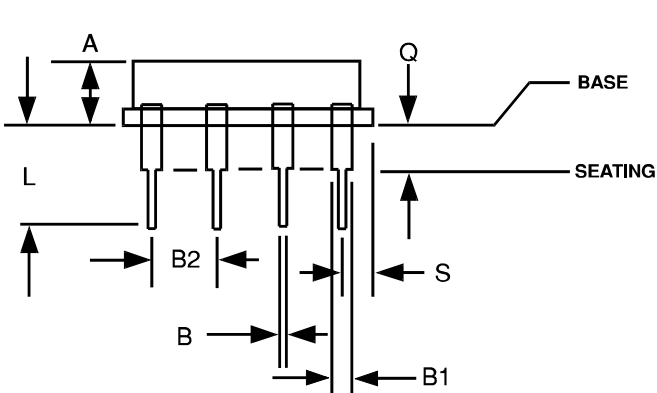


FIGURE 4



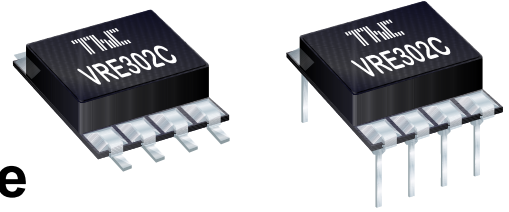
| DIM | INCHES | | MILLIMETER | | DIM | INCHES | | MILLIMETER | |
|-----|--------|------|------------|------|-----|--------|------|------------|------|
| | MIN | MAX | MIN | MAX | | MIN | MAX | MIN | MAX |
| A | .115 | .125 | 2.92 | 3.17 | E | .397 | .403 | 10.0 | 10.2 |
| B | .018 | .022 | .457 | .558 | E1 | .264 | .270 | 6.70 | 6.85 |
| B1 | .046 | .051 | 1.14 | 1.29 | G1 | .290 | .310 | 7.36 | 7.87 |
| B2 | .098 | .102 | 2.48 | 2.59 | L | .195 | .215 | 4.95 | 5.46 |
| C | .009 | .012 | 0.22 | 0.30 | P | .085 | .095 | 2.15 | 2.41 |
| D | .397 | .403 | 10.0 | 10.2 | Q | .055 | .065 | 1.39 | 1.65 |
| D1 | .372 | .380 | 9.44 | 9.65 | S | .045 | .055 | 1.14 | 1.39 |





VRE302-6

Low Cost Precision Reference



THALER CORPORATION • 2015 N. FORBES BOULEVARD • TUCSON, AZ. 85745 • (520) 882-4000

FEATURES

- 2.048 V OUTPUT \pm 0.205 mV (.01%)
- TEMPERATURE DRIFT: 0.6 ppm/°C
- LOW NOISE: 1.5 μ V_{p-p} (0.1-10Hz)
- INDUSTRY STD PINOUT- 8 PIN DIP OR SURFACE MOUNT PACKAGE
- EXCELLENT LINE REGULATION: 6ppm/V Typ.
- OUTPUT TRIM CAPABILITY

DESCRIPTION

The VRE302-6 is a low cost, high precision 2.5V reference. Packaged in the industry standard 8 pin DIP, the device is ideal for upgrading systems that use lower performance references.

The device provides ultrastable +2.048V output with \pm 0.205 mV (.01%) initial accuracy and a temperature coefficient of 0.6 ppm/°C. This improvement in accuracy is made possible by a unique, patented multipoint laser compensation technique developed by Thaler Corporation. Significant improvements have been made in other performance parameters as well, including initial accuracy, warm-up drift, line regulation, and long-term stability, making the VRE302-6 series the most accurate reference available in the standard 8 pin DIP package.

For enhanced performance, the VRE302-6 has an external trim option for users who want less than 0.01% initial error. A reference ground pin is provided to eliminate socket contact resistance errors.

PIN CONFIGURATION

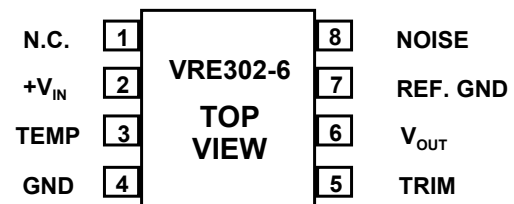


FIGURE 1

The VRE302-6 is recommended for use as a reference for 14, 16, or 18 bit D/A converters which require an external precision reference. The device is also ideal for calibrating scale factor on high resolution A/D converters. The VRE302-6 offers superior performance over monolithic references.

SELECTION GUIDE

| Model | Initial Error mV | Temp. Coeff. ppm/°C | Temp. Range °C |
|-----------|------------------|---------------------|----------------|
| VRE302-6A | 0.20 | 0.6 | 0°C to +70°C |
| VRE302-6B | 0.35 | 1.0 | 0°C to +70°C |
| VRE302-6C | 0.40 | 2.0 | 0°C to +70°C |
| VRE302-6J | 0.20 | 0.6 | -40°C to +85°C |
| VRE302-6K | 0.35 | 1.0 | -40°C to +85°C |
| VRE302-6L | 0.40 | 2.0 | -40°C to +85°C |

For package option add D for DIP or S for Surface Mount to end of model number.

ELECTRICAL SPECIFICATIONS

VRE302-6

V_{ps} = +15V, T = 25°C, R_L = 10KΩ unless otherwise noted.

| MODEL | A/J | | | B/K | | | C/L | | | |
|---|------------|--------------|------|-----|-----|------|-----|-----|------|-------------|
| PARAMETER | MIN | TYP | MAX | MIN | TYP | MAX | MIN | TYP | MAX | UNITS |
| ABSOLUTE RATINGS | | | | | | | | | | |
| Power Supply | +13.5 | +15 | +22 | * | * | * | * | * | * | V |
| Operating Temp. (A,B,C) | 0 | | +70 | * | | * | * | | * | °C |
| Operating Temp. (J,K,L) | -40 | | +85 | * | | * | * | | * | °C |
| Storage Temperature | -65 | | +150 | * | | * | * | | * | °C |
| Short Circuit Protection | Continuous | | | | * | | | * | | |
| OUTPUT VOLTAGE | | | | | | | | | | |
| VRE302-6 (1) Temp. Sensor Voltage | | 2.048 630 | | | * | | | * | | V mV |
| OUTPUT VOLTAGE ERRORS | | | | | | | | | | |
| Initial Error (2) | | | 0.20 | | | 0.35 | | | 0.40 | mV |
| Warmup Drift | | 1 | | | 2 | | | 3 | | ppm |
| T _{min} - T _{max} (3) | | | 0.6 | | | 1.0 | | | 2.0 | ppm/°C |
| Long-Term Stability | | 6 | | | * | | | * | | ppm/1000hrs |
| Noise (.1-10Hz) (4) | | 1.5 | | | * | | | * | | μVpp |
| OUTPUT CURRENT | | | | | | | | | | |
| Range | ±10 | | | * | | | * | | | mA |
| REGULATION | | | | | | | | | | |
| Line | | 6 | 10 | | * | * | | * | * | ppm/V |
| Load | | 3 | | | * | | | * | | ppm/mA |
| OUTPUT ADJUSTMENT | | | | | | | | | | |
| Range | | 10 | | | * | | | * | | mV |
| POWER SUPPLY CURRENTS (5) | | | | | | | | | | |
| VRE302-6 +PS | | 5 | 7 | | * | * | | * | * | mA |

NOTES: *Same as A/J Models.

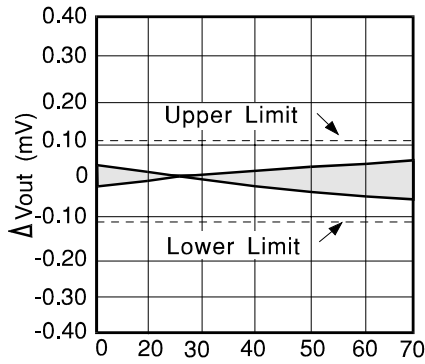
- The temp. reference TC is 2.1mV/°C
- The specified values are without external trim.
- The temperature coefficient is determined by the box method using the following formula:

$$T.C. = \frac{V_{\max} - V_{\min}}{V_{\text{nominal}} \times (T_{\max} - T_{\min})} \times 10^6$$

- The specified values are without the external noise reduction capacitor.
- The specified values are unloaded.

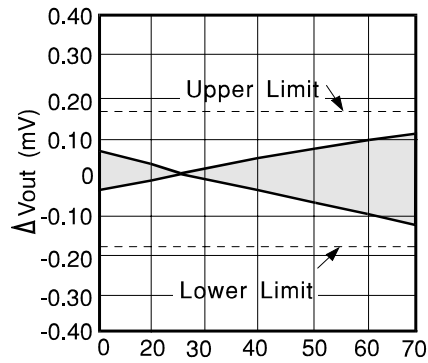
TYPICAL PERFORMANCE CURVES

V_{OUT} vs. TEMPERATURE



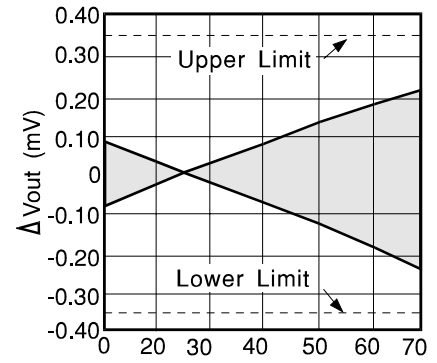
Temperature °C
VRE302-6A

V_{OUT} vs. TEMPERATURE



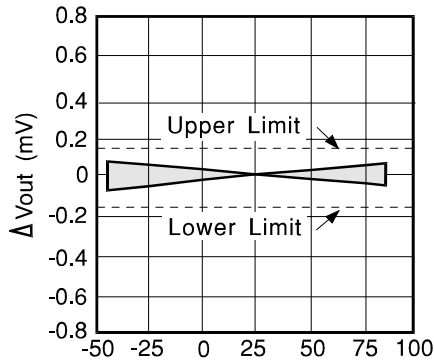
Temperature °C
VRE302-6B

V_{OUT} vs. TEMPERATURE



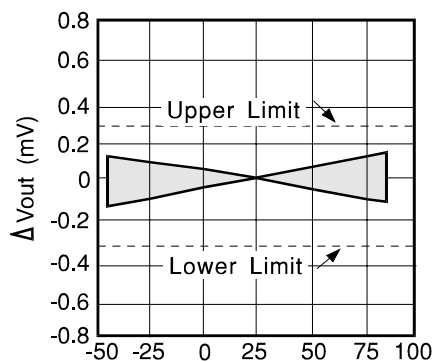
Temperature °C
VRE302-6C

V_{OUT} vs. TEMPERATURE



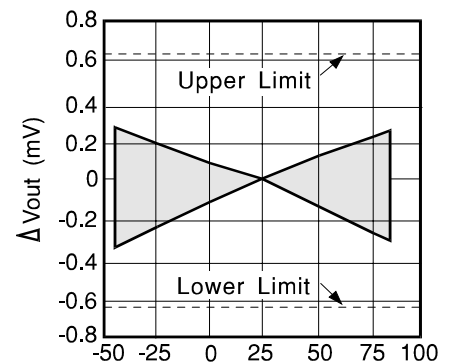
Temperature °C
VRE302-6J

V_{OUT} vs. TEMPERATURE



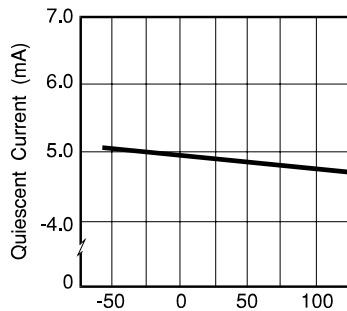
Temperature °C
VRE302-6K

V_{OUT} vs. TEMPERATURE



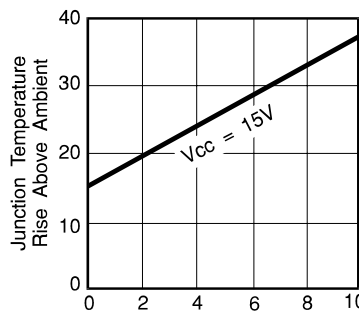
Temperature °C
VRE302-6L

QUIESCENT CURRENT vs. TEMP



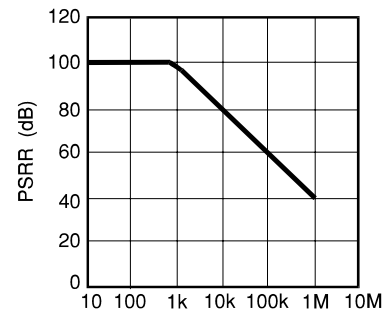
Temperature °C

JUNCTION TEMP. RISE vs. OUTPUT CURRENT



Output Current (mA)

PSRR vs. FREQUENCY



Frequency (Hz)

DISCUSSION OF PERFORMANCE

THEORY OF OPERATION

The following discussion refers to the schematic in figure 2 below. A FET current source is used to bias a 6.3V zener diode. The zener voltage is divided by the resistor network R1 and R2. This voltage is then applied to the noninverting input of the operational amplifier which amplifies the voltage to produce a 2.048V output. The gain is determined by the resistor networks R3 and R4: $G=1 + R4/R3$. The 6.3V zener diode is used because it is the most stable diode over time and temperature.

The current source provides a closely regulated zener current, which determines the slope of the references' voltage vs. temperature function. By trimming the zener current a lower drift over temperature can be achieved. But since the voltage vs. temperature function is nonlinear this compensation technique is not well suited for wide temperature ranges.

Thaler Corporation has developed a nonlinear compensation network of thermistors and resistors that is used in the VRE series voltage references. This proprietary network eliminates most of the nonlinearity in the voltage vs. temperature function. By adjusting the slope, Thaler Corporation produces a very stable voltage over wide temperature ranges.

This network is less than 2% of the overall network resistance so it has a negligible effect on long term stability.

Figure 3 shows the proper connection of the VRE302-6 series voltage references with the optional trim resistor for initial error. The VRE302-6 reference has the ground terminal brought out on two pins (pin 4 and pin 7) which are connected together internally. This allows the user to achieve greater accuracy when using a socket. Voltage references have a voltage drop across their power supply ground pin due to quiescent current flowing through the contact resistance. If the contact resistance was constant with time and temperature, this voltage drop could be trimmed out. When the reference is plugged into a socket, this source of error can be as high as 20ppm. By connecting pin 4 to the power supply ground and pin 7 to a high impedance ground point in the measurement circuit, the error due to the contact resistance can be eliminated. If the unit is soldered into place, the contact resistance is sufficiently small that it does not effect performance. Pay careful attention to the circuit layout to avoid noise pickup and voltage drops in the lines.

VRE302-6

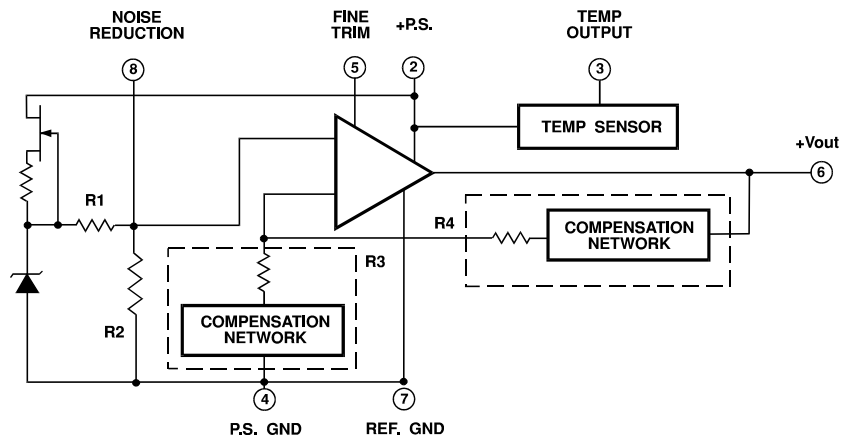


FIGURE 2

EXTERNAL CONNECTIONS

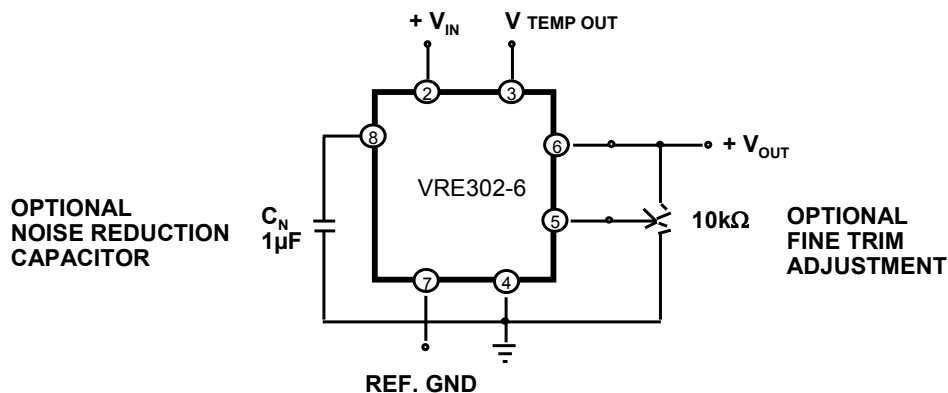
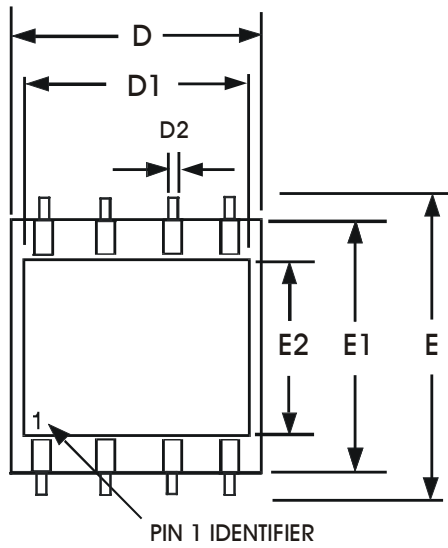


FIGURE 3

MECHANICAL

FIGURE 3



| | INCHES | | MILLIMETER | | | INCHES | | MILLIMETER | |
|-----|--------|------|------------|------|-----|--------|------|------------|------|
| DIM | MIN | MAX | MIN | MAX | DIM | MIN | MAX | MIN | MAX |
| A | .115 | .125 | 2.92 | 3.17 | D2 | .018 | .023 | 0.46 | 0.58 |
| B | .098 | .102 | 2.48 | 2.59 | E | .507 | .513 | 12.8 | 13.0 |
| B1 | .046 | .051 | 1.14 | 1.29 | E1 | .397 | .403 | 10.0 | 10.2 |
| C | .107 | .113 | 2.71 | 2.89 | E2 | .264 | .270 | 6.70 | 6.85 |
| C1 | .009 | .012 | 0.22 | 0.30 | P | .085 | .095 | 2.15 | 2.41 |
| C2 | .052 | .058 | 1.32 | 1.47 | Q | .020 | .030 | .508 | .762 |
| D | .397 | .403 | 10.0 | 10.2 | S | .045 | .055 | 1.14 | 1.39 |
| D1 | .372 | .380 | 9.44 | 9.65 | | | | | |

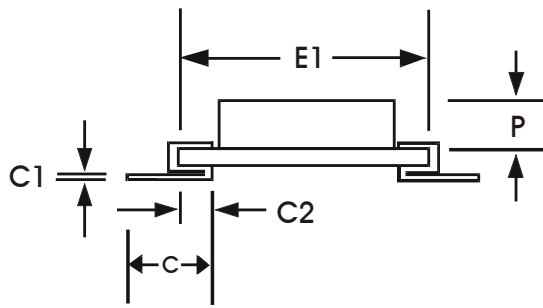
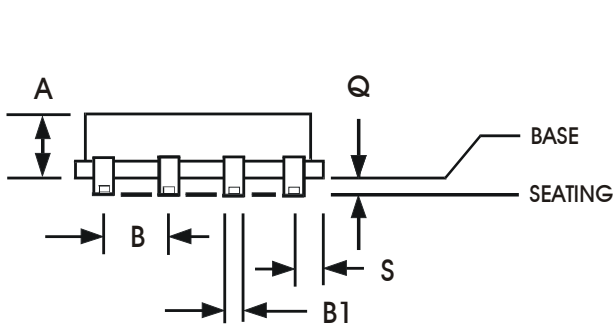
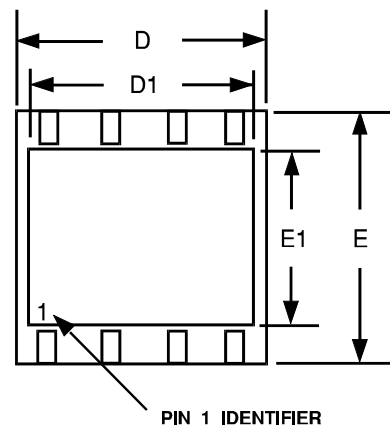
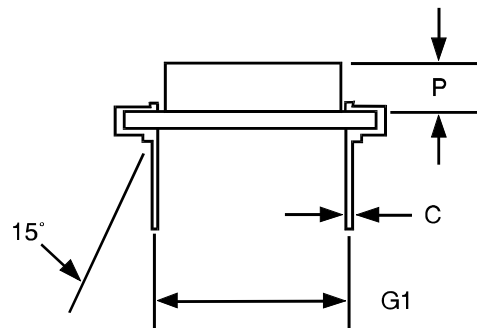
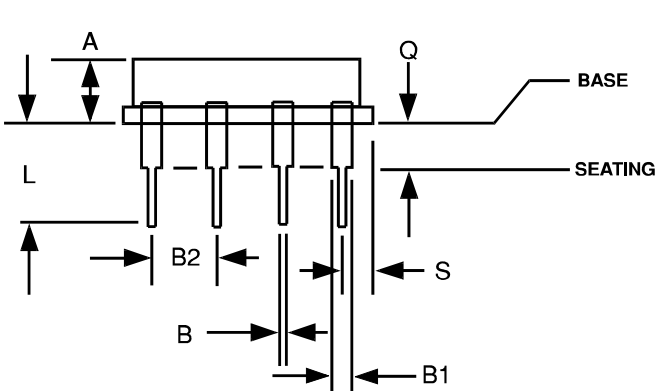
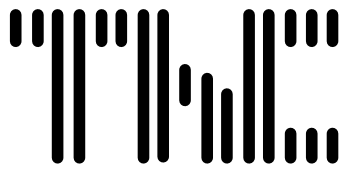


FIGURE 4



| | INCHES | | MILLIMETER | | | INCHES | | MILLIMETER | |
|-----|--------|------|------------|------|-----|--------|------|------------|------|
| DIM | MIN | MAX | MIN | MAX | DIM | MIN | MAX | MIN | MAX |
| A | .115 | .125 | 2.92 | 3.17 | E | .397 | .403 | 10.0 | 10.2 |
| B | .018 | .022 | .457 | .558 | E1 | .264 | .270 | 6.70 | 6.85 |
| B1 | .046 | .051 | 1.14 | 1.29 | G1 | .290 | .310 | 7.36 | 7.87 |
| B2 | .098 | .102 | 2.48 | 2.59 | L | .195 | .215 | 4.95 | 5.46 |
| C | .009 | .012 | 0.22 | 0.30 | P | .085 | .095 | 2.15 | 2.41 |
| D | .397 | .403 | 10.0 | 10.2 | Q | .055 | .065 | 1.39 | 1.65 |
| D1 | .372 | .380 | 9.44 | 9.65 | S | .045 | .055 | 1.14 | 1.39 |





VRE303

Low Cost Precision Reference

THALER CORPORATION • 2015 N. FORBES BOULEVARD • TUCSON, AZ. 85745 • (520) 882-4000

FEATURES

- 3.000 V OUTPUT \pm 0.300 mV (.01%)
- TEMPERATURE DRIFT: 0.6 ppm/°C
- LOW NOISE: 1.5 μ V_{p-p} (0.1-10Hz)
- INDUSTRY STD PINOUT- 8 PIN DIP OR SURFACE MOUNT PACKAGE
- EXCELLENT LINE REGULATION: 6ppm/V Typ.
- OUTPUT TRIM CAPABILITY

DESCRIPTION

The VRE303 is a low cost, high precision 3.0V reference. Packaged in the industry standard 8 pin DIP, the device is ideal for upgrading systems that use lower performance references.

The device provides ultrastable +3.000V output with \pm 0.3000 mV (.01%) initial accuracy and a temperature coefficient of 0.6 ppm/°C. This improvement in accuracy is made possible by a unique, patented multipoint laser compensation technique developed by Thaler Corporation. Significant improvements have been made in other performance parameters as well, including initial accuracy, warm-up drift, line regulation, and long-term stability, making the VRE303 series the most accurate reference available in the standard 8 pin DIP package.

For enhanced performance, the VRE303 has an external trim option for users who want less than 0.01% initial error. For ultra low noise applications, an external capacitor can be attached between the noise reduction pin and the ground pin. A reference ground pin is provided to eliminate socket contact resistance errors.

PIN CONFIGURATION

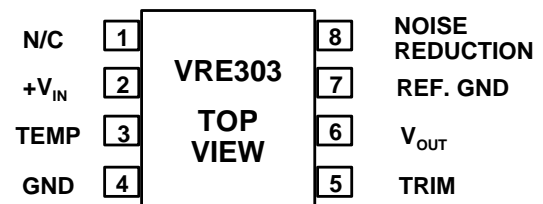


FIGURE 1

The VRE303 is recommended for use as a reference for 14, 16, or 18 bit D/A converters which require an external precision reference. The device is also ideal for calibrating scale factor on high resolution A/D converters. The VRE303 offers superior performance over monolithic references.

SELECTION GUIDE

| Model | Initial Error mV | Temp. Coeff. ppm/°C | Temp. Range °C |
|---------|------------------|---------------------|----------------|
| VRE303A | 0.30 | 0.6 | 0°C to +70°C |
| VRE303B | 0.48 | 1.0 | 0°C to +70°C |
| VRE303C | 0.60 | 2.0 | 0°C to +70°C |
| VRE303J | 0.30 | 0.6 | -40°C to +85°C |
| VRE303K | 0.48 | 1.0 | -40°C to +85°C |
| VRE303L | 0.60 | 2.0 | -40°C to +85°C |

For package option add D for DIP or S for Surface Mount to end of model number.

ELECTRICAL SPECIFICATIONS

VRE303

Vps = +15V, T = 25°C, RL = 10KΩ unless otherwise noted.

| MODEL | A/J | | | B/K | | | C/L | | | |
|---|------------|--------------|------|-----|-----|------|-----|-----|------|-------------|
| PARAMETER | MIN | TYP | MAX | MIN | TYP | MAX | MIN | TYP | MAX | UNITS |
| ABSOLUTE RATINGS | | | | | | | | | | |
| Power Supply | +14 | +15 | +16 | * | * | * | * | * | * | V |
| Operating Temp. (A,B,C) | 0 | | +70 | * | | * | * | | * | °C |
| Operating Temp. (J,K,L) | -40 | | +85 | * | | * | * | | * | °C |
| Storage Temperature | -65 | | +150 | * | | * | * | | * | °C |
| Short Circuit Protection | Continuous | | | | * | | | * | | |
| OUTPUT VOLTAGE | | | | | | | | | | |
| VRE303 (1) Temp. Sensor Voltage | | 3.000 630 | | | * | | | * | | V mV |
| OUTPUT VOLTAGE ERRORS | | | | | | | | | | |
| Initial Error (2) | | | 0.30 | | | 0.48 | | | 0.60 | mV |
| Warmup Drift | | 1 | | | 2 | | | 3 | | ppm |
| T _{min} - T _{max} (3) | | | 0.6 | | * | 1.0 | | * | 2.0 | ppm/°C |
| Long-Term Stability | | 6 | | | * | | | * | | ppm/1000hrs |
| Noise (.1-10Hz) (4) | | 2.0 | | | * | | | * | | μVpp |
| OUTPUT CURRENT | | | | | | | | | | |
| Range | ±10 | | | * | | | * | | | mA |
| REGULATION | | | | | | | | | | |
| Line | | 6 | 10 | | * | * | | * | * | ppm/V |
| Load | | 3 | | | * | | | * | | ppm/mA |
| OUTPUT ADJUSTMENT | | | | | | | | | | |
| Range | | 10 | | | * | | | * | | mV |
| POWER SUPPLY CURRENTS (5) | | | | | | | | | | |
| VRE303 +PS | | 5 | 7 | | * | * | | * | * | mA |

NOTES: *Same as A/J Models.

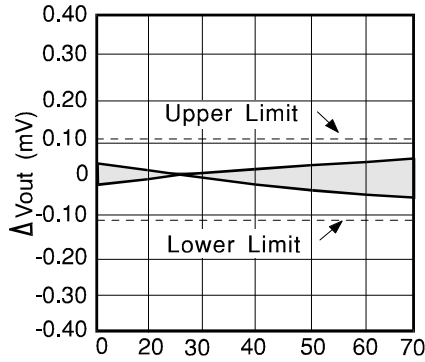
- The temp. reference TC is 2.1mV/ °C
- The specified values are without external trim.
- The temperature coefficient is determined by the box method using the following formula:

$$T.C. = \frac{V_{\max} - V_{\min}}{V_{\text{nominal}} \times (T_{\max} - T_{\min})} \times 10^6$$

- The specified values are without the external noise reduction capacitor.
- The specified values are unloaded.

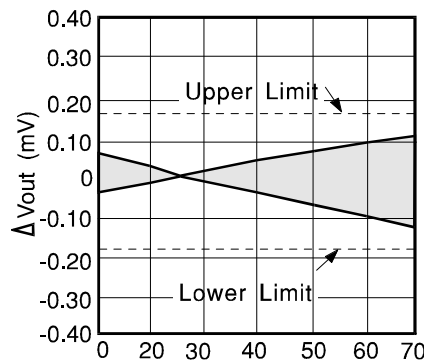
TYPICAL PERFORMANCE CURVES

V_{OUT} vs. TEMPERATURE



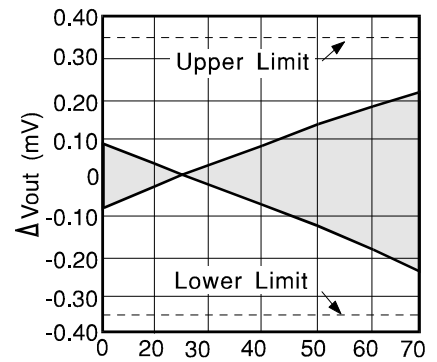
**Temperature °C
VRE303A**

V_{OUT} vs. TEMPERATURE



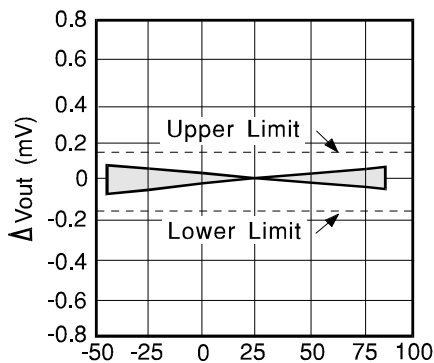
**Temperature °C
VRE303B**

V_{OUT} vs. TEMPERATURE



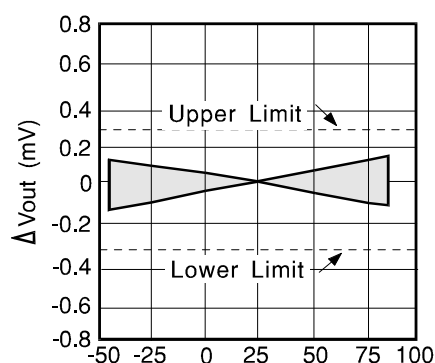
**Temperature °C
VRE303C**

V_{OUT} vs. TEMPERATURE



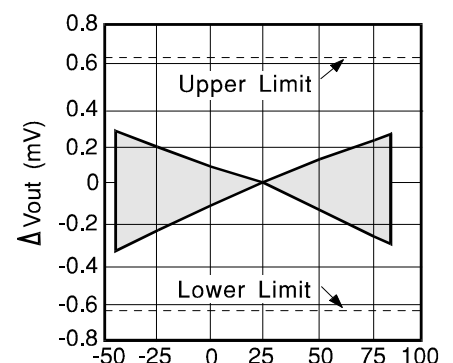
**Temperature °C
VRE303J**

V_{OUT} vs. TEMPERATURE



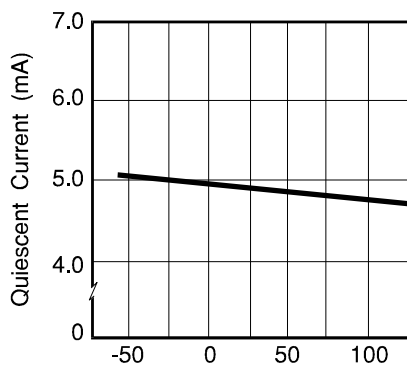
**Temperature °C
VRE303K**

V_{OUT} vs. TEMPERATURE



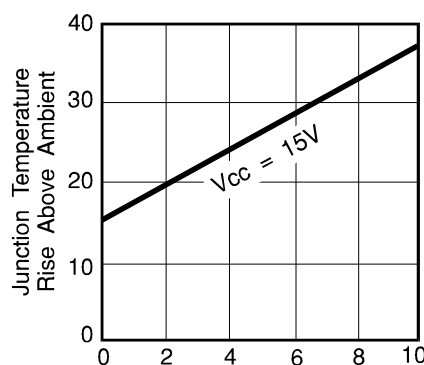
**Temperature °C
VRE303L**

QUIESCENT CURRENT vs. TEMP



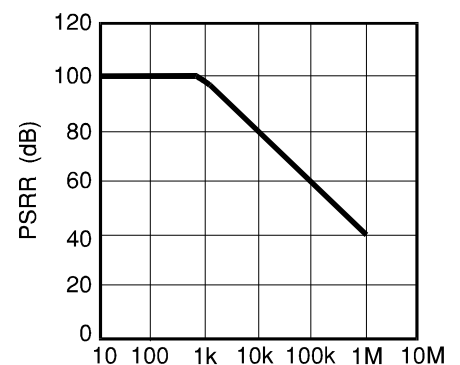
Temperature °C

JUNCTION TEMP. RISE vs. OUTPUT CURRENT



Output Current (mA)

PSRR vs. FREQUENCY



Frequency (Hz)

DISCUSSION OF PERFORMANCE

THEORY OF OPERATION

The following discussion refers to the schematic in figure 2 below. A FET current source is used to bias a 6.3V zener diode. The zener voltage is divided by the resistor network R1 and R2. This voltage is then applied to the noninverting input of the operational amplifier which amplifies the voltage to produce a 3.000V output. The gain is determined by the resistor networks R3 and R4: $G=1 + R4/R3$. The 6.3V zener diode is used because it is the most stable diode over time and temperature.

The current source provides a closely regulated zener current, which determines the slope of the references' voltage vs. temperature function. By trimming the zener current a lower drift over temperature can be achieved. But since the voltage vs. temperature function is nonlinear this compensation technique is not well suited for wide temperature ranges.

Thaler Corporation has developed a nonlinear compensation network of thermistors and resistors that is used in the VRE series voltage references. This proprietary network eliminates most of the nonlinearity in the voltage vs. temperature function. By adjusting the slope, Thaler Corporation produces a very stable voltage over wide temperature ranges.

This network is less than 2% of the overall network resistance so it has a negligible effect on long term stability.

Figure 3 shows the proper connection of the VRE303 series voltage references with the optional trim resistor for initial error and the optional capacitor for noise reduction. The VRE303 reference has the ground terminal brought out on two pins (pin 4 and pin 7) which are connected together internally. This allows the user to achieve greater accuracy when using a socket. Voltage references have a voltage drop across their power supply ground pin due to quiescent current flowing through the contact resistance. If the contact resistance was constant with time and temperature, this voltage drop could be trimmed out. When the reference is plugged into a socket, this source of error can be as high as 20ppm. By connecting pin 4 to the power supply ground and pin 7 to a high impedance ground point in the measurement circuit, the error due to the contact resistance can be eliminated. If the unit is soldered into place, the contact resistance is sufficiently small that it does not effect performance. Pay careful attention to the circuit layout to avoid noise pickup and voltage drops in the lines.

VRE303

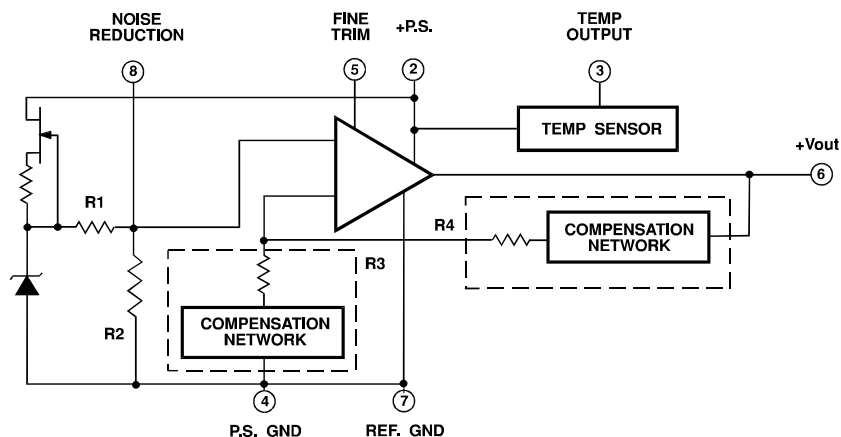


FIGURE 2

EXTERNAL CONNECTIONS

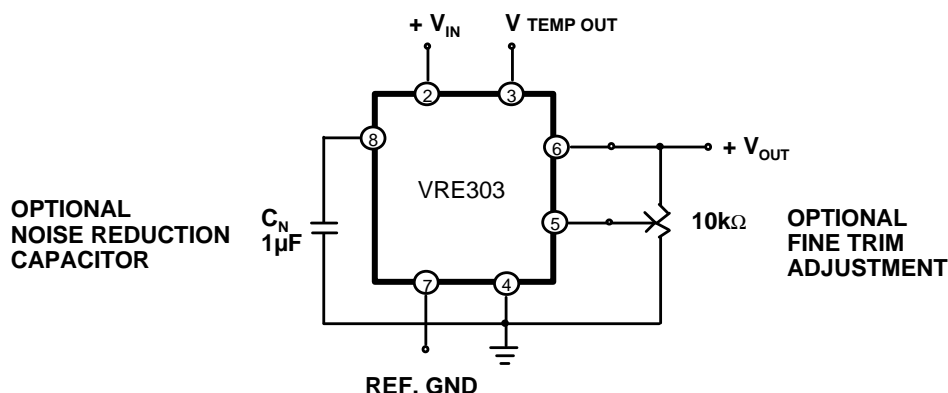
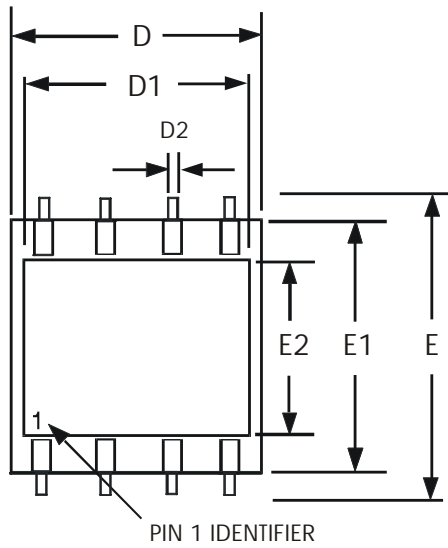


FIGURE 3

MECHANICAL

FIGURE 3



| DIM | INCHES | | MILLIMETER | | DIM | INCHES | | MILLIMETER | |
|-----|--------|------|------------|------|-----|--------|------|------------|------|
| | MIN | MAX | MIN | MAX | | MIN | MAX | MIN | MAX |
| A | .115 | .125 | 2.92 | 3.17 | D2 | .018 | .023 | 0.46 | 0.58 |
| B | .098 | .102 | 2.48 | 2.59 | E | .507 | .513 | 12.8 | 13.0 |
| B1 | .046 | .051 | 1.14 | 1.29 | E1 | .397 | .403 | 10.0 | 10.2 |
| C | .107 | .113 | 2.71 | 2.89 | E2 | .264 | .270 | 6.70 | 6.85 |
| C1 | .009 | .012 | 0.22 | 0.30 | P | .085 | .095 | 2.15 | 2.41 |
| C2 | .052 | .058 | 1.32 | 1.47 | Q | .020 | .030 | .508 | .762 |
| D | .397 | .403 | 10.0 | 10.2 | S | .045 | .055 | 1.14 | 1.39 |
| D1 | .372 | .380 | 9.44 | 9.65 | | | | | |

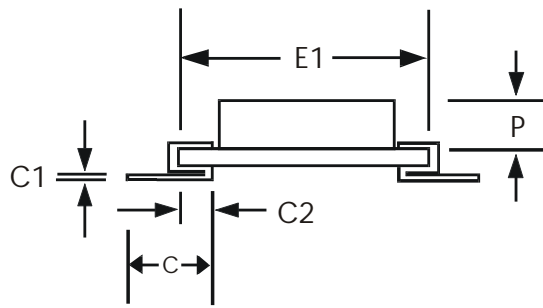
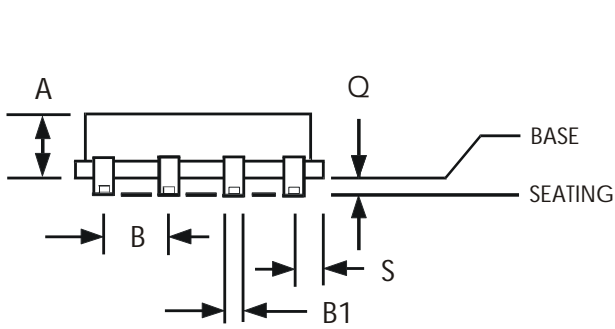
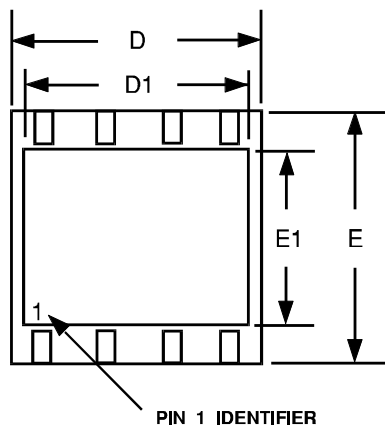
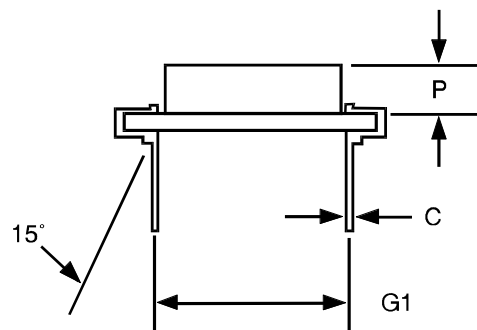
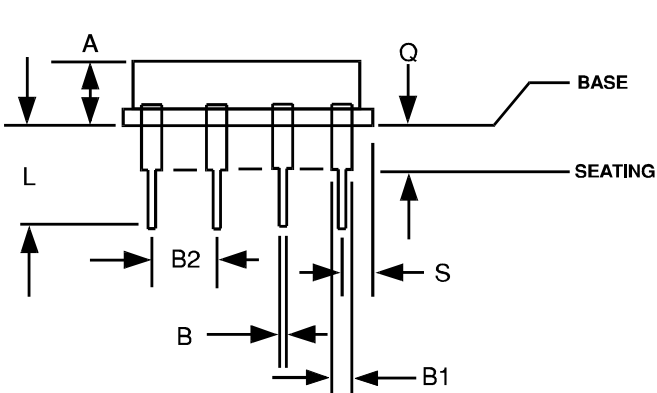


FIGURE 4



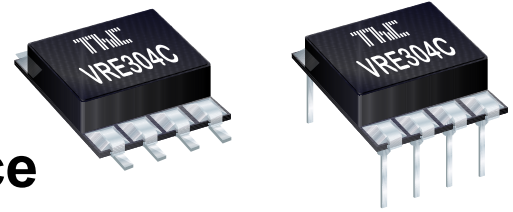
| DIM | INCHES | | MILLIMETER | | DIM | INCHES | | MILLIMETER | |
|-----|--------|------|------------|------|-----|--------|------|------------|------|
| | MIN | MAX | MIN | MAX | | MIN | MAX | MIN | MAX |
| A | .115 | .125 | 2.92 | 3.17 | E | .397 | .403 | 10.0 | 10.2 |
| B | .018 | .022 | .457 | .558 | E1 | .264 | .270 | 6.70 | 6.85 |
| B1 | .046 | .051 | 1.14 | 1.29 | G1 | .290 | .310 | 7.36 | 7.87 |
| B2 | .098 | .102 | 2.48 | 2.59 | L | .195 | .215 | 4.95 | 5.46 |
| C | .009 | .012 | 0.22 | 0.30 | P | .085 | .095 | 2.15 | 2.41 |
| D | .397 | .403 | 10.0 | 10.2 | Q | .055 | .065 | 1.39 | 1.65 |
| D1 | .372 | .380 | 9.44 | 9.65 | S | .045 | .055 | 1.14 | 1.39 |





VRE304

Low Cost Precision Reference



THALER CORPORATION • 2015 N. FORBES BOULEVARD • TUCSON, AZ. 85745 • (520) 882-4000

FEATURES

- 4.500 V OUTPUT ± 0.450 mV (.01%)
- TEMPERATURE DRIFT: 0.6 ppm/ $^{\circ}$ C
- LOW NOISE: $3\mu\text{V}_{\text{p-p}}$ (0.1-10Hz)
- INDUSTRY STD PINOUT- 8 PIN DIP OR SURFACE MOUNT PACKAGE
- EXCELLENT LINE REGULATION: 6ppm/V Typ.
- OUTPUT TRIM CAPABILITY

DESCRIPTION

The VRE304 is a low cost, high precision 4.5V reference. Packaged in the industry standard 8 pin DIP, the device is ideal for upgrading systems that use lower performance references.

The device provides ultrastable +4.500V output with ± 0.4500 mV (.01%) initial accuracy and a temperature coefficient of 0.6 ppm/ $^{\circ}$ C. This improvement in accuracy is made possible by a unique, patented multipoint laser compensation technique developed by Thaler Corporation. Significant improvements have been made in other performance parameters as well, including initial accuracy, warm-up drift, line regulation, and long-term stability, making the VRE304 series the most accurate reference available in the standard 8 pin DIP package.

For enhanced performance, the VRE304 has an external trim option for users who want less than 0.01% initial error. For ultra low noise applications, an external capacitor can be attached between the noise reduction pin and the ground pin. A reference ground pin is provided to eliminate socket contact resistance errors.

PIN CONFIGURATION

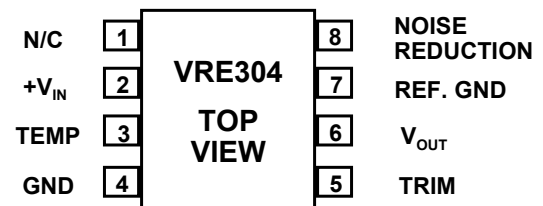


FIGURE 1

The VRE304 is recommended for use as a reference for 14, 16, or 18 bit D/A converters which require an external precision reference. The device is also ideal for calibrating scale factor on high resolution A/D converters. The VRE304 offers superior performance over monolithic references.

SELECTION GUIDE

| Model | Initial Error mV | Temp. Coeff. ppm/ $^{\circ}$ C | Temp. Range $^{\circ}$ C |
|---------|------------------|--------------------------------|--------------------------------------|
| VRE304A | 0.45 | 0.6 | 0 $^{\circ}$ C to +70 $^{\circ}$ C |
| VRE304B | 0.70 | 1.0 | 0 $^{\circ}$ C to +70 $^{\circ}$ C |
| VRE304C | 0.90 | 2.0 | 0 $^{\circ}$ C to +70 $^{\circ}$ C |
| VRE304J | 0.45 | 0.6 | -40 $^{\circ}$ C to +85 $^{\circ}$ C |
| VRE304K | 0.70 | 1.0 | -40 $^{\circ}$ C to +85 $^{\circ}$ C |
| VRE304L | 0.90 | 2.0 | -40 $^{\circ}$ C to +85 $^{\circ}$ C |

For package option add D for DIP or S for Surface Mount to end of model number.

ELECTRICAL SPECIFICATIONS

VRE304

V_{ps} = +15V, T = 25°C, R_L = 10KΩ unless otherwise noted.

| MODEL | A/J | | | B/K | | | C/L | | | |
|---|------------|--------------|------|-----|-----|------|-----|-----|------|-------------|
| PARAMETER | MIN | TYP | MAX | MIN | TYP | MAX | MIN | TYP | MAX | UNITS |
| ABSOLUTE RATINGS | | | | | | | | | | |
| Power Supply | +13.5 | +15 | +22 | * | * | * | * | * | * | V |
| Operating Temp. (A,B,C) | 0 | | +70 | * | | * | * | | * | °C |
| Operating Temp. (J,K,L) | -40 | | +85 | * | | * | * | | * | °C |
| Storage Temperature | -65 | | +150 | * | | * | * | | * | °C |
| Short Circuit Protection | Continuous | | | | * | | | * | | |
| OUTPUT VOLTAGE | | | | | | | | | | |
| VRE304 (1) Temp. Sensor Voltage | | 4.500 630 | | | * | | | * | | V mV |
| OUTPUT VOLTAGE ERRORS | | | | | | | | | | |
| Initial Error (2) | | | 0.45 | | | 0.70 | | | 0.90 | mV |
| Warmup Drift | | 1 | | | 2 | | | 3 | | ppm |
| T _{min} - T _{max} (3) | | | 0.6 | | | 1.0 | | | 2.0 | ppm/°C |
| Long-Term Stability | | 6 | | | * | | | * | | ppm/1000hrs |
| Noise (.1-10Hz) (4) | | 3 | | | * | | | * | | μVpp |
| OUTPUT CURRENT | | | | | | | | | | |
| Range | ±10 | | | * | | | * | | | mA |
| REGULATION | | | | | | | | | | |
| Line | | 6 | 10 | | * | * | | * | * | ppm/V |
| Load | | 3 | | | * | | | * | | ppm/mA |
| OUTPUT ADJUSTMENT | | | | | | | | | | |
| Range | | 10 | | | * | | | * | | mV |
| POWER SUPPLY CURRENTS (5) | | | | | | | | | | |
| VRE304 +PS | | 5 | 7 | | * | * | | * | * | mA |

NOTES: *Same as A/J Models.

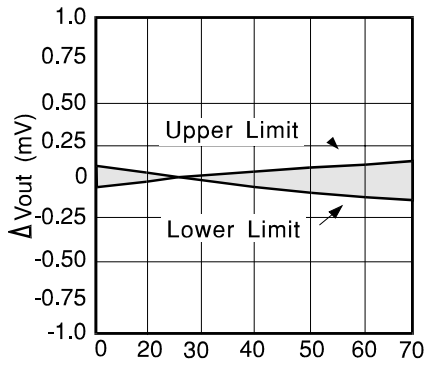
- The temp. reference TC is 2.1mV/ °C
- The specified values are without external trim.
- The temperature coefficient is determined by the box method using the following formula:

$$T.C. = \frac{V_{max} - V_{min}}{V_{nominal} \times (T_{max} - T_{min})} \times 10^6$$

- The specified values are without the external noise reduction capacitor.
- The specified values are unloaded.

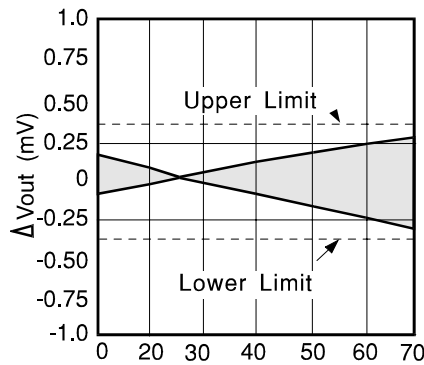
TYPICAL PERFORMANCE CURVES

V_{OUT} vs. TEMPERATURE



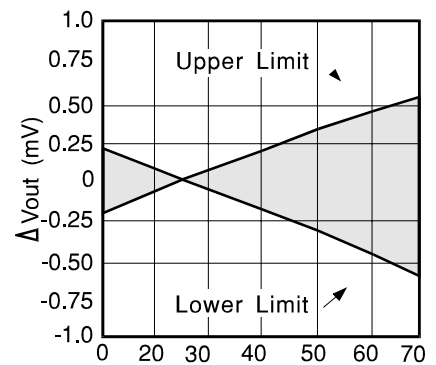
**Temperature °C
VRE304A**

V_{OUT} vs. TEMPERATURE



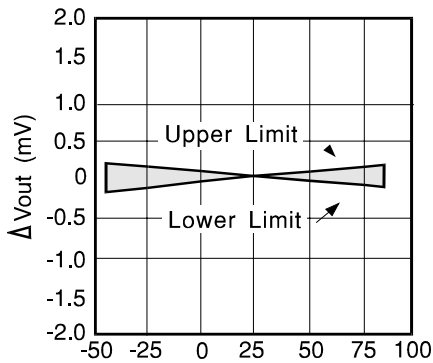
**Temperature °C
VRE304B**

V_{OUT} vs. TEMPERATURE



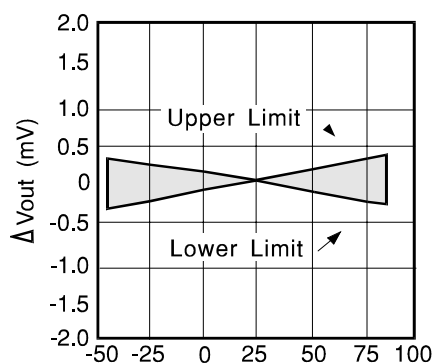
**Temperature °C
VRE304C**

V_{OUT} vs. TEMPERATURE



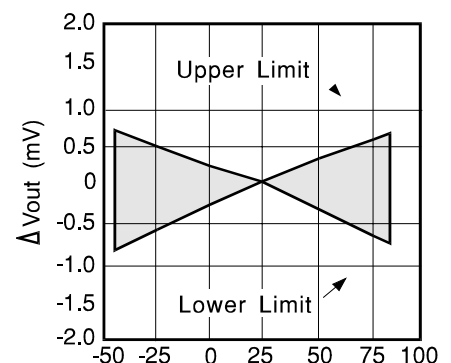
**Temperature °C
VRE304J**

V_{OUT} vs. TEMPERATURE



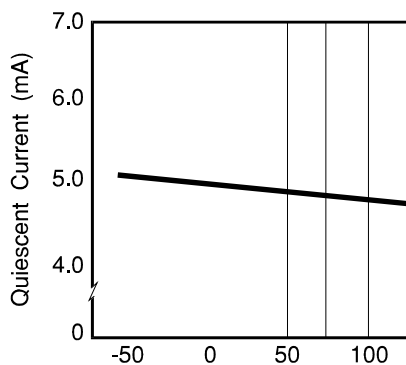
**Temperature °C
VRE304K**

V_{OUT} vs. TEMPERATURE



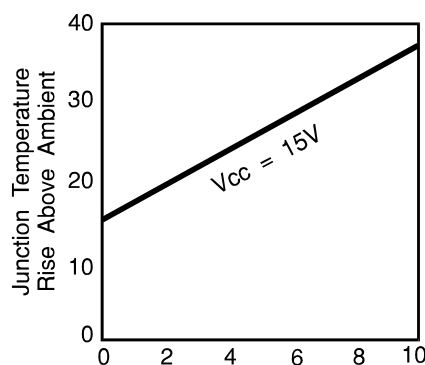
**Temperature °C
VRE304L**

QUIESCENT CURRENT vs. TEMP



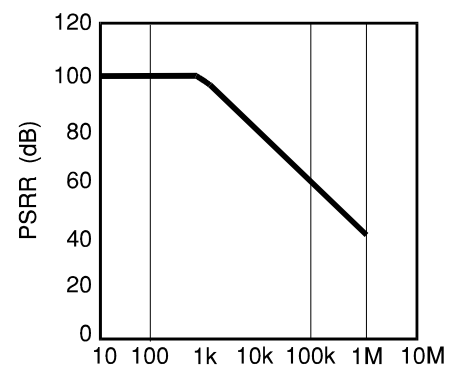
Temperature °C

JUNCTION TEMP. RISE vs. OUTPUT CURRENT



Output Current (mA)

PSRR vs. FREQUENCY



Frequency (Hz)

DISCUSSION OF PERFORMANCE

THEORY OF OPERATION

The following discussion refers to the schematic in figure 2 below. A FET current source is used to bias a 6.3V zener diode. The zener voltage is divided by the resistor network R1 and R2. This voltage is then applied to the noninverting input of the operational amplifier which amplifies the voltage to produce a 4.500V output. The gain is determined by the resistor networks R3 and R4: $G=1 + R4/R3$. The 6.3V zener diode is used because it is the most stable diode over time and temperature.

The current source provides a closely regulated zener current, which determines the slope of the references' voltage vs. temperature function. By trimming the zener current a lower drift over temperature can be achieved. But since the voltage vs. temperature function is nonlinear this compensation technique is not well suited for wide temperature ranges.

Thaler Corporation has developed a nonlinear compensation network of thermistors and resistors that is used in the VRE series voltage references. This proprietary network eliminates most of the nonlinearity in the voltage vs. temperature function. By adjusting the slope, Thaler Corporation produces a very stable voltage over wide temperature ranges.

This network is less than 2% of the overall network resistance so it has a negligible effect on long term stability.

Figure 3 shows the proper connection of the VRE304 series voltage references with the optional trim resistor for initial error and the optional capacitor for noise reduction. The VRE304 reference has the ground terminal brought out on two pins (pin 4 and pin 7) which are connected together internally. This allows the user to achieve greater accuracy when using a socket. Voltage references have a voltage drop across their power supply ground pin due to quiescent current flowing through the contact resistance. If the contact resistance was constant with time and temperature, this voltage drop could be trimmed out. When the reference is plugged into a socket, this source of error can be as high as 20ppm. By connecting pin 4 to the power supply ground and pin 7 to a high impedance ground point in the measurement circuit, the error due to the contact resistance can be eliminated. If the unit is soldered into place, the contact resistance is sufficiently small that it does not effect performance. Pay careful attention to the circuit layout to avoid noise pickup and voltage drops in the lines.

VRE304

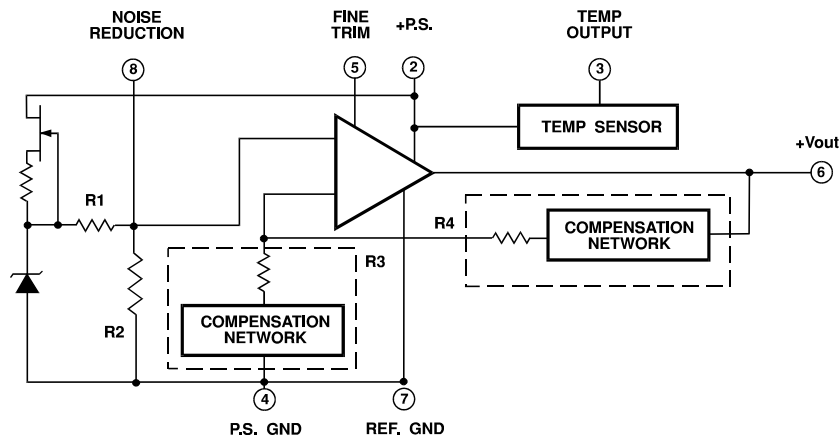


FIGURE 2

EXTERNAL CONNECTIONS

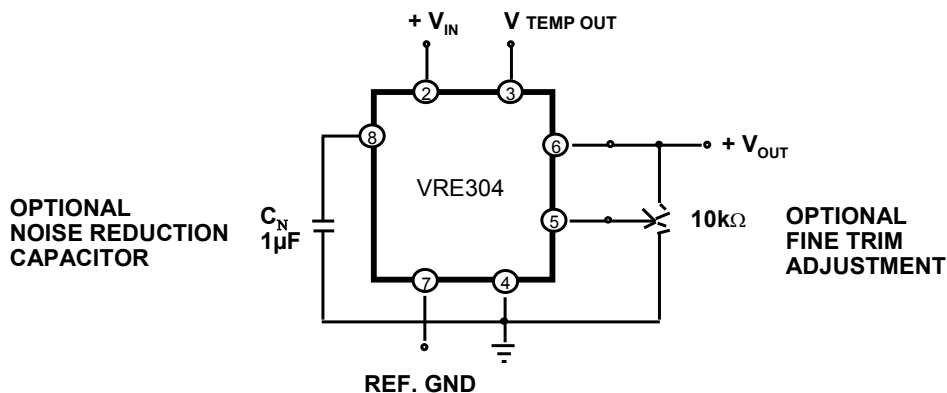
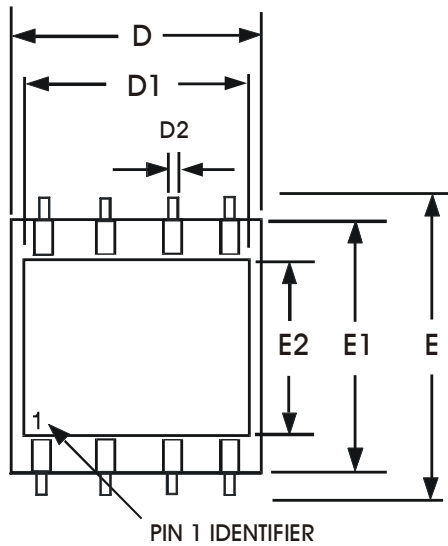


FIGURE 3

MECHANICAL

FIGURE 3



| | INCHES | | MILLIMETER | | | INCHES | | MILLIMETER | |
|-----|--------|------|------------|------|-----|--------|------|------------|------|
| DIM | MIN | MAX | MIN | MAX | DIM | MIN | MAX | MIN | MAX |
| A | .115 | .125 | 2.92 | 3.17 | D2 | .018 | .023 | 0.46 | 0.58 |
| B | .098 | .102 | 2.48 | 2.59 | E | .507 | .513 | 12.8 | 13.0 |
| B1 | .046 | .051 | 1.14 | 1.29 | E1 | .397 | .403 | 10.0 | 10.2 |
| C | .107 | .113 | 2.71 | 2.89 | E2 | .264 | .270 | 6.70 | 6.85 |
| C1 | .009 | .012 | 0.22 | 0.30 | P | .085 | .095 | 2.15 | 2.41 |
| C2 | .052 | .058 | 1.32 | 1.47 | Q | .020 | .030 | .508 | .762 |
| D | .397 | .403 | 10.0 | 10.2 | S | .045 | .055 | 1.14 | 1.39 |
| D1 | .372 | .380 | 9.44 | 9.65 | | | | | |

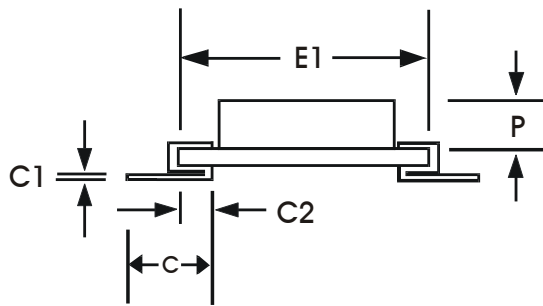
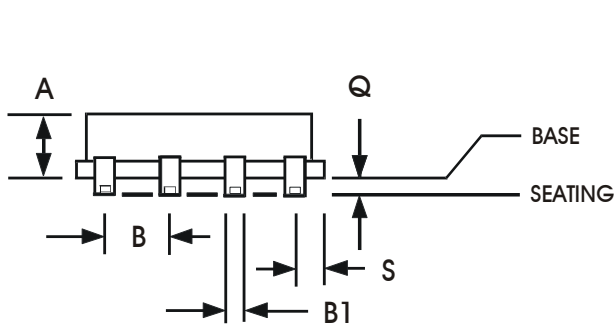
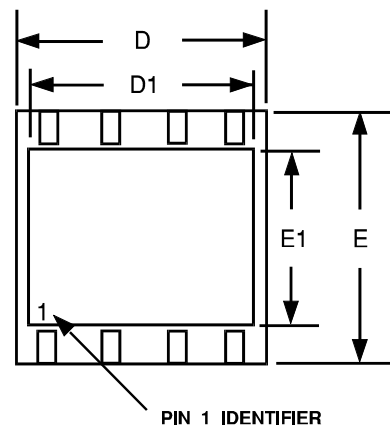
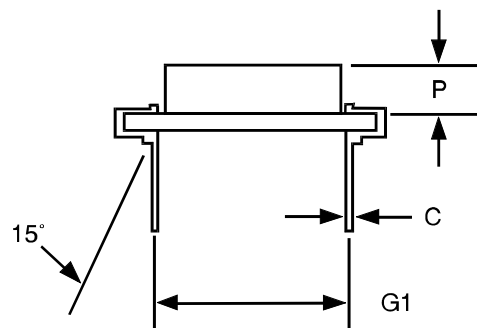
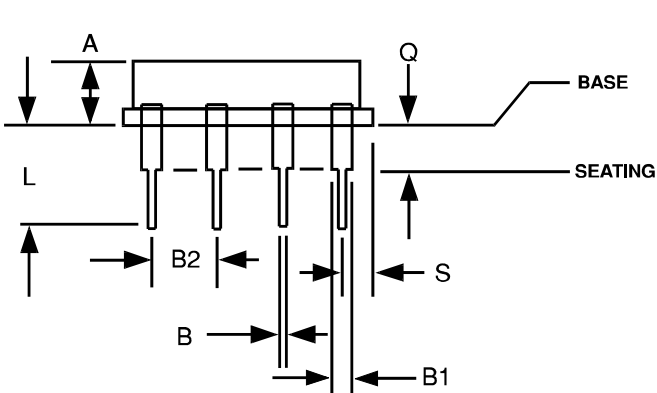


FIGURE 4

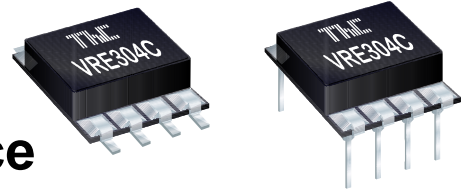


| | INCHES | | MILLIMETER | | | INCHES | | MILLIMETER | |
|-----|--------|------|------------|------|-----|--------|------|------------|------|
| DIM | MIN | MAX | MIN | MAX | DIM | MIN | MAX | MIN | MAX |
| A | .115 | .125 | 2.92 | 3.17 | E | .397 | .403 | 10.0 | 10.2 |
| B | .018 | .022 | .457 | .558 | E1 | .264 | .270 | 6.70 | 6.85 |
| B1 | .046 | .051 | 1.14 | 1.29 | G1 | .290 | .310 | 7.36 | 7.87 |
| B2 | .098 | .102 | 2.48 | 2.59 | L | .195 | .215 | 4.95 | 5.46 |
| C | .009 | .012 | 0.22 | 0.30 | P | .085 | .095 | 2.15 | 2.41 |
| D | .397 | .403 | 10.0 | 10.2 | Q | .055 | .065 | 1.39 | 1.65 |
| D1 | .372 | .380 | 9.44 | 9.65 | S | .045 | .055 | 1.14 | 1.39 |





VRE304-6 Low Cost Precision Reference



THALER CORPORATION • 2015 N. FORBES BOULEVARD • TUCSON, AZ. 8574 5 • (520) 882 -4000

FEATURES

- 4.096 V OUTPUT \pm 0.409 mV (.01%)
- TEMPERATURE DRIFT: 0.6 ppm/°C
- LOW NOISE: 3 μ V_{p-p} (0.1-10Hz)
- INDUSTRY STD PINOUT- 8 PIN DIP OR SURFACE MOUNT PACKAGE
- EXCELLENT LINE REGULATION: 6ppm/V Typ.
- OPERATES ON +15V SUPPLY

PIN CONFIGURATION

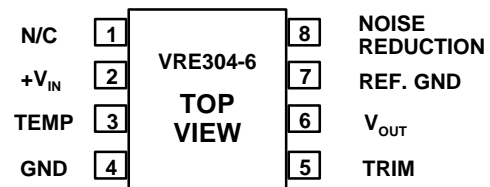


FIGURE 1

DESCRIPTION

The VRE304-6 is a low cost, high precision 4.096V reference. Packaged in the industry standard 8 pin DIP, the device is ideal for upgrading systems that use lower performance references.

The device provides ultrastable +4.096V output with \pm 0.409 mV (.01%) initial accuracy and a temperature coefficient of 0.6 ppm/°C. This improvement in accuracy is made possible by a unique, patented multipoint laser compensation technique developed by Thaler Corporation. Significant improvements have been made in other performance parameters as well, including initial accuracy, warm-up drift, line regulation, and long-term stability, making the VRE304-6 series the most accurate reference available in the standard 8 pin DIP package.

For enhanced performance, the VRE304-6 has an external trim option for users who want less than 0.01% initial error. For ultra low noise applications, an external capacitor can be attached between the noise reduction pin and the ground pin. A reference ground pin is provided to eliminate socket contact resistance errors.

The VRE304-6 is recommended for use as a reference for 14, 16, or 18 bit D/A converters which require an external precision reference. The device is also ideal for calibrating scale factor on high resolution A/D converters. The VRE304-6 offers superior performance over monolithic references.

SELECTION GUIDE

| Model | Initial Error mV | Temp. Coeff. ppm/°C | Temp. Range °C |
|-----------|------------------|---------------------|----------------|
| VRE304-6A | 0.41 | 0.6 | 0°C to +70°C |
| VRE304-6B | 0.64 | 1.0 | 0°C to +70°C |
| VRE304-6C | 0.82 | 2.0 | 0°C to +70°C |
| VRE304-6J | 0.41 | 0.6 | -40°C to +85°C |
| VRE304-6K | 0.64 | 1.0 | -40°C to +85°C |
| VRE304-6L | 0.82 | 2.0 | -40°C to +85°C |

For package option add D for DIP or S for Surface Mount to end of model number.

ELECTRICAL SPECIFICATIONS

VRE304-6

Vps =+15V, T = 25°C, RL = 10KΩ unless otherwise noted.

| MODEL | | A/J | | | B/K | | | C/L | | | |
|---|------------|-------|------|-----|-----|------|-----|-----|------|-------------|--|
| PARAMETER | MIN | TYP | MAX | MIN | TYP | MAX | MIN | TYP | MAX | UNITS | |
| ABSOLUTE RATINGS | | | | | | | | | | | |
| Power Supply | +13 | +15 | +22 | * | * | * | * | * | * | V | |
| Operating Temp. (A,B,C) | 0 | | +70 | * | | * | * | | * | °C | |
| Operating Temp. (J,K,L) | -40 | | +85 | * | | * | * | | * | °C | |
| Storage Temperature | -65 | | +150 | * | | * | * | | * | °C | |
| Short Circuit Protection | Continuous | | | | * | | | * | | | |
| OUTPUT VOLTAGE | | | | | | | | | | | |
| VRE304-6 (1) | | 4.096 | | | * | | | * | | V | |
| Temp. Sensor Voltage | | 630 | | | * | | | * | | mV | |
| OUTPUT VOLTAGE ERRORS | | | | | | | | | | | |
| Initial Error (2) | | | 0.41 | | | 0.64 | | | 0.82 | mV | |
| Warmup Drift | | 1 | | | 2 | | | 3 | | ppm | |
| T _{min} - T _{max} (3) | | | 0.6 | | * | 1.0 | | * | 2.0 | ppm/°C | |
| Long-Term Stability | | 6 | | | * | | | * | | ppm/1000hrs | |
| Noise (.1-10Hz) (4) | | 3 | | | * | | | * | | μVpp | |
| OUTPUT CURRENT | | | | | | | | | | | |
| Range | ±10 | | | * | | | * | | | mA | |
| REGULATION | | | | | | | | | | | |
| Line | | 6 | 10 | | * | * | | * | * | ppm/V | |
| Load | | 3 | | | * | | | * | | ppm/mA | |
| OUTPUT ADJUSTMENT | | | | | | | | | | | |
| Range | | 10 | | | * | | | * | | mV | |
| POWER SUPPLY CURRENTS (5) | | | | | | | | | | | |
| VRE304-6 +PS | | 5 | 7 | | * | * | | * | * | mA | |

NOTES: *Same as A/J Models.

- The temp. reference TC is 2.1mV/ °C
- The specified values are without external trim.
- The temperature coefficient is determined by the box method using the following formula:

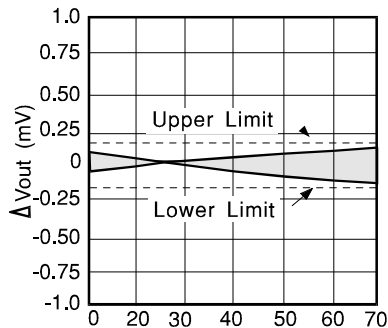
$$T.C. = \frac{V_{max} - V_{min}}{V_{nominal} \times (T_{max} - T_{min})} \times 10^6$$

4. The specified values are without the external noise reduction capacitor.

5. The specified values are unloaded.

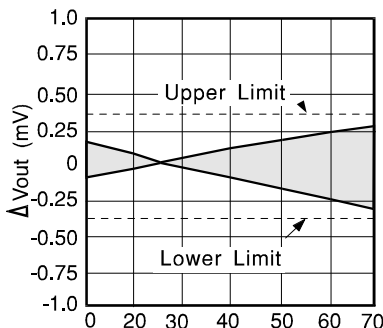
TYPICAL PERFORMANCE CURVES

V_{OUT} vs. TEMPERATURE



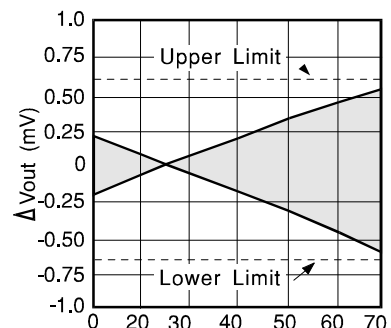
**Temperature °C
VRE304-6A**

V_{OUT} vs. TEMPERATURE



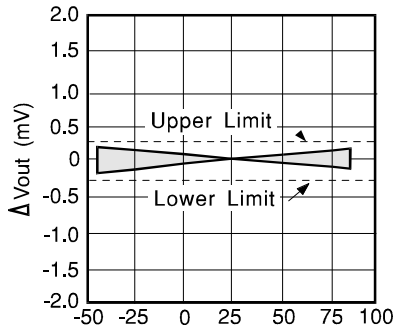
**Temperature °C
VRE304-6B**

V_{OUT} vs. TEMPERATURE



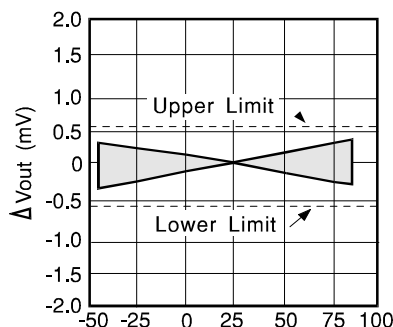
**Temperature °C
VRE304-6C**

V_{OUT} vs. TEMPERATURE



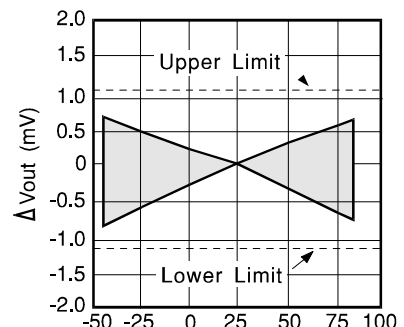
**Temperature °C
VRE304-6J**

V_{OUT} vs. TEMPERATURE



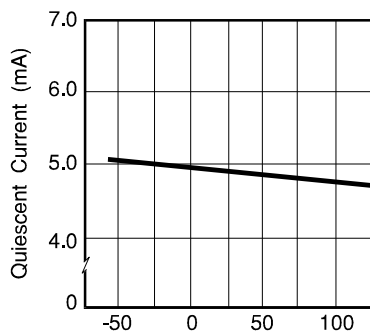
**Temperature °C
VRE304-6K**

V_{OUT} vs. TEMPERATURE



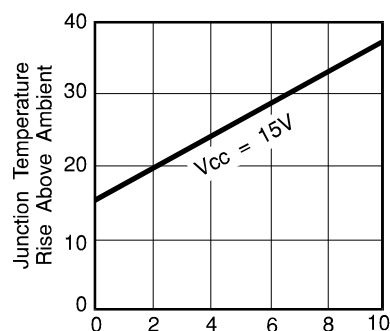
**Temperature °C
VRE304-6L**

QUIESCENT CURRENT vs. TEMP



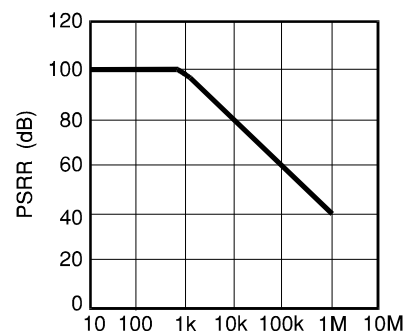
Temperature °C

JUNCTION TEMP. RISE vs. OUTPUT CURRENT



Output Current (mA)

PSRR vs. FREQUENCY



Frequency (Hz)

DISCUSSION OF PERFORMANCE

THEORY OF OPERATION

The following discussion refers to the schematic in figure 2 below. A FET current source is used to bias a 6.3V zener diode. The zener voltage is divided by the resistor network R1 and R2. This voltage is then applied to the noninverting input of the operational amplifier which amplifies the voltage to produce a 4.096V output. The gain is determined by the resistor networks R3 and R4: $G=1 + R4/R3$. The 6.3V zener diode is used because it is the most stable diode over time and temperature.

The current source provides a closely regulated zener current, which determines the slope of the references' voltage vs. temperature function. By trimming the zener current a lower drift over temperature can be achieved. But since the voltage vs. temperature function is nonlinear this compensation technique is not well suited for wide temperature ranges.

Thaler Corporation has developed a nonlinear compensation network of thermistors and resistors that is used in the VRE series voltage references. This proprietary network eliminates most of the nonlinearity in the voltage vs. temperature function. By adjusting the slope, Thaler Corporation produces a very stable voltage over wide temperature ranges.

This network is less than 2% of the overall network resistance so it has a negligible effect on long term stability.

Figure 3 shows the proper connection of the VRE304-6 series voltage references with the optional trim resistor for initial error and the optional capacitor for noise reduction. The VRE304-6 reference has the ground terminal brought out on two pins (pin 4 and pin 7) which are connected together internally. This allows the user to achieve greater accuracy when using a socket. Voltage references have a voltage drop across their power supply ground pin due to quiescent current flowing through the contact resistance. If the contact resistance was constant with time and temperature, this voltage drop could be trimmed out. When the reference is plugged into a socket, this source of error can be as high as 20ppm. By connecting pin 4 to the power supply ground and pin 7 to a high impedance ground point in the measurement circuit, the error due to the contact resistance can be eliminated. If the unit is soldered into place, the contact resistance is sufficiently small that it does not effect performance. Pay careful attention to the circuit layout to avoid noise pickup and voltage drops in the lines.

VRE304-6

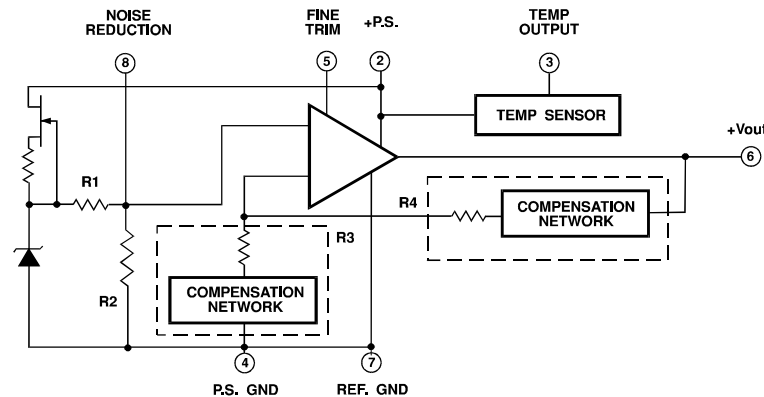


FIGURE 2

EXTERNAL CONNECTIONS

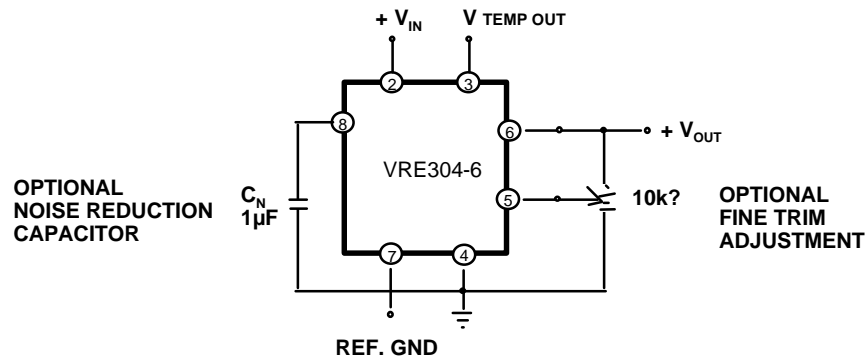
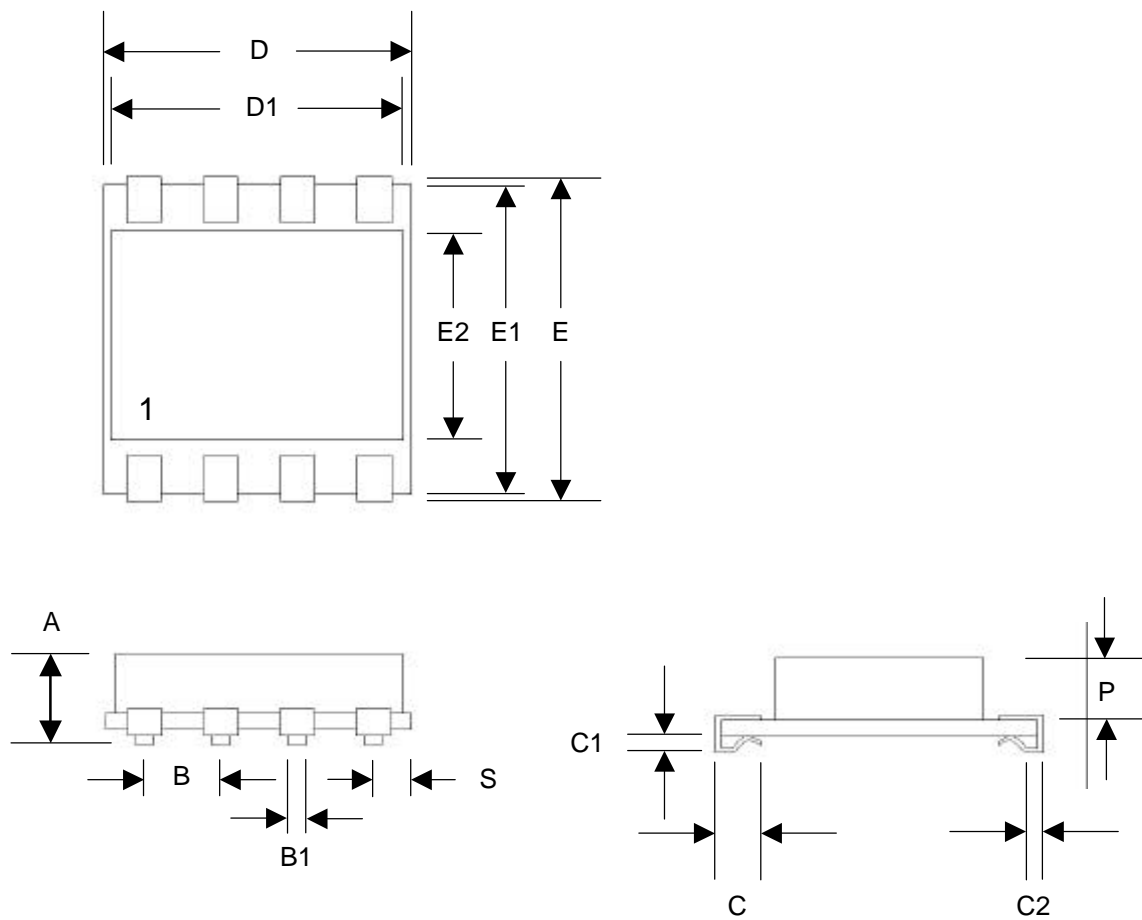


FIGURE 3

MECHANICAL SPECIFICATIONS

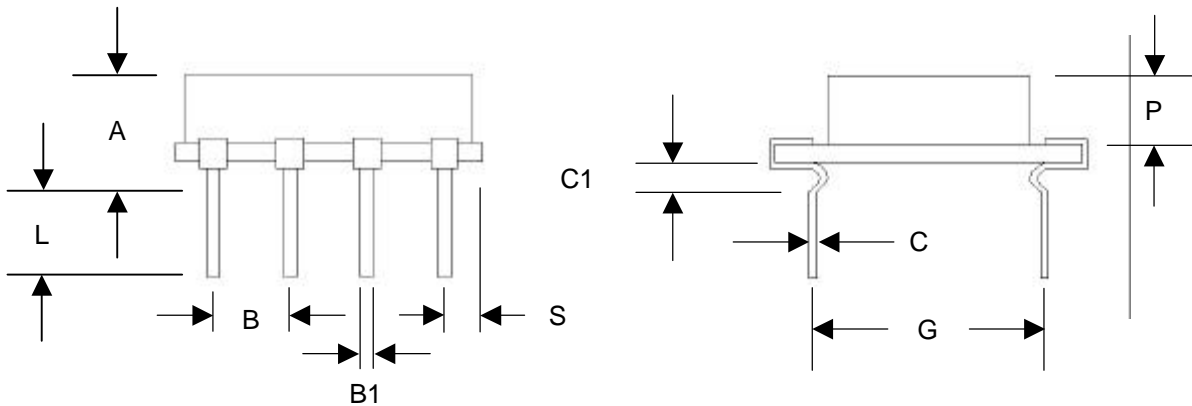
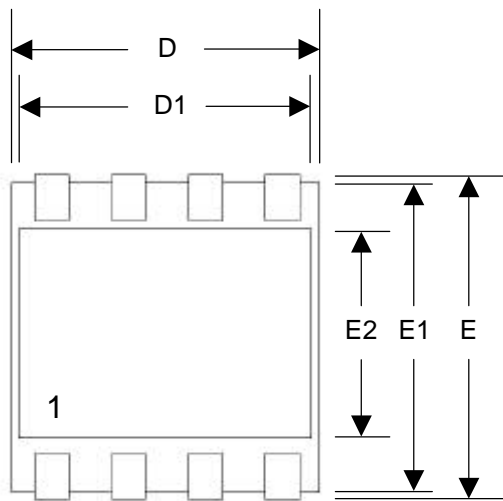
FIGURE 3

| DIM | INCHES | | MILLIMETER | | DIM | INCHES | | MILLIMETER | |
|-----|--------|------|------------|-------|-----|--------|------|------------|-------|
| | MIN | MAX | MIN | MAX | | MIN | MAX | MIN | MAX |
| A | .110 | .120 | 2.794 | 3.048 | D1 | .372 | .380 | 9.45 | 9.65 |
| B | .095 | .105 | 2.413 | 2.667 | E | .425 | .435 | 10.80 | 11.05 |
| B1 | .021 | .027 | 0.533 | 0.686 | E1 | .397 | .403 | 10.08 | 10.24 |
| C | .055 | .065 | 1.397 | 1.651 | E2 | .264 | .270 | 6.71 | 6.86 |
| C1 | .012 | .020 | 0.305 | 0.508 | P | .085 | .095 | 2.16 | 2.41 |
| C2 | .020 | .040 | 0.508 | 1.016 | S | .045 | .055 | 1.14 | 1.40 |
| D | .395 | .405 | 10.03 | 10.29 | | | | | |



MECHANICAL SPECIFICATIONS

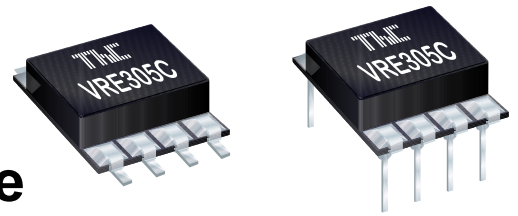
| DIM | INCHES | | MILLIMETER | | DIM | INCHES | | MILLIMETER | |
|-----|--------|------|------------|-------|-----|--------|------|------------|-------|
| | MIN | MAX | MIN | MAX | | MIN | MAX | MIN | MAX |
| A | .170 | .180 | 4.318 | 4.572 | E | .425 | .435 | 10.80 | 11.05 |
| B | .095 | .105 | 2.413 | 2.667 | E1 | .397 | .403 | 10.08 | 10.24 |
| B1 | .016 | .020 | 0.406 | 0.508 | E2 | .264 | .270 | 6.71 | 6.86 |
| C | .008 | .011 | 0.203 | 0.279 | G | .290 | .310 | 7.36 | 7.87 |
| C1 | .055 | .065 | 1.397 | 1.651 | L | .175 | .225 | 4.46 | 5.72 |
| D | .395 | .405 | 10.03 | 10.29 | P | .085 | .095 | 2.16 | 2.41 |
| D1 | .372 | .380 | 9.45 | 9.65 | S | .045 | .055 | 1.14 | 1.40 |





VRE305

Low Cost Precision Reference



THALER CORPORATION • 2015 N. FORBES BOULEVARD • TUCSON, AZ. 85745 • (520) 882-4000

FEATURES

- 5.000 V OUTPUT \pm 0.500 mV (.01%)
- TEMPERATURE DRIFT: 0.6 ppm/ $^{\circ}$ C
- LOW NOISE: 3 μ V_{p-p} (0.1-10Hz)
- INDUSTRY STD PINOUT- 8 PIN DIP OR SURFACE MOUNT PACKAGE
- EXCELLENT LINE REGULATION: 6ppm/V Typ.
- OUTPUT TRIM CAPABILITY

PIN CONFIGURATION

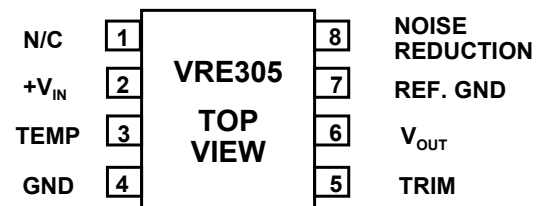


FIGURE 1

DESCRIPTION

The VRE305 is a low cost, high precision 5.0V reference. Packaged in the industry standard 8 pin DIP, the device is ideal for upgrading systems that use lower performance references.

The device provides ultrastable +5.000V output with \pm 0.5000 mV (.01%) initial accuracy and a temperature coefficient of 0.6 ppm/ $^{\circ}$ C. This improvement in accuracy is made possible by a unique, patented multipoint laser compensation technique developed by Thaler Corporation. Significant improvements have been made in other performance parameters as well, including initial accuracy, warm-up drift, line regulation, and long-term stability, making the VRE305 series the most accurate reference available in the standard 8 pin DIP package.

For enhanced performance, the VRE305 has an external trim option for users who want less than 0.01% initial error. For ultra low noise applications, an external capacitor can be attached between the noise reduction pin and the ground pin. A reference ground pin is provided to eliminate socket contact resistance errors.

The VRE305 is recommended for use as a reference for 14, 16, or 18 bit D/A converters which require an external precision reference. The device is also ideal for calibrating scale factor on high resolution A/D converters. The VRE305 offers superior performance over monolithic references.

SELECTION GUIDE

| Model | Initial Error mV | Temp. Coeff. ppm/ $^{\circ}$ C | Temp. Range $^{\circ}$ C |
|---------|------------------|--------------------------------|--------------------------------------|
| VRE305A | 0.5 | 0.6 | 0 $^{\circ}$ C to +70 $^{\circ}$ C |
| VRE305B | 0.8 | 1.0 | 0 $^{\circ}$ C to +70 $^{\circ}$ C |
| VRE305C | 1.0 | 2.0 | 0 $^{\circ}$ C to +70 $^{\circ}$ C |
| VRE305J | 0.5 | 0.6 | -40 $^{\circ}$ C to +85 $^{\circ}$ C |
| VRE305K | 0.8 | 1.0 | -40 $^{\circ}$ C to +85 $^{\circ}$ C |
| VRE305L | 1.0 | 2.0 | -40 $^{\circ}$ C to +85 $^{\circ}$ C |

For package option add D for DIP or S for Surface Mount to end of model number.

ELECTRICAL SPECIFICATIONS

VRE305

V_{ps} = +15V, T = 25°C, R_L = 10kΩ unless otherwise noted.

| MODEL | A/J | | | B/K | | | C/L | | | |
|--|------------|-------|------|-----|-----|------|-----|-----|------|-------------|
| PARAMETER | MIN | TYP | MAX | MIN | TYP | MAX | MIN | TYP | MAX | UNITS |
| ABSOLUTE RATINGS | | | | | | | | | | |
| Power Supply | +13.5 | +15 | +22 | * | * | * | * | * | * | V |
| Operating Temp. (A,B,C) | 0 | | +70 | * | | * | * | | * | °C |
| Operating Temp. (J,K,L) | -40 | | +85 | * | | * | * | | * | °C |
| Storage Temperature | -65 | | +150 | * | | * | * | | * | °C |
| Short Circuit Protection | Continuous | | | | * | | | * | | |
| OUTPUT VOLTAGE | | | | | | | | | | |
| VRE305 | | 5.000 | | | * | | | * | | V |
| Temp. Sensor Voltage ⁽¹⁾ | | 630 | | | * | | | * | | mV |
| OUTPUT VOLTAGE ERRORS | | | | | | | | | | |
| Initial Error ⁽²⁾ | | | 0.50 | | | 0.80 | | | 1.00 | mV |
| Warmup Drift | | 1 | | | 2 | | | 3 | | ppm |
| T _{min} - T _{max} ⁽³⁾ | | | 0.6 | | | 1.0 | | | 2.0 | ppm/°C |
| Long-Term Stability | | 6 | | | * | | | * | | ppm/1000hrs |
| Noise (.1-10Hz) ⁽⁴⁾ | | 3 | | | * | | | * | | μVpp |
| OUTPUT CURRENT | | | | | | | | | | |
| Range | ±10 | | | * | | | * | | | mA |
| REGULATION | | | | | | | | | | |
| Line | | 6 | 10 | | * | * | | * | * | ppm/V |
| Load | | 3 | | | * | | | * | | ppm/mA |
| OUTPUT ADJUSTMENT | | | | | | | | | | |
| Range | | 10 | | | * | | | * | | mV |
| POWER SUPPLY CURRENTS ⁽⁵⁾ | | | | | | | | | | |
| VRE305 +PS | | 5 | 7 | | * | * | | * | * | mA |

NOTES: *Same as A/J Models.

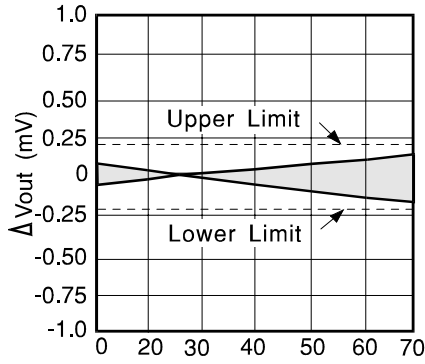
- The temp. reference TC is 2.1mV/°C
- The specified values are without external trim.
- The temperature coefficient is determined by the box method using the following formula:

$$\text{T.C.} = \frac{V_{\max} - V_{\min}}{V_{\text{nominal}} \times (T_{\max} - T_{\min})} \times 10^6$$

- The specified values are without the external noise reduction capacitor.
- The specified values are unloaded.

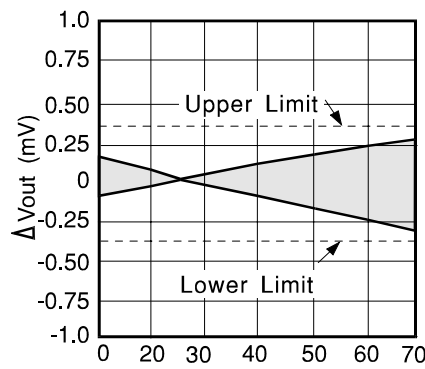
TYPICAL PERFORMANCE CURVES

V_{OUT} vs. TEMPERATURE



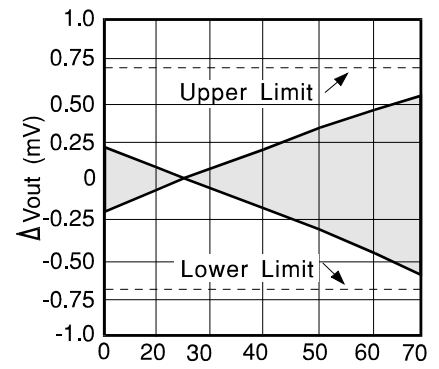
**Temperature °C
VRE305A**

V_{OUT} vs. TEMPERATURE



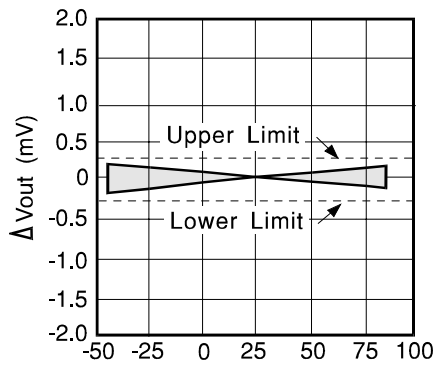
**Temperature °C
VRE305B**

V_{OUT} vs. TEMPERATURE



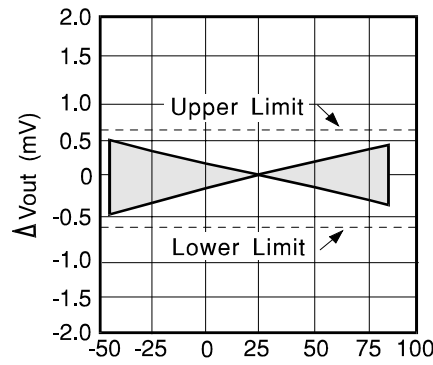
**Temperature °C
VRE305C**

V_{OUT} vs. TEMPERATURE



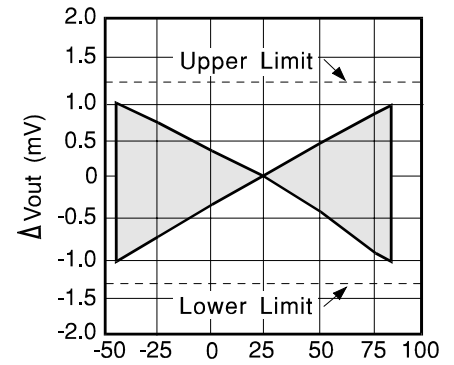
**Temperature °C
VRE305J**

V_{OUT} vs. TEMPERATURE



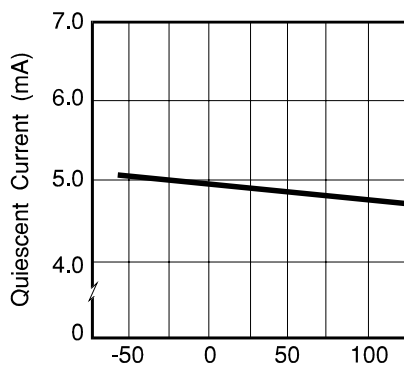
**Temperature °C
VRE305K**

V_{OUT} vs. TEMPERATURE



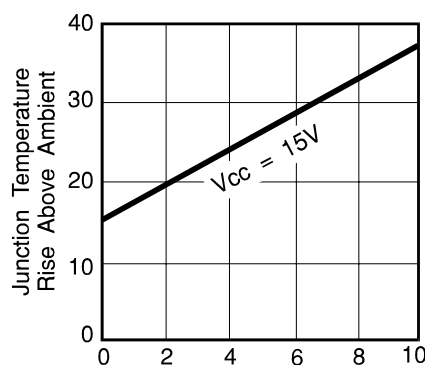
**Temperature °C
VRE305L**

QUIESCENT CURRENT vs. TEMP



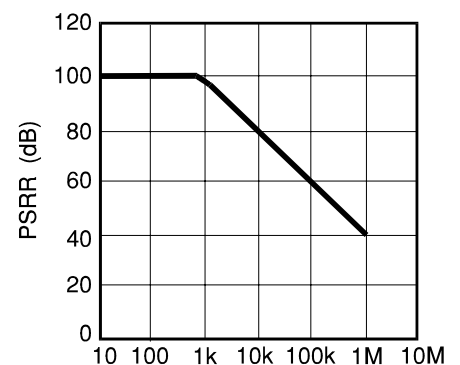
Temperature °C

JUNCTION TEMP. RISE vs. OUTPUT CURRENT



Output Current (mA)

PSRR vs. FREQUENCY



Frequency (Hz)

DISCUSSION OF PERFORMANCE

THEORY OF OPERATION

The following discussion refers to the schematic in figure 2 below. A FET current source is used to bias a 6.3V zener diode. The zener voltage is divided by the resistor network R1 and R2. This voltage is then applied to the noninverting input of the operational amplifier which amplifies the voltage to produce a 5.000V output. The gain is determined by the resistor networks R3 and R4: $G=1 + R4/R3$. The 6.3V zener diode is used because it is the most stable diode over time and temperature.

The current source provides a closely regulated zener current, which determines the slope of the references' voltage vs. temperature function. By trimming the zener current a lower drift over temperature can be achieved. But since the voltage vs. temperature function is nonlinear this compensation technique is not well suited for wide temperature ranges.

Thaler Corporation has developed a nonlinear compensation network of thermistors and resistors that is used in the VRE series voltage references. This proprietary network eliminates most of the nonlinearity in the voltage vs. temperature function. By adjusting the slope, Thaler Corporation produces a very stable voltage over wide temperature ranges.

This network is less than 2% of the overall network resistance so it has a negligible effect on long term stability.

Figure 3 shows the proper connection of the VRE305 series voltage references with the optional trim resistor for initial error and the optional capacitor for noise reduction. The VRE305 reference has the ground terminal brought out on two pins (pin 4 and pin 7) which are connected together internally. This allows the user to achieve greater accuracy when using a socket. Voltage references have a voltage drop across their power supply ground pin due to quiescent current flowing through the contact resistance. If the contact resistance was constant with time and temperature, this voltage drop could be trimmed out. When the reference is plugged into a socket, this source of error can be as high as 20ppm. By connecting pin 4 to the power supply ground and pin 7 to a high impedance ground point in the measurement circuit, the error due to the contact resistance can be eliminated. If the unit is soldered into place, the contact resistance is sufficiently small that it does not effect performance. Pay careful attention to the circuit layout to avoid noise pickup and voltage drops in the lines.

VRE305

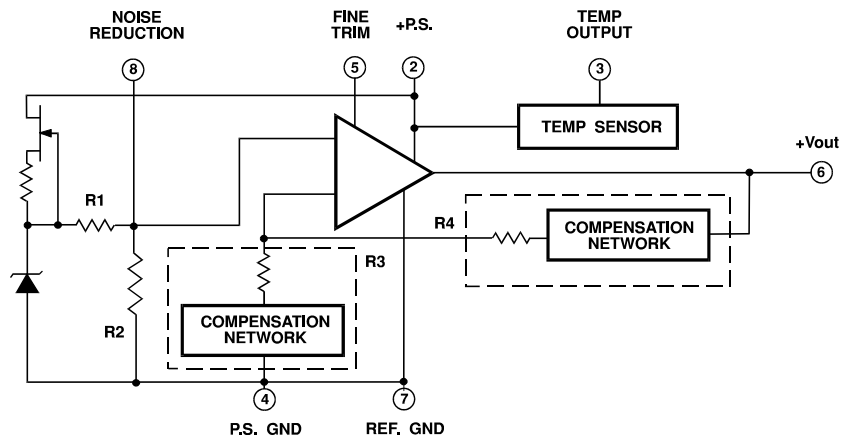


FIGURE 2

EXTERNAL CONNECTIONS

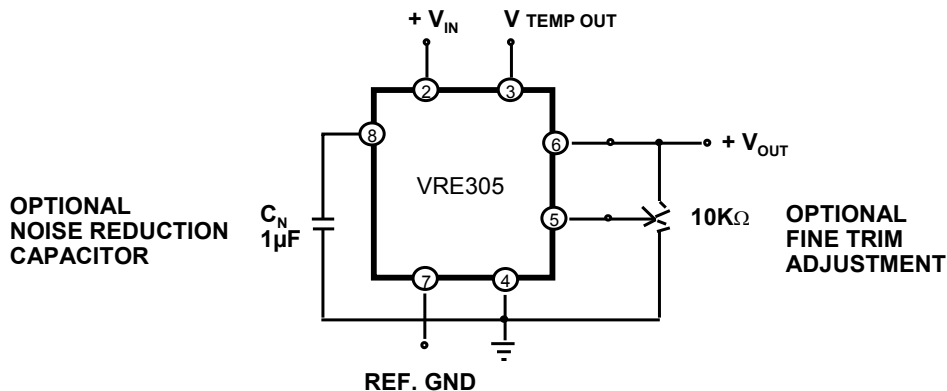
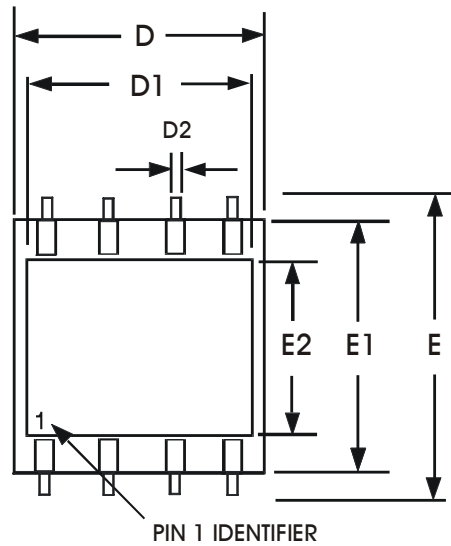


FIGURE 3

MECHANICAL

FIGURE 3



| DIM | INCHES | | MILLIMETER | | DIM | INCHES | | MILLIMETER | |
|-----|--------|------|------------|------|-----|--------|------|------------|------|
| | MIN | MAX | MIN | MAX | | MIN | MAX | MIN | MAX |
| A | .115 | .125 | 2.92 | 3.17 | D2 | .018 | .023 | 0.46 | 0.58 |
| B | .098 | .102 | 2.48 | 2.59 | E | .507 | .513 | 12.8 | 13.0 |
| B1 | .046 | .051 | 1.14 | 1.29 | E1 | .397 | .403 | 10.0 | 10.2 |
| C | .107 | .113 | 2.71 | 2.89 | E2 | .264 | .270 | 6.70 | 6.85 |
| C1 | .009 | .012 | 0.22 | 0.30 | P | .085 | .095 | 2.15 | 2.41 |
| C2 | .052 | .058 | 1.32 | 1.47 | Q | .020 | .030 | .508 | .762 |
| D | .397 | .403 | 10.0 | 10.2 | S | .045 | .055 | 1.14 | 1.39 |
| D1 | .372 | .380 | 9.44 | 9.65 | | | | | |

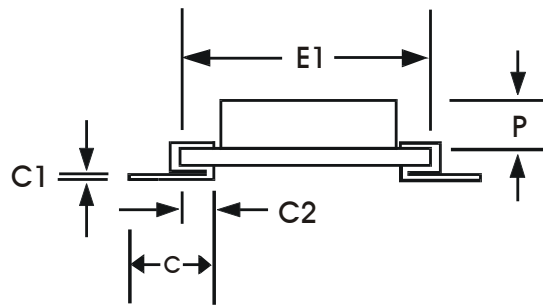
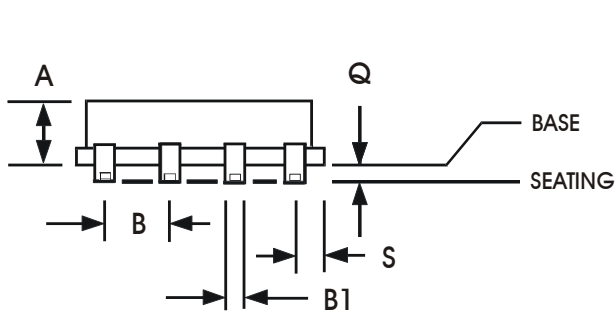
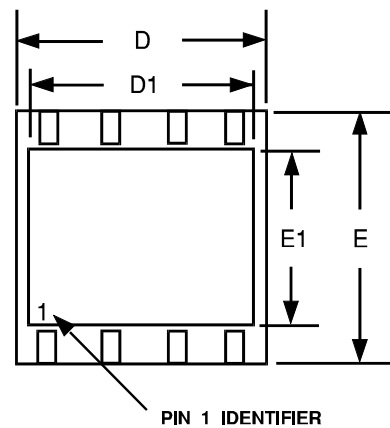
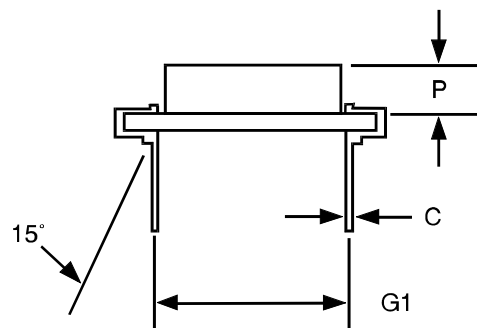
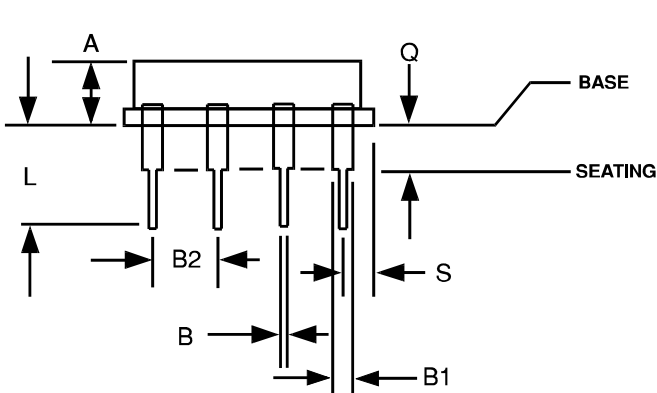


FIGURE 4



| DIM | INCHES | | MILLIMETER | | DIM | INCHES | | MILLIMETER | |
|-----|--------|------|------------|------|-----|--------|------|------------|------|
| | MIN | MAX | MIN | MAX | | MIN | MAX | MIN | MAX |
| A | .115 | .125 | 2.92 | 3.17 | E | .397 | .403 | 10.0 | 10.2 |
| B | .018 | .022 | .457 | .558 | E1 | .264 | .270 | 6.70 | 6.85 |
| B1 | .046 | .051 | 1.14 | 1.29 | G1 | .290 | .310 | 7.36 | 7.87 |
| B2 | .098 | .102 | 2.48 | 2.59 | L | .195 | .215 | 4.95 | 5.46 |
| C | .009 | .012 | 0.22 | 0.30 | P | .085 | .095 | 2.15 | 2.41 |
| D | .397 | .403 | 10.0 | 10.2 | Q | .055 | .065 | 1.39 | 1.65 |
| D1 | .372 | .380 | 9.44 | 9.65 | S | .045 | .055 | 1.14 | 1.39 |





VRE306

Low Cost Precision Reference

THALER CORPORATION • 2015 N. FORBES BOULEVARD • TUCSON, AZ. 85745 • (520) 882-4000

FEATURES

- 6.000 V OUTPUT \pm 0.600 mV (.01%)
- TEMPERATURE DRIFT: 0.6 ppm/°C
- LOW NOISE: 4 μ V_{p-p} (0.1-10Hz)
- INDUSTRY STD PINOUT- 8 PIN DIP OR SURFACE MOUNT PACKAGE
- EXCELLENT LINE REGULATION: 6ppm/V Typ.
- OUTPUT TRIM CAPABILITY

DESCRIPTION

The VRE306 is a low cost, high precision 6.0V reference. Packaged in the industry standard 8 pin DIP, the device is ideal for upgrading systems that use lower performance references.

The device provides ultrastable +6.000V output with \pm 0.6000 mV (.01%) initial accuracy and a temperature coefficient of 0.6 ppm/°C. This improvement in accuracy is made possible by a unique, patented multipoint laser compensation technique developed by Thaler Corporation. Significant improvements have been made in other performance parameters as well, including initial accuracy, warm-up drift, line regulation, and long-term stability, making the VRE306 series the most accurate reference available in the standard 8 pin DIP package.

For enhanced performance, the VRE306 has an external trim option for users who want less than 0.01% initial error. For ultra low noise applications, an external capacitor can be attached between the noise reduction pin and the ground pin. A reference ground pin is provided to eliminate socket contact resistance errors.

PIN CONFIGURATION

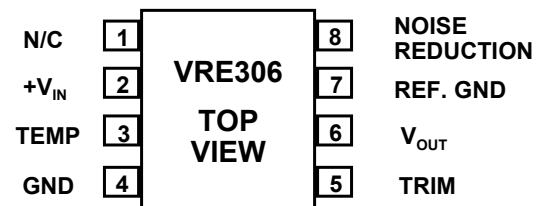


FIGURE 1

The VRE306 is recommended for use as a reference for 14, 16, or 18 bit D/A converters which require an external precision reference. The device is also ideal for calibrating scale factor on high resolution A/D converters. The VRE306 offers superior performance over monolithic references.

SELECTION GUIDE

| Model | Initial Error mV | Temp. Coeff. ppm/°C | Temp. Range °C |
|---------|------------------|---------------------|----------------|
| VRE306A | 0.6 | 0.6 | 0°C to +70°C |
| VRE306C | 1.2 | 2.0 | 0°C to +70°C |
| VRE306J | 0.6 | 0.6 | -40°C to +85°C |
| VRE306K | 1.0 | 1.0 | -40°C to +85°C |
| VRE306L | 1.2 | 2.0 | -40°C to +85°C |

For package option add D for DIP or S for Surface Mount to end of model number.

ELECTRICAL SPECIFICATIONS

VRE306

Vps =+15V, T = 25°C, RL = 10KΩ unless otherwise noted.

| MODEL | A/J | | | B/K | | | C/L | | | |
|--|------------|--------------|------|-----|-----|------|-----|-----|------|-------------|
| PARAMETER | MIN | TYP | MAX | MIN | TYP | MAX | MIN | TYP | MAX | UNITS |
| ABSOLUTE RATINGS | | | | | | | | | | |
| Power Supply | +14 | +15 | +16 | * | * | * | * | * | * | V |
| Operating Temp. (A,B,C) | 0 | | +70 | * | | * | * | | * | °C |
| Operating Temp. (J,K,L) | -40 | | +85 | * | | * | * | | * | °C |
| Storage Temperature | -65 | | +150 | * | | * | * | | * | °C |
| Short Circuit Protection | Continuous | | | | * | | | * | | |
| OUTPUT VOLTAGE | | | | | | | | | | |
| VRE306 Temp. Sensor Voltage ⁽¹⁾ | | 6.000 630 | | | * | | | * | | V mV |
| OUTPUT VOLTAGE ERRORS | | | | | | | | | | |
| Initial Error ⁽²⁾ | | | 0.60 | | | 1.00 | | | 1.20 | mV |
| Warmup Drift | | 1 | | | 2 | | | 3 | | ppm |
| T _{min} - T _{max} ⁽³⁾ | | | 0.6 | | | 1.0 | | | 2.0 | ppm/°C |
| Long-Term Stability | | 6 | | | * | | | * | | ppm/1000hrs |
| Noise (.1-10Hz) ⁽⁴⁾ | | 4 | | | * | | | * | | μVpp |
| OUTPUT CURRENT | | | | | | | | | | |
| Range | ±10 | | | * | | | * | | | mA |
| REGULATION | | | | | | | | | | |
| Line | | 6 | 10 | | * | * | | * | * | ppm/V |
| Load | | 3 | | | * | | | * | | ppm/mA |
| OUTPUT ADJUSTMENT | | | | | | | | | | |
| Range | | 10 | | | * | | | * | | mV |
| POWER SUPPLY CURRENTS ⁽⁵⁾ | | | | | | | | | | |
| VRE306 +PS | | 5 | 7 | | * | * | | * | * | mA |

NOTES: *Same as A/J Models.

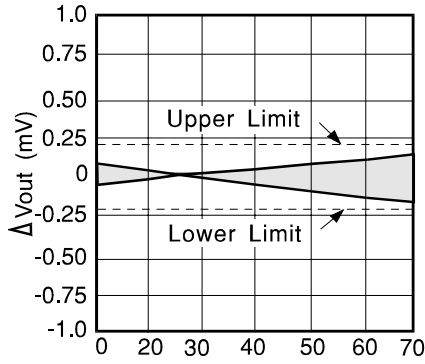
- The temp. reference TC is 2.1mV/°C
- The specified values are without external trim.
- The temperature coefficient is determined by the box method using the following formula:

$$T.C. = \frac{V_{max} - V_{min}}{V_{nominal} \times (T_{max} - T_{min})} \times 10^6$$

- The specified values are without the external noise reduction capacitor.
- The specified values are unloaded.

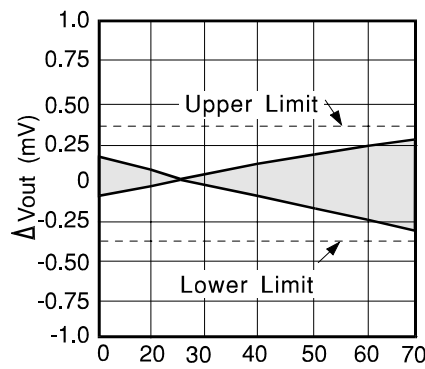
TYPICAL PERFORMANCE CURVES

V_{OUT} vs. TEMPERATURE



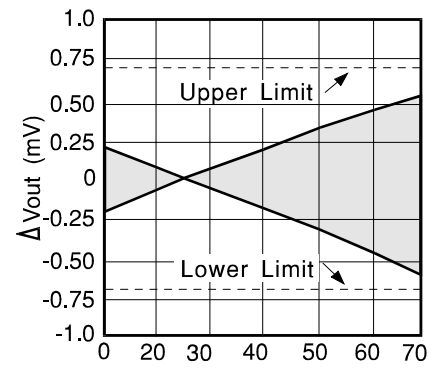
Temperature °C
VRE306A

V_{OUT} vs. TEMPERATURE



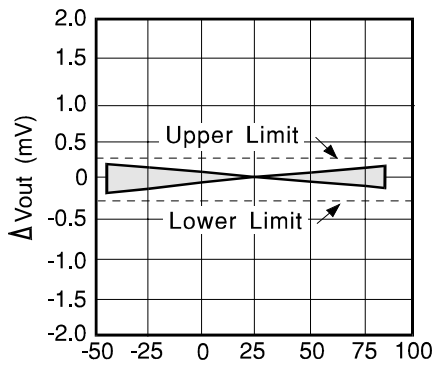
Temperature °C
VRE306B

V_{OUT} vs. TEMPERATURE



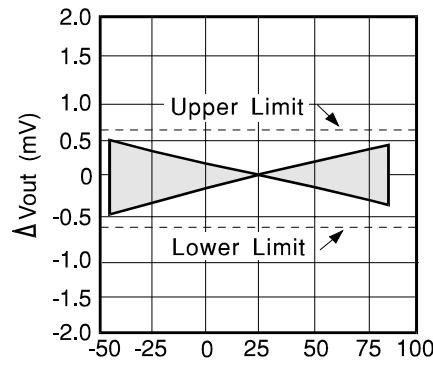
Temperature °C
VRE306C

V_{OUT} vs. TEMPERATURE



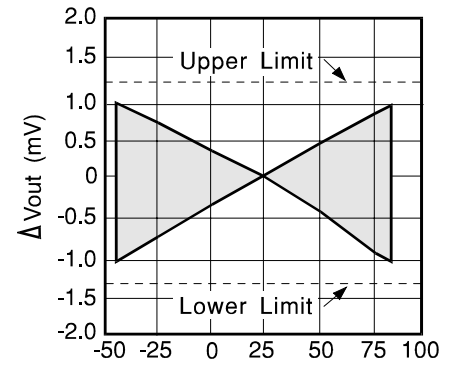
Temperature °C
VRE306J

V_{OUT} vs. TEMPERATURE



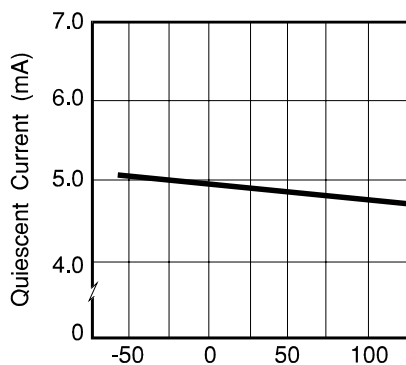
Temperature °C
VRE306K

V_{OUT} vs. TEMPERATURE



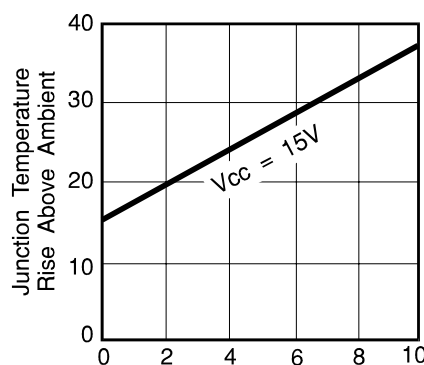
Temperature °C
VRE306L

QUIESCENT CURRENT vs. TEMP



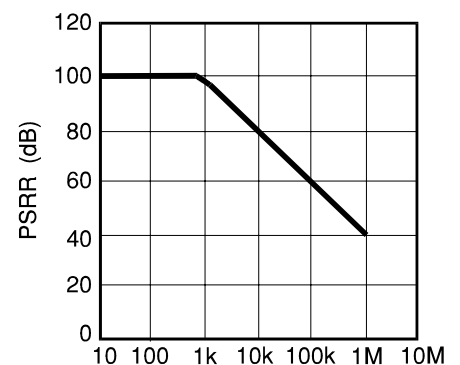
Temperature °C

JUNCTION TEMP. RISE vs. OUTPUT CURRENT



Output Current (mA)

PSRR vs. FREQUENCY



Frequency (Hz)

DISCUSSION OF PERFORMANCE

THEORY OF OPERATION

The following discussion refers to the schematic in figure 2 below. A FET current source is used to bias a 6.3V zener diode. The zener voltage is divided by the resistor network R1 and R2. This voltage is then applied to the noninverting input of the operational amplifier which amplifies the voltage to produce a 6.000V output. The gain is determined by the resistor networks R3 and R4: $G=1 + R4/R3$. The 6.3V zener diode is used because it is the most stable diode over time and temperature.

The current source provides a closely regulated zener current, which determines the slope of the references' voltage vs. temperature function. By trimming the zener current a lower drift over temperature can be achieved. But since the voltage vs. temperature function is nonlinear this compensation technique is not well suited for wide temperature ranges.

Thaler Corporation has developed a nonlinear compensation network of thermistors and resistors that is used in the VRE series voltage references. This proprietary network eliminates most of the nonlinearity in the voltage vs. temperature function. By adjusting the slope, Thaler Corporation produces a very stable voltage over wide temperature ranges.

This network is less than 2% of the overall network resistance so it has a negligible effect on long term stability.

Figure 3 shows the proper connection of the VRE306 series voltage references with the optional trim resistor for initial error and the optional capacitor for noise reduction. The VRE306 reference has the ground terminal brought out on two pins (pin 4 and pin 7) which are connected together internally. This allows the user to achieve greater accuracy when using a socket. Voltage references have a voltage drop across their power supply ground pin due to quiescent current flowing through the contact resistance. If the contact resistance was constant with time and temperature, this voltage drop could be trimmed out. When the reference is plugged into a socket, this source of error can be as high as 20ppm. By connecting pin 4 to the power supply ground and pin 7 to a high impedance ground point in the measurement circuit, the error due to the contact resistance can be eliminated. If the unit is soldered into place, the contact resistance is sufficiently small that it does not effect performance. Pay careful attention to the circuit layout to avoid noise pickup and voltage drops in the lines.

VRE306

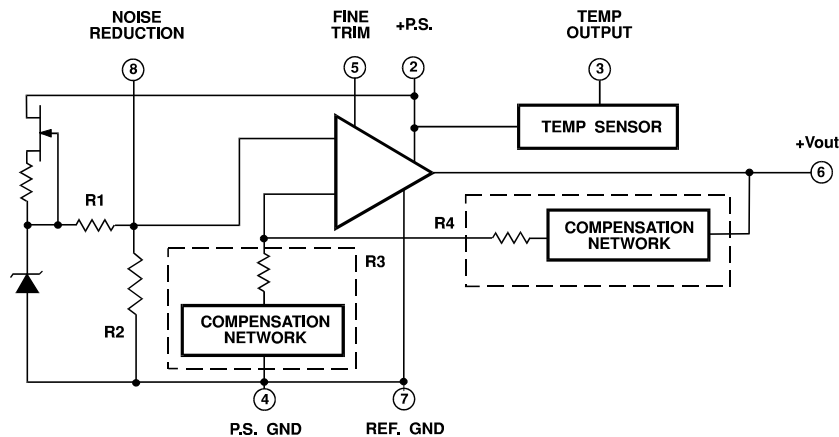


FIGURE 2

EXTERNAL CONNECTIONS

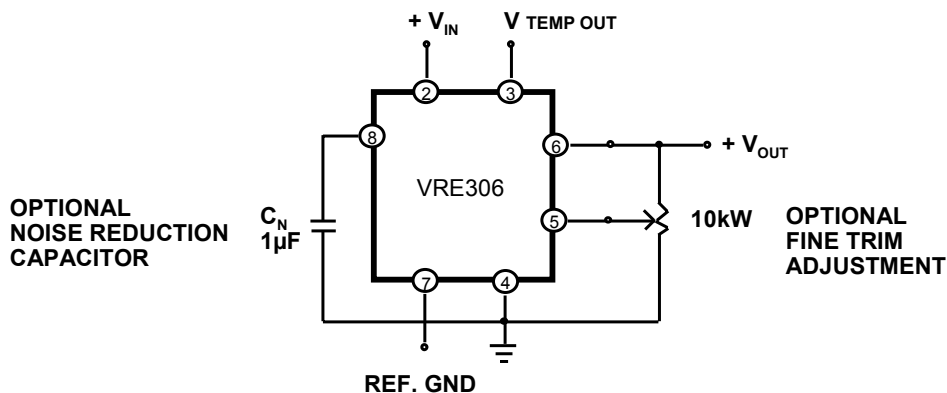
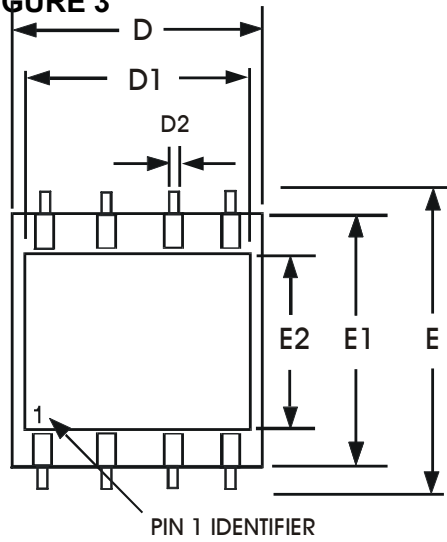


FIGURE 3

MECHANICAL

FIGURE 3



| DIM | INCHES | | MILLIMETER | | DIM | INCHES | | MILLIMETER | |
|-----|--------|------|------------|------|-----|--------|------|------------|------|
| | MIN | MAX | MIN | MAX | | MIN | MAX | MIN | MAX |
| A | .115 | .125 | 2.92 | 3.17 | D2 | .018 | .023 | 0.46 | 0.58 |
| B | .098 | .102 | 2.48 | 2.59 | E | .507 | .513 | 12.8 | 13.0 |
| B1 | .046 | .051 | 1.14 | 1.29 | E1 | .397 | .403 | 10.0 | 10.2 |
| C | .107 | .113 | 2.71 | 2.89 | E2 | .264 | .270 | 6.70 | 6.85 |
| C1 | .009 | .012 | 0.22 | 0.30 | P | .085 | .095 | 2.15 | 2.41 |
| C2 | .052 | .058 | 1.32 | 1.47 | Q | .020 | .030 | .508 | .762 |
| D | .397 | .403 | 10.0 | 10.2 | S | .045 | .055 | 1.14 | 1.39 |
| D1 | .372 | .380 | 9.44 | 9.65 | | | | | |

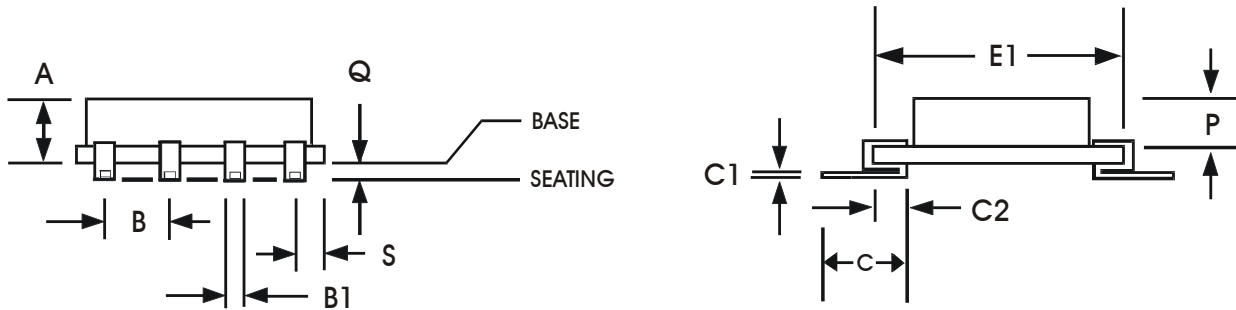
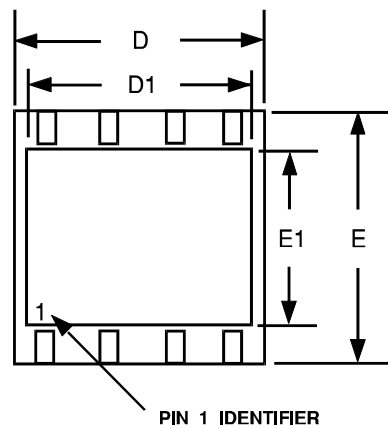
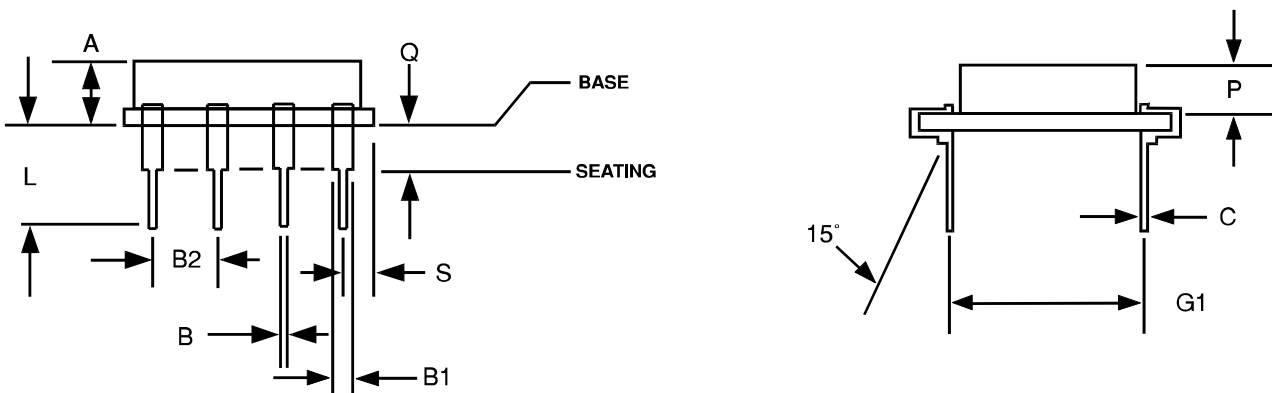


FIGURE 4



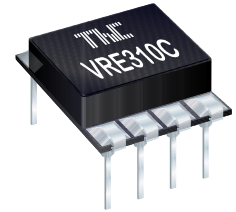
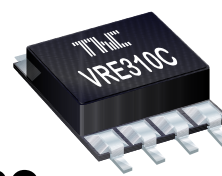
| DIM | INCHES | | MILLIMETER | | DIM | INCHES | | MILLIMETER | |
|-----|--------|------|------------|------|-----|--------|------|------------|------|
| | MIN | MAX | MIN | MAX | | MIN | MAX | MIN | MAX |
| A | .115 | .125 | 2.92 | 3.17 | E | .397 | .403 | 10.0 | 10.2 |
| B | .018 | .022 | .457 | .558 | E1 | .264 | .270 | 6.70 | 6.85 |
| B1 | .046 | .051 | 1.14 | 1.29 | G1 | .290 | .310 | 7.36 | 7.87 |
| B2 | .098 | .102 | 2.48 | 2.59 | L | .195 | .215 | 4.95 | 5.46 |
| C | .009 | .012 | 0.22 | 0.30 | P | .085 | .095 | 2.15 | 2.41 |
| D | .397 | .403 | 10.0 | 10.2 | Q | .055 | .065 | 1.39 | 1.65 |
| D1 | .372 | .380 | 9.44 | 9.65 | S | .045 | .055 | 1.14 | 1.39 |





VRE310

Low Cost Precision Reference



THALER CORPORATION • 2015 N. FORBES BOULEVARD • TUCSON, AZ. 85745 • (520) 882-4000

FEATURES

- 10.000 V OUTPUT \pm 1.000 mV (.01%)
- TEMPERATURE DRIFT: 0.6 ppm/ $^{\circ}$ C
- LOW NOISE: 6 μ V_{p-p} (0.1-10Hz)
- INDUSTRY STD PINOUT- 8 PIN DIP OR SURFACE MOUNT PACKAGE
- EXCELLENT LINE REGULATION: 6ppm/V Typ.
- OUTPUT TRIM CAPABILITY

PIN CONFIGURATION

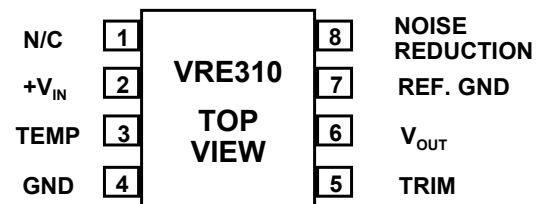


FIGURE 1

DESCRIPTION

The VRE310 is a low cost, high precision 10.0V reference. Packaged in the industry standard 8 pin DIP, the device is ideal for upgrading systems that use lower performance references.

The device provides ultrastable +10.000V output with \pm 1.000 mV (.01%) initial accuracy and a temperature coefficient of 0.6 ppm/ $^{\circ}$ C. This improvement in accuracy is made possible by a unique, patented multipoint laser compensation technique developed by Thaler Corporation. Significant improvements have been made in other performance parameters as well, including initial accuracy, warm-up drift, line regulation, and long-term stability, making the VRE310 series the most accurate reference available in the standard 8 pin DIP package.

For enhanced performance, the VRE310 has an external trim option for users who want less than 0.01% initial error. For ultra low noise applications, an external capacitor can be attached between the noise reduction pin and the ground pin. A reference ground pin is provided to eliminate socket contact resistance errors.

The VRE310 is recommended for use as a reference for 14-, 16-, or 18-bit D/A converters which require an external precision reference. The device is also ideal for calibrating scale factor on high resolution A/D converters. The VRE310 offers superior performance over monolithic references.

SELECTION GUIDE

| Model | Initial Error mV | Temp. Coeff. ppm/ $^{\circ}$ C | Temp. Range $^{\circ}$ C |
|---------|------------------|--------------------------------|--------------------------------------|
| VRE310A | 1.0 | 0.6 | 0 $^{\circ}$ C to +70 $^{\circ}$ C |
| VRE310B | 1.6 | 1.0 | 0 $^{\circ}$ C to +70 $^{\circ}$ C |
| VRE310C | 2.0 | 2.0 | 0 $^{\circ}$ C to +70 $^{\circ}$ C |
| VRE310J | 1.0 | 0.6 | -40 $^{\circ}$ C to +85 $^{\circ}$ C |
| VRE310K | 1.6 | 1.0 | -40 $^{\circ}$ C to +85 $^{\circ}$ C |
| VRE310L | 2.0 | 2.0 | -40 $^{\circ}$ C to +85 $^{\circ}$ C |

For package option add D for DIP or S for Surface Mount to end of model number.

ELECTRICAL SPECIFICATIONS

VRE310

V_{ps} = +15V, T = 25°C, R_L = 10KΩ unless otherwise noted.

| MODEL | A/J | | | B/K | | | C/L | | | |
|--|------------|---------------|------|-----|-----|------|-----|-----|------|-------------|
| PARAMETER | MIN | TYP | MAX | MIN | TYP | MAX | MIN | TYP | MAX | UNITS |
| ABSOLUTE RATINGS | | | | | | | | | | |
| Power Supply | +13.5 | +15 | +22 | * | * | * | * | * | * | V |
| Operating Temp. (A,B,C) | 0 | | +70 | * | | * | * | | * | °C |
| Operating Temp. (J,K,L) | -40 | | +85 | * | | * | * | | * | °C |
| Storage Temperature | -65 | | +150 | * | | * | * | | * | °C |
| Short Circuit Protection | Continuous | | | | * | | | * | | |
| OUTPUT VOLTAGE | | | | | | | | | | |
| VRE310 Temp. Sensor Voltage ⁽¹⁾ | | 10.000 630 | | | * | | | * | | V mV |
| OUTPUT VOLTAGE ERRORS | | | | | | | | | | |
| Initial Error ⁽²⁾ | | | 1.00 | | | 1.60 | | | 2.00 | mV |
| Warmup Drift | | 1 | | | 2 | | | 3 | | ppm |
| T _{min} - T _{max} ⁽³⁾ | | | 0.6 | | | 1.0 | | | 2.0 | ppm/°C |
| Long-Term Stability | | 6 | | | * | | | * | | ppm/1000hrs |
| Noise (.1-10Hz) ⁽⁴⁾ | | 6 | | | * | | | * | | μVpp |
| OUTPUT CURRENT | | | | | | | | | | |
| Range | ±10 | | | * | | | * | | | mA |
| REGULATION | | | | | | | | | | |
| Line | | 3 | 10 | | * | * | | * | * | ppm/V |
| Load | | 3 | | | * | | | * | | ppm/mA |
| OUTPUT ADJUSTMENT | | | | | | | | | | |
| Range | | 20 | | | * | | | * | | mV |
| POWER SUPPLY CURRENTS ⁽⁵⁾ | | | | | | | | | | |
| VRE310 +PS | | 5 | 7 | | * | * | | * | * | mA |

NOTES: *Same as A/J Models.

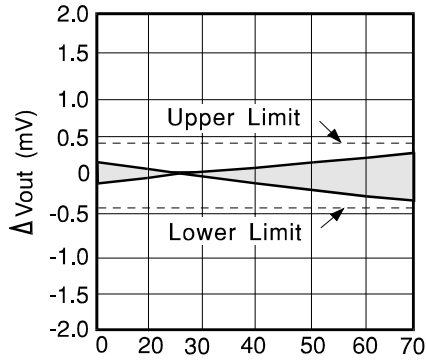
- The temp. reference TC is 2.1mV/°C
- The specified values are without external trim.
- The temperature coefficient is determined by the box method using the following formula:

$$T.C. = \frac{V_{\max} - V_{\min}}{V_{\text{nominal}} \times (T_{\max} - T_{\min})} \times 10^6$$

- The specified values are without the external noise reduction capacitor.
- The specified values are unloaded.

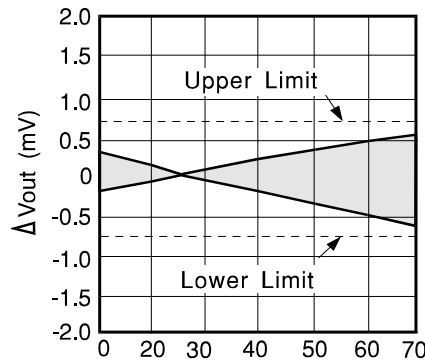
TYPICAL PERFORMANCE CURVES

V_{OUT} vs. TEMPERATURE



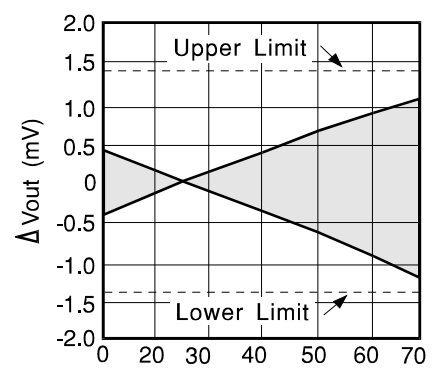
Temperature °C
VRE310A

V_{OUT} vs. TEMPERATURE



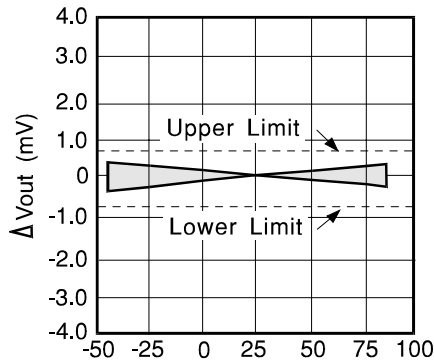
Temperature °C
VRE310B

V_{OUT} vs. TEMPERATURE



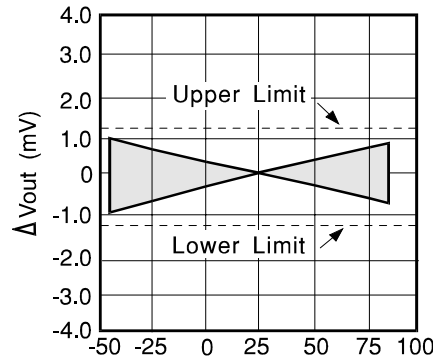
Temperature °C
VRE310C

V_{OUT} vs. TEMPERATURE



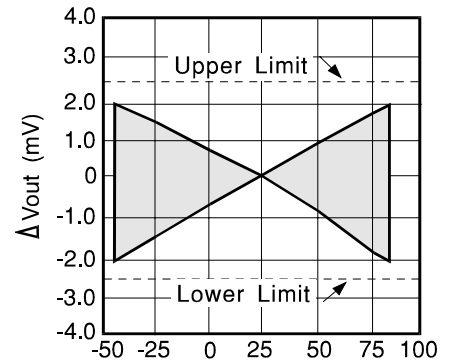
Temperature °C
VRE310J

V_{OUT} vs. TEMPERATURE



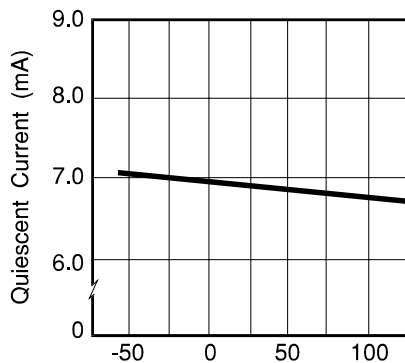
Temperature °C
VRE310K

V_{OUT} vs. TEMPERATURE



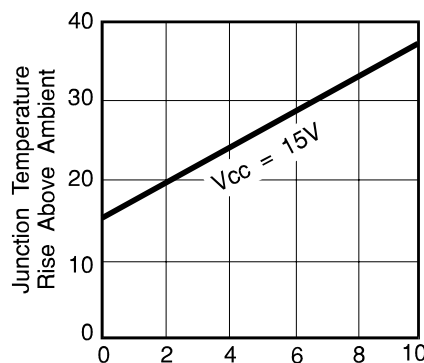
Temperature °C
VRE310L

QUIESCENT CURRENT vs. TEMP



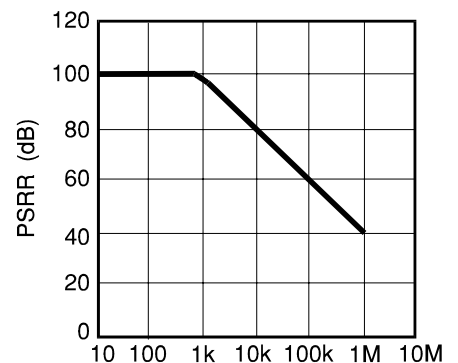
Temperature °C

JUNCTION TEMP. RISE vs. OUTPUT CURRENT



Output Current (mA)

PSRR vs. FREQUENCY



Frequency (Hz)

DISCUSSION OF PERFORMANCE

THEORY OF OPERATION

The following discussion refers to the schematic in figure 2 below. In operation, approximately 6.3 volts is applied to the noninverting input of the op amp. The voltage is amplified by the op amp to produce a 10.000V output. The gain is determined by the networks R1 and R2: $G=1 + R2/R1$. The 6.3V zener diode is used because it is the most stable diode over time and temperature.

The zener operating current is derived from the regulated output voltage through R3. This feedback arrangement provides a closely regulated zener current. This current determines the slope of the references' voltage vs. temperature function. By trimming the zener current a lower drift over temperature can be achieved. But since the voltage vs. temperature function is nonlinear this compensation technique is not well suited for wide temperature ranges.

Thaler Corporation has developed a nonlinear compensation network of thermistors and resistors that is used in the VRE series voltage references. This proprietary network eliminates most of the nonlinearity in the voltage vs. temperature function. By then adjusting the slope, Thaler Corporation produces a very stable voltage over wide temperature ranges.

This network is less than 2% of the overall network resistance so it has a negligible effect on long term stability. By using highly stable resistors in our network, we produce a voltage reference that also has very good long term stability

Figure 3 shows the proper connection of the VRE310 series voltage references with the optional trim resistor. The VRE310 reference has the ground terminal brought out on two pins (pin 4 and pin 7) which are connected together internally. This allows the user to achieve greater accuracy when using a socket. Voltage references have a voltage drop across their power supply ground pin due to quiescent current flowing through the contact resistance. If the contact resistance was constant with time and temperature, this voltage drop could be trimmed out. When the reference is plugged into a socket, this source of error can be as high as 20ppm. By connecting pin 4 to the power supply ground and pin 7 to a high impedance ground point in the measurement circuit, the error due to the contact resistance can be eliminated. If the unit is soldered into place, the contact resistance is sufficiently small that it does not effect performance. Pay careful attention to the circuit layout to avoid noise pickup and voltage drops in the lines.

VRE310

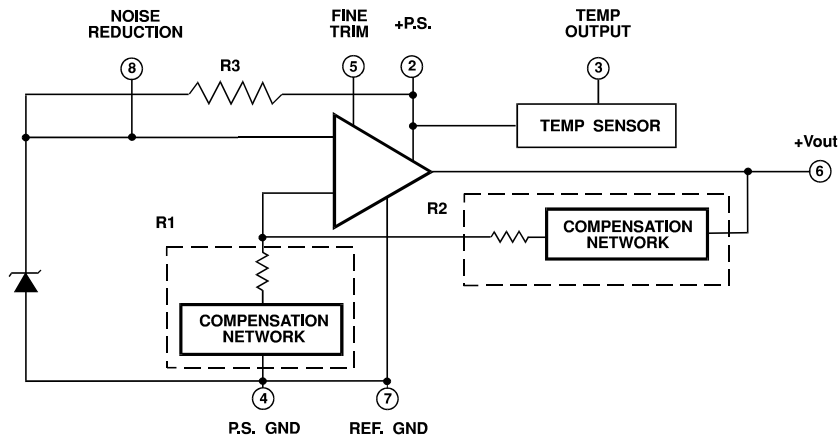


FIGURE 2

EXTERNAL CONNECTIONS

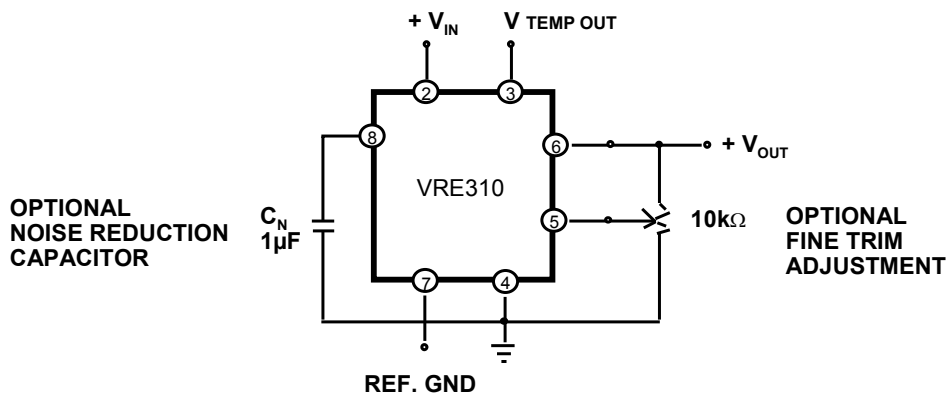
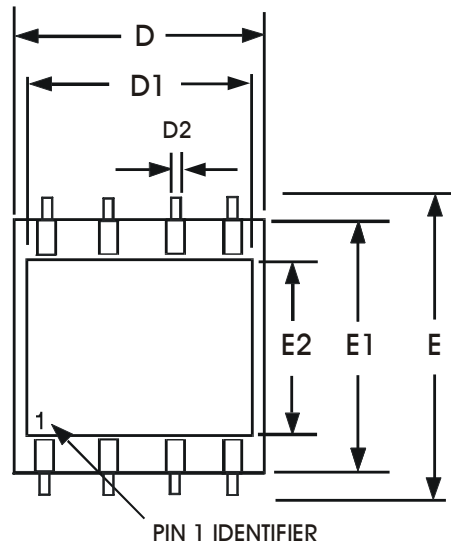


FIGURE 3

MECHANICAL

FIGURE 3



| DIM | INCHES | | MILLIMETER | | DIM | INCHES | | MILLIMETER | |
|-----|--------|------|------------|------|-----|--------|------|------------|------|
| | MIN | MAX | MIN | MAX | | MIN | MAX | MIN | MAX |
| A | .115 | .125 | 2.92 | 3.17 | D2 | .018 | .023 | 0.46 | 0.58 |
| B | .098 | .102 | 2.48 | 2.59 | E | .507 | .513 | 12.8 | 13.0 |
| B1 | .046 | .051 | 1.14 | 1.29 | E1 | .397 | .403 | 10.0 | 10.2 |
| C | .107 | .113 | 2.71 | 2.89 | E2 | .264 | .270 | 6.70 | 6.85 |
| C1 | .009 | .012 | 0.22 | 0.30 | P | .085 | .095 | 2.15 | 2.41 |
| C2 | .052 | .058 | 1.32 | 1.47 | Q | .020 | .030 | .508 | .762 |
| D | .397 | .403 | 10.0 | 10.2 | S | .045 | .055 | 1.14 | 1.39 |
| D1 | .372 | .380 | 9.44 | 9.65 | | | | | |

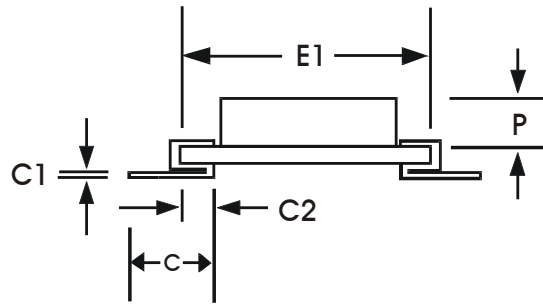
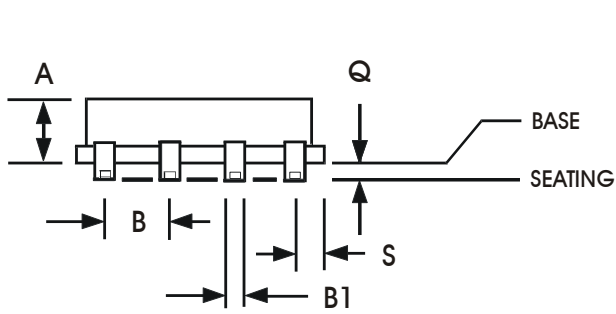
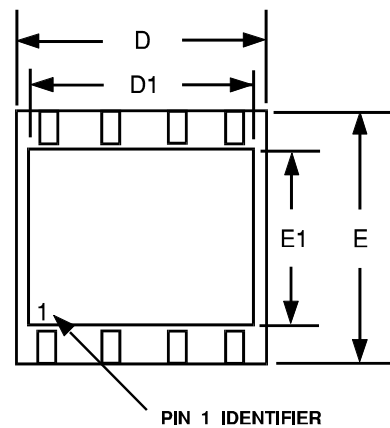


FIGURE 4



| DIM | INCHES | | MILLIMETER | | DIM | INCHES | | MILLIMETER | |
|-----|--------|------|------------|------|-----|--------|------|------------|------|
| | MIN | MAX | MIN | MAX | | MIN | MAX | MIN | MAX |
| A | .115 | .125 | 2.92 | 3.17 | E | .397 | .403 | 10.0 | 10.2 |
| B | .018 | .022 | .457 | .558 | E1 | .264 | .270 | 6.70 | 6.85 |
| B1 | .046 | .051 | 1.14 | 1.29 | G1 | .290 | .310 | 7.36 | 7.87 |
| B2 | .098 | .102 | 2.48 | 2.59 | L | .195 | .215 | 4.95 | 5.46 |
| C | .009 | .012 | 0.22 | 0.30 | P | .085 | .095 | 2.15 | 2.41 |
| D | .397 | .403 | 10.0 | 10.2 | Q | .055 | .065 | 1.39 | 1.65 |
| D1 | .372 | .380 | 9.44 | 9.65 | S | .045 | .055 | 1.14 | 1.39 |

