

Precision Voltage Reference

FEATURES

- ◆ +2.5 V Output, ± 0.250 mV (.01%)
- ◆ Temperature Drift: 0.6 ppm/°C
- ◆ Low Noise: 1.5 μ V_{p-p} (0.1-10Hz)
- ◆ Industry Standard Pinout: 8-pin DIP or Surface Mount Package
- ◆ Excellent Line Regulation: 6 ppm/V Typical
- ◆ Output Trim Capability

APPLICATIONS

The VRE302 is recommended for use as a reference for 14, 16, or 18 bit D/A converters which require an external precision reference. The device is also ideal for calibrating scale factor on high resolution A/D converters. The VRE302 offers superior performance over monolithic references.

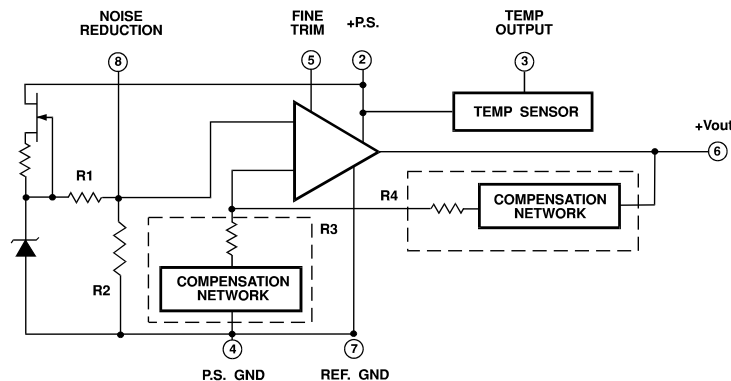
DESCRIPTION

The VRE302 is a low cost, high precision +2.5 V reference. Packaged in the industry standard 8-pin DIP, the device is ideal for upgrading systems that use lower performance references.

The device provides ultrastable +2.5 V output with ± 0.25 mV (.01%) initial accuracy and a temperature coefficient of 0.6 ppm/°C. This improvement in accuracy is made possible by a unique, patented multipoint laser compensation technique. Significant improvements have been made in other performance parameters as well, including initial accuracy, warm-up drift, line regulation, and long-term stability, making the VRE302 series the most accurate reference available in the standard 8-pin DIP package.

For enhanced performance, the VRE302 has an external trim option for users who want less than 0.01% initial error. A reference ground pin is provided to eliminate socket contact resistance errors.

Figure 1. BLOCK DIAGRAM



SELECTION GUIDE

Model	Initial Error (mV)	Temp. Coeff. (ppm/°C)	Temp. Range (°C)	Package Options
VRE302CS	0.50	2.0	0°C to +70°C	SMT8 (GD)
VRE302CD	0.50	2.0	0°C to +70°C	DIP8 (KD)
VRE302JS	0.25	0.6	-40°C to +85°C	SMT8 (GD)
VRE302JD	0.25	0.6	-40°C to +85°C	DIP8 (KD)
VRE302KS	0.40	1.0	-40°C to +85°C	SMT8 (GD)
VRE302LS	0.50	2.0	-40°C to +85°C	SMT8 (GD)
VRE302LD	0.50	2.0	-40°C to +85°C	DIP8 (KD)



8-pin Surface Mount
Package Style GD



8-pin DIP
Package Style KD

1. CHARACTERISTICS AND SPECIFICATIONS

ELECTRICAL SPECIFICATIONS

V_{PS} = ±15V, T = +25°C, R_L = 10KΩ Unless Otherwise Noted.

Model Parameter	A/J			K			C/L			Units
	Min	Typ	Max	Min	Typ	Max	Min	Typ	Max	
ABSOLUTE MAXIMUM RATINGS										
Power Supply	±13.5	±15	±22	*	*	*	*	*	*	V
Operating Temperature (A,B)	0		+70	*		*	*		*	°C
Operating Temperature (K)	-40		+85	*		*	*		*	°C
Storage Temperature	-65		+150	*		*	*		*	°C
Short Circuit Protection	Continuous			*			*			
OUTPUT VOLTAGE										
VRE302		+2.5			*			*		V
Temp. Sensor Voltage (Note 1)		630			*			*		mV
OUTPUT VOLTAGE ERRORS										
Initial Error (Note 2)			0.25			0.40			0.50	mV
Warmup Drift		1			2			3		ppm
T _{MIN} - T _{MAX} (Note3)			0.6			1.0			2.0	ppm/°C
Long-Term Stability		6			*			*		ppm/1000hrs.
Noise (0.1 - 10Hz) (Note 4)		1.5			*			*		µVpp
OUTPUT CURRENT										
Range	±10			*						mA
REGULATION										
Line		6	10		*	*		*	*	ppm/V
Load		3			*			*		ppm/mA
OUTPUT ADJUSTMENT										
Range		10			*			*		mV
POWER SUPPLY CURRENT (Note 5)										
VRE302 +PS		5	7		*	*		*	*	mA

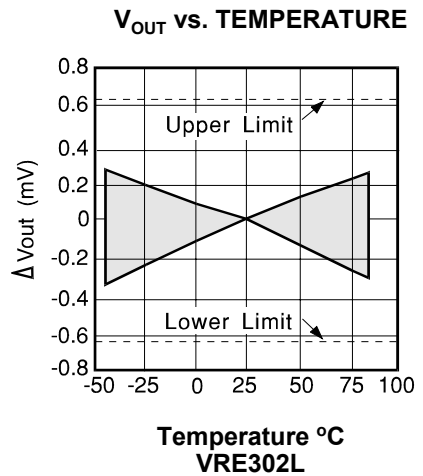
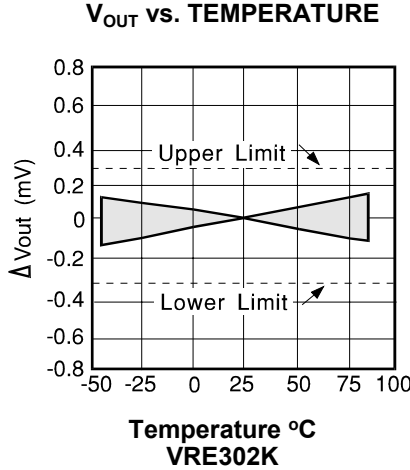
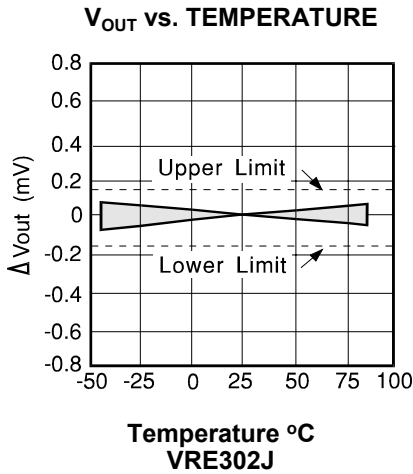
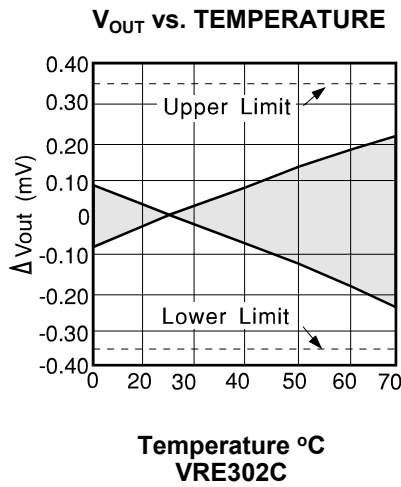
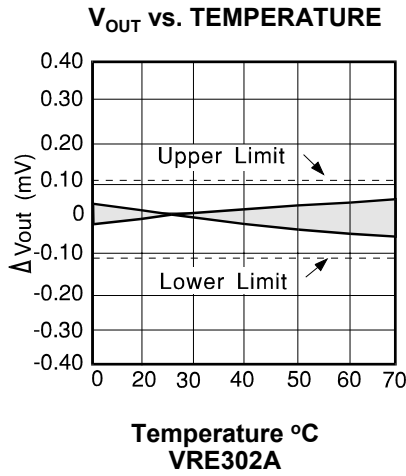
NOTES:

- * Same as A Models.
- 1. The temp. reference TC is 2.1mV/ °C
- 2. The specified values are without external trim.
- 3. The temperature coefficient is determined by the box method using the following formula:

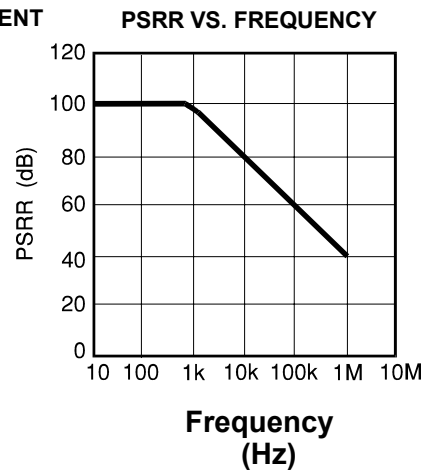
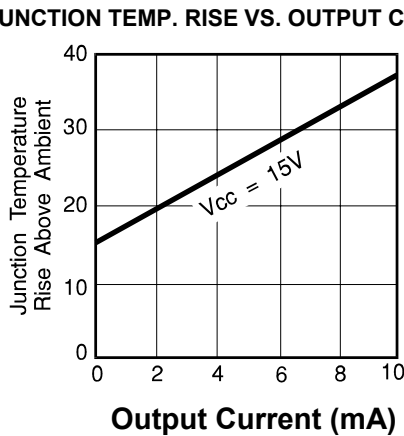
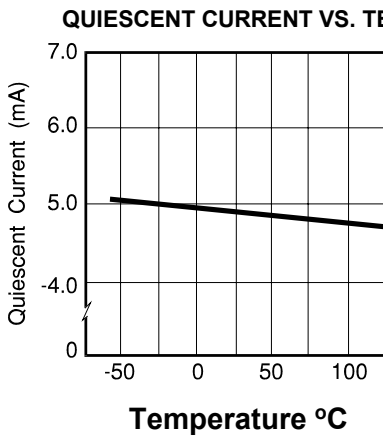
$$T.C. = \frac{V_{MAX} - V_{MIN}}{V_{NOMINAL} \times (T_{MAX} - T_{MIN})} \times 10^6$$

- 4. The specified values are without the external noise reduction capacitor.
- 5. The specified values are unloaded.

2. TYPICAL PERFORMANCE CURVES



————— POSITIVE OUTPUT (TYP) —————



3. THEORY OF OPERATION

The following discussion refers to the schematic in Figure 1. A FET current source is used to bias a 6.3 V zener diode. The zener voltage is divided by the resistor network R1 and R2. This voltage is then applied to the noninverting input of the operational amplifier which amplifies the voltage to produce a 2.5 V output. The gain is determined by the resistor networks R3 and R4: $G=1 + R4/R3$. The 6.3 V zener diode is used because it is the most stable diode over time and temperature.

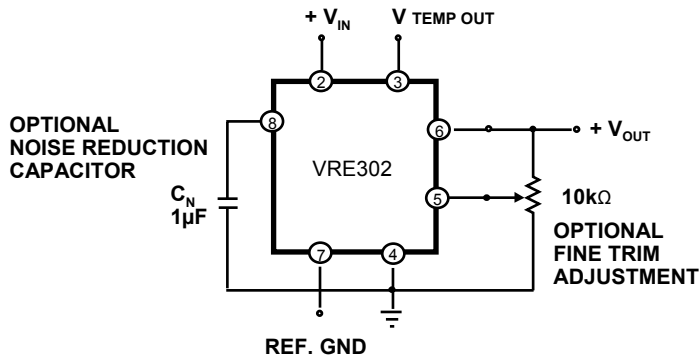
The current source provides a closely regulated zener current, which determines the slope of the references' voltage vs. temperature function. By trimming the zener current a lower drift over temperature can be achieved. But since the voltage vs. temperature function is nonlinear this compensation technique is not well suited for wide temperature ranges.

A nonlinear compensation network of thermistors and resistors is used in the VRE series voltage references. This proprietary network eliminates most of the nonlinearity in the voltage vs. temperature function. By adjusting the slope, a very stable voltage is produced over wide temperature ranges.

This network is less than 2% of the overall network resistance so it has a negligible effect on long term stability.

The proper connection of the VRE302 series voltage references with the optional trim resistor for initial error is shown below. The VRE302 reference has the ground terminal brought out on two pins (pin 4 and pin 7) which are connected together internally. This allows the user to achieve greater accuracy when using a socket. Voltage references have a voltage drop across their power supply ground pin due to quiescent current flowing through the contact resistance. If the contact resistance was constant with time and temperature, this voltage drop could be trimmed out. When the reference is plugged into a socket, this source of error can be as high as 20 ppm. By connecting pin 4 to the power supply ground and pin 7 to a high impedance ground point in the measurement circuit, the error due to the contact resistance can be eliminated. If the unit is soldered into place, the contact resistance is sufficiently small that it does not effect performance. Pay careful attention to the circuit layout to avoid noise pickup and voltage drops in the lines.

EXTERNAL CONNECTIONS



PIN CONFIGURATION

