



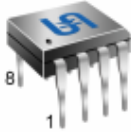
# TS34063AA

## Dc to Dc Converter Controller

SOP-8



DIP-8



Pin assignment:

1. SC
2. SE
3. CT
4. Gnd
5. Comp.
6. Vcc
7. Ipk
8. Vdriver

**Supply Voltage Range 3 V to 40V**  
**Output Driving Current 1.5A**  
**Oscillator Frequency up to 100KHz**

### General Description

The TS34063A is a monolithic switching regulator and subsystem intended for use as DC to DC converter. It contains an internal temperature compensated reference, comparator, controlled duty cycle oscillator with an active peak current limit circuit, drive and a high current output switch.

The TS34063A is specifically designed to be incorporated in step-up, step-down and voltage inverting converter applications.

The TS34063A is offered in SOP-8 and DIP-8 package.

### Features

- ◇ Power forward control circuit
- ◇ Operating voltage form 3V to 40V
- ◇ Low standby current
- ◇ Current limit adjustable
- ◇ Output switch current up to 1.5A
- ◇ Variable oscillator frequency up to 100KHz (max)
- ◇ Output voltage adjustable

### Pin Descriptions

Name	Description
SC	Switch Collector
SE	Switch Emitter
CT	Timing Capacitor
Gnd	Ground
Comp.	Comparator Inverting Input
Vcc	Vcc Collector
Ipk	Ipk Sense
Vdriver	Driver

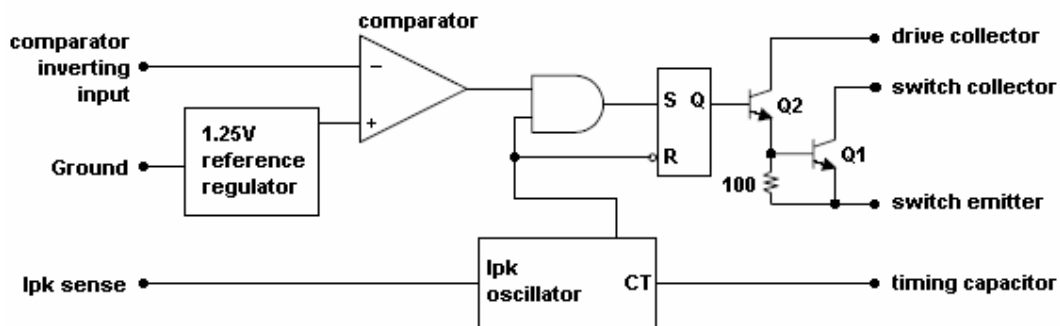
### Applications

- ◇ Charger
- ◇ xD-ROM, xDSL product
- ◇ DC to DC converter s

### Ordering Information

Part No.	Operating Temp. (Ambient)	Package
TS34063ACD	-20 ~ +85 °C	DIP-8
TS34063ACS		SOP-8

### Block Diagram





Absolute Maximum Rating						
Supply Voltage	$V_{CC}$	40	V			
Comparator Input Voltage Range	$V_{FB}$	- 0.3 ~ 40	V			
Switch Collector Output Voltage	$V_{C(SW)}$	40	V			
Switch Emitter Voltage	$V_{E(SW)}$	40	V			
Switch Collector to Emitter Voltage	$V_{CE(SW)}$	40	V			
Driver Collector Voltage	$V_C(\text{driver})$	40	V			
Driver Collector Current (note 1)	$I_C(\text{driver})$	100	mA			
Output Switching Current	$I_{SW}$	1.5	A			
Power Dissipation	DIP-8 SOP-8	$P_d$	1.0 0.5	W		
Operating Junction Temperature Range	$T_J$	-0 ~ +125	°C			
Storage Temperature Range	$T_{STG}$	-65 ~ +150	°C			
Note: Maximum package power dissipation limits must be observed						
Electrical Characteristics ( $V_{CC} = 5V$ , $T_a = 25^\circ C$ ; unless otherwise specified.)						
Parameter	Symbol	Test Conditions	Min	Typ	Max	Unit
<b>Oscillator (OSC)</b>						
Frequency	$F_{OSC}$	$C_T = 1nF$ , $V_{pin5} = 0V$	24	33	42	KHz
Charge Current	$I_{CHARGE}$	$V_{CC} = 5V \sim 40V$	--	30	--	$\mu A$
Discharge Current	$I_{DISCHARGE}$	$V_{CC} = 5V \sim 40V$	--	200	--	$\mu A$
Discharge to Charge current ratio	$I_{DISCHARGE} / I_{CHARGE}$	Pin7 to $V_{CC}$	--	6.5	--	--
Current Limit Sense Voltage	$V_{IPK(SENSE)}$	$I_{DISCHARGE} = I_{CHARGE}$	250	--	350	mV
<b>Output switch (note1)</b>						
Saturation Voltage	$V_{CE(SAT)}$	$I_{SW} = 1A$ , pin1,8 connected)	--	1.0	1.3	V
Saturation Voltage	$V_{CE(SAT)}$	$I_{SW} = 1A$ , $I_d = 50mA$	--	0.45	0.7	V
DC current gain	$H_{FE}$	$I_{SW} = 1A$ , $V_{ce} = 0.5V$	--	75	--	--
Collector off-state current	$I_{C(OFF)}$	$V_{ce} = 40V$	--	0.01	100	$\mu A$
<b>Comparator</b>						
Threshold Voltage	$V_{REF}$		1.225	1.25	1.275	V
Line regulation	RegLine	$V_{CC} = 3V \sim 40V$	--	--	6	mV
<b>Total device</b>						
Supply Current	$I_{CC}$	$V_{CC} = 5V \sim 40V$ , $C_T = 1nF$ , pin7= $V_{CC}$ , pin5>> $V_{th}$ , pin2=Gnd, remaining pins open	--	1.6	3	mA

Note: 1. Low duty cycle pulse techniques are used during test to maintain junction temperature as close to ambient temperature as possible

2. If the output switch is driven into hard saturation (non-Darlington configuration) at low switch currents ( $\leq 300mA$ ) and high driver currents ( $\geq 30mA$ ), it may take up to 2 $\mu s$  for it to come out of saturation. This condition will shorten the off time at frequencies  $\geq 30KHz$ , and is magnified at high temperature. This condition does not occur with a Darlington configuration, since the output switch cannot saturate. If a non-Darlington configuration is used, the following output drive condition is recommended:

Forced Beta of output switch:  $I_C \text{ output} / (I_C \text{ driver} - 7mA^*) \geq 10$

\* The 100ohm resistor in the emitter of the driver divide requires about 7mA before the output switch conducts.

## Circuit Description

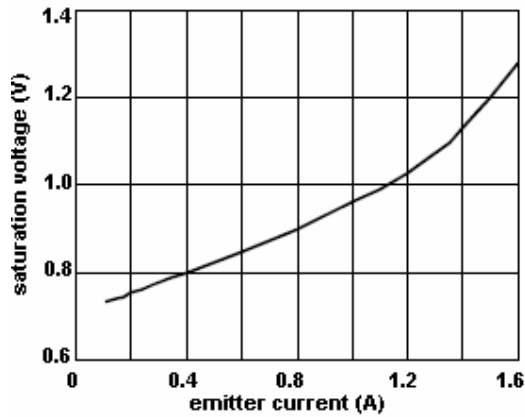


Figure 1.  $V_{ce(sat)}$  vs emitter current

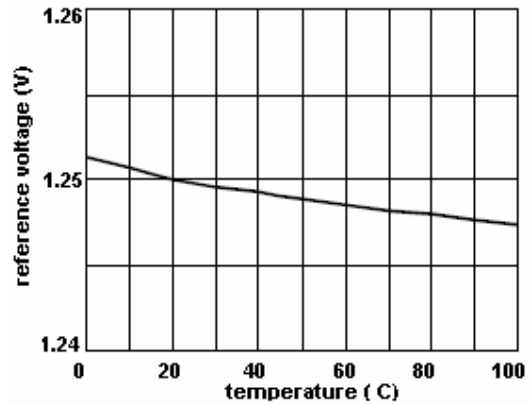


Figure 2. reference voltage vs temp.

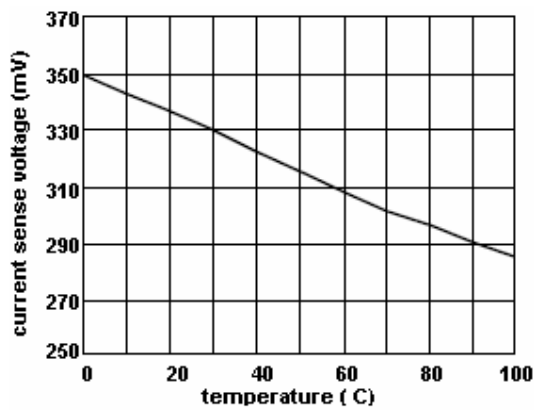


Figure 3. current limit sense voltage vs temperature

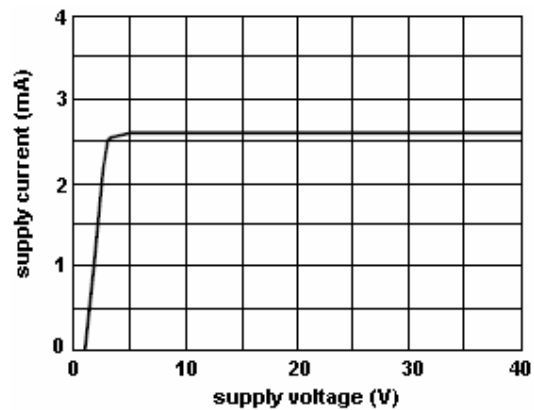


Figure 4. standby supply current vs supply voltage

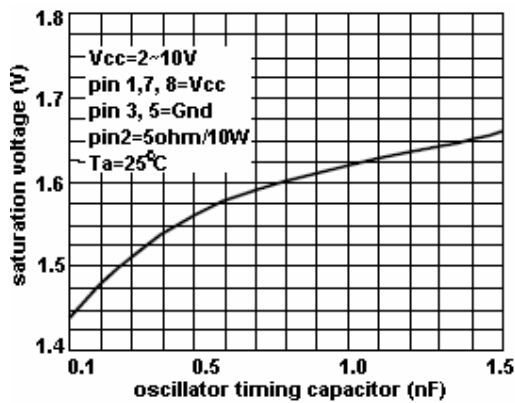


Figure 5. emitter follower configuration output saturation voltage vs emitter current

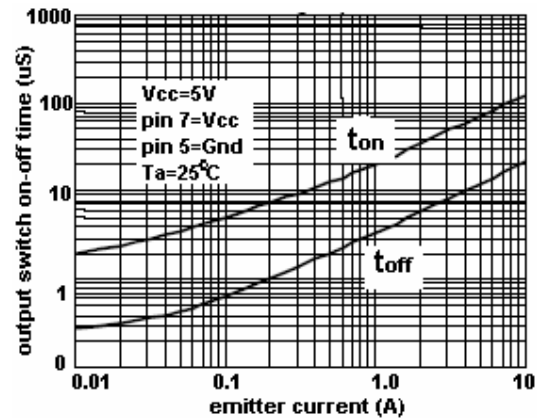


Figure 6. output switch on-off time vs oscillator timing capacitor

## Typical Application Circuit

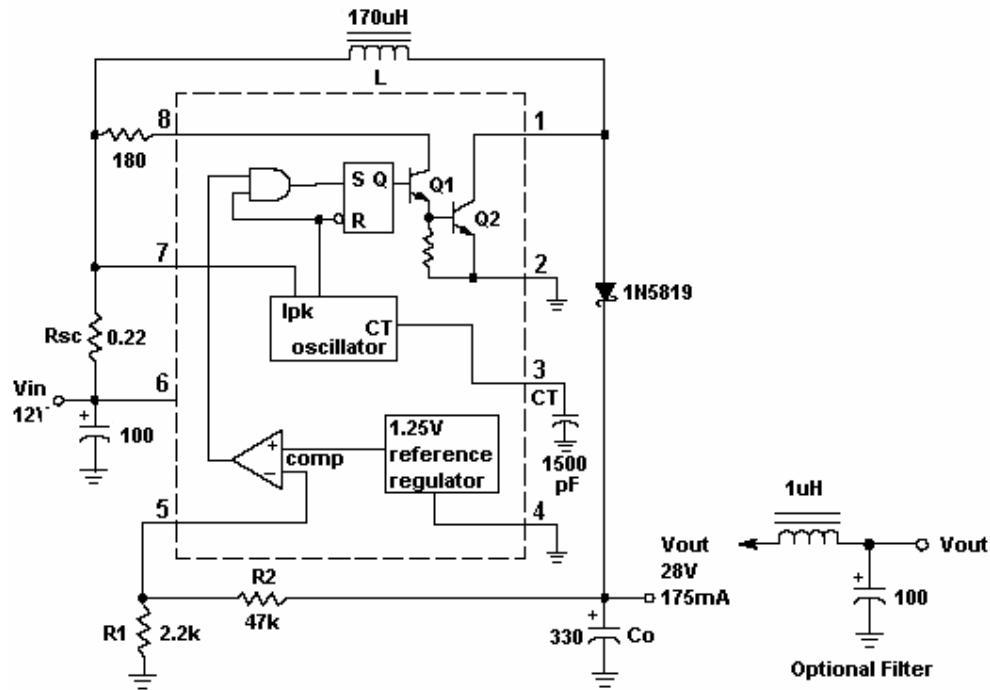


Figure 7. Step Up Converter

Test	Conditions	Results
LINE REGULATION	$V_{in} = 8V \sim 16V$ , $I_o = 175mA$	30mV +/- 0.05%
Load Regulation	$V_{in} = 12V$ , $I_o = 75mA$ to $175mA$	10mV +/- 0.017%
Output Ripple	$V_{in} = 12V$ , $I_o = 175mA$	400mVpp
Efficiency	$V_{in} = 12V$ , $I_o = 175mA$	87.7%
Output Ripple with Optional Filter	$V_{in} = 12V$ , $I_o = 175mA$	40mVpp

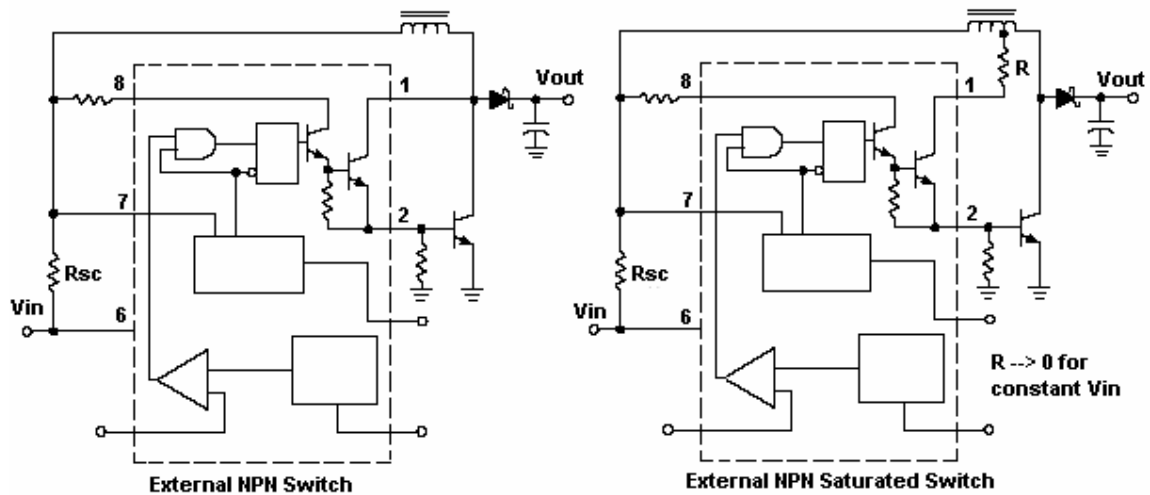


Figure 8. External Current Boost Connections for  $I_c$  Peak Greater than 1.5A

### Typical Application Circuit (continues)

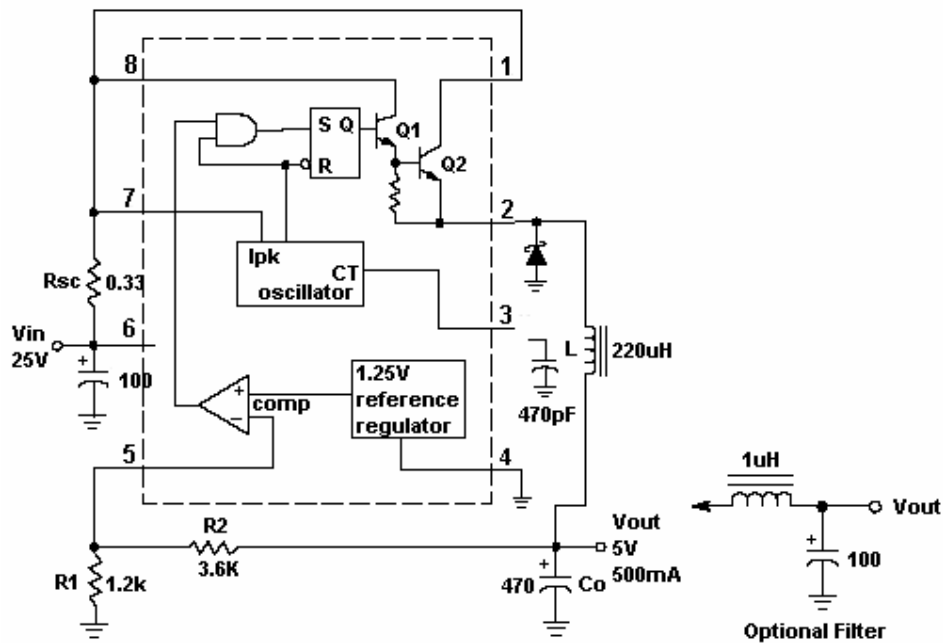


Figure 9. Step Down Converter

Test	Conditions	Results
Line Regulation	Vin= 15V~25V, Io= 500mA	12mV +/- 0.12%
Load Regulation	Vin= 25V, Io= 50mA to 500mA	3mV +/- 0.03%
Output Ripple	Vin= 25V, Io= 500mA	120mVpp
Short Circuit Current	Vin= 25V, RL= 0.1ohm	1.1A
Efficiency	Vin= 25V, Io= 500mA	83.7%
Output Ripple with Optional Filter	Vin= 25V, Io= 500mA	40mVpp

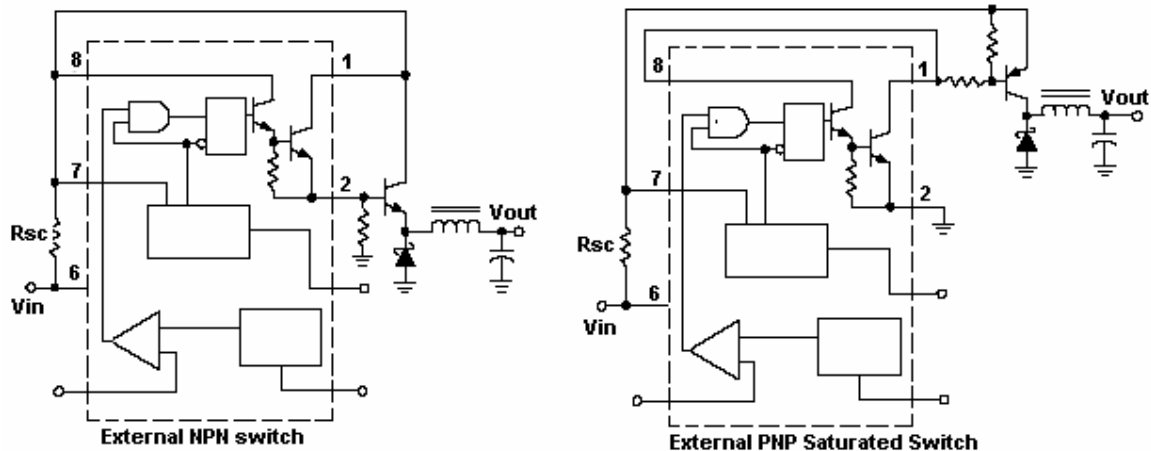


Figure 10. External Current Boost Connections for Ic Peak Greater than 1.5A

### Typical Application Circuit (continues)

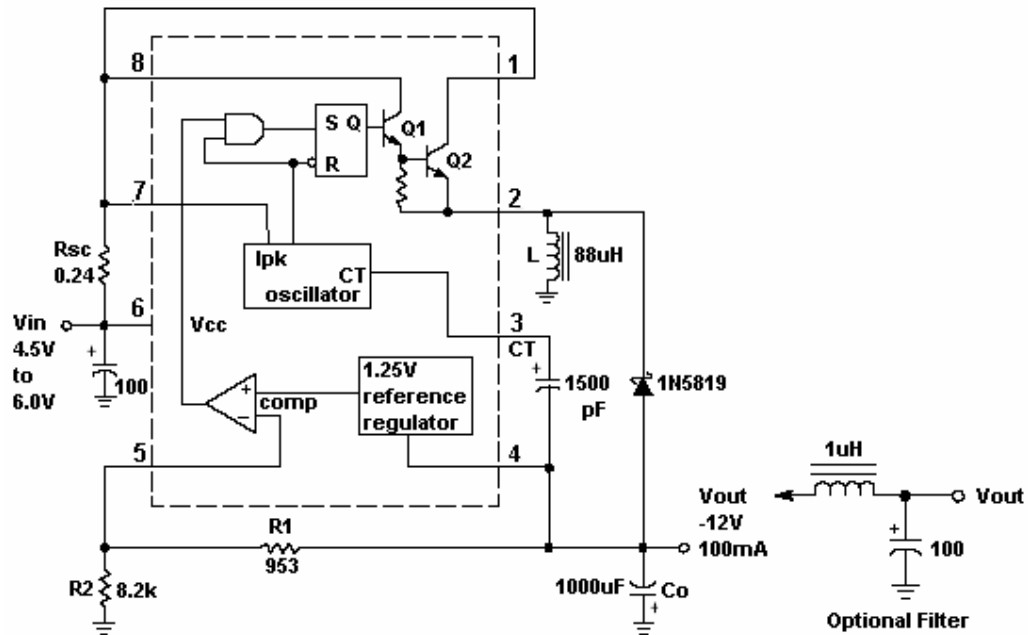


Figure 11. Voltage Inverting Converter

Test	Conditions	Results
Line Regulation	$V_{in}=4.5V-6.0V$ , $I_o=100mA$	3mV +/- 0.012%
Load Regulation	$V_{in}=5V$ , $I_o=10mA$ to 100mA	22mV +/- 0.09%
Output Ripple	$V_{in}=5V$ , $I_o=100mA$	500mVpp
Short Circuit Current	$V_{in}=5V$ , $R_L=0.1ohm$	900mA
Efficiency	$V_{in}=5V$ , $I_o=100mA$	62.2%
Output Ripple with Optional Filter	$V_{in}=5V$ , $I_o=100mA$	70mVpp

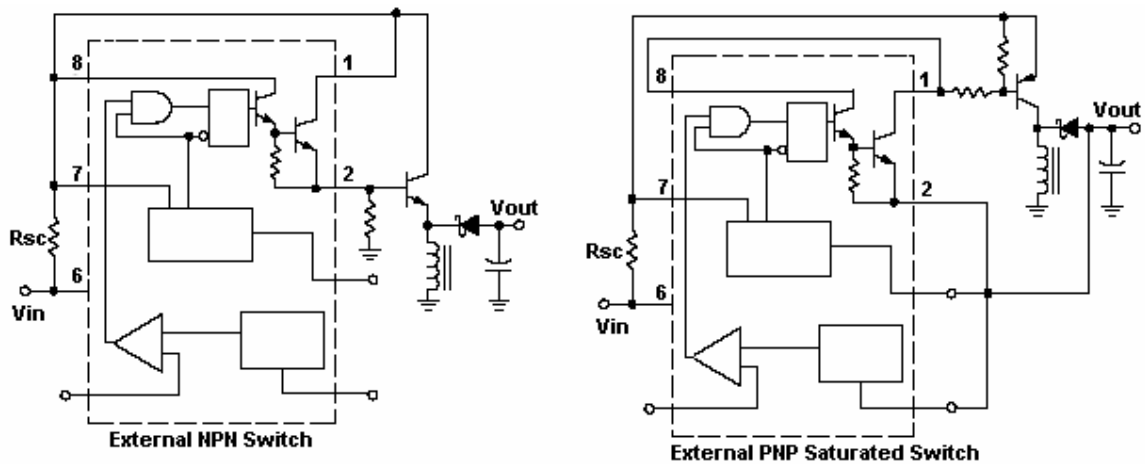


Figure 12. External Current Boost Connections for  $I_c$  Peak Greater than 1.5A

## Design Formula Table

Test	Step Up	Step Down	Voltage Inverting
$\frac{t_{on}}{t_{off}}$	$\frac{V_{out} + V_f - V_{in(min)}}{V_{cc(min)} - V_{sat}}$	$\frac{V_{out} + V_f}{V_{cc} - V_{sat} - V_{out}}$	$\frac{ V_{out}  + V_f}{V_{cc} - V_{sat}}$
( $t_{on} + t_{off}$ )	$\frac{1}{f_{min}}$	$\frac{1}{f_{min}}$	$\frac{1}{f_{min}}$
CT	$4.0 \times 10^{-5} t_{on}$	$4.0 \times 10^{-5} t_{on}$	$4.0 \times 10^{-5} t_{on}$
$I_{pk}(switch)$	$2I_{out(max)} \left( \frac{t_{on}}{t_{off}} + 1 \right)$	$2I_{out(max)}$	$2I_{out(max)} \left( \frac{t_{on}}{t_{off}} + 1 \right)$
R <sub>sc</sub>	$\left( \frac{0.3}{I_{pk}(switch)} \right)$	$\left( \frac{0.3}{I_{pk}(switch)} \right)$	$\left( \frac{0.3}{I_{pk}(switch)} \right)$
L(min)	$\left( \frac{V_{in(min)} - V_{sat}}{I_{pk}(switch)} \right) * t_{on(max)}$	$\left( \frac{V_{in(min)} - V_{sat} - V_{out}}{I_{pk}(switch)} \right) * t_{on(max)}$	$\left( \frac{V_{in(min)} - V_{sat}}{I_{pk}(switch)} \right) * t_{on(max)}$
Co	$\left( 9 \frac{I_{out} * t_{on}}{V_{ripple(pp)}} \right)$	$\left( \frac{I_{pk}(switch)(t_{on} + t_{off})}{8V_{ripple(pp)}} \right)$	$\left( 9 \frac{I_{out} * t_{on}}{V_{ripple(pp)}} \right)$

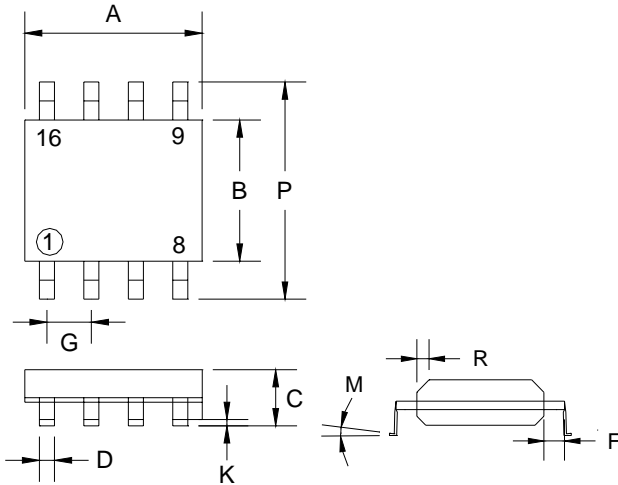
### Terms and Definitions

- V<sub>sat</sub> = Saturation Voltage of the output switch.
- V<sub>f</sub> = Forward Voltage drop of the rectifier.

The following power supply characteristics must be chosen:

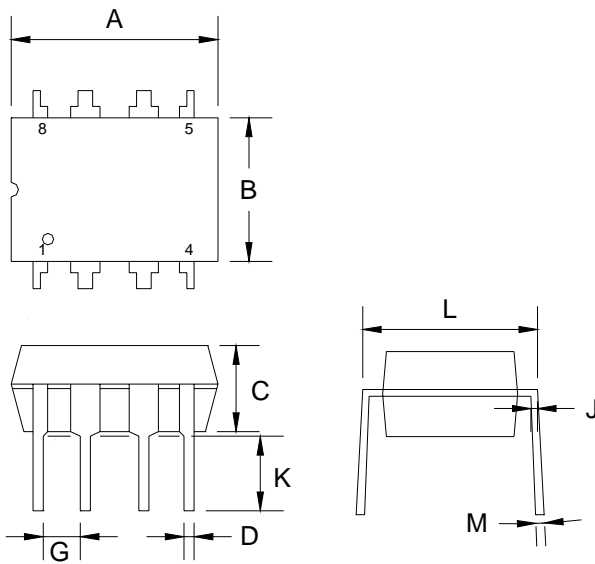
- V<sub>in</sub> = Normal input voltage
- V<sub>out</sub>: Desired Output voltage,  $|V_{out}| = 1.25 (1 + R_2 / R_1)$
- I<sub>out</sub> : Desired output current.
- f<sub>min</sub> : Minimum desired output switching frequency at the selected values for V<sub>in</sub> and I<sub>o</sub>.
- V<sub>ripple(p-p)</sub>: Desired peak-to-peak output ripple voltage. In practice, the calculated capacitor value will need to be increased due to its equivalent series resistance and board layout. The ripple voltage should be kept to a low value since it will directly affect the line and load regulation.

## SOP-8 Mechanical Drawing



SOP-8 DIMENSION				
DIM	MILLIMETERS		INCHES	
	MIN	MAX	MIN	MAX
A	4.80	5.00	0.189	0.196
B	3.80	4.00	0.150	0.157
C	1.35	1.75	0.054	0.068
D	0.35	0.49	0.014	0.019
F	0.40	1.25	0.016	0.049
G	1.27 (typ)		0.05 (typ)	
K	0.10	0.25	0.004	0.009
M	0°	7°	0°	7°
P	5.80	6.20	0.229	0.244
R	0.25	0.50	0.010	0.019

## DIP-8 Mechanical Drawing



DIP-8 DIMENSION				
DIM	MILLIMETERS		INCHES	
	MIN	MAX	MIN	MAX
A	9.07	9.32	0.357	0.367
B	6.22	6.48	0.245	0.255
C	3.18	4.45	0.125	0.135
D	0.35	0.55	0.019	0.020
G	2.54 (typ)		0.10 (typ)	
J	0.29	0.31	0.011	0.012
K	3.25	3.35	0.128	0.132
L	7.75	8.00	0.305	0.315
M	-	10°	-	10°