



3 SIRENS AND MACHINE GUN WITH 2 LEDES

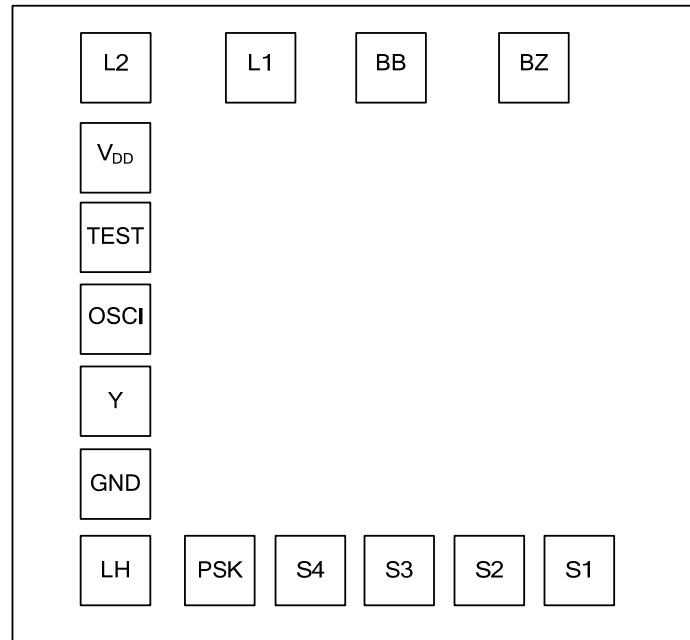
■ DESCRIPTION

This chip is a CMOS LSI designed for the applications, such as game box, toys ..., and so on. It is easy for you to design your consumer products using minimum application circuit. The sound can be selected to Fire Engine Siren, Ambulance Siren, Police Siren and Machine Gun sound mode. Sequence function from S1 to S4 and One shot or Sequence and Level hold function can be programmed by changing push down different switch.

■ FEATURES

- * 2.0V ~ 5V power supply
- * 2 LEDES flash
- * Low power consumption
- * BB&BZ output directly drive piezo buzzer.
- * 3 Sirens and Machine Gun sound
- * One shot or Sequence and Level hold function option

■ PAD CONFIGURATION



■ PAD FUNCTION

PAD NAME	DESCRIPTION
NC	No Connect
BZ	Sound output pin 1
BB	Sound output pin 2
L1	LED output pin.
L2	LED output pin.
V _{DD}	Positive power supply
TEST	Test pin
OSCI	Oscillator input pin
Y	Oscillator output pin
GND	Negative power supply
LH	Level Hold
PSK	Sequence function from S1 to S4 sound
S4	Machine Gun sound
S3	Police Siren sound
S2	Ambulance Siren sound
S1	Fire Engine Siren sound

■ ABSOLUTE MAXIMUM RATING

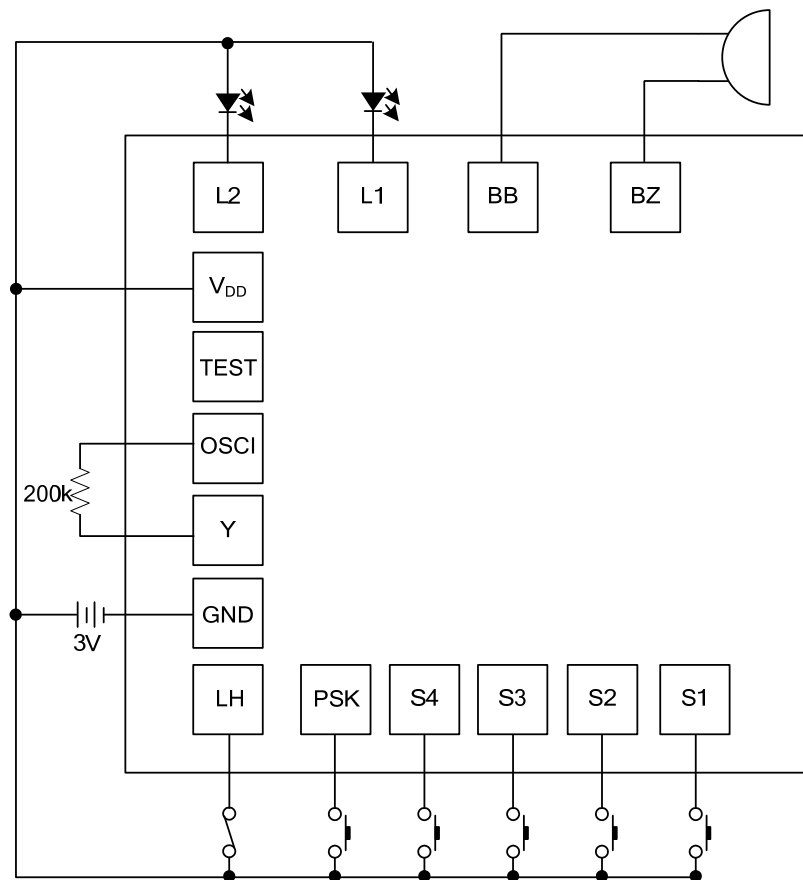
PARAMETER	SYMBOL	RATINGS	UNIT
DC Supply Voltage	V_{DD}	2~ 5	V
Input/Output Voltage	V_{IN}	GND-0.3~ $V_{DD}+0.3$	V
Operating Temperature	T_{OPR}	-10~60	°C
Storage Temperature	T_{STG}	-25~125	°C

Note: Absolute maximum ratings are those values beyond which the device could be permanently damaged.
Absolute maximum ratings are stress ratings only and functional device operation is not implied.

■ ELECTRICAL CHARACTERISTICS ($T_a=25^{\circ}\text{C}$, $V_{DD}=3.0\text{V}$, GND=0V, unless otherwise specified)

PARAMETER	SYMBOL	TEST CONDITIONS	MIN	TYP	MAX	UNIT
Operating Voltage	V_{DD}			3.0		V
Standby Current	I_{STB}	$V_{DD}=3\text{V}$, I/O open		2	100	uA
Operating Current	I_{OP}	$V_{DD}=3\text{V}$, I/O open		0.1	0.5	mA
BZ, BB Driving Current	I_O	$V_{DS}=1\text{V}$	10			mA
LED sink Current	I_{LED}	$V_{LED}=1.8\text{V}$		20		mA
Oscillator Frequency	F_{OSC}	$V_{DD}=3\text{V}$	125	150	175	KHz

■ TYPICAL APPLICATION CIRCUIT



UTC assumes no responsibility for equipment failures that result from using products at values that exceed, even momentarily, rated values (such as maximum ratings, operating condition ranges, or other parameters) listed in products specifications of any and all UTC products described or contained herein. UTC products are not designed for use in life support appliances, devices or systems where malfunction of these products can be reasonably expected to result in personal injury. Reproduction in whole or in part is prohibited without the prior written consent of the copyright owner. The information presented in this document does not form part of any quotation or contract, is believed to be accurate and reliable and may be changed without notice.