

LM9630 100 x 128, 580 fps Ultra Sensitive Monochrome CMOS Image Sensor

General Description

The LM9630 is a high performance, low power, CMOS Active Pixel Image Sensor capable of capturing monochrome images at 580 frames per second.

In addition to the active pixel array, an on-chip 8 bit A/D converter, fixed pattern noise elimination circuits and a video gain amplifier are provided.

The integrated programmable timing and control circuit allows the user maximum flexibility in adjusting integration time and frame rate. Furthermore, a fast read out circuit is provided allowing a full frame to read out on a single 8-bit digital data bus in less than 2ms.

The sensor utilizes a patented pixel design that incorporates an integrated electronic shutter. This together with its ultra high sensitivity makes the LM9630 an ideal choice for low light imaging applications or applications where images of fast moving objects need to be captured with minimum motion blur.

Applications

- High Speed Motion Detection
- IR Imaging
- Low Light Imaging Applications

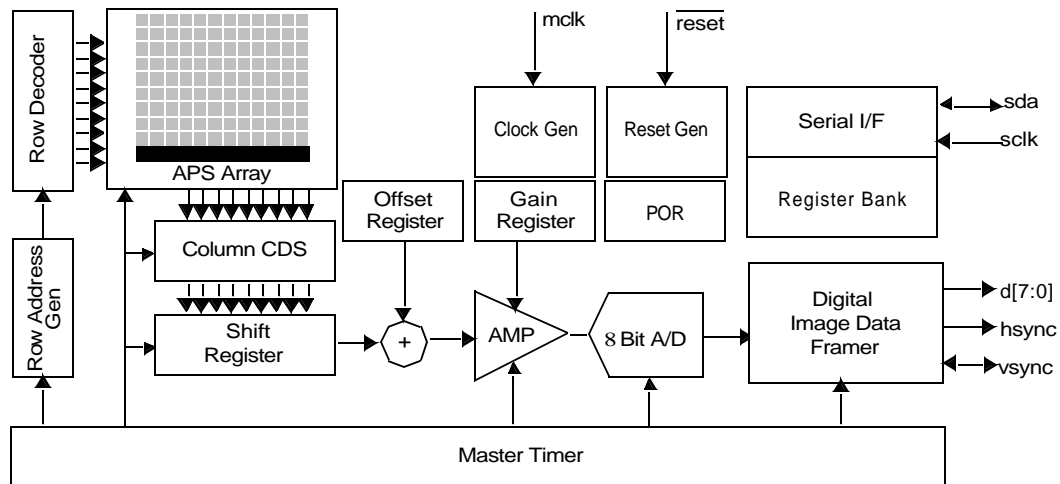
Features

- Electronic shutter with global reset & pixel exposure.
- Programmable analog video gain.
- Integrated 8 bit analog to digital conversion.
- Programmable integration time.
- Programmable frame rate.
- Master and slave mode of operation
- On chip black level compensation.
- Power down and low power modes.
- I²C compatible serial interface.
- 10 bit digital video port (8 data, vertical & horizontal sync).
- Power on reset with hardware and software override.

Key Specifications

Array Format	Total	128H x 101V
	Active	118H x 96V
Effective Image Area	Total	2.56 mm x 2.00 mm
	Active	2.36 mm x 1.92 mm
Optical Format		1/5"
Pixel Size		20µm x 20µm
Video Outputs		8 Bit Digital
Frame Rate		580 frames per second
Dynamic Range		48 dB
Electronic Shutter		Global Reset
FPN		0.5%
PRMU		1.3%
Sensitivity		22 Volt/lux.s
Fill Factor		47%
Package		32 CLCC
Single Supply		3.3V +/- 10%
Power Consumption		110 mW
Operating Temp		-40°C to 85°C

Chip Block Diagram



Ordering Information (Product, Samples & Design In Tools)

Item	Description	Part Number
LM9630	LM9630, 580 frames per second, ultra sensitive, 128x101 monochrome CMOS image sensor. This sensor is shipped in a 48 pin ceramic leadless chip carrier package. Minimum order quantity, one tray of 176 units.	LM9630BIEA
Sample Kit	This kit includes 5 LM9630 samples and complete product datasheet.	LM9630SAMPLE-KIT
Headboard	This is a small PCB that houses the LM9630 sensor together with all the necessary discrete components. The headboard is supplied with C-MOUNT lens block (lens not included) and documentation. M12 Lens mounts (not included) can be mounted on this board.	LM9630HEADBOARD
Evaluation Kit	The evaluation kit is a complete software/hardware solution designed to give the system designer a complete raw data evaluation toolset for the LM9630 sensor. The kit contains a LM9630 headboard (see above), C-MOUNT lens, capture and display board, power supply, SNAPS EVAL version Windows application software and documentation.	LM9630EVAL-KIT
1/5" Lens Kit	The 1/5" lens kit includes two 1/5" M12 lenses and an M12 mount that can be attached to any LM9630 headboard (see above). All lenses in the kit have been tested by National Semiconductor and are supplied with documentation and test data.	LM96-1/5-LENS-KIT

LIFE SUPPORT POLICY

NATIONAL'S PRODUCTS ARE NOT AUTHORIZED FOR USE AS CRITICAL COMPONENTS IN LIFE SUPPORT DEVICES OR SYSTEMS WITHOUT THE EXPRESS WRITTEN APPROVAL OF THE PRESIDENT AND GENERAL COUNSEL OF NATIONAL SEMICONDUCTOR CORPORATION. As used herein:

1. Life support devices or systems are devices or systems which, (a) are intended for surgical implant into the body, or (b) support or sustain life, and whose failure to perform when properly used in accordance with instructions for use provided in the labeling, can be reasonably expected to result in a significant injury to the user.
2. A critical component is any component of a life support device or system whose failure to perform can be reasonably expected to cause the failure of the life support device or system, or to affect its safety or effectiveness.



National Semiconductor Corporation
Americas
Tel: 1-800-272-9959
Fax: 1-800-737-7018
Email: support@nsc.com

www.national.com

National Semiconductor Europe
Fax: +49 (0) 1 80-530 85 86
Email: europe.support@nsc.com
Deutsch Tel: +49 (0) 69 9508 6208
English Tel: +44 (0) 870 24 0 2171
Francais Tel: +33 (0) 1 41 91 8790

National Semiconductor Asia Pacific Customer Response Group
Tel: 65-2544466
Fax: 65-2504466
Email: ap.support@nsc.com

National Semiconductor Japan Ltd.
Tel: 81-3-5639-7560
Fax: 81-3-5639-7507