

Specification

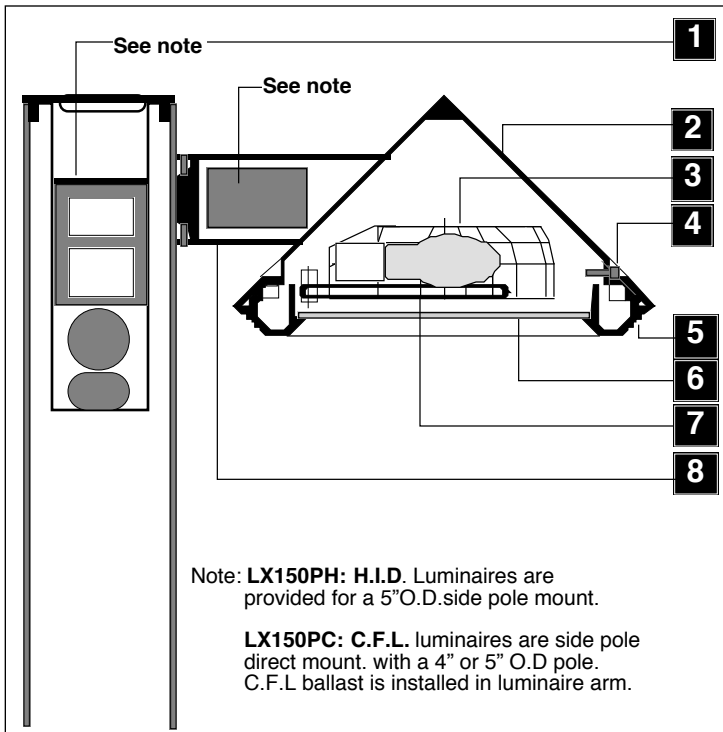
LX150PC . LX150PH

All exposed cast aluminum components are made of non corrosive pure aluminum copper free (Aluminum is less than .1% copper content.#356 alloy.)

Finish: All polyester powder baked coatings preceded with a 5 baths preparation process. Meets military grade MIL-C781706 with a 2000 hours salt spray test.

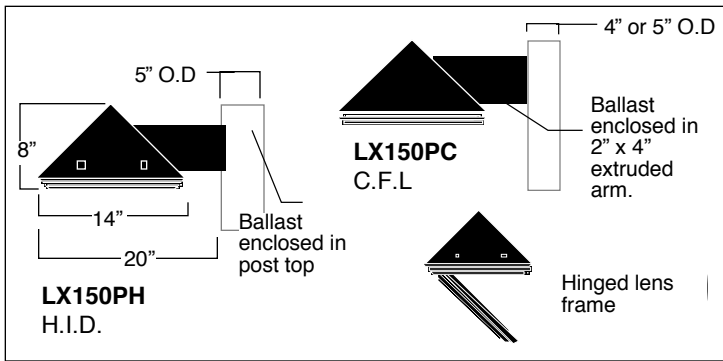
- Pulse rated medium base porcelain socket.
- 75W/600V thermoplastic compact fluorescent socket.
- One-piece molded silicone gasket with memory retention.
- High power factor CWA ballast. Or 98% P.F.electronic smart ballast with end of life detection for compact fluorescent.
- All stainless steel hardware.
- All Moving and removable parts are sealed with a memory retention silicone gasket.
- Cast aluminum swing out hinge mechanism for quick maintenance access.

- 1 - H.I.D. Ballast assembly post top pull-out tray, for ease of access and maintenance. C.F.L ballast is enclosed in luminaire arm. (See note.)
- 2 - One piece copper free cast aluminum pyramid housing .
- 3 - Standard specular multi facet reflector,with type III distribution for point sources.
- 4 - Stainless steel captive hexagonal cap screws .
- 5 - Cast aluminum sealed and hinged regressed glass frame, with perimeter memory retention embedded silicone gasket.
- 6 - Clear tempered glass lens.
- 7 - Hinge frame slider allowing to keep the luminaire lens frame in open position during maintenance.
- 8 - Standard 2" X 4" Extruded aluminum arm to accommodate C.F.L electronic ballast.

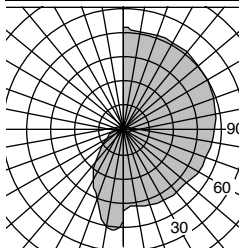


Note: **LX150PH: H.I.D.** Luminaires are provided for a 5" O.D. side pole mount.

LX150PC: C.F.L. luminaires are side pole direct mount. with a 4" or 5" O.D pole. C.F.L ballast is installed in luminaire arm.



Photometry



Separate updated technical specification sheets with related models and light sources with I.E.S formatted photometry are available on www.luminis.com.

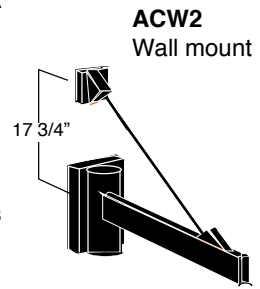
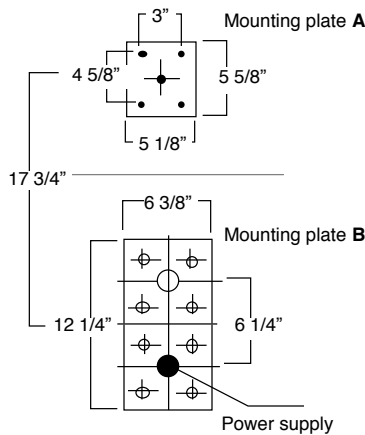
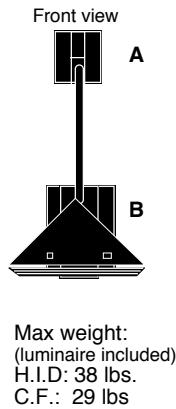
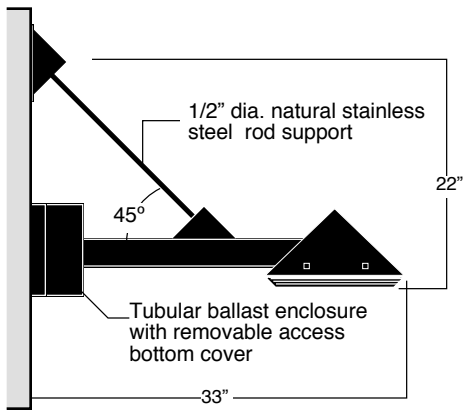
Certification	Mounting
UL. Wet Location.	E.P.A.: 0.74
	Installation: Please refer to page 146 for compatible pole attachment.

For options details and specifications, please refer to pages 42-54 & 72.

Model#	Light source selection	Voltage	Finish	Options	
<input type="checkbox"/> LX150PC <input type="checkbox"/> *LX150PH	LX150PH MH (ED17) <input type="checkbox"/> M70 <input type="checkbox"/> M100 <input type="checkbox"/> M150 <input type="checkbox"/> M175 HPS (ED17) <input type="checkbox"/> H70 <input type="checkbox"/> H100 <input type="checkbox"/> H150	LX150PC CF (Gx24q) Single lamp <input type="checkbox"/> F142 <input type="checkbox"/> F157 <input type="checkbox"/> F170 CF (Gx24q) Two lamp <input type="checkbox"/> F226 <input type="checkbox"/> F232 <input type="checkbox"/> F242	120 V Standard factory prewired (If no voltage is specified) For other voltages, please specify with catalog number. H.I.D. <input type="checkbox"/> 208 V <input type="checkbox"/> 240 V <input type="checkbox"/> 277 V <input type="checkbox"/> 347 V <input type="checkbox"/> 480 V COMP. FLUO. Smart ballast 120/277 <input type="checkbox"/> 347 V (To specify)	(Refer to color chart) Standard selection <input type="checkbox"/> WHT: Snow white <input type="checkbox"/> BKT: Jet black <input type="checkbox"/> BZT: Bronze <input type="checkbox"/> GRT: Titanium gray <input type="checkbox"/> DGT: Gun metal <input type="checkbox"/> CHT: Champagne <input type="checkbox"/> MST: Matte silver <input type="checkbox"/> GNT: Forest green Optional colors <input type="checkbox"/> CS: Custom color <input type="checkbox"/> RAL: RAL# color	Accessories <input type="checkbox"/> RL5: Type V semi specular reflector. <input type="checkbox"/> RL4: Forward Throw type IV distribution. RL4 is available with LX150PC & LX150PH series single lamp only) Electrical <input type="checkbox"/> FS: Fuse <input type="checkbox"/> PH1: 120/277V photo cell <input type="checkbox"/> PH2: 347V photo cell Note: F226-F232-F242 Two C.F.L. lamps are applicable with RL5 reflector only
	Best results with H.I.D. Clear lamps (Lamps by others)				

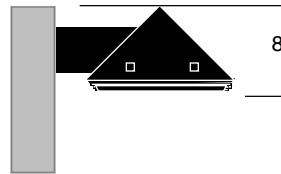
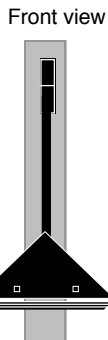
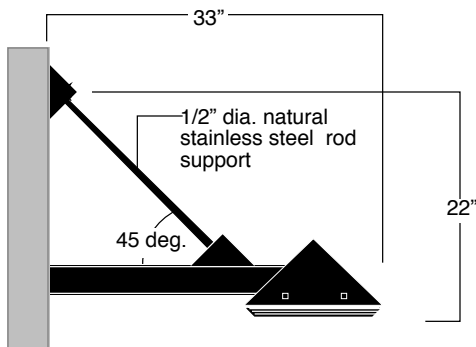
* LX150PH Series require a 5" O.D. pole (Please refer to page 146)

luminaires may be altered for design improvements or discontinued without prior notice.



LX120-ACW2 Compact fluorescent
LX124-ACW2 H.I.D

Extruded aluminum wall mounted adaptor . 5" dia.x 12 3/4" lg. tubular ballast enclosure with removable cover for access to ballast tray. Cast aluminum wall mounted plate. 1/2" dia.stainless steel rod support. Extruded arm and all other parts are painted same color as luminaire .



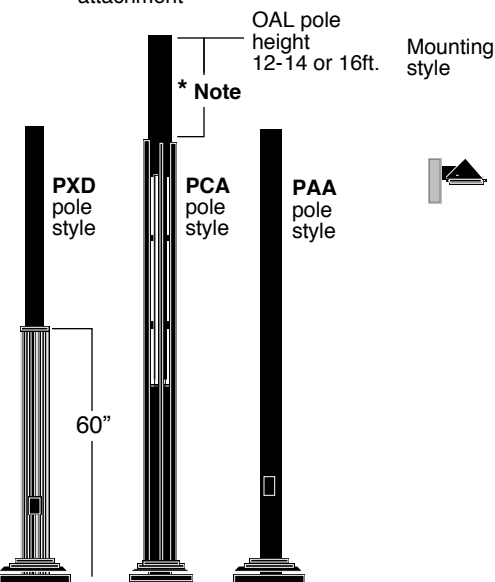
LX150-PC Compact fluorescent
LX150-PH H.I.D

E.P.A.: .74
 Extruded aluminum side pole mounting adaptor. 2" X 4" Extruded arm and all other parts are painted same color as luminaire..

LX120-ACA2 Compact fluorescent
LX124-ACA2 H.I.D

E.P.A.: 2.0
 Extruded aluminum side pole mounting adaptor. 1/2" dia. stainless steel natural rod support. Extruded arm and all other parts are painted same color as luminaire.

* Note: 36" extension with ACA2 attachment
 24" extension with LX150PC / LX150PH attachment



Post side mount for LX150PC
 (For Luxor Compact Fluorescent.)

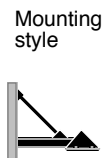
4" O.D.	5" O.D.	4" O.D.	4" O.D.
PAA410-APC	PAA510-APC		PXD10-APC
PAA412-APC	PAA512-APC	PCA12-APC	PXD12-APC
PAA414-APC	PAA514-APC	PCA14-APC	PXD14-APC
PAA416-APC	PAA516-APC	PCA16-APC	PXD16-APC
PAA418-APC	PAA518-APC		PXD18-APC
PAA420-APC	PAA520-APC		PXD20-APC

Post side mount for LX150PH
 (For Luxor HID.)

5" O.D.	Pole height
PAA510-APC	10 ft
PAA512-APC	12 ft
PAA514-APC	14 ft
PAA516-APC	16 ft
PAA518-APC	18 ft
PAA520-APC	20 ft

Post side mount with ACA2 attachment accessory

Post top mounting for LX120-ACA2 and LX124-ACA2



PAA514-ACA	14 ft
PAA516-ACA	16 ft
PAA518-ACA	18 ft
PAA520-ACA	20 ft

For poles details and specification, please refer to pages 140 to 144

luminaires may be altered for design improvements or discontinued without prior notice.