



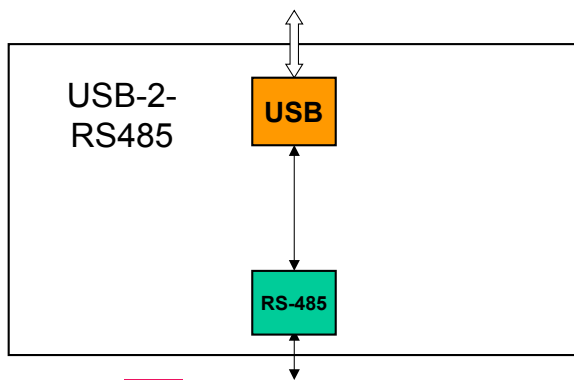
INFO The USB-2-485 device is a low-cost interface converter that supplies a simple-to-use RS485 interface to a PC with an USB port. The USB-2-485 device can be used everywhere where an RS485 interface is needed, since it does not require special software. It can be operated with most simple terminal programmes supporting the serial interface. The software supplied with this product can be used with every version of the Windows operating system that supports USB (Windows 98, Windows ME, Windows 2000, Windows XP). The USB-2-485 device can be connected to USB 1.1 or USB 2.0 hosts and supports the full bitrate of 12MBit/s. It is fully powered by the bus, so no extra power supply is needed.

USB-2-485

**USB to RS485
Interface Converter
with Virtual COM Port Driver**

MAIN CHARACTERISTICS

- **USB host interface**
connection to USB 1.1 or USB 2.0 hosts possible (a cable is included)
USB full speed device (12MBit/s)
bus powered (no extra power supply needed)
- **RS485**
half duplex communication mode
supports all standard baud rates up to 3Mb/s supported
- **Software**
virtual COM port driver included
can be used with standard terminal programs, e.g. Hyperterminal
- RoHS compliant



ORDER CODE	DESCRIPTION
TMC USB-2-485	USB interface converter (with USB Cable)