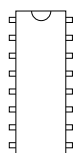


A6821

DABiC-5 8-Bit Serial Input Latched Sink Drivers

Package A
16-pin DIP



Package LW
16-pin Wide Body SOIC



ABSOLUTE MAXIMUM RATINGS

| | |
|--|--------------------------|
| Output Voltage, V_{OUT} | 50 V |
| Logic Supply Voltage, V_{DD} | 7 V |
| Input Voltage Range, V_{IN} | -0.3 V to $V_{DD}+0.3$ V |
| Continuous Output Current (each output), I_{OUT} ... | 500 mA |
| Package Power Dissipation, P_D | |
| A6821SA/A6821EA | 2.1 W |
| A6821SLW | 1.5 W |
| Operating Temperature Range | |
| Ambient Temperature, T_A | -20°C to +85°C |
| Storage Temperature, T_S | -55°C to +150°C |

Caution: CMOS devices have input-static protection, but are susceptible to damage when exposed to extremely high static-electrical charges.

A merged combination of bipolar and MOS technology gives these devices an interface flexibility beyond the reach of standard logic buffers and power driver arrays. Typical applications include driving multiplexed LED displays or incandescent lamps.

The A6821 has an eight-bit CMOS shift register and CMOS control circuitry, eight CMOS data latches, and eight bipolar current-sinking Darlington output drivers.

The CMOS inputs are compatible with standard CMOS logic levels. TTL circuits may require the use of appropriate pull-up resistors. By using the serial data output, the drivers can be cascaded for interface applications requiring additional drive lines.

The A6821SA is furnished in a standard 16-pin plastic DIP. The A6821EA is a 16-pin plastic DIP, capable of operation from -40°C to +85°C. The A6821SLW is a 16-lead wide-body SOIC, for surface-mount applications. These devices are lead (Pb) free, with 100% matte tin plated leadframes.

FEATURES

- 3.3 V to 5 V logic supply range
- Power on reset (POR)
- To 10 MHz data input rate
- CMOS, TTL compatible
- -40°C operation available
- Schmitt trigger inputs for improved noise immunity
- Low-power CMOS logic and latches
- High-voltage current-sink outputs
- Internal pull-up/pull down resistors

APPLICATIONS

- Multiplexed LED displays
- Incandescent lamps



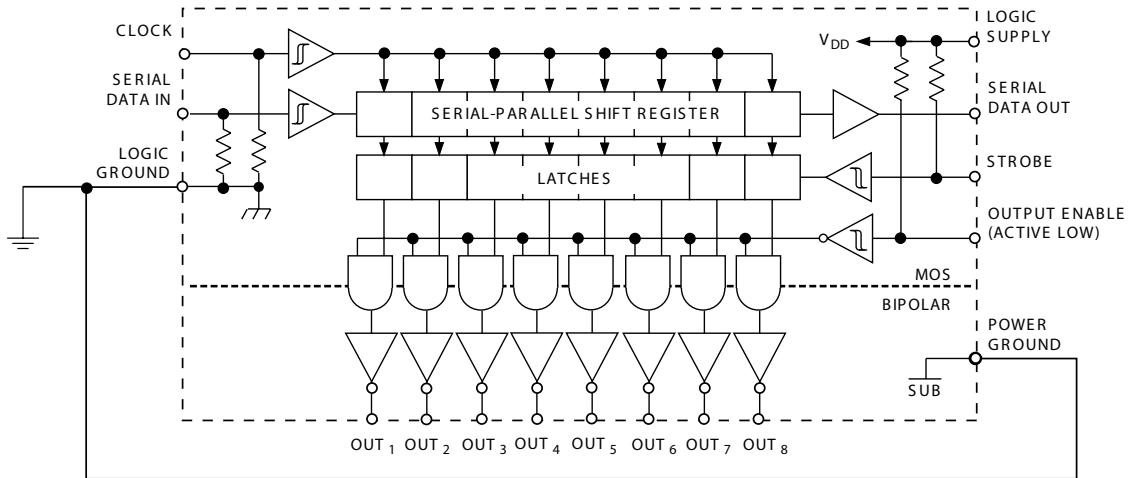
Use the following complete part numbers when ordering:

| Part Number | Package | Ambient |
|-------------|-----------------------|----------------|
| A6821SA-T | 16-pin DIP | -20°C to +85°C |
| A6821EA-T | 16-pin DIP | -40°C to +85°C |
| A6821SLW-T | 16-pin wide body SOIC | -20°C to +85°C |

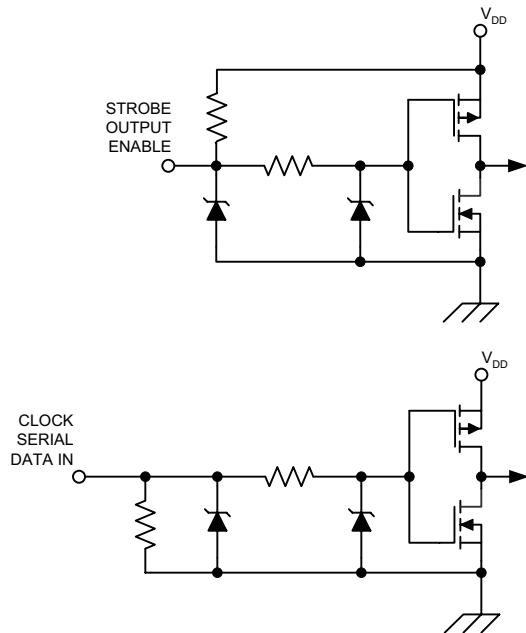


A6821 DABiC-5 8-Bit Serial Input Latched Sink Drivers

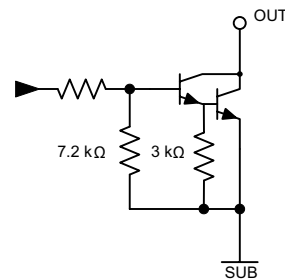
Functional Block Diagram



Typical Input Circuits



Typical Output Driver



A6821

DABiC-5 8-Bit Serial Input Latched Sink Drivers

ELECTRICAL CHARACTERISTICS¹ Unless otherwise noted: $T_A = 25^\circ\text{C}$, logic supply operating voltage $V_{dd} = 3.0\text{V}$ to 5.5V

| Characteristic | Symbol | Test Conditions | $V_{dd} = 3.3\text{V}$ | | | $V_{dd} = 5\text{V}$ | | | Units |
|--------------------------------------|-----------------|--|------------------------|------|------|----------------------|------|------|---------------|
| | | | Min. | Typ. | Max. | Min. | Typ. | Max. | |
| Output Leakage Current | I_{CEX} | $V_{OUT} = 50\text{V}$ | – | – | 10 | – | – | 10 | μA |
| Collector–Emitter Saturation Voltage | $V_{CE(SAT)}$ | $I_{OUT} = 100\text{mA}$ | – | – | 1.1 | – | – | 1.1 | V |
| | | $I_{OUT} = 200\text{mA}$ | – | – | 1.3 | – | – | 1.3 | V |
| | | $I_{OUT} = 350\text{mA}$ | – | – | 1.6 | – | – | 1.6 | V |
| Input Voltage | $V_{IN(1)}$ | | 2.2 | – | – | 3.3 | – | – | V |
| | $V_{IN(0)}$ | | – | – | 1.1 | – | – | 1.7 | V |
| Input Resistance | R_{IN} | | 50 | – | – | 50 | – | – | k Ω |
| Serial Data Output Voltage | $V_{OUT(1)}$ | $I_{OUT} = -200\mu\text{A}$ | 2.8 | 3.05 | – | 4.5 | 4.75 | – | V |
| | $V_{OUT(0)}$ | $I_{OUT} = 200\mu\text{A}$ | – | 0.15 | 0.3 | – | 0.15 | 0.3 | V |
| Maximum Clock Frequency ² | f_c | | 10 | – | – | 10 | – | – | MHz |
| Logic Supply Current | $I_{DD(1)}$ | One output on, OE = L, ST = H | – | – | 2.0 | – | – | 2.0 | mA |
| | $I_{DD(0)}$ | All outputs off, OE = H, ST = H, P1 through P8 = L | – | – | 100 | – | – | 100 | μA |
| Output Enable-to-Output Delay | $t_{dis(BQ)}$ | $V_{CC} = 50\text{V}$, $R_1 = 500\Omega$, $C_1 \leq 30\text{pF}$ | – | – | 1.0 | – | – | 1.0 | μs |
| | $t_{en(BQ)}$ | $V_{CC} = 50\text{V}$, $R_1 = 500\Omega$, $C_1 \leq 30\text{pF}$ | – | – | 1.0 | – | – | 1.0 | μs |
| Strobe-to-Output Delay | $t_{p(STH-QL)}$ | $V_{CC} = 50\text{V}$, $R_1 = 500\Omega$, $C_1 \leq 30\text{pF}$ | – | – | 1.0 | – | – | 1.0 | μs |
| | $t_{p(STH-QH)}$ | $V_{CC} = 50\text{V}$, $R_1 = 500\Omega$, $C_1 \leq 30\text{pF}$ | – | – | 1.0 | – | – | 1.0 | μs |
| Output Fall Time | t_f | $V_{CC} = 50\text{V}$, $R_1 = 500\Omega$, $C_1 \leq 30\text{pF}$ | – | – | 1.0 | – | – | 1.0 | μs |
| Output Rise Time | t_r | $V_{CC} = 50\text{V}$, $R_1 = 500\Omega$, $C_1 \leq 30\text{pF}$ | – | – | 1.0 | – | – | 1.0 | μs |
| Clock-to-Serial Data Out Delay | $t_{p(CH-SQX)}$ | $I_{OUT} = \pm 200\mu\text{A}$ | – | 50 | – | – | 50 | – | ns |

¹Positive (negative) current is defined as conventional current going into (coming out of) the specified device pin.

²Operation at a clock frequency greater than the specified minimum value is possible but not warranted.

Truth Table

| Serial Data Input | Clock Input | Shift Register Contents | | | | | Serial Data Output | Strobe Input | Latch Contents | | | | | Output Enable Input | Output Contents | | | | | |
|-------------------|-------------|-------------------------|-------|-------|-----|-------|--------------------|--------------|----------------|-------|-------|-----|-------|---------------------|-----------------|-------|-------|-----|-------|--|
| | | I_1 | I_2 | I_3 | ... | I_8 | | | I_1 | I_2 | I_3 | ... | I_8 | | I_1 | I_2 | I_3 | ... | I_8 | |
| H | | H | R_1 | R_2 | ... | R_7 | R_7 | | | | | | | | | | | | | |
| L | | L | R_1 | R_2 | ... | R_7 | R_7 | | | | | | | | | | | | | |
| X | | R_1 | R_2 | R_3 | ... | R_8 | R_8 | | | | | | | | | | | | | |
| | | X | X | X | ... | X | X | L | R_1 | R_2 | R_3 | ... | R_8 | | | | | | | |
| | | P_1 | P_2 | P_3 | ... | P_8 | P_8 | H | P_1 | P_2 | P_3 | ... | P_8 | L | P_1 | P_2 | P_3 | ... | P_8 | |
| | | | | | ... | | | | X | X | X | ... | X | H | H | H | ... | H | | |

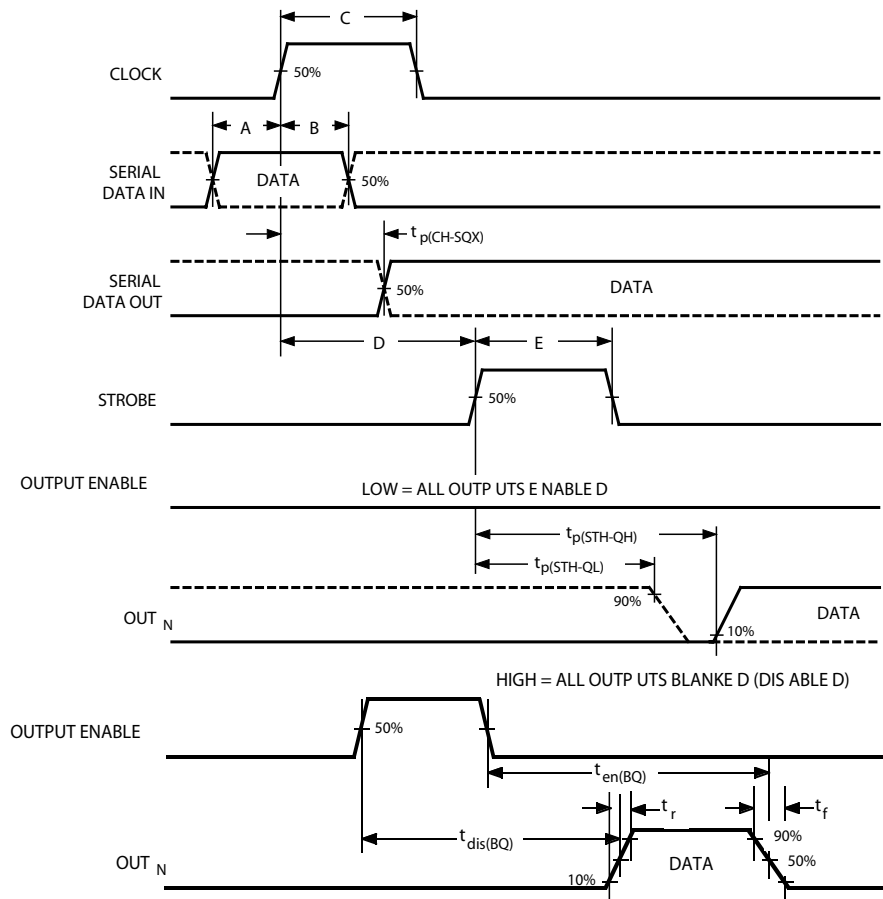
L = Low Logic Level
H = High Logic Level
X = Irrelevant
P = Present State

R = Previous State
OE = Output Enable
ST = Strobe

A6821

DABiC-5 8-Bit Serial Input Latched Sink Drivers

Timing Requirements and Specifications (Logic Levels are V_{DD} and Ground)



| Key | Description | Symbol | Time (ns) |
|-----|--|--------------|-----------|
| A | Data Active Time Before Clock Pulse (Data Set-Up Time) | $t_{su(D)}$ | 25 |
| B | Data Active Time After Clock Pulse (Data Hold Time) | $t_{h(D)}$ | 25 |
| C | Clock Pulse Width | $t_{w(CH)}$ | 50 |
| D | Time Between Clock Activation and Strobe | $t_{su(C)}$ | 100 |
| E | Strobe Pulse Width | $t_{w(STH)}$ | 50 |

NOTE: Timing is representative of a 10 MHz clock. Higher speeds may be attainable; operation at high temperatures will reduce the specified maximum clock frequency.

Powering-on with the inputs in the low state ensures that the registers and latches power-on in the low state (POR).

Serial Data present at the input is transferred to the shift register on the logical 0 to logical 1 transition of the CLOCK input pulse. On succeeding CLOCK pulses, the registers shift data information towards the SERIAL DATA OUTPUT. The SERIAL DATA must appear at the input prior to the rising edge of the CLOCK input waveform.

Information present at any register is transferred to the respective latch when the STROBE is high (serial-to-parallel conversion). The latches will continue to accept new data as long as the STROBE is held high. Applications where the latches are bypassed (STROBE tied high) will require that the OUTPUT ENABLE input be high during serial data entry.

When the OUTPUT ENABLE input is high, all of the output buffers are disabled (OFF). The information stored in the latches or shift register is not affected by the OUTPUT ENABLE input. With the OUTPUT ENABLE input low, the outputs are controlled by the state of their respective latches.

A6821

DABiC-5 8-Bit Serial Input Latched Sink Drivers

Maximum Allowable Duty Cycle, $I_{OUT} = 200 \text{ mA}$, $V_{DD} = 5 \text{ V}$

| Number of Outputs ON | Ambient Temperature | | | | |
|------------------------|---------------------|------|------|------|------|
| | 25°C | 40°C | 50°C | 60°C | 70°C |
| A6821SA/A6821EA | | | | | |
| 8 | 90% | 79% | 72% | 65% | 57% |
| 7 | 100% | 90% | 82% | 74% | 65% |
| 6 | 100% | 100% | 96% | 86% | 76% |
| 5 | 100% | 100% | 100% | 100% | 91% |
| 4 | 100% | 100% | 100% | 100% | 100% |
| 3 | 100% | 100% | 100% | 100% | 100% |
| 2 | 100% | 100% | 100% | 100% | 100% |
| 1 | 100% | 100% | 100% | 100% | 100% |
| A6821SLW | | | | | |
| 8 | 67% | 59% | 54% | 49% | 43% |
| 7 | 77% | 68% | 62% | 56% | 49% |
| 6 | 90% | 79% | 72% | 65% | 57% |
| 5 | 100% | 95% | 86% | 78% | 68% |
| 4 | 100% | 100% | 100% | 98% | 86% |
| 3 | 100% | 100% | 100% | 100% | 100% |
| 2 | 100% | 100% | 100% | 100% | 100% |
| 1 | 100% | 100% | 100% | 100% | 100% |

Terminal List Table

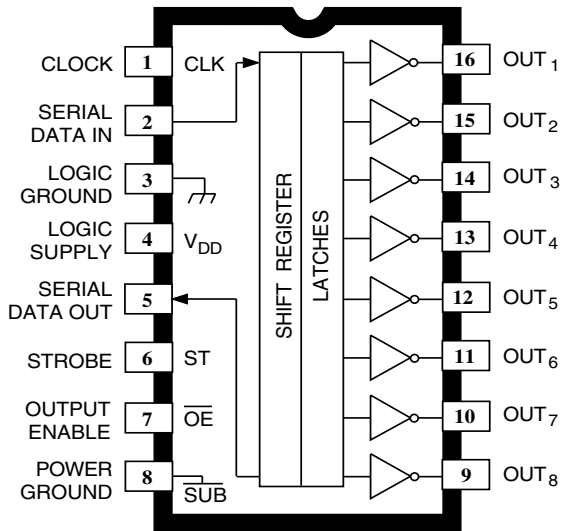
| Name | Description | Pin |
|------------------|----------------------------|-----|
| CLK | Clock | 1 |
| | Serial Data In | 2 |
| | Logic Ground* | 3 |
| VDD | Logic Supply | 4 |
| | Serial Data Out | 5 |
| ST | Strobe | 6 |
| \overline{OE} | Output Enable (active low) | 7 |
| SUB | Power Ground* | 8 |
| OUT ₈ | Serial Data Output | 9 |
| OUT ₇ | Serial Data Output | 10 |
| OUT ₆ | Serial Data Output | 11 |
| OUT ₅ | Serial Data Output | 12 |
| OUT ₄ | Serial Data Output | 13 |
| OUT ₃ | Serial Data Output | 14 |
| OUT ₂ | Serial Data Output | 15 |
| OUT ₁ | Serial Data Output | 16 |

* There is an indeterminate resistance between logic ground and power ground.
For proper operation, these terminals must be externally connected together.

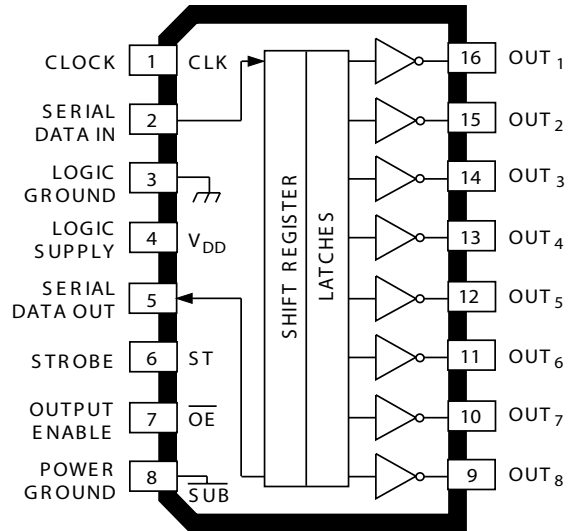
A6821

DABiC-5 8-Bit Serial Input Latched Sink Drivers

Package A
16-pin DIP



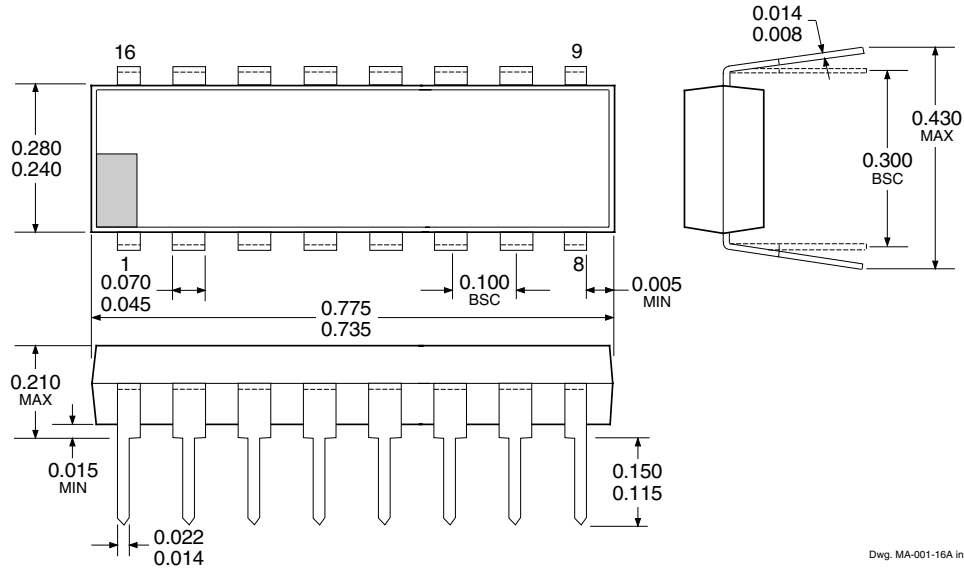
Package LW
16-pin Wide Body SOIC



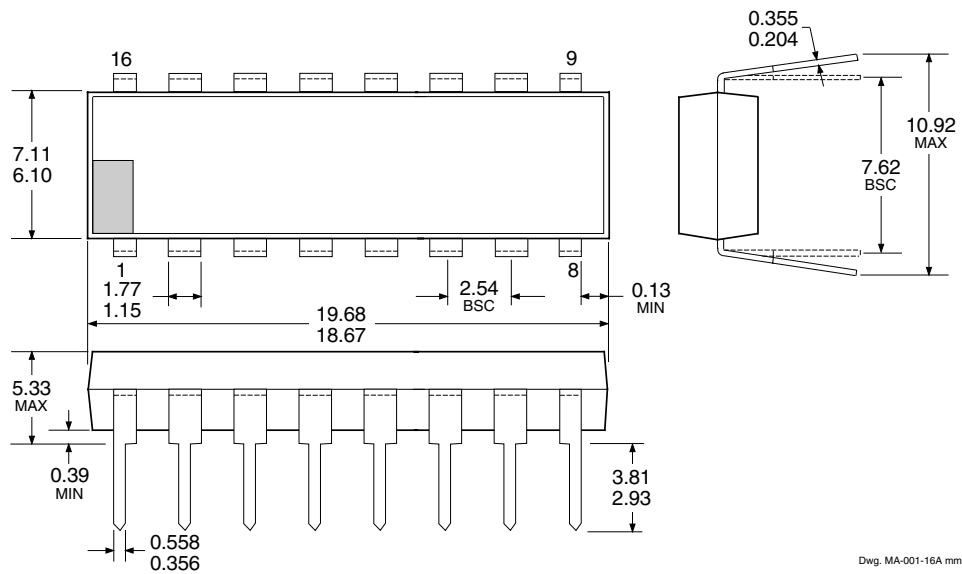
A6821 DABiC-5 8-Bit Serial Input Latched Sink Drivers

Package A 16-pin DIP

Dimensions in Inches
(controlling dimensions)



Dimensions in Millimeters
(for reference only)



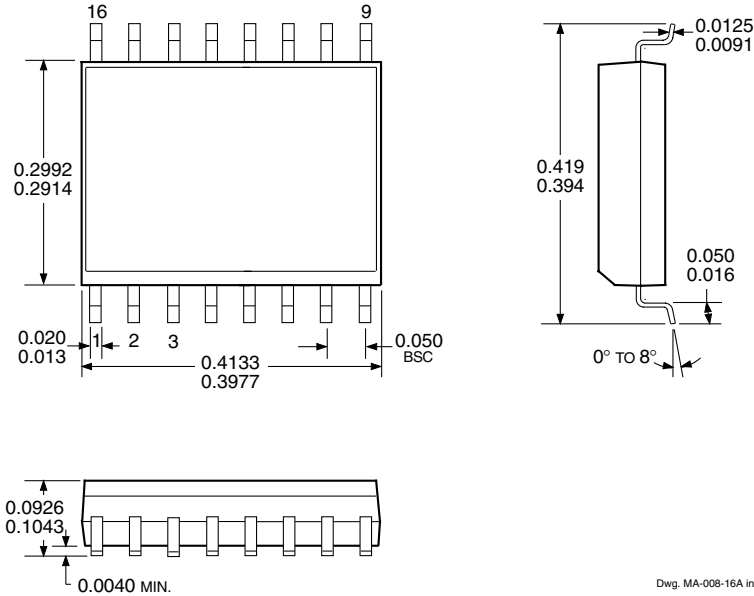
- NOTES: 1. Lead thickness is measured at seating plane or below.
2. Lead spacing tolerance is non-cumulative.
3. Exact body and lead configuration at vendor's option within limits shown.

A6821

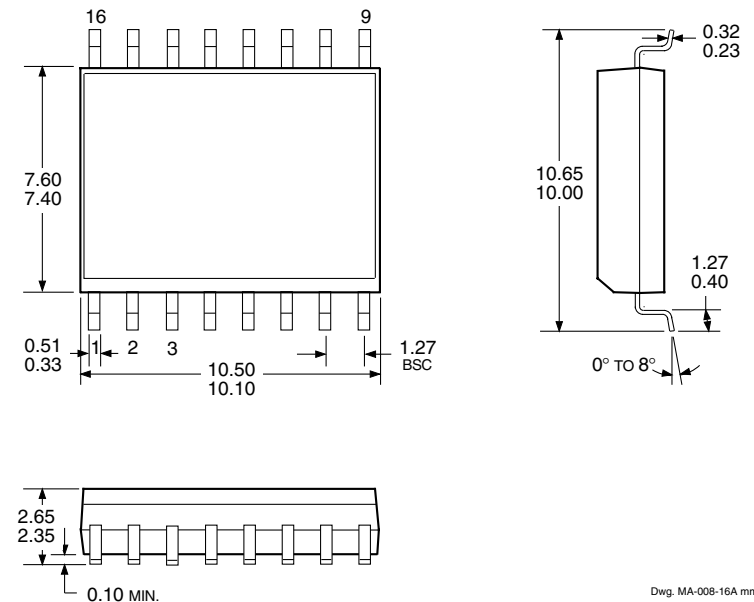
DABiC-5 8-Bit Serial Input Latched Sink Drivers

Package LW
16-pin Wide Body SOIC

Dimensions in Inches
(for reference only)



Dimensions in Millimeters
(controlling dimensions)



- NOTES: 1. Lead spacing tolerance is non-cumulative.
2. Exact body and lead configuration at vendor's option within limits shown.

A6821

DABiC-5 8-Bit Serial Input Latched Sink Drivers

The products described here are manufactured under one or more U.S. patents or U.S. patents pending.

Allegro MicroSystems, Inc. reserves the right to make, from time to time, such departures from the detail specifications as may be required to permit improvements in the performance, reliability, or manufacturability of its products. Before placing an order, the user is cautioned to verify that the information being relied upon is current.

Allegro products are not authorized for use as critical components in life-support devices or systems without express written approval.

The information included herein is believed to be accurate and reliable. However, Allegro MicroSystems, Inc. assumes no responsibility for its use; nor for any infringement of patents or other rights of third parties which may result from its use.

Copyright©2004, 2005 AllegroMicrosystems, Inc.



www.allegromicro.com
115 Northeast Cutoff, Box 15036
Worcester, Massachusetts 01615-0036 (508) 853-5000