

lamp and relay drivers

new

TDE 1797

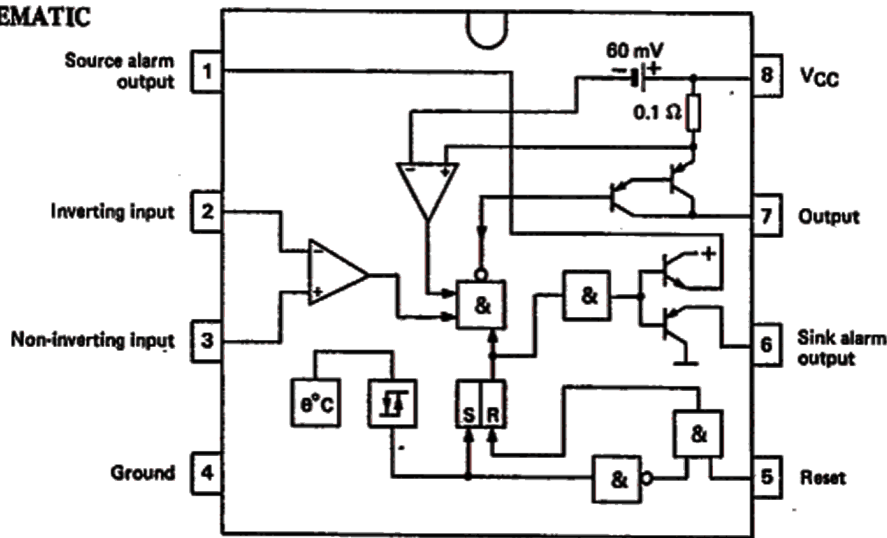
Protected control circuit for industrial equipments



DIL8

- Power switching required by relays or lamps (0.5 A - 35 V)
- Protection of drive circuits while it is itself also protected against output short-circuits.
- Efficiently monitoring of system operation by alarm signal outputs.
- Restart equipment after any fault condition, thanks to the availability of reset input.
- I/O interface.

INTERNAL SCHEMATIC



RELAY AND LAMP DRIVERS ($T_{amb} = +25^{\circ}C$)

CHARACTERISTIC	SYMBOL	UNIT										
Supply voltage	$V_{CC\ max}$	V	36	50	50	50	50	60	50	60	50	36
Output current	$I_{O\ nom}$	mA	300	300	300	300	500	500	300	300	500	150
Input offset voltage	$V_{IO\ max}$	mV	50	50	50	50	50	50	50	50	50	50
Input bias current	$I_{b\ typ}$	μA	0.1	0.1	0.1	0.1	15	15	15	15	15	0.1
Short-circuit current	I_{SC}	mA	500*	500*	500*	500*	900*	900*	500*	500*	800	250*
High level saturation voltage	$(V_{CC}-V_O)_{max}$	V	1.8	1.4	Low 1.5	1.4	1.2	1.2	1.2	1.2	1.25	1.8
Input voltage range	V_{CM}	V	2 to $V_{CC}-2$	2 to $V_{CC}-2$	2 to $V_{CC}-2$	2 to $V_{CC}-2$	1 to 45	1 to 60	1 to 45	1 to 60	1 to 45	2 to $V_{CC}-2$

TDE 1607 TDE 1647 TDE 1737 TDE 1747 TDE 1767 TDE 1767 A TDE 1787 TDE 1787 A TDE 1797 TDE 3207

	●	●	●									Plastic SO 14
	●	●	●	●	●	●	●	●	●	●	●	Plastic DIL 8
	●	●	●	●								6 pin metal can

* External limitation by one resistor