

**Dual Low Side Driver**

**Features**

- Gate drive supply range from 6V to 20V
- CMOS Schmitt-triggered inputs
- Matched propagation delay for both channels
- Outputs in phase with inputs

**Product Summary**

$I_{O+/-}$	1.5A / 1.5A
$V_{OUT}$	6V – 20V
Ton/off (typ.)	85 & 65 ns

**Description**

The IR25600 is a low voltage, high speed power MOSFET and IGBT driver. Proprietary latch immune CMOS technologies enable ruggedized monolithic construction. Logic inputs are compatible with standard CMOS or LSTTL outputs. The output drivers feature a high pulse current buffer stage designed for minimum driver cross-conduction. Propagation delays between two channels are matched.

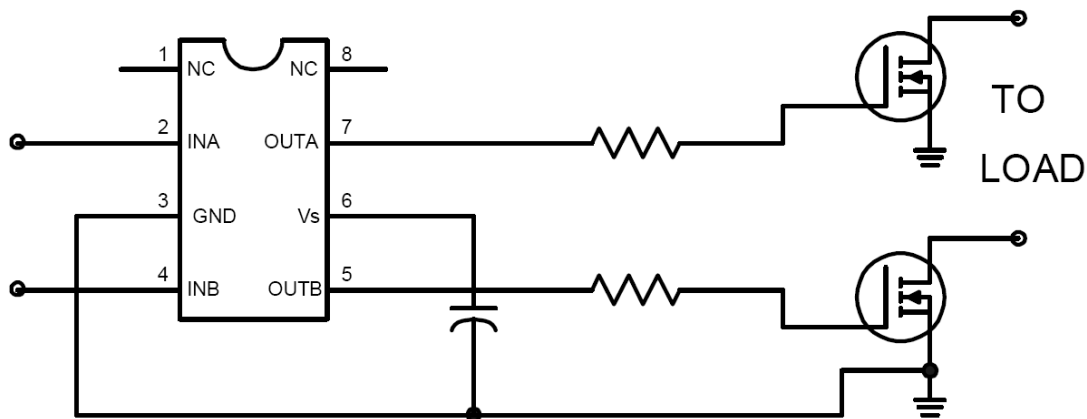
**Package Options**



**Ordering Information**

Base Part Number	Package Type	Standard Pack		Orderable Part Number
		Form	Quantity	
IR25600SPBF	SO8N	Tube	95	IR25600SPBF
IR25600SPBF	SO8N	Tape and Reel	2500	IR25600STRPBF

**Typical Connection Diagram**



## Absolute Maximum Ratings

Absolute maximum ratings indicate sustained limits beyond which damage to the device may occur. All voltage parameters are absolute voltages referenced to GND. The thermal resistance and power dissipation ratings are measured under board mounted and still air conditions.

Symbol	Definition	Min.	Max.	Units
$V_S$	Fixed supply voltage	-0.3	25	V
$V_O$	Output voltage	-0.3	$V_S + 0.3$	
$V_{IN}$	Logic input voltage	-0.3	$V_S + 0.3$	
$P_D$	Package power dissipation @ $T_A \leq +25^\circ\text{C}$	—	0.625	W
$R_{thJA}$	Thermal resistance, junction to ambient	—	200	$^\circ\text{C/W}$
$T_J$	Junction temperature	—	150	$^\circ\text{C}$
$T_S$	Storage temperature	-55	150	
$T_L$	Lead temperature (soldering, 10 seconds)	—	300	

## Recommended Operating Conditions

For proper operation the device should be used within the recommended conditions. All voltage parameters are absolute voltages references to GND.

Symbol	Definition	Min.	Max.	Units
$V_S$	Fixed supply voltage	6	20	V
$V_O$	Output voltage	0	$V_S$	
$V_{IN}$	Logic input voltage (IN & SD)	0	$V_S$	
$T_A$	Ambient temperature	-40	125	$^\circ\text{C}$

### Dynamic Electrical Characteristics

$V_{BIAS} (V_S) = 15V$ ,  $CL = 1000 \text{ pF}$  and  $T_A = 25^\circ\text{C}$  unless otherwise specified.

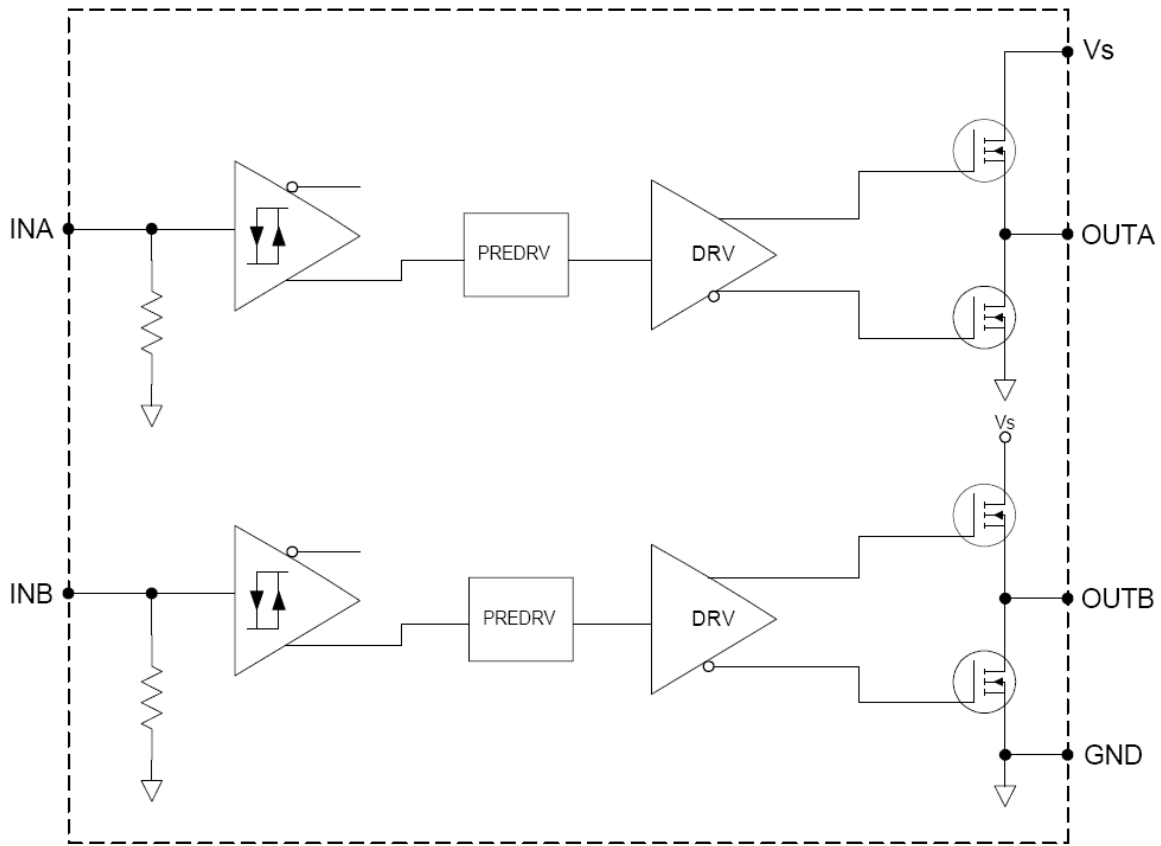
Symbol	Definition	Min.	Typ.	Max.	Units	Test Conditions
$t_{on}$	Turn-on propagation delay	—	85	160	ns	Figure 4
$t_{off}$	Turn-off propagation delay	—	65	150		
$t_r$	Turn-on rise time	—	15	35		
$t_f$	Turn-off fall time	—	10	25		

### Static Electrical Characteristics

$V_{BIAS} (V_S) = 15V$  and  $T_A = 25^\circ\text{C}$  unless otherwise specified. The  $V_{IN}$  and  $I_{IN}$  parameters are referenced to GND and are applicable to input leads INA and INB. The  $V_O$  and  $I_O$  parameters are referenced to GND and are applicable to the respective output leads: OUTA and OUTB.

Symbol	Definition	Min.	Typ.	Max.	Units	Test Conditions
$V_{IH}$	Logic "1" input voltage (OUTA = HI and OUTB = HI)	2.7	—	—	V	
$V_{IL}$	Logic "0" input voltage (OUTA = LO and OUTB = LO)	—	—	0.8		
$V_{OH}$	High level output voltage, $V_{BIAS} - V_O$	—	—	1.2		$I_O = 0A$
$V_{OL}$	Low level output voltage, $V_O$	—	—	0.1		$I_O = 0A$
$I_{QS}$	Quiescent $V_S$ supply current	—	100	200	$\mu A$	$V_{IN} = 0V$ or $V_S$
$I_{IN+}$	Logic "1" input bias current (OUT = HI)	—	5	15		$V_{IN} = V_S$
$I_{IN-}$	Logic "0" input bias current (OUT = LO)	—	-10	-30		$V_{IN} = 0V$
$I_{O+}$	Output high short circuit pulsed current	1.5	2.3	—	A	$V_O = 0V$ , $V_{IN} = V_S$ $PW \leq 10 \mu s$
$I_{O-}$	Output low short circuit pulsed current	1.5	3.3	—		$V_O = 15V$ , $V_{IN} = 0V$ $PW \leq 10 \mu s$

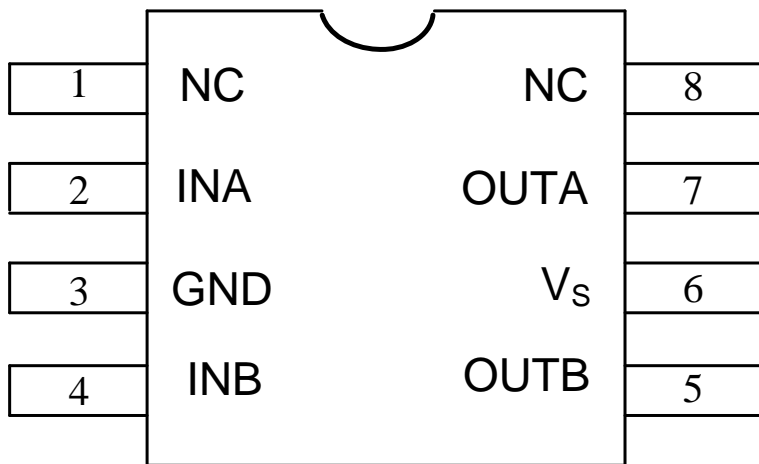
**Functional Block Diagram**



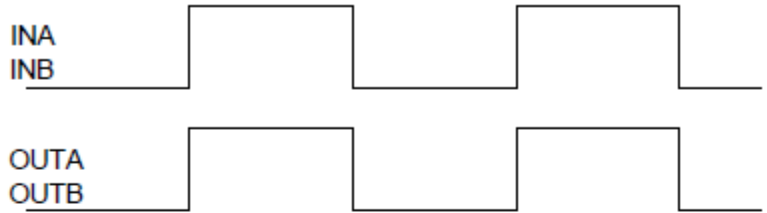
**Lead Definitions**

Symbol	Description
INA	Logic input gate driver output (OUTA), in phase
INB	Logic input gate driver output (OUTB), in phase
OUTA	Gate drive output A
OUTB	Gate drive output B
V <sub>S</sub>	Supply Voltage
GND	Ground

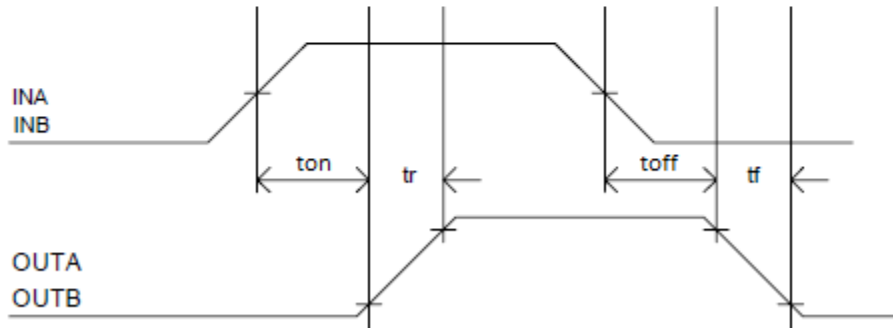
**Lead Assignments**



**Advance information**

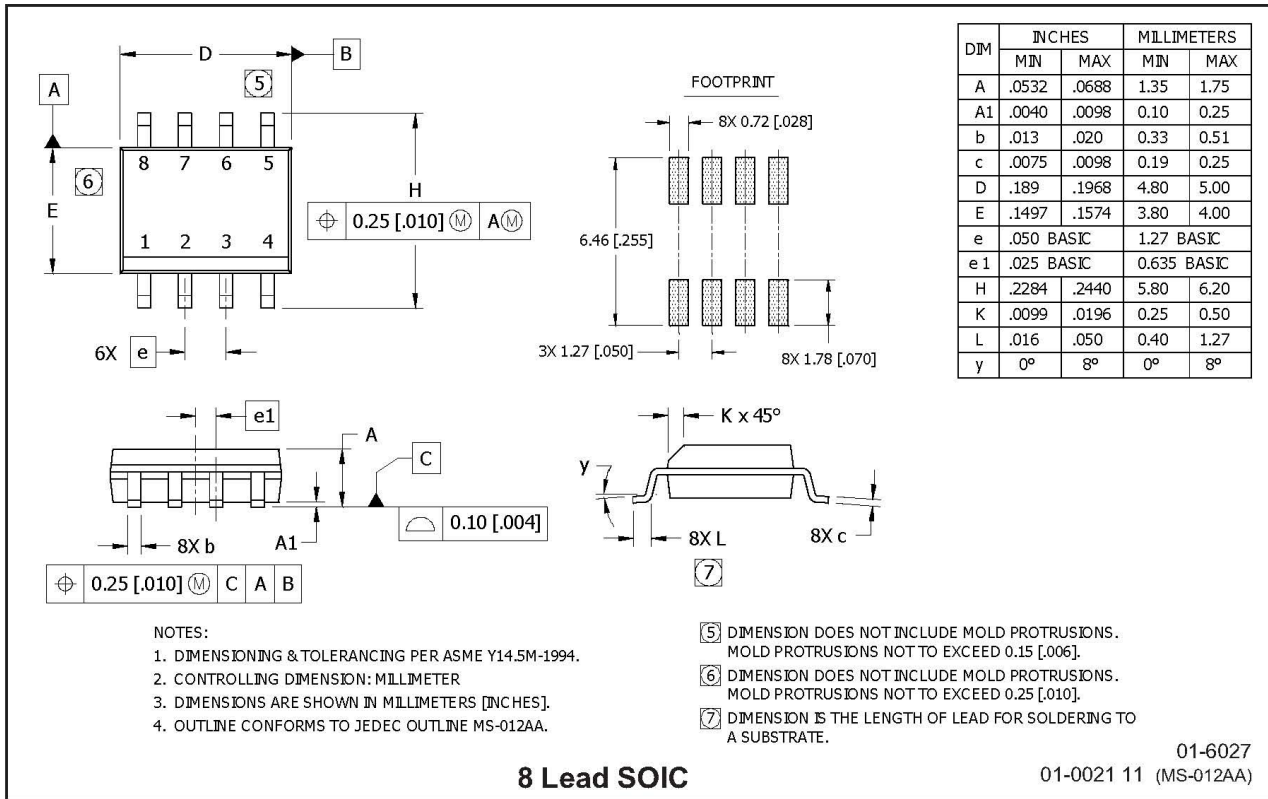


**Figure 3. Timing Diagram**

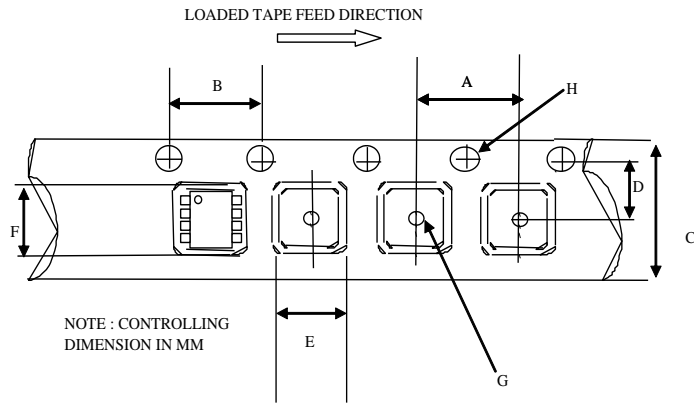


**Figure 4. Switching Time Waveforms**

Downloaded from [Elcodis.com](http://Elcodis.com) electronic components distributor

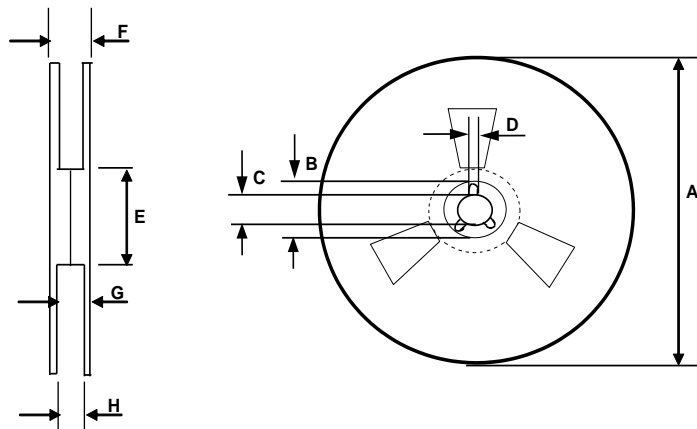
**Package Details**


## Tape and Reel Details (SO8N)



CARRIER TAPE DIMENSION FOR 8SOICN

Code	Metric		Imperial	
	Min	Max	Min	Max
A	7.90	8.10	0.311	0.318
B	3.90	4.10	0.153	0.161
C	11.70	12.30	0.46	0.484
D	5.45	5.55	0.214	0.218
E	6.30	6.50	0.248	0.255
F	5.10	5.30	0.200	0.208
G	1.50	n/a	0.059	n/a
H	1.50	1.60	0.059	0.062



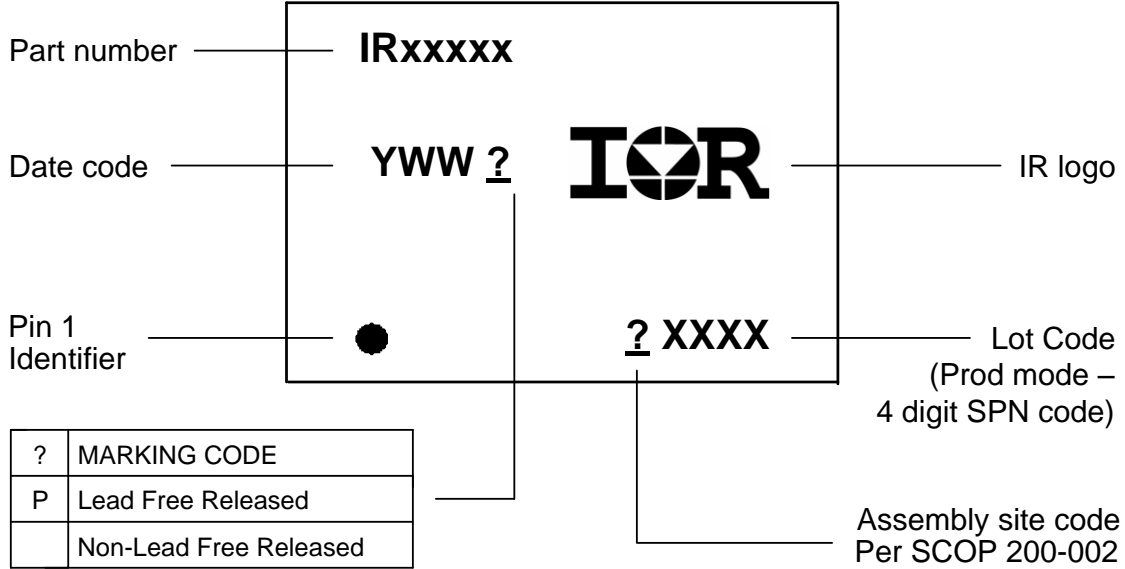
REEL DIMENSIONS FOR 8SOICN

Code	Metric		Imperial	
	Min	Max	Min	Max
A	329.60	330.25	12.976	13.001
B	20.95	21.45	0.824	0.844
C	12.80	13.20	0.503	0.519
D	1.95	2.45	0.767	0.096
E	98.00	102.00	3.858	4.015
F	n/a	18.40	n/a	0.724
G	14.50	17.10	0.570	0.673
H	12.40	14.40	0.488	0.566

Downloaded from [Elcodis.com](http://Elcodis.com) electronic components distributor



**Part Marking Information**



Downloaded from [Elcodis.com](http://Elcodis.com) electronic components distributor

**Qualification Information<sup>†</sup>**

<b>Qualification Level</b>	Industrial <sup>††</sup> (per JEDEC JESD 47E)
	Comments: This family of ICs has passed JEDEC's Industrial qualification. IR's Consumer qualification level is granted by extension of the higher Industrial level.
<b>Moisture Sensitivity Level</b>	MSL2 <sup>†††</sup> (per IPC/JEDEC J-STD-020C)
<b>RoHS Compliant</b>	Yes

- † Qualification standards can be found at International Rectifier's web site <http://www.irf.com/>
- †† Higher qualification ratings may be available should the user have such requirements. Please contact your International Rectifier sales representative for further information.
- ††† Higher MSL ratings may be available for the specific package types listed here. Please contact your International Rectifier sales representative for further information.

The information provided in this document is believed to be accurate and reliable. However, International Rectifier assumes no responsibility for the consequences of the use of this information. International Rectifier assumes no responsibility for any infringement of patents or of other rights of third parties which may result from the use of this information. No license is granted by implication or otherwise under any patent or patent rights of International Rectifier. The specifications mentioned in this document are subject to change without notice. This document supersedes and replaces all information previously supplied.

For technical support, please contact IR's Technical Assistance Center  
<http://www.irf.com/technical-info/>

**WORLD HEADQUARTERS:**  
 233 Kansas St., El Segundo, California 90245  
 Tel: (310) 252-7105